



Tillotson

MANUFACTURING COMPANY

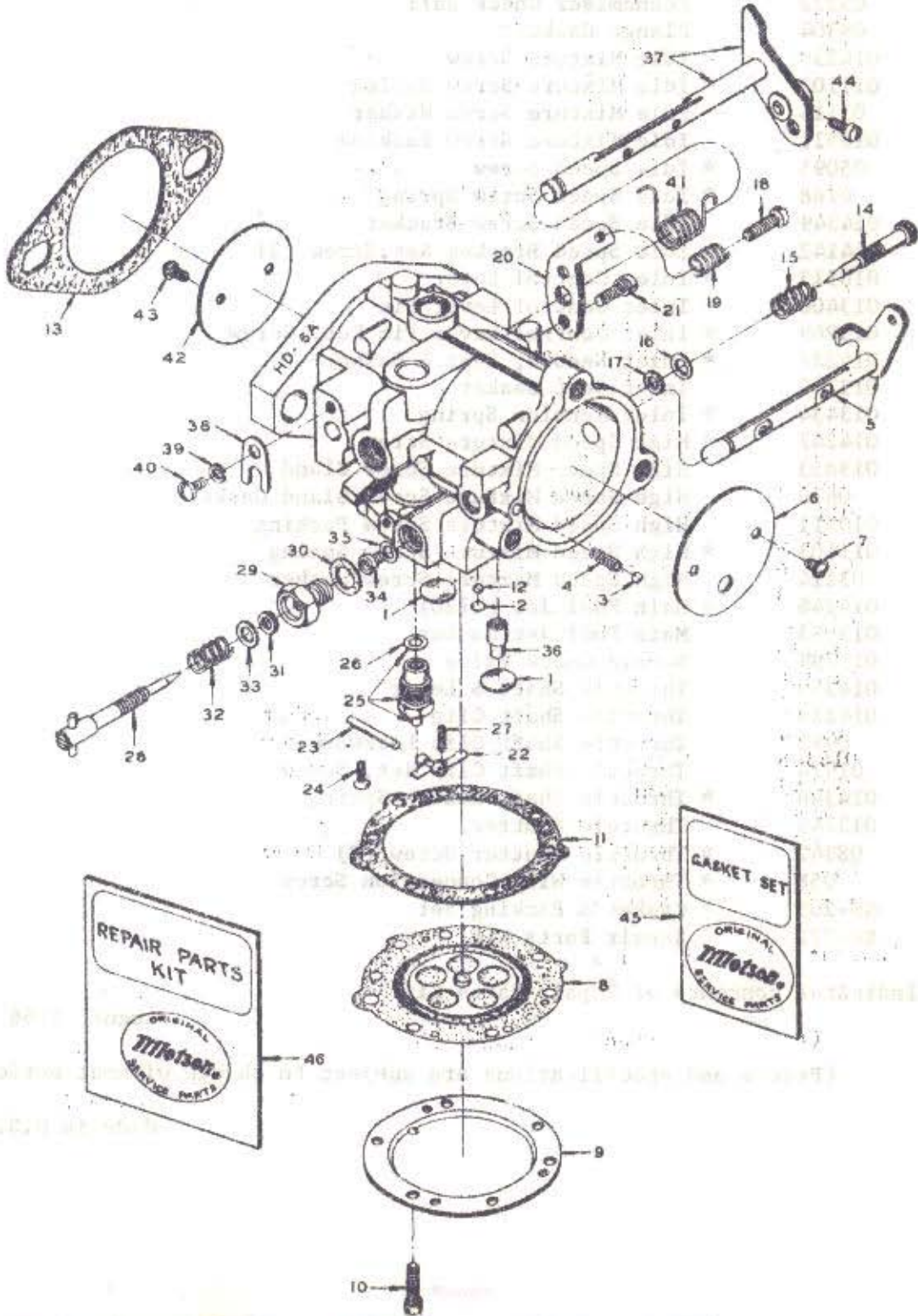
761 BERDAN AVENUE • TOLEDO, OHIO 43612, U. S. A.

MAILING ADDRESS: P. O. BOX 6598

Phone 419 244-6711
CABLE TILLCO

CARBURETOR MODEL: HD-6A
(includes FP-5 Fuel Pump Assembly)

Polaris Industries
Larson Industries



Ref. No.	HD-6A Part No.	Part Name
1	04326	* Body Channel Welch Plug (2)
2	013737	* Body Channel Welch Plug
3	04784	Choke Friction Ball
4	08805	Choke Friction Spring
5	013777	Choke Shaft & Lever
6	014232	Choke Shutter
7	08942	Choke Shutter Screw (2)
8	014248	* Diaphragm
9	014249	Diaphragm Cover
10	014142	Diaphragm Cover Ret. Screw (6)
11	014120	Diaphragm Gasket
12	05322	Economiser Check Ball
13	08304	Flange Gasket
14	014239	* Idle Mixture Screw
15	011103	* Idle Mixture Screw Spring
16	03114	Idle Mixture Screw Washer
17	010511	Idle Mixture Screw Packing
18	05095	* Idle Speed Screw
19	0788	* Idle Speed Screw Spring
20	014349	Idle Speed Screw Bracket
21	014142	Idle Speed Bracket Ret. Screw (2)
22	010513	* Inlet Control Lever
23	013406	* Inlet Control Lever Pin
24	013269	* Inlet Control Lever Pin Ret. Screw
25	014237	* Inlet Needle, Seat & Gasket
26	013744	Inlet Seat Gasket
27	013434	* Inlet Tension Spring
28	014247	* High Speed Mixture Screw
29	013853	High Speed Mixture Screw Gland
30	0676	High Speed Mixture Screw Gland Gasket
31	010511	High Speed Mixture Screw Packing
32	011103	* High Speed Mixture Screw Spring
33	03114	High Speed Mixture Screw Washer
34	014246	* Main Fuel Jet (.120)
35	013683	Main Fuel Jet Gasket
36	013789	Nozzle Check Valve
37	014355	Throttle Shaft & Lever
38	014118	Throttle Shaft Clip
39	0992	Throttle Shaft Clip Lockwasher
40	01974	Throttle Shaft Clip Ret. Screw
41	014348	* Throttle Shaft Return Spring
42	013745	Throttle Shutter
43	08942	* Throttle Shutter Screw (2)
44	058	* Throttle Wire Connection Screw
45	GS-205	* Gasket & Packing Set
46	RK-772	Repair Parts Kit

(*) Indicates contents of Repair Parts Kit

August 1966

(Prices and specifications are subject to change without notice.)

Made in U.S.A.