



Tillotson

MANUFACTURING COMPANY

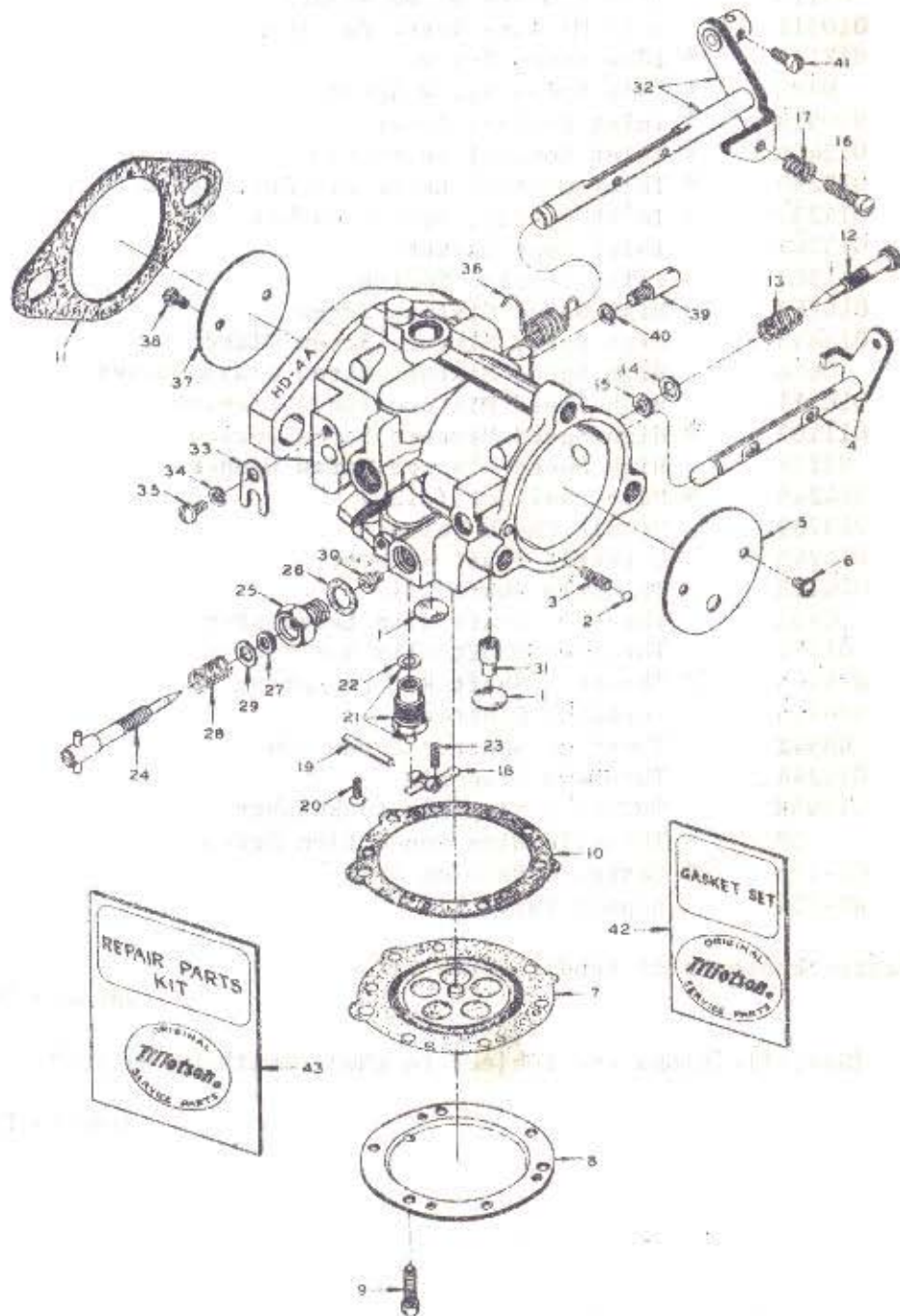
761 BERDAN AVENUE • TOLEDO, OHIO 43612, U. S. A.

MAILING ADDRESS: P. O. BOX 6598

Phone 419 244-6711
CABLE TILCO

CARBURETOR MODEL: HD-4A
(includes FP-6 Fuel Pump Assembly)

Rotax-Werk (made in Austria)
Bombardier



Ref. No.	HD-4A Part No.	Part Name
1	04326	* Body Channel Welch Plug (2)
2	04784	Choke Friction Ball
3	08805	Choke Friction Spring
4	013777	Choke Shaft & Lever
5	014232	Choke Shutter
6	08942	Choke Shutter Screw (2)
7	014248	* Diaphragm
8	014249	Diaphragm Cover
9	014142	Diaphragm Cover Ret. Screw (6)
10	014120	Diaphragm Gasket
11	08304	Flange Gasket
12	014239	* Idle Mixture Screw
13	011103	* Idle Mixture Screw Spring
14	03114	Idle Mixture Screw Washer
15	010511	Idle Mixture Screw Packing
16	012177	* Idle Speed Screw
17	0788	* Idle Speed Screw Spring
18	010513	* Inlet Control Lever
19	013406	* Inlet Control Lever Pin
20	013269	* Inlet Control Lever Pin Ret. Screw
21	014237	* Inlet Needle, Seat & Gasket
22	013744	Inlet Seat Gasket
23	011503	* Inlet Tension Spring
24	014247	* High Speed Mixture Screw
25	013853	High Speed Mixture Screw Gland
26	0676	High Speed Mixture Screw Gland Gasket
27	010511	High Speed Mixture Screw Packing
28	011103	* High Speed Mixture Screw Spring
29	03114	High Speed Mixture Screw Washer
30	014246	* Main Fuel Jet (.120)
31	013789	Nozzle Check Valve
32	014243	Throttle Shaft & Lever
33	014118	Throttle Shaft Clip
34	0992	Throttle Shaft Clip Lockwasher
35	01974	Throttle Shaft Clip Ret. Screw
36	014115	* Throttle Shaft Return Spring
37	013745	Throttle Shutter
38	08942	* Throttle Shutter Screw (2)
39	014244	Throttle Stop Pin
40	012958	Throttle Stop Pin Lockwasher
41	058	* Throttle Wire Connection Screw
42	GS-198	* Gasket & Packing Set
43	RK-754	Repair Parts Kit

(*) Indicates contents of Repair Parts Kit.

October 1966

(Specifications are subject to change without notice)

Made in U.S.A.