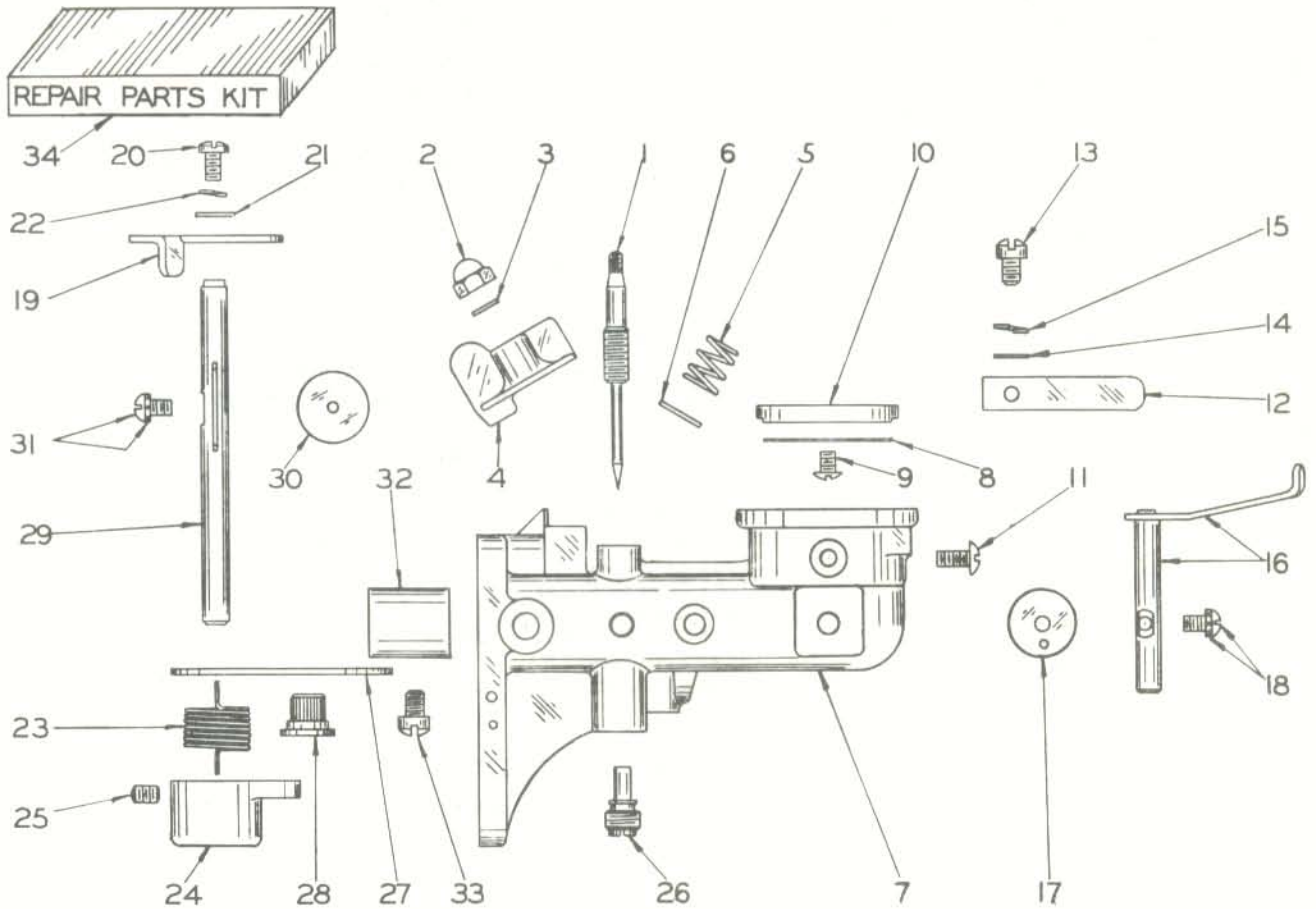


YEARS BUILT: B-8A—1945
B-9A, 10A,—1946—

CARBURETOR MODELS: B-8A
B-9A
B-10A



WHEN ORDERING, PLEASE SPECIFY FULL CARBURETOR MODEL AND COMPLETE PART NUMBER AND NAME.

Ref. No.	No. Req.	B-8A Part No.	B-9A Part No.	B-10A Part No.	Part Name
1	1	*06953	*06953	*06953	Adjustment Screw
2	1	*06924	*06924	*06924	Adjustment Screw Acorn Nut
3	1	*09900	*09900	*09900	Adjustment Screw Acorn Nut Lock-washer
4	1	07360	07360	07360	Adjustment Screw Knob
5	1	* 0737	* 0737	* 0737	Adjustment Screw Spring
6	1	*04742	*04742	*04742	Adjustment Screw Spring Washer
7	1	07798	08039	08043	Body
8	1	None	*05387	None	Check Valve
9	2	None	*06780	None	Check Valve Retaining Screw
10	1	None	08037	None	Check Valve Seat
11	2	None	06303	None	Check Valve Seat Retaining Screw
12	1	07365	07365	07365	Choke Friction Spring
13	1	* 056	* 056	* 056	Choke Friction Spring Screw
14	1	04920	04920	04920	Choke Friction Spring Screw Washer
15	1	0992	0992	0992	Choke Friction Spring Screw Lock-washer
16	1	07387	07387	07387	Choke Shaft and Lever
17	1	07507	07507	07507	Choke Shutter

FUEL STRAINERS



CARBURETORS

Ref. No.	No. Req.	B-8A Part No.	B-9A Part No.	B-10A Part No.	Part Name
18	1	08317	08317	08317	Choke Shutter Screw & Lockwasher
19	1	07363	08321	08321	Governor Lever
20	1	*06804	*06804	*06804	Governor Lever Screw
21	1	05413	05413	05413	Governor Lever Screw Washer
22	1	01675	01675	01675	Governor Lever Screw Lockwasher
23	1	None	*08028	*08028	Governor Spring
24	1	None	06945	06945	Governor Spring Housing
25	1	None	*06969	*06969	Governor Spring Housing Set Screw
26	1	*07797	*07644	*07797	Nozzle
27	1	None	06946	06946	Throttle Lever
28	1	06956	06956	06956	Throttle Ratchet or Governor Lever Bushing
29	1	*06951	*06951	*06951	Throttle Shaft
30	1	07391	07391	07391	Throttle Shutter
31	1	*08317	*08317	*08317	Throttle Shutter Screw & Lockwasher
32	1	07651	07651	07651	Venturi
33	1	056	056	056	Venturi Retaining Screw
34		08067	08068	08069	REPAIR PARTS KIT

(*) Indicates contents of designated REPAIR PARTS KIT.

PART NO. 07642 - FLOAT BOWL COVER & FLOAT ASSEMBLY

(Used by Jacobsen Manufacturing Company in their own make Fuel Bowl Assembly #A-2827, as installed with Tillotson B-9A and B-10A carburetors on their various Power Mowers.)

No. Req.	Part No.	Part Name
1	07646	Float
1	08742	Float Bowl Cover
1	07198	Float Bowl Cover Gasket
2	07460	Float Lever Pin
1	07349	Float Lever, Upper
1	07350	Float Lever, Lower
1	07648	Inlet Needle, Seat & Gasket
1	02817	Inlet Seat Gasket
1	07283	Inlet Connection Screen

PARTIAL ASSEMBLY

07649 Float Bowl Cover Assembly (Without Float)

Note: Crimped end of #07460, Float Lever Pins should be pressed in flush with outside surface of cover bracket or leg.

Revised 4/54