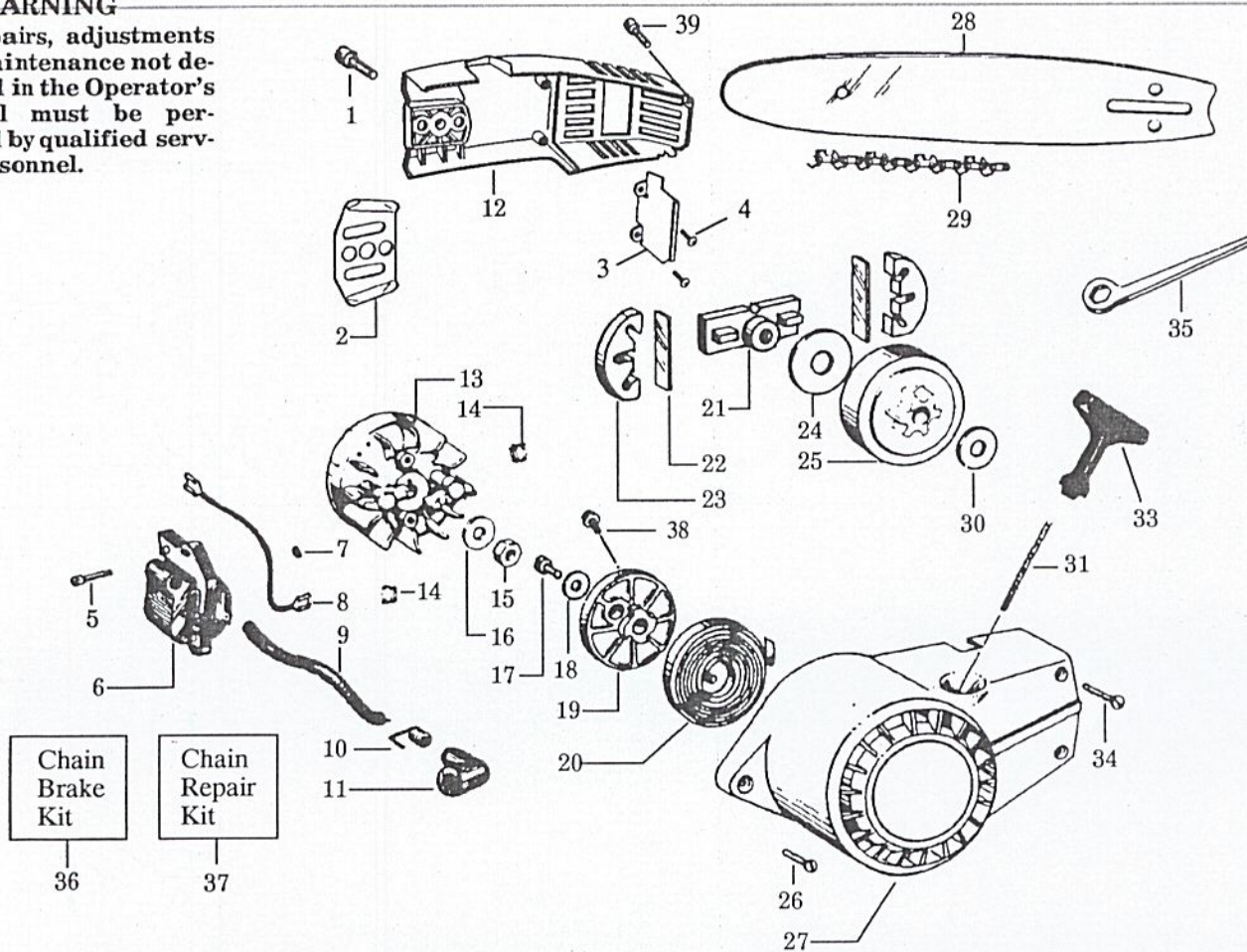


Note: Illustrations may differ from actual models due to design changes.

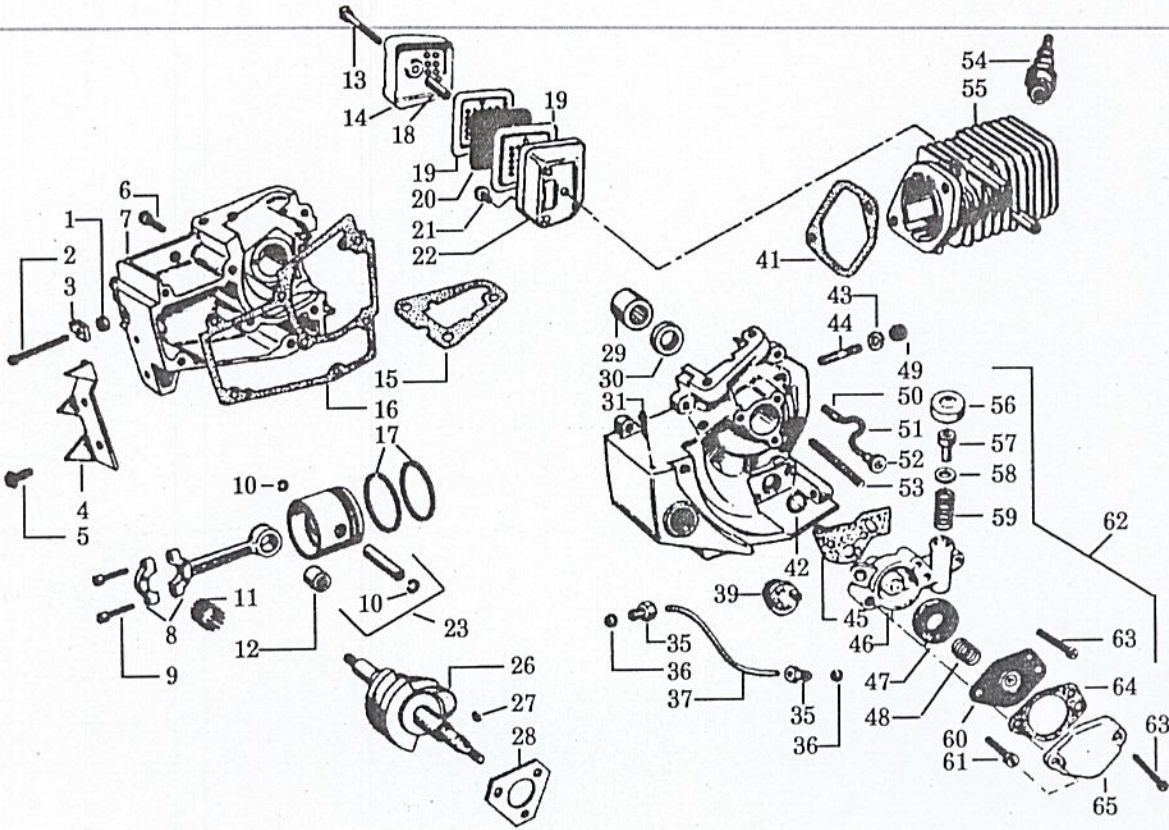
WARNING
All repairs, adjustments and maintenance not described in the Operator's Manual must be performed by qualified service personnel.



KEY NO.	PART NO.	DESCRIPTION	KEY NO.	PART NO.	DESCRIPTION
1	530-015819	Screw	26	530-015074	Screw
2	530-023864	Guide Plate	27	530-011243	Fan Housing
3	530-029260	Baffle	28	952-044369	Bar - 16" SN
4	530-015407	Screw	29	952-051319	Chain - 16" (P101S-56)
5	530-015128	Screw	30	530-023378	Thrust Washer - Clutch
6	530-039088	Ignition Module (Includes 8,9,10 & 11)	31	530-069232	Rope Kit
7	530-015126	Flywheel Key (Also shown as #27, page 2)	33	530-026735	Starter Handle
8	530-039117	Lead-Stop Switch	34	530-015122	Screw
9	530-039026	High Tension Lead (Bulk No. 8141)	35	530-031063	Bar Wrench
10	530-039071	Plug Connector Spring	36	★★★★★	Chain Brake Kit-Service Reference 1
11	530-039097	Spark Plug Boot	37	530-052073	Chain Repair Kit
12	530-029259	Bar Clamp	38	530-015823	Screw
13	530-039111	Flywheel Ass'y.	39	530-015870	Screw
14	530-023817	Starter Dog Spring			
15	530-626605	Nut			
16	530-015127	Washer			
17	530-001724	Screw			
18	530-015123	Washer			
19	530-069289	Starter Pulley			
20	530-042023	Starter Spring			
21	530-022079	Clutch Spider			
22	530-023381	Clutch Springs			
23	530-023379	Clutch Shoes			
24	530-023382	Clutch Plate			
25	-	Drum and Sprocket Ass'y.-6 tooth, 3/8 pitch			
	530-048024	W/bushing			
	530-069301	W/bearing			
			Not Shown		
				530-029360	Bar Clamp Decal
				530-029361	Fan Housing Decal
				530-067623	Operator's Manual
				530-027928	Replacement Bar & Chain Decal
				530-061234	Carton
				530-014172	Carton Contents Bag

✓ = Part Change

*Indicates Engine Gasket Kit Contents

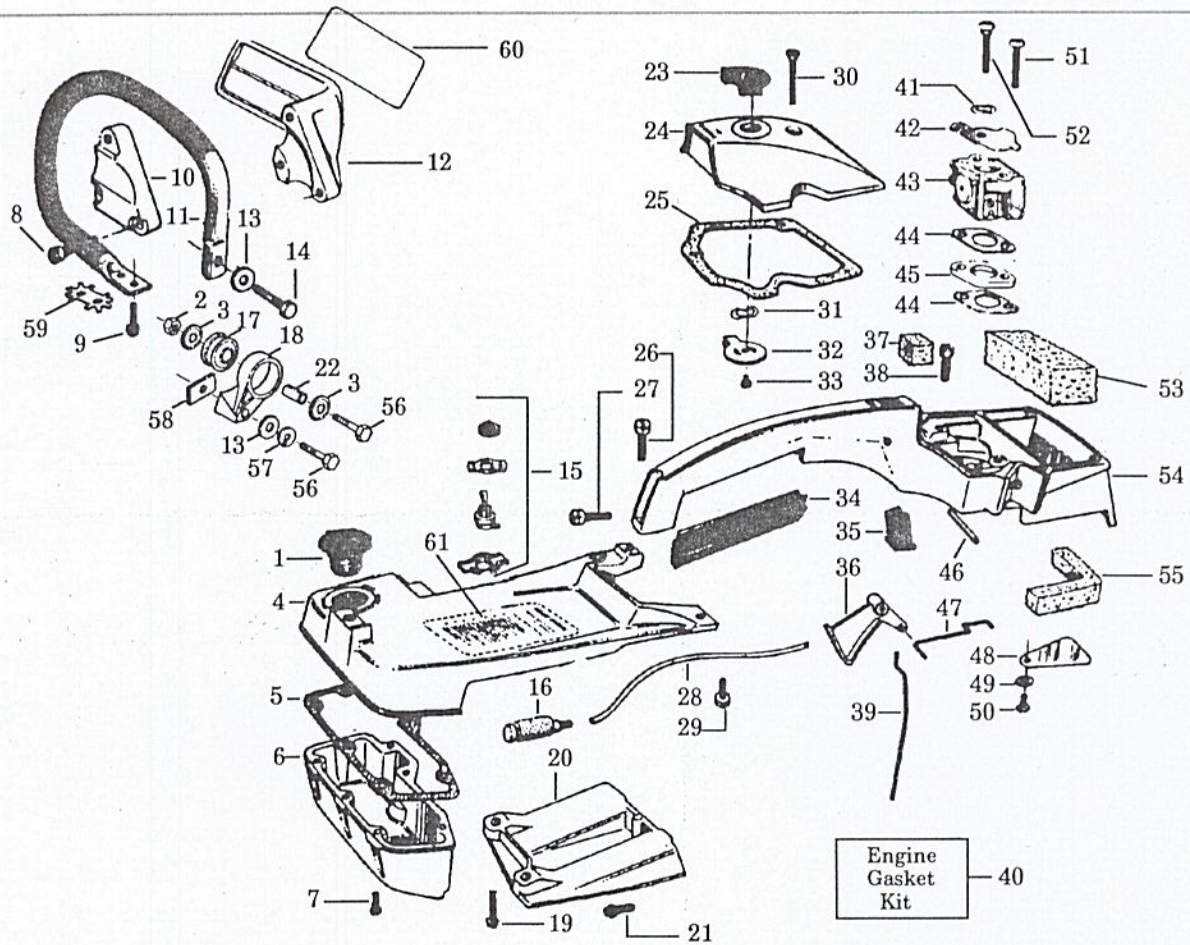


KEY NO.	PART NO.	DESCRIPTION	KEY NO.	PART NO.	DESCRIPTION
1	530-015135	Nut	35	530-002615	Tubing Nut
2	530-015134	Screw	36	530-002464	Ferrule 1/8" Tubing
3	530-023492	Bar Adjusting Pin	37	530-021013	Discharge Line-Oil Pump (Bulk 8115)
4	530-023387	Spur (Optional)	39	530-023874	Oil Cap (Incl. O-Ring)
5	530-015539	Screw	41	* 530-019043	Cylinder Gasket
6	530-015136	Screw	42	530-001952	O-Ring
7	530-010223	Crankcase Ass'y. (Includes 1,2,3,16,29,30,31&44)	43	530-001642	Cylinder Washer
8	530-022077	Connecting Rod Ass'y. (Includes #9&12)	44	530-001674	Cylinder Studs
9	530-001713	Screw	45	* 530-019054	Oil Pump Body Gasket
10	530-015131	Piston Pin Retainer	46	530-010178	Oil Pump Body
11	530-032019	Crankpin Rollers (Strip of 28)	47	* 530-023698	Pump Body Filter
12	530-032018	Piston Pin Bearing	48	530-023699	Diaphragm Spring
13	530-015189	Screw	49	530-001660	Nut
14	530-029271	Muffler Cover	50	530-002589	Oil Pick-up Weight
15	* 530-019049	Gasket-Carburetor Housing to Crankcase	51	530-021012	Oil Line (Bulk 8132)
16	* 530-019044	Crankcase Gasket	52	530-023148	Oil Pump Intake Valve
17	530-029391	Piston Rings	53	530-024677	Oil Line Protector Spring
18	530-015187	Muffler Spacer	54	530-030005	Spark Plug
19	530-029283	Muffler Baffle	55	530-012264	Cylinder
20	530-023592	Muffler Screen	56	530-023356	Oil Pump Cap
21	530-001709	Screw	57	530-023357	Oil Pump Plunger
22	530-023604	Muffler Body	58	* 530-019029	Quad Ring Plunger
23	530-069298	Piston Ass'y. (Incl. #10)	59	530-023358	Oil Pump Spring
26	530-022173	Crankshaft	60	530-022124	Diaphragm Ass'y.
27	530-015126	Flywheel Key	61	530-015114	Screw
28	530-023354	Crankcase Thrust Washer	62	530-010177	Pump Ass'y.
29	530-032021	Bearing	63	530-015137	Screw
30	* 530-019051	Seal	64	* 530-019053	Pump Body Cover Gasket
31	530-069185	Oil Vent Pin Replacement Kit	65	530-011163	Oil Pump Cover

✓ = Part Change

*Indicates Engine Gasket Kit Contents

Note: Illustrations may differ from actual models due to design changes.



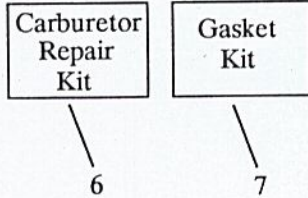
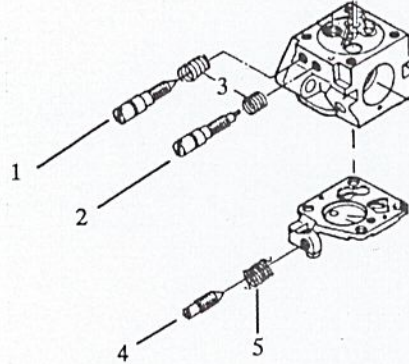
KEY NO.	PART NO.	DESCRIPTION	KEY NO.	PART NO.	DESCRIPTION
1	530-010123	Fuel Cap Ass'y.	31	530-015147	Wave Washer
2	530-015515	Nut	32	530-023876	Choke Lever
3	530-025567	Cup Washer	33	530-015407	Screw
4	530-012259	Fuel Tank Top	34	530-024111	Handle Grip
5	* 530-019047	Fuel Tank Gasket	35	530-023362	Oil Pump Button
6	530-012260	Fuel Tank Bottom	36	530-024672	Trigger
7	530-015138	Screw	37	* 530-023373	Throttle Wire Boot
8	530-015509	Screw	38	530-001636	Screw
9	530-015839	Screw	39	530-023361	Oil Pump Push Rod
10	530-024049	Handguard Cap	40	530-069023	Engine Gasket Kit (*Indicates Contents
11	530-022315	Front Handlebar	41	530-015146	Wave Washer
12	530-024091	Handguard	42	530-023841	Choke Shutter
13	530-015151	Washer	43	530-035265	Carburetor
14	530-015505	Screw	44	* 530-019045	Carburetor Gasket
15	530-002582	Start/Stop Switch	45	530-023872	Spacer
16	-	Fuel Pick-Up Ass'y	46	530-015145	Trigger Pin
	530-010739	Felt	47	530-023372	Throttle Rod
	✓ 530-014199	Plastic	48	530-023366	Reed
17	530-025566	Isolator	49	530-023367	Washer
18	530-028691	Isolator Mounting Bracket	50	530-015139	Screw
19	530-015152	Screw	51	530-015257	Screw
20	530-012258	Cylinder Shield	52	530-015256	Screw
21	530-001709	Screw	53	530-023369	Air Filter
22	530-025565	Spacer	54	530-011548	Handle and Carburetor Hsg.
23	530-023376	Choke Knob	55	* 530-023388	Dust Seal
24	530-011558	Carburetor Cover	56	530-015505	Screw
25	* 530-019074	Carb. Cover Gasket	57	530-001642	Lockwasher
26	530-015141	Screw	58	530-024317	Pad
27	530-015247	Screw	59	530-028690	Retainer
28	530-069216	Line Kit (Bulk 8133)	60	530-026849	Handguard Decal
29	530-015476	Screw	61	530-027939	Instruction Decal
30	530-015144	Screw			

✓ = Part Change

*Indicates Engine Gasket Kit Contents

CARBURETOR ASSEMBLY C1Q-W2 #530-035265
C1Q-W2A #530-035265

KEY NO.	PART NO.	DESCRIPTION
1	530-035272	Idle Low Mixture Screw
2	530-035273	High Mixture Screw
3	530-035274	Low/High Mixture Screw Spring
4	530-035275	Idle Adjust Screw
5	530-035276	Idle Adjust Spring
6	-	Carburetor Repair Kit
	530-035269	C1Q-W2
	530-035288	C1Q-W2A
7	530-035270	Gasket/Diaphragm Kit



1. SERVICE REFERENCE:

When using a Chain Brake Kit part number #952-069259 on this model, you must replace the muffler with part number #530-069305.