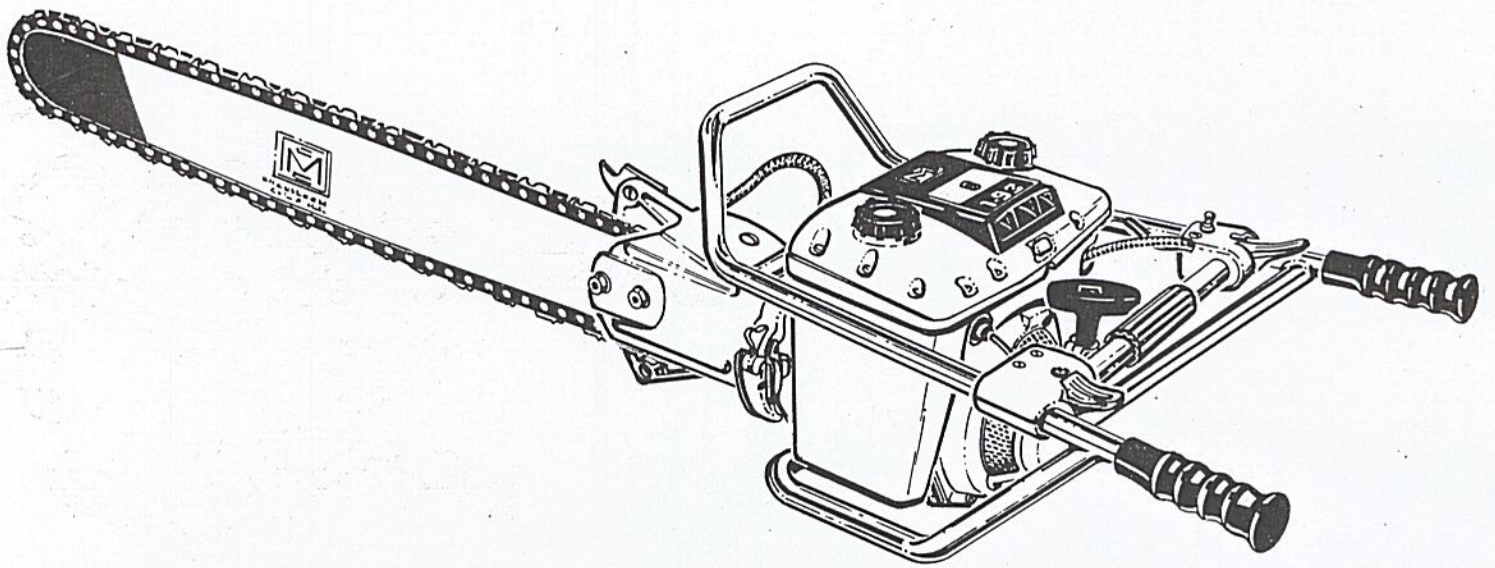


ILLUSTRATED PARTS LIST

JULY 1962



The following pages contain an illustrated parts list for the Model 1-93 Chain Saw. Due to small differences between saws, it is important that the Serial Number of your saw be included whenever spare parts are ordered. This will assure receiving the proper parts from your dealer.

	Page
Figure 1. Model 1-93 Chain Saw	2
Figure 2. Transmission and Sprocket Drive	4
Figure 3. Frame and Control Assembly	6
Figure 4. Fuel and Tank Assembly	8
Figure 5. Powerhead Assembly	10
Figure 6. Clamp, Clutch and Muffler	12
Figure 7. Carburetor and Adapter	14



McCULLOCH CORPORATION
8101 West Century Boulevard,
Los Angeles 45, California

MODEL
1-93

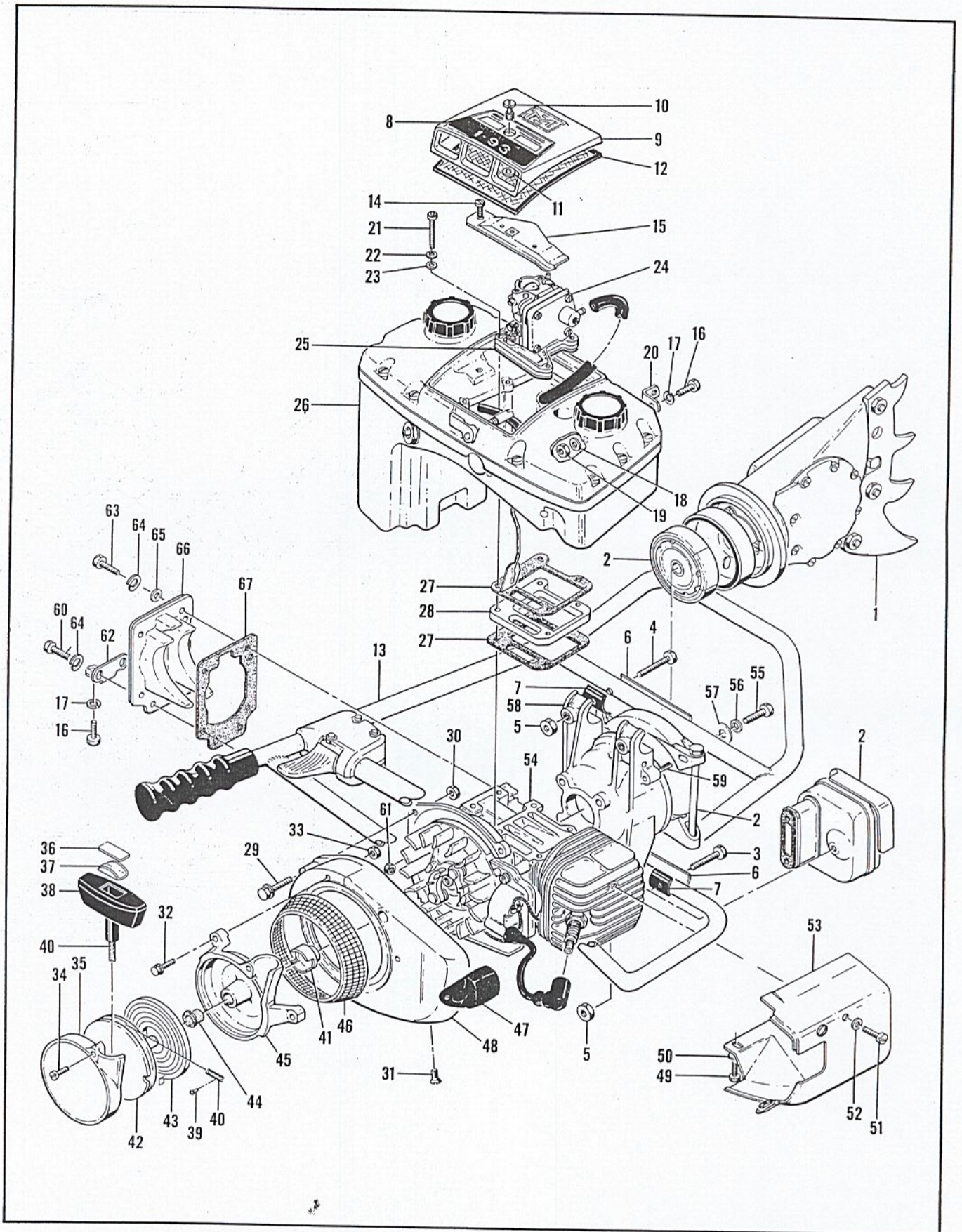


Figure 1. Model 1-92 Chain Saw

FIGURE 1. MODEL 1-93 CHAIN SAW

Index No.	Part Number	Nomenclature	Units Per Assy
1		Transmission and Sprocket Drive (See figure 2)	1
2		Clamp, Clutch and Muffler (See figure 6)	1
3	102130	Screw - Hex hd 1/4-20 x 1-1/2 in. lg	2
4	102125	Screw - Hex hd 1/4-20 x 1-3/4 in. lg	2
5	101143	Nut - Hex 1/4-20	2
6	50215	Clamp - Frame	2
7	50062	Insulator - Frame	4
8	58554	Nameplate	1
9	58199	Cover Assy - Air cleaner	1
10	55032A	. Screw - Air cleaner	1
11	103741	. Speednut	1
12	55498	Filter	1
13		Frame and Control Assy (See figure 3)	1
14	102500	Screw - Pan hd 10-24 x 1/2 in. lg	1
15	58266	Anchor Assy - Air cleaner	1
16	100882	Screw - Hex hd 1/4-20 x 3/4 in. lg	3
17	100153	Lockwasher	3
18	100005	Washer - Plain 1/4 in.	1
19	101143	Nut - Hex 1/4-20	1
20	58344	Brace - Angle	1
21	104560	Screw - Socket hd 10-24 x 1-1/2 in. lg	4
22	100240	Lockwasher - #10	4
23	100002	Washer - Plain	4
24		Carburetor and Adapter (See figure 7)	1
25	58168	Gasket - Carburetor adapter	1
26		Fuel and Oil Tank Assembly (See figure 4)	1
27	58330	Gasket - Fuel tank	2
28	57771B	Insulator - Fuel tank	1
29	104816	Screw - Hex hd 10-24 x 1-1/4 in. lg (SEMS)	3
30	101191	Nut - Hex 10-24	2
31	104002	Screw - Pan hd 10-24 x 1/2 in. lg	1
32	104815	Screw - Hex hd 10-24 x 7/8 in. lg (SEMS)	3
33	101191	Nut - Hex 10-24	3
	57117B	Starter Assy	1
34	104396	. Screw - Pan hd 10-24 x 3/4 in. lg	2
35	57102	. Cover - Starter	1
36	57232	. Plate - Starter handle	1
37	57231	. Cup - Starter handle	1
38	57230	. Handle - Starter	1
39	101136	. Rivet	1
40	28716	. Rope - Starter	1
41	57790	. Ratchet - Starter	1
42	57792	. Drum - Starter	1
43	51665	. Spring - Starter rewind	1
44	57535	. Bushing - Starter base	2
45	57103	. Base - Starter	1
46	50581A	Screen - Sawdust	1
47	57565	Cover Assy - Spark plug	1
48	58314	Fan Housing Assy	1
49	100732	Screw - Hex hd 1/4-20 x 5/8 in. lg	2
50	100005	Washer - Plain 1/4 in.	2
51	104002	Screw - Pan hd 10-24 x 7/8 in. lg	1
52	100003	Washer - Plain	1
53	58320	Shroud Assy - Cylinder	1
54		Powerhead Assy (See figure 5)	1
55	103258	Screw - Hex hd 1/4-20 x 1-1/8 in. lg	4
56	100005	Washer - Plain	4
57	36306	Lockplate	4
58	58229	Housing Assy - Clutch	1
59	102036	. Pin - Roll 1/4 in. dia	2
60	101982	Screw - Hex hd 1/4-20 x 1 in. lg	2
61	101143	Nut - Hex 1/4-20	2

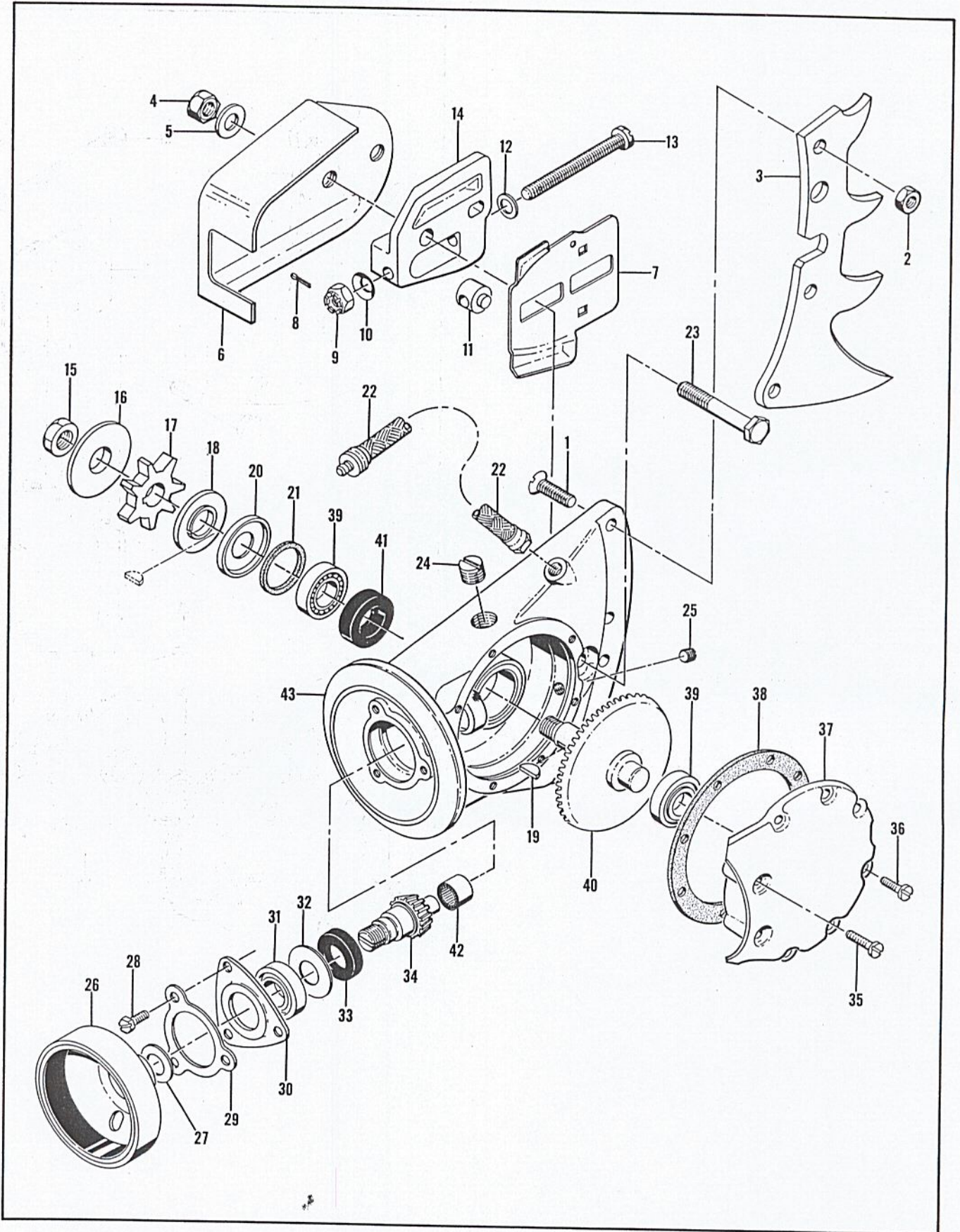


Figure 2. Transmission and Sprocket Drive

FIGURE 1. MODEL 1-93 CHAIN SAW (CONT)

Index No.	Part Number	Nomenclature	Units Per Assy
62	58151	Brace - Fuel tank	1
63	101982	Screw - Hex hd 1/4-20 x 1 in. lg	4
64	100153	Lockwasher - 1/4 in.	4
65	100005	Washer - Plain 1/4 in.	4
66	58139A	Cover - Crankcase bottom	1
67	58166A	Gasket - Crankcase bottom	1

FIGURE 2. TRANSMISSION AND SPROCKET DRIVE

Index No.	Part Number	Nomenclature	Units Per Assy
1	104489	Screw - Flat hd 5/16-18 x 7/8 in. lg	3
2	101330	Nut - Hex 5/16-18	3
3	58191	Spike	1
4	103729	Nut - Hex 3/8-24	2
5	100006	Washer - 3/8 in.	2
6	58127	Guard Assy - Chain	1
7	28066A	Protector - Gearcase	1
	58230	Clamp Assy - Bar adjusting	1
8	100010	. Pin - Cotter 1/16 dia x 1/2 in. lg	1
9	102022	. Nut - Hex 5/16-24	1
10	24260	. Spring - Thrust	1
11	19708	. Nut - Adjusting	1
12	100007	. Washer - 5/16	1
13	102193	. Screw - Adjusting	1
14	58231	. Plate - Bar adjusting	1
15	100836	Nut - Hex 1/2-20	1
16	36862	Shroud - Sprocket (large)	1
17	36791A	Sprocket - 9/16 in. pitch - 7 tooth	1
18	36019A	Shroud - Sprocket (small)	1
19	100256	Key - Woodruff	1
20	19162	Shield - Dust	1
21	36155	Felt - Dust shield	1
22	58223	Line - Quick-disconnect oil	1
	58133	Transmission Assy	1
23	57217	. Bolt - Bar mounting	2
24	101003	. Plug - Pipe	1
25	104218	. Plug - Pipe 3/8 in.	1
26	58134	. Drum Assy - Clutch	1
27	58348	. Spacer - Clutch drum	1
28	102388	. Screw - Hex hd 10-24 x 5/8 in. lg	3
29	58350	. Lockplate	1
30	58349	. Retainer - Bearing	1
31	104422	. Bearing	1
32	58345	. Shim - Pinion 0.003 in. thick	As Req.
	58346	. Shim - Pinion 0.010 in. thick	As Req.
	58347	. Shim - Pinion 0.015 in. thick	As Req.
33	58351	. Seal - Oil	1
34	*	. Pinion	1
35	104397	. Screw - Pan hd 10-24 x 7/8 in. lg	2
36	104395	. Screw - Pan hd 10-24 x 5/8 in. lg	6
37	58124	. Cover - Gearcase	1
38	58193	. Shim - Cover 0.005 in. thick	As Req.
	58207	. Shim - Cover 0.012 in. thick	As Req.
	58208	. Shim - Cover 0.020 in. thick	As Req.
39	103482	. Bearing - Ball	2
40	*	. Gear - Bevel	1
41	102577	. Seal - Oil	1
42	104487	. Bearing - Needle	1
43	58125	. Gearcase	1

*Matched gear set - Order Gear Set #58352.

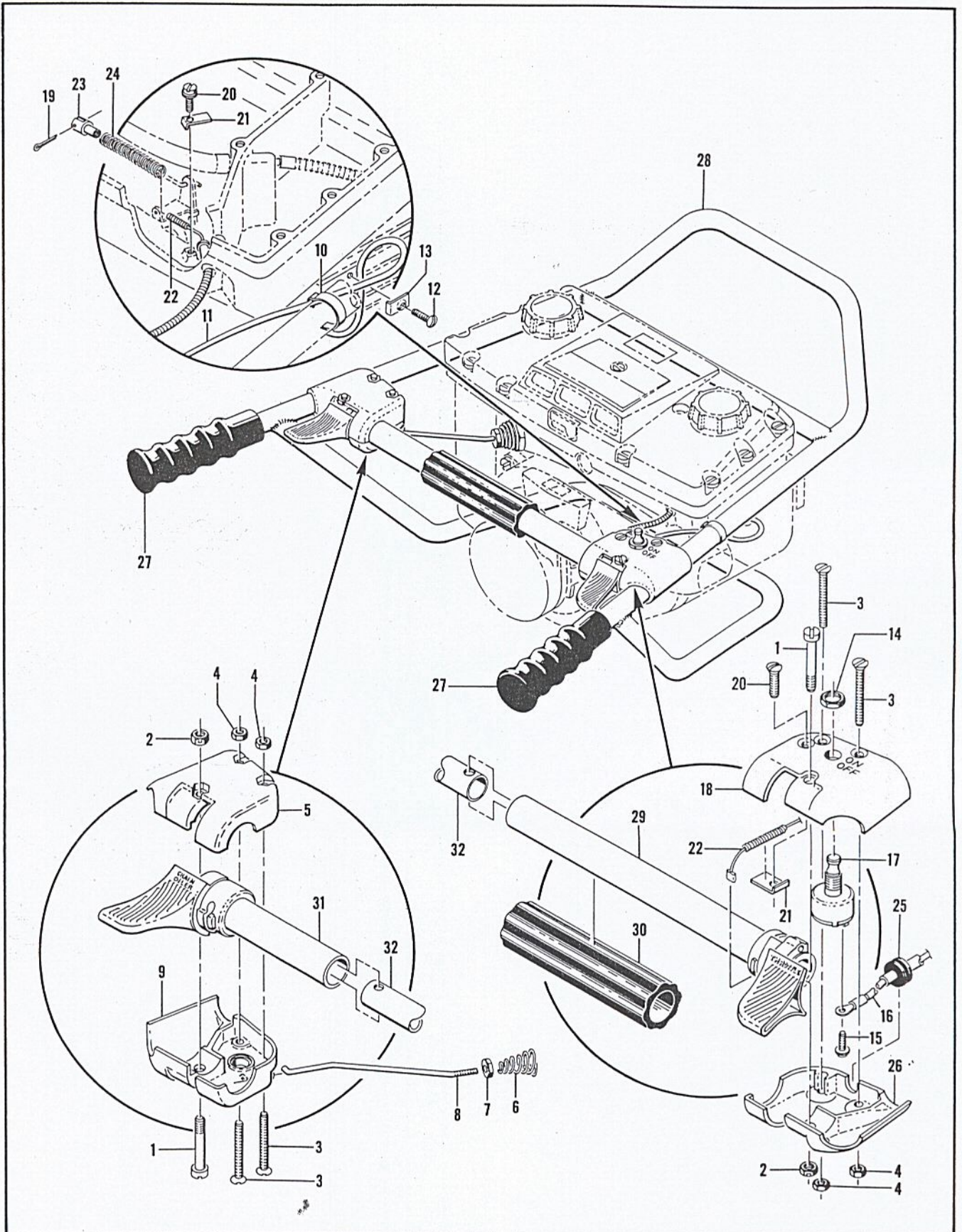


Figure 3. Frame and Control Assembly

FIGURE 3. FRAME AND CONTROL ASSEMBLY

Index No.	Part Number	Nomenclature	Units Per Assy
1	102292	Screw - Fil hd 1/4-20 x 1-1/2 in. lg	2
2	101143	Nut - Hex 1/4-20	2
3	102132	Screw - Flat hd 10-24 x 1-3/4 in. lg	4
4	101326	Nut - Hex 10-24	4
5	24593	Cover - Oiler lever	1
6	58209	Spring - Oiler rod	1
7	104066	Locknut - 10-32	1
8	58157	Pushrod - Oiler	1
9	58260	Cover - Oiler lever	1
10	18909A	Clip - Cable	1
11	58224	Wire Assy - Ignition	1
12	101386	Screw - Oval hd 10-24 x 5/8 in. lg	1
13	24547	Clamp - Boden wire	1
14	104810	Nut - Special	1
15	103934	Screw - 6-32 x 1/4 in. lg (SEMS)	1
16	24182	Wire Assy - Ignition switch	1
17	104809	Switch - Ignition	1
18	58386	Cover - Throttle lever	1
19	101901	Pin - Cotter	1
20	101966	Screw - 10-24 x 1/2 in. lg (SEMS)	1
21	58155	Clamp - Throttle wire	1
22	58225	Wire Assy - Throttle	1
23	18360A	. Clevis - Throttle	1
24	18379A	. Spring - Throttle	1
25	101283	Grommet	1
26	24593	Cover - Throttle lever	1
27	18207A	Grip - Handle	2
28	58194	Frame Assy	1
29	58147	. Lever Assy - Throttle	1
30	18202A	. Grip - Hand	1
31	58146	. Lever Assy - Oiler	1
32	58145	. Crossbar - Frame	1

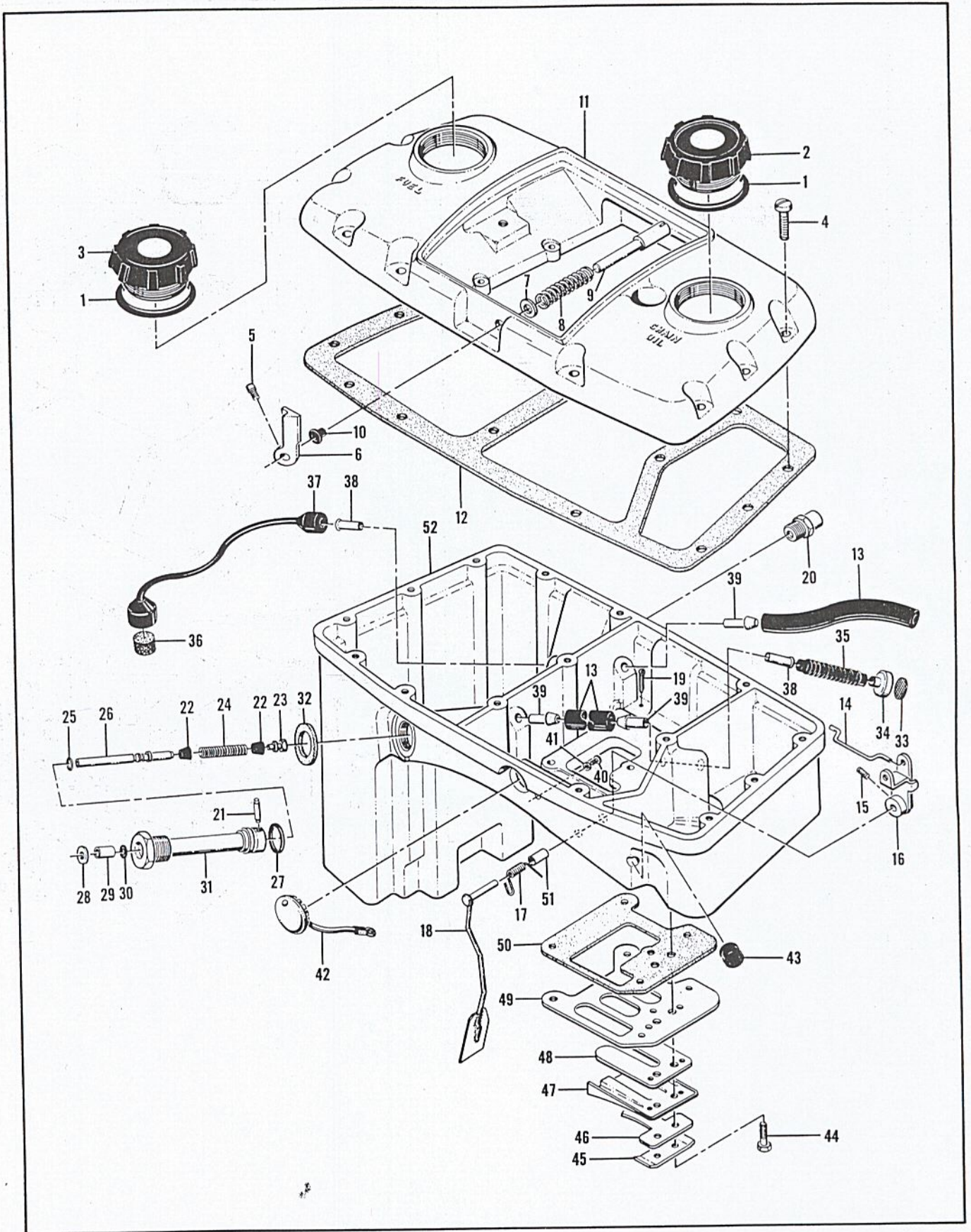


Figure 4. Fuel and Oil Tank Assembly

FIGURE 4. FUEL AND OIL TANK ASSEMBLY

Index No.	Part Number	Nomenclature	Units Per Assy
1	101348	"O" Ring	2
2	55947	Cap and Filter Assy - Oil	1
3	55934A	Cap Assy - Fuel	1
4	104397	Screw - Pan hd 10-24 x 7/8 in. lg	15
5	103183	Screw - Set 5-40	1
6	58222	Lever - Choke	1
7	100644	Washer - Plain 1/4 in.	1
8	19236	Spring	1
9	58218	Extension - Choke shaft	1
10	58237	Grommet	1
11	58137	Cover - Fuel tank	1
12	58173	Gasket - Fuel tank	1
13	58143	Hose - Fuel pickup, Oil pickup	2
14	58258	Rod - Throttle	1
15	104106	Screw - Set 6-32 x 3/16 in. lg	1
16	58250	Lever Assy - Governor arm	1
17	55966	Spring - Governor arm	1
18	58248A	Arm Assy - Governor	1
19	104310	Pin - Cotter	1
20	58219	Fitting Assy - Quick-disconnect	1
	47571	Oil Pump Assy	1
21	24106	. Pin - Pump	1
22	24104	. Cup - Packing	2
23	24105A	. Plug - Pump	1
24	28215	. Spring - Pump	1
25	101258	. "O" Ring	1
26	24983	. Plunger - Pump	1
27	101218	. "O" Ring	1
28	100950	. Washer - Special	1
29	24108	. Seal - Pump	1
30	101056	. "O" Ring	1
31	47553A	. Body Assy - Oil pump	1
32	24120	Gasket - Oil pump	1
33	51506	Screen - Oil pickup	1
34	51509	Weight - Oil pickup	1
35	28007	Hose - Oil pickup	1
36	50124A	Filter - Felt	1
37	50082	Hose - Fuel pickup	1
38	28042	Nipple - Tube	2
39	57590	Nipple - Tube	3
40	110006	Rivet - Rd hd 1/8 x 11/32 in. lg	1
41	101871	Washer - Plain 1/8 in.	1
42	51396A	Cover Assy - Adjustment hole	1
43	101283	Grommet	1
44	103740	Screw - Hex hd 8-32 x 5/8 in. lg	2
45	51480	Lockplate	1
46	57658	Clamp - Reed valve	1
47	57654	Deflector - Fuel	1
48	58399	Valve - Reed	1
49	57656B	Plate - Reed valve	1
50	58328	Gasket - Fuel tank	1
51	58238	Bushing - Governor shaft	1
52	58140	Tank - Fuel and oil	1

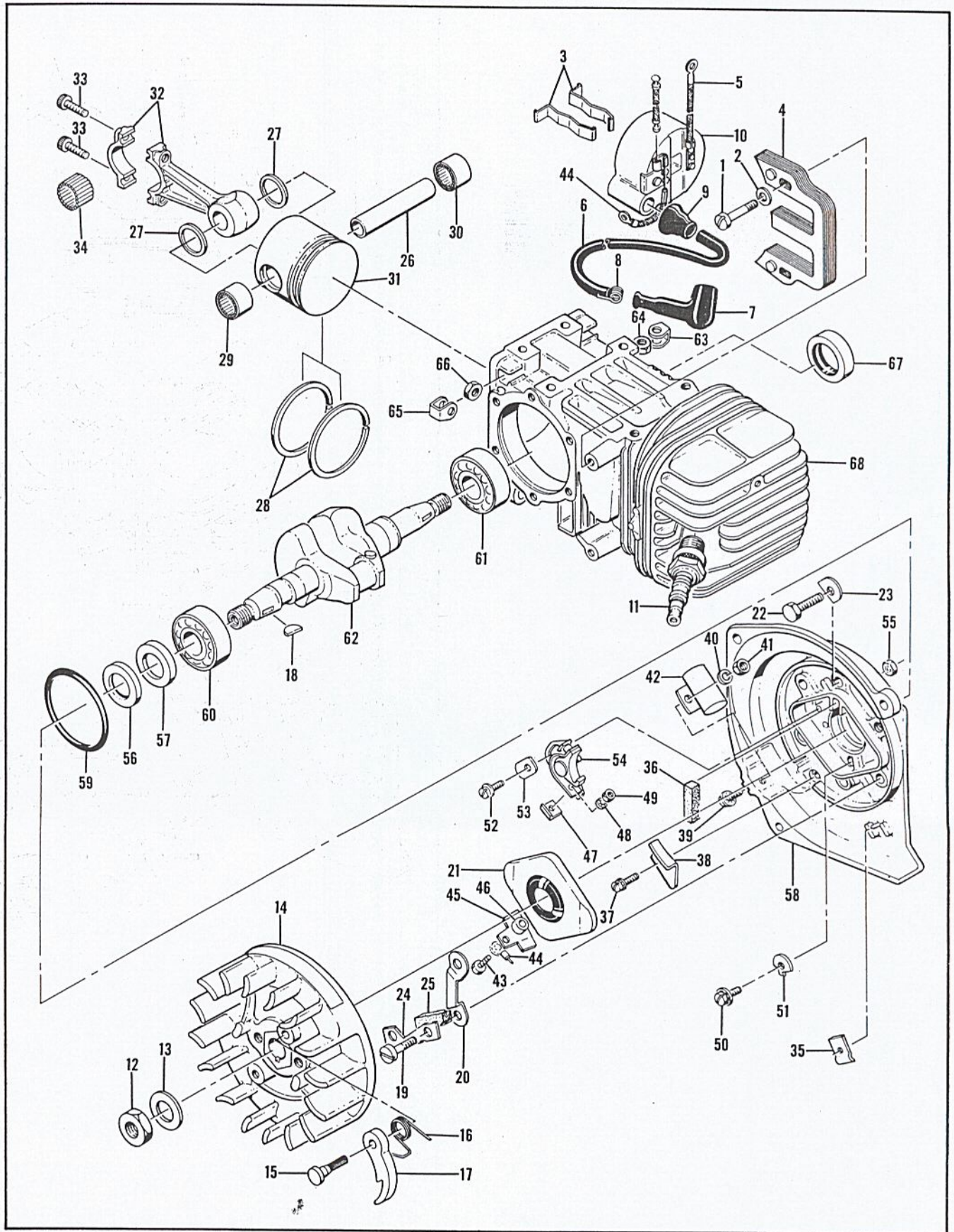


Figure 5. Powerhead Assembly

FIGURE 5. POWERHEAD ASSEMBLY

Index No.	Part Number	Nomenclature	Units Per Assy
1	101965	Screw - Fil hd 10-24 x 7/8 in. lg	2
2	100003	Washer - Plain #10	2
3	51253	Retainer - Coil	2
4	51251	Lamination Assy - Coil	1
	55949A	Coil and Terminal Assy	1
5	101883	Wire Assy - Ground	1
6	52547	Wire Assy - Spark plug	1
7	55060	Boot - Spark plug	1
8	55061	Connector - Spark plug wire	1
9	55617	Nipple - Spark plug wire	1
10		Coil Assy (Order Coil and Terminal Assy #55949A)	1
11		Plug - Spark 14MM	1
12	101179	Nut - Hex 7/16	1
13	101270	Washer - Special	1
14	48785A	Flywheel Assy	1
15	36144B	Pin - Starter pawl	2
16	50582	Spring - Starter pawl	2
17	24093	Pawl - Starter	2
18	103879	Key - Woodruff	1
19	102763	Screw - Hex hd 10-24 x 3/4 in. lg	4
20	55977	Clip - Breaker box cover	2
21	55766B	Cover Assy - Breaker box	1
22	102763	Screw - Hex hd 10-24 x 3/4 in. lg	2
23	36388	Lockplate	1
24	57815	Strap - Seal	1
25	50664	Seal - Breaker box drain	1
26	58132	Pin - Piston	1
27	51209	Washer - Thrust	2
	58356	Piston Assy - Standard (For oversize piston, see page 15)	1
28	58353	Ring Set - Standard piston (For oversize ring set, see page 15)	1
29	101206	Bearing - Needle	1
30	104378	Bearing - Needle (closed end)	1
31		Piston (Order Piston Assy #58356)	1
32	48905	Connecting Rod Assy	1
33	104589	Screw - Socket hd 10-32 x 9/16 in. lg	2
34	102742	Roller - Needle	24
35	104230	Speednut	1
36	54184	Wiper - Felt	1
37	103061	Screw - 8-32 x 3/8 in. lg (SEMS)	1
38	57829	Clamp - Ignition wire	1
39	104733	Screw - Fil hd 8-32 x 1/2 in. lg (SEMS)	1
40	100080	Washer - Plain #8	1
41	100955	Nut - Hex 8-32	1
42	50074	Condenser	1
43	103748	Screw - Hex hd 8-32 x 1/2 in. lg	1
44	57766	Wire Assy - Primary	1
45	55782	Insulator	1
46	57769	Insulator - Ignition screw	1
47	57770A	Insulator - Breaker spring	1
48	104553	Lockwasher - #8	1
49	104551	Nut - Hex 8-32	1
50	104733	Screw - Fil hd 8-32 x 1/2 in. lg (SEMS)	1
51	55778C	Washer - Breaker retainer	1
52	104733	Screw - 8-32 x 1/2 in. lg (SEMS)	1
53	57767A	Lockplate	1
54	57765A	Breaker Assy	1
	57827A	Crankcase Cover Assy	1
55	101326	Nut - Hex 10-24	1
56	57897	Seal - Oil	1
57	57898	Seal - Oil	1
58		Cover (Order Cover Assy #57827A)	1
59	104523	"O" Ring	1



Figure 6. Clamp, Clutch and Muffler

FIGURE 5. POWERHEAD ASSEMBLY (CONT)

Index No.	Part Number	Nomenclature	Units Per Assy
60	100824	Bearing - Ball	1
61	104490	Bearing - Ball	1
62	58128	Crankshaft	1
	58551	Crankcase Assy	1
63	28053	Retainer - Nut	1
64	101326	Nut - Hex 10-24	2
65	18556A	Retainer - Nut	2
66	101143	Nut - Hex 1/4-20	6
67	104486	Seal - Oil	6
68		Crankcase	1

FIGURE 6. CLAMP, CLUTCH AND MUFFLER

Index No.	Part Number	Nomenclature	Units Per Assy
	58181B	Clamp Assy - Transmission	1
1	104488	Bolt - Clamp ring	1
2	100005	Washer - Plain 1/4 in.	1
3	101143	Nut - Hex 1/4-20	2
4	104887	Pin - Grove 1/4 dia x 1 in. lg	1
5	24446	Lever - Clamp ring	1
6	24447	Pin - Clamp ring	1
7	24445	Link - Clamp ring	2
8	58186A	Ring - Lower clamp	2
9	24719	Spring - Latch	1
10	24720	Latch Assy - Clamp ring	1
11	58182	Ring - Upper clamp	1
12	103746	Nut - Flexloc 3/8-24	1
13	104349	Washer - 3/8 in.	1
	48712A	Clutch Assy	1
14	51468A	Spring - Clutch	1
15	51464A	Shoe - Clutch	1
16	48713	Rotor Assy - Clutch	4
17	103879	Key - Woodruff	1
18	102660	Screw - Socket hd 10-24 x 7/8 in. lg	1
19	58574	Muffler Assy	3
20	53651	Washer - Insulator	1
21	53652	Gasket - Muffler	1

FIGURE 7. CARBURETOR AND ADAPTER

Index No.	Part Number	Nomenclature	Units Per Assy
1	104516	Screw - Hex hd 1/4-20 x 5/8 in. lg	2
2	101143	Nut - Hex 1/4-20	2
3	58138	Adapter - Carburetor	1
4	51161C	Gasket - Carburetor	1
	58170A	Carburetor Assy	1
5	104520	Screw - Pan hd 10-24 x 7/8 in. lg (SEMS)	1
	48836	Body Assy - Fuel pump	4
6	104511	Screw - Pan hd 6-32 x 7/8 in. lg	1
7	48851	Seal - Inlet	1
8	48849	Inlet - Fuel	1
9	48838	Gasket - Fuel Inlet	1
10	57277	Filter - Fuel pump	1
11		Body - Fuel pump (Order Body Assy #48836)	1
12	57274A	Diaphragm Assy - Fuel pump	1
13	57272A	Plate - Carburetor diaphragm	1
14	55067C	Diaphragm	1
15	104814	Screw - Pan hd 4-40 x 1/4 in. lg (SEMS)	1
16	50701A	Arm - Throttle shaft	1
17	104570	Screw * Fil hd 8-32 x 1/4 in. lg (SEMS)	1
18	55082	Clip - Carburetor shaft	1
19	104814	Screw - Pan hd 4-40 x 1/4 in. lg (SEMS)	1

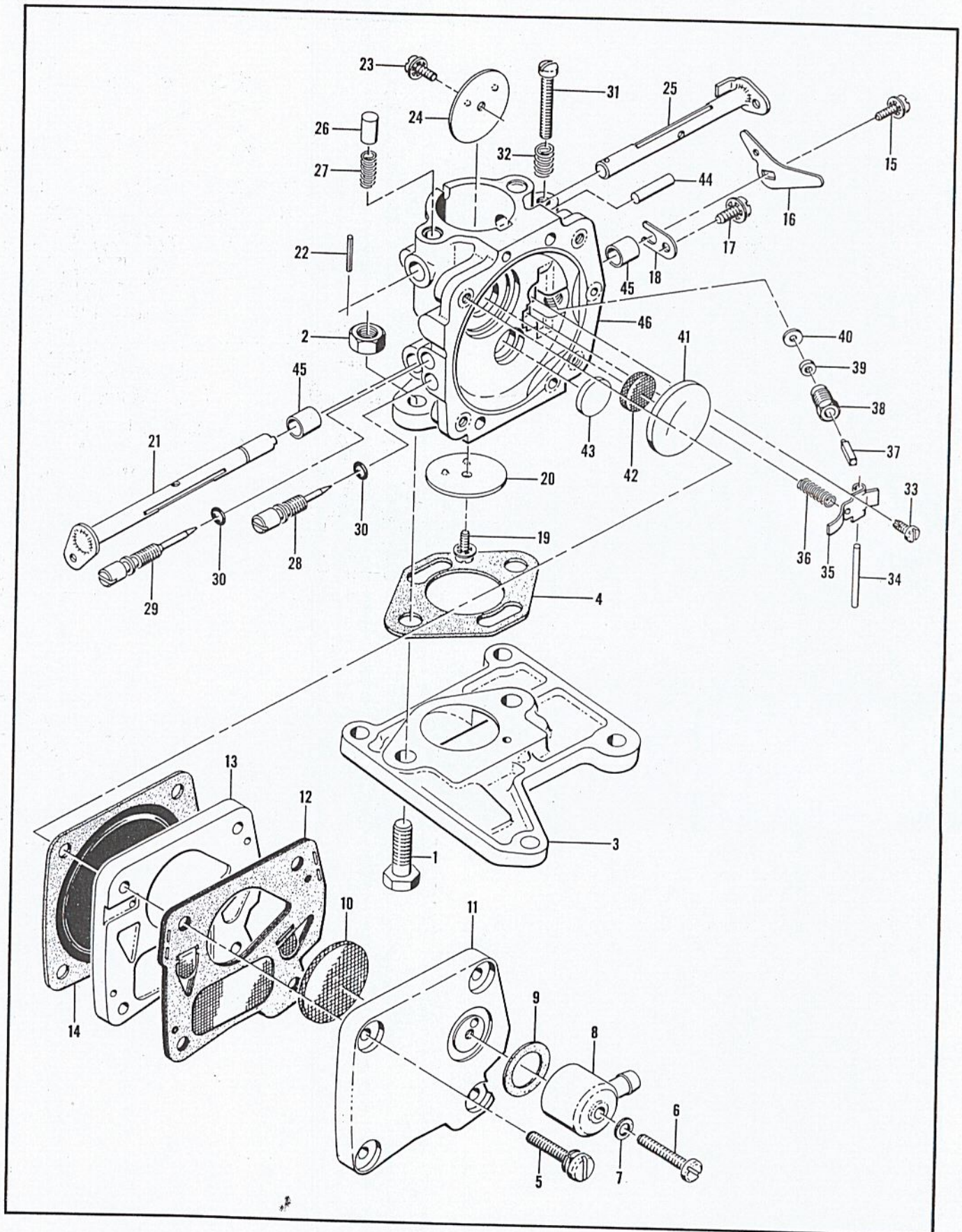


Figure 7. Carburetor and Adapter

FIGURE 7. CARBURETOR AND ADAPTER (CONT)

Index No.	Part Number	Nomenclature	Units Per Assy
20	55085	Plate - Throttle	1
21	58216	Shaft Assy - Throttle	1
22	101500	Pin - Roll 0.062 x 1/2 in. lg	1
23	104814	Screw - Pan hd 4-40 x 1/4 in. lg (SEMS)	1
24	55085	Plate	1
25	58214	Shaft Assy - Choke	1
26	48758	Detent - Carburetor	1
27	48759	Spring - Carburetor detent	1
28	55090	Needle - Idle metering	1
29	57078	Needle - Main metering	1
30	104001	"O" Ring	2
	58368A	Body Assy - Carburetor	1
31	55397	Screw - Fil hd 8-36 x 15/16 in. lg	1
32	51705	Spring - Idle screw	1
33	104164	Screw - Pan hd 4-40 x 1/4 in. lg	1
34	104305	Pin - Inlet control lever	1
35	55688	Lever - Inlet control	1
36	57172	Spring - Inlet control	1
37	55476	Needle - Inlet valve	1
38	55475	Body - Inlet valve	1
39	55474	Seat - Inlet valve	1
40	55689	Washer - Inlet valve	1
41	104407	Plug - Expansion 1 in. dia	1
42	55690B	Seal - Capillary	1
43	102758	Plug - Expansion 1/2 in. dia	1
44	104210	Pin - Groove	1
45	55062A	Bushing - Carburetor body	2
46		Body - Carburetor (Order Body Assy #58368A)	1

ITEMS FURNISHED WITH YOUR SAW

Part Number	Nomenclature
51445A	Wrench and Screwdriver Combination
58552	Owner's Manual of Operating Instructions
56625A	Chain Maintenance Manual
14168A	Wrench - Spark plug

MISCELLANEOUS

Part Number	Nomenclature
56784	Bar Assy - 60 in.
56785	Bar Assy - 50 in.
18413A	Feeler Gauge
58390	Piston Assy - 0.010 in. oversize
58394	Ring Set - 0.010 in. oversize
58355	Piston Assy - 0.020 in. oversize
58354	Ring Set - 0.020 in. oversize
58391	Piston Assy - 0.030 in. oversize
58395	Ring Set - 0.030 in. oversize
36020B	Sprocket - 6 tooth, 1/2 in. pitch
36790A	Sprocket - 6 tooth, 9/16 in. pitch
52069A	Sprocket - 7 tooth, 0.404 in. pitch
36644A	Sprocket - 7 tooth, 1/2 in. pitch
58398	Shim - Transmission Clamp ring 0.030 in. thick
58397	Shim - Transmission Clamp ring 0.015 in. thick