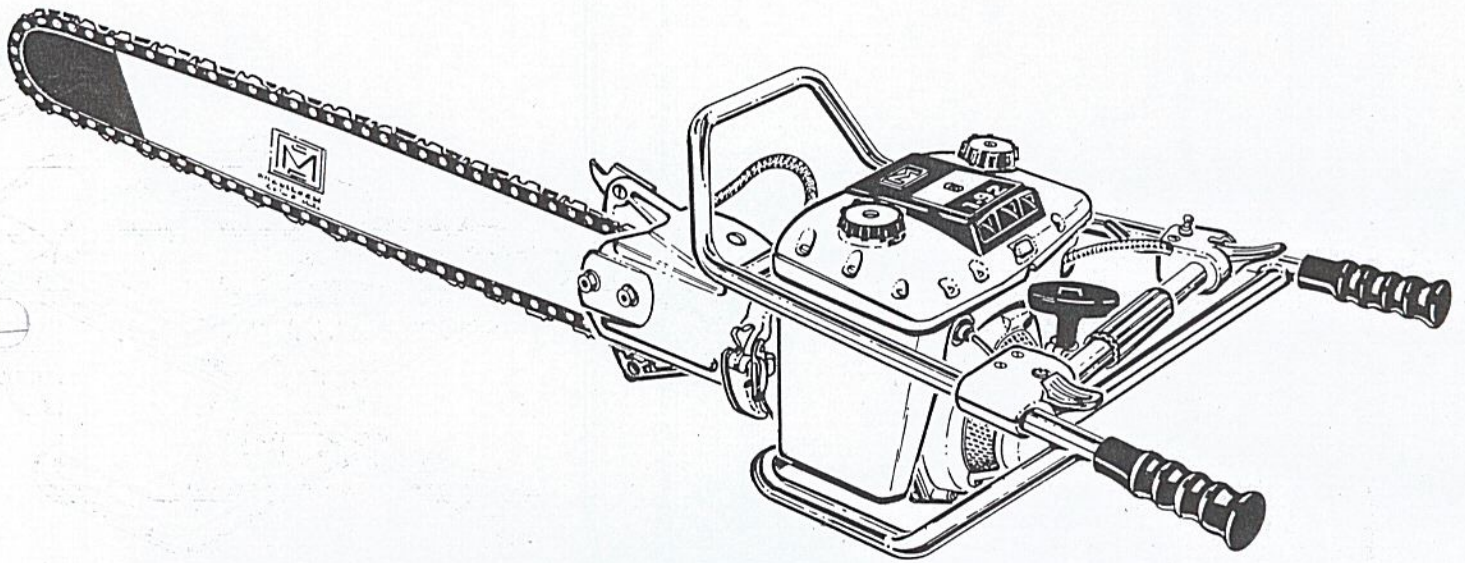


Chain Saw

MODEL 1-92

ILLUSTRATED PARTS LIST

JUNE 1961



The following pages contain an illustrated parts list for the Model 1-92 Chain Saw. Due to small differences between saws, it is important that the Serial Number of your saw be included whenever spare parts are ordered. This will assure receiving the proper parts from your dealer.

	Page
Figure 1. Model 1-92 Chain Saw	2
Figure 2. Transmission and Sprocket Drive	4
Figure 3. Frame and Control Assembly	6
Figure 4. Fuel and Tank Assembly	8
Figure 5. Powerhead Assembly	10
Figure 6. Clamp, Clutch and Muffler	12
Figure 7. Carburetor and Adapter	14



McCULLOCH CORPORATION
6101 West Century Boulevard, Los Angeles 45, California

58205

MODEL
1-92

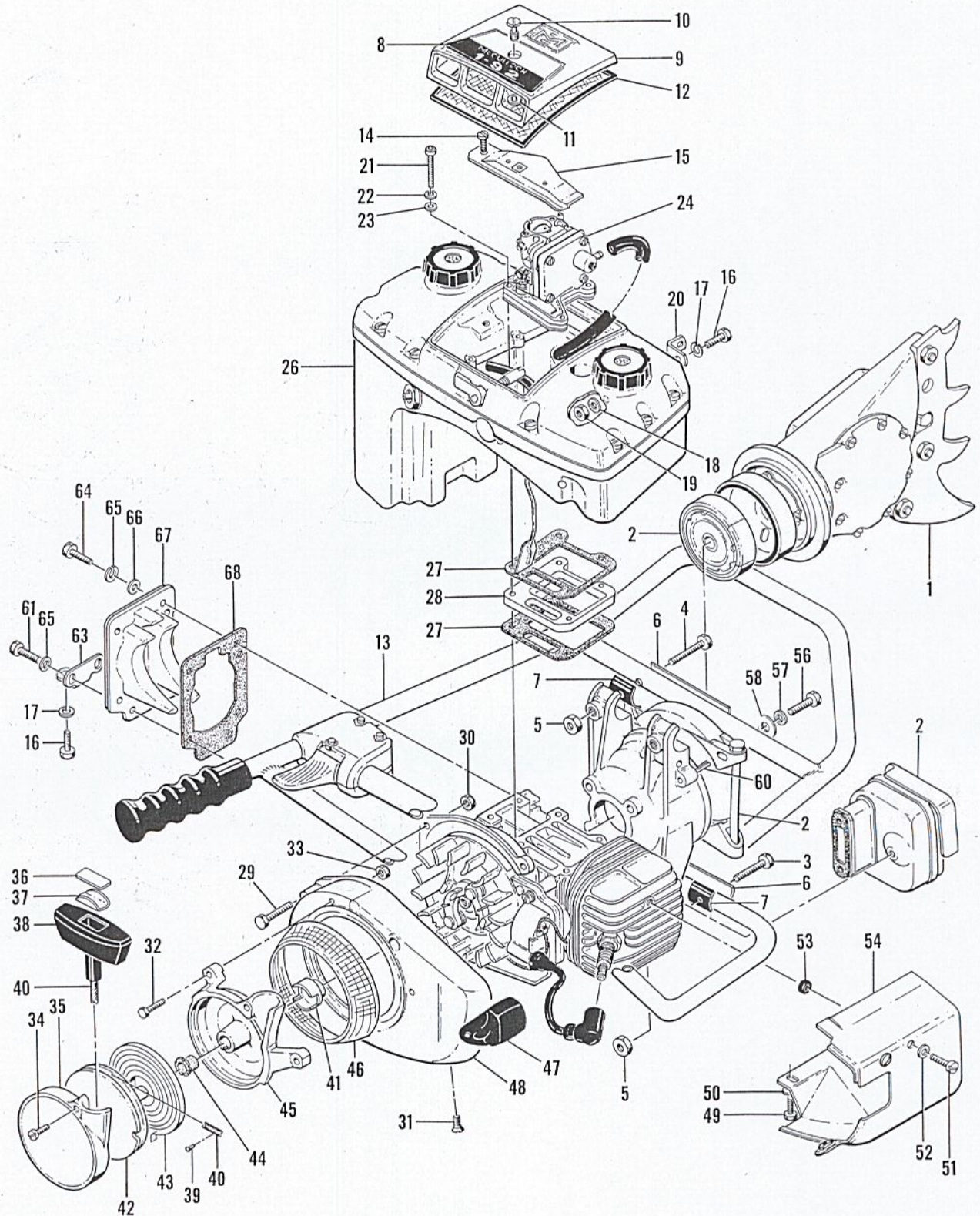


Figure 1. Model 1-92 Chain Saw

FIGURE 1. MODEL 1-92 CHAIN SAW

Index No.	Part Number	Nomenclature	Units Per Assy
1		Transmission and Sprocket Drive (See figure 2)	1
2		Clamp, Clutch and Muffler (See figure 6)	1
3	102130	Screw - Hex hd 1/4-20 x 1-1/2 in. lg	2
4	102125	Screw - Hex hd 1/4-20 x 1-3/4 in. lg	2
5	101143	Nut - Hex 1/4-20	2
6	50215	Clamp - Frame	2
7	50062	Insulator - Frame	4
8	58201	Nameplate	1
9	58199	Cover Assy - Air cleaner	1
10	55032A	. Screw - Air cleaner	1
11	103741	. Speednut	1
12	55498	Filter	1
13		Frame and Control Assy (See figure 13)	1
14	102500	Screw - Pan hd 10-24 x 1/2 in. lg	1
15	58266	Anchor Assy - Air cleaner	1
16	100882	Screw - Hex hd 1/4-20 x 3/4 in. lg	3
17	100153	Lockwasher	3
18	100005	Washer - Plain 1/4 in.	1
19	100143	Nut - Hex 1/4-20	1
20	58344	Brace - Angle	1
21	104560	Screw - Socket hd 10-24 x 1-1/2 in. lg	4
22	100240	Lockwasher - #10	4
23	100002	Washer - Plain	4
24		Carburetor and Adapter (See figure 7)	1
25	58168	Gasket - Carburetor adapter	1
26		Fuel and Oil Tank Assembly (See figure 4)	1
27	58330	Gasket - Fuel tank	1
28	57771	Insulator - Fuel tank	1
29	104503	Screw - Hex hd 10-24 x 1-1/4 in. lg	3
30	101191	Nut - Hex 10-24	2
31	104002	Screw - Pan hd 10-24 x 1/2 in. lg	1
32	104138	Screw - Hex hd 10-24 x 7/8 in. lg	3
33	101191	Nut - Hex 10-24	3
	57117B	Starter Assy	1
34	104396	. Screw - Pan hd 10-24 x 3/4 in. lg	3
35	57102	. Cover - Starter	1
36	57232	. Plate - Starter handle	1
37	57231	. Cup - Starter handle	1
38	57230	. Handle - Starter	1
39	101136	. Rivet	1
40	28716	. Rope - Starter	1
41	57790	. Ratchet - Starter	1
42	57792	. Drum - Starter	1
43	51665	. Spring - Starter rewind	1
44	57535	. Bushing - Starter base	2
45	57103	. Base - Starter	1
46	50581A	Screen - Sawdust	1
47	57565	Cover Assy - Spark plug	1
48	58314	Fan Housing Assy	1
49	100732	Screw - Hex hd 1/4-20 x 5/8 in. lg	2
50	100005	Washer - Plain 1/4 in.	2
51	104397	Screw - Pan hd 10-24 x 7/8 in. lg	1
52	100003	Washer - Plain	1
53	58335	Spacer - Cylinder shroud	1
54	58320	Shroud Assy - Cylinder	1
55		Powerhead Assy (See figure 5)	1
56	103258	Screw - Hex hd 1/4-20 x 1-1/8 in. lg	4
57	100005	Washer - Plain	4
58	36306	Lockplate	4
59	58229	Housing Assy - Clutch	1
60	102036	. Pin - Roll 1/4 in. dia	2
61	101982	Screw - Hex hd 1/4-20 x 1 in. lg	2
62	101143	Nut - Hex 1/4-20	2

This list is continued on page 5

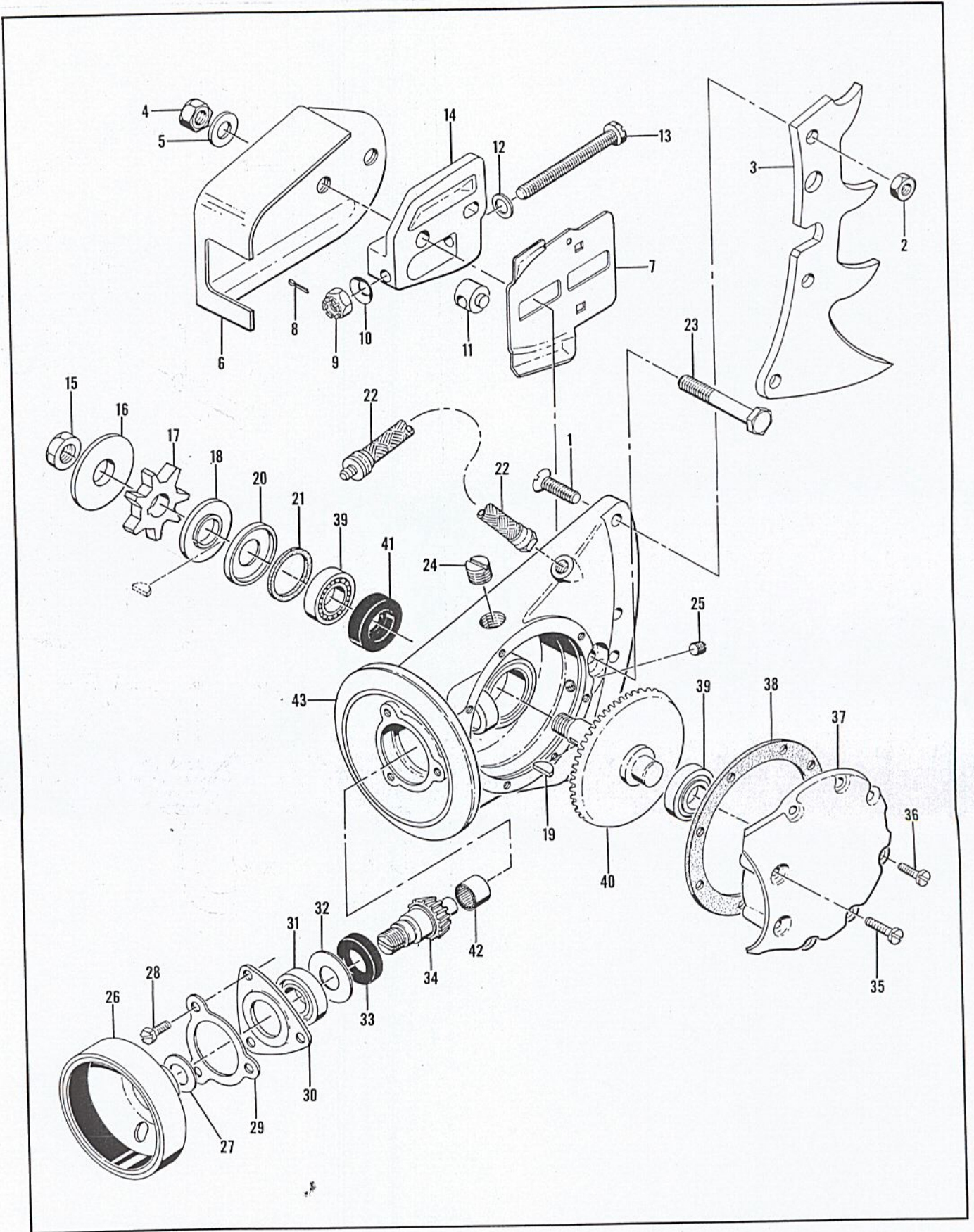


Figure 2. Transmission and Sprocket Drive

FIGURE 1. MODEL 1-92 CHAIN SAW (CONT)

Index No.	Part Number	Nomenclature	Units Per Assy
63	58151	Brace - Fuel tank	1
64	101982	Screw - Hex hd 1/4-20 x 1 in. lg	4
65	100153	Lockwasher - 1/4 in.	4
66	100005	Washer - Plain 1/4 in.	4
67	58139	Cover - Crankcase bottom	1
68	58166	Gasket - Crankcase bottom	1

FIGURE 2. TRANSMISSION AND SPROCKET DRIVE

Index No.	Part Number	Nomenclature	Units Per Assy
1	104489	Screw - Flat hd 5/16-18 x 7/8 in. lg	3
2	101330	Nut - Hex 5/16-18	3
3	58191	Spike	1
4	103729	Nut - Hex 3/8-24	2
5	100006	Washer - 3/8 in.	2
6	58127	Guard Assy - Chain	1
7	28066A	Protector - Gearcase	1
	58230	Clamp Assy - Bar adjusting	1
8	100010	Pin - Cotter 1/16 dia x 1/2 in. lg	1
9	102022	Nut - Hex 5/16-24	1
10	24260	Spring - Thrust	1
11	19708	Nut - Adjusting	1
12	100007	Washer - 5/16	1
13	102193	Screw - Adjusting	1
14	58231	Plate - Bar adjusting	1
15	100836	Nut - Hex 1/2-20	1
16	36862	Shroud - Sprocket (large)	1
17	36791A	Sprocket - 9/16 in. pitch - 7 tooth	1
18	36019A	Shroud - Sprocket (small)	1
19	100256	Key - Woodruff	1
20	19162	Shield - Dust	1
21	36155	Felt - Dust shield	1
22	58223	Line - Quick-disconnect oil	1
	58133	Transmission Assy	1
23	57217	Bolt - Bar mounting	2
24	101003	Plug - Pipe	1
25	104218	Plug - Pipe 3/8 in.	1
26	58134	Drum Assy - Clutch	1
27	58348	Spacer - Clutch drum	1
28	102388	Screw - Hex hd 10-24 x 5/8 in. lg	3
29	58350	Lockplate	1
30	58349	Retainer - Bearing	1
31	104422	Bearing	1
32	58345	Shim - Pinion 0.003 in. thick	As Req.
	58346	Shim - Pinion 0.010 in. thick	As Req.
	58347	Shim - Pinion 0.015 in. thick	As Req.
33	58351	Seal - Oil	1
34	*	Pinion	1
35	104397	Screw - Pan hd 10-24 x 7/8 in. lg	2
36	104395	Screw - Pan hd 10-24 x 5/8 in. lg	6
37	58124	Cover - Gearcase	1
38	58193	Shim - Cover 0.005 in. thick	As Req.
	58207	Shim - Cover 0.012 in. thick	As Req.
	58208	Shim - Cover 0.020 in. thick	As Req.
39	103482	Bearing - Ball	2
40	*	Gear - Bevel	1
41	102577	Seal - Oil	1
42	104487	Bearing - Needle	1
43	58125	Gearcase	1

*Matched gear set - Order Gear Set #58352.

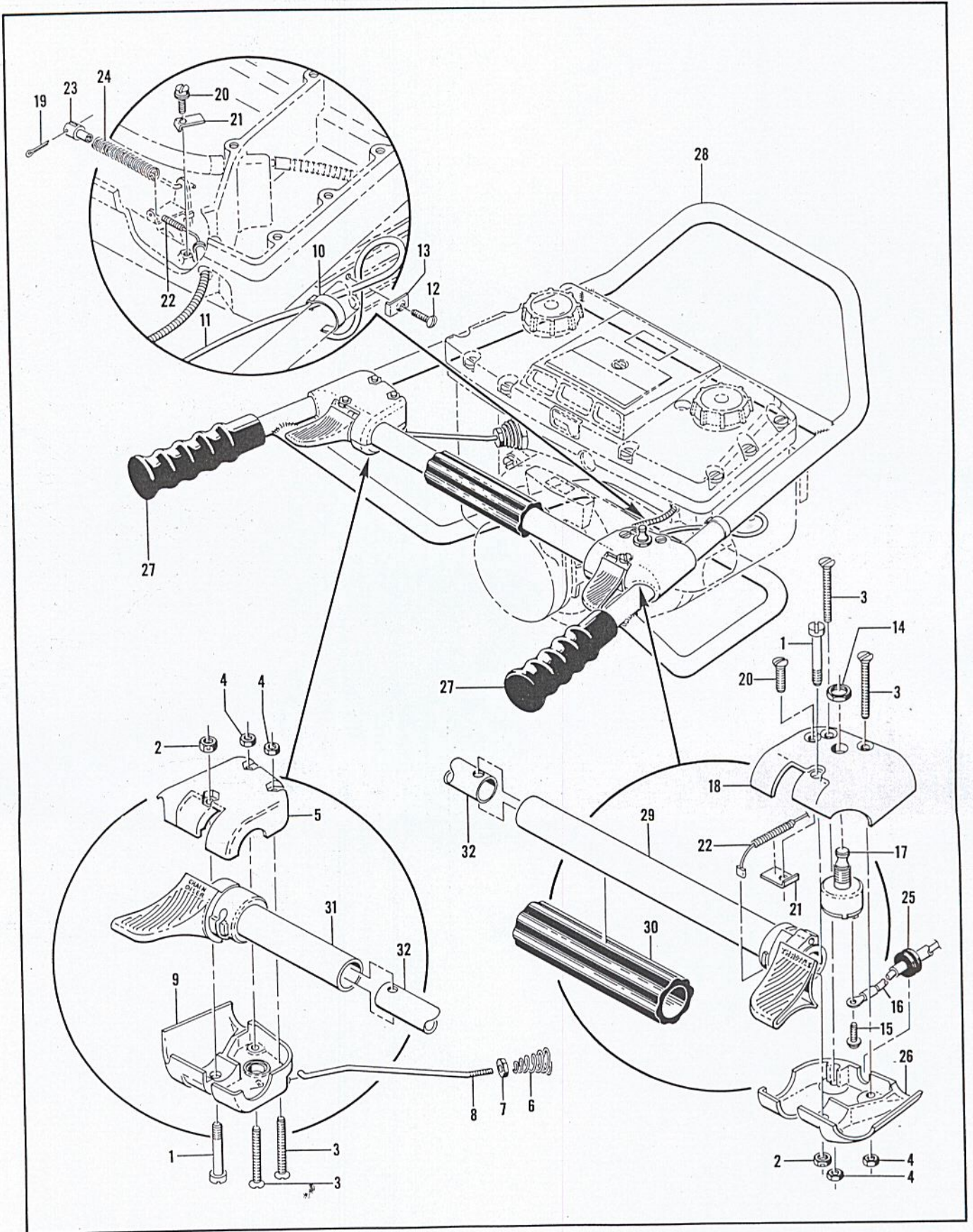


Figure 3. Frame and Control Assembly

FIGURE 3. FRAME AND CONTROL ASSEMBLY

Index No.	Part Number	Nomenclature	Units Per Assy
1	102292	Screw - Fil hd 1/4-20 x 1-1/2 in. lg	2
2	101143	Nut - Hex 1/4-20	2
3	102132	Screw - Flat hd 10-24 x 1-3/4 in. lg	4
4	101191	Nut - Hex 10-24	4
5	24593	Cover - Oiler lever	1
6	58209	Spring - Oiler rod	1
7	104066	Locknut - 10-32	1
8	58157	Pushrod - Oiler	1
9	58260	Cover - Oiler lever	1
10	18909A	Clip - Cable	1
11	58224	Wire Assy - Ignition	1
12	101386	Screw - Oval hd 10-24 x 5/8 in. lg	1
13	24547	Clamp - Boden wire	1
14	101497	Nut - Special	1
15	103934	Screw - 6-32 x 1/4 in. lg (SEMS)	1
16	24182	Wire Assy - Ignition switch	1
17	102183	Switch - Ignition	1
18	24594	Cover - Throttle lever	1
19	101901	Pin - Cotter	1
20	101966	Screw - 10-24 x 1/2 in. lg (SEMS)	1
21	58155	Clamp - Throttle wire	1
22	58225	Wire Assy - Throttle	1
23	18360A	. Clevis - Throttle	1
24	18379A	. Spring - Throttle	1
25	101283	Grommet	1
26	24593	Cover - Throttle lever	1
27	18207A	Grip - Handle	2
28	58194	Frame Assy	1
29	58147	. Lever Assy - Throttle	1
30	18202A	. Grip - Hand	1
31	58146	. Lever Assy - Oiler	1
32	58145	. Crossbar - Frame	1

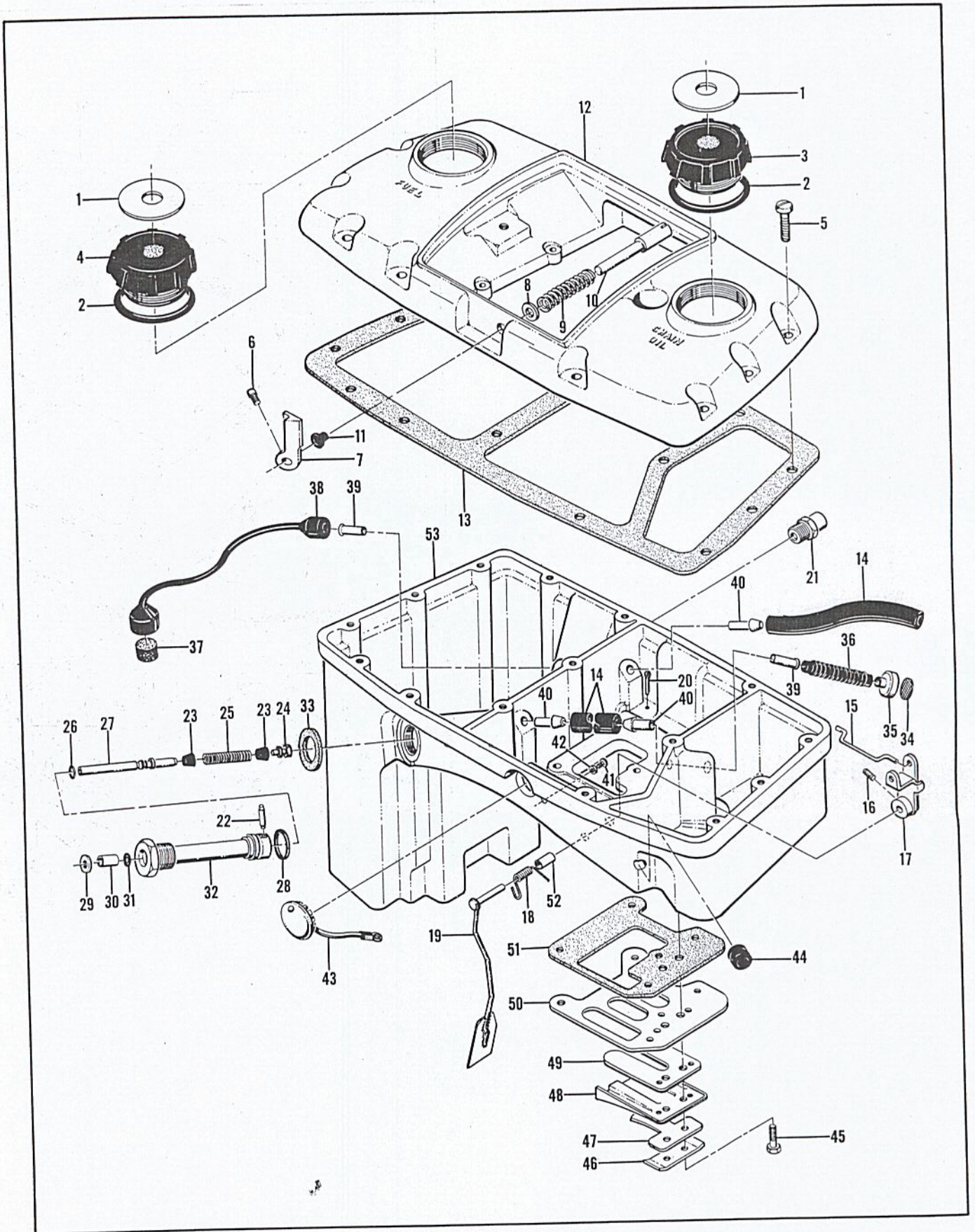


Figure 4. Fuel and Oil Tank Assembly

FIGURE 4. FUEL AND OIL TANK ASSEMBLY

Index No.	Part Number	Nomenclature	Units Per Assy
1	57485	Plate - Fuel cap	2
2	101348	"O" Ring	2
3	55947	Cap and Filter Assy - Oil	1
4	55934	Cap Assy - Fuel	1
5	104397	Screw - Pan hd 10-24 x 7/8 in. lg	15
6	103183	Screw - Set 5-40	1
7	58222	Lever - Choke	1
8	100644	Washer - Plain 1/4 in.	1
9	19236	Spring	1
10	58218	Extension - Choke shaft	1
11	58237	Grommet	1
12	58137	Cover - Fuel tank	1
13	58173	Gasket - Fuel tank	1
14	58143	Hose - Fuel pickup, Oil pickup	2
15	58258	Rod - Throttle	1
16	104106	Screw - Set 6-32 x 3/16 in. lg	1
17	58250	Lever Assy - Governor arm	1
18	55966	Spring - Governor arm	1
19	58248	Arm Assy - Governor	1
20	104310	Pin - Cotter	1
	58219	Fitting Assy - Quick-disconnect	1
21	47571	Oil Pump Assy	1
22	24106	. Pin - Pump	1
23	24104	. Cup - Packing	2
24	24105A	. Plug - Pump	1
25	28215	. Spring - Pump	1
26	101258	. "O" Ring	1
27	24103A	. Plunger - Pump	1
28	101218	. "O" Ring	1
29	100950	. Washer - Special	1
30	24108	. Seal - Pump	1
31	101056	. "O" Ring	1
32	47553A	. Body Assy - Oil pump	1
33	24120	Gasket - Oil pump	1
34	51506	Screen - Oil pickup	1
35	51509	Weight - Oil pickup	1
36	28007	Hose - Oil pickup	1
37	50124A	Filter - Felt	1
38	50082	Hose - Fuel pickup	1
39	28042	Nipple - Tube	2
40	57590	Nipple - Tube	3
41	104504	Rivet - Rd hd 1/8 x 1/4 in. lg	1
42	101871	Washer - Plain 1/8 in.	1
43	51396A	Cover Assy - Adjustment hole	1
44	101283	Grommet	1
45	103740	Screw - Hex hd 8-32 x 5/8 in. lg	2
46	51480	Lockplate	1
47	57658	Clamp - Reed valve	1
48	57654	Deflector - Fuel	1
49	51809A	Valve - Reed	1
50	57656A	Plate - Reed valve	1
51	58328	Gasket - Fuel tank	1
52	58238	Bushing - Governor shaft	1
53	58140	Tank - Fuel and oil	1

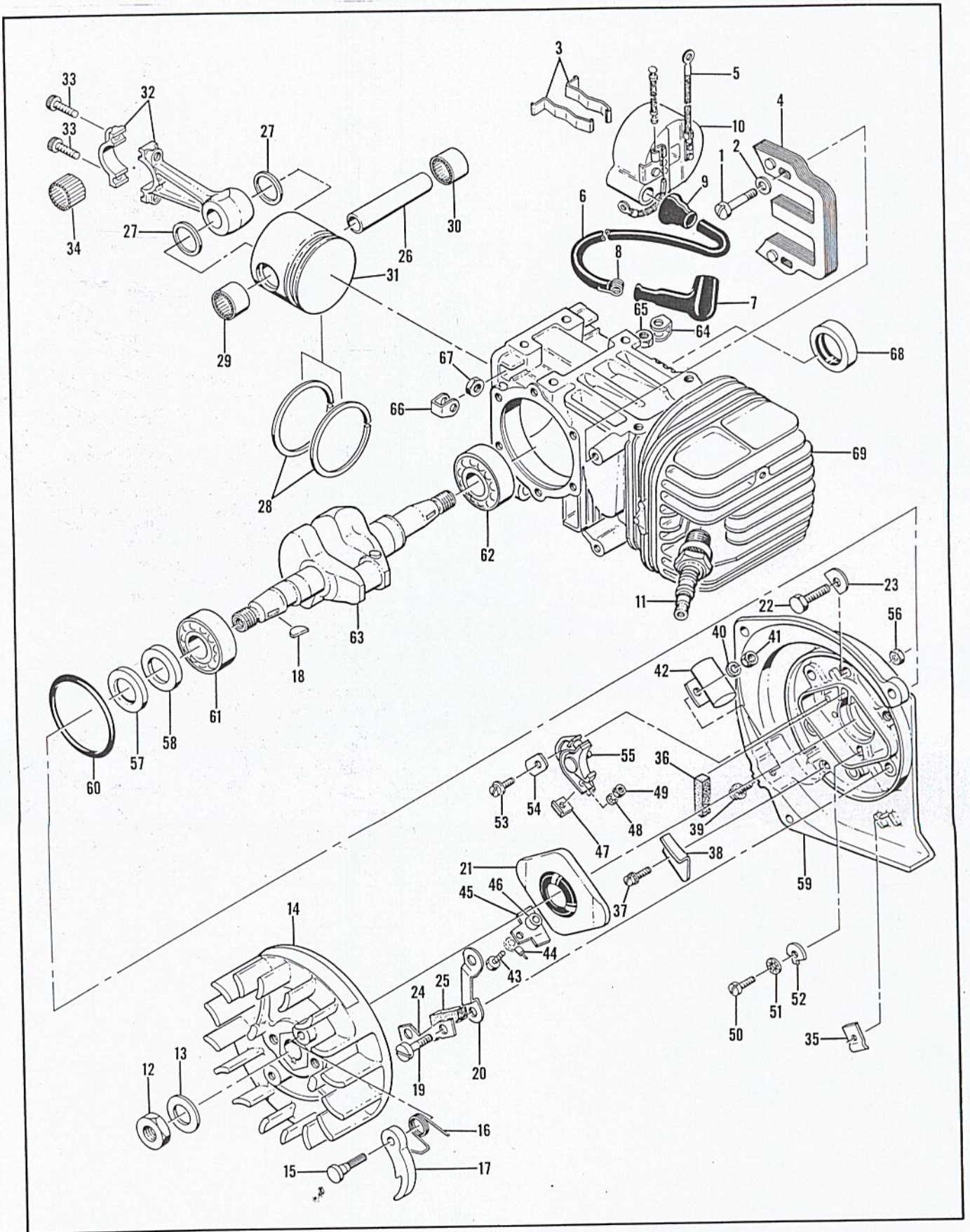


Figure 5. Powerhead Assembly

FIGURE 5. POWERHEAD ASSEMBLY

Index No.	Part Number	Nomenclature	Units Per Assy
1	101965	Screw - Fil hd 10-24 x 7/8 in. lg	2
2	100003	Washer - Plain #10	2
3	51253	Retainer - Coil	2
4	51251	Lamination Assy - Coil	1
	55949A	Coil and Terminal Assy	1
5	101883	. Wire Assy - Ground	1
6	52547	. Wire Assy - Spark plug	1
7	55060	. . Boot - Spark plug	1
8	55061	. . Connector - Spark plug wire	1
9	55617	. Nipple - Spark plug wire	1
10		. Coil Assy (Order Coil and Terminal Assy #55949A)	1
11		Plug - Spark 14MM	1
12	101179	Nut - Hex 7/16	1
13	101270	Washer - Special	1
14	48785A	Flywheel Assy	1
15	36144A	Pin - Starter pawl	2
16	50582	Spring - Starter pawl	2
17	24093	Pawl - Starter	2
18	103879	Key - Woodruff	1
19	102763	Screw - Hex hd 10-24 x 3/4 in. lg	4
20	55977	Clip - Breaker box cover	2
21	55766B	Cover Assy - Breaker box	1
22	102763	Screw - Hex hd 10-24 x 3/4 in. lg	2
23	36388	Lockplate	1
24	57815	Strap - Seal	1
25	50664	Seal - Breaker box drain	1
26	58132	Pin - Piston	1
27	51209	Washer - Thrust	2
	58356	Piston Assy - Standard (For oversize piston, see page 15)	1
28	58353	. Ring Set - Standard piston (For oversize ring set, see page 15)	1
29	101206	. Bearing - Needle	1
30	104378	. Bearing - Needle (closed end)	1
31		. Piston (Order Piston Assy #58356)	1
32	48905	Connecting Rod Assy	1
33	104589	. Screw - Socket hd 10-32 x 9/16 in. lg	2
34	102742	. Roller - Needle	24
35	104230	Speednut	1
36	54184	Wiper - Felt	1
37	103061	Screw - 8-32 x 3/8 in. lg (SEMS)	1
38	57829	Clamp - Ignition wire	1
39	104555	Screw - Fil hd 8-32 x 1/2 in. lg	1
40	100080	Washer - Plain #8	1
41	100955	Nut - Hex 8-32	1
42	50074	Condenser	1
43	103748	Screw - Hex hd 8-32 x 1/2 in. lg	1
44	57766	Wire Assy - Primary	1
45	55782	Insulator	1
46	57769	Insulator - Ignition screw	1
47	57770	Insulator - Breaker spring	1
48	104553	Lockwasher - #8	1
49	104551	Nut - Hex 8-32	1
50	104586	Screw - Fil hd 8-32 x 1/2 in. lg	1
51	104587	Lockwasher	1
52	55778C	Washer - Breaker retainer	1
53	104585	Screw - 8-32 x 3/8 in. lg (SEMS)	1
54	57767A	Lockplate	1
55	57765	Breaker Assy	1
	57827A	Crankcase Cover Assy	1
56	101326	. Nut - Hex 10-24	1
57	57897	. Seal - Oil	1
58	57898	. Seal - Oil	1
59		. Cover - Crankcase (Order Cover Assy #57827A)	1
60	104523	"O" Ring	1

This list is continued on page 13

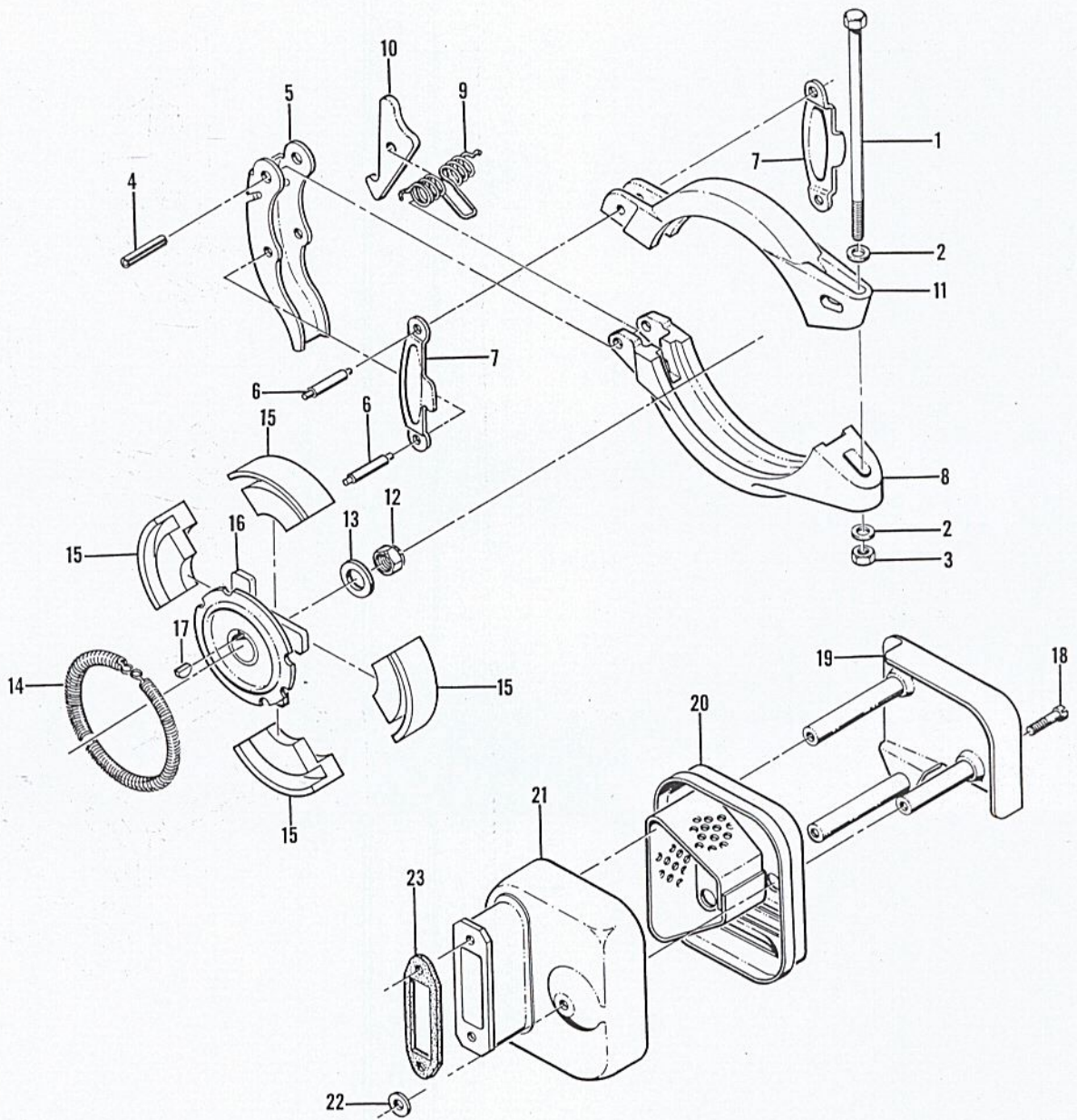


Figure 6. Clamp, Clutch and Muffler

FIGURE 5. POWERHEAD ASSEMBLY (CONT)

Index No.	Part Number	Nomenclature	Units Per Assy
61	100824	Bearing - Ball	1
62	104490	Bearing - Ball	1
63	58128	Crankshaft	1
	58162	Crankcase Assy	1
64	28053	. Retainer - Nut	2
65	101326	. Nut - Hex 10-24	2
66	18556A	. Retainer - Nut	6
67	101143	. Nut - Hex 1/4-20	6
68	104486	. Seal - Oil	1
69		. Crankcase	1

FIGURE 6. CLAMP, CLUTCH AND MUFFLER

Index No.	Part Number	Nomenclature	Units Per Assy
	58121	Clamp Assy - Transmission	1
1	104488	. Bolt - Clamp ring	1
2	100005	. Washer - Plain 1/4 in.	2
3	101143	. Nut - Hex 1/4-20	1
4	102036	. Pin - Roll 1/4 dia x 1 in. lg	1
5	24446	. Lever - Clamp ring	1
6	24447	. Pin - Clamp ring	2
7	24445	. Link - Clamp ring	2
8	58186	. Ring - Lower clamp	1
9	24719	. Spring - Latch	1
10	24720	. Latch Assy - Clamp ring	1
11	58182	. Ring - Upper clamp	1
12	103746	Nut - Flexloc 3/8-24	1
13	104349	Washer - 3/8 in.	1
	48712	Clutch Assy	1
14	51468	. Spring - Clutch	1
15	51464A	. Shoe - Clutch	4
16	48713	. Rotor Assy - Clutch	1
17	103879	Key - Woodruff	1
	58174	Muffler Assy	1
18	55998	. Screw - Fil hd 10-24 x 5/8 in. lg	3
19	58325	. Guard Assy - Muffler	1
20	58324	. Top Assy - Muffler	1
21	55828	. Bottom Assy - Muffler	1
22	55213	Washer - Insulator	1
23	36093	Gasket - Muffler	1

FIGURE 7. CARBURETOR AND ADAPTER

Index No.	Part Number	Nomenclature	Units Per Assy
1	104516	Screw - Hex hd 1/4-20 x 5/8 in. lg	2
2	101143	Nut - Hex 1/4-20	2
3	58138	Adapter - Carburetor	1
4	55252B	Gasket - Carburetor	1
	58170	Carburetor Assy	1
5	104397	. Screw - Pan hd 10-24 x 7/8 in. lg	4
	48836	. Body Assy - Fuel pump	1
6	104511	. Screw - Pan hd 6-32 x 7/8 in. lg	1
7	48851	. Seal - Inlet	1
8	48849	. Inlet - Fuel	1
9	48838	. Gasket - Fuel Inlet	1
10	57277	. Filter - Fuel pump	1
11		. Body - Fuel pump (Order Body Assy #48836)	1
12	57274A	. Diaphragm Assy - Fuel pump	1
13	57272A	. Plate - Carburetor diaphragm	1
14	55067A	. Diaphragm	1
15	104000	. Screw - Pan hd 4-40 x 1/4 in. lg	1
16	103540	. Lockwasher - Int. #4	1
17	50701A	. Arm - Throttle shaft	1
18	102219	. Screw - Fil hd 8-32 x 1/4 in. lg	1
19	100252	. Lockwasher - #8	1
20	55082	. Clip - Carburetor shaft	1
21	104000	. Screw - Pan hd 4-40 x 1/4 in. lg	1
22	103540	. Lockwasher - Int. #4	1

This list is continued on page 15

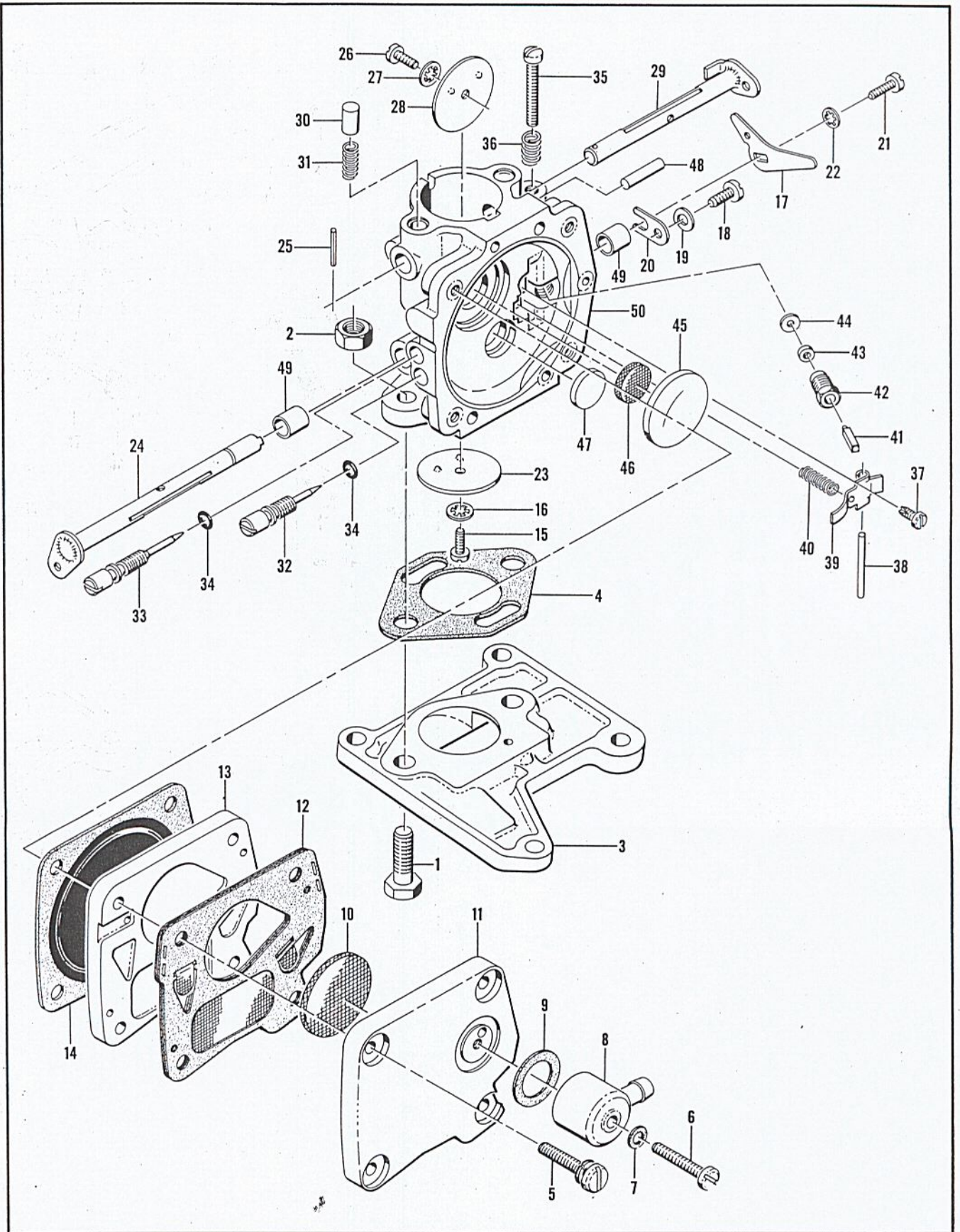


Figure 7. Carburetor and Adapter

FIGURE 7. CARBURETOR AND ADAPTER (CONT)

Index No.	Part Number	Nomenclature	Units Per Assy
23	55085	Plate - Throttle	1
24	58216	Shaft Assy - Throttle	1
25	101500	Pin - Roll 0.062 x 1/2 in. lg	1
26	104000	Screw - Pan hd 4-40 x 1/4 in. lg	1
27	103540	Lockwasher - Int. #4	1
28	55085	Plate	1
29	58214	Shaft Assy - Choke	1
30	48758	Detent - Carburetor	1
31	48759	Spring - Carburetor detent	1
32	55090	Needle - Idle metering	1
33	57078	Needle - Main metering	1
34	104001	"O" Ring	2
		Body Assy - Carburetor	1
35	55397	Screw - Fil hd 8-36 x 15/16 in. lg	1
36	51705	Spring - Idle screw	1
37	104164	Screw - Pan hd 4-40 x 1/4 in. lg	1
38	104305	Pin - Inlet control lever	1
39	55688	Lever - Inlet control	1
40	57172	Spring - Inlet control	1
41	55476	Needle - Inlet valve	1
42	55475	Body - Inlet valve	1
43	55474	Seat - Inlet valve	1
44	55689	Washer - Inlet valve	1
45	104407	Plug - Expansion 1 in. dia	1
46	55690B	Seal - Capillary	1
47	102758	Plug - Expansion 1/2 in. dia	1
48	104210	Pin - Groove	1
49	55062A	Bushing - Carburetor body	2
50		Body - Carburetor (Order Body Assy #	1

ITEMS FURNISHED WITH YOUR SAW

Index No.	Part Number	Nomenclature	Units Per Assy
	51445	Wrench and Screwdriver Combination	
	58206	Owner's Manual of Operating Instructions	
	58205	Illustrated Parts List	
	56625A	Chain Maintenance Manual	
	14168A	Wrench - Spark plug	

TOOLS AND ACCESSORIES

Index No.	Part Number	Nomenclature	Units Per Assy
	56784	Bar Assy - 60 in.	
	56785	Bar Assy - 50 in.	
	18413A	Gauge - Feeler	
	101259	Grinder - Chain	
	102094	Fixture - Chain grinding	
	102449	McCulloch Yellow Paint (12 oz. spray bomb type)	
	102057	McCulloch Oil (1 quart can)	
	102664	McCulloch Oil (12 oz can)	
	102448	File - Round 9/32 in. dia	
	101453	File - Round 1/4 in. dia	
	103028	Stone - Grinding 9/32 in. dia	
	103029	Stone - Grinding 1/4 in. dia	
	56224A	Chain Breaker - Rivet spinner	
	56250	Depth Gauge - 0.025 to 0.040 in. depth	
	56251	Depth Gauge - 0.045 to 0.060 in. depth	

OVERSIZE PISTON ASSEMBLY

Index No.	Part Number	Nomenclature	Units Per Assy
	58355	Piston Assy - 0.020 in. oversize	
	58354	Ring Set - Piston 0.020 in. oversize	