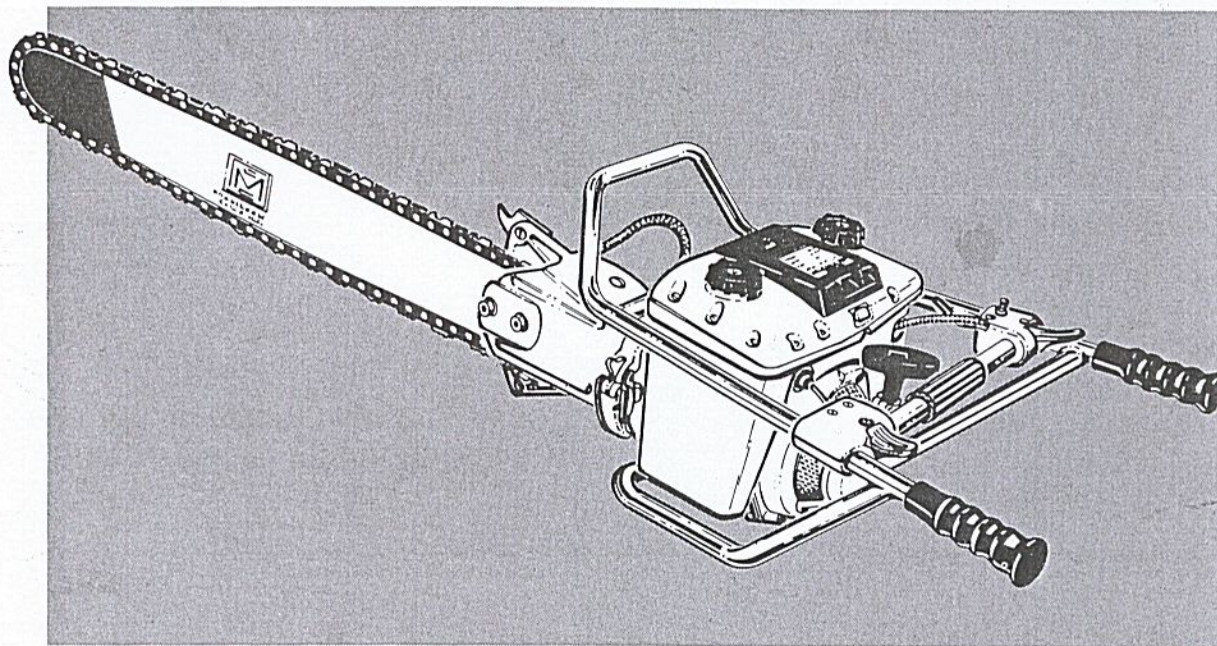


MODEL 940 CHAIN SAW

MODEL NO'S. 600140 & 400180 SERIAL NOS. PREFIXED 11-

ILLUSTRATED PARTS LIST



October 1969

The policy of McCulloch Corporation is one of continual improvement in design, manufacturing and engineering advancement wherever possible to assure still finer two-cycle power tools. Hence, specifications, equipment, colors, design and manufacturer's suggested list prices are subject to change without notice and McCulloch Corporation reserves the right to make such changes without prior notification or obligation to backfit or supply backfit components for units previously shipped from the factory.

	Page
Figure 1. Model 940 Chain Saw	2
Figure 2. Transmission and Sprocket Drive.	4
Figure 3. Frame and Control Assembly	6
Figure 4. Fuel and Tank Assembly	8
Figure 5. Powerhead Assembly	10
Figure 6. Clamp, Clutch and Muffler	12
Figure 7. Carburetor and Adapter	14



McCULLOCH

MODEL 940

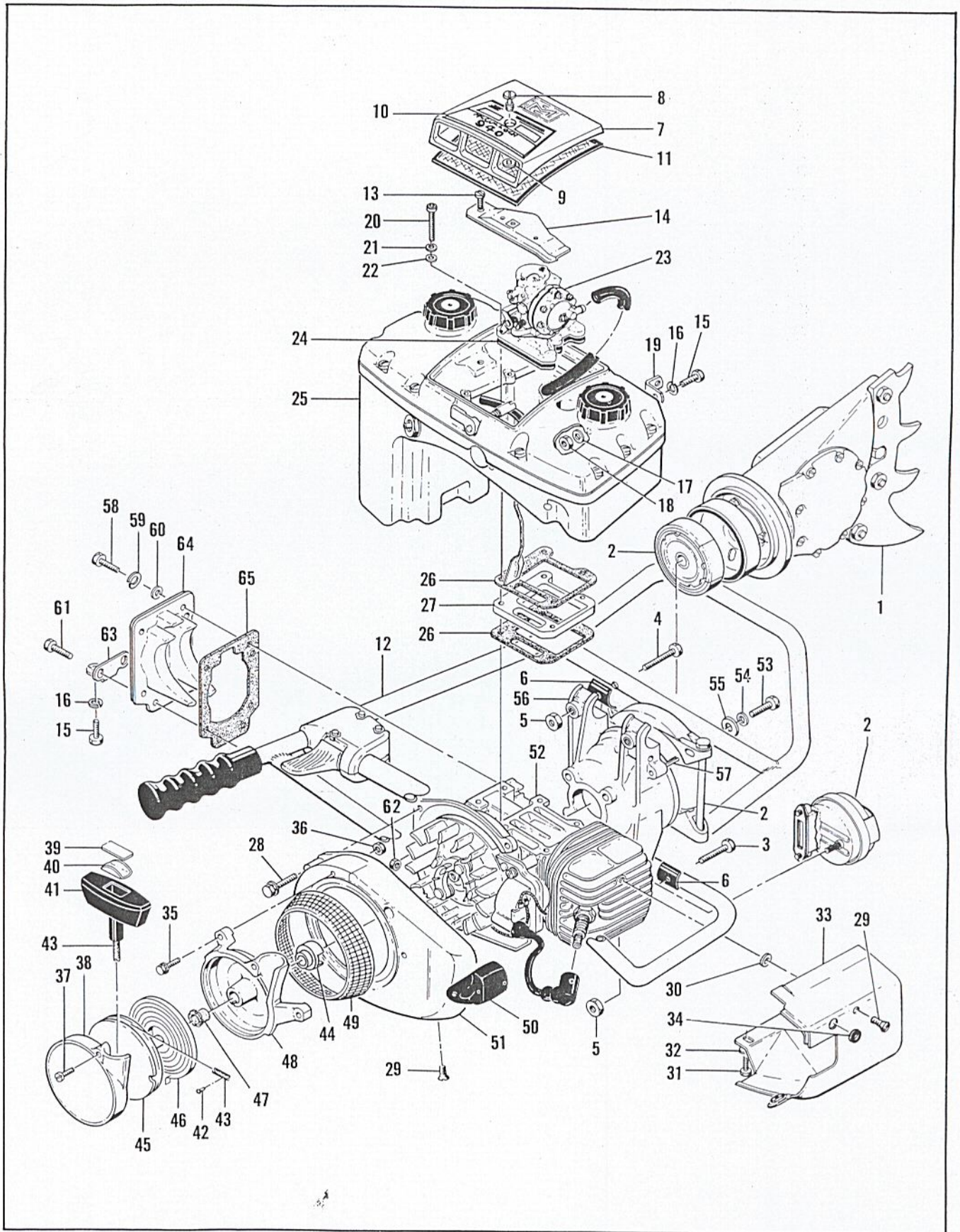


Figure 1. Model 940 Chain Saw

FIGURE 1. MODEL 940 CHAIN SAW

Item No.	Part Number	Description	Units Per Assy
1		Transmission and Sprocket Drive (See Figure 2)	
2		Clamp, Clutch and Muffler (See Figure 6)	
3	102130	Screw - Hx hd 1/4-20 x 1-1/2	2
4	102125	Screw - Hx hd 1/4-20 x 1-3/4	2
5	101143	Nut - Hx 1/4-20	2
6	50062	Insulator - Frame	4
7	55484	Cover Assy - Air cleaner	1
8	55032A	. Screw - Air cleaner cover	1
9	-83367	. Nut - Special	1
10	-60480A	. Nameplate	1
11	55498	Filter	1
12		Frame and Control Assy (See Figure 3)	
13	102500	Screw - Pan hd 10-24 x 1/2	1
14	-69862	Anchor Assy - Air cleaner	1
15	100882	Screw - Hx hd 1/4-20 x 3/4	3
16	100153	Lockwasher - 1/4	3
17	100005	Washer - Plain 1/4	1
18	101143	Nut - Hx 1/4-20	1
19	58344	Brace - Angle	1
20	104560	Screw - Socket hd 10-24 x 1-1/2	4
21	100240	Lockwasher - #10	4
22	100002	Washer - Plain #10	4
23		Carburetor and Adapter (See Figure 7)	
24	-69851	Gasket - Carburetor adapter	1
25		Fuel and Oiler Tank Assy (See Figure 4)	
26	58330	Gasket - Fuel tank insulator	2
27	57771B	Insulator - Fuel tank	1
28	104816	Screw - Hx hd 10-24 x 1-1/4 (SEMS)	3
29	-106090	Screw - Pan hd 10-24 x 1/2	2
30	100003	Washer - Plain #10	1

Item No.	Part Number	Description	Units Per Assy
31	100732	Screw - Hx hd 1/4-20 x 5/8	2
32	100005	Washer - Plain 1/4	2
33	-64567	Shroud Assy - Cylinder	1
34	101230	. Grommet	1
35	104815	Screw - Hx hd 10-24 x 7/8 (SEMS)	3
36	101191	Nut - Hx 10-24	3
	60130	Starter Assy	1
37	104396	. Screw - Pan hd 10-24 x 3/4	2
38	60647	. Cover - Starter	1
39	57232	. Plate - Starter handle	1
40	57231	. Cup - Starter handle	1
41	57230	. Handle - Starter	1
42	101136	. Rivet	1
43	28716	. Rope - Starter	1
44	57790	. Ratchet - Starter	1
45	57792	. Drum - Starter	1
46	51665	. Spring - Starter rewind	1
47	57535	. Bushing - Starter base	2
48	60646	. Base - Starter	1
49	50581A	Screen - Sawdust	1
50	57565	Cover Assy - Spark plug	1
51	-58314A	Fan Housing Assy	1
52		Powerhead Assy (See Figure 5)	
53	103258	Screw - Hx hd 1/4-20 x 1-1/8	4
54	100005	Washer - Plain 1/4	4
55	36306	Lockplate	4
56	58229	Housing Assy - Clutch	1
57	102036	. Pin - Roll 1/4 in. dia	2
58	101982	Screw - Hx hd 1/4-20 x 1	4
59	100153	Lockwasher - 1/4	7
60	100005	Washer - Plain 1/4	4
61	102121	Screw - Hx hd 1/4-20 x 7/8	2
62	101143	Nut - Hx 1/4-20	2
63	58151	Brace - Fuel tank	1
64	-67254	Cover - Crankcase bottom	1
65	-65654	Gasket - Crankcase bottom	1

1091669

Part numbers which have changed since the previous printing of the illustrated parts list covering these saws, are indicated by a dash (-) preceding the new part number.

MODEL
940

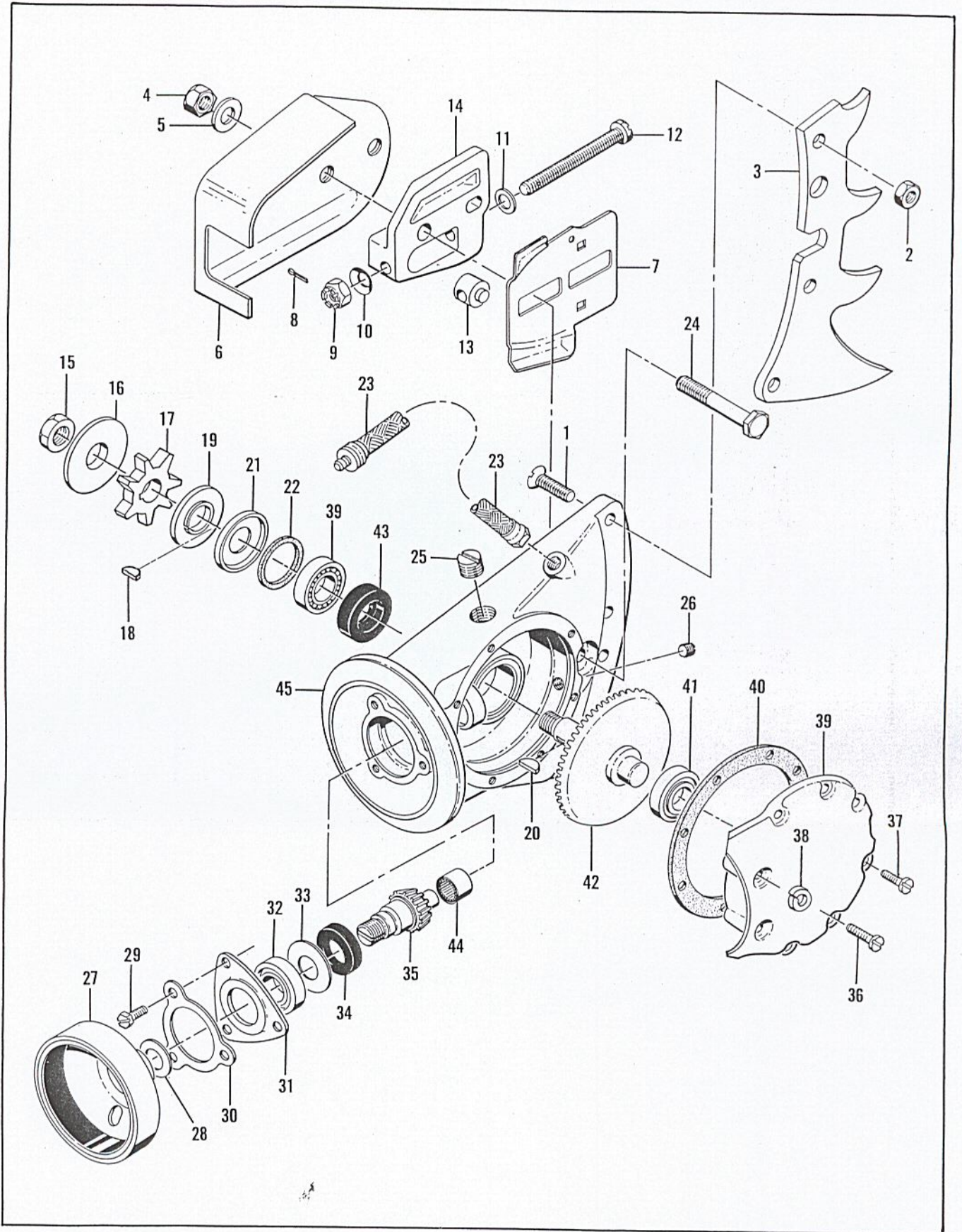


Figure 2. Transmission and Sprocket Drive

FIGURE 2. TRANSMISSION AND SPROCKET DRIVE

Item No.	Part Number	Description	Units Per Assy
1	104489	Screw - Flat hd 5/16-18 x 7/8	3
2	101330	Nut - Hx 5/16-18	3
3	- 61782	Spike	1
4	- 110625	Nut - Hx 3/8-24	2
5	100006	Washer - Plain 3/8	2
6	58127	Guard Assy - Chain	1
7	28066A	Plate - Protector	1
	58230	Clamp Assy - Bar adjusting	1
8	100010	Pin - Cotter 1/16 x 1/2	1
9	102022	Nut - Castle 5/16-24	1
10	24260	Spring - Thrust	1
11	100007	Washer - Plain 5/16	1
12	102193	Screw - Hx hd 5/16-24 x 3-1/2	1
13	19708	Nut - Bar adjusting	1
14	58231	Plate - Bar adjusting	1
15	100836	Nut - Hx jam 1/2-20	1
16	36862	Shroud - Sprocket (large)	1
17	36791A	Sprocket - 7 tooth, 9/16 in. pitch	1
18	-103879	Key - Woodruff	1
19	36019A	Shroud - Sprocket (small)	1
20	100256	Key - Woodruff #6	1
21	19162	Shield - Dust	1
22	36155	Felt - Dust shield	1
23	58223	Line - Quick disconnect oil	1
	58133	Transmission Assy	1
24	57217	. Bolt - Bar mounting	2
25	101003	. Plug - Pipe	1

Item No.	Part Number	Description	Units Per Assy
26	104218	. Plug - Pipe	1
27	58134	. Drum Assy - Clutch	1
28	58348	. Spacer - Clutch drum	1
29	102388	. Screw - Hx hd 10-24 x 5/8	3
30	58350	. Lockplate	1
31	58349	. Retainer - Bearing	1
32	104422	. Bearing	1
33	58345	. Shim - Pinion 0.003 in. thick	As Req
	58346	. Shim - Pinion 0.010 in. thick	As Req
	58347	. Shim - Pinion 0.015 in. thick	As Req
34	58351	. Seal - Oil	1
35	*	. Pinion	1
36	104398	. Screw - Pan hd 12-24 x 1	2
37	104395	. Screw - Pan hd 10-24 x 5/8	6
38	100240	. Lockwasher - #10	8
39	58124	. Cover - Gearcase	1
40	58193	. Shim - Cover 0.005 in. thick	As Req
	58207	. Shim - Cover 0.012 in. thick	As Req
	58208	. Shim - Cover 0.020 in. thick	As Req
41	103482	. Bearing - Ball	2
42	*	. Gear - Bevel	1
43	102577	. Seal - Oil	1
44	104487	. Bearing - Needle	1
45	58125	. Gearcase	1

2091669

* Matched gear set - Order Gear Set P/N 58352

FIGURE 3. FRAME AND CONTROL ASSEMBLY

Item No.	Part Number	Description	Units Per Assy
1	102292	Screw - Fil hd 1/4-20 x 1-1/2	2
2	101143	Nut - Hx 1/4-20	2
3	102132	Screw - Flat hd 10-24 x 1-3/4	4
4	101326	Nut - Hx 10-24	4
5	24593	Cover - Oiler lever (top)	1
6	58209	Spring - Oiler rod	1
7	104066	Locknut - 10-32	1
8	58157	Pushrod - Oiler	1
9	58260	Cover - Oiler lever (bottom)	1
10	18909A	Clip - Cable	1
11	58224	Wire Assy - Ignition	1
12	-18974A	Sleeve Assy	1
13	101386	Screw - Oval hd 10-24 x 5/8	1
14	24547	Clamp - Bowden wire	1
15	104810	Nut - Special	1
16	103934	Screw - 6-32 x 1/4 (SEMS)	1
17	24182	Wire Assy - Ignition switch	1

Item No.	Part Number	Description	Units Per Assy
18	-58387	Switch - Ignition	1
19	58386	Cover - Throttle lever (top)	1
20	101901	Pin - Cotter 0.06 x 3/8	1
21	101966	Screw - Rd hd 10-24 x 5/8 (SEMS)	1
22	58155	Clamp - Throttle wire	1
23	58225	Wire Assy - Throttle	1
24	18360A	. Clevis - Throttle	1
25	18379A	. Spring - Throttle	1
26	101283	Grommet	1
27	24593	Cover - Throttle lever (bottom)	1
28	18207A	Grip - Handle	2
29	58194A	Frame Assy	1
30	58147	. Lever Assy - Throttle	1
31	18202A	. Grip - Hand	1
32	58146	. Lever Assy - Oiler	1
33	58145	. Crossbar - Frame	1

3091669

MODEL 940

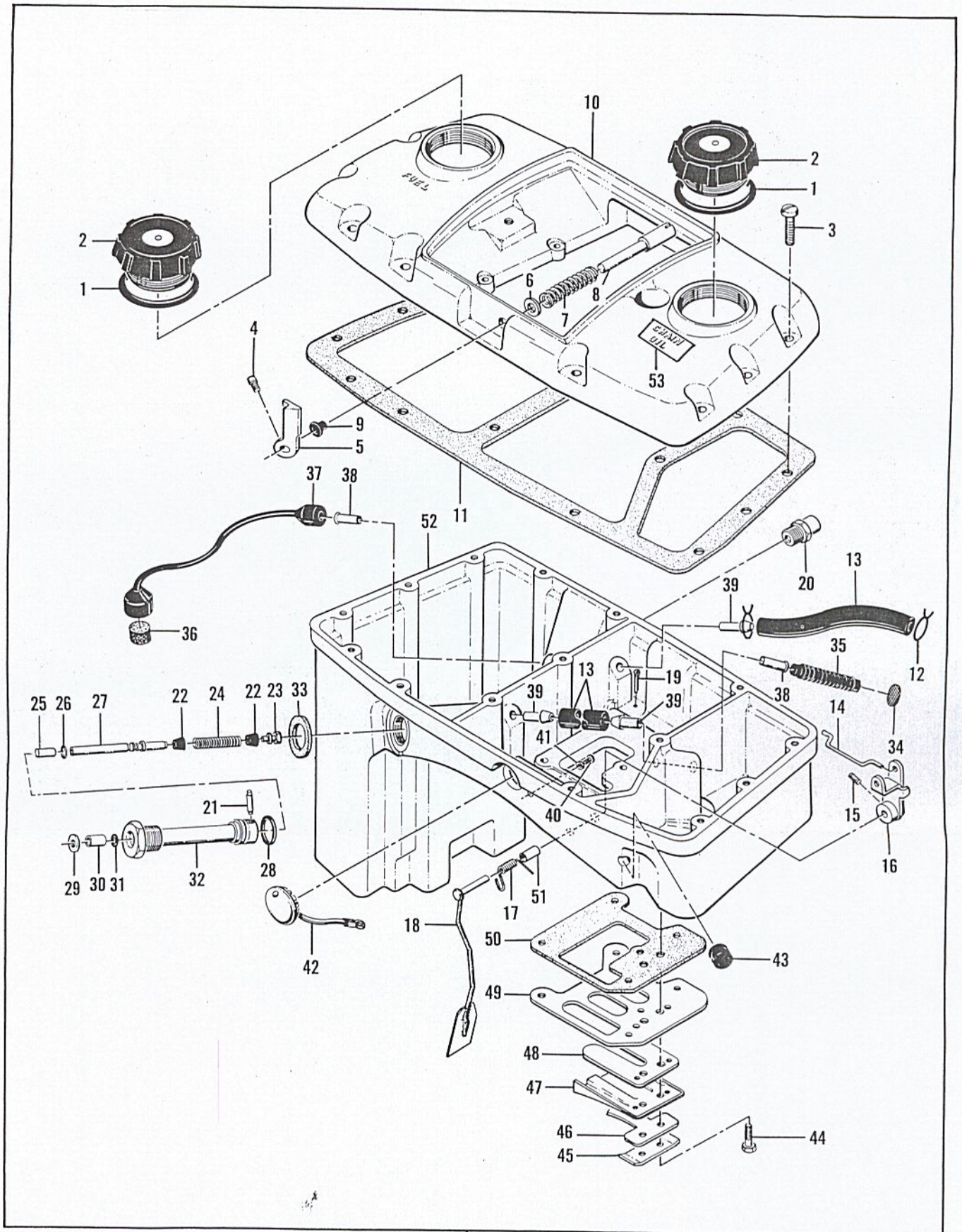


Figure 4. Fuel and Oil Tank Assembly

FIGURE 4. FUEL AND OIL TANK ASSEMBLY

Item No.	Part Number	Description	Units Per Assy
1	101348	"O" Ring	2
2	55934B	Cap Assy	2
3	104397	Screw - Pan hd 10-24 x 7/8	15
4	103183	Screw - Set 5-40	1
5	58222	Lever - Choke	1
6	100644	Washer - Plain 1/4	1
7	19236	Spring	1
8	58218	Extension - Choke shaft	1
9	58237	Grommet	1
10	-65516	Cover - Fuel tank	1
11	-65656	Gasket - Fuel tank	1
12	-50742	Clamp - Hose	2
13	58143	Hose - Fuel and oil pickup	2
14	-69861	Rod - Throttle	1
15	-104154	Screw - Set 8-32 x 1/4	1
16	-58250A	Lever Assy - Governor arm	1
17	-55966C	Spring - Governor arm	1
18	58248B	Arm Assy - Governor	1
19	104310	Pin - Cotter	1
20	58219	Fitting Assy - Quick dis- connect	1
	47571	Pump Assy - Oil	1
21	24106	. Pin - Oil pump	1
22	24104A	. Cup - Packing	2
23	24105A	. Plug - Oil pump	1
24	28215	. Spring - Oil pump	1
25	24102	. Sleeve - Oil pump	1
26	101258	. "O" Ring	1
27	24938	. Plunger - Oil pump	1

Item No.	Part Number	Description	Units Per Assy
28	101218	. "O" Ring	1
29	100950	. Washer - Plain 1/4	1
30	24108	. Seal - Oil pump	1
31	101056	. "O" Ring	1
32	-47553A	. Body Assy - Oil pump	1
33	24120	. Gasket	1
	51505	Weight Assy - Oil pump	1
34	51506	. Screen - Oil pump	1
35	28007	Hose - Oil pump	1
36	50124A	Filter - Felt	1
37	50082	Hose - Fuel pickup	1
38	58766	Nipple- Tube	2
39	57590	Nipple - Tube	3
40	110006	Rivet - Oval 1/8 x 11/32	1
41	101871	Washer - Plain 1/8	1
42	51396A	Cover Assy - Adjustment hole	1
43	101283	Grommet - Throttle control	1
44	103740	Screw - Hx hd 8-32 x 5/8	2
45	51480	Lockplate	1
46	-58658A	Clamp - Reed valve	1
47	-57654A	Deflector - Fuel	1
48	58399	Valve - Reed	1
49	-53685C	Plate - Reed valve	1
50	-65657	Gasket - Fuel tank	1
51	58238	Bushing - Governor shaft	1
52	-63008	Tank - Fuel and oil	1
53	-63332	Decal - Oil	1

4091669

**MODEL
940**

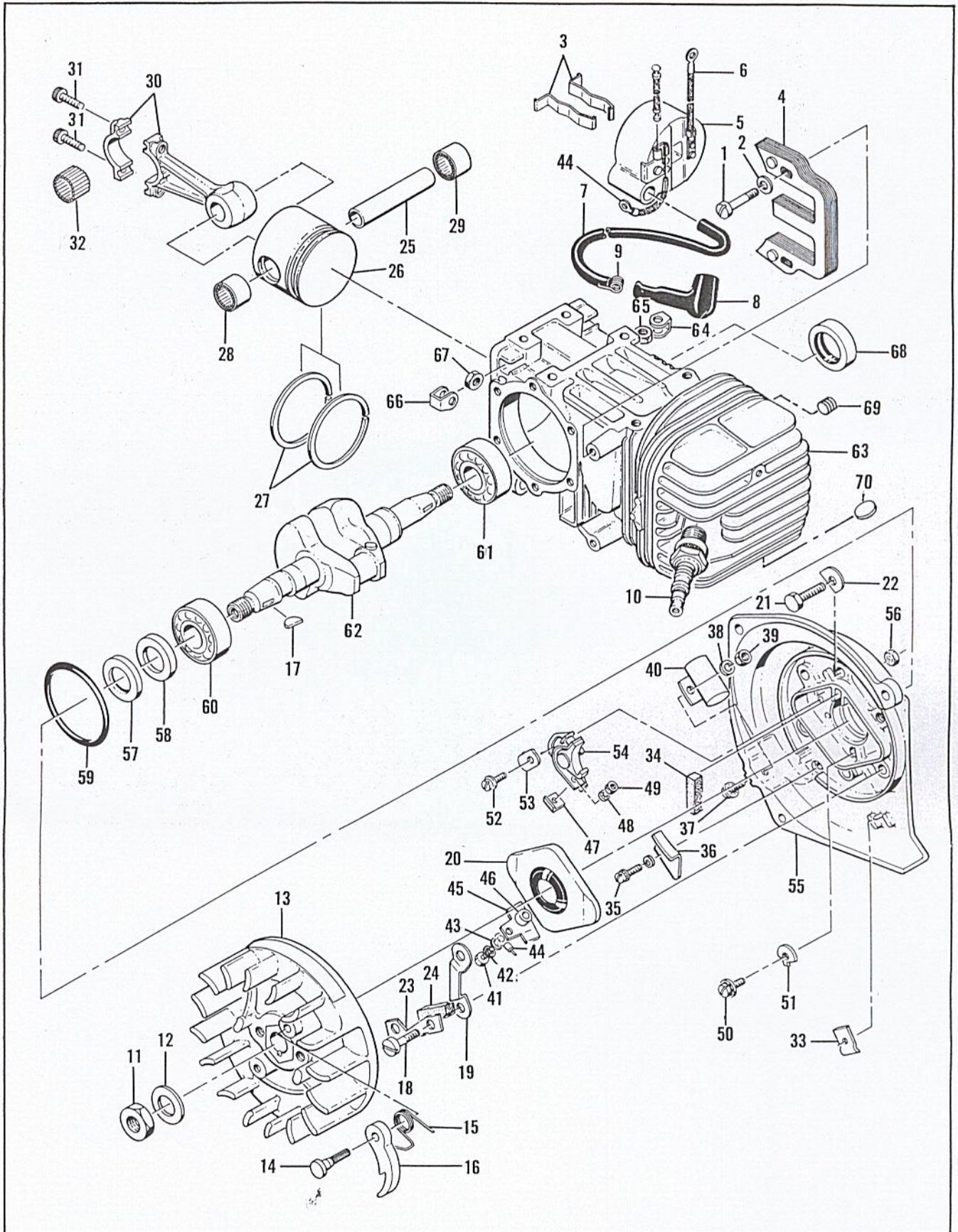


Figure 5. Powerhead Assembly

FIGURE 5. POWERHEAD ASSEMBLY

Item No.	Part Number	Description	Units Per Assy
1	-104815	Screw - Fil hd 10-24 x 7/8 (SEMS)	2
2	-100352	Washer - Plain #10	2
3	51253	Retainer - Coil	2
4	51251	Lamination Assy - Coil	1
5	-58822	Coil and Terminal Assy	1
6	101883	. Wire Assy - Ground	1
7	52547	. Wire Assy - Spark plug	1
8	55060	. . Boot - Spark plug	1
9	55061	. . Connector - Spark plug wire	1
10		Spark Plug - 14 mm	1
11	101179	Nut - Hx hd 7/16-20	1
12	101270	Washer - Plain 7/16	1
13	-68282	Flywheel Assy	1
14	36144B	. Pin - Starter pawl	2
15	-66351	. Spring - Starter pawl	2
16	24093	. Pawl - Starter	2
17	103879	Key - Woodruff	1
18	102763	Screw - Hx hd 10-24 x 3/4	4
19	55977	Clip - Breaker box cover	2
20	55766B	Cover Assy - Breaker box	1
21	102763	Screw - Hx hd 10-24 x 3/4	2
22	36388	Lockplate	1
23	57815	Strap - Seal	1
24	50664	Seal - Breaker box drain	1
25	58132	Pin - Piston	1
26	-62883	Piston Assy - Standard (For oversize piston, see pg. 15)	1
27	-62422	. Ring Set - Piston standard (For oversize ring set, see pg. 15)	1
28	-62867	. Bearing - Needle	1
29	-62868	. Bearing - Needle (closed end)	1
30	-47903	Connecting Rod Assy	1
31	-60210A	. Screw - Socket hd 10-32 x 9/16	2
32	-69891	. Roller - Needle	24
33	104230	Speednut	1

Item No.	Part Number	Description	Units Per Assy
34	54184	Wiper - Felt	1
35	110055	Screw - 8-32 x 3/8 (SEMS)	1
36	57829	Clamp - Ignition wire	1
37	-110338	Screw - Fil hd 8-32 x 9/16	1
38	100080	Washer - Plain #8	1
39	-100251	Nut - Hx 8-32	1
40	50074	Condenser	1
41	103748	Screw - Hx hd 8-32 x 1/2	1
42	-100057	Lockwasher - #8	1
43	100080	Washer - Plain #8	1
44	57766	Wire Assy - Primary	1
45	-55782A	Insulator - Breaker	1
46	57769	Insulator - Ignition screw	1
47	57770A	Insulator - Breaker spring	1
48	104553	Lockwasher - #8	1
49	104551	Nut - Hx 8-32	1
	104733	Screw - Fil hd 8-32 x 1/2 (SEMS)	1
50		Washer - Breaker retainer	1
51	-55778E	104733 Screw - Fil hd 8-32 x 1/2 (SEMS)	1
52		Lockplate	1
53	57767A	Breaker Assy	1
54	-57765B	Cover Assy - Crankcase	1
55	-69487	. Nut - Hx 10-24	3
56	101326	. Seal - Oil	1
57	57897	. Seal - Oil	1
58	57898	"O" Ring	1
59	104523	Bearing - Ball	1
60	100824	Bearing - Ball	1
61	104490	Crankshaft	1
62	58128	Crankcase Assy	1
63	-58551A	. Retainer	2
64	28053	. Nut - Hx 10-24	2
65	101326	. Retainer - Nut	6
66	18556A	. Nut - Hx 1/4-20	6
67	-105394	. Seal - Oil	1
68	104486	. Insert - Taplock	3
69	-110034	. Plug - Expansion	3
70	-110340		

5091669

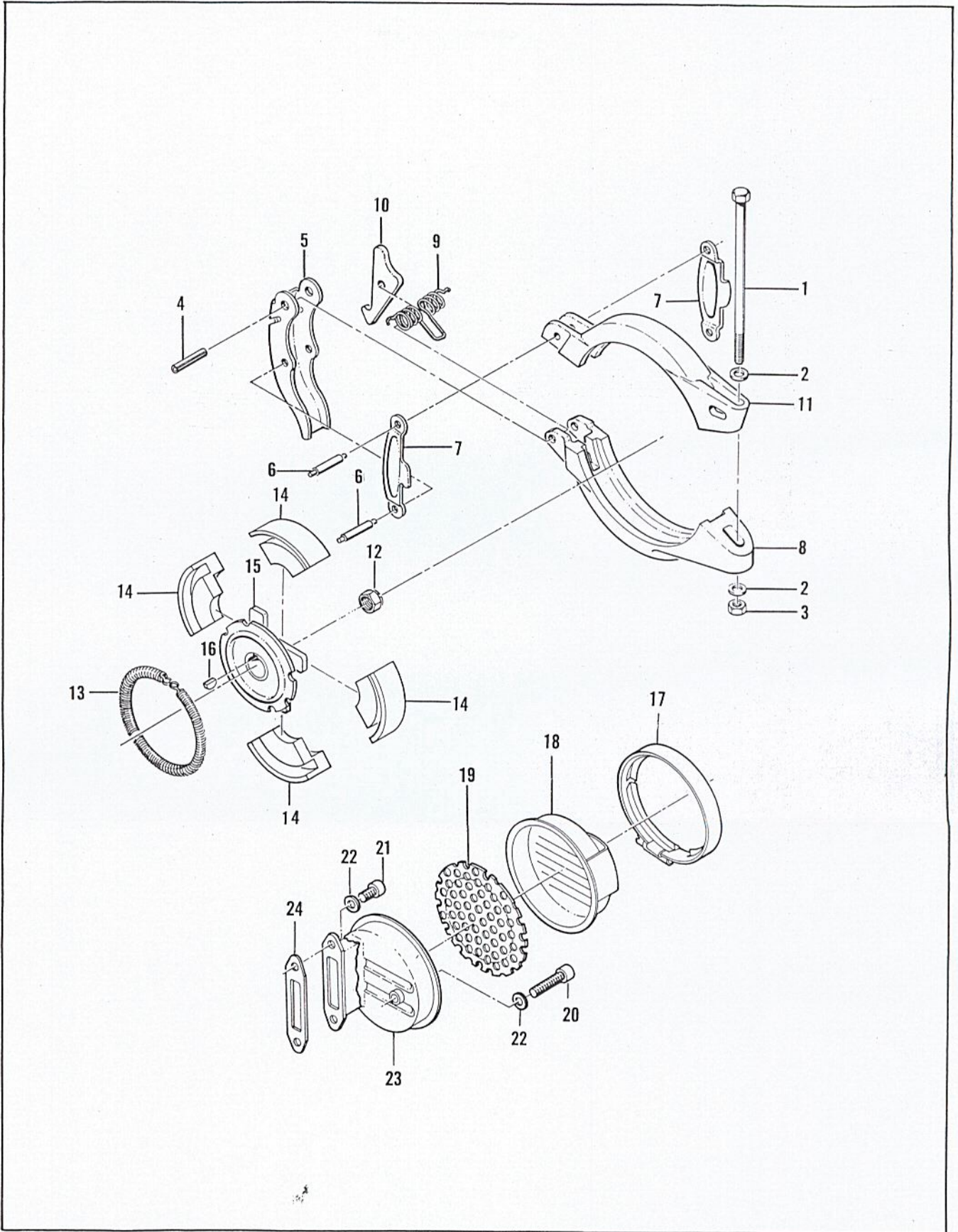


Figure 6. Clamp, Clutch and Muffler

FIGURE 6. CLAMP, CLUTCH AND MUFFLER

Item No.	Part Number	Description	Units Per Assy
	- 58181D	Clamp Assy - Transmission	1
1	104488	. Bolt - Clamp ring	1
2	- 100311	. Washer - Plain 1/4	2
3	101143	. Nut - Hx 1/4-20	1
4	104887	. Pin - Groove 1/4 x 1	1
5	24446	. Lever - Clamp ring	1
6	24447	. Pin - Clamp ring	2
7	- 24445A	. Link - Clamp ring	2
8	- 58186B	. Ring - Clamp (lower)	1
9	24719	. Spring - Latch	1
10	24720	. Latch - Spring	1
11	- 58182A	. Ring - Clamp (upper)	1
12	- 103746	Nut - Flexloc 3/8-24	1
	48712A	Clutch Assy	1
13	51468A	. Spring - Clutch	1

Item No.	Part Number	Description	Units Per Assy
14	51464A	. Shoe - Clutch	4
15	48713	. Rotor Assy - Clutch	1
16	103879	Key - Woodruff	1
17	- 83368	Clamp	1
18	- 68238	Top Assy	1
19	- 69325	Baffle	1
20	- 101563	Screw - Skt hd 10-24 x 1-1/4	1
21	- 104895	Screw - Skt hd 10-24 x 5/8	2
22	- 83745	Washer	3
23	- 68241	Bottom Assy	1
24	53652	Gasket - Muffler	1

6091669

SPECIFICATIONS - MODEL 940

Spark Plug _____ Champion J8J
 Spark Plug Gap _____ 0.025 inch
 Lamination-Flywheel Gap _____ 0.010-0.015 inch
 Breaker Point Gap _____ 0.018 inch

Carburetor Adjustment:

Idle needle _____ 1 turn open; adjust for even idle speed
 and smooth, rapid acceleration
 High speed needle _____ Fixed jet

Torque Values:

Flywheel nut _____ 350-400 inch/pounds
 Clutch nut _____ 240-300 inch/pounds
 Connecting rod screws _____ 105/110 inch/pounds

MODEL
940

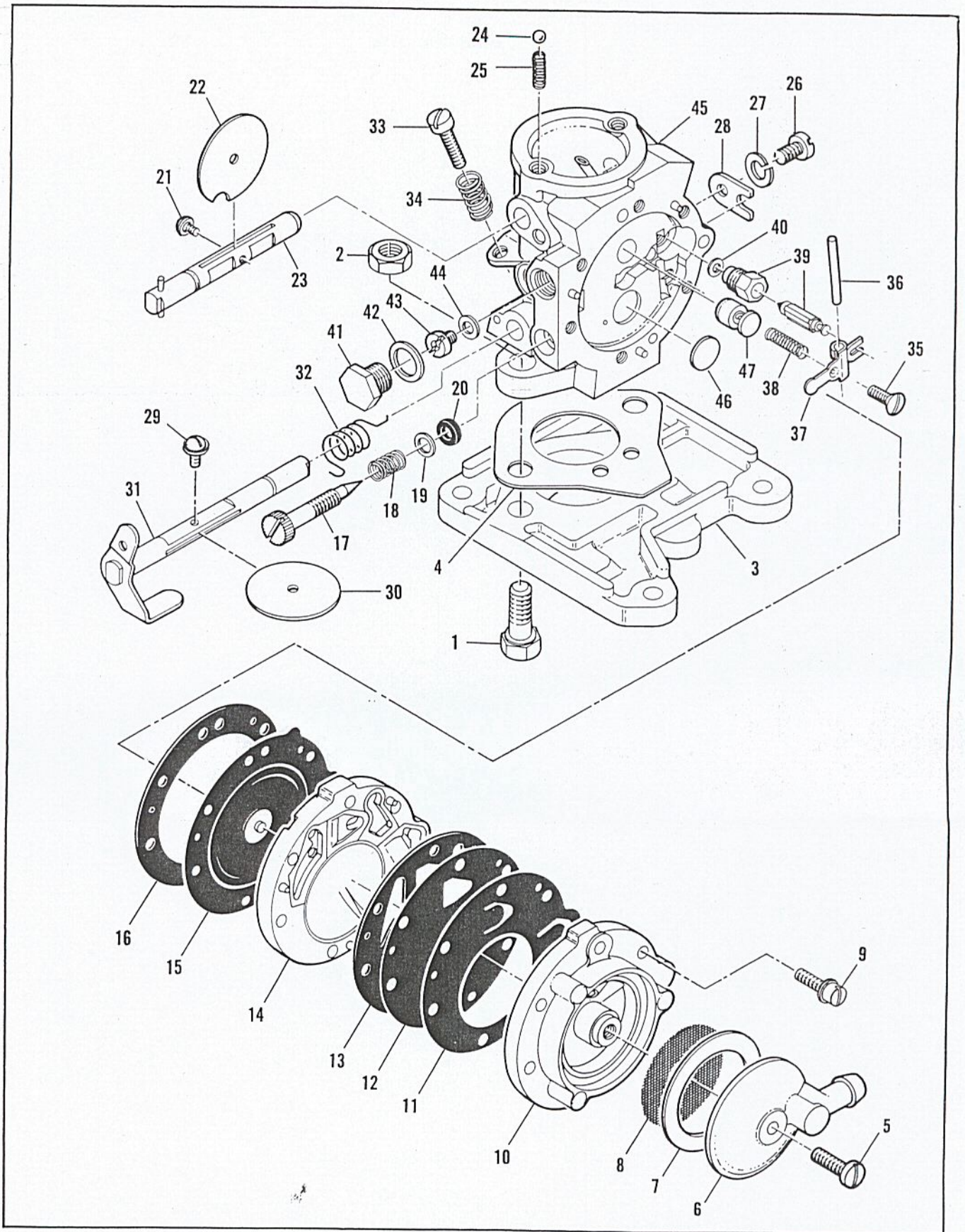


Figure 7. Carburetor and Adapter

FIGURE 7. CARBURETOR AND ADAPTER

Item No.	Part Number	Description	Units Per Assy
1	-102157	Screw - Hx hd 1/4-20 x 5/8	2
2	101143	Nut - Hx 1/4-20	2
3	-69853	Adapter - Carburetor	1
4	-65586	Gasket - Carburetor	1
	-69856	Carburetor Assy	1
5	*51701	. Screw - Fuel strainer cover	1
6	51599	. Cover - Fuel strainer	1
7	48762	. Gasket - Fuel strainer cover	1
8	*48761	. Screen - Fuel strainer	1
9	51597	. Screw Assy - Fuel pump body	6
10	84031	. Body - Fuel pump	1
11	*84030	. Diaphragm - Check valve	1
12	*84029	. Diaphragm - Fuel pump	1
13	65592	. Gasket - Fuel pump	1
14	84027	. Cover - Diaphragm	1
15	*66167	. Diaphragm - Metering	1
16	65591	. Gasket - Diaphragm	1
17	*52935	. Needle - Idle mix	1
18	*52936	. Spring	1
19	52937	. Washer	1
20	52938	. Packing - Needle	1
21	51721	. Screw Assy	1
22	84026	. Shutter - Choke	1
23	84025	. Shaft Assy - Choke	1
24	100071	. Ball - Choke friction	1
25	52930	. Spring - Choke friction	1
26	51717	. Screw	1
27	100252	. Lockwasher	1

Item No.	Part Number	Description	Units Per Assy
28	51716	. Clip - Throttle shaft	1
29	*51721	. Screw Assy	1
30	84041	. Shutter - Throttle	1
31	84039	. Shaft Assy - Throttle	1
32	84040	. Spring - Return	1
33	*52940	. Screw - Idle speed adj.	1
34	*51705	. Spring	1
35	*66644	. Screw	1
36	*84033	. Pin - Inlet valve	1
37	*84032	. Lever - Inlet valve	1
38	*66404	. Spring - Inlet lever	1
39	*84034	. Needle and Seat - Inlet	1
40	51708	. . Gasket - Inlet valve	1
41	84037	. Plug - Main fuel jet	1
42	52941	. Gasket	1
43	*84035	. Jet - Main fuel (0.041 orifice)	1
	84057	. Jet - Main fuel (0.043 orifice)	Alt
	84058	. Jet - Main fuel (0.039 orifice)	Alt
	84059	. Jet - Main fuel (0.037 orifice)	Alt
44	84036	. Gasket - Main fuel jet	1
45	84024	. Body - Carburetor	1
46	*51583	. . Plug - Welch	1
47	84038	. . Nozzle - Check valve	1
	*84042	Gasket & Packing Set	
	84043	Repair Parts Kit	

* Indicates parts contained in Repair Parts Kit #84043.

NOTE -

Alternate main jet orifices are for use in adjusting high speed fuel mixture. Use next smaller orifice if mixture is too rich. Use next larger orifice if mixture is too lean.

Ordinarily the 0.041 and 0.039 orifices will cover the general broad range of cutting conditions. Do not use the 0.037 orifice below 4000 feet altitude. Use the 0.043 orifice only if an extremely rich mixture is desired.

MISCELLANEOUS

Part Number	Description
61040	Wrench and Screwdriver Combination
36248	Wrench - Spark plug
69870	Owner's Manual of Operating Instructions
-62884	Piston Assy - 0.030 in. oversize
-62423	. Ring Set - 0.030 in. oversize
36020B	Sprocket - 6 tooth, 1/2 in. pitch

Part Number	Description
36790A	Sprocket - 6 tooth, 9/16 in. pitch
52069A	Sprocket - 7 tooth, 0.404 in. pitch
36644A	Sprocket - 7 tooth, 1/2 in. pitch
58398	Shim - Transmission clamp ring 0.030 in. thick
58397	Shim - Transmission clamp ring 0.015 in. thick
-65712	Timing Guide