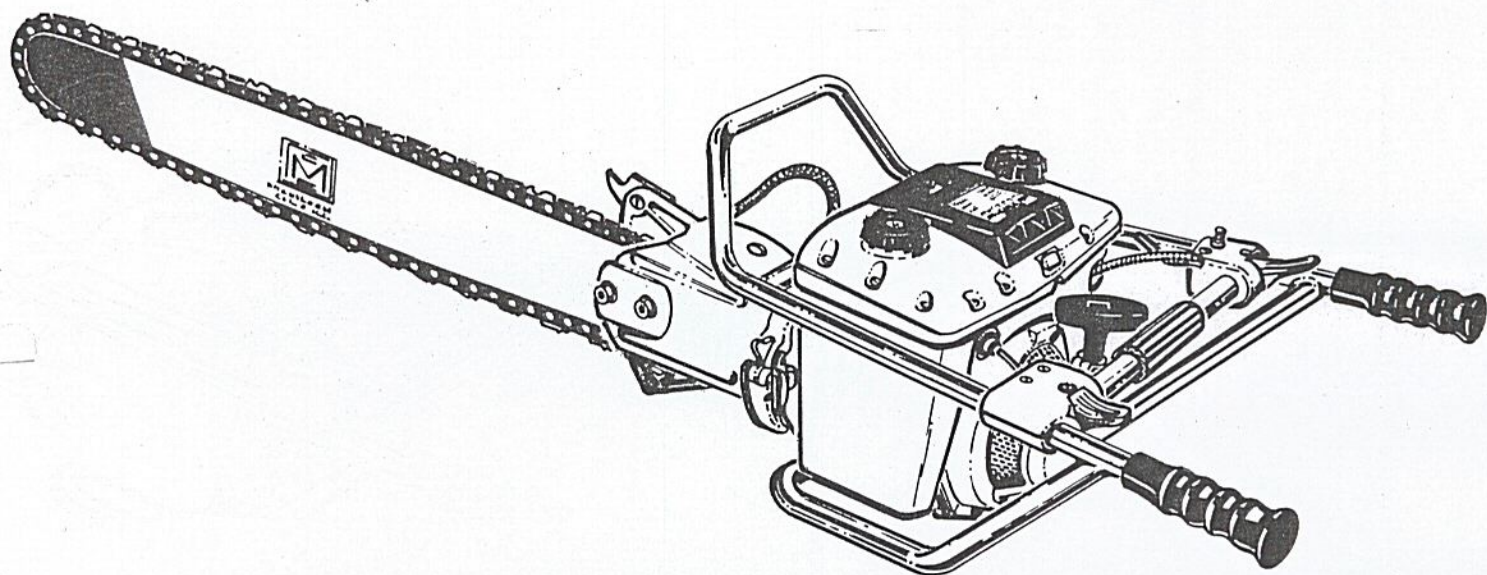


ILLUSTRATED PARTS LIST

May 1963



The following pages contain an illustrated parts list for the Model 940 Chain Saw. Due to small differences between saws, it is important that the Serial Number of your saw be included whenever spare parts are ordered. This will assure receiving the proper parts from your dealer.

	Page
Figure 1. Model 940 Chain Saw	2
Figure 2. Transmission and Sprocket Drive. .	4
Figure 3. Frame and Control Assembly	6
Figure 4. Fuel and Tank Assembly	8
Figure 5. Powerhead Assembly	10
Figure 6. Clamp, Clutch and Muffler	12
Figure 7. Carburetor and Adapter	14



MCCULLOCH CORPORATION
6101 West Century Boulevard,
Los Angeles 45, California

**MODEL
940**

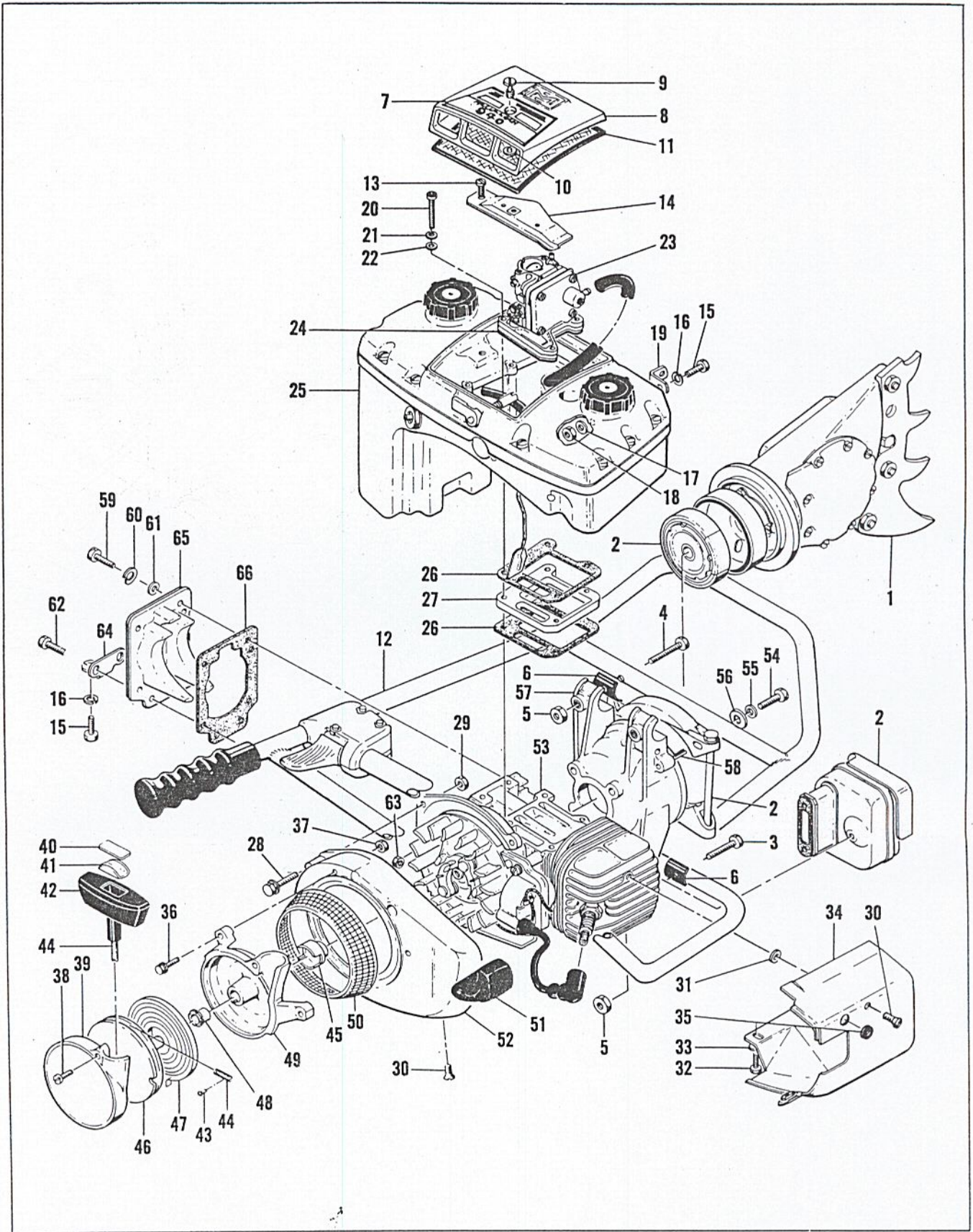


Figure 1. Model 940 Chain Saw

FIGURE 1. MODEL 940 CHAIN SAW

Index No.	Part Number	Nomenclature	Units Per Assy
1		Transmission and Sprocket Drive (See Figure 2)	1
2		Clamp, Clutch and Muffler (See Figure 6)	1
3	102130	Screw - Hx hd 1/4-20 x 1-1/2 in. lg	2
4	102125	Screw - Hx hd 1/4-20 x 1-3/4 in. lg	2
5	101143	Nut - Hx 1/4-20	2
6	50062	Insulator - Frame	4
7	60480	Nameplate	1
8	55484	Cover Assy - Air cleaner	1
9	55032A	. Screw - Air cleaner cover	1
10	103741	. Nut - Special	1
11	55498	Filter	1
12		Frame and Control Assy (See Figure 3)	1
13	102500	Screw - Pan hd 10-24 x 1/2 in. lg	1
14	58266	Anchor Assy - Air cleaner	1
15	100882	Screw - Hx hd 1/4-20 x 3/4 in. lg	3
16	100153	Lockwasher - 1/4 in.	3
17	100005	Washer - Plain 1/4 in.	1
18	101143	Nut - Hx 1/4-20	1
19	58344	Brace - Angle	1
20	104560	Screw - Socket hd 10-24 x 1-1/2 in. lg	4
21	100240	Lockwasher - #10	4
22	100002	Washer - Plain #10	4
23		Carburetor and Adapter (See Figure 7)	1
24	58168	Gasket - Carburetor adapter	1
25		Fuel and Oiler Tank Assy (See Figure 4)	1
26	58330	Gasket - Fuel tank insulator	2
27	57771B	Insulator - Fuel tank	1
28	104816	Screw - Hx hd 10-24 x 1-1/4 in. lg (SEMS)	3
29	101191	Nut - Hx 10-24	2
30	104002	Screw - Pan hd 10-24 x 1/2 in. lg	2
31	100003	Washer - Plain #10	1
32	100732	Screw - Hx hd 1/4-20 x 5/8 in. lg	2
33	100005	Washer - Plain 1/4 in.	2
34	58320	Shroud Assy - Cylinder	1
35	101230	. Grommet	1
36	104815	Screw - Hx hd 10-24 x 7/8 in. lg (SEMS)	3
37	101191	Nut - Hx 10-24	3
	60130	Starter Assy	1
38	104396	. Screw - Pan hd 10-24 x 3/4 in. lg	2
39	60647	. Cover - Starter	1
40	57232	. Plate - Starter handle	1
41	57231	. Cup - Starter handle	1
42	57230	. Handle - Starter	1
43	101136	. Rivet	1
44	28716	. Rope - Starter	1
45	57790	. Ratchet - Starter	1
46	57792	. Drum - Starter	1
47	51665	. Spring - Starter rewind	1
48	57535	. Bushing - Starter base	2
49	60646	. Base - Starter	1
50	50581A	Screen - Sawdust	1
51	57565	Cover Assy - Spark plug	1
52	58314	Fan Housing Assy	1
53		Powerhead Assy (See Figure 5)	1
54	103258	Screw - Hx hd 1/4-20 x 1-1/8 in. lg	4
55	100005	Washer - Plain 1/4 in.	4
56	36306	Lockplate	4
57	58229	Housing Assy - Clutch	1
58	102036	. Pin - Roll 1/4 in. dia	2
59	101982	Screw - Hx hd 1/4-20 x 1 in. lg	4
60	100153	Lockwasher - 1/4	4
61	100005	Washer - Plain 1/4	4

60644
5-63 ©

This list is continued on page 5

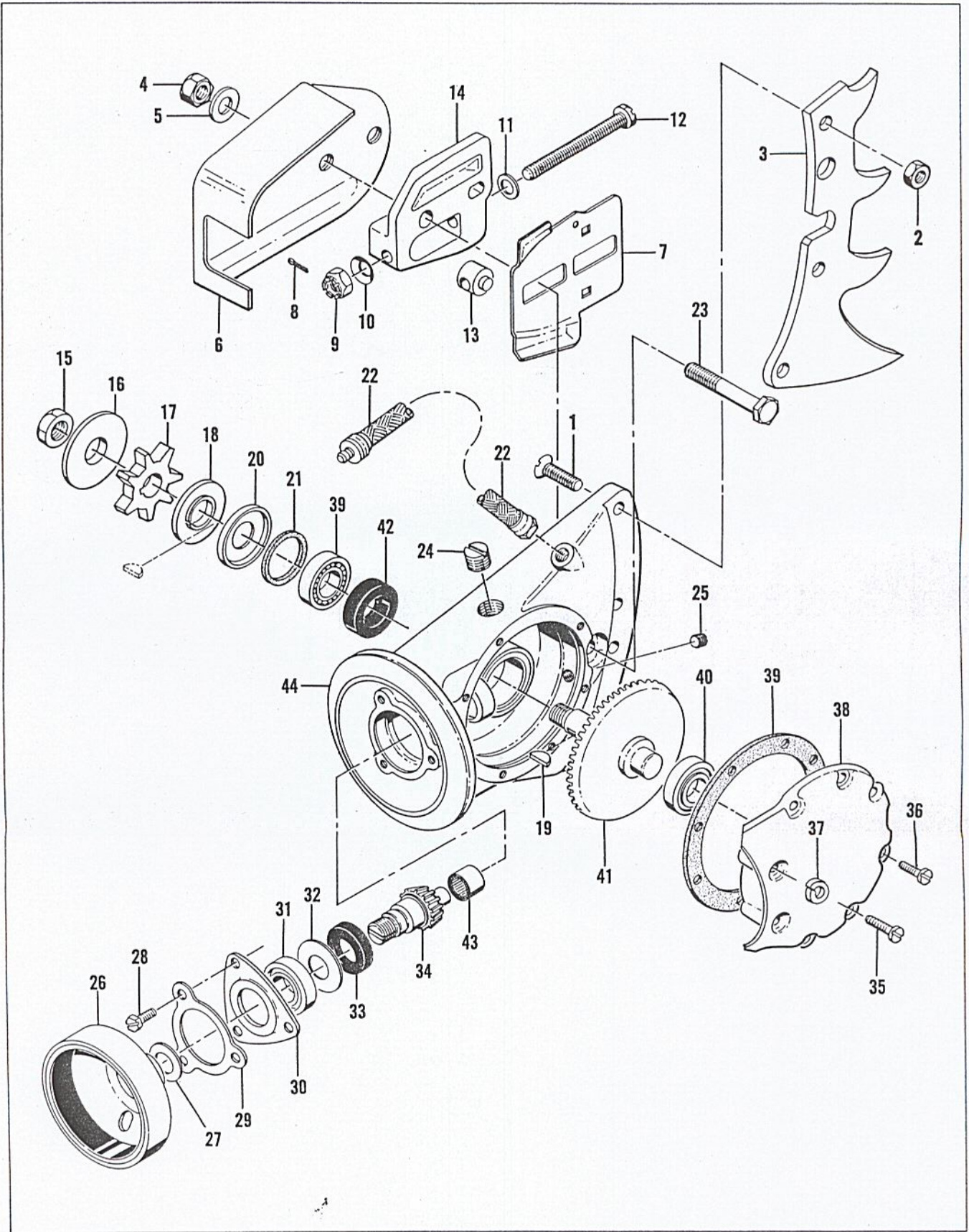


Figure 2. Transmission and Sprocket Drive

FIGURE 1. MODEL 940 CHAIN SAW (CONT)

Index No.	Part Number	Nomenclature	Units Per Assy
62	102121	Screw - Hx hd 1/4-20 x 7/8 in. lg	2
63	101143	Nut - Hx 1/4-20	2
64	58151	Brace - Fuel tank	1
65	58139A	Cover - Crankcase bottom	1
66	58166A	Gasket - Crankcase bottom	1

FIGURE 2. TRANSMISSION AND SPROCKET DRIVE

Index No.	Part Number	Nomenclature	Units Per Assy
1	104489	Screw - Flat hd 5/16-18 x 7/8 in. lg	3
2	101330	Nut - Hx 5/16-18	3
3	58191	Spike	1
4	103729	Nut - Hx 3/8-24	2
5	100006	Washer - Plain 3/8 in.	2
6	58127	Guard Assy - Chain	1
7	28066A	Plate - Protector	1
	58230	Clamp Assy - Bar adjusting	1
8	100010	Pin - Cotter 1/16 x 1/2 in. lg	1
9	102022	Nut - Castle 5/16-24	1
10	24260	Spring - Thrust	1
11	100007	Washer - Plain 5/16 in.	1
12	102193	Screw - Hx hd 5/16-24 x 3-1/2 in. lg	1
13	19708	Nut - Bar adjusting	1
14	58231	Plate - Bar adjusting	1
15	100836	Nut - Hx jam 1/2-20	1
16	36862	Shroud - Sprocket (large)	1
17	36791A	Sprocket - 7 tooth, 9/16 in. pitch	1
18	36019A	Shroud - Sprocket (small)	1
19	100256	Key - Woodruff #6	1
20	19162	Shield - Dust	1
21	36155	Felt - Dust shield	1
22	58223	Line - Quick disconnect oil	1
	58133	Transmission Assy	1
23	57217	. Bolt - Bar mounting	2
24	101003	. Plug - Pipe	1
25	104218	. Plug - Pipe	1
26	58134	. Drum Assy - Clutch	1
27	58348	. Spacer - Clutch drum	1
28	102388	. Screw - Hx hd 10-24 x 5/8 in. lg	3
29	58350	. Lockplate	1
30	58349	. Retainer - Bearing	1
31	104422	. Bearing	1
32	58345	. Shim - Pinion 0.003 in. thick	As Req.
	58346	. Shim - Pinion 0.010 in. thick	As Req.
	58347	. Shim - Pinion 0.015 in. thick	As Req.
33	58351	. Seal - Oil	1
34	*	. Pinion	1
35	104398	. Screw - Pan hd 12-24 x 1 in. lg	2
36	104395	. Screw - Pan hd 10-24 x 5/8 in. lg	6
37	100240	. Lockwasher - #10	8

*Matched gear set - Order Gear Set P/N 58352.

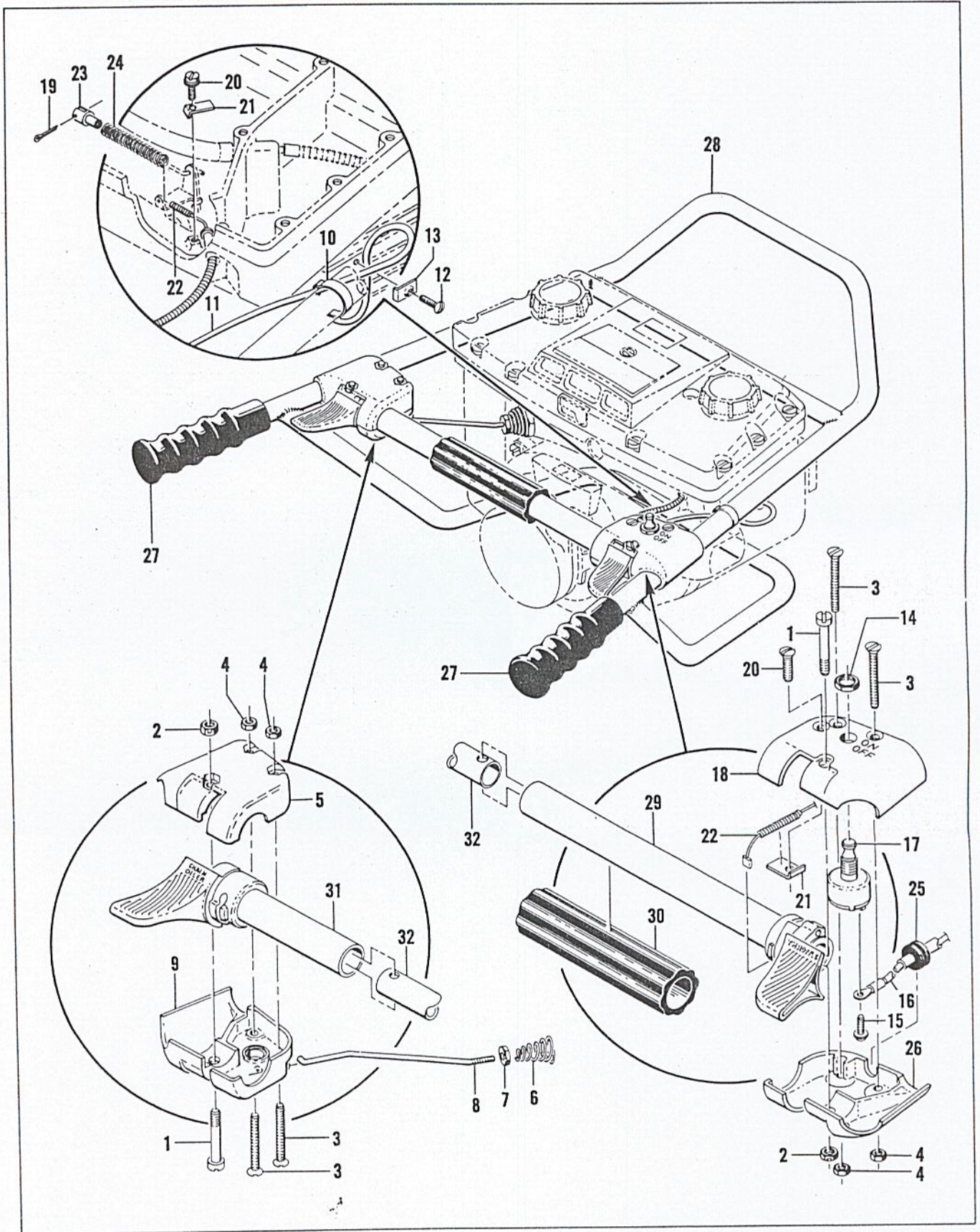


Figure 3. Frame and Control Assembly

FIGURE 2. TRANSMISSION AND SPROCKET DRIVE (CONT)

Index No.	Part Number	Nomenclature	Units Per Assy
38	58124	. Cover - Gearcase	1
39	58193	. Shim - Cover 0.005 in. thick	As Req.
	58207	. Shim - Cover 0.012 in. thick	As Req.
	58208	. Shim - Cover 0.020 in. thick	As Req.
40	103482	. Bearing - Ball	2
41	*	. Gear - Bevel	1
42	102577	. Seal - Oil	1
43	104487	. Bearing - Needle	1
44	58125	. Gearcase	1

*Matched gear set - Order Gear Set P/N 58352.

FIGURE 3. FRAME AND CONTROL ASSEMBLY

Index No.	Part Number	Nomenclature	Units Per Assy
1	102292	Screw - Fil hd 1/4-20 x 1-1/2 in. lg	2
2	101143	Nut - Hx 1/4-20	2
3	102132	Screw - Flat hd 10-24 x 1-3/4 in. lg	4
4	101326	Nut - Hx 10-24	4
5	24593	Cover - Oiler lever (top)	1
6	58209	Spring - Oiler rod	1
7	104066	Locknut - 10-32	1
8	58157	Pushrod - Oiler	1
9	58260	Cover - Oiler lever (bottom)	1
10	18909A	Clip - Cable	1
11	58224	Wire Assy - Ignition	1
12	101386	Screw - Oval hd 10-24 x 5/8 in. lg	1
13	24547	Clamp - Bowden wire	1
14	104810	Nut - Special	1
15	103934	Screw - 6-32 x 1/4 in. lg (SEMS)	1
16	24182	Wire Assy - Ignition switch	1
17	104809	Switch - Ignition	1
18	58386	Cover - Throttle lever (top)	1
19	101901	Pin - Cotter 0.06 x 3/8 in. lg	1
20	101966	Screw - Rd hd 10-24 x 5/8 in. lg (SEMS)	1
21	58155	Clamp - Throttle wire	1
22	58225	Wire Assy - Throttle	1
23	18360A	. Clevis - Throttle	1
24	18379A	. Spring - Throttle	1
25	101283	Grommet	1
26	24593	Cover - Throttle lever (bottom)	1
27	18207A	Grip - Handle	2
28	58194A	Frame Assy	1
29	58147	. Lever Assy - Throttle	1
30	18202A	. Grip - Hand	1
31	58146	. Lever Assy - Oiler	1
32	58145	. Crossbar - Frame	1

MODEL 940

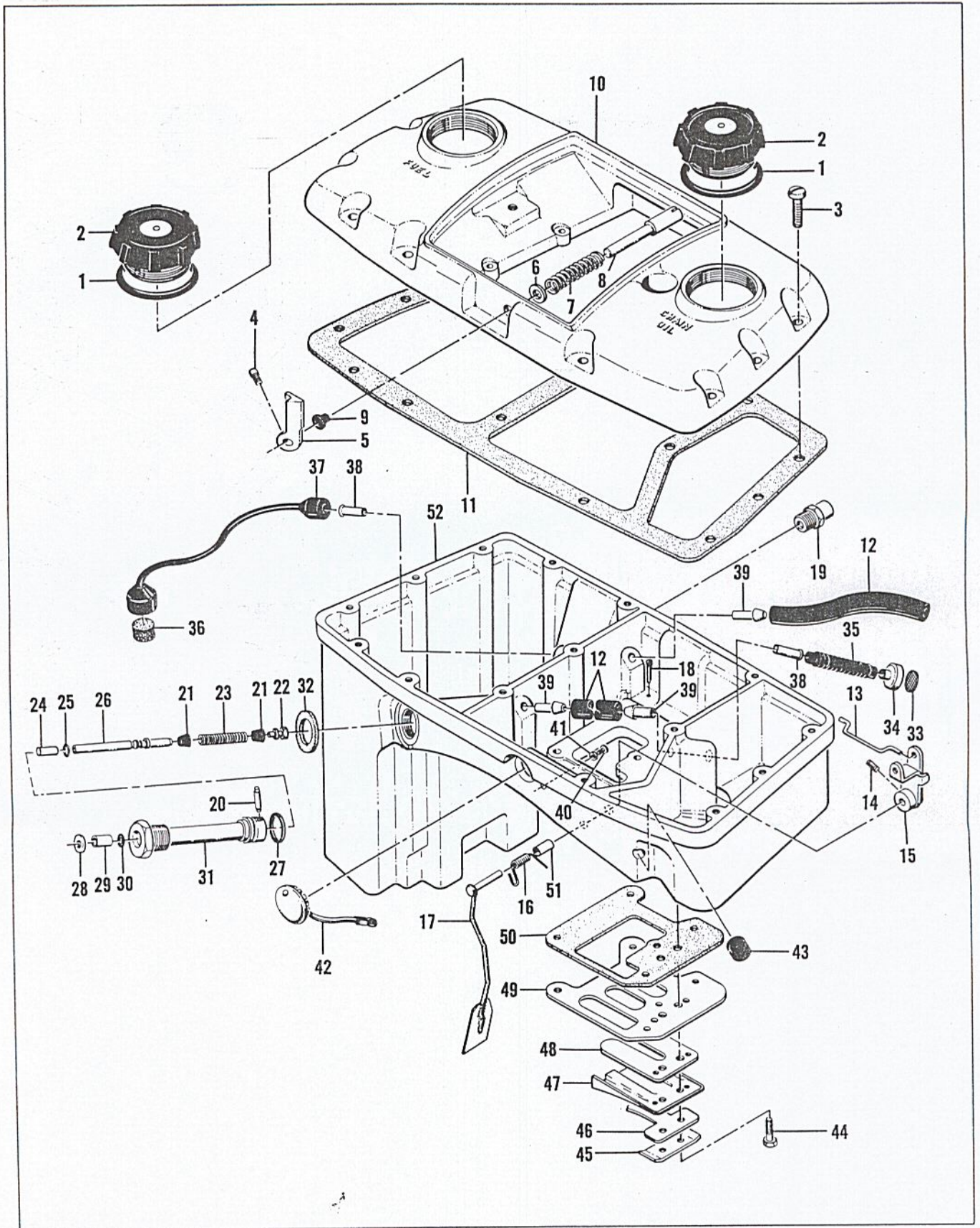


Figure 4. Fuel and Oil Tank Assembly

#60644
5-63

FIGURE 4. FUEL AND OIL TANK ASSEMBLY

Index No.	Part Number	Nomenclature	Units Per Assy
1	101348	"O" Ring	2
2	55934B	Cap Assy	2
3	104397	Screw - Pan hd 10-24 x 7/8 in. lg	15
4	103183	Screw - Set 5-40	1
5	58222	Lever - Choke	1
6	100644	Washer - Plain 1/4 in.	1
7	19236	Spring	1
8	58218	Extension - Choke shaft	1
9	58237	Grommet	1
10	58137	Cover - Fuel tank	1
11	58173A	Gasket - Fuel tank	1
12	58143	Hose - Fuel and oil pickup	2
13	58258	Rod - Throttle	1
14	104106	Screw - Set 6-32 x 3/15 in. lg	1
15	58250	Lever Assy - Governor arm	1
16	55966B	Spring - Governor arm	1
17	58248B	Arm Assy - Governor	1
18	104310	Pin - Cotter	1
19	58219	Fitting Assy - Quick disconnect	1
	47571	Pump Assy - Oil	1
20	24106	. Pin - Oil pump	1
21	24104A	. Cup - Packing	2
22	24105A	. Plug - Oil pump	1
23	28215	. Spring - Oil pump	1
24	24102	. Sleeve - Oil pump	1
25	101258	. "O" Ring	1
26	24938	. Plunger - Oil pump	1
27	101218	. "O" Ring	1
28	100950	. Washer - Plain 1/4 in.	1
29	24108	. Seal - Oil pump	1
30	101056	. "O" Ring	1
31	47553	. Body Assy - Oil pump	1
32	24120	. Gasket	1
	51505	Weight Assy - Oil pump	1
33	51506	. Screen - Oil pump	1
34	51509	. Weight - Oil pump	1
35	28007	Hose - Oil pump	1
36	50124A	Filter - Felt	1
37	50082	Hose - Fuel pickup	1
38	58766	Nipple - Tube	2
39	57590	Nipple - Tube	3
40	110006	Rivet - Oval 1/8 x 11/32 in. lg	1
41	101871	Washer - Plain 1/8 in.	1
42	51396A	Cover Assy - Adjustment hole	1
43	101283	Grommet - Throttle control	1
44	103740	Screw - Hx hd 8-32 x 5/8 in. lg	2
45	51480	Lockplate	1
46	58658	Clamp - Reed valve	1
47	57654	Deflector - Fuel	1
48	58399	Valve - Reed	1
49	57656B	Plate - Reed valve	1
50	58328A	Gasket - Fuel tank	1
51	58238	Bushing - Governor shaft	1
52	58140	Tank - Fuel and oil	1

MODEL 940

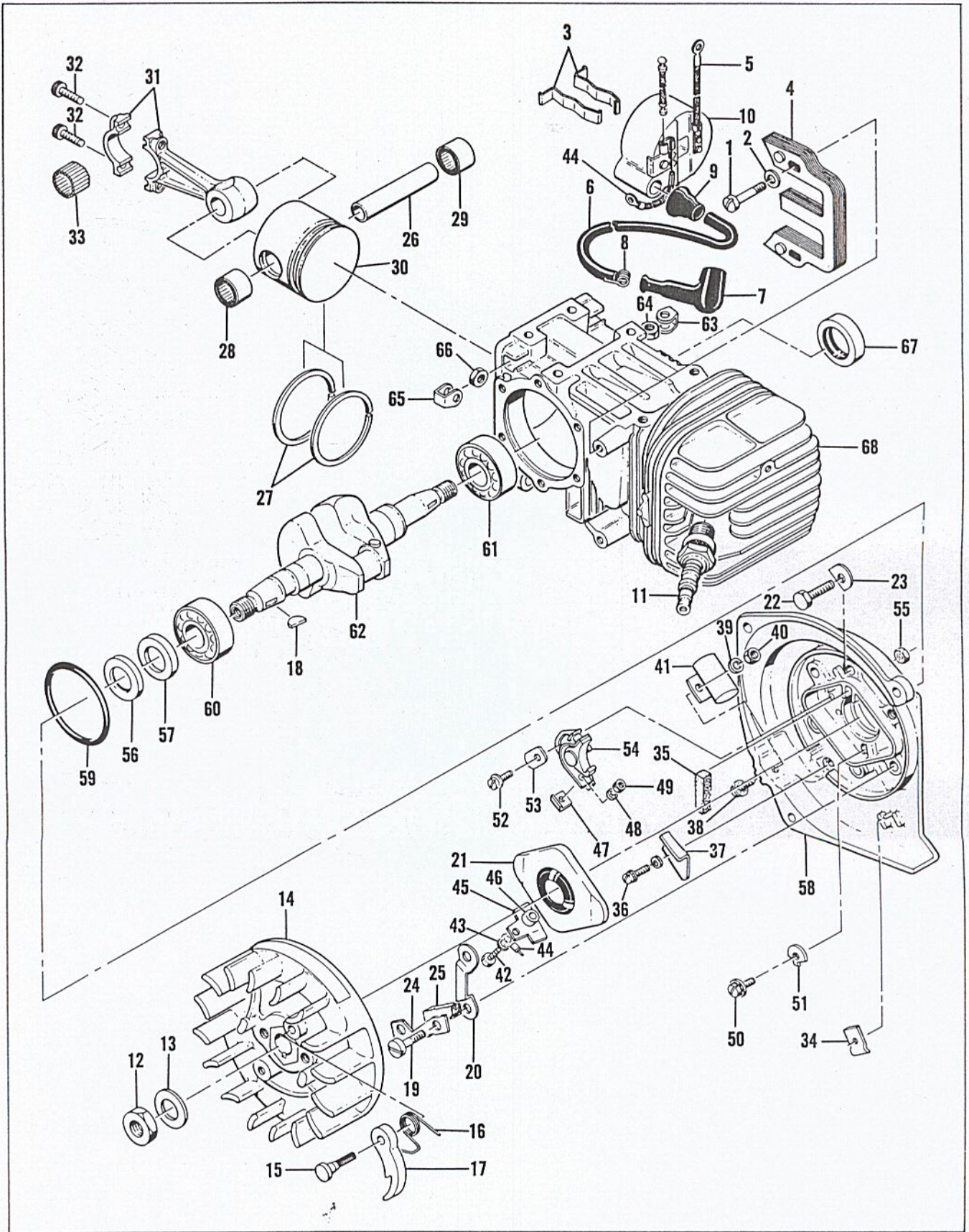


Figure 5. Powerhead Assembly

FIGURE 5. POWERHEAD ASSEMBLY

Index No.	Part Number	Nomenclature	Units Per Assy
1	101965	Screw - Fil hd 10-24 x 7/8 in. lg (SEMS)	2
2	100003	Washer - Plain #10	2
3	51253	Retainer - Coil	2
4	51251	Lamination Assy - Coil	1
	55949A	Coil and Terminal Assy	1
5	101883	Wire Assy - Ground	1
6	52547	Wire Assy - Spark plug	1
7	55060	Boot - Spark plug	1
8	55061	Connector - Spark plug wire	1
9	55617	Nipple - Spark plug wire	1
10		Coil Assy (Order Coil and Terminal Assy #55949A)	1
11		Spark Plug - 14 mm	1
12	101179	Nut - Hx hd 7/16-20	1
13	101270	Washer - Plain 7/16 in.	1
14	48785B	Flywheel Assy	1
15	36144B	Pin - Starter pawl	2
16	50582	Spring - Starter pawl	2
17	24093	Pawl - Starter	2
18	103879	Key - Woodruff	1
19	102763	Screw - Hx hd 10-24 x 3/4 in. lg	4
20	55977	Clip - Breaker box cover	2
21	55766B	Cover Assy - Breaker box	1
22	102763	Screw - Hx hd 10-24 x 3/4 in. lg	2
23	36388	Lockplate	1
24	57815	Strap - Seal	1
25	50664	Seal - Breaker box drain	1
26	58132	Pin - Piston	1
	58666	Piston Assy - Standard (For oversize piston, see page 15)	1
27	58353	Ring Set - Piston standard (For oversize ring set, see page 15)	1
28	101206	Bearing - Needle	1
29	104378	Bearing - Needle (closed end)	1
30		Piston (Order Piston Assy #58666)	1
31	55009A	Connecting Rod Assy	1
32	60211	Screw - Socket hd 10-32 x 9/16 in. lg	2
33	102742	Roller - Needle	24
34	104230	Speednut	1
35	54184	Wiper - Felt	1
36	110055	Screw - 8-32 x 3/8 in. lg (SEMS)	1
37	57829	Clamp - Ignition wire	1
38	104733	Screw - Fil hd 8-32 x 1/2 in. lg	1
39	100080	Washer - Plain #8	1
40	100955	Nut - Hx 8-32	1
41	50074	Condenser	1
42	103748	Screw - Hx hd 8-32 x 1/2 in. lg	1
43	100080	Washer - Plain #8	1
44	57766	Wire Assy - Primary	1
45	55782	Insulator - Breaker	1
46	57769	Insulator - Ignition screw	1
47	57770A	Insulator - Breaker spring	1
48	104553	Lockwasher - #8	1
49	104551	Nut - Hx 8-32	1
50	104733	Screw - Fil hd 8-32 x 1/2 in. lg (SEMS)	1
51	55778C	Washer - Breaker retainer	1
52	104733	Screw - Fil hd 8-32 x 1/2 in. lg (SEMS)	1
53	57767A	Lockplate	1
54	57765A	Breaker Assy	1
	57827	Cover Assy - Crankcase	1
55	101326	Nut - Hx 10-24	1
56	57897	Seal - Oil	1
57	57898	Seal - Oil	1
58		Cover - Crankcase (Order Cover Assy #57827)	1
59	104523	"O" Ring	1

#60644
5-63

This list is continued on page 13

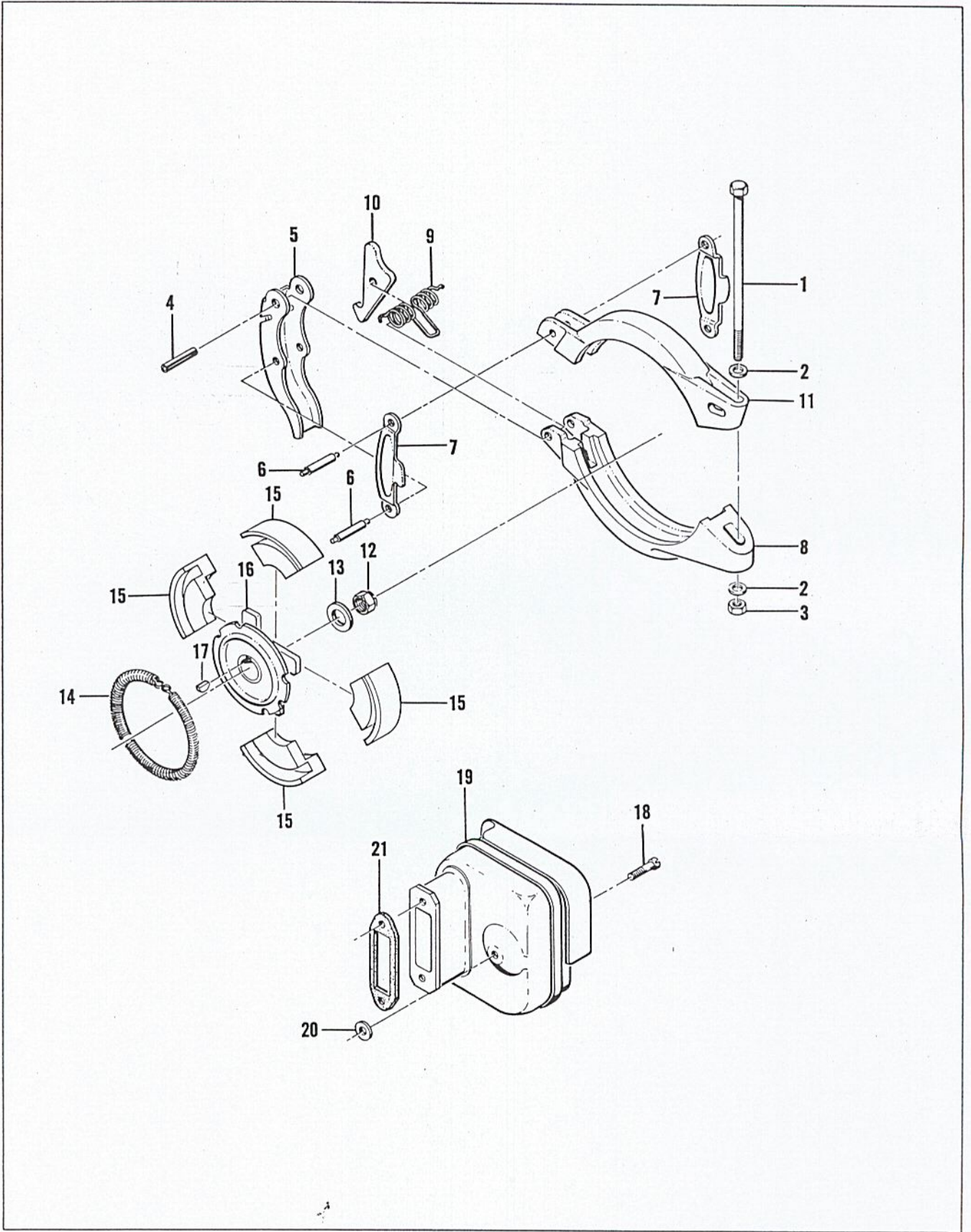


Figure 6. Clamp, Clutch and Muffler

FIGURE 5. POWERHEAD ASSEMBLY (CONT)

Index No.	Part Number	Nomenclature	Units Per Assy
60	100824	Bearing - Ball	1
61	104490	Bearing - Ball	1
62	58128	Crankshaft	1
	58551	Crankcase Assy	1
63	28053	. Retainer	1
64	101326	. Nut - Hx 10-24	2
65	18556A	. Retainer - Nut	2
66	101143	. Nut - Hx 1/4-20	6
67	104486	. Seal - Oil	6
68		. Crankcase	1
		(Order Crankcase Assy #58551)	1

FIGURE 6. CLAMP, CLUTCH AND MUFFLER

Index No.	Part Number	Nomenclature	Units Per Assy
	58181B	Clamp Assy - Transmission	1
1	104488	. Bolt - Clamp ring	1
2	100005	. Washer - Plain 1/4 in.	2
3	101143	. Nut - Hx 1/4-20	1
4	104887	. Pin - Groove 1/4 x 1 in. lg	1
5	24446	. Lever - Clamp ring	1
6	24447	. Pin - Clamp ring	1
7	24445	. Link - Clamp ring	2
8	58186A	. Ring - Clamp (lower)	2
9	24719	. Spring - Latch	1
10	24720	. Latch - Spring	1
11	58182	. Ring - Clamp (upper)	1
12	103746	Nut - Flexloc 3/8-24	1
13	104349	Washer - Plain 3/8 in.	1
	48712A	Clutch Assy	1
14	51468A	. Spring - Clutch	1
15	51464A	. Shoe - Clutch	1
16	48713	. Rotor Assy - Clutch	4
17	103879	Key - Woodruff	1
18	102660	Screw - Socket hd 10-24 x 7/8 in. lg	1
19	58574	Muffler Assy	3
20	58651	Washer - Insulator	1
21	53652	Gasket - Muffler	1

FIGURE 7. CARBURETOR AND ADAPTER

Index No.	Part Number	Nomenclature	Units Per Assy
1	104516	Screw - Hx hd 1/4-20 x 5/8 in. lg	2
2	101143	Nut - Hx 1/4-20	2
3	58138	Adapter - Carburetor	1
4	51161D	Gasket - Carburetor	1
	58170B	Carburetor Assy	1
5	104520	. Screw - Pan hd 10-24 x 7/8 in. lg	1
	48836	. Body Assy - Fuel pump	4
6	104511	. . Screw - Pan hd 6-32 x 7/8 in. lg	1
7	48851	. . Sgal - Inlet screw	1
8	48849	. . Inlet - Fuel	1
9	48838	. . Gasket - Fuel inlet	1
10	57277	. . Filter - Fuel pump	1

#60644
5-63

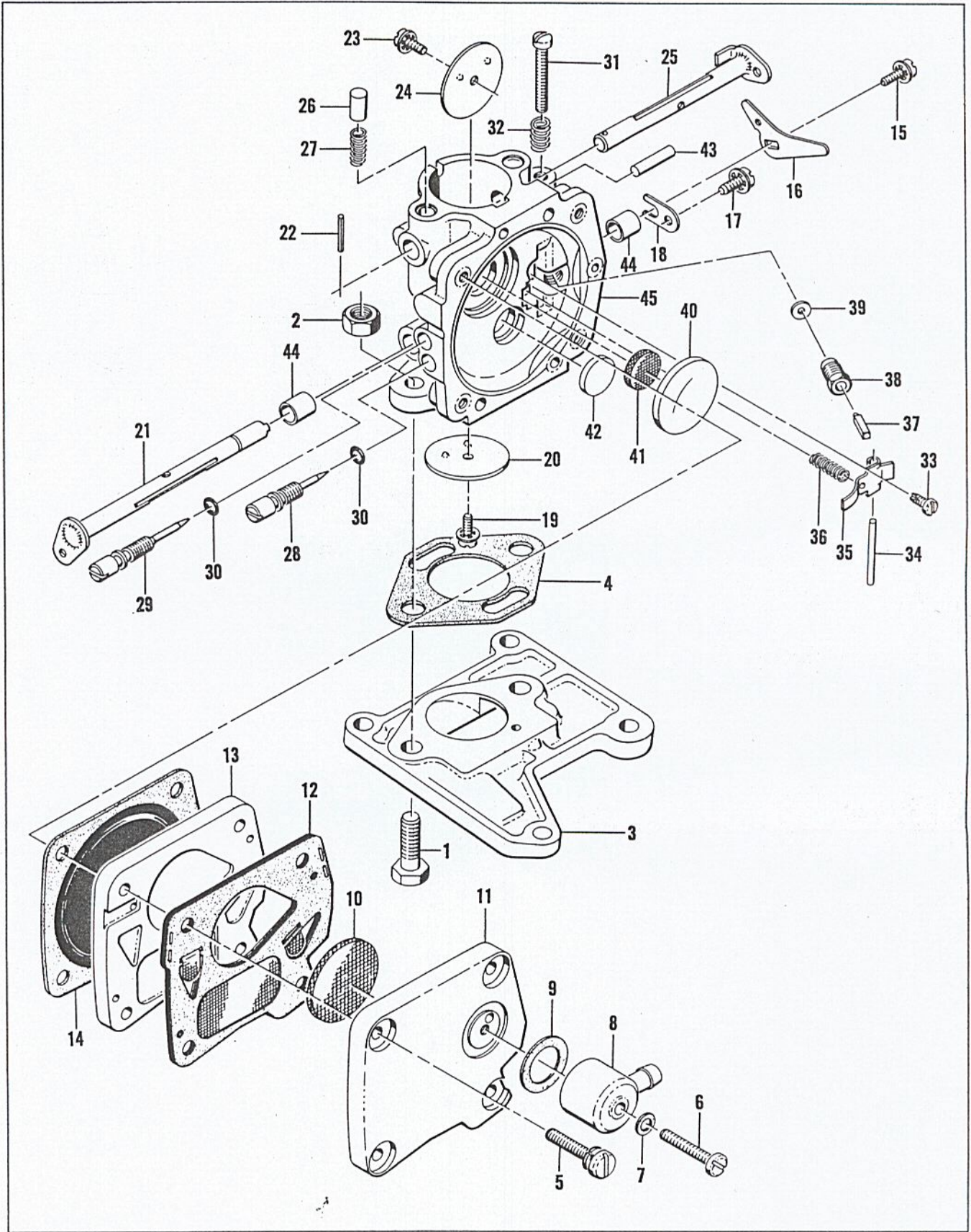


Figure 7. Carburetor and Adapter

FIGURE 7. CARBURETOR AND ADAPTER (CONT)

11	 Body - Fuel pump (Order Body Assy #48836)	1
12	57274A Diaphragm Assy - Fuel pump	1
13	57272A Plate - Carburetor diaphragm	1
14	55067C Diaphragm - Carburetor	1
15	104815 Screw - Pan hd 4-40 x 1/4 in. lg	1
16	50701A Arm - Throttle shaft	1
17	110055 Screw - 8-32 x 3/8 in. lg (SEMS)	1
18	55082 Clip - Carburetor shaft	1
19	104814 Screw - Pan hd 4-40 x 1/4 in. lg (SEMS)	1
20	55085 Plate - Throttle	1
21	58216 Shaft Assy - Throttle	1
22	101500 Pin - Roll 5/8 x 1/2 in. lg	1
23	104814 Screw - Pan hd 4-40 x 1/4 in. lg (SEMS)	1
24	55085 Plate - Choke	1
25	58214 Shaft Assy - Choke	1
26	48758 Detent - Carburetor	1
27	48759 Spring - Carburetor detent	1
28	55090 Needle - Idle fuel adjusting	1
29	57078 Needle - Main fuel adjusting	1
30	104001 "O" Ring	2
	58368B Body Assy - Carburetor	1
31	55397 Screw - Fil hd 8-36 x 15/16 in. lg	1
32	51705 Spring - Idle speed adjusting	1
33	104164 Screw - Pan hd 4-40 x 1/4 in. lg	1
34	104305 Pin - Carburetor lever	1
35	55688 Lever - Inlet control	1
36	57172 Spring - Inlet control	1
37	59710 Needle - Inlet valve	1
38	58969 Body - Inlet valve	1
39	55689 Washer - Inlet valve	1
40	104407 Plug - Expansion 1 in. dia.	1
41	55690B Seal - Capillary	1
42	102758 Plug - Expansion 1/2 in. dia	1
43	104210 Pin - Groove	1
44	55062A Bushing - Carburetor body	2
45	 Body - Carburetor (Order Body Assy #58368B)	1

ITEMS FURNISHED WITH YOUR SAW

Part Number	Nomenclature
51445A	Wrench and Screwdriver Combination
14168A	Wrench - Spark plug
60645	Owner's Manual of Operating Instructions
56625A	Chain Maintenance Manual

MISCELLANEOUS

Part Number	Nomenclature
58668	Piston Assy - 0.010 in. oversize
58394	. Ring Set - 0.010 in. oversize
58667	Piston Assy - 0.020 in. oversize
58354	. Ring Set - 0.020 in. oversize
58669	Piston Assy - 0.030 in. oversize
58395	. Ring Set - 0.030 in. oversize
36020B	Sprocket - 6 tooth, 1/2 in. pitch
36790A	Sprocket - 6 tooth, 9/16 in. pitch
52069A	Sprocket - 7 tooth, 0.404 in. pitch
36644A	Sprocket - 7 tooth, 1/2 in. pitch
58398	Shim - Transmission clamp ring 0.030 in. thick
58397	Shim - Transmission clamp ring 0.015 in. thick
58387	Switch Assy - Ignition