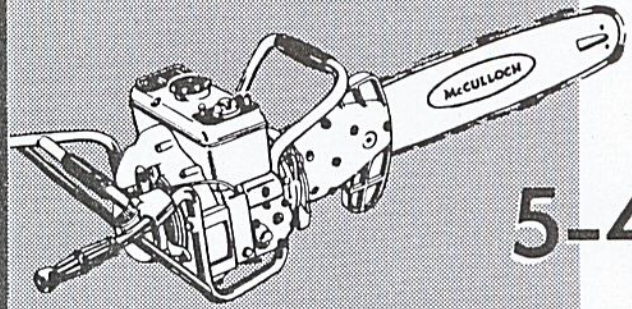
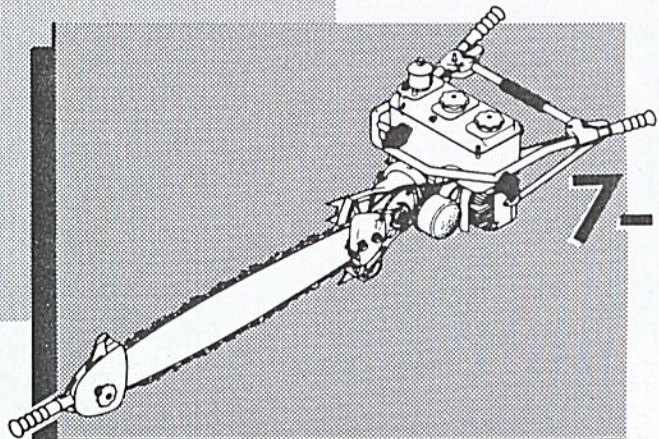


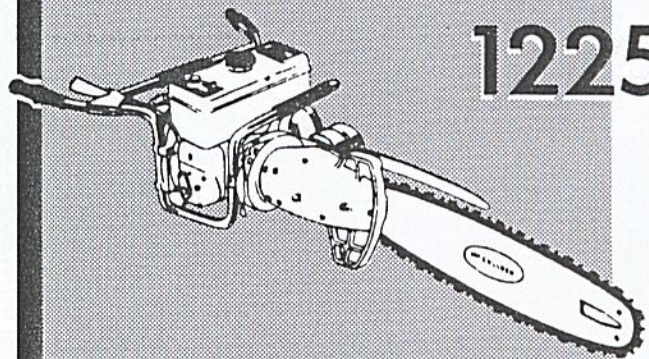
ILLUSTRATED PARTS LIST



5-49



7-55



1225A

This Master Illustrated Parts List gives the name, number and interchangeability between engines, of service and replacement parts which were used on or are presently available for installation on the listed chain saw models.

Information about the List and how to use it will be found on the back cover. Read the information before you start to use the List.



No. 56776

MCCULLOCH CORPORATION

Los Angeles 45, California

5-49, 7-55 AND
1225A ENGINES

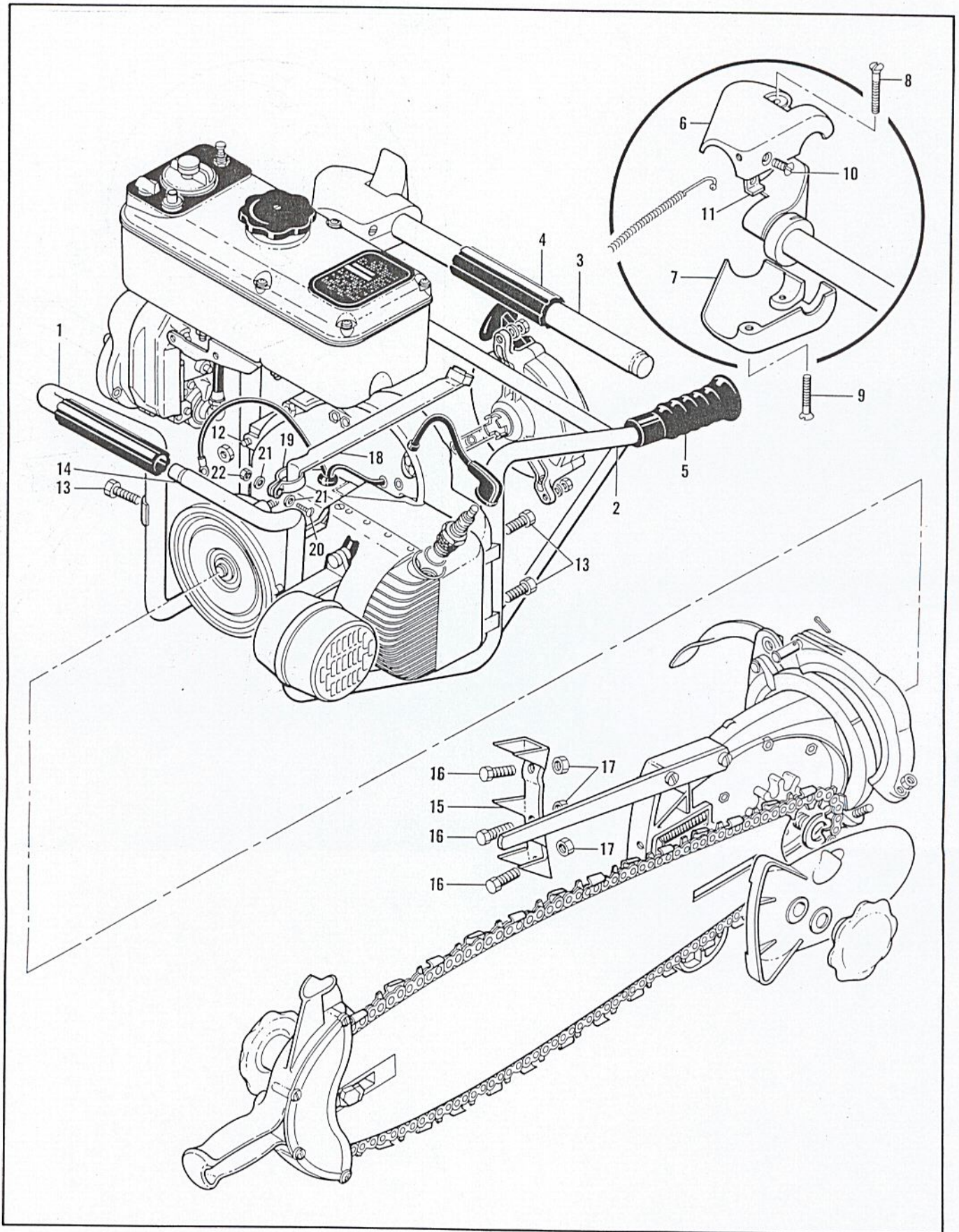


Figure 1. Model 5-49 and 1225A Chain Saw Engines

FIGURE 1. MODEL 5-49 AND 1225A CHAIN SAW ENGINES

FIG. & INDEX NO.	PART NO.	DESCRIPTION							UNITS PER ASSY	USABLE ON CODE
		1	2	3	4	5	6	7		
		Code: "A ¹ " indicates parts used on early Model 5-49 engines.								
		"A ² " indicates parts used on later Model 5-49 engines.								
		"A" indicates parts used on all Model 5-49 engines.								
		"B ¹ " indicates parts used on early Model 1225A engines.								
		"B ² " indicates parts used on later Model 1225A engines.								
		"B" indicates parts used on all Model 1225A engines.								
	*18260A	Frame Assembly (This was replaced by Frame Assembly #18908A)							1	A ¹ , B ¹
	*18908A	Frame Assembly							1	A ² , B ²
1-1	*18327A	. Frame Member - R.H.							1	A ¹ , B ¹
	*38035	. Frame Member - R.H.							1	A ² , B ²
-2	18326A	. Frame Member - L.H.							1	A,B
-3	18258A	. Tube Assembly - Control							1	A,B
-4	18202A	. Hand Grip							2	A,B
-5	18207A	. Handle Grip							2	A,B
-6	18347A	. Guard - Throttle							1	A,B
-7	18350A	. Guard - Throttle							1	A,B
-8	101073	. Screw - Oval hd 10-24 x 1-1/4 in. lg							1	A,B
-9	101072	. Screw - Oval hd 10-24 x 3/4 in. lg							1	A,B
-10	101066	. Screw - Oval hd 10-24 x 1/2 in. lg							1	A,B
-11	18374A	. Clamp							1	A,B
-12	100933	Screw - Hex hd 1/4-28 x 3 in.							2	A,B
-13	100608	Screw - Hex hd 1/4-28 x 1-1/2 in. lg							4	A,B
-14	18313A	Connector - Frame							1	A,B
-15	18563A	Spike							1	A,B
-16	100613	Screw - Hex hd 5/16-24 x 1 in. lg							3	A,B
-17	100682	Nut - Hex 5/16 - 24							3	A,B
-18	18783A	Support Assembly.....							1	A,B
-19	18761A	Clamp							1	A,B
-20	101885	Screw - Hex hd 1/4-28 x 7/8 in. lg							2	A,B
-21	100005	Washer							4	A,B
-22	100640	Nut - Lock 1/4-28							2	A,B

*Parts no longer available from the factory.

5-49, 7-55 AND
1225A ENGINES

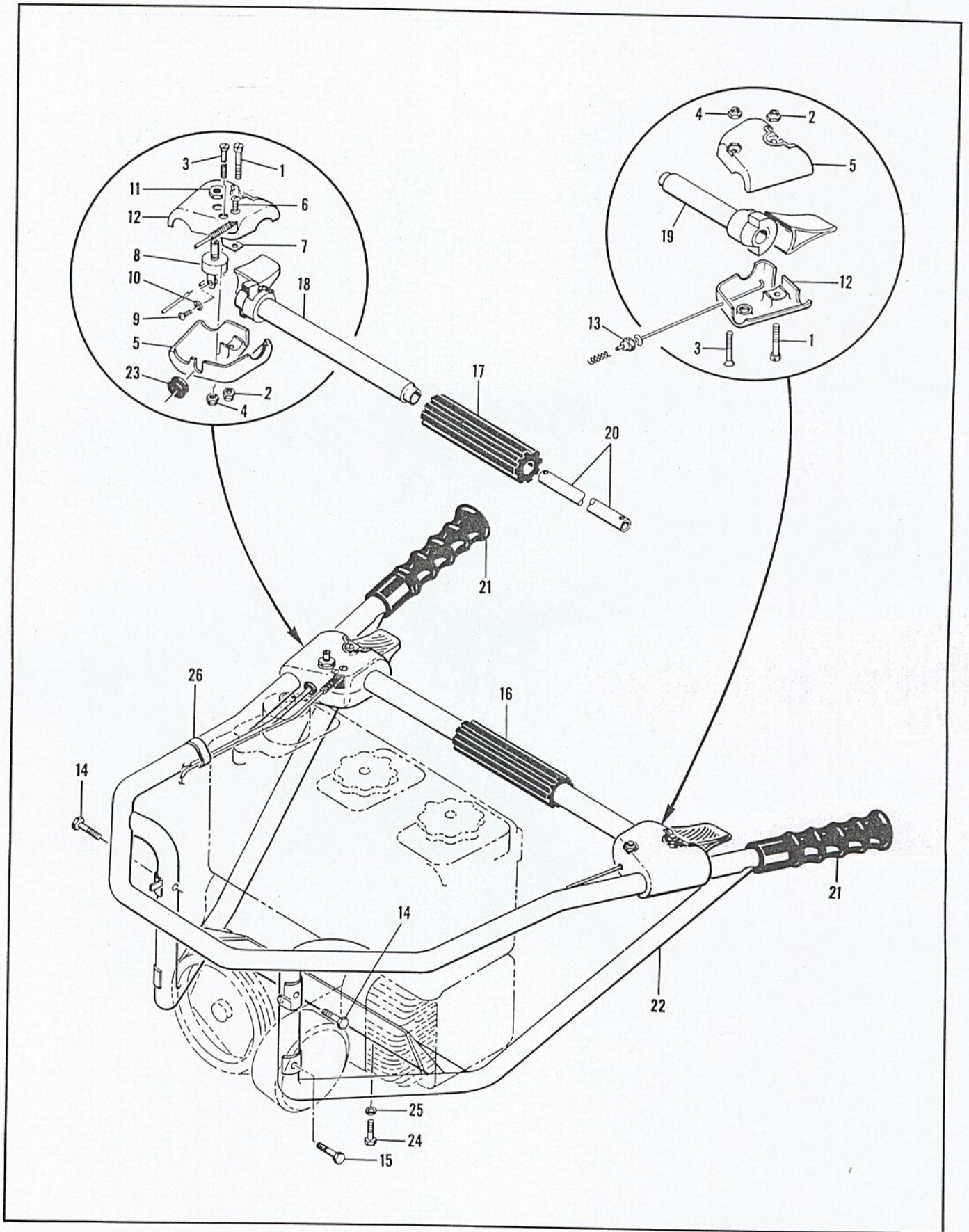


Figure 2. Model 7-55 Frame and Control Assembly

FIGURE 2. MODEL 7-55 FRAME AND CONTROL ASSEMBLY

FIG. & INDEX NO.	PART NO.	DESCRIPTION							UNITS PER ASSY	USABLE ON CODE
		1	2	3	4	5	6	7		
Code: "C ¹ " indicates parts used on early Model 7-55 engines.										
"C ² " indicates parts used on later Model 7-55 engines.										
"C" indicates parts used on Model 7-55 engines.										
2-1	102292	Screw - Fil hd 1/4-20 x 1-1/2 in. lg							2	C
-2	101143	Nut - Hex 1/4-20							2	C
-3	102132	Screw - Flat hd 10-24 x 1-3/4 in. lg							2	C
-4	101191	Nut - Hex 10-24							2	C
-5	24111	Cover - Control level							2	C
-6	101386	Screw - Oval hd 10-24 x 5/8 in. lg							1	C
-7	24547	Clamp - Bowden wire							1	C
-8	24541	Switch Assembly - Ignition							1	C
-9	103934	. Screw - Rd hd 6-32 x 1/4 in. lg							1	C
-10	100295	. Lockwasher - No. 6							1	C
-11	101102	. Nut - Hex 3/8-24							1	C
-12	24110	Cover - Control lever							2	C
-13	24046B	Push Rod - Oiler							1	C
-14	102125	Screw - Hex hd 1/4-20 x 1-3/4 in. lg							2	C
-15	102130	Screw - Hex hd 1/4-20 x 1-1/2 in. lg							2	C
	*24065	Frame and Control Assembly (Replaced by Frame and Control Assembly #24631, 2 Control Covers #24593 and 2 Control Covers #24594)							1	C ¹
	*24631	Frame and Control Assembly							1	C ²
-16	24157	. Lever - Grip Assembly							1	C
-17	18202A	. . Hand Grip							1	C
-18	24155	. . Lever Assembly - Throttle							1	C
-19	24154	. Lever - Oil pump							1	C
-20	24149	. Crossbar							1	C
-21	18207A	. Hand Grip							2	C
-22	*24144	. Frame Assembly (Replaced by Frame Assembly #24616, 2 Control Covers #24593 and 2 Control Covers #24594)							1	C
	24616	. Frame Assembly							1	C
-23	101283	Grommet - Control lever clamp							1	C
-24	102088	Screw - Flat hd cap 1/4-20 x 3/4 in. lg							2	C
-25	101266	Lockwasher							2	C
-26	18909A	Clip							1	C

*Parts no longer available from the factory.

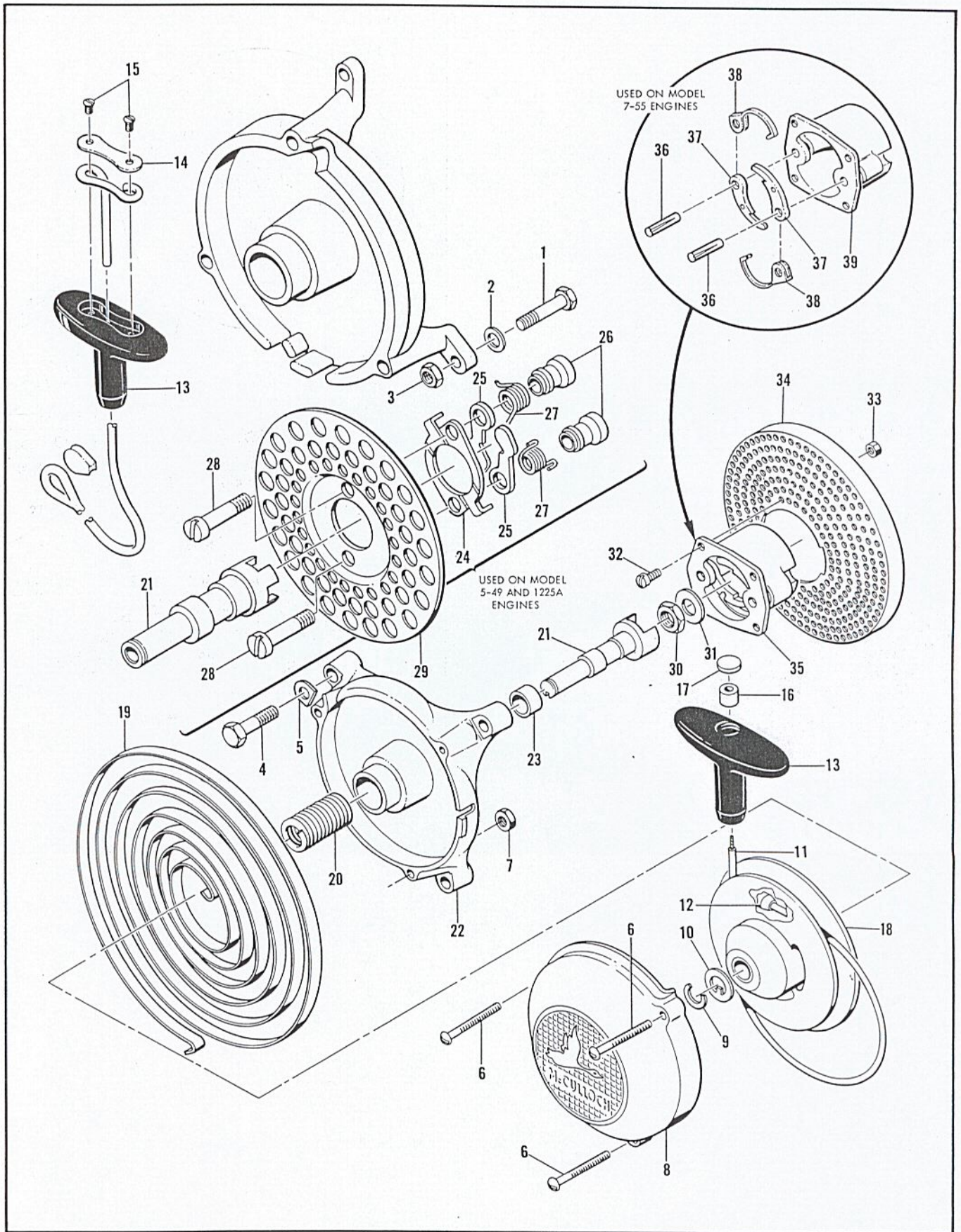


Figure 3. Starter Assembly

FIGURE 3. STARTER ASSEMBLY

FIG. & INDEX NO.	PART NO.	DESCRIPTION							UNITS PER ASSY	USABLE ON CODE
		1	2	3	4	5	6	7		
		Code: "A ¹ " indicates parts used on early Model 5-49 engines.								
		"A ² " indicates parts used on later Model 5-49 engines.								
		"A" indicates parts used on Model 5-49 engines.								
		"B ¹ " indicates parts used on early Model 1225A engines.								
		"B ² " indicates parts used on later Model 1225A engines.								
		"B" indicates parts used on Model 1225A engines.								
		"C" indicates parts used on Model 7-55 engines.								
		"All" indicates parts used on all three listed engines.								
3-1	101885	Screw - Hex hd 1/4-28 x 7/8 in. lg							3	A ¹ , B ¹
-2	100311	Washer - Plain 1/4 in. SAE							3	A ¹ , B ¹
-3	100640	Nut - Lock 1/4-28							3	A ¹ , B ¹
-4	*100309	Screw - Hex hd 1/4-20 x 3/4 in. lg							3	A ² , B ²
	102128	Screw - Hex hd 1/4-20 x 1-1/4 in. lg							3	C
-5	*101476	Lockwasher							3	A ² , B ²
	24394	Lock Plate							3	C
		Starter Assembly (Not available - Order Starter Assembly #18259A)							1	A ¹ , B ¹
	18259A	Starter Assembly							1	A ² , B ² , C
-6	**102136	. Screw - Rd hd 10-32 x 1-1/2 in. lg							3	All
-7	100703	. Nut - Hex 10-32							3	All
-8	18136A	. Cover - Starter							1	All
-9	101795	. Retaining Ring							1	All
-10	24488	. Washer							1	All
	18874A	. Rope and Handle Assembly							1	All
-11	18145A	. . Rope							1	All
-12	18851A	. . Anchor							1	All
-13	18138A	. . Handle - Starter (Not available - Order Starter Rope Handle #18849B)							1	A ¹ , B ¹
	18849B	. . Handle - Starter rope							1	A ² , B ² , C
-14	18146A	. . Plate - Clamp							1	A ¹ , B ¹
-15	100984	. . Screw - Flat hd 8-32 x 1/2 in. lg							2	A ¹ , B ¹
-16	18851A	. . Anchor							1	A ² , B ² , C
-17	18840A	. . Plug - Starter handle							1	A ² , B ² , C
-18	18137A	. Starter Drum							1	A ¹ , B ¹
	18873A	. Starter Drum							1	A ² , B ² , C
-19	28842	. Spring - Rewind							1	A ¹ , B ¹
	18773A	. Rewind Spring							1	A ² , B ² , C
-20	18141A	. Spring							1	All
-21	18140A	. Shaft							1	All
-22	18213A	. Housing Assembly - Starter							1	All
-23	100907	. . Bearing - Bronze							1	All
-24	18149A	Plate - Anchor							1	A,B
-25	18150A	Pawl							2	A,B
-26	18152A	Bearing - Pawl							2	A,B
-27	18151A	Spring							2	A,B
-28	100948	Screw - Fil hd 5/16-18 x 1-1/2 in. lg							2	A,B
-29	18451	Guard - Sawdust							1	A,B
-30	101179	Nut - Hex 7/16-20							1	C
-31	101270	Washer							1	C
-32	101988	Screw - Fil hd 10-24 x 3/8 in. lg							4	C
-33	101191	Nut - Hex 10-24							4	C
-34	24007	Guard - Sawdust							1	C
-35	24014	Pawl Assembly - Starter							1	C
-36	101360	. Pin - Starter pawl							2	C
-37	24093	. Pawl - Starter							2	C
-38	24119	. Spring - Pawl							2	C
-39	24112	. Hub - Sawdust guard							1	C

*These parts used only when Replacement Fan Housing #18002B is installed on 5-49 and 1225 engines.

**Earlier Parts Lists carried these screws as 2 inches long #100910 for 5-49 and 1225 engines.

5-49, 7-55 AND
1225A ENGINES

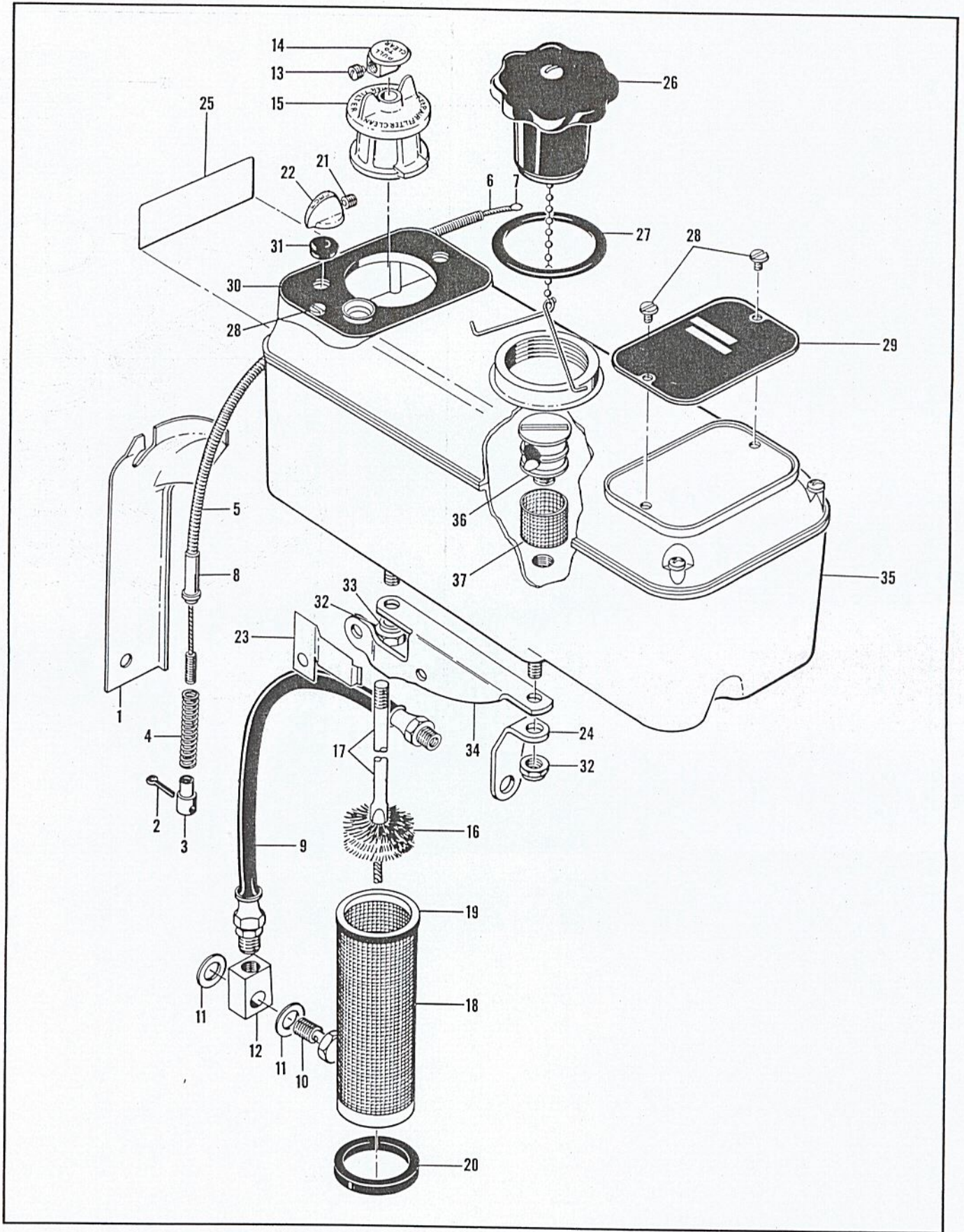


Figure 4. Model 5-49 and 1225A Fuel System

FIGURE 4. MODEL 5-49 AND 1225A FUEL SYSTEM

FIG. & INDEX NO.	PART NO.	DESCRIPTION	UNITS PER ASSY	USABLE ON CODE
1	2	3 4 5 6 7		
Code: "A" indicates parts used on Model 5-49 engines. "B" indicates parts used on Model 1225A engines.				
4-1	*18208A	Cover - Carburetor throttle	1	A,B
	18362A	Wire Assembly (Not available - Order Throttle Wire Assembly #24036)	1	A,B
-2	100010	. Cotter pin - 0.06 dia x 1/2 in. lg	1	A,B
-3	18360A	. Clevis	1	A,B
-4	18379A	. Spring - Throttle	1	A,B
-5		. Casing (Not available - Order Throttle Wire Assembly #24036)	1	A,B
Replacement Throttle Wire Assembly #24036				
	24036	Wire Assembly - Throttle	1	A,B
-3	18360A	. Clevis	1	A,B
-4	18379A	. Spring - Throttle	1	A,B
-5	24090	. Casing	1	A,B
-6	24209	. Cable Assembly	1	A,B
-7	24177	. Tube - Anchor	1	A,B
-8	18388A	. Sleeve - Throttle	1	A,B
-9	100930	Fuel Line	1	A,B
-10	18521A	Bolt - Fuel line	1	A,B
-11	101150	Washer	2	A,B
-12	18531A	Fitting - Banjo	1	A,B
	18453A	Cap and Brush Assembly	1	A,B
-13	100590	. Screw	1	A,B
-14	18166A	. Knob	1	A,B
-15	**18164A	. Cap	1	A,B
-16	18165A	. Brush	1	A,B
-17	18376A	. Tube	1	A,B
-18	**18488A	Air Cleaner Assembly (Not available - Order Air Filter Cleaner #18937C)	1	A,B
-19	18473A	. Washer - Upper	1	A,B
-20	18487A	. Washer - Lower	1	A,B
Replacement Air Filter Cleaner #18937C				
-18	18937C	Air Filter Cleaner	1	A,B
-21	100590	Screw	1	A,B
-22	18180A	Knob	1	A,B
-23	18393A	Shield - Dust	1	A,B
-24	18194A	Bracket - Fuel tank	1	A,B
-25	18787A	Decalomania	1	A,B
	18256A	Tank and Cap Assembly	1	A,B
-26	24613A	. Fuel Cap Assembly	1	A,B
-27	101348	. "O" Ring	1	A,B
-28	100876	. Screw	3	A,B
-29	18105A	. Plate - Fuel instruction	1	A,B
-30	18204A	. Plate - Name	1	A,B
-31	101283	. Grommet	1	A,B
-32	100640	. Nut - Lock 1/4-28	2	A,B
-33	100005	. Washer	1	A,B
-34	18562A	. Bracket Assembly	1	A,B
-35	18201A	. Tank Assembly - Fuel	1	A,B
-36	18389A	. Fitting - Screen	1	A,B
-37	18390A	. Screen - Fuel tank	1	A,B

*Part no longer available from factory.

**Late 5-49 engines used Air Cleaner Seal #18899A, Air Cleaner Spring #18901A and Air Cleaner Cup #18902A, with these two parts.

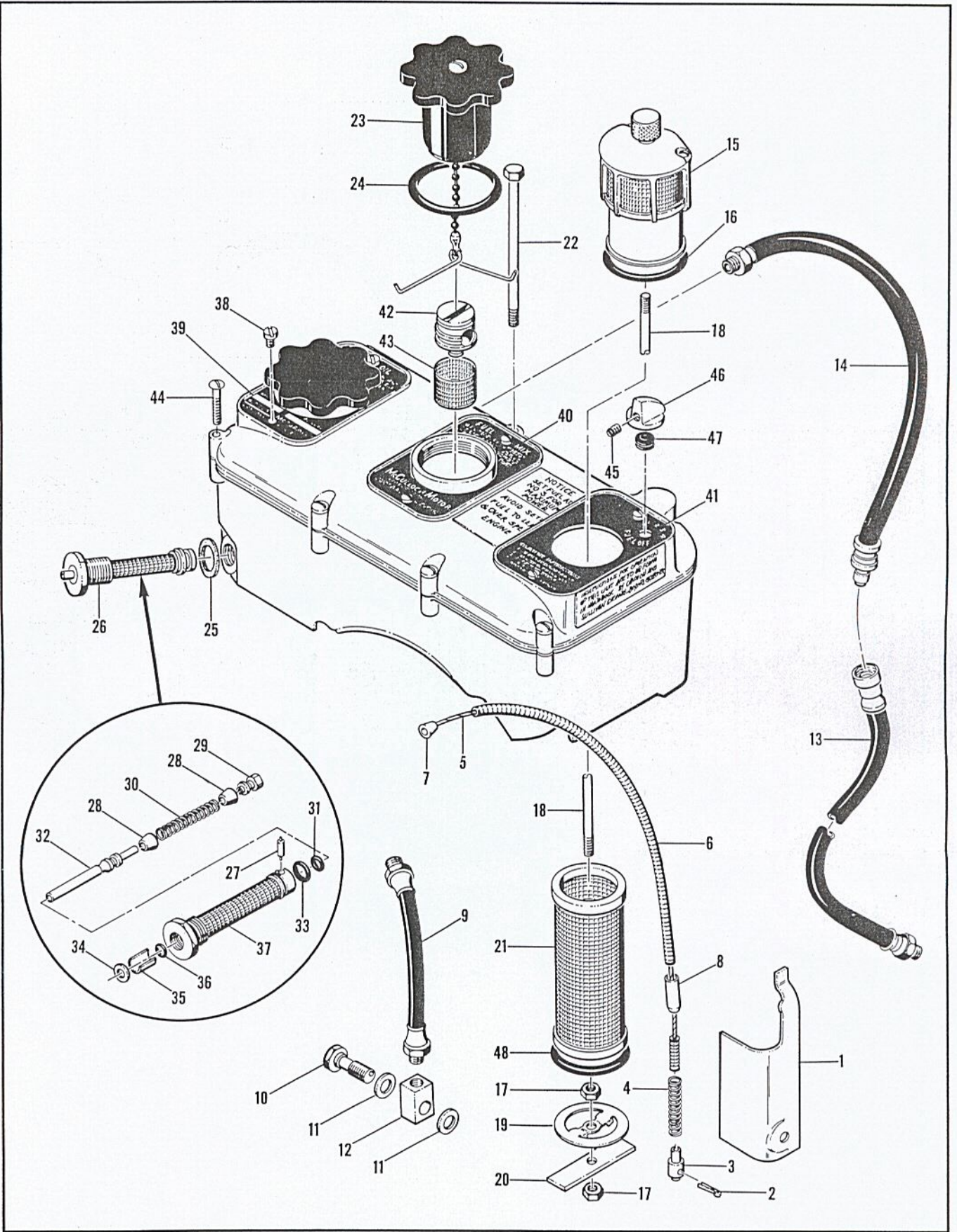


Figure 5. Model 7-55 Fuel System

FIGURE 5. MODEL 7-55 FUEL SYSTEM

FIG. & INDEX NO.	PART NO.	DESCRIPTION							UNITS PER ASSY	USABLE ON CODE
		1	2	3	4	5	6	7		
Code: "C" indicates parts used on Model 7-55 engines.										
5-1	24050	Cover - Throttle							1	C
-2	101901	Cotter Pin							1	C
	24036	Wire Assembly - Throttle							1	C
-3	18360A	. Clevis							1	C
-4	18379A	. Spring - Throttle							1	C
-5	24209	. Cable Assembly							1	C
-6	24090	. Casing							1	C
-7	24177	. Tube - Anchor							1	C
-8	18388A	. Sleeve - Throttle							1	C
-9	101271	Fuel Line							1	C
-10	18521A	Bolt - Fuel line							1	C
-11	101150	Washer							2	C
-12	18531A	Fitting - Banjo							1	C
	102376	Oil Line Assembly							1	C
-13	102378	. Oil Line - Long							1	C
-14	102377	. Oil Line - Short							1	C
-15	24444	Pre Cleaner Assembly							1	C
-16	24437	. Seal - Air Cleaner							1	C
-17	101191	Nut - Hex 10-24							2	C
-18	*24438	Bolt - Air filter							1	C
-19	24439	Retainer - Bolt							1	C
-20	24440	Anchor							1	C
-21	18937C	Cleaner - Air filter							1	C
-22	102131	Screw - Hex hd 1/4-20 x 4-1/2 in. lg							1	C
	24051	Tank and Oil Pump Assembly							1	C
-23	24613A	. Fuel Cap Assembly							2	C
-24	101348	. "O" Ring							1	C
-25	24120	. Gasket - Oil pump							1	C
-26	24055A	. Oil Pump Assembly							1	C
-27	24106	. Pin - Pump							1	C
-28	24104	. Packing Cup							2	C
-29	24105	. Plug - Pump							1	C
-30	18349A	. Spring							1	C
-31	101258	. "O" Ring							1	C
-32	24103	. Plunger - Pump							1	C
-33	101218	. "O" Ring							1	C
-34	24109	. Washer - Pump							1	C
-35	24108	. Seal - Pump							1	C
-36	101056	. "O" Ring							1	C
-37	24193	. Body Assembly - Pump							1	C
-38	102016	. Screw - Bind hd 8-32 x 1/4 in. lg							6	C
-39	24136A	. Plate - Oil instruction							1	C
-40	24135	. Plate - Fuel instruction							1	C
-41	24137	. Plate - Instrument							1	C
	24052	. Tank Assembly - Fuel							1	C
-42	18389A	. Fitting - Screen							1	C
-43	18390A	. Screen - Fuel tank							1	C
-44	101951	. Screw - Pan hd 10-24 x 1 in. lg							8	C
-45	102276	Screw - Socket hd 1/4-20 x 1/4 in. lg							1	C
-46	18180A	Knob							1	C
-47	101283	Grommet							1	C
-48	24437	Seal - Air cleaner							1	C

*Some early Model 7-55 engines used Pre Cleaner Rod #24589.

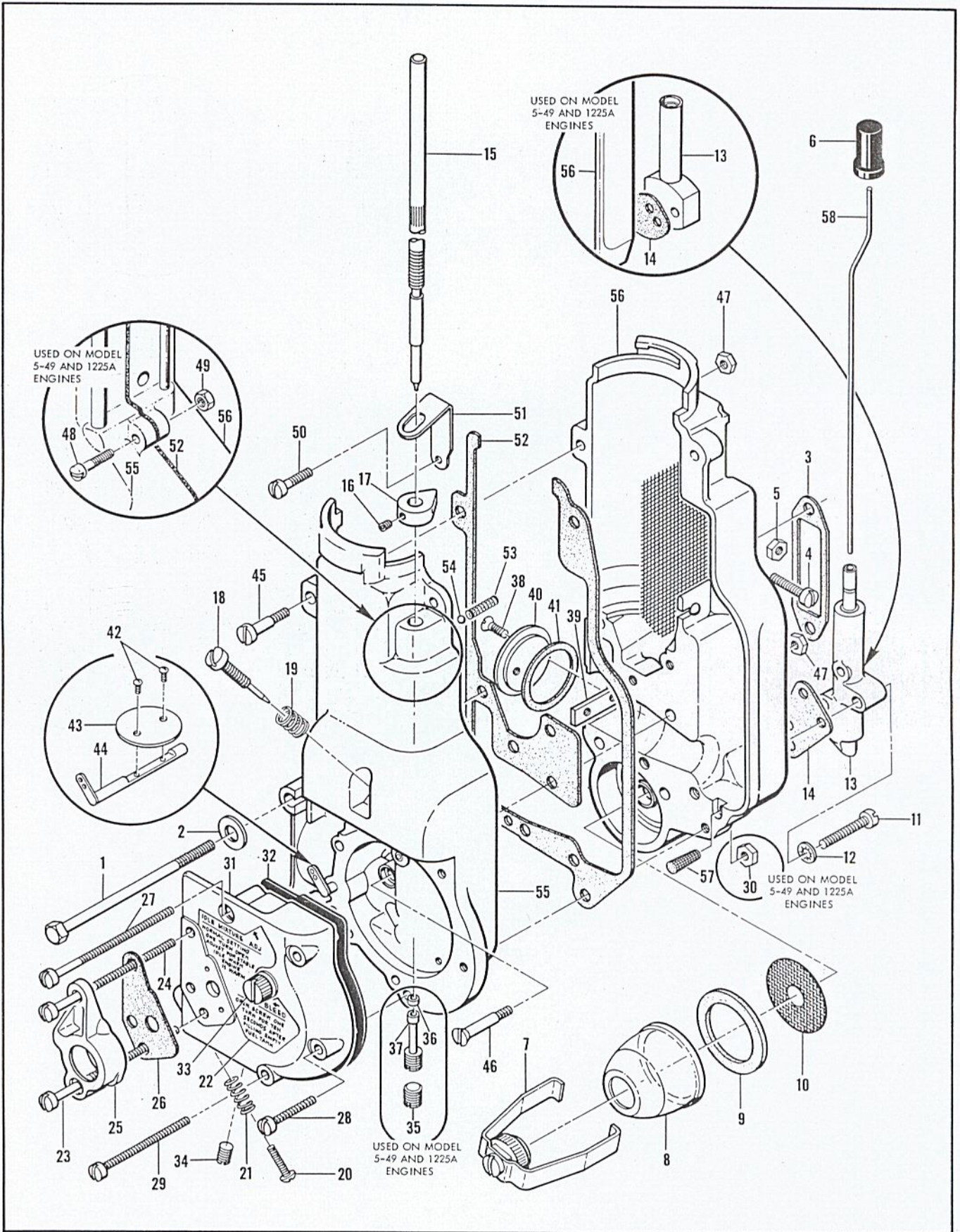


Figure 6. Carburetor Assembly

FIGURE 6. CARBURETOR ASSEMBLY

FIG. & INDEX NO.	PART NO.	DESCRIPTION							UNITS PER ASSY	USABLE ON CODE
		1	2	3	4	5	6	7		
		Code: "A" indicates parts used on Model 5-49 engines.								
		"B" indicates parts used on Model 1225A engines.								
		"C" indicates parts used on Model 7-55 engines.								
		"All" indicates parts used on all three listed engines.								
6-1	100919	Screw - Hex hd 1/4-28 x 3-1/2 in. lg							2	A,B
	102129	Screw - Hex hd 1/4-20 x 3-1/2 in. lg							2	C
-2	100311	Washer - Plain 1/4 in. SAE							2	A,B
	100005	Washer							2	C
-3	18036B	Gasket - Carburetor							1	All
-4	100774	Screw - Fil hd 1/4-28 x 3/4 in. lg							1	A,B
-5	100640	Nut - Lock 1/4-28							1	A,B
-6	18353A	Button - Primer							1	All
	18214A	Carburetor Assembly (Not available - Order Carburetor Assembly #18214E)							1	A,B
	18214E	Carburetor Assembly							1	C
-7	17157A	. Bail Assembly							1	All
-8	17167A	. Bowl							1	All
-9	17168A	. Gasket							1	All
-10	17169A	. Screen							1	All
-11	100915	. Screw - Fil hd 10-32 x 1-1/8 in. lg							2	A,B
	102126	. Screw - Fil hd 10-24 x 1 in. lg							2	C
-12	100240	. Lockwasher							2	A,B
	101194	. Lockwasher - No. 10							2	C
-13	18352B	. Primer Assembly							1	A,B
	18352C	. Primer Assembly							1	C
-14	18378A	. Gasket - Primer							1	A,B
	18378B	. Gasket - Primer							1	C
-15	18179A	. Valve - Main needle							1	A,B
	18785B	. Needle Valve							1	C
-16	102281	. Screw - Socket set 8-32 x 3/4 in. lg							1	C
-17	24535	. Cam - Needle valve							1	C
-18	18174A	. Screw - Idle							1	All
-19	18175A	. Spring							1	All
-20	100935	. Screw - Rd hd 8-32 x 3/4 in. lg							1	All
-21	11361A	. Spring							1	All
-22	24717	. Decal - Idle							1	All
-23	100917	. Screw - Fil hd 10-32 x 2-1/2 in. lg							1	A,B
	101975	. Screw - Fil hd 10-24 x 2-1/2 in. lg							1	C
-24	100953	. Screw - Fil hd 10-32 x 2-1/4 in. lg							1	A,B
	101975	. Screw - Fil hd 10-24 x 2-1/2 in. lg							1	C
-25	18250A	. Ball Seat Assembly							1	All
-26	18236A	. Gasket - Ball seat							1	All
-27	100917	. Screw - Fil hd 10-32 x 2-1/2 in. lg							1	A,B
	102135	. Screw - Fil hd 10-24 x 2 in. lg							1	C
-28	100915	. Screw - Fil hd 10-32 x 1-1/8 in. lg							2	A,B
	102126	. Screw - Fil hd 10-24 x 1 in. lg							2	C
-29	100953	. Screw - Fil hd 10-32 x 2-1/4 in. lg							1	A,B
	102135	. Screw - Fil hd 10-24 x 2 in. lg							1	C
-30	101075	. Nut - Hex 10-32							3	A,B
-31	18397A	. Cover and Diaphragm Assembly							1	A,B
	18397C	. Cover and Diaphragm Assembly							1	C
-32	18199B	. Diaphragm							1	All
-33	18394A	. Screw - Air bleed							1	All
-34	101864	. Plug - Pipe							1	C
-35	18296A	. Plug							1	A,B
-36	18299A	. Gasket - Compensating jet							1	A,B
-37	18295A	. Jet - Compensating							1	A,B
	18162B	. Carburetor Body Assembly							1	A,B
	18162D	. Carburetor Body Assembly							1	C
-38	101478	. Screw - Flat hd 8-32 x 3/8 in. lg							2	C

5-49, 7-55 AND
1225A ENGINES

FIGURE 6. (CONT)

FIG. & INDEX NO.	PART NO.	DESCRIPTION							UNITS PER ASSY	USABLE ON CODE
		1	2	3	4	5	6	7		
6-39	18943A	.	.						1	C
-40	18942A	.	.						1	C
-41	18944A	.	.						1	C
-42	101470	.	.						2	C
-43	18336B	.	.						1	C
-44	18946A	.	.						1	C
-45	18372A	.	.						1	All
-46	18373A	.	.						1	A,B
	18373B	.	.						1	C
-47	101075	.	.						2	All
-48	100343	.	.						1	A,B
-49	101075	.	.						1	A,B
-50	100243	.	.						1	C
-51	24534	.	.						1	C
-52	18200A	.	.						1	A,B
	18200B	.	.						1	C
-53	24500	.	.						1	All
-54	100549	.	.						1	All
-55	18189B	.	.						1	A,B
		.	.						1	C
-56		.	.						1	A,B
		.	.						1	C
-57	18375A	.	.						1	All
-58	18381A	.	.						1	A,B
	18381B	.	.						1	C

FIGURE 7. MODEL 5-49 AND 1225A FAN HOUSING, CRANKCASE,
CYLINDER AND MUFFLER

FIG. & INDEX NO.	PART NO.	DESCRIPTION							UNITS PER ASSY	USABLE ON CODE
		1	2	3	4	5	6	7		
7-1	101430								3	A,B
-2	100750								4	A,B
-3	100640								7	A,B
-4	18002B								1	A,B
-5	18395A								1	A,B
-6	18766A								1	A,B
-7	101304								1	A,B
-8	100247								1	A,B
-9	100752								6	A,B
-10	100311								5	A,B
-11	18760A								1	A,B
-12	100640								5	A,B
-13	18254A								1	A,B
-14	101303								1	A,B
-15	18034A								1	A,B
-16	100752								2	A,B
-17	100640								2	A,B
-18	18127A								1	A,B
-19	11037								1	A,B
-20	100786								2	A,B

Code: "A" indicates parts used on Model 5-49 engines.
"B" indicates parts used on Model 1225A engines.

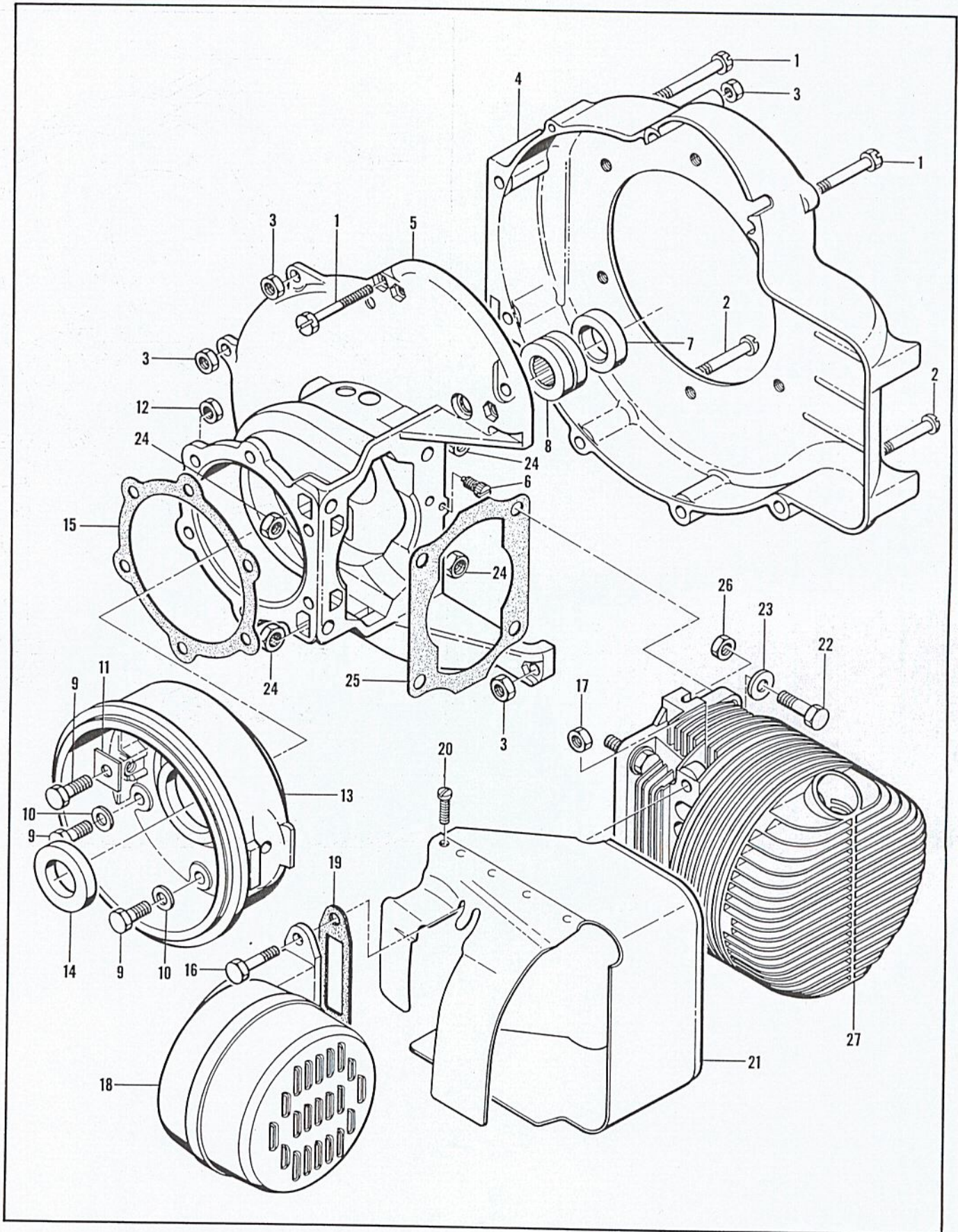


Figure 7. Model 5-49 and 1225A Fan Housing, Crankcase, Cylinder and Muffler

FIGURE 7. (CONT)

FIG. & INDEX NO.	PART NO.	DESCRIPTION							UNITS PER ASSY	USABLE ON CODE
		1	2	3	4	5	6	7		
7-21	18009A	Shroud - Cylinder							1	A,B
-22	100613	Screw - Hex hd 5/16 - 24 x 1 in. lg							4	A,B
-23	101170	Washer							4	A,B
-24	100682	Nut - Hex 5/16-24							4	A,B
-25	24026	Gasket - Cylinder							1	A,B
-26	100703	Nut - Hex 10-32							2	A,B
-27	18405A	Cylinder Assembly							1	A,B

FIGURE 8. MODEL 7-55 FAN HOUSING, MUFFLER, CYLINDER AND CRANKCASE

FIG. & INDEX NO.	PART NO..	DESCRIPTION							UNITS PER ASSY	USABLE ON CODE
		1	2	3	4	5	6	7		
Code: "C" indicates parts used on Model 7-55 engines.										
8-1	102125	Screw - Hex hd 1/4-20 x 1-3/4 in. lg							2	C
-2	100153	Lockwasher - 1/4 in.							1	C
-3	102127	Screw - Hex hd 1/4-20 x 3-1/4 in. lg							2	C
-4	101143	Nut - Hex 1/4-20							2	C
-5	24028	Housing - Fan							1	C
-6	100882	Bolt - Fin hex 1/4-20 x 3/4 in. lg							2	C
-7	24545	Lockplate							1	C
-8	24867	Muffler Assembly							1	C
-9	11037	Gasket - Exhaust							1	C
-10	19696A	Cover Assembly - Spark plug							1	C
-11	101991	Screw - Fil hd 10-24 x 1/2 in. lg							3	C
-12	101194	Lockwasher - No. 10							1	C
-13	101191	Nut - Hex 10-24							2	C
-14	24333	Shroud Assembly - Cylinder and spark plug							1	C
-15	24128	Jacket - Cylinder							1	C
-16	102075	Screw - Hex hd 5/16-18 x 1 in. lg							4	C
-17	100443	Lockwasher							4	C
-18	100007	Washer							4	C
-19	101330	Nut - Hex 5/16-18							2	C
	24021A	Cylinder Assembly							1	C
-20	101563	. Screw - Socket hd 10-24 x 1-1/4 in. lg							6	C
-21	24236	. Washer							6	C
-22	101191	. Nut - Hex 10-24							6	C
-23	24024	. Head - Cylinder							1	C
-24	24057	. Gasket - Cylinder head							1	C
-25	24023A	. Cylinder							1	C
-26	24026	Gasket - Cylinder							1	C
-27	101982	Screw - Hex hd 1/4-20 x 1 in. lg							6	C
-28	100004	Washer - Plain 1/4 in.							6	C
-29	101143	Nut - Hex 1/4-20							6	C
-30	24078	Cover - Crankcase assembly							1	C
-31	101303	. Oil Seal							1	C
-32	24291	Shim - 0.015 in. thick							AS REQ'D	C
	24291A	Shim - 0.030 in. thick							AS REQ'D	C
-33	24079	Gasket - Crankcase cover							1	C
-34	102130	Screw - Hex hd 1/4-20 x 1-1/2 in. lg							2	C
-35	18760A	Locknut							2	C
-36	*24076D	Crankcase Assembly (Not available - Order Crankcase Assembly #24639)							1	C
-37	102217	. Rivet							3	C
-38	24518	. Wear Plate							1	C
-39	101323	. Needle Bearing							1	C

*This assembly includes Breaker Box #24133 (Item 32, Figure 12) and Counterweight Cover Assembly #24086A (Item 6, Figure 10).

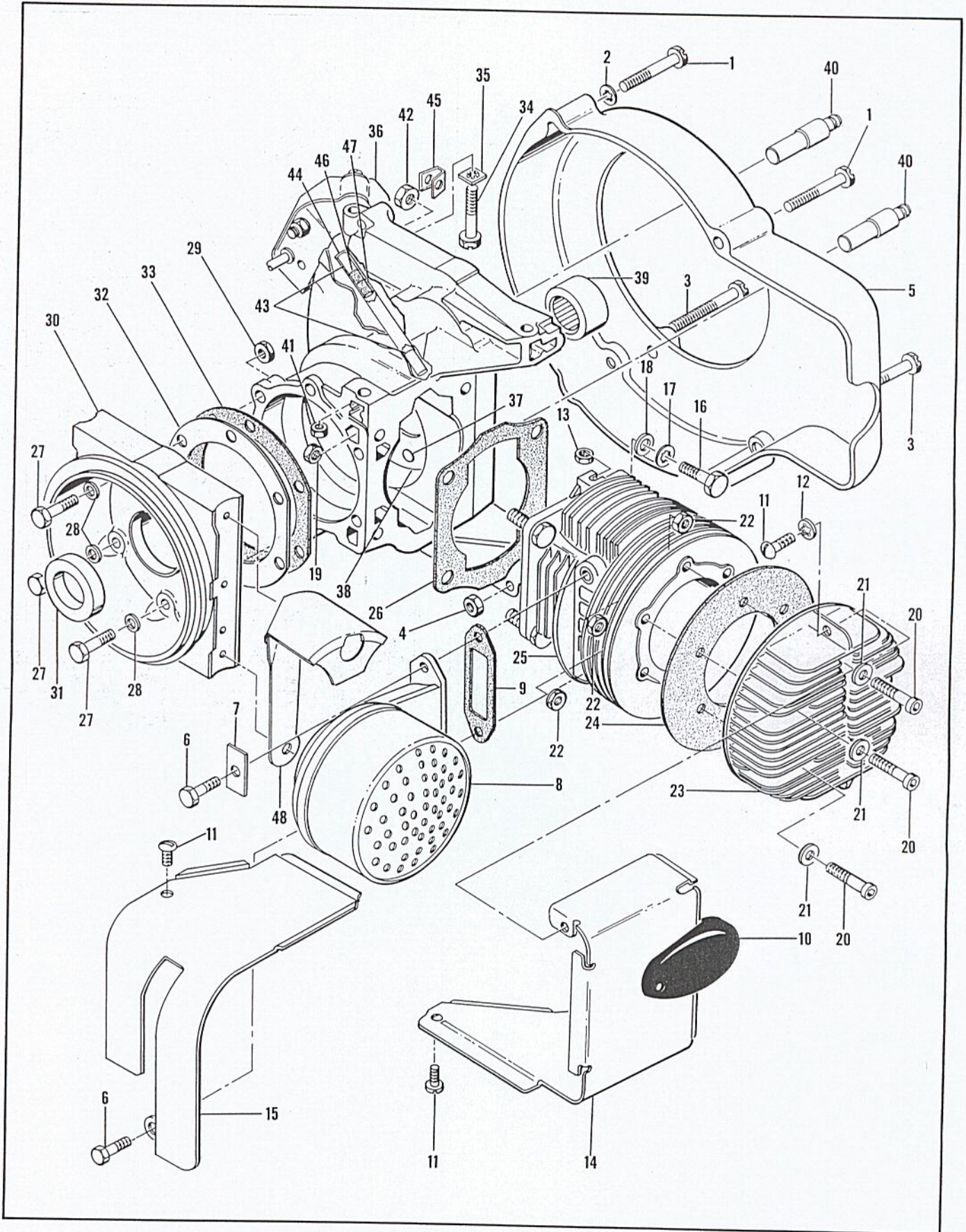


Figure 8. Model 7-55 Fan Housing, Muffler, Cylinder and Crankcase

FIGURE 8. (CONT)

FIG. & INDEX NO.	PART NO.	DESCRIPTION							UNITS PER ASSY	USABLE ON CODE
		1	2	3	4	5	6	7		
8-40	24259A	.								
-41	101143	.							2	C
-42	100955	.							1	C
-43	24317	.							1	C
-44	24512	.							2	C
		.							1	C
Replacement Crankcase Assembly #24639										
-36	*24639	.							1	C
-39	101323	.							1	C
-40	24259A	.							2	C
-41	101143	.							1	C
-42	100955	.							1	C
-43	24317	.							2	C
-44	24512	.							1	C
-45	24169	.							1	C
-46	**24513	.							1	C
-47	**24864	.							1	C
-38	24637	.							1	C
-48	24511A	.							1	C

*This assembly includes Breaker Box #24133 (Item 32, Figure 12) and Counterweight Cover Assembly #24086A (Item 6, Figure 10).

**These two items can be replaced with three Felt Washers #28092.

FIGURE 9. MODEL 5-49 AND 1225A CRANKSHAFT, FLYWHEEL,
CONNECTING ROD AND PISTON

FIG. & INDEX NO.	PART NO.	DESCRIPTION							UNITS PER ASSY	USABLE ON CODE
		1	2	3	4	5	6	7		
9-1	100836	.							2	A,B
-2	100257	.							1	A,B
-3	18005A	.							1	A,B
-4	100256	.							1	A,B
-5	101214	.							1	A,B
-6	18013A	.							1	A,B
-7	11032	.							1	A,B
-8	100210	.							1	A,B
-9	100981	.							1	A,B
-10	100381	.							1	A,B
-11	100386	.							1	A,B
-12	38037	.							1	A,B
	38038	.							Alternate	A,B
	38039	.							Alternate	A,B
	38040	.							Alternate	A,B
-13	38043	.							1	A,B
	38044	.							Alternate	A,B
	38045	.							Alternate	A,B
	38046	.							Alternate	A,B
-14	24336	.							2	A,B
-15	18012A	.							1	A,B
	18306A	.							1	A,B

Code: "A" indicates parts used on Model 5-49 engines.
"B" indicates parts used on Model 1225A engines.

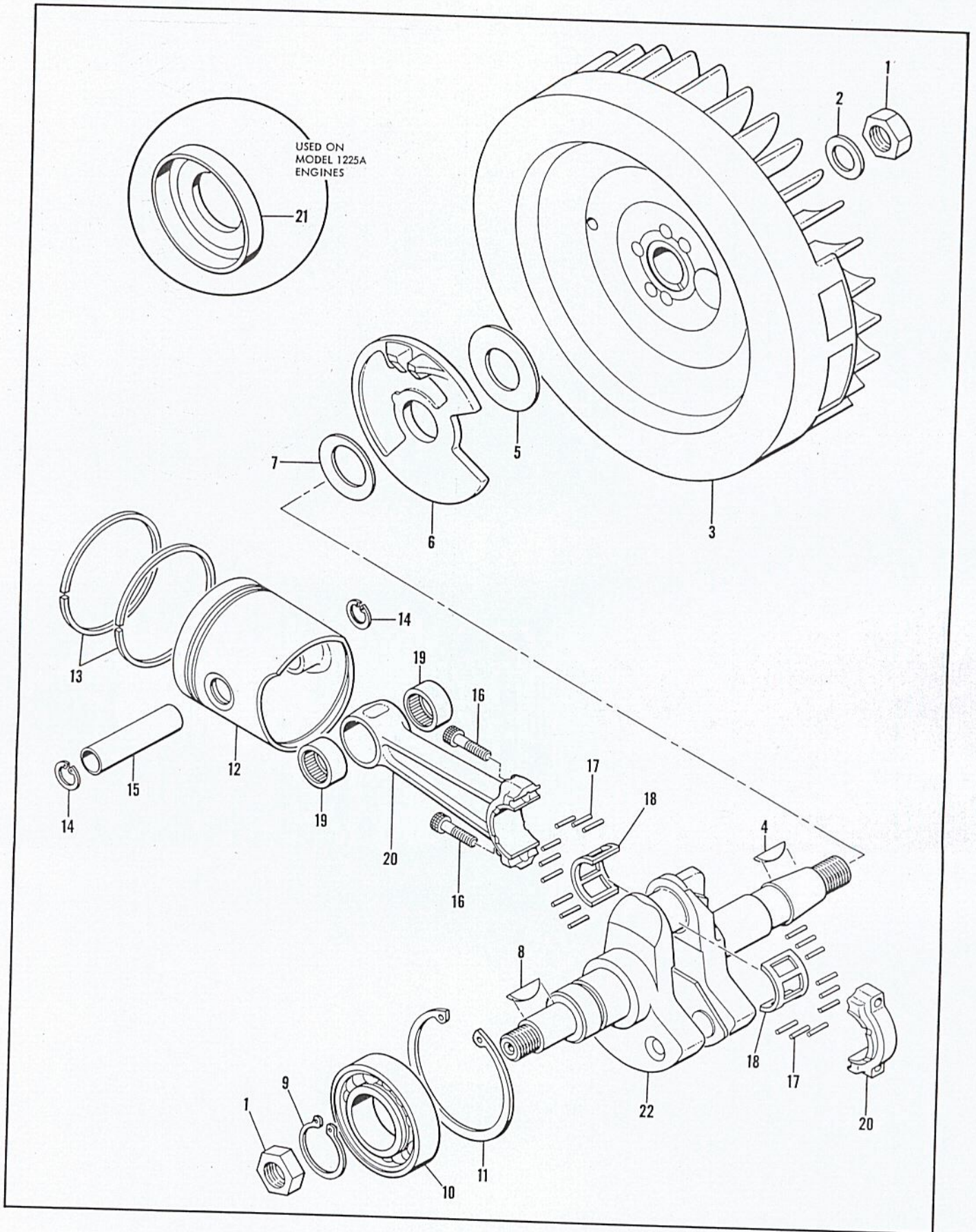


Figure 9. Model 5-49 and 1225A Crankshaft, Flywheel, Connecting Rod and Piston

5-49, 7-55 AND
1225A ENGINES

FIGURE 9. (CONT)

FIG. & INDEX NO.	PART NO.	DESCRIPTION							UNITS PER ASSY	USABLE ON CODE
		1	2	3	4	5	6	7		
9-16	100131	.							2	A,B
-17	101035	.							18	A,B
-18	38016	.							2	A,B
-19	100300	.							2	A,B
-20	18004B	.							1	A,B
-21	18530A	.							1	B
-22	18396A	.							1	A,B

FIGURE 10. MODEL 7-55 FLYWHEEL, PISTON, CONNECTING ROD AND CRANKSHAFT

FIG. & INDEX NO.	PART NO.	DESCRIPTION							UNITS PER ASSY	USABLE ON CODE
		1	2	3	4	5	6	7		
Code: "C ¹ " indicates parts used on early Model 7-55 engines.										
"C ² " indicates parts used on later Model 7-55 engines.										
"C" indicates parts used on Model 7-55 engines.										
10-1	24003A	.							1	C
-2	100199	.							1	C
-3	102101	.							6	C
-4	24542	.							1	C
-5	24543	.							1	C
-6	*24086A	.							1	C
-7	100564	.							1	C
-8	24048	.							1	C
-9	102095	.							2	C
-10	24261	.							2	C
-11	101206	.							1	C
-12	101598	.							1	C
-13	101440	.							1	C
-14	24011A	.							1	C
-15	100106	.							1	C
-16	24058	.							1	C
-17	24010	.							1	C ¹
	24522	.							1	C ²
-18	24132	.							1	C ¹
	24498	.							1	C ²
-19	24775A	.							1	C
	24776	.							Alternate	C
	24777A	.							Alternate	C
	24778	.							Alternate	C
-20	28809	.							1	C
	28810	.							Alternate	C
	28811	.							Alternate	C
	28812	.							Alternate	C
-21	24336	.							2	C
-22	24018	.							1	C
-23	24328	.							1	C
-24	24016A	.							1	C
-25	100131	.							2	C
-26	101035	.							21	C
-27	24517	.							1	C

*This part is furnished with the Crankcase Assembly for this engine.

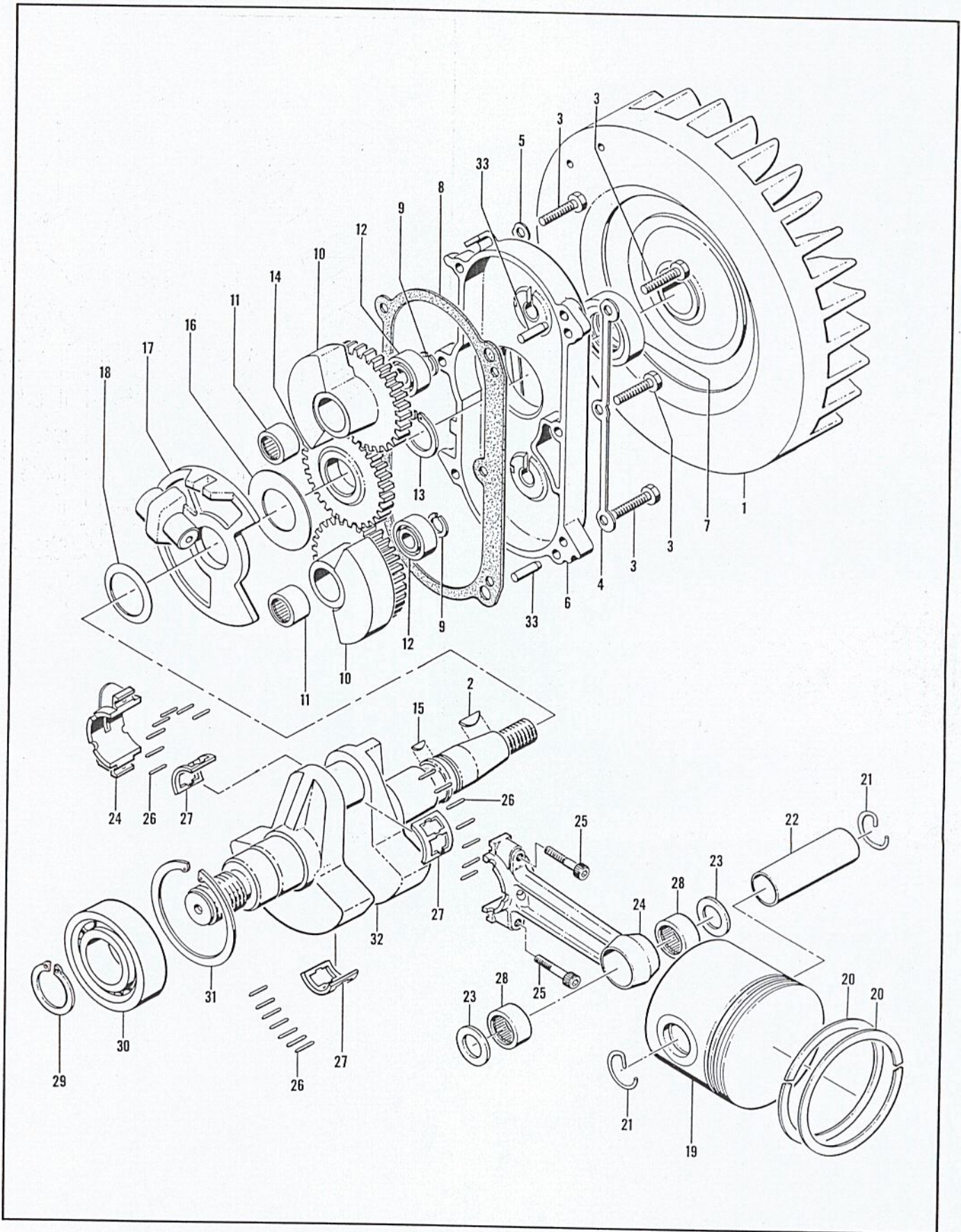


Figure 10. Model 7-55 Flywheel, Piston, Connecting Rod and Crankshaft

5-49, 7-55 AND 1225A ENGINES

FIGURE 10. (CONT)

FIG. & INDEX NO.	PART NO.	DESCRIPTION							UNITS PER ASSY	USABLE ON CODE
		1	2	3	4	5	6	7		
10-28	100300	.	Needle Bearing						2	C
Replacement Connecting Rod Assembly #24016B										
-24	24016B	.	Rod Assembly - Connecting						1	C
-25	100131	.	Screw - Socket hd 10-32 x 7/8 in. lg						2	C
-26	100226	.	Needle Roller						32	C
-28	102767	.	Bearing - Needle						1	C
-29	100981	.	Snap Ring						1	C
-30	100381	.	Bearing - Ball						2	C
-31	100386	.	Snap Ring						1	C
-32	24025A	.	Crankshaft						1	C
-33	101770	.	Pin - Dowel						2	C

FIGURE 11. MODEL 5-49 AND 1225A IGNITION SYSTEM

FIG. & INDEX NO.	PART NO.	DESCRIPTION							UNITS PER ASSY	USABLE ON CODE
		1	2	3	4	5	6	7		
Code: "A" indicates parts used on Model 5-49 engines. "B" indicates parts used on Model 1225A engines.										
11-1	101102	.	Nut - Hex 3/8-24						1	A,B
-2	101101	.	Screw - Rd hd 8-32 x 1/4 in. lg						1	A,B
-3	24541	.	Switch Assembly - Ignition						1	A,B
-4	100768	.	Wire - Switch						1	A,B
-5		.	Spark Plug and Gasket - 14 mm						1	A,B
	36307	.	Cover Assembly - Spark plug						1	A,B
-6	102556	.	Connector - Spark plug						1	A,B
-7	102555	.	Cover - Spark plug						1	A,B
-8	100608	.	Screw - Hex hd 1/4-28 x 1-1/2 in. lg						2	A,B
-9	100640	.	Nut - Lock 1/4-28						2	A,B
		.	Coil and Lamination Assembly (Not available - Order Coil Assembly #18985C and Lamination Assembly #18983A)						1	A,B
Replacement Coil Assembly #18985C										
-10	18985C	.	Coil Assembly						1	A,B
-11	101883	.	Wire Assembly - Ground						1	A,B
-12	52064	.	Wire Assembly - Terminal						1	A,B
-13	28936	.	Wire Assembly - Breaker to coil						1	A,B
-14	52066	.	Sleeve						1	A,B
-31	50120	.	Wire Assembly - Spark plug						1	A,B
Replacement Lamination Assembly #18983A										
-15	18983A	.	Lamination Assembly						1	A,B
-16	100690	.	Screw - Rd hd 8-32 x 1/2 in. lg						1	A,B
-17	100075	.	Condenser						1	A,B
-18	100252	.	Lockwasher						1	A,B
-19	100251	.	Nut - Hex 8-32						1	A,B
-20	100690	.	Screw - Rd hd 8-32 x 1/2 in. lg						1	A,B
-21	100252	.	Lockwasher						1	A,B
-22	100376	.	Washer - No. 8						1	A,B
-23	100805	.	Screw - Fil hd 6-32 x 1/2 in. lg						1	A,B

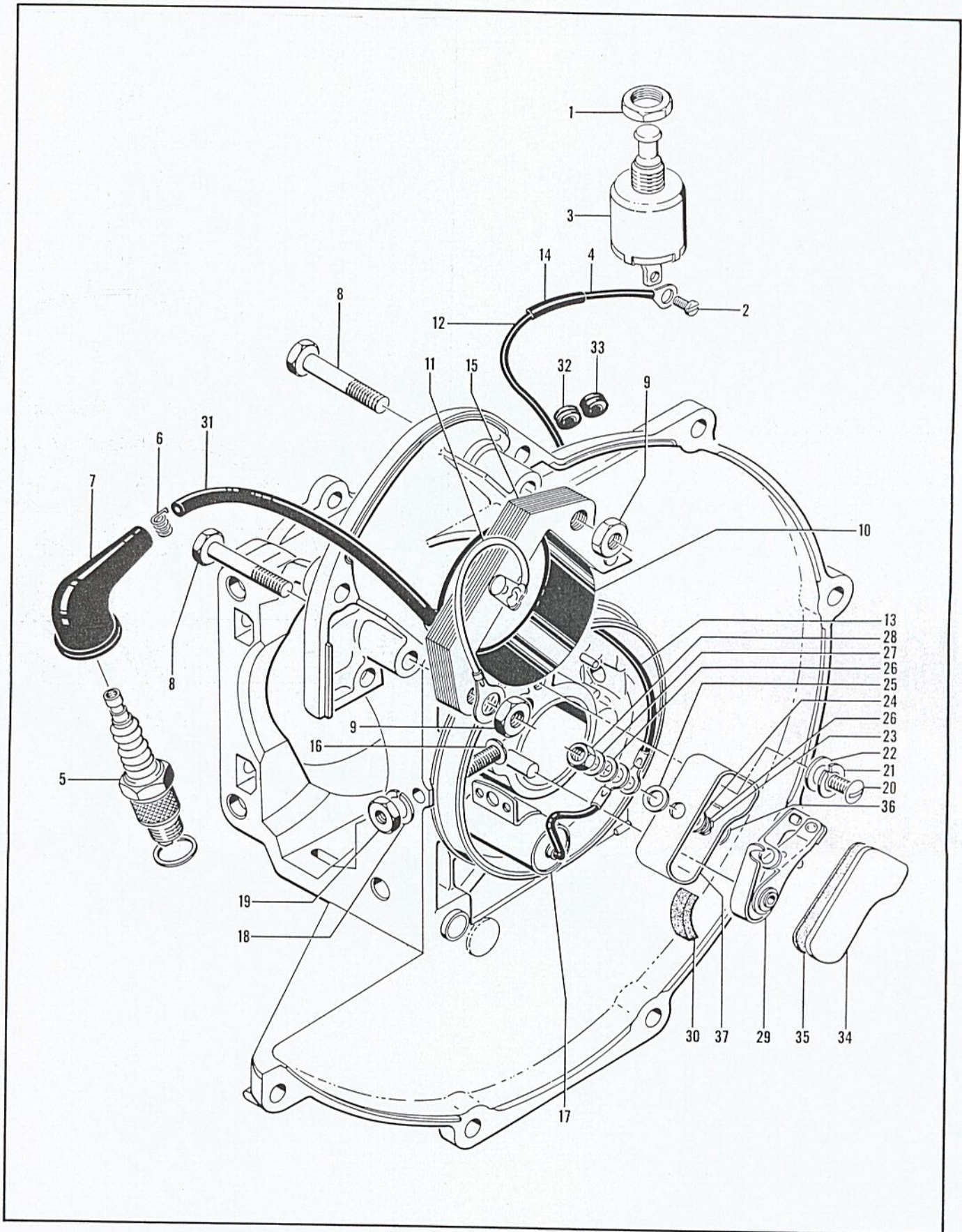


Figure 11. Model 5-49 and 1225A Ignition System

5-49, 7-55 AND 1225A ENGINES

FIGURE 11. (CONT)

FIG. & INDEX NO.	PART NO.	DESCRIPTION							UNITS PER ASSY	USABLE ON CODE
		1	2	3	4	5	6	7		
11-24	11278	Spacer							1	A,B
-25	11279	Spacer							1	A,B
-26	100296	Washer - No. 6							2	A,B
-27	100295	Lockwasher - No. 6							1	A,B
-28	100298	Nut - Hex 6-32							1	A,B
-29	18811A	Breaker Assembly							1	A,B
-30	54184	Wiper - Felt							1	A,B
-31	101169	Wire - Spark plug							1	A,B
-32	101229	Grommet							1	A,B
-33	101230	Grommet							1	A,B
	18768A	Breaker Box Assembly							1	A,B
-34	18809A	. Cover - Breaker box							1	A,B
-35	18807A	. Gasket - Breaker box							1	A,B
-36	18806A	. Grommet - Breaker box							1	A,B
-37	18804A	. Bottom - Breaker box							1	A,B

FIGURE 12. MODEL 7-55 IGNITION SYSTEM

FIG. & INDEX NO.	PART NO.	DESCRIPTION							UNITS PER ASSY	USABLE ON CODE
		1	2	3	4	5	6	7		
Code: "C" indicates parts used on Model 7-55 engines.										
12-1		Spark Plug and Gasket - 14 mm							1	C
-2	101975	Screw - Fil hd 10-24 x 2-1/2 in. lg							2	C
-3	101970	Screw - Fil hd 10-24 x 2 in. lg							1	C
-4	102189	Washer							3	C
-5	24276C	Coil Assembly - Ignition							1	C
-6	52547	. Wire Assembly - Spark plug							1	C
-7	101883	. Wire - Ground							1	C
-8	52064	. Wire Assembly - Terminal							1	C
-9	19034	Retainer - Lamination							2	C
-10	24088	Lamination Assembly - Coil							1	C
-11	24042	Bridge - Coil							1	C
-12	102126	Screw - Fil hd 10-24 x 1 in. lg							2	C
-13	101194	Lockwasher - No. 10							2	C
-14	24039	Cover - Breaker							1	C
-15	24041	Gasket							1	C
-16	103934	Screw - Rd hd 6-32 x 1/4 in. lg							1	C
	24043	Wire - Stop switch							1	C
-17	24182	. Wire Assembly - Short							1	C
-18	24183	. Wire Assembly - Long							1	C
-19	18974A	. Sleeve Assembly							1	C
-20	28322	Grommet - Rubber							1	C
-21	100283	Grommet							2	C
-22	100696	Screw - Fil hd 8-32 x 5/8 in. lg							1	C
-23	100459	Washer - Lock No. 8							1	C
-24	100080	Washer - Plain							1	C
-25	100075	Condenser - Ignition							1	C
-26	101991	Screw - Fil hd 10-24 x 1/2 in. lg							1	C
-27	101191	Nut - Hex 10-24							1	C
-28	100240	Lockwasher							1	C
-29	100002	Washer							3	C
-30	24397A	Breaker Assembly - Ignition							1	C
-31	24087	Push Rod - Breaker							1	C
-32	*24133	Box - Breaker point							1	C
-33	101355	Rivet							3	C
-34	24513	Washer - Felt							1	C

*This part comes with Replacement Crankcase Assembly #24639 (item 36, Figure 8).

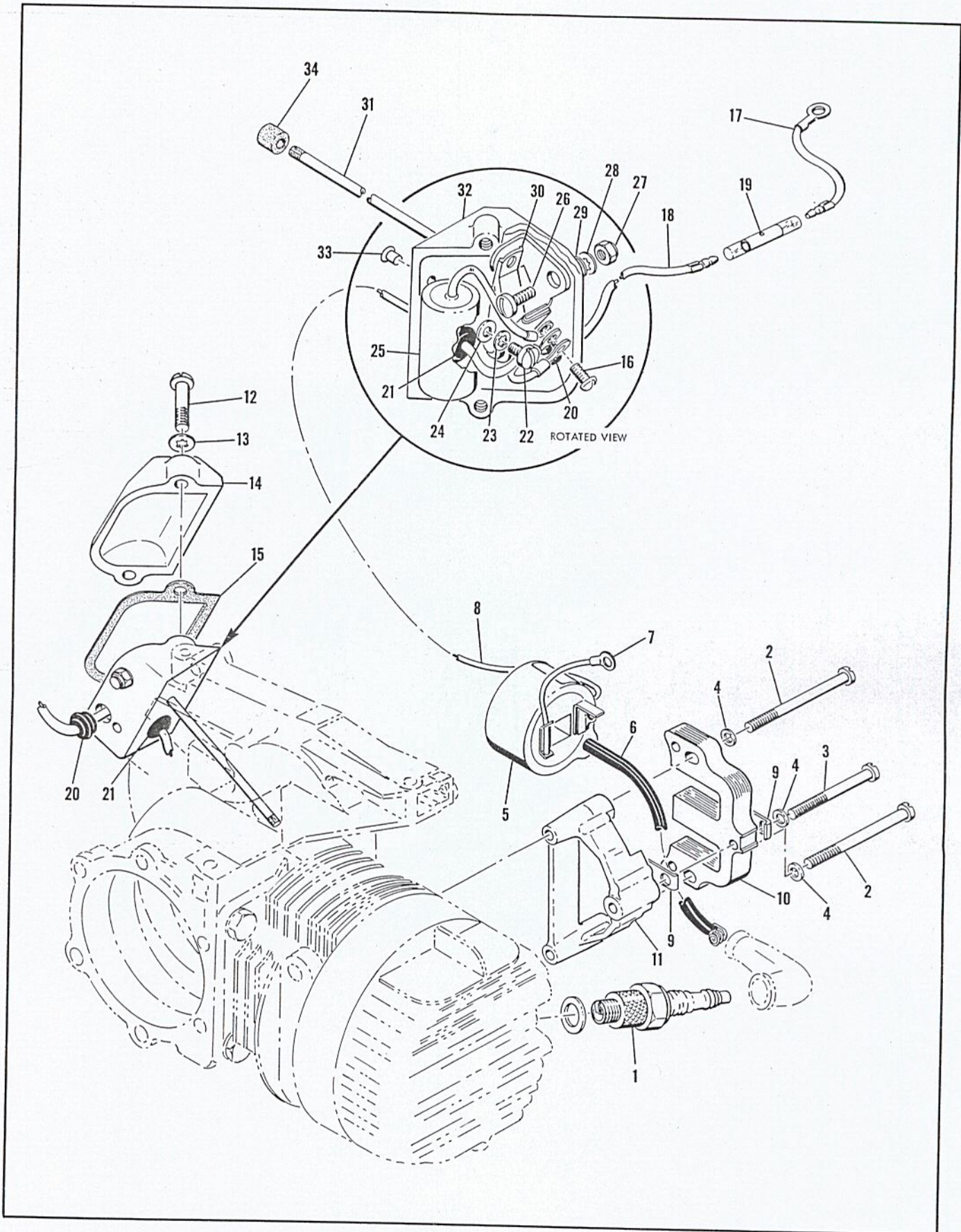


Figure 12. Model 7-55 Ignition System

5-49, 7-55 AND 1225A ENGINES

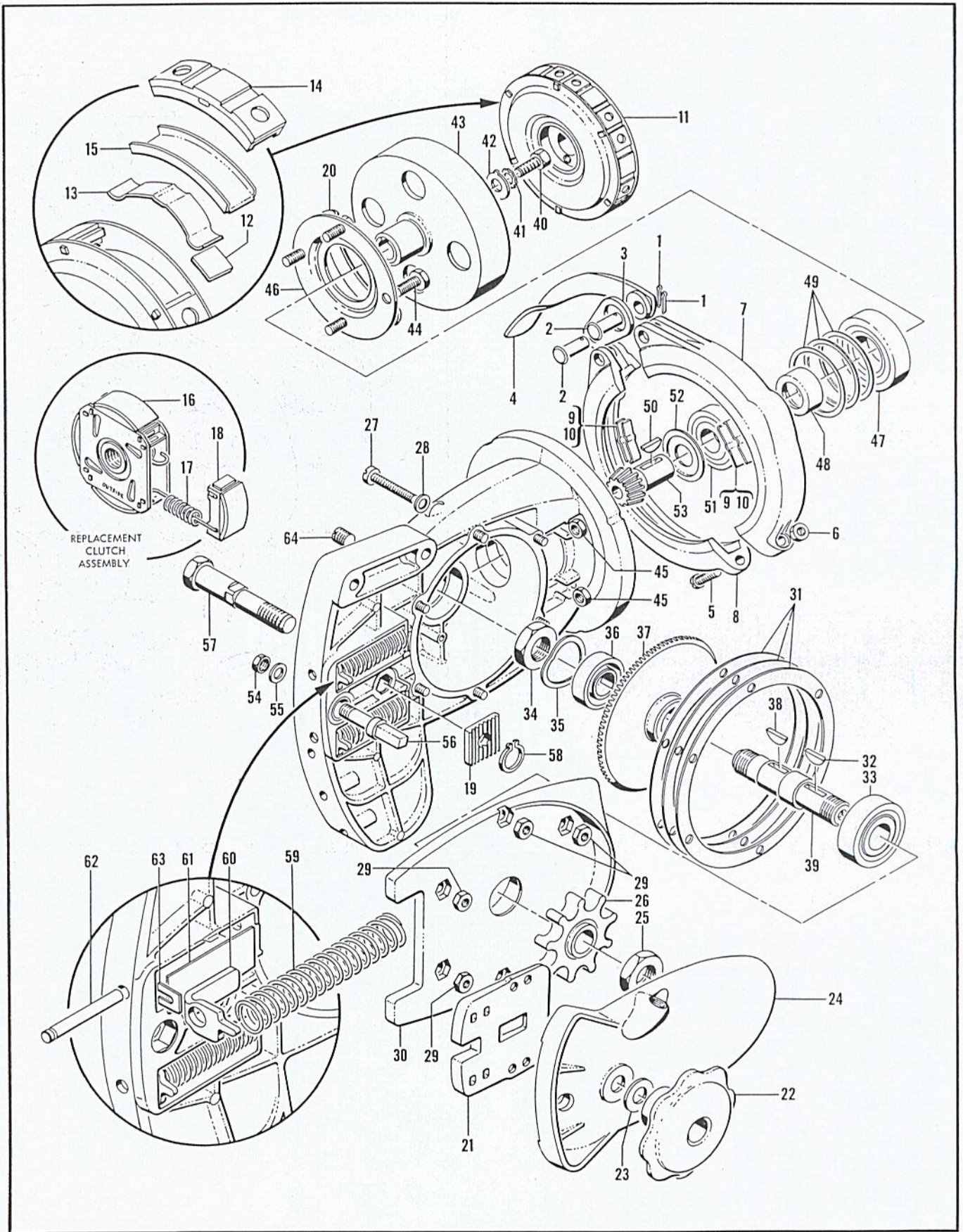


Figure 13. Model 5-49 and 1225A Gear Case

FIGURE 13. MODEL 5-49 AND 1225A GEARCASE

FIG. & INDEX NO.	PART NO.	DESCRIPTION							UNITS PER ASSY	USABLE ON CODE
		1	2	3	4	5	6	7		
Code: "A" indicates parts used on Model 5-49 engines. "B" indicates parts used on Model 1225A engines.										
13-1	100011	Cotter Pin							2	A,B
-2	100832	Clevis Pin							2	A,B
-3	18101A	Link							1	A,B
-4	18104A	Lever Assembly - Clamp							1	A,B
-5	101354	Screw - Fil hd 1/4-28 x 1-3/4 in. lg.....							1	A,B
-6	100640	Nut - Lock 1/4-28							1	A,B
-7	18113A	Ring - Clamp (upper)							1	A,B
-8	18118A	Ring - Clamp (lower)							1	A,B
-9	18121A	Spring							2	A,B
-10	18366A	Spring - Helper							2	A,B
-11	18345A	Clutch Assembly (Not available - Order Clutch Assembly #24897)							1	A,B
-12	18343A	. Plate - Shoe							6	A,B
-13	18342A	. Spring - Shoe							6	A,B
-14	18341A	. Shoe - Clutch							6	A,B
-15	18519A	. Plate - Clutch							6	A,B
Replacement Clutch Assembly #24897										
-16	24897	Clutch Assembly							1	A,B
-17	24143	. Spring - Clutch							4	A,B
-18	24881	. Shoe - Clutch							4	A,B
-19	18294B	Lock Plate							1	B
-20	18492A	Lock Plate							2	A,B
-21	18765A	Wedge							1	A
	18251B	Gear Case Assembly (Not available - Order Gear Case Assembly #24251A shown in Figure 14).....							1	A,B
-22	18094A	. Knob							1	A,B
-23	100257	. Washer							1	A,B
-24	*18082A	. Plate - Clamp (Not available - Order Clamp Plate Assembly #24381 shown in Figure 14)							1	B
	*18082B	. Plate - Clamp (Clamp Plate Assembly #24381 can also be used)							1	A
-25	100828	. Nut - Hex 5/8-18							1	A,B
-26		. Sprocket.....							1	A,B
-27	100404	. Screw - Fil hd 1/4-28 x 2 in. lg							6	A,B
-28	100004	. Washer - Plain 1.4 in.							6	A,B
-29	100640	. Nut - Hex 1/4-28							6	A,B
-30	18080A	. Cover - Gear case							1	A,B
-31	18095A	. Shim							AS REQ'D	A,B
	18095B	. Shim							AS REQ'D	A,B
	18095C	. Shim							AS REQ'D	A,B
-32	100210	. Key							1	A,B
-33	101229	. Bearing - Single shield							1	A,B
-34	100828	. Nut - Hex 5/8-18							1	A,B
-35	18025A	. Spring							1	A,B
-36	100824	. Ball Bearing							1	A,B
-37		. Bevel Gear (Part of matched Gear Set #18781A)							1	A,B
-38	100210	. Key							1	A,B
-39	18086A	. Shaft - Sprocket							1	A,B
-40	100575	. Screw - Hex hd 5/16-24 x 5/8 in. lg							1	A,B
-41	101240	. Lockwasher							1	A,B
-42	18754A	. Washer							1	A,B
-43	18346A	. Drum Assembly							1	A,B
-44	100678	. Screw - Hex hd 1/4-28 x 5/8 in. lg							4	A,B

*When Clamp Plate #24381 is used, Pin #18278A, #18084B Case and Springs #18085A must be removed from the gear case assembly.

5-49, 7-55 AND
1225A ENGINES

FIGURE 13. (CONT)

FIG. & INDEX NO.	PART NO.	DESCRIPTION							UNITS PER ASSY	USABLE ON CODE
		1	2	3	4	5	6	7		
13-45	100640	.							4	A,B
-46	18091A	.							1	A,B
-47	101038	.							1	A,B
-48	18090B	.							1	A,B
-49	18097A	.							AS REQ'D	A,B
	18097B	.							AS REQ'D	A,B
	18097C	.							AS REQ'D	A,B
-50	18098A	.							1	A,B
-51	101039	.							1	A,B
-52	18092A	.							1	A,B
-53		.							1	A,B
-54	100682	.							1	A,B
-55	100007	.							1	A,B
-56	18633B	.							1	A,B
-57	18215B	.							1	A,B
-58	100745	.							1	B
-59	18085A	.							2	A,B
-60	18084B	.							2	A,B
-61	18275A	.							2	A,B
-62	18278A	.							2	A,B
-63	18279A	.							2	A,B
-64	100432	.							1	A,B

FIGURE 14. MODEL 7-55 TRANSMISSION ASSEMBLY

FIG. & INDEX NO.	PART NO.	DESCRIPTION							UNITS PER ASSY	USABLE ON CODE
		1	2	3	4	5	6	7		
(Also used as replacement Transmission Assembly on Model 5-49 and 1225A engines)										
Code: "C" indicates parts used on Model 7-55 engines.										
14-	24251A	.							1	C
-1	101492	.							4	C
-2	100257	.							4	C
	24381	.							1	C
-3	101496	.							1	C
-4	102022	.							1	C
-5	100007	.							1	C
-6	102193	.							1	C
-7	24380	.							1	C
-8	24378A	.							1	C
-9	24376	.							1	C
-10	28054	.							1	C
-11	24185	.							2	C
-12	100828	.							1	C
-13	24179	.							1	C
-14		.							1	C
-15	101843	.							1	C
-16	101930	.							6	C
	24131B	.							1	C
-17	24080B	.							1	C
-18	101313	.							1	C
-19	18095A	.							AS REQ'D	C
	18095B	.							AS REQ'D	C
	18095C	.							AS REQ'D	C
-20		.							1	C
-21	24359	.							1	C
-22	101692	.							1	C

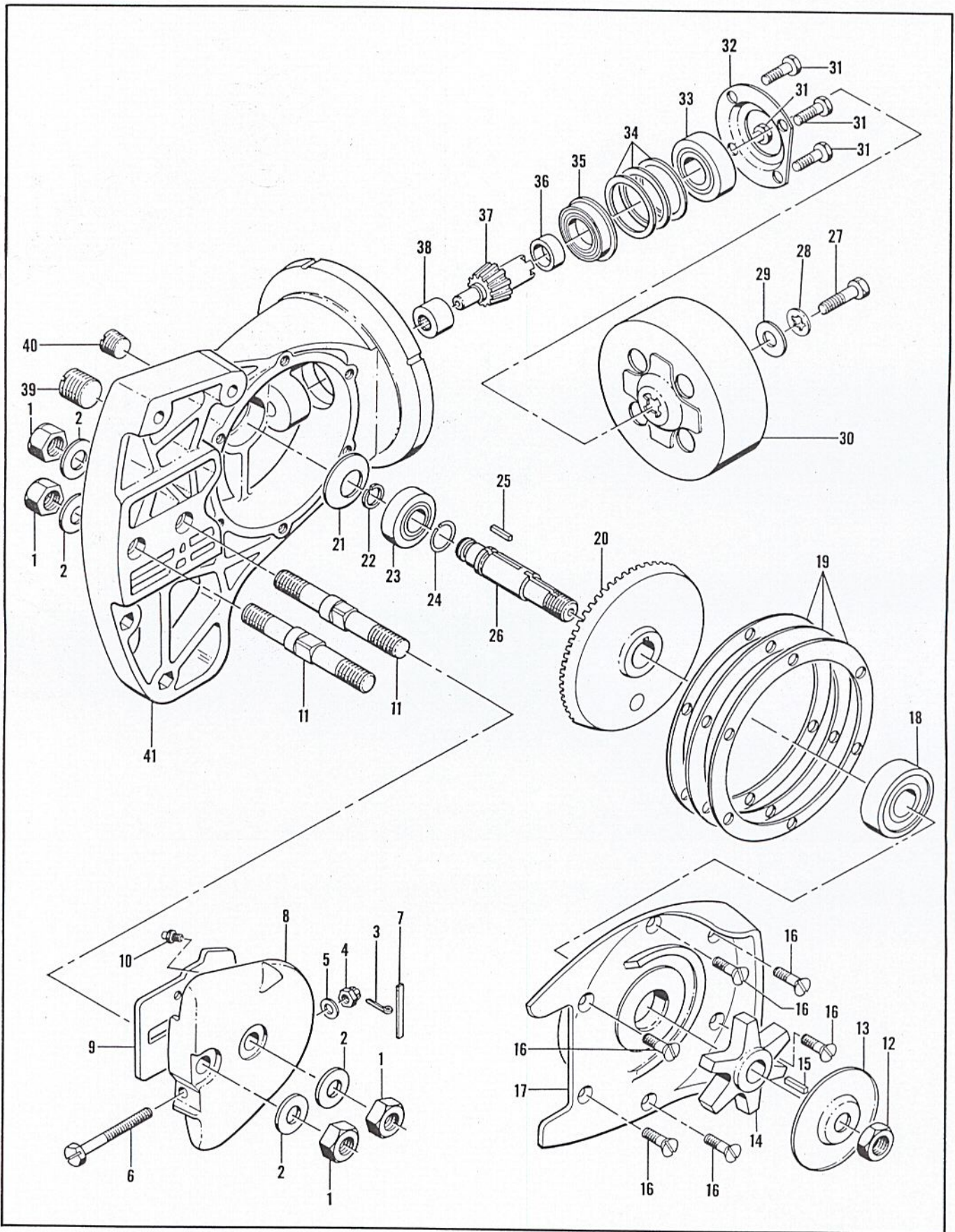


Figure 14. Model 7-55 Transmission Assembly

5-49, 7-55 AND
1225A ENGINES

FIGURE 14. (CONT)

FIG. & INDEX NO.	PART NO.	DESCRIPTION							UNITS PER ASSY	USABLE ON CODE
		1	2	3	4	5	6	7		
14-23	100576	.							1	C
-24	101435	.							1	C
-25	101843	.							1	C
-26	24357	.							1	C
-27	102075	.							1	C
-28	100443	.							1	C
-29	24070	.							1	C
-30	24821	.							1	C
-31	100882	.							4	C
-32	24064	.							1	C
-33	101332	.							1	C
-34	24030A	.							AS REQ'D	C
	24030B	.							AS REQ'D	C
	24030C	.							AS REQ'D	C
-35	24045	.							1	C
-36	24049	.							1	C
-37	24201	.							1	C
-38	101331	.							1	C
-39	101190	.							1	C
-40	100432	.							1	C
-41	24081B	.							1	C

FIGURE 15. MODEL 7-55 CLAMP RING AND CLUTCH ROTOR ASSEMBLY

FIG. & INDEX NO.	PART NO.	DESCRIPTION							UNITS PER ASSY	USABLE ON CODE
		1	2	3	4	5	6	7		
15-1	24114	.							1	C ¹
	24450	.							1	C ²
-2	101927	.							1	C ¹ , C ²
-3	24451	.							1	C ¹ , C ²
-4	24092	.							1	C ¹ , C ²
-5	24536	.							1	C ¹ , C ²
-6	101526	.							2	C ¹ , C ²
-7	24075	.							2	C ¹ , C ²
-8	24447	.							2	C ¹ , C ²
-9	102089	.							1	C ¹ , C ²
-10	24296	.							2	C ¹
	24445	.							2	C ²
-11	24295	.							1	C ¹
	24446	.							1	C ²
-12	24448A	.							1	C ¹ , C ²
-13	24449A	.							1	C ¹ , C ²
-14	24452	.							1	C ¹ , C ²
-15	24453	.							1	C ¹ , C ²

Code: "C¹" indicates parts used on early Model 7-55 engines.
 "C²" indicates parts used on later Model 7-55 engines.
 "C" indicates parts used on all Model 7-55 engines.

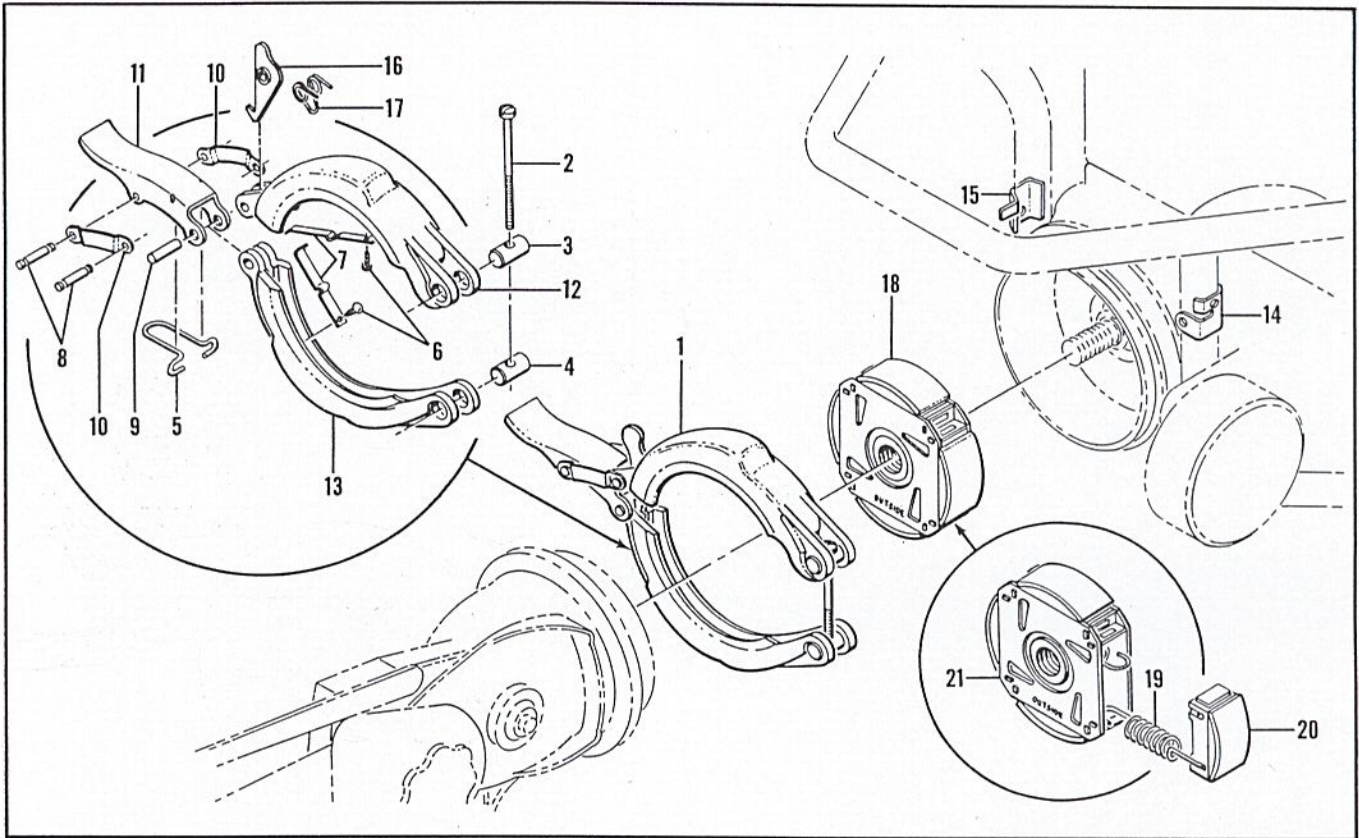


Figure 15. Model 7-55 Clamp Ring and Clutch Rotor Assemblies

FIGURE 15. (CONT)

FIG. & INDEX NO.	PART NO.	DESCRIPTION							UNITS PER ASSY	USABLE ON CODE
		1	2	3	4	5	6	7		
Replacement Clamp Ring Assembly #24450A										
15-1	24450A	Clamp Ring Assembly							1	C
-2	101927	. Screw - Fil hd clamp ring							1	C
-3	24451	. Pivot Pin							1	C
-4	24092	. Locking Pin							1	C
-6	101526	. Screw - No. 2 x 1/4 in. lg							1	C
-7	24075	. Spring - Clamp ring							2	C
-8	24447	. Pin - Clamp ring							2	C
-9	102089	. Pin - Groove.....							1	C
-10	24445	. Link - Clamp ring							2	C
-11	24446	. Lever - Clamp ring							1	C
-12	24448A	. Clamp Ring							1	C
-13	24449A	. Clamp Ring							1	C
-16	24720	. Latch Assembly							1	C
-17	24719	. Spring - Latch							1	C
-18	24168	Clutch Assembly (Not available - Order Clutch Assembly #24879)							1	C ¹ , C ²
-19	24143	. Spring - Clutch							4	C ¹ , C ²
-20	18890B	. Shoe - Clutch							4	C ¹ , C ²
-21	24882	. Side Plate Assembly - Clutch							1	C ¹ , C ²

5-49, 7-55 AND
1225A ENGINES

FIGURE 15. (CONT)

FIG. & INDEX NO.	PART NO.	DESCRIPTION							UNITS PER ASSY	USABLE ON CODE
		1	2	3	4	5	6	7		
Replacement Clutch Assembly #24879										
15-18	24879	Clutch Assembly							1	C
-19	24143	. Spring - Clutch							4	C
-20	24881	. Shoe - Clutch							4	C
-21	24882	. Side Plate Assembly							1	C

FIGURE 16. OUTBOARD HANDLE AND IDLER HANDLE

FIG. & INDEX NO.	PART NO.	DESCRIPTION							UNITS PER ASSY	USABLE ON CODE
		1	2	3	4	5	6	7		
Code: "A" indicates parts used on Model 5-49 engines. "B" indicates parts used on Model 1225A engines. "C" indicates parts used on Model 7-55 engines. "All" indicates parts used on all three model engines.										
16	18391B	Handle Assembly - Outboard							1	All
-1	100250	. Screw - Binding hd No. 10 x 3/8 in. lg							4	All
-2	18229A	. Cover							1	All
-3	18094A	. Knob							1	All
-4	100257	. Washer							1	All
-5	38006	. Screw							1	All
-6	18122B	. Handle - Outboard							1	All
-7	18207A	. Hand Grip							1	All
	18412A	Handle Assembly - Idler							1	All
-8	18094A	. Knob							1	All
-9	100257	. Washer							1	All
-10	18404A	. Guard							1	All
-11	100604	. Nut - Jam 1/2 x 20							1	All
-12	100257	. Washer							2	All
-13	18733A	. Pulley							1	All
-14	101047	. Bolt - Hex hd 1/2-20 x 2-1/2 in. lg							1	All
-15	100640	. Nut - Lock 1/4-28							1	All
-16	100641	. Screw - Hex hd 1/4-28 x 1-1/4 in. lg							1	All
-17	18515A	. Guide Assembly							1	All
-18	101158	. Bolt - Fin hd 3/8-24 x 1-1/4 in. lg							2	All
-19	101141	. Nut - Hex 3/8-24							2	All
-20	18207A	. Hand Grip							1	All
-21	18408A	. Handle - Outboard idler							1	All

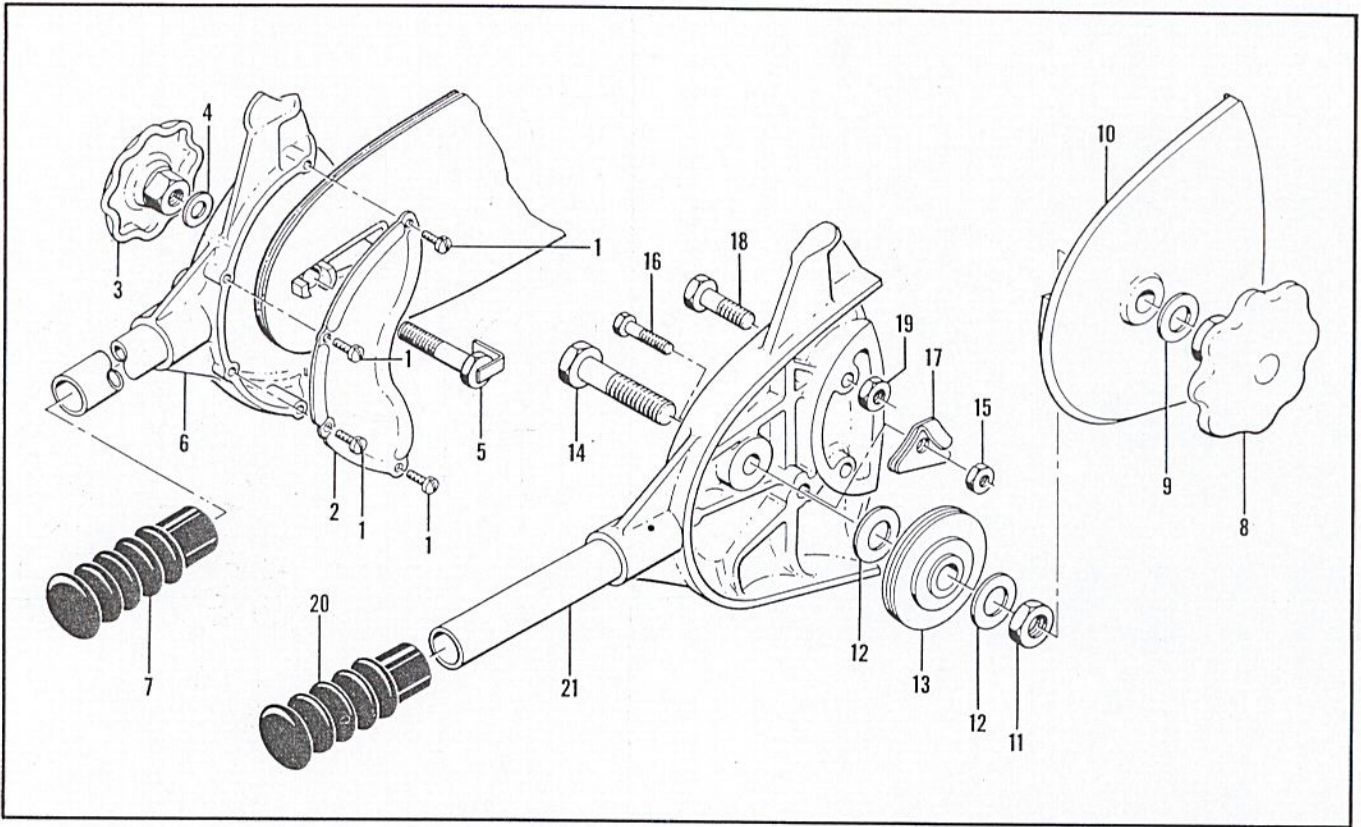


Figure 16. Outboard Handle and Idler Handle

The information contained in this Master Illustrated Parts List is based on original Illustrated Parts Lists, Engineering Records and the Master Parts Price List and is accurate to the best of our knowledge. Additions and changes will be covered in special lists to be issued periodically to distributors and dealers. The Master Illustrated Parts List will be revised and reissued annually if necessary.

This Master Illustrated Parts List carries all the available parts for servicing and repairing the listed chain saw engines. When assemblies are no longer sold but parts are available for repair of the assemblies, the individual parts are listed under the no-longer available assembly and the replacement assembly is carried in parenthesis directly after the name of the part. Replacement assemblies when used in the production of other models appear in sequence in the various lists. When the replacement assembly was not used in the production of other models, the replacement assembly and its parts are boxed.

Each chain saw model is given a code letter. Whenever the code letter appears in the right hand column, the part is used on the engines of the model for which the code letter stands. When a part is used on all models covered in the Master Illustrated Parts List, the word "All" appears in the right-hand column instead of the code letters. When a model uses two different assemblies to do the same thing, earlier engines using the first assembly are coded as (for example) "A1" and the later engines with the second assembly are coded "A2".

Names of parts have been checked and made to agree with the names given in the Master Parts Price List except in a very few cases where additional nomenclature was required.

The illustrations of the individual parts do not necessarily picture all the differences between parts with the same item number because the illustrations would be too complicated for use if they did. Instead, the illustration shows a representative part for each item number.