

# ILLUSTRATED PARTS LIST

MODELS	SERIAL NUMBER PREFIX	MODELS	SERIAL NUMBER PREFIX
600142B	11-	600143D	11-
600142D	11-	600144B	11-
600143B	11-		

McCulloch chain saws are identified by a model number (in this instance, 600142 ) followed by a suffix letter (A, B, C, etc.) stamped on the identification plate attached to the saw. Suffix letters denote variations in parts or assemblies in the manufacture of the saw.

Part numbers listed in this I.P.L. which have a suffix letter or letters following the description, indicate the part is used only on the model(s) identified by the letter or letters.

Part numbers and descriptions without suffix letter or letters apply to all versions of the chain saw model.

Part numbers which have one or more dots (.) preceding their descriptions may be ordered individually, but they are also included in the kit or assembly whose description begins directly above the dot(s).

Part numbers in this IPL which were not in the previous IPL covering these saws, are indicated by a dash (-) preceding the new part number.

The policy of McCulloch Corporation is one of continual improvement in design, manufacturing and engineering advancement wherever possible to assure still finer two-cycle power tools. Hence, specifications, equipment, colors, design and manufacturer's suggested list prices are subject to change without notice and McCulloch Corporation reserves the right to make such changes without prior notification or obligation to back-fit or supply backfit components for units previously shipped from the factory.

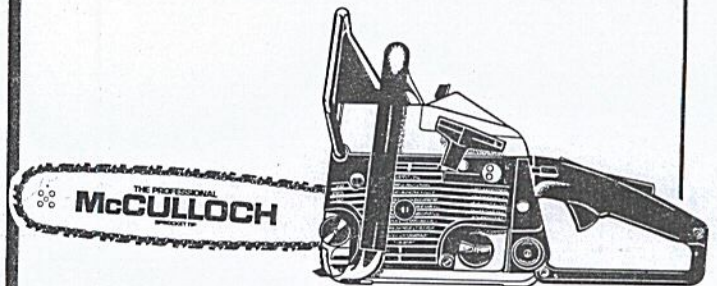
## PRO MAC™

### 430VC

### 435VC

### 440VC

## CHAIN SAW



JANUARY 1985



**McCULLOCH**  
**CORPORATION**

© U.S.A. - McCulloch Corporation, 1985

Printed in U.S.A.

218025-R1



# GENERAL ASSEMBLY

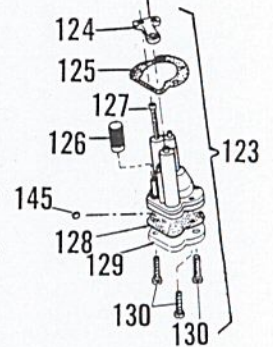
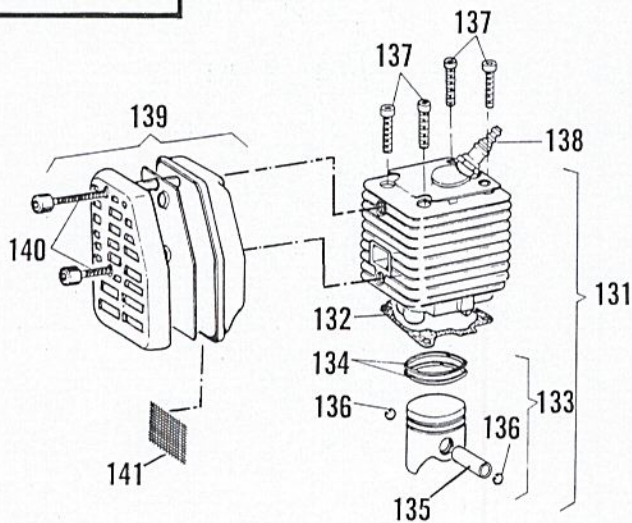
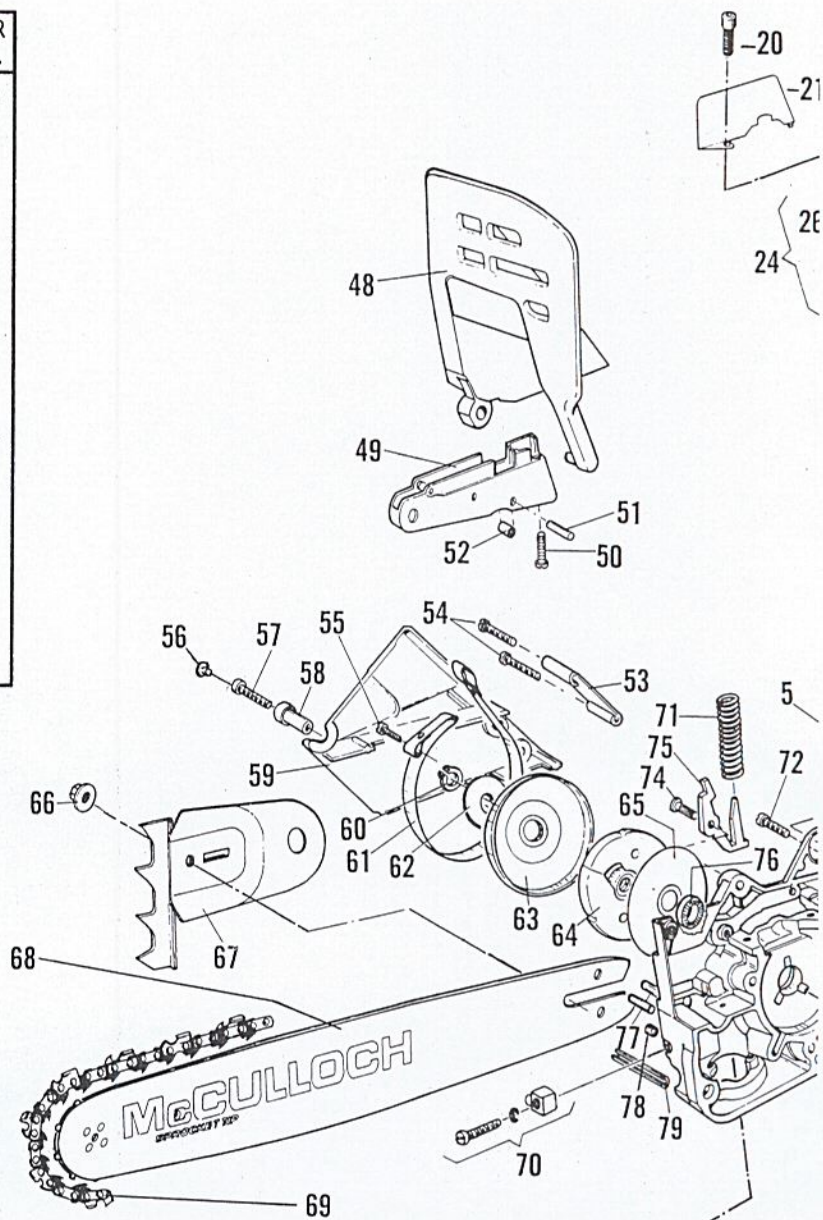
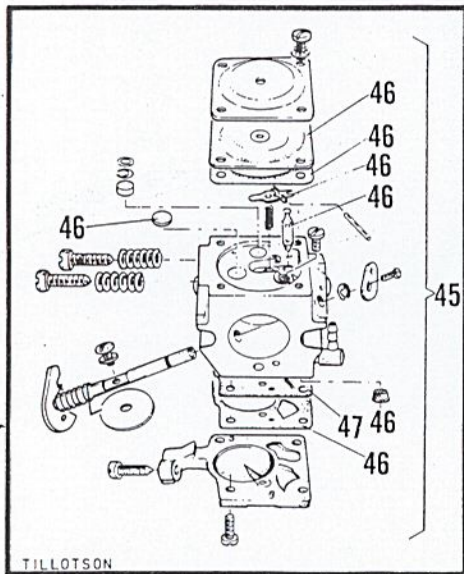
ITEM NO.	PART NUMBER	DESCRIPTION	UNITS PER ASY.
1	-235865	Front Handle	1
2	235803	Screw - M5 x 25 TCE	3
3	235248	Washer	3
4	235216	Nut - M5	1
5	235106	Bushing	4
6	235105	Shock Mount	4
7	235107	Washer	4
8	235642	Nut - M5	2
9	235807	Screw - M5 x 45	1
10	-235806	Screw - M5 x 20	1
11	235205	Screw	1
12	235374	Rear Handle Kit	1
13	235521	. Throttle Trigger	1
14	235104	. Spring	1
15	235519	. Safety Trigger	1
16	235281	Throttle Trigger Retainer	1
17	235170	Plug	1
18	-235636	Baffle - Warm Air Vent	1
19	235809	Top Cover	1
20	235802	Brake Shield Screw	1
21	235693	Brake Shield	1
22	-235811	Oiler Lever/Rod Retainer	1
23	-235225	Wavy Washer	1
24	-235816	Manual Oil Lever Kit	1
25	235281	. Oiler Lever/Rod Retainer	1
26	-235602	. Manual Oiler Rod	1
27	-235604	Oil Lever Pivot Pin	1
28	235686	Air Filter	1
29	235216	Nut - M5	1
30	235163	Washer	1
31	235225	Elastic Washer	1
32	235020	Choke	1
33	235033	Choke Bushing	1
34	235216	Nut - M5	1
35	-235946	Air Filter Box	1
36	235601	. Cover Attachment Latch	1
37	235697 ④	Foam Gasket	1
38	235216	Nut - M5	2
39	235183	Carburetor Bolt	2
40	235234 ④	Gasket - Carburetor Cover	1
41	235015 ④	Reed Gasket	1
42	235120	Reed Valve	1
43	235016 ④	Carburetor Gasket	1
44	235522	Screwdriver Guide	1
45	235270 ①②	Carburetor	1
45	235449 ③	Carburetor	1
46	235370	Carburetor Repair Kit	1
	-- --	. Diaphragm	1
	-- --	. Diaphragm Gasket	1
	-- --	. Inlet Control Lever	1
	-- --	. Inlet Needle	1
	-- --	. Welch Plug	1
	-- --	. Body Channel Screw	1
	-- --	. Flange Gasket	1
	-- --	. Fuel Pump Gasket	1
47	235254	. Fuel Pump Gasket	1
48	235082	CHAIN BRAKE Lever	1
49	235177	Brake Box	1
50	235205	Brake Box Screw	1
51	235226	Brake Band Pivot Pin	1
52	214368	Roller Bearing	1
53	235155	Spacer - Bracket	1
54	-235530	Screw - M5 x 35	2
55	235812	Brake Band Screw	1
56	235805	Screw Cap	1
57	235530	Screw - Skt. Hd. M6 x 35	1
58	235512	Brake Bushing	1
59	235444	Clutch Cover	1
60	235224	Seeger Ring	1
61	235073	Brake Band	1
62	235287	Clutch Washer	1

ITEM NO.	PART NUMBER	DESCRIPTION	UNITS PER ASY.
63	215252	Drum/Spkt./Bearing Assembly	1
64	235115	Clutch	1
65	235701	Saw Dust Shield	1
66	235217	Bar Retaining Nut - M6	1
67	235620	Spike	1
68	214234	Guide Bar - 12"	1
68	214235	Guide Bar - 14"	1
68	214236	Guide Bar - 16"	1
69	218095N	Saw Chain - 12"	1
69	218096N	Saw Chain - 14"	1
69	218097N	Saw Chain - 16"	1
70	235574	Chain Tension Kit	1
71	235076	Brake Latch Spring	1
72	235804	Screw - M5 x 30 TCE	6
73	-235863	Crankcase Kit	1
74	235075	. Pivot Latch	1
75	-94006	. Brake Latch	1
76	235229	. Seal	1
77	235424	. Bar Pin	1
78	235641	. Oil Vent	1
79	235222	. Chain Catcher	1
80	235230	. Crankshaft Bearing	2
81	235190	. Bushing	1
82	235221	. Pin	1
83	-235765	Crankshaft	1
84	102165	Key - Woodruff	1
85	-- -- ④	Crankcase Gasket	1
86	-- -- ④	Crankcase Gasket	1
87	235672	Rubber Support - Fuel Tank	1
88	235670	Fuel Tank Protective Shield	1
89	235674	Rubber Support - Fuel Tank	1
90	235729	Fuel Tank Kit	1
91	235861	. Fuel Tank Neck	1
92	235510	. "O" Ring	1
93	93720	Fuel Tank Filter	1
94	235675	Fuel Tank Grommet	1
95	235713	Fuel Hose	2
96	235741	Vent Valve - Fuel Hose	1
97	235758	Felt Vent - Fuel Line	1
98	235551	Fuel Tank Cap Kit	1
99	235510 ④	. "O" Ring	1
100	235138	Flywheel/Pawl Kit	1
101	235518	. Starter Spring	2
102	235517	. Starter Pawl	2
103	-235372	. Starter Pin Pawl	2
104	235218	Flywheel Retaining Nut - M8	1
105	235552	Oil Tank Cap Kit	1
106	235061 ④	. Oil Cap Gasket	1
107	235802	Screw - M5 x 14	1
108	235480	Starter Kit	1
109	235372	. Drum/Rope Assembly	1
110	83203	. Starter Rope	1
111	235048	. Starter Washer	2
112	-235631	. Starter Assembly Nut	1
113	235371	. Rewind Spring	1
114	235430	. Screw - Slotted	1
115	235043	. Starter Handle	1
116	235643	Fan Baffle	1
117	235034	Electronic Ignition System	1
118	235238	. High Tension Wire	1
119	235368	Ignition Contact	1
120	235436	On - Off Knob	1
121	235429	Bracket - Ignition	1
122	235239	Ignition Bracket Screws	2
123	235513	Oil Pump Kit	1
124	235159 ④	. Oil Pump Gasket	1
125	235051 ④	. Oil Pump Gasket	1
126	235438	. Oil Filter Screen	1
127	-235173	Oiler Adjustment Screw	1
128	-- -- ④	Oil Pump Gasket	1
129	-235515	Oil Pump Gasket	1



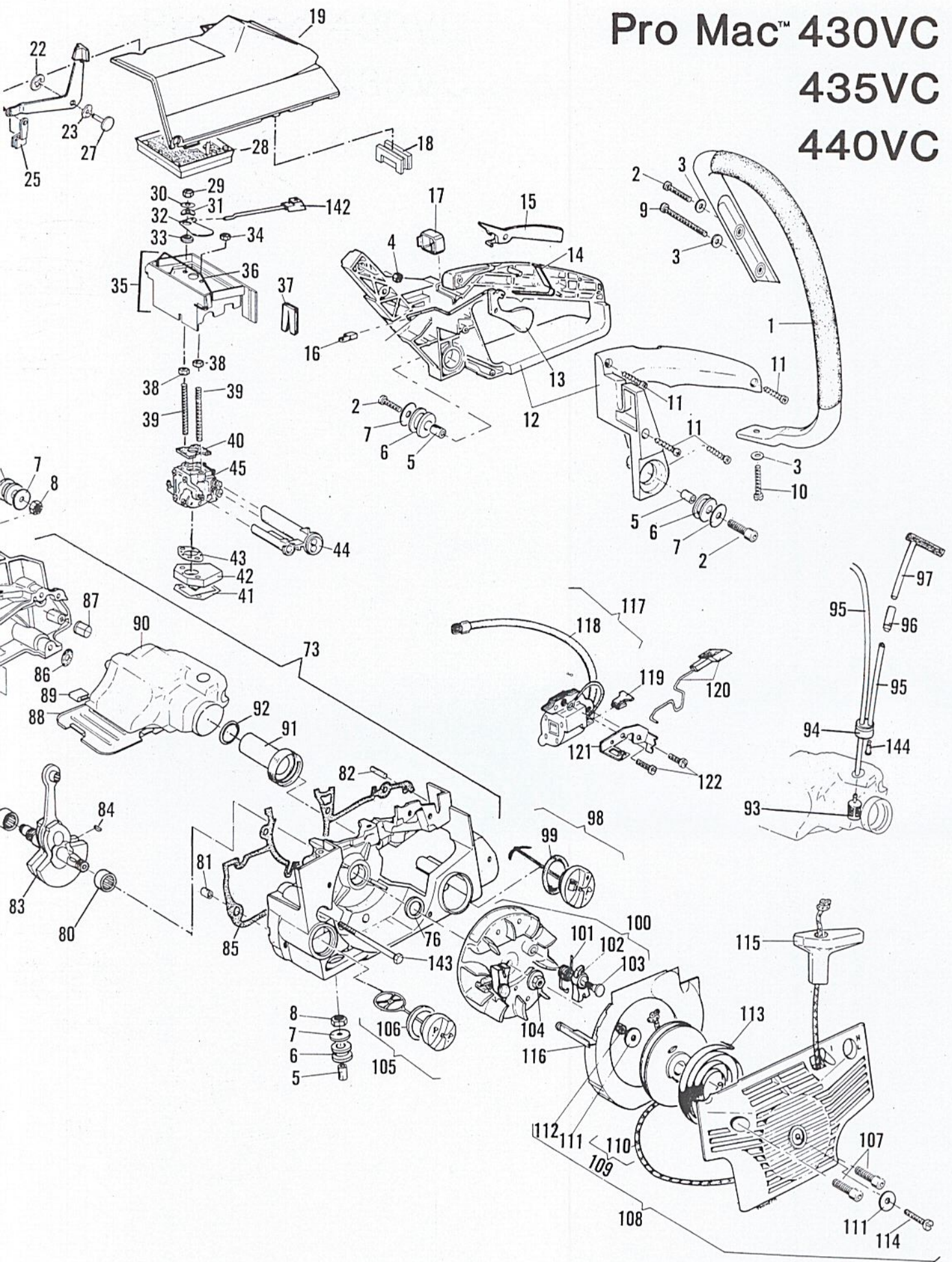
ITEM NO.	PART NUMBER	DESCRIPTION	UNITS PER ASY.
130	235801	Screw - M4 x 16 TCE	3
131	235477 ①	Cylinder Kit	1
131	235800 ②	Cylinder Kit	1
131	235798 ③	Cylinder Kit	1
132	235135 ④	. Cylinder Gasket	1
133	235376 ①	. Piston Kit	1
133	235799 ②	. Piston Kit	1
133	235797 ③	. Piston Kit	1
134	235006 ①	. . Piston Ring Set	1
134	235677 ②	. . Piston Ring Set	1
134	235678 ③	. . Piston Ring Set	1
135	-235007	. . Wrist Pin	1
136	-235008	. . Wrist Pin Spring	2
137	235806	Screw - M6 x 20 TCE	4
138	214223	Spark Plug	1
139	235745	Muffler Assembly	1
140	235808	. Screw - M5 x 50	2
141	235665	. Spark Arrester Screen	1
142	235187	Choke Knob	1
143	235215	Screw - M6 x 90	1
144	-235673	Fuel Line Vent Screw	1
145	-235186	Check Ball - Oil Pump	1

- ① Used on Pro Mac 430 VC
- ② Used on Pro Mac 435 VC
- ③ Used on Pro Mac 440 VC
- ④ Contained in Crankcase Gasket Kit, P/N 235796





# Pro Mac™ 430VC 435VC 440VC





# PRO MAC™ 430VC, 435VC, 440VC

## SERVICE SPECIFICATIONS

Spark Plug Gap	.025 inch (.63 mm)
Lamination Gap	.010 to .012 inch (.25 to .30 mm)
Timing	26 BTDC
Clutch Engagement Speed	3500 RPM
Idle Speed	2800 RPM
Displacement	
PM 430 VC	1.8 cubic inches
PM 435 VC	2.1 cubic inches
PM 440 VC	2.4 cubic inches
Bore and Stroke	
PM 430 VC	1.377 x 1.181 inches (35 x 30 mm)
PM 435 VC	1.496 x 1.181 inches (38 x 30 mm)
PM 440 VC	1.614 x 1.181 inches (41.66 x 30 mm)
Ignition	Solid State
Fuel/Oil Mixture Ratio	40:1 with McCulloch Oil
Oil Tank Capacity	6.8 ounces (204 cc)
Fuel Type	Regular grade, leaded
Fuel Tank Capacity	15.2 ounces (456 cc)
Filter System - Fuel	Felt/Replaceable
Filter System - Air	Felt with Seal/Replaceable
Piston Rings	2 Cast Iron Compression
Carburetor	Diaphragm type, 2 needle
Weight (With bar and chain)	12.6 pounds