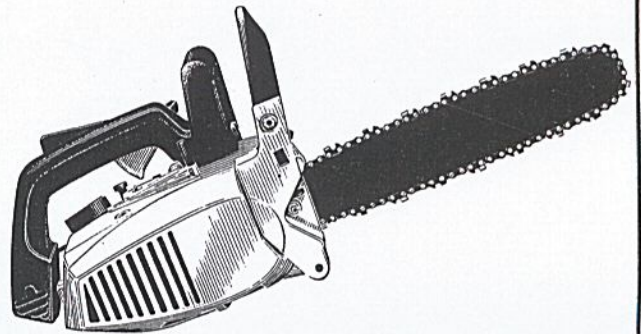


ILLUSTRATED PARTS LIST

| PM 310 | | PM 320 | | PM 330 | |
|---------------|----------------------|-----------|----------------------|-----------|----------------------|
| MODELS | SERIAL NUMBER PREFIX | MODELS | SERIAL NUMBER PREFIX | MODELS | SERIAL NUMBER PREFIX |
| 600042-01 | 16- | 600021-03 | 16- | 600043-05 | 16- |
| 600042-02 | 16- | 600021-05 | 16- | 600043-07 | 16- |
| 600042-03 | 16- | 600021-06 | 16- | 600043-10 | 16- |
| 600042-04 | 16- | 600021-07 | 16- | 600043-16 | 16- |
| 600042-05 | 16- | 600021-08 | 16- | 600043-21 | 16- |
| 600042-06 | 16- | 600021-09 | 16- | | |
| 600042-07 | 16- | 600021-10 | 16- | | |
| 600042-08 | 16- | 600021-11 | 16- | | |
| 600042-10 | 16- | 600021-16 | 16- | | |
| 600042-11 | 16- | 600021-21 | 16- | | |
| EB 2.1 | | | | | |
| | | | | 600132-02 | 11- |
| | | | | 600132-03 | 11- |

EAGER BEAVER™ 2.1 and POWER MAC™ 310, 320, 330



McCulloch Chain Saws are identified by a model number (600042, 600021, etc.) followed by a suffix number (01, 03, 04, etc.). Suffix numbers denote variations in parts or assemblies used in the manufacture of this product.

Part numbers listed in this I.P.L. which have a circled number ② or numbers preceding the description, are used only on the model or models identified by a circled number ② or numbers.

Part numbers which have one or more dots (.) preceding their descriptions may be ordered individually, but they are also included in the kit or assembly whose description begins directly above the dot(s).

The policy of McCulloch Corporation is one of continual improvement in design, manufacturing and engineering advancement wherever possible to assure still finer power tools. Hence, specifications, equipment, colors, design and manufacturer's suggested list prices are subject to change without notice and McCulloch Corporation reserves the right to make such changes without prior notification or obligation to backfit or supply backfit components for units previously shipped from the factory.

- CONTENTS -

| | Page |
|--|------|
| Figure 1. General | 2 |
| Figure 2. CHAIN BRAKE Assembly | 4 |
| Figure 3. Carburetor Assembly | 5 |
| Figure 4. Powerhead Assembly | 6 |
| Figure 5. Handle Assemblies | 8 |
| Figure 6. Bar & Chain Combinations | 9 |
| Figure 7. Tools/Accessories/Lubricants . | 9 |
| Figure 8. Service Specifications | 9 |

AUGUST 1987


McCULLOCH
 CORPORATION

© U.S.A. - McCulloch Corporation, 1987

Printed in U.S.A.

216186-01

Figure 1 GENERAL ASSEMBLY

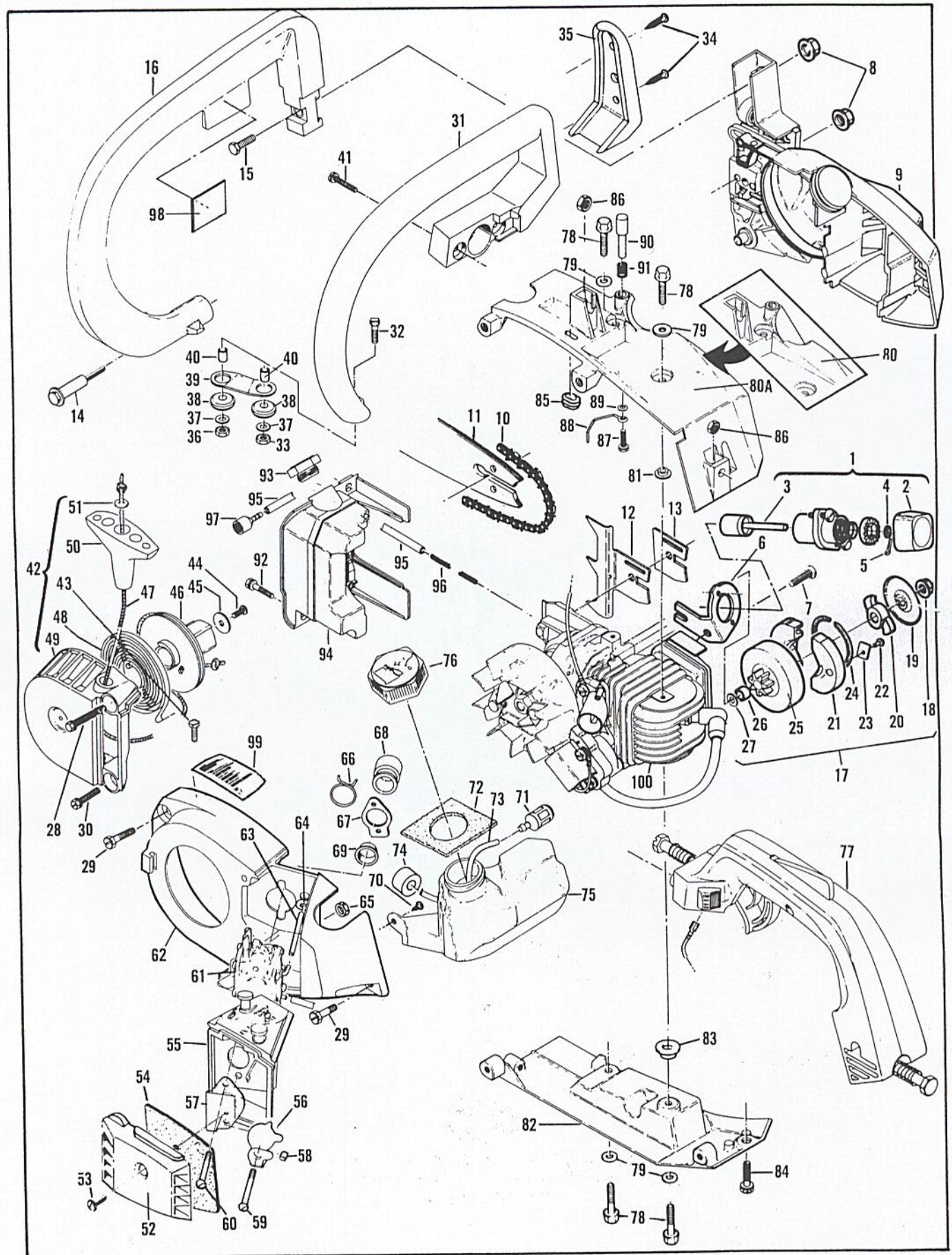


FIGURE 1 GENERAL ASSEMBLY

| ITEM NO. | PART NUMBER | DESCRIPTION | UNITS PER ASY. |
|----------|-------------|--|----------------|
| 1 | ① 216132 | Kit-Auto Sharp | 1 |
| 2 | ① 215447 | . Knob | 1 |
| 3 | ① 218294 | . Wheel Asy-Grinding | 1 |
| 4 | ① 216134 | .. Washer | 1 |
| 5 | ① 216133 | .. Pin-Cotter | 1 |
| 6 | ① 215208 | . Bracket-Auto Sharp | 1 |
| 7 | 120025 | Screw-M5x10 (35-40 in. lb. torque) | 2 |
| 8 | 120029 | Nut-Flange M6.3x1.0 | 2 |
| 9 | Fig. 2 | Chain Brake Asy | 1 |
| 10 | ② Fig. 6 | Chain | 1 |
| 11 | ② Fig. 6 | Bar | 1 |
| 12 | ③ 214207 | Spike | 1 |
| 13 | ③ 93148 | Spacer-Bar Pad | 1 |
| 14 | 215695 | Screw-M5x50 | 1 |
| 15 | 120028 | Screw-M6.3x20 | 1 |
| 16 | 93021-01 | Lever-Wraparound | 1 |
| 17 | 213278 | Kit-Clutch | 1 |
| 18 | 94244 | . Nut-Clutch (160-170 in. lb. torque) | 1 |
| 19 | 94243 | . Plate-Dust | 1 |
| 20 | -- -- | . Rotor-Clutch | 1 |
| 21 | 213277 | . Clutch Asy | 1 |
| 22 | -- -- | .. Rivet-1/8x.547 | 2 |
| 23 | -- -- | .. Plate-Clutch Shoe | 2 |
| 24 | -- -- | .. Spring Asy-Clutch | 1 |
| 25 | ② 215252 | Drum/Sprocket/Bearing Asy | 1 |
| 26 | 91222 | . Bearing-Needle | 1 |
| 27 | ④ 67650 | . Bearing | 1 |
| 27 | 215259 | . Washer-Sprocket | 1 |
| 28 | ④ 67303 | . Washer | 1 |
| 28 | 120096 | Screw-M5x55 (35-40 in. lb. torque) | 1 |
| 29 | 120095 | Screw-M5x20 (40-50 in. lb. torque) | 2 |
| 30 | 120098 | Screw-M5x18 (35-40 in. lb. torque) | 1 |
| 31 | 216816 | Frame Asy | 1 |
| 32 | 216064 | . Screw-M5 T-Head | 1 |
| 33 | 216585 | . Nut-M5 (35-40 in. lb. torque) | 1 |
| 31 | ⑤ 216504 | Frame Asy-Weighted | 1 |
| 32 | ⑤ 216064 | . Screw-M5 T-Head | 1 |
| 33 | ⑤ 216585 | . Nut-M5 (35-40 in. lb. torque) | 1 |
| 34 | ⑤ 111011 | . Screw-10-16x.875 | 2 |
| 35 | ⑤ 95141 | . Weight-Frame | 1 |
| 36 | 216585 | Nut-M5 (35-40 in. lb. torque) | 1 |
| 37 | 120045 | Washer-M5 | 2 |
| 38 | 110989 | Grommet | 2 |
| 39 | 93152 | Link | 1 |
| 40 | 93057 | Spacer-Mount | 2 |
| 41 | 120036 | Screw-M4x25 (15-20 in. lb. torque) | 2 |
| 42 | 216491 | Starter Asy | 1 |
| 43 | 216064 | . Bolt-M5 T-Head | 1 |
| 44 | 110041 | . Screw-8-32x.50 | 1 |
| 45 | 68497 | . Washer | 1 |
| 46 | ⑥ 213257 | . Drum/Rope Asy | 1 |
| 47 | 83203 | .. Rope-Starter | 1 |

| ITEM NO. | PART NUMBER | DESCRIPTION | UNITS PER ASY. |
|----------|-------------|---|----------------|
| 48 | 83078 | . Spring-Rewind | 1 |
| 49 | 216485 | . Housing-Starter | 1 |
| 50 | 91255 | . Handle/Washer Asy | 1 |
| 51 | 105490 | .. Washer-Handle | 1 |
| 52 | 215481 | Cover/Screw Asy-Air Filter | 1 |
| 53 | 213118 | . Screw-Air Filter Cover | 1 |
| 54 | 215456 | Filter-Air | 1 |
| 55 | 215482 | Box Asy-Air | 1 |
| 56 | 213411 | Plate-Choke | 1 |
| 57 | 215455 | Bracket-Choke | 1 |
| 58 | 213420 | Spacer | 1 |
| 59 | 213105 | Screw-M5x55 (30-40 in. lb. torque) | 1 |
| 60 | 213104 | Screw-M5x50 (30-40 in. lb. torque) | 1 |
| 61 | Fig. 3 | Carburetor Asy | 1 |
| 62 | 215563 | Housing Asy-Fan | 1 |
| 63 | 213542 | . Hose-Pulse | 1 |
| 64 | 215562 | . Grommet | 1 |
| 65 | 94501 | . Nut-M5x0.8 Thin | 1 |
| 66 | 94302 | Clip-Spring | 1 |
| 67 | 92747 | Flange-Carburetor Mounting | 1 |
| 68 | 213211 | Boot/Eyelet Asy | 1 |
| 69 | 95656 | . Eyelet | 1 |
| 70 | 111002 | Screw-10-16x1/2 | 1 |
| 71 | 93720 | Pickup-Fuel | 1 |
| 72 | 94491 | Seal-Fuel Vent | 1 |
| 73 | 93997 | Hose-Fuel | 1 |
| 74 | 90869 | Insert-Cushion | 1 |
| 75 | 216666 | Fuel Tank/Cap Asy | 1 |
| 76 | 216157 | . Cap Asy-Fuel W/Retainer | 1 |
| 77 | Fig. 5 | Handle-Asy | 1 |
| 78 | ⑦ 213172 | Screw-M6x17 (90-100 in. lb. torque) | 4 |
| ⑦ | 213166 | Screw-M6x16 (90-100 in. lb. torque) | 4 |
| 79 | 213021 | Washer-Ramp Conical | 4 |
| 80 | ⑧ 219319 | Top Shroud (without Recess) | 1 |
| 80A | ⑧ 214152 | Kit-Top Shroud (with Recess) | 1 |
| 81 | 214350 | . Insulator | 1 |
| 82 | 214154 | Kit-Bottom Shroud | 1 |
| 83 | 214350 | . Insulator | 1 |
| 84 | 120095 | Screw-M5x20 (40-50 in. lb. torque) | 1 |
| 85 | 94192 | Grommet | 1 |
| 86 | 120034 | Nut-M6x1.0 | 2 |
| 87 | 110999 | Screw-6-20x5/8 (8-10 in. lb. torque) | 1 |
| 88 | 94540 | Rod-Oiler | 1 |
| 89 | 100001 | Washer-Plain | 1 |
| 90 | 217782 | Knob-Oiler | 1 |
| 91 | 93634-01 | Spring-Compression | 1 |
| 92 | 120095 | Screw-M5x20 (35-40 in. lb. torque) | 2 |
| 93 | 216095 | Cap-Oil | 1 |
| 94 | 216696 | Tank Asy-Oil | 1 |
| 95 | 94405 | . Hose-Oil Pickup | 1 |
| 96 | 93998 | . Spring-Oil Hose | 1 |
| 97 | 92465 | . Pickup-Oil | 1 |
| 98 | 219058 | Label-Safety | 1 |
| 99 | 218558 | Label-Instruction | 1 |
| 100 | Fig. 4 | Powerhead | 1 |

① Used on PM 320 models.

② Models with a suffix number 10 were originally equipped with a .250 pitch bar. Chain and Drum/Sprocket Assembly which is no longer available. Should replacement become necessary, order item number 25 as well as Bar and Chain as shown in Figure 6.

③ The Spike and Bar Pad Spacer are interchangeable.

④ Used on PM 310 and PM 330 models with the suffix number 10 only.

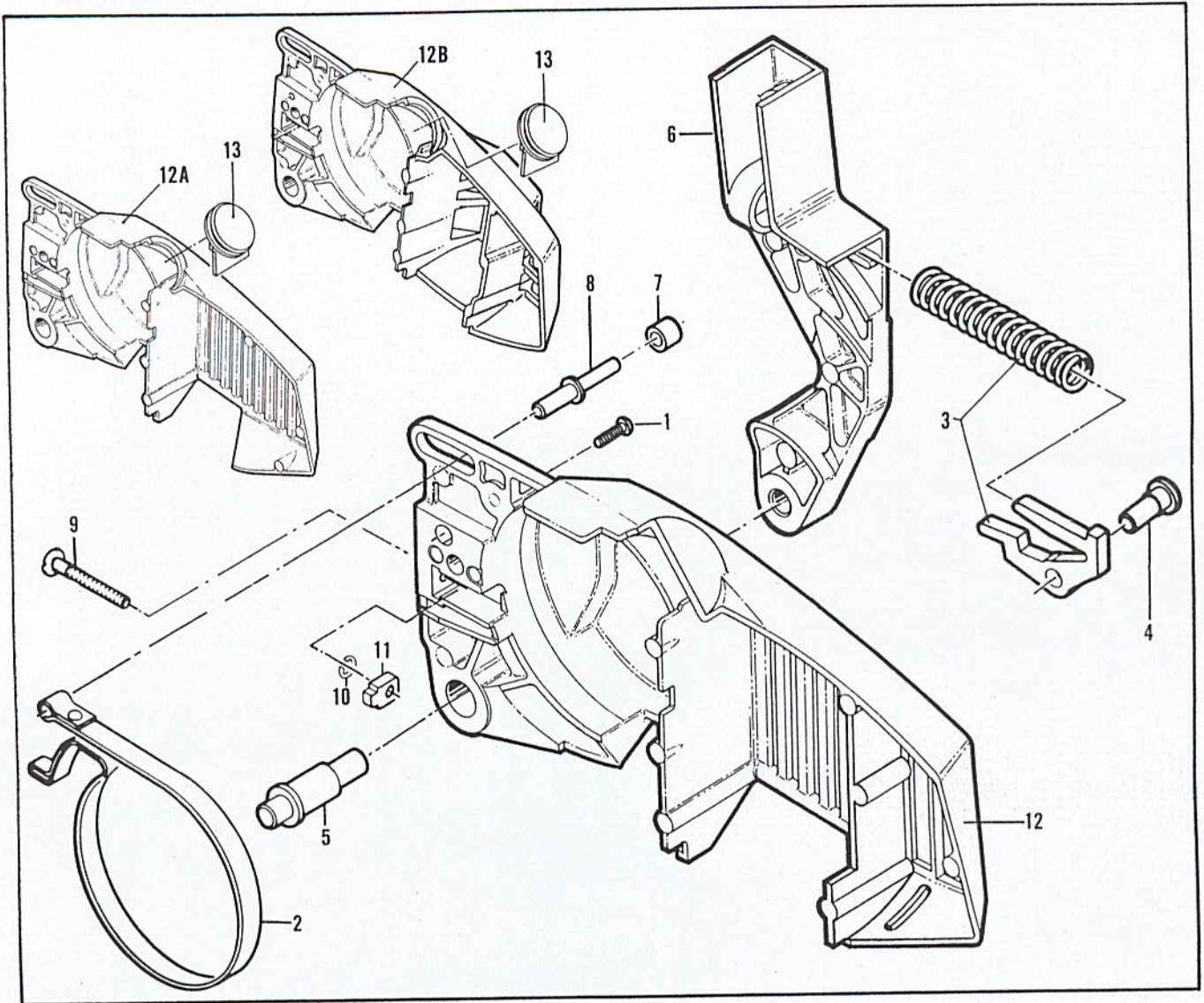
⑤ Used on PM 330 models with suffix number 10.

⑥ See Service Bulletin 1833

⑦ P/N 213172 for use in Cylinders currently manufactured without threaded inserts.
P/N 213166 for use in Cylinders with threaded inserts.

⑧ Identify, by sight, which Top Shroud you have before ordering replacement parts.

Figure 2 CHAIN BRAKE ASSEMBLIES



| ITEM NO. | PART NUMBER | DESCRIPTION | UNITS PER ASY. |
|----------|-------------|--------------------|----------------|
| | ① 219323 | Brake Asy-Chain | 1 |
| | ① 216409 | Brake Asy-Chain | 1 |
| | ① 216552 | Brake Asy-Chain | 1 |
| 1 | 111047 | . Screw-8-32x.625 | 1 |
| 2 | 94709 | . Band-Brake | 1 |
| 3 | 215758 | . Latch/Spring Kit | 1 |
| 4 | 93602 | . Pivot-Latch | 1 |
| 5 | 216549 | . Pivot-Lever | 1 |
| 6 | 93159 | . Lever-Actuating | 1 |

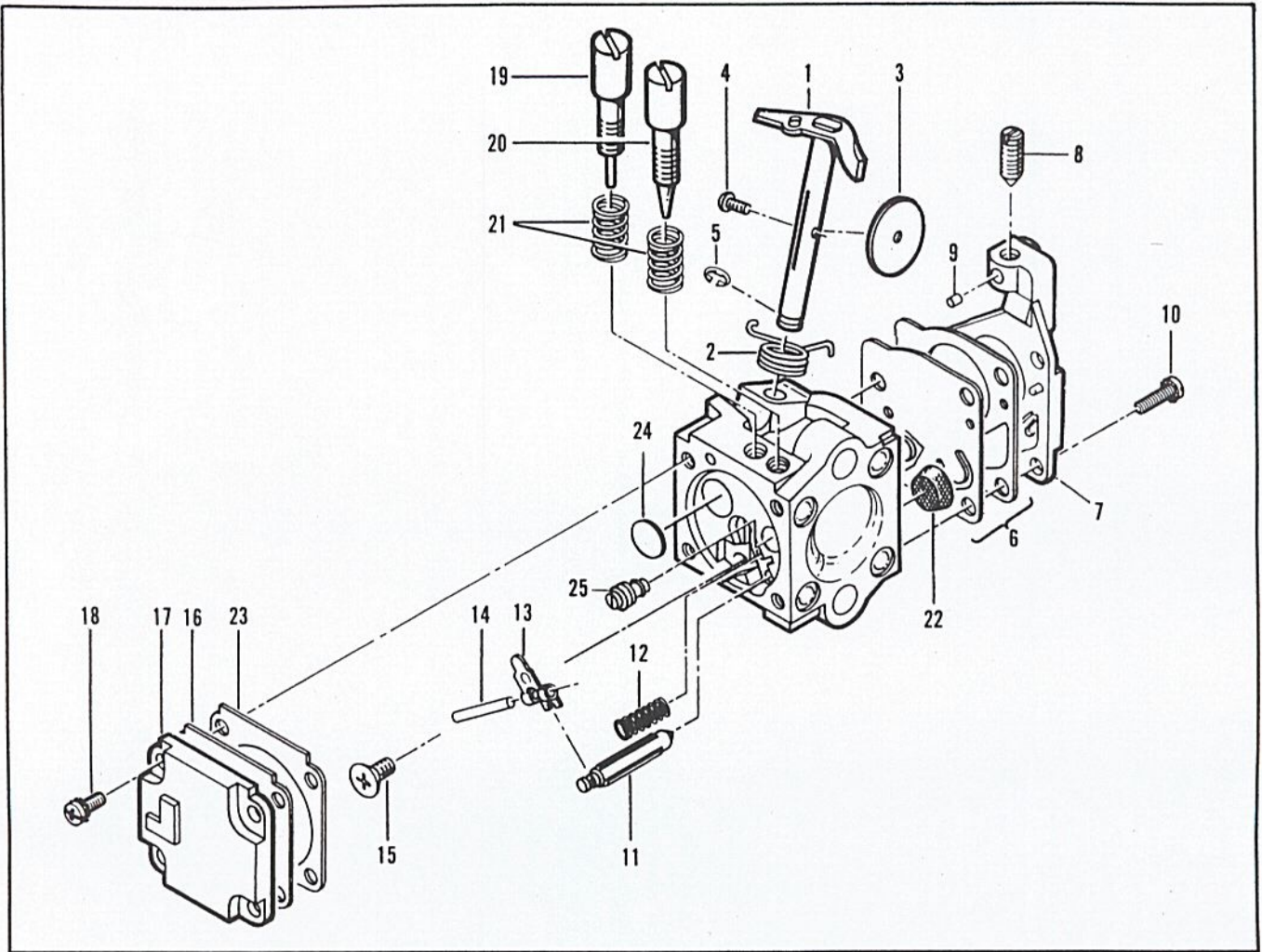
| ITEM NO. | PART NUMBER | DESCRIPTION | UNITS PER ASY. |
|----------|-------------|---------------------|----------------|
| 7 | 214368 | . Bearing-Roller | 1 |
| 8 | 213907 | . Pin-Roller | 1 |
| 9 | 90658 | . Screw-Adjusting | 1 |
| 10 | 110907 | . Ring-Retaining | 1 |
| 11 | 84929 | . Nut-Bar Adjusting | 1 |
| 12 | ① 219321 | . Housing-Brake | 1 |
| 12A | ① 216409 | . Housing-Brake | 1 |
| 12B | ① 216270 | . Housing-Brake | 1 |
| 13 | ② 93528-01 | Cover-Auto Sharp | 1 |

① Prior to ordering replacement parts, identify, by sight, which Brake Housing you need.

② Used on PM 310 and 330 Models.

CARBURETOR ASSEMBLY

Figure 3



| ITEM NO. | PART NUMBER | DESCRIPTION | UNITS PER ASY. |
|----------|-------------|-----------------------------|----------------|
| | 94496 | Carburetor Assembly (Zama) | 1 |
| 1 | -- | . Shaft Asy - Throttle | 1 |
| 2 | -- | . Spring - Throttle Return | 1 |
| 3 | -- | . Plate - Throttle | 1 |
| 4 | -- | . Screw - Plate (M3)* | 1 |
| 5 | -- | . "E" Ring | 1 |
| 6 | -- ①② | . Kit - diaphragm & Gaskets | 1 |
| 7 | -- | . Cover Asy - Pump | 1 |
| 8 | -- | . . Screw - Idle Speed | 1 |
| 9 | -- | . . Insert - Friction | 1 |
| 10 | -- | . Screw - Pump Cover (M4)* | 4 |
| 11 | -- ① | . Needle - Inlet | 1 |
| 12 | -- ① | . Spring - Lever | 1 |

| ITEM NO. | PART NUMBER | DESCRIPTION | UNITS PER ASY. |
|----------|-------------|--------------------------------|----------------|
| 13 | -- ① | . Lever - Inlet Needle | 1 |
| 14 | -- ① | . Pin - Lever | 1 |
| 15 | -- ① | . Screw - Lever Pin (M3)* | 1 |
| 16 | -- ②③ | . Diaphragm Asy - Metering | 1 |
| 17 | -- | . Cover - Diaphragm | 1 |
| 18 | -- | . Screw - Diaphragm Cover(M3)* | 4 |
| 19 | -- ③ | . Screw - Idle Adjust | 1 |
| 20 | -- ③ | . Screw - Main Adjust | 1 |
| 21 | -- ③ | . Spring - Needle | 2 |
| 22 | -- ① | . Screen - Filter | 1 |
| 23 | -- ① | . Gasket - Metering Diaphragm | 1 |
| 24 | -- ① | . Welch Plug | 1 |
| 25 | -- ① | . Orifice - Main Fuel | 1 |

* The "M" denotes metric screw size.

① Contained in Repair Kit, P/N 217081.

② Contained in Gasket/Diaphragm Kit, P/N 217089.

③ Contained in Needle Kit, P/N 216804.

Figure 4

POWERHEAD ASSEMBLY

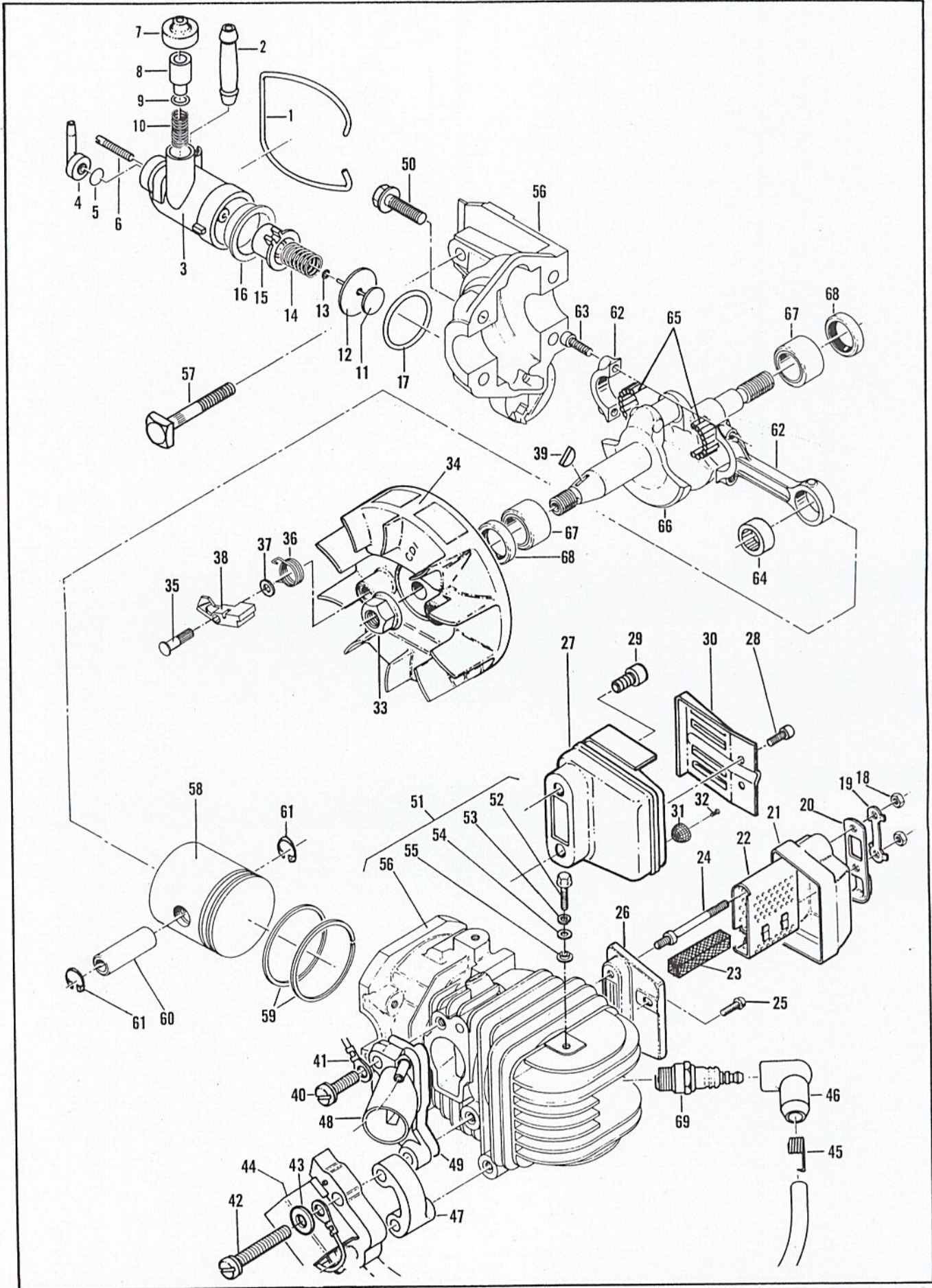


FIGURE 4 POWERHEAD ASSEMBLY

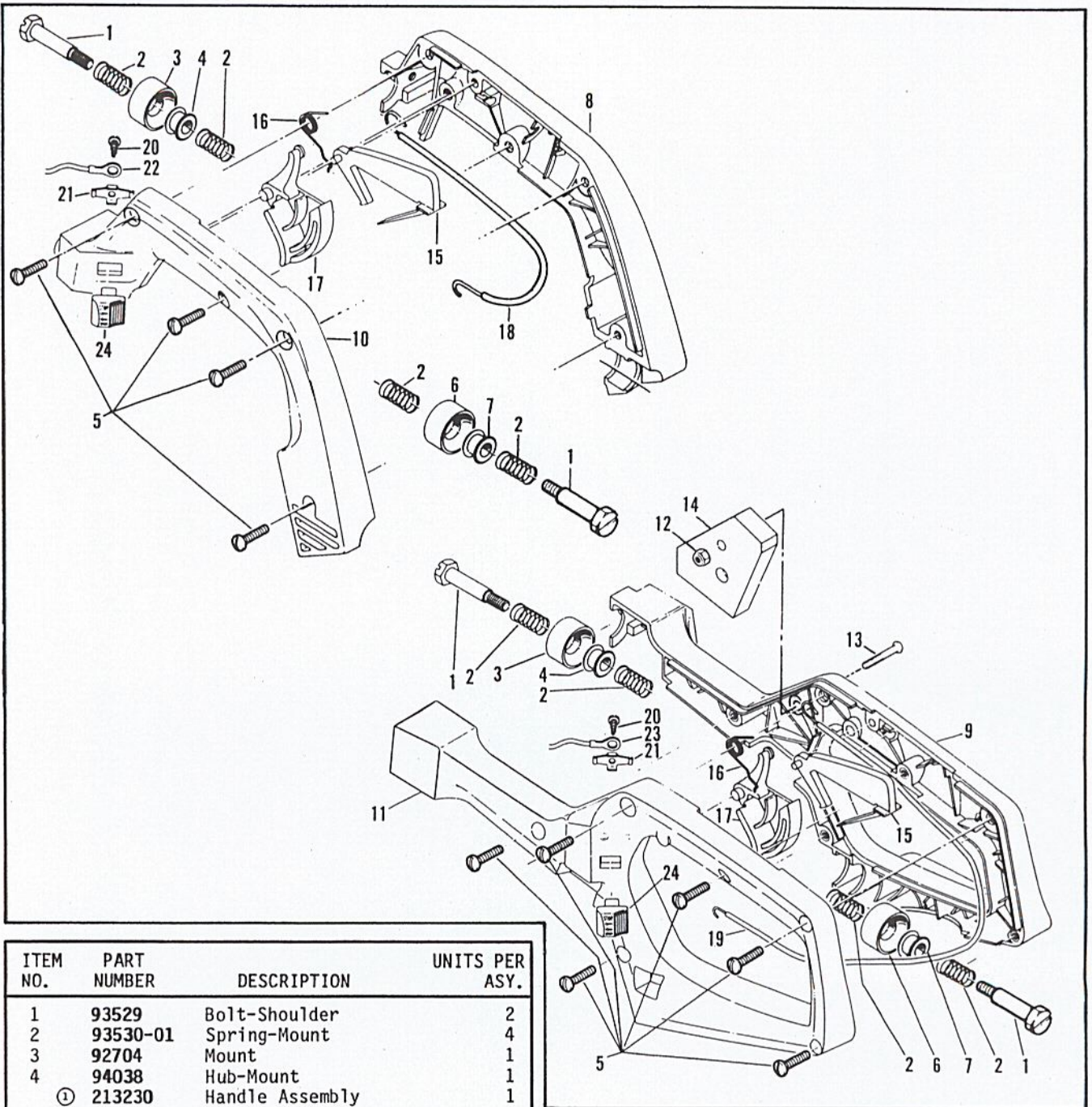
| ITEM NO. | PART NUMBER | DESCRIPTION | UNITS PER ASY. |
|----------|-------------|--|----------------|
| 1 | 93150 | Bail | 1 |
| 2 | 217168 | Connector-Outlet | 1 |
| 3 | ① -- -- | Pump Asy-Oiler (W/Output Adjustment Screw) | 1 |
| | 219990 | Pump Asy-Oiler (Non-Adjustable) | 1 |
| 4 | ② 215196 | . Connector-Hose | 1 |
| 5 | ② 94115 | . Valve-Oiler | 1 |
| 6 | ④ 217765 | . Screw-6-40x.800 | 1 |
| 7 | ② 215151 | . Cap-Oil Pump | 1 |
| 8 | ② 93301 | . Plunger-Oil Pump | 1 |
| 9 | ② 105614 | . "O" Ring-.239x.070 | 1 |
| 10 | ② 93632 | . Spring | 1 |
| 11 | ④ 216425 | . Piston Asy-Oiler | 1 |
| | ③ 219566 | . Piston Asy-Oiler | 1 |
| 12 | -- -- | .. Ring-Oil Pump Piston | 1 |
| 13 | ② 105603 | .. "O" Ring-.114x.070 | 1 |
| 14 | ④ 83891 | . Spring-Return | 1 |
| | ③ 219525 | . Spring-Return | 1 |
| 15 | ② 216423 | . Sleeve-Oil Pump | 1 |
| 16 | ② 216422 | . Eyelet | 1 |
| 17 | 110653 | "O" Ring | 1 |
| 18 | ⑤ 215871 | Nut-Muffler | 2 |
| 19 | ⑤ 215471 | Plate-Lock | 1 |
| 20 | ⑤ 215472 | Deflector-Exhaust | 1 |
| 21 | ⑤ 215774 | Cover | 1 |
| 22 | ⑤ 215776 | Baffle | 1 |
| 23 | ⑤ 216805 | Screen-Spark Arrestor | 1 |
| 24 | ⑤ 215757 | Bolt-Shoulder (65-85 in. lb. torque) | 2 |
| 25 | ⑤ 213369 | Bolt-M6 (70-85 in. lb. torque) | 1 |
| 26 | ⑤ 215773 | Base | 1 |
| 27 | ⑤ 215411 | Kit-Muffler | 1 |
| 28 | ⑤ 110681 | . Screw-Skt. Hd. 10-24x1/4 (40-45 in. lb. torque) | 2 |
| 29 | ⑤ 215394 | . Screw-Special M6 (70-80 in. lb. torque) | 2 |
| 30 | ⑤ 92961 | . Deflector-Exhaust | 1 |
| 31 | ⑤ 214204 | Kit-Spark Arrestor | 1 |
| 32 | ⑤ 101987 | . Screw-6-32x.25 (25 in. lb. torque) | 1 |
| 33 | 216645 | Nut-Flange M8 (200-220 in. lb. torque) | 1 |
| 34 | ⑥ 94737 | Flywheel W/The Letters IGN Molded in Casting | 1 |
| 34A | ⑥ 219211 | Flywheel W/The Letters CDI Molded in Casting | 1 |

| ITEM NO. | PART NUMBER | DESCRIPTION | UNITS PER ASY. |
|----------|-------------|--|----------------|
| 35 | 216984 | . Pin-Pawl | 2 |
| 36 | 216982 | . Spring-Pawl | 2 |
| 37 | 93469 | . Washer | 2 |
| 38 | 216983 | . Pawl-Starter | 2 |
| 39 | 102164 | Key-Flywheel | 1 |
| 40 | 120098 | Screw-M5x18 (40-50 in. lb. torque) | 1 |
| 41 | 93514-01 | Wire Asy-Ground | 1 |
| 42 | 120112 | Screw-M5x40 (70-80 in. lb. torque) | 2 |
| 43 | 216683 | Washer-Special | 2 |
| 44 | ⑥ 216599 | Ignition-Electronic (White in Color) | 1 |
| 44A | ⑥ 219215 | Ignition-CDI (Black Sems) | 1 |
| 45 | 102556 | . Connector-Spark Plug | 1 |
| 46 | 95266 | . Boot-Spark Plug | 1 |
| 47 | 214356 | Spacer | 1 |
| 48 | 215601 | Manifold-Carburetor | 1 |
| 49 | 92778 | Gasket-Manifold | 1 |
| 50 | 120097 | Screw-M5x25 (70-80 in. lb. torque) | 4 |
| 51 | ⑦ 215943 | Kit-Cylinder/Crankcase | 1 |
| 52 | 213166 | . Screw-M6x16 (90-100 in. lb. torque) | 4 |
| 53 | 105043 | . Washer-Lock | 4 |
| 54 | 102523 | . Washer-1/4 Plain | 4 |
| 55 | 214350 | . Insulator | 2 |
| 56 | ⑧ 215762 | . Cylinder Asy | 1 |
| 57 | 92777 | .. Bolt-Bar | 1 |
| 58 | 94660 | Piston Asy | 1 |
| 59 | 94136 | . Ring Set-Piston | 1 |
| 60 | 92836 | . Pin-Piston | 1 |
| 61 | 111026 | . Ring-Snap | 2 |
| 62 | 94135 | Connecting Rod Asy | 1 |
| 63 | 94654 | . Screw-Connecting Rod (35-40 in. lb. torque) | 2 |
| 64 | 110984 | . Bearing-Needle | 1 |
| 65 | 68095 | . Bearing-Needle (set of 20) | 1 |
| 66 | 92750 | Crankshaft | 1 |
| 67 | 213282 | Bearing-Crankshaft | 1 |
| 68 | 83859 | Seal-Crankshaft | 2 |
| 69 | 62345 | Spark Plug-AC-CS45T | 1 |
| | 93018 | Spark Plug-Champion RDJB (120 in. lb. torque) | 1 |

- ① The adjustable output oil pump is no longer available. Should replacement become necessary, order part number 219990.
- ② Components are interchangeable with both pumps.
- ③ For use on part number 219990 pump only.
- ④ For use on adjustable pressure pump only.
- ⑤ Before ordering replacement parts, identify by sight, which muffler was used on your unit.
- ⑥ Before ordering replacement parts, be sure to identify which Ignition and Flywheel you have. Only items 34 and 44 or items 34A and 44A may be used together.
- ⑦ For use as service replacement for Cylinders with threaded inserts for Top and Bottom Shroud mounting.
- ⑧ For use as service replacement for Cylinders currently manufactured without threaded inserts for Top and Bottom Shroud mounting.

Figure 5

HANDLE ASSEMBLIES



| ITEM NO. | PART NUMBER | DESCRIPTION | UNITS PER ASY. |
|----------|-------------|--------------------------|----------------|
| 1 | 93529 | Bolt-Shoulder | 2 |
| 2 | 93530-01 | Spring-Mount | 4 |
| 3 | 92704 | Mount | 1 |
| 4 | 94038 | Hub-Mount | 1 |
| | ① 213230 | Handle Assembly | 1 |
| | ② 213231 | Handle Assembly | 1 |
| | ③ 213235 | Handle Assembly weighted | 1 |
| 5 | 111032 | . Screw-Ph Hd 10-16x.625 | *6 |
| 6 | 92704 | . Mount | 1 |
| 7 | 94038 | . Hub-Mount | 1 |
| 8 | ① 213229 | . Handle-Right Half | 1 |
| 9 | ②③ 213224 | . Handle-Long Right | 1 |
| 10 | ① 213228 | . Handle-Left Half | 1 |
| 11 | ②③ 213226 | . Handle-Long Left | 1 |
| 12 | ③ 216649 | . Nut-Hx Lock 10-24 | 1 |
| 13 | ③ 216632 | . Screw-Pan Hd 10-24x1 | 1 |
| 14 | ③ 95042 | . Weight-Handle | 1 |
| 15 | 93310 | . Trigger-Safety | 1 |
| 16 | 93515 | . Spring-Trigger | 1 |

| ITEM NO. | PART NUMBER | DESCRIPTION | UNITS PER ASY. |
|----------|-------------|------------------------------|----------------|
| 17 | 213232 | . Trigger-Throttle | 1 |
| 18 | ① 213234 | . Wire Asy-Throttle | 1 |
| 19 | ② 213233 | . Wire Asy-Throttle | 1 |
| 20 | 110706 | . Screw-Pan Hd 8-18x.50 | 1 |
| 21 | 62451 | . Contact-Ignition Switch | 1 |
| 22 | 93505-01 | . Wire-Switch (310/320/E.B.) | 1 |
| 23 | 94039 | . Wire-Stop Switch(330/340) | 1 |
| 24 | 68846 | . Button-Stop Switch | 1 |

① Used on PM 310 and PM 320 models, as well as Eager Beaver™ 2.1.

② Used on PM 330 models.

③ Used on PM 330 models with suffix number 10.

* Four used on Handle Assembly, P/N 213230. Six used on Handle Assemblies, P/N 213231 and P/N 213235.

BAR & CHAIN COMBINATIONS

Figure 6

| Bar Number | Bar Description | Chain Number | Chain Description | File Plate Number | Round File Size | Part Number |
|------------|-----------------|--------------|-------------------|-------------------|-----------------|-------------------------|
| 214235 | 14" Mini Pro | 214919-12 | MP370GLX 49CL | 219131 | 5/32" | 214217 * 62648-23 ** |
| 214236 | 16" Mini Pro | 214925-12 | MP370GLX 54CL | 219131 | 5/32" | 214217 * 62648-23 ** |

* TWIN PACK ** DOZEN PACK

NOTE:

The .250 pitch Bars and Chains as used on models with suffix number 10 are no longer available. You **MUST** order the Bar and Chain combinations as shown above as well as Drum/Sprocket/Bearing Assembly, P/N 215252.

TOOLS / ACCESSORIES / LUBRICANTS

Figure 7

| | | | |
|--------|---|--------|--------------------------------|
| 93797 | Wrench - Screwdriver | 110083 | R.T.V. Sealant - Tube |
| 216063 | Key-Socket 5/32" | 94364 | Kit - Carrying Case (16") |
| 214194 | Lubri - Gun | 214202 | . Scabbard (16") |
| 91226 | Tool - Flywheel Holder | | 40:1 2-Cycle Custom Lubricant: |
| 110706 | Tool - Handle/Throttle Trigger Screw | 93770 | 6 Oz. Can (Case of 48) |
| 94415 | Adaptor - Pressure Test Intake (Cyl) | 85707 | 16 Oz. Can (Case of 24) |
| 94416 | Adaptor - Pressure Test Intake (Airbox) | 85709 | 1 Qt. Bottle (Case of 12) |
| 68917 | Plate - Block - Off Exhaust | | Bar and Chain Oil: |
| 85229 | Kit - Pressure Test | 87885 | 1 Qt. Bottle (Case of 12) |
| 215432 | Gauge/Bulb - Pressure Test | 94818 | 1 Gal. Bottle (Case of 6) |
| 63094 | Driver - Piston Pin | | |
| 67537 | Loctite - 10cc Bottle | | |
| 69794 | Locquic - 6oz. | | |

SPECIFICATIONS

Figure 8

| | |
|-----------------------------------|---|
| Cylinder | Aluminum with Chrome Bore |
| Displacement | 2.1 Cu. In. (35cc) |
| Bore And Stroke | 1.5 In. (38mm) x 1.2 In. (30.5mm) |
| Piston Rings | 2 Cast Iron Compression |
| Main Bearings | Needle |
| Fuel Capacity | 11.2 Oz. (330cc) |
| Fuel Type | Regular Grade Leaded or Unleaded |
| Fuel/Oil Mixture | 40:1 Using McCulloch 2-Cycle Custom Lubricant |
| Idle Speed | 2700 to 2900 R.P.M. |
| Clutch Engagement Speed | 3800 R.P.M. |
| Ignition | Electronic |
| Carburetor | Diaphragm Type with 2-needle Adjustment |
| Fuel Filtering | Enclosed Felt |
| Air Filter | Felt |
| Lamination Gap | .011 (0.3mm) to .015 (0.4mm) |
| Weight(Power Unit Only): | |
| PM 310 and Eager Beaver™2.1 | 9.9 Lbs. |
| PM 320 | 10 Lbs. |
| PM 330 | 10.4 Lbs. |