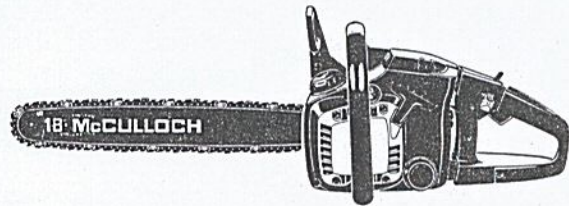
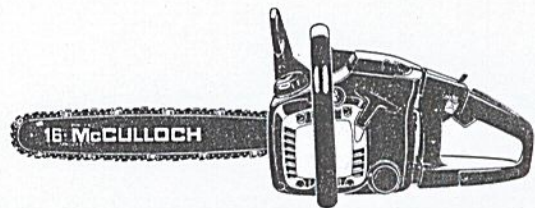
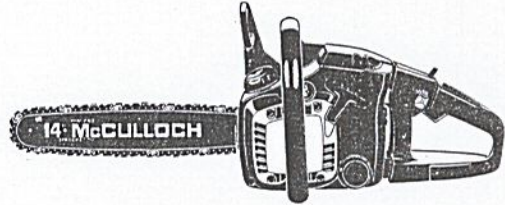


# ILLUSTRATED PARTS LIST

MODEL NAMES	SERIAL NUMBER PREFIX	MODEL	ENGINE SIZE
EAGER BEAVER 2116	11-	600035-08	35cc
EAGER BEAVER 2116	11-	600035-14	35cc
EAGER BEAVER 2316	11-	600038-10	38cc
EAGER BEAVER 2318 SUPER	11-	600038-12	38cc
MAC 3516	11-	600035-10	35cc
MAC 3516	11-	600035-12	35cc
MAC 3516	11-	600035-17	35cc
MAC 3516	11-	600035-18	35cc
MAC 3818	11-	600038-08	38cc
MAC 3818	11-	600038-18	38cc
PRO MAC 3205	11-	600032-10	32cc
PRO MAC 3505	11-	600035-04	35cc
PRO MAC 3505	11-	600035-16	35cc
PRO MAC 3805	11-	600038-04	38cc
SILVER EAGLE 2116	11-	600035-02	35cc
SILVER EAGLE 2318	11-	600038-02	38cc
MACCAT SUPER 16	11-	600038-14	38cc
MACCAT SUPER 18	11-	600038-16	38cc
MACCAT SUPER 18	11-	600038-19	38cc
MACCAT SUPER 18	11-	600038-20	38cc
MACCAT SUPER 18	11-	600038-21	38cc

## 32cc, 35cc and 38cc GASOLINE-POWERED AV CHAIN SAWS



McCulloch products are identified by a model number (in this instance 600032) followed by a suffix number (09). Suffix numbers denote variations in parts or assemblies used in the manufacture of this product. Illustrated Parts Lists (IPLs) contain a PART NUMBER, DESCRIPTION, UNITS per assembly and STOCKING CODE for each part.

**Stocking Codes are:**

- A - Dealer stocked. Fast to medium moving part.
- B - Distributor stocked. Medium to slow moving part.
- C - Factory stocked. Slow moving part.
- T - Indicates a McCulloch service tool.

**NOTE:** The following explains symbols/footnotes in this IPL:

- (-) A dash preceding a PART NUMBER indicates that it is a new part number, different from the one listed in the previous IPL for this unit.
- (.) One or more dots (. Spring, Starter) preceding a part DESCRIPTION indicates the part is included in the kit or assembly described directly above the dot(s).
- (-- --) If four dashes appear in place of a PART NUMBER, the part is not available individually but is included in the next higher assembly or subassembly.
- Ⓞ Ⓞ Circled numbers preceding a DESCRIPTION footnote the part or assembly to additional information on the page.
- (\*) An asterisk draws attention to general information.

The policy of McCulloch Corporation is one of continual improvement in design, manufacturing and engineering advancement wherever possible to assure still finer power tools. Hence, specifications, equipment colors, design and manufacturer's suggested list prices are subject to change without notice. McCulloch Corporation reserves the right to make such changes without prior notification or obligation to backfit or supply backfit components for units previously shipped from the factory.

MAY 1993

### CONTENTS

	PAGE
FIGURE 1 General Assembly . . . . .	2
FIGURE 2 Powerhead Assembly . . . . .	4
FIGURE 3 Chain Brake Assembly . . . . .	6
FIGURE 4 Carburetor Assembly . . . . .	7
Specifications . . . . .	5

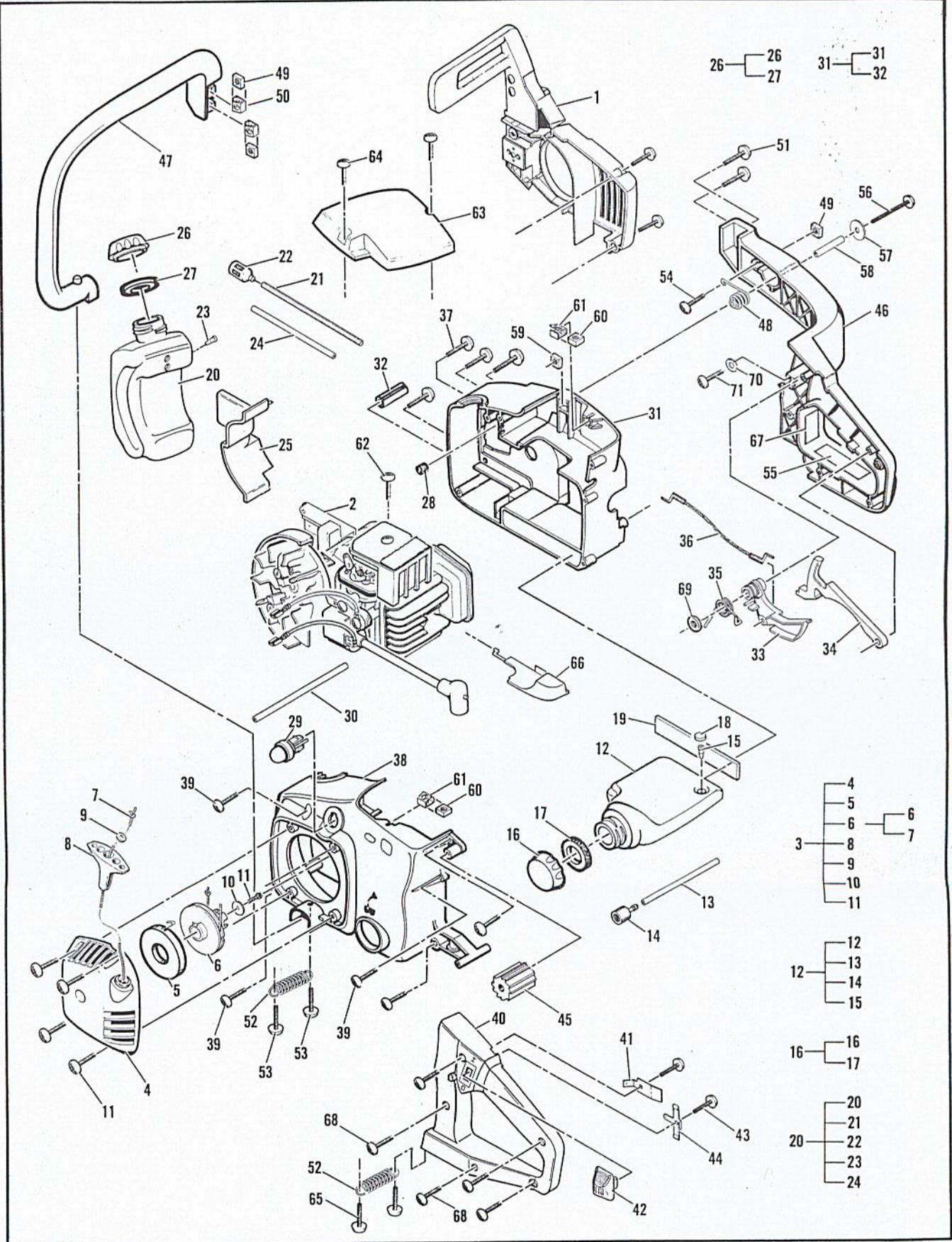
# McCULLOCH®

P.O. Box 11990 • Tucson, Arizona 85734



**FIGURE 1**

**GENERAL ASSEMBLY**





# GENERAL ASSEMBLY

# FIGURE 1

ITEM NO.	STK CODE	PART NUMBER	DESCRIPTION	UNITS PER ASY.
1		FIGURE 3	Chain Brake Asy	
2		FIGURE 2	Powerhead Asy.	
3	C	300264	Starter Housing Asy.	1
4	C	301044	. Housing/Rope Guide Asy.	1
5	A	300475	. Spring Asy., Starter	1
6	B	301043	. Rope/Drum Asy.	1
7	B	300300	. Rope, Starter 50"	1
8	A	87851	. Handle, Starter	1
9	B	223944	. Bushing, Starter	1
10	C	300297	. Washer, .19 ID x .68 OD	1
11	A	300294	. Screw, 8-16 x .75 TR HD Plastite	5
12	C	300260	Oil Tank Asy.	1
13	A	300289	. Hose, Oil Pick-up	1
14	B	225062	. Pick-up, Oil	1
15	A	300256	. Valve, Duckbill	1
16	B	300268	Oil Cap Asy.	1
17	B	300269	. Gasket, Oil Cap	1
18	C	300259	Filter, Foam	1
19	C	322195	Spacer, Oil Tank	1
20	B	300258	Fuel Tank Asy.	1
21	A	300289	. Hose, Fuel Pick-up	1
22	A	216985	. Pick-up, Fuel	1
23	B	322199	. Valve, Duckbill	1
24	A	300290	. Hose, Primer Return	1
25	C	322191	Shield, Fuel Tank	1
26	B	300266	Fuel Cap Asy.	1
27	B	300267	. Gasket, Fuel Cap	1
28	C	300259	Filter, Foam	1
29	A	224242-01	Primer, Remote	1
30	B	300298	Hose, Primer	1
31	C	301056	Housing/Pin Asy, Right	1
32	C	111098	. Pin, Roll 1/4 x 1.0 L	1
33	C	224821	Trigger, Throttle	1
34	C	224822	Latch, Throttle	1
35	C	224823	Spring, Torsional	1
36	C	322170	Cable, Throttle	1
37	C	219881	Screw, 10-24 x .62 TR HD TX	4

ITEM NO.	STK CODE	PART NUMBER	DESCRIPTION	UNITS PER ASY.
38	C	322161	Housing, Left Engine	1
39	A	300294	Screw, 8-16 x .75 TR HD, Plastite	5
40	C	322164	Handle, Left-Rear	1
41	C	322178	Contact, Ground Stud	1
42	A	68846	Button, Stop Switch	1
43	B	223357	Screw, 8-16 Plastite	2
44	B	224844	Contact, Ignition	1
45	C	322193	Isolator, Rubber	1
46	C	322163	Handle, Right Rear	1
47	C	322162	Handle, Front	1
48	C	322165	Spring, Exten 1.6	1
49	A	218005	Nut, Square 10-24	3
50	C	300292	Retainer, Nut	2
51	C	219881	Screw, 10-24 x .62 TR HD TX	2
52	C	322166	Spring, Exten. .6	2
53	A	300294	Screw, 8-16 x .75 TR HD Plastite	2
54	A	217935	Screw, 10-24 x .50 TR TX	1
55	B	322503	Label, Starting Instruction	1
56	B	218083	Screw, 10-24 x 2.0 TR TOR	1
57	C	322176	Washer, .2 x 7/8 in.	1
58	C	322175	Spacer	1
59	A	216682	Nut, Hx Lock 10-24	1
60	A	218005	Nut, Square 10-24	2
61	C	300292	Retainer, Nut	2
62	A	217936	Screw, 10-24 x .75 TR HD TX	1
63	C	224830	Cover, Air Filter	1
64	C	111099	Screw, 10-24 x .625 PN HD TX	2
65	A	300294	Screw, 8-16 x .75 TR HD Plastite	2
66	A	224826	Rod, Choke	1
67	B	46703-70	ⓧⓧ Label, ANSI	1
	B	46703-71	ⓧ Label, ANSI	1
68	A	300294	Screw, 8-16 x .75 TR HD Plastite	5
69	B	111128	*O* Ring	1
70	C	300297	Washer, .19 x .68 O.D.	1
71	A	300294	Screw, 8-16 x .75 TR HD Plastite	1

- ⓧ Used on all 32cc saws
- ⓧ Used on all 35cc saws
- ⓧ Used on all 38cc saws

## BAR AND CHAIN INFORMATION

MODEL	BAR	CHAIN	FILE PLATE	FILE
PRO MAC 3205 PRO MAC 3505	214235-01	MP370GLX49CL 214919-12	219131	214217
EAGER BEAVER 2116 EAGER BEAVER 2316 MAC 3516 SILVER EAGLE 2116 MAC CAT SUPER 16	214236-01	MP370GLX54CL 214925-12	219131	214217
EAGER BEAVER 2318 SUPER MAC 3818 MAC 3818-K PRO MAC 3805 SILVER EAGLE 2318 MACCAT SUPER 18	219276-01	MP370GLX60CL 219725-12	219131	214217

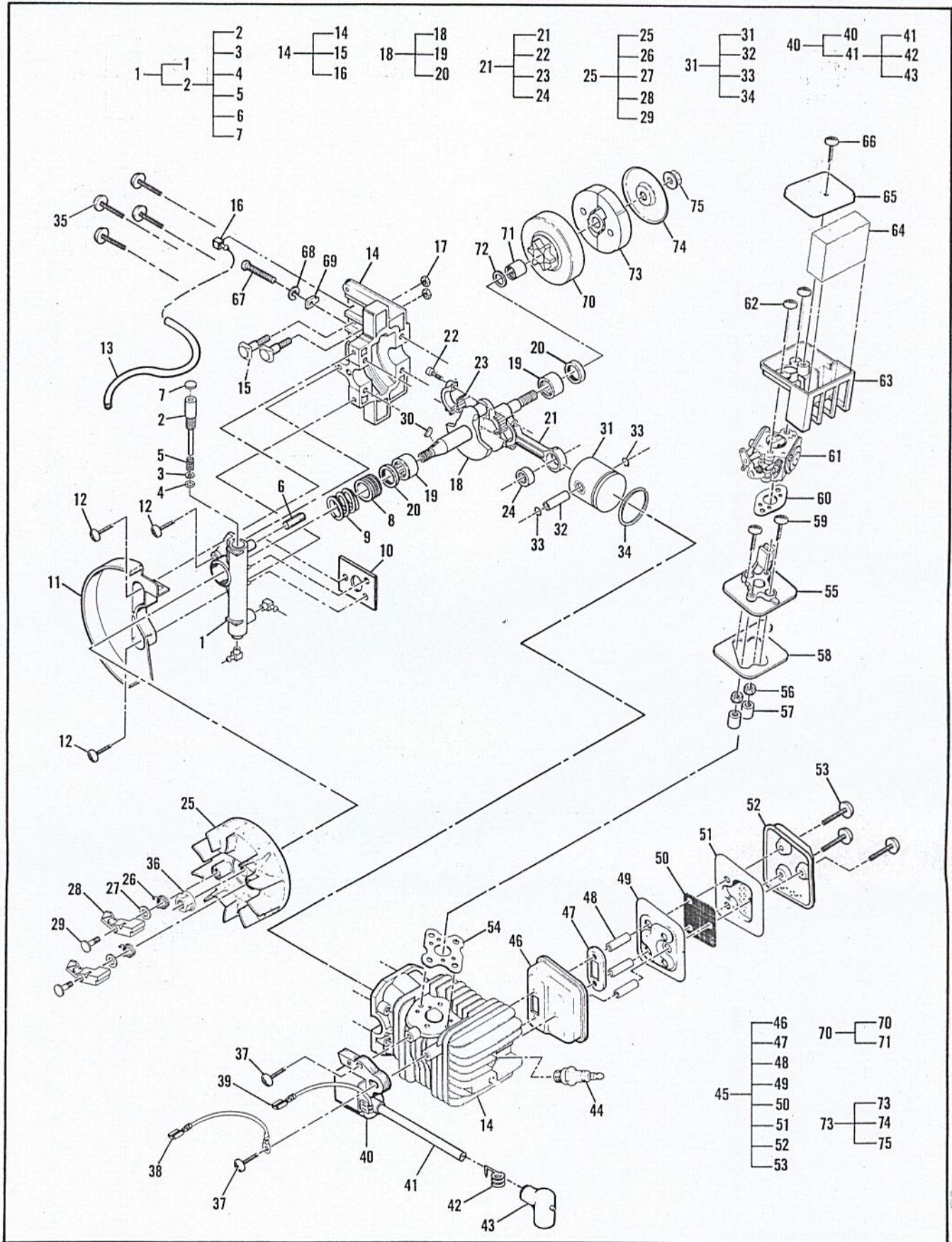
## TORQUE SPECIFICATIONS

SPARK PLUG	150 IN.LBS.
FLYWHEEL NUT	180 IN.LBS.
CLUTCH NUT	180 IN.LBS.
MUFFLER SCREWS	50 IN.LBS.
CARBURETOR SCREWS	30-40 IN.LBS.



# FIGURE 2

# POWERHEAD ASSEMBLY





# POWERHEAD ASSEMBLY

# FIGURE 2

ITEM NO.	STK CODE	PART NUMBER	DESCRIPTION	UNITS PER ASY.
1	B	244815	Oil Pump Asy.	1
2	B	301084	. Kit, Gear/Plunger Asy.	1
3		110582	.. Washer	1
4	---	---	.. "O" Ring	1
5	---	---	.. Spring	1
6	---	---	..Pin, Dowel	1
7	C	322187	..Plug, Oil Pump	1
8	C	224814	Worm Gear	1
9	C	224840	Spring, Comp .105	1
10	C	300295	Seal, Foam, Oil Pump	1
11	C	224816	Shroud, Air	1
12	C	219881	Screw, 10-24 x .62 TR HD TX	3
13	B	300288	Connecting Hose	1
14	C	301048	① Cyl/C'case/Bar Bolt Asy. 32cc	1
	C	301051	② Cyl/C'case/Bar Bolt Asy. 35cc	1
	C	301055	③ Cyl/C'case/Bar Bolt Asy. 38cc	1
15	A	83856	. Bolt, Bar	2
16	C	300257	. Fitting	1
17	A	110676	Nut, Hx 1/4-28 FLNG	2
18	C	300254	Crankshaft/Bearing Asy.	1
19	A	213282	. Bearing	2
20	A	83859	. Seal	2
21	B	94135	Connecting Rod/Bearing Asy.	1
22	B	94654	. Screw	2
23	B	68095	. Set, Needle Roller	1
24	A	110984	. Bearing, Needle	1
25	B	222778	Flywheel/Pawl Asy.	1
26	B	216982	. Spring, Starter Pawl	2
27	B	93469	. Washer, Starter Pawl	2
28	A	216983	. Pawl, Starter	2
29	B	216984	. Pin, Starter Pawl	2
30	A	102164	Key, Flywheel	1
31	C	301046	① Kit, Piston 32cc	1
	B	301052	② Kit, Piston 35cc	1
	B	301054	③ Kit, Piston 38cc	1
32	C	92836	. Pin, Piston	1
33	A	111026	. Ring, Snap	2
34	C	301047	① . Piston Ring 32cc	1
	B	301050	② . Piston Ring 35cc	1
	B	301053	③ . Piston Ring 38cc	1
35	C	111083	Screw, 12-24 x 1.0 HxWshrHd	4

ITEM NO.	STK CODE	PART NUMBER	DESCRIPTION	UNITS PER ASY.
36	B	110961	Nut, Hx 5/16-24	1
37	A	217936	Screw, TR 10-24 x .75 TOR	2
38	C	300555	Wire Asy., Ground	1
39	C	300556	Wire Asy., Stop switch	1
40	A	219848-01	Ignition Asy.	1
41	A	223884	. Kit, Plug Wire	1
42	B	102556	.. Connector	1
43	B	95266	.. Boot	1
44	A	322189	Spark Plug DJ7Y	1
45	C	301045	Pkg, Muffler Asy.	1
46	C	300280	. Body	1
47	C	300281	. Plate Reinforcing	1
48	C	300284	. Spacer, Muffler	1
49	C	300282	. Baffle, Inner	1
50	C	300286	. Screen, Spark Arrester	3
51	C	300283	. Baffle, Outer	1
52	C	300285	. Cover, Muffler	1
53	C	111093	. Screw, 10-24 x 1.75 TR HD TX	3
54	C	300265	Gasket, Insulator	1
55	C	224820	Insulator, Carburetor	1
56	C	105367	Nut, Hx 10-24	2
57	C	322188	Spacer, Rubber	2
58	C	224850	Seal, Foam	1
59	A	217937	Screw, TR 10-24 x 1.00 T	2
60	C	300293	Gasket, Carburetor	1
61		FIGURE 5	CARBURETOR/CHOKE ASY	1
62	B	218083	Screw, TR 10-24 x 2.0 TOR (30-40 in. lbs. torque)	2
63	C	224824	Box, Air Filter	1
64	C	224831	Filter, Air	1
65	C	224825	Shield, Carburetor	1
66	A	111055	Screw, 10-14 x .625 Plastite	1
67	A	223088	Screw, Adjusting	1
68	A	110907	Ring, Retaining	1
69	A	68656	Nut, Bar Adjusting	1
70	B	95646	Drum/Sprocket/Bearing Asy.	1
71	A	91117	. Bearing	1
72	B	215259	Washer, Sprocket	1
73	A	213278	Kit, Clutch Asy.	1
74	C	300276	. Plate, Dust	1
75	C	111079	. Nut, Clutch, 5/16-24 LH	1

- ① Used on all 32cc saws
- ② Used on all 35cc saws
- ③ Used on all 38cc saws

## LOCTITE KIT

PART NUMBER	DESCRIPTION
322235	LOCTITE KIT
322236	. RETAINING COMPOUND 620 (10 ml)
322237	. THREAD LOCKER 242 (10 ml)
322238	. GASKET ELIMINATOR 518 (50ml)
322239	. BLACK MAX ADHESIVE 380 (1 oz)

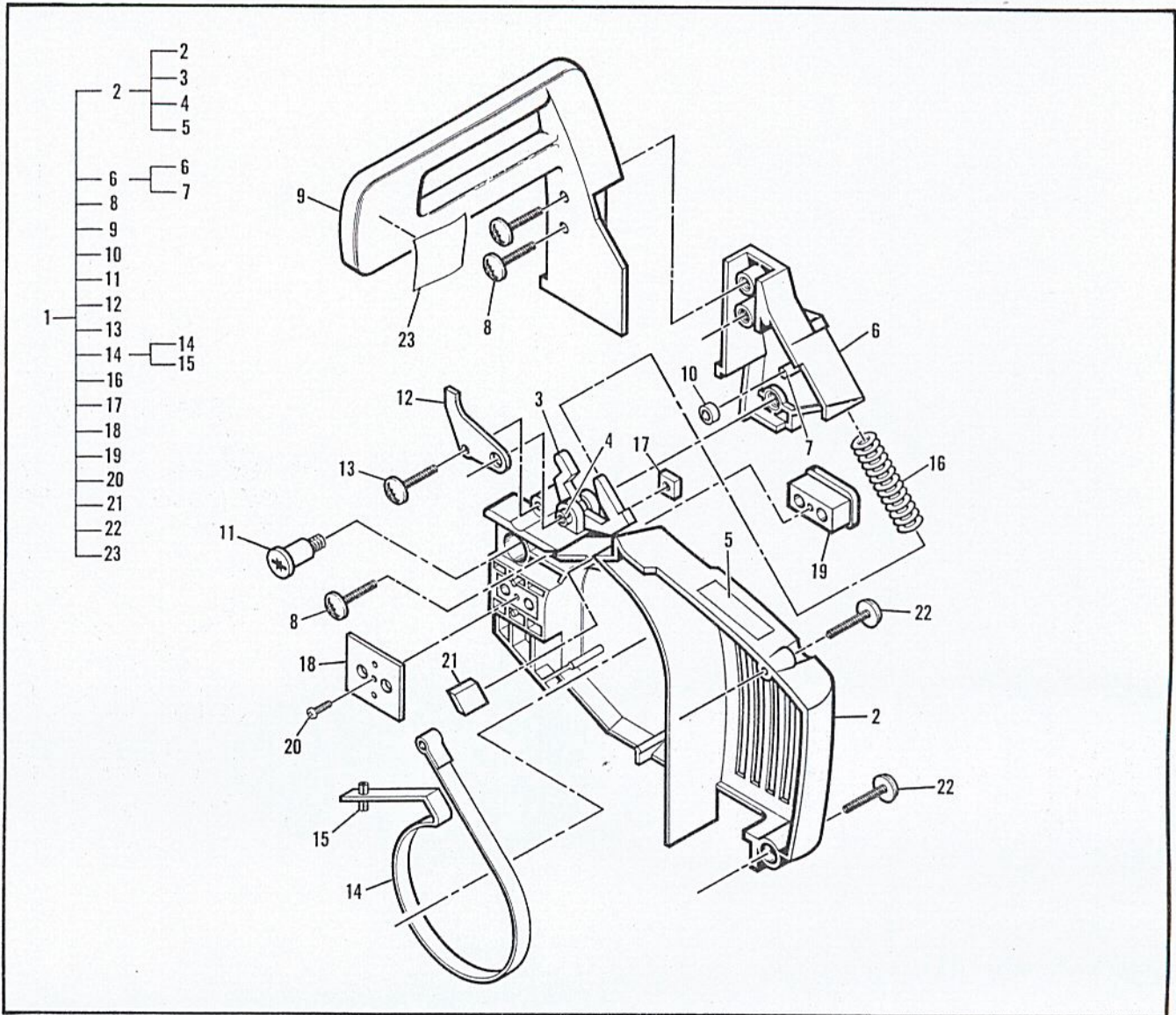
## SPECIFICATIONS

DISPLACEMENT	CARBURETOR TYPE	SPARK PLUG GAP	FLYWHEEL IGNITION GAP	MAX POWER SPEED	IDLE SPEED	CLUTCH ENGAGEMENT SPEED	MAX NO LOAD SPEED	FUEL TANK CAPACITY	OIL TANK CAPACITY
32cc	M28 (Zama)	.025"	.010- .015"	8000	2800-3300	3800-4000	11,000	10 fl. oz.	6.1 fl. oz.
35cc	M28 (Zama)	.025"	.010- .015"	8000	2800-3300	3800-4000	11,000	10 fl. oz.	6.1 fl. oz.
38cc	M33 (Zama)	.02"	.010- .015"	8000	2800-3300	3800-4000	11,000	10 fl. oz.	6.1 fl. oz.



# FIGURE 3

# CHAIN BRAKE ASSEMBLY



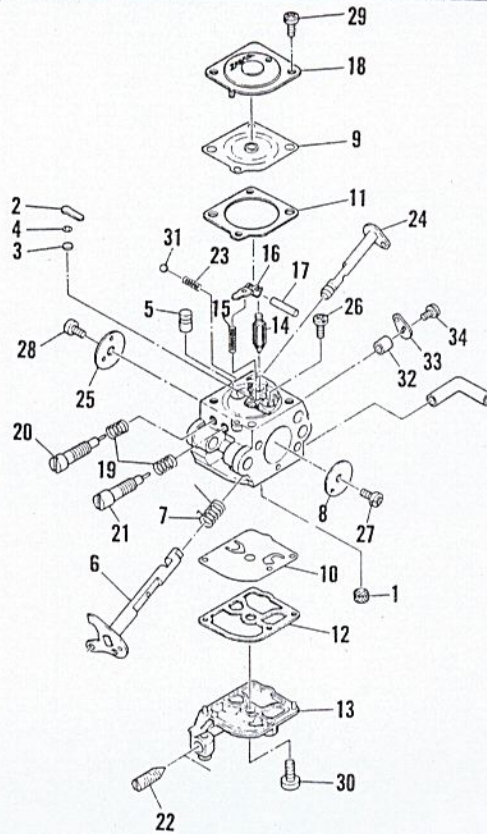
ITEM NO.	STK CODE	PART NUMBER	DESCRIPTION	UNITS PER ASY.
1	C	300273	Brake Housing Asy.	1
2	C	301036	. Housing Asy., Brake	1
3	C	216755	.. Latch, Chain Brake	1
4	--	--	.. Dowel, Spring	1
5	C	46703-77	.. Label, Spark Arrester	1
6	C	301038	.. Lever, Actuating	1
7	--	--	.. Pin, Dowel	1
8	C	219881	.. Screw, 10-24 x .62 TR HD TX	3
9	B	224834	.. Guard, Hand	1
10	C	224849	.. Roller	1
11	C	224847	.. Screw, Shoulder	1
12	C	224848	.. Stop, Brake	1

ITEM NO.	STK CODE	PART NUMBER	DESCRIPTION	UNITS PER ASY.
13	A	300294	.. Screw, 8-16 x .75 TR HD Plastite	1
14	C	301037	.. Band, Brake	1
15	--	--	.. Pin, Spring (.125 x .50 L)	1
16	B	215721	.. Spring, Compression	1
17	A	218005	.. Nut, Square 10-24	1
18	C	300275	.. Shield	1
19	C	300271	.. Spacer, Bar Pad	1
20	C	111101	.. Screw, 4-40 x 5/16 Tapitite	1
21	C	322194	.. Seal, Foam	1
22	A	300299	.. Screw, 8-16 x 1.0 TR HD Plastite	2
23	C	46703-41	.. Label, Safety	1



# CARBURETOR ASSEMBLY

## FIGURE 4



ITEM NO.	STK. CODE	PART NUMBER	DESCRIPTION	UNITS PER ASY.
		322172-01	① Carburetor, Zama M28	
		322202-01	② Carburetor, Zama M33	
1			③ Strainer	1
2			③ Plug, Welch	1
3			Valve, Check	1
4			Retainer, Check Valve	1
5			Nozzle Assembly, Check Valve	1
6			Shaft Assembly, Throttle	1
7			Spring, Throttle Return	1
8			Valve, Throttle	1
9			③④ Diaphragm Assembly, Metering	1
10			③④ Diaphragm, Pump	1
11			③④ Gasket, Metering Chamber	1
12			③④ Gasket, Pump	1
13			Cover, Pump	1
14			Valve, Inlet Needle	1
15			Spring, Metering Lever	1
16			Lever, Metering	1

ITEM NO.	STK. CODE	PART NUMBER	DESCRIPTION	UNITS PER ASY.
17			③ Pin	1
18			Cover, Metering Chamber	1
19			Spring, Adjust Screw	1
20			Screw, Main Mixture	1
21			Screw, Idle Mixture	1
22			Screw, Throttle Adjust	1
23			Spring, Friction	1
24			Shaft Assembly, Choke	1
25			Valve, Choke	1
26			Screw, Pin	1
27			Screw, Throttle Valve	1
28			Screw, Choke Valve	1
29			Screw, Metering Chamber	2
30			Screw, Pump Cover	1
31			Ball, Steel	1
32			Collar	1
33			Lever, Throttle	1
34			Screw, Throttle Lever	1

**NOTE:** Items are shown for identification and disassembly sequence purposes only. Components are not available separately unless a part number is listed before the part description.

**NOTE:** Zama repair kits may contain additional components not relative to this unit. Always identify the part being replaced before installation. Discard any additional parts not shown above.

- ① Used on 32cc and 35cc saws
- ② Used on 38cc saws
- ③ 301041 Kit, Carburetor Repair RB-39
- ④ 301042 Kit, Gasket/Diaphragm GND-35