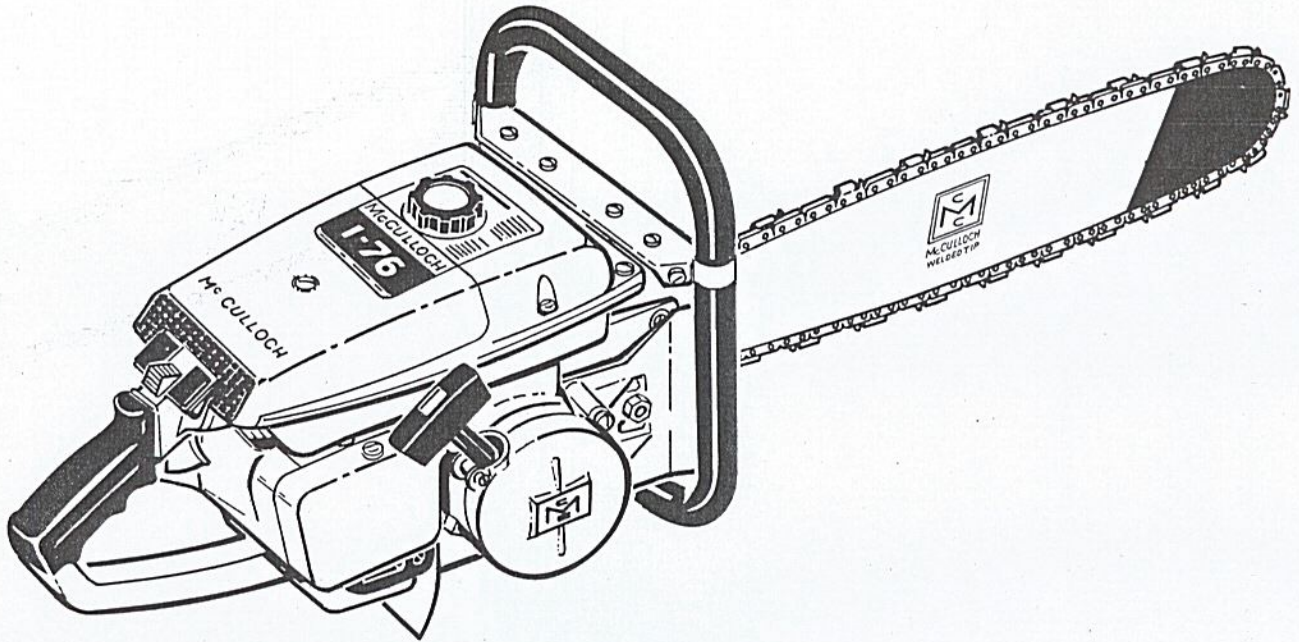


ILLUSTRATED PARTS LIST

JUNE 1962



The following pages contain an illustrated parts list for the Model 1-76 Chain Saw. Due to small differences between saws, it is important that the Serial Number of your saw be included whenever spare parts are ordered. This will assure receiving the proper parts from your dealer.

	Page
Figure 1. Engine Exploded View - General	2
Figure 2. Fuel System Components	4
Figure 3. Starter and Clutch Assembly	6
Figure 4. Chain Oiler, Bar and Chain	8
Figure 5. Powerhead Assembly	10
Figure 6. Carburetor Assembly	12
Figure 7. Handle and Control Assembly	14



McCULLOCH CORPORATION
6101 West Century Boulevard,
Los Angeles 45, California

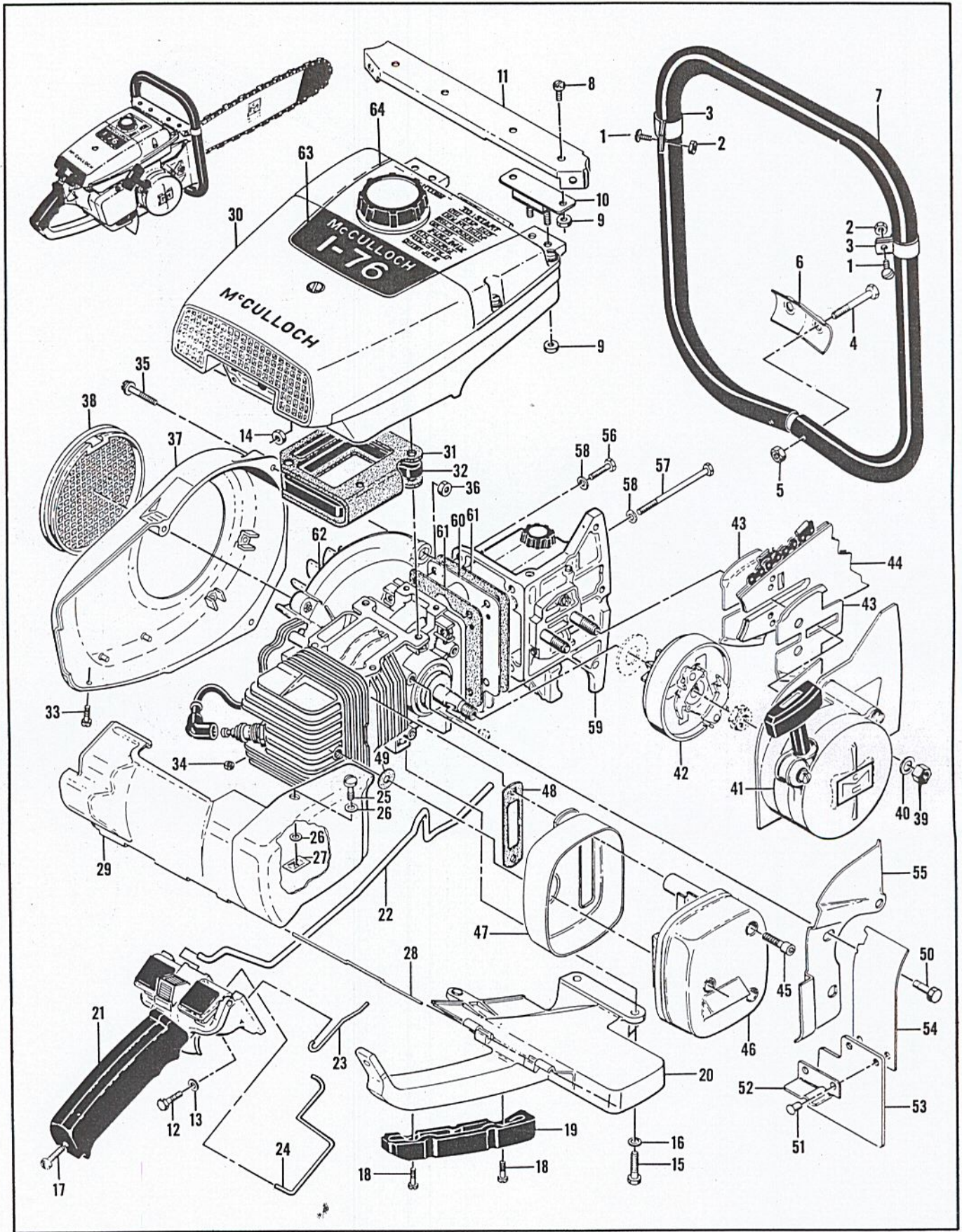


Figure 1. Engine Exploded View - General

FIGURE 1. ENGINE EXPLODED VIEW—GENERAL

Index No.	Part Number	Nomenclature	Units Per Assy
1	102763	Screw - Pan hd 10-24 x 3/4 in. lg.	2
2	100239	Nut - Hex 10-24	2
3	104899	Clamp	2
4	102125	Screw - Hex hd 1/4-20 x 1-3/4 in. lg.	2
5	101143	Nut - Hex 1/4-20	2
6	51362	Clamp - Frame	1
7	53468	Frame and Grip Assy	1
8	104393	Screw - Pan hd 10-24 x 3/8 in. lg.	4
9	101191	Nut - Hex 10-24	8
10	55606B	Mount - Shock	2
11	55637	Brace - Frame	1
12	102761	Screw - Hex hd 10-24 x 7/8 in. lg.	2
13	102189	Washer	2
14	102067	Nut - Hex 10-24	2
15	102121	Screw - Hex hd 1/4-20 x 7/8 in. lg.	2
16	100005	Washer	2
17	102500	Screw - Pan hd 10-24 x 1/2 in. lg.	1
18	104483	Screw - Bind hd 10-24 x 5/8 in. lg.	2
19	55941	Insert - Handle	1
20	57872	Brace - Handle	1
21		Handle and Control Assy (See figure 7)	1
22	57719	Pushrod - Oiler	1
23	53583A	Pushrod - Primer	1
24	53590	Pushrod - Throttle	1
25	51351	Screw - Special	1
26	100005	Washer - Plain 1/4 in.	2
27	103741	Speednut	1
28	55885	Pin - Shroud	1
29	55419A	Shroud Assy - Cylinder and muffler	1
30		Fuel System Components (See figure 2)	1
31	53768	Gasket - Fuel tank and insulator	1
32	53684	Insulator	1
33	104397	Screw - Pan hd 10-24 x 7/8 in. lg.	1
34	102067	Nut - Hex 10-24	1
35	104816	Screw - 10-24 x 1-1/4 in. lg. (SEMS)	3
36	101191	Nut - Hex 10-24	2
37	57733	Housing - Fan	1
38	55615	Guard - Flywheel	1
39	103729	Nut - Hex 3/8-24	2
40	100006	Washer - 3/8 in.	2
41		Starter Assy - (See figure 3)	1
42		Clutch, Drum and Bearing Assy (See figure 3)	1
43	51632B	Plate - Protector	2
44		Bar and Chain Assy (See figure 4)	1
	53476	Muffler Assy	1
45	104895	. Screw - Socket hd 10-24 x 5/8 in. lg.	3
46	53479	. Top Assy - Muffler	1
47	53478	. Bottom Assy - Muffler	1
48	53652	Gasket - Muffler	1
49	53651	Washer - Insulating	1
50	104133	Screw - 1/4-20 x 5/8 in. lg. (SEMS)	3
	51991A	Guard Assembly - Muffler	1
51	103819	. Rivet - 3/16 dia. x 5/16 in. lg.	2
52	55113	. Angle	1
53	55112	. Deflector	1
54	51990A	. Shield - Muffler	1
55	55255	Jacket - Cylinder	1
56	103258	Screw - Hex hd 1/4-20 x 1-1/8 in. lg.	2
57	102127	Screw - Hex hd 1/4-20 x 3-1/4 in. lg.	2
58	100005	Washer	4
59		Oiler Housing Assy (See figure 4)	1
60	53399	Bottom - Crankcase	1
61	48909A	Gasket - Crankcase bottom	2
62		Powerhead Assy (See figure 5)	1
63	53457	Nameplate	1
64	53667	Instruction Plate	1

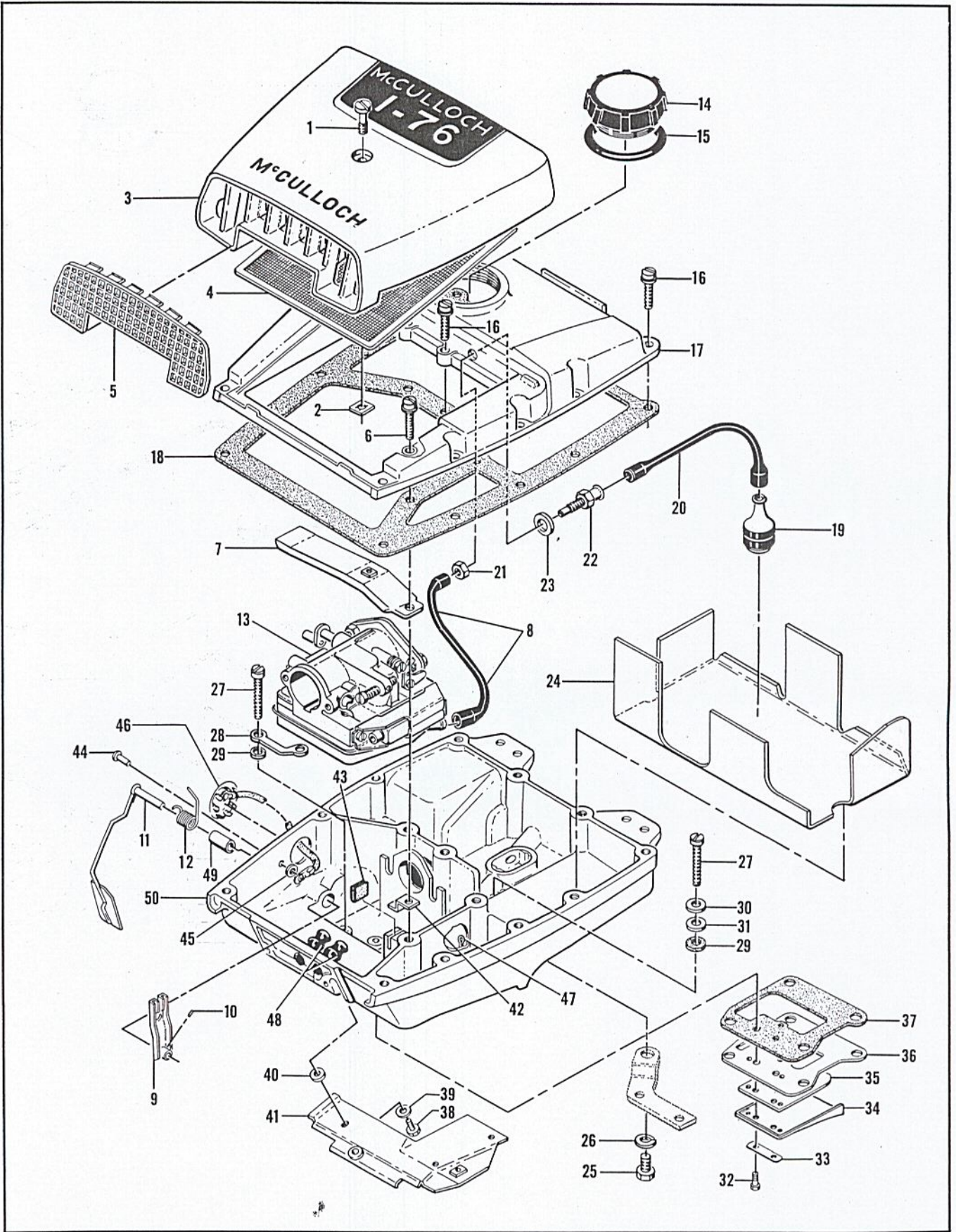


Figure 2. Fuel System Components

FIGURE 2. FUEL SYSTEM COMPONENTS

Index No.	Part Number	Nomenclature	Units Per Assy
	55626	Cover Assy - Air cleaner	1
1	55622	. Screw - Special air cleaner	1
2	103741	. Speednut	1
3		. Cover - Air cleaner (Order Assy #55626)	1
4	55498	Screen - Air cleaner	1
5	55659	Grill - Air cleaner cover	1
6	104396	Screw - Pan hd 10-24 x 3/4 in. lg.	1
7	55634	Anchor Assy - Air cleaner	1
8	53678	Hose - Fuel line	1
9	55964A	Lever Assembly	1
10	104154	. Screw - Set 8-32 x 1/4 in. lg.	1
11	55958	Arm Assy - Governor	1
12	55966	Spring	1
13		McCulloch Carburetor Assy (See figure 6)	1
14	55934A	Cap - Fuel assy	1
15	101348	"O" Ring - Fuel cap	1
16	104396	Screw - Pan hd 10-24 x 3/4 in. lg.	14
17	53682	Cover - Fuel tank	1
18	55627	Gasket - Fuel tank	1
19	53679	Pickup Assy - Fuel	1
20	53678	Hose - Fuel line	1
21	100640	Nut - Hex 1/4-28	1
22	53675	Fitting - Fuel hose	1
23	50832A	Washer - Sealing	1
24	53680	Liner - Fuel tank	1
25	102151	Screw - Hex hd 1/4-20 x 1/2 in. lg.	1
26	100246	Washer - Lock	1
27	55948A	Screw - Fuel tank mounting	4
28	58376	Lockplate	1
29	55636	Washer - Insulating	4
30	102189	Washer	2
31	103744	Washer - Sealing	2
32	103740	Screw - Hex hd 8-32 x 7/8 in. lg.	2
33	51480	Lockplate	1
34	53686	Deflector - Fuel	1
35	48593	Valve - Reed	1
36	53685	Plate - Reed	1
37	58328	Gasket	1
38	102941	Screw - Hex hd 10-24 x 1/2 in. lg.	3
39	102189	Washer	3
40	55636	Washer - Insulating	2
41	55907A	Shield Assy - Fuel tank	1
42	55647	Retainer - Throttle rod	1
43	51394	Felt - Pushrod	1
	55805D	Bottom Assy - Fuel tank	1
44	104504	. Rivet	1
45	101871	. Washer - Plain	2
46	51396A	. Cover Assy - Adjustment hole	1
47	104310	. Pin - Cotter	1
48	51561A	. Grommet	2
49	103708	. Bushing	1
50		. Fuel Tank - Bottom (Order Fuel Tank Bottom Assy #55805D)	1

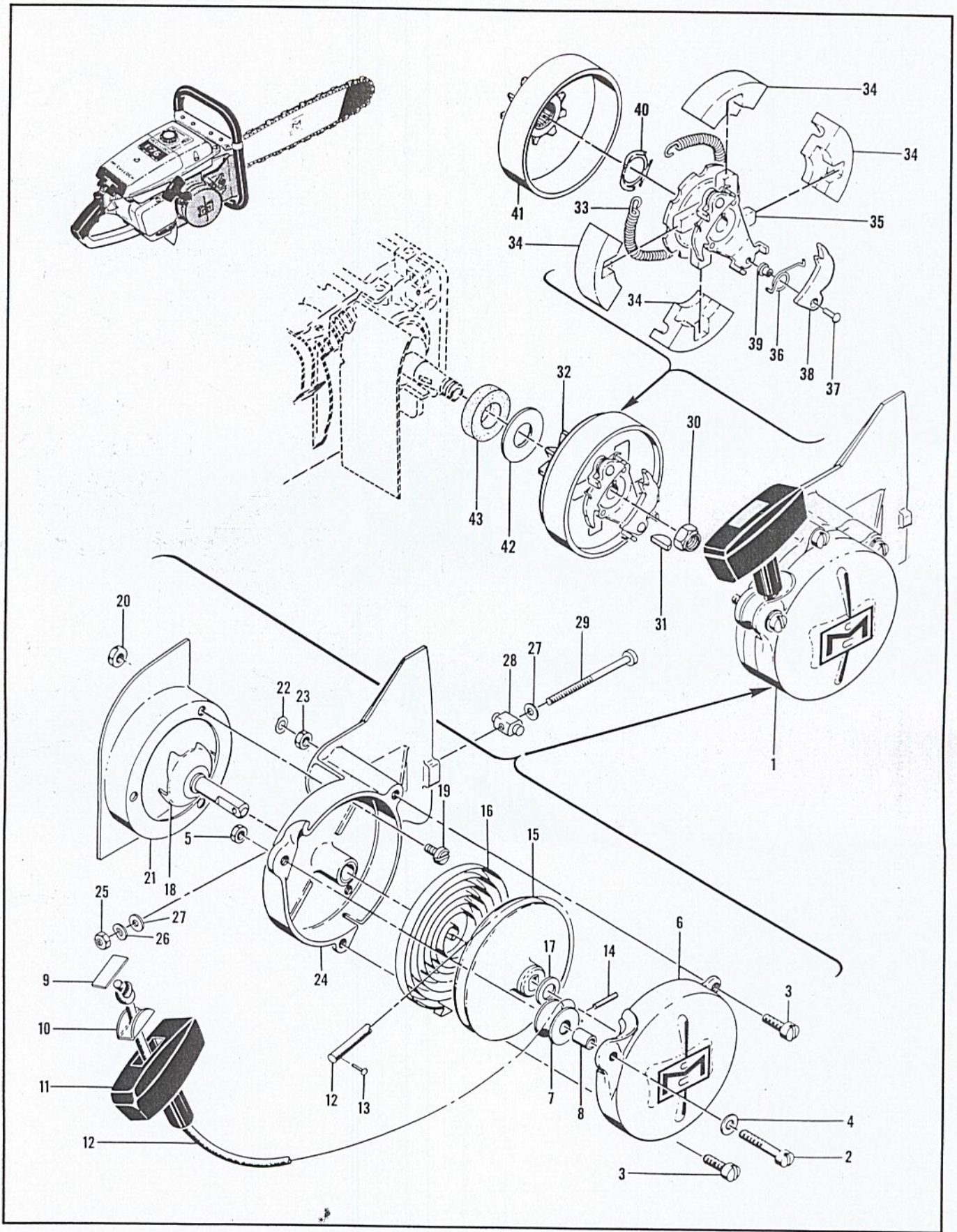


Figure 3. Starter and Clutch Assembly

FIGURE 3. STARTER AND CLUTCH ASSEMBLY

Index No.	Part Number	Nomenclature	Units Per Assy
1	53844	Starter Assy	1
2	101284	. Screw - Fil hd 10-24 x 1-1/8 in. lg.	1
3	103859	. Screw - Fil hd 10-24 x 3/4 in. lg.	2
4	102189	. Washer	1
5	101191	. Nut - Hex 10-24	2
6	55024B	. Cover - Starter	1
7	51138	. Puller - Starter rope	1
8	103536	. Bearing - Puller	1
9	57232	. Plate - Starter handle	1
10	57231	. Cup - Starter handle	1
11	57230	. Handle - Starter	1
12	28716	. Rope - Starter	1
13	101136	. Rivet	1
14	103047	. Pin	1
15	55871	. Drum - Starter	1
16	51665	. Spring - Starter rewind	1
17	104457	. Washer	1
18	51923	. Shaft Assy - Starter	1
19	104071	. Screw - Pan hd 8-32 x 5/16 in. lg.	3
20	100955	. Nut - Hex 8-32	3
21	51459A	. Cover - Sawdust shield	1
22	28935	. Retainer	1
23	101191	. Nut - Hex 10-24	1
24	57660	. Starter Base Assy	1
25	100640	. Nut - Hex 1/4-28	1
26	102813	. Washer - Spring	1
27	102843	. Washer - Plain 1/4 in.	2
28	52207C	. Nut - Bar adjustment	1
29	104548	. Screw - 1/4-28 x 3-5/8 in. lg.	1
30	103746	Nut - Flex loc	1
31	103879	Key - Woodruff	1
32	51470C	Clutch Assy	1
33	51468A	. Spring - Shoe retaining	1
34	51464A	. Shoe - Clutch	4
35	52175	. Rotor Assy - Clutch, Pawl	1
36	51910	. . Spring - Pawl	2
37	103982	. . Rivet	2
38	51914	. . Pawl - Starter	2
39	51911	. . Sleeve - Starter pawl	2
40	103718	Spring - Thrust	1
41		Sprocket, Clutch and Clutch Drum Assy (See figure 4 for pitch sizes)	1
42	51420	Washer - Inner sprocket	1
43	57785	Seal - Felt sprocket	1

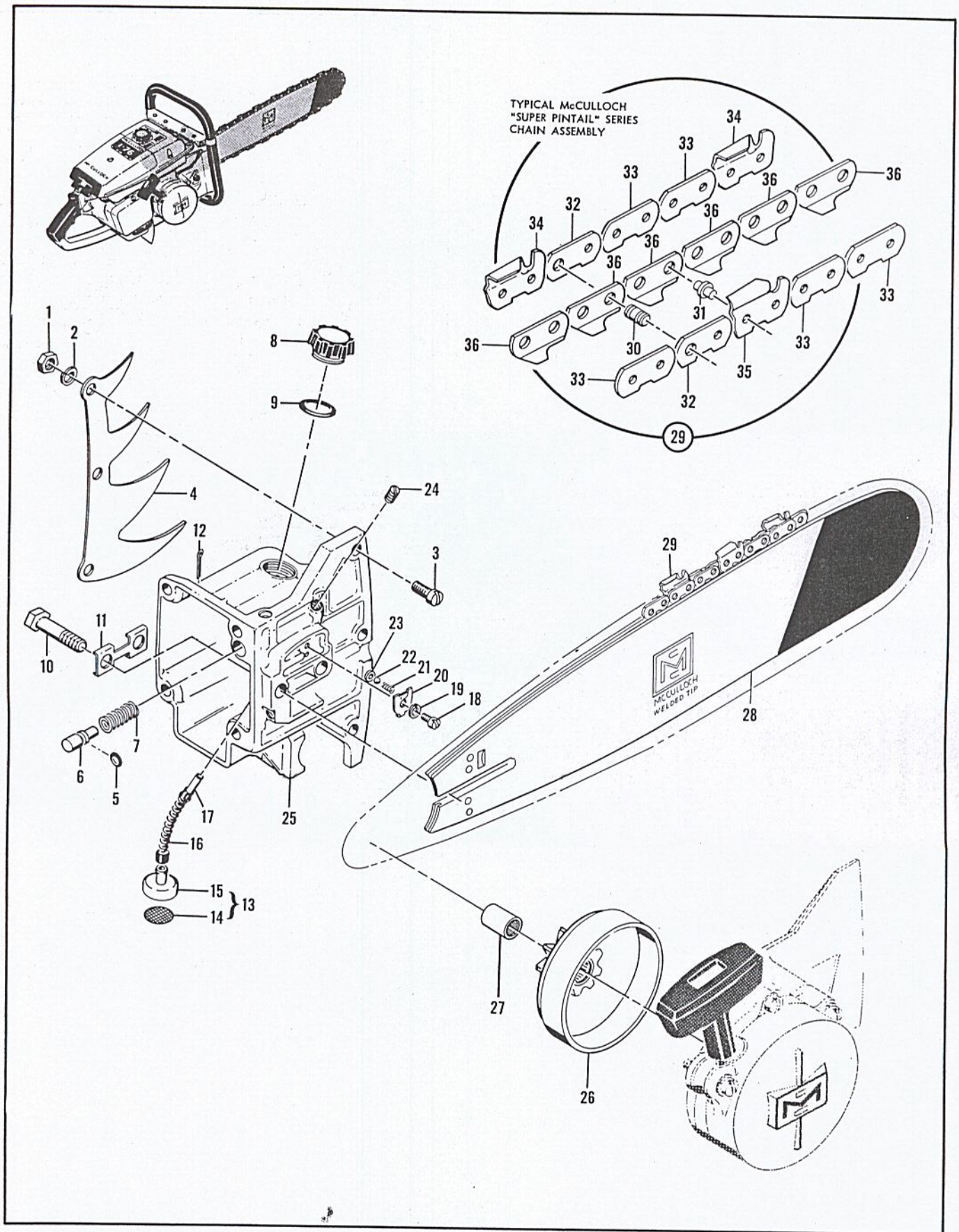


Figure 4. Chain Oiler, Bar and Chain

FIGURE 4. CHAIN OILER, BAR AND CHAIN

Index No.	Part Number	Nomenclature	Units Per Assy
1	100152	Nut - Hex 1/4-20	3
2	100153	Washer - Lock	3
3	102088	Screw - Flat hd 1/4-20 x 3/4 in. lg	3
4	51443	Spike	1
	57662A	Oiler Housing Assy	1
	51947	. Piston Assy - Oiler	1
5	103198	. . Packing - "O" ring	1
6	51940	. . Piston - Oiler	1
7	51946	. . Spring - Oiler	1
8	57129	. Cap - Oiler tank	1
9	101148	. "O" Ring - Oiler tank cap	1
10	51423B	. Screw - Bar clamp	2
11	51439	. Lockplate - Oiler housing	1
12	104062	. Pin - Cotter	1
13	51505	. Weight Assy - Oil line hose	1
14	51506	. . Screen - Oil intake	1
15	51509	. . Weight - Oil line	1
16	28007	. Hose - Flexible	1
17	51982A	. Check Valve Assy - Oiler	1
	57826A	. Housing Assy - Oiler and valve	1
18	101101	. . Screw - Rd hd 8-32 x 1/4 in. lg	1
19	100057	. . Washer - Lock	1
20	51941	. . Retainer	1
21	51945	. . Spring - Valve	1
22	100549	. . Ball - Steel .188 dia	1
23	51943	. . Seat - Ball	1
24	104869	. . Plug - Pipe 1/16-27	1
25		. . Housing - Oiler	1
	*51774B	Sprocket, Clutch Drum and Bearing Assy (7 tooth - .404 pitch)	1
26	51775B	. Drum and Sprocket Assy	1
27	103688	. Bearing - Needle	1
	**51178B	Sprocket and Clutch Drum Assy - 7/16 in. pitch - 7 tooth (alternate)	1
	***51793B	Sprocket and Clutch Drum Assy - 1/2 in. pitch - 6 tooth (alternate)	1
	****59850	Sprocket and Clutch Drum Assy - (A-8 chain) (alternate)	1
28	51403A	Bar - 12 in.	1
	51405A	Bar - 18 in. (alternate)	1
	51407A	Bar - 24 in. (alternate)	1
	51409A	Bar - 30 in. (alternate)	1
29		Typical McCulloch "Super Pintail" Series Chain Assy	1
30		. Master Pin	
31		. Shoulder Rivet	
32		. Master Link	
33		. Side Link	
34		. Cutter - L.H.	
35		. Cutter - R.H.	
36		. Center Link	

*Use only with .404 inch pitch chain
 **Use only with 7/16 inch pitch chain
 ***Use only with 1/2 inch pitch chain
 ****Use only with A-8 chain

FIGURE 5. POWERHEAD ASSEMBLY

Index No.	Number	Nomenclature	Units Per Assy
1	101965	Screw - Fil hd 10-24 x 7/8 in. lg	2
2	100003	Washer	2
3	51253	Retainer - Coil	2
4	51251	Lamination Assy - Coil	1
	55949A	Coil and Terminal Assy	1

(This list is continued on page 11)

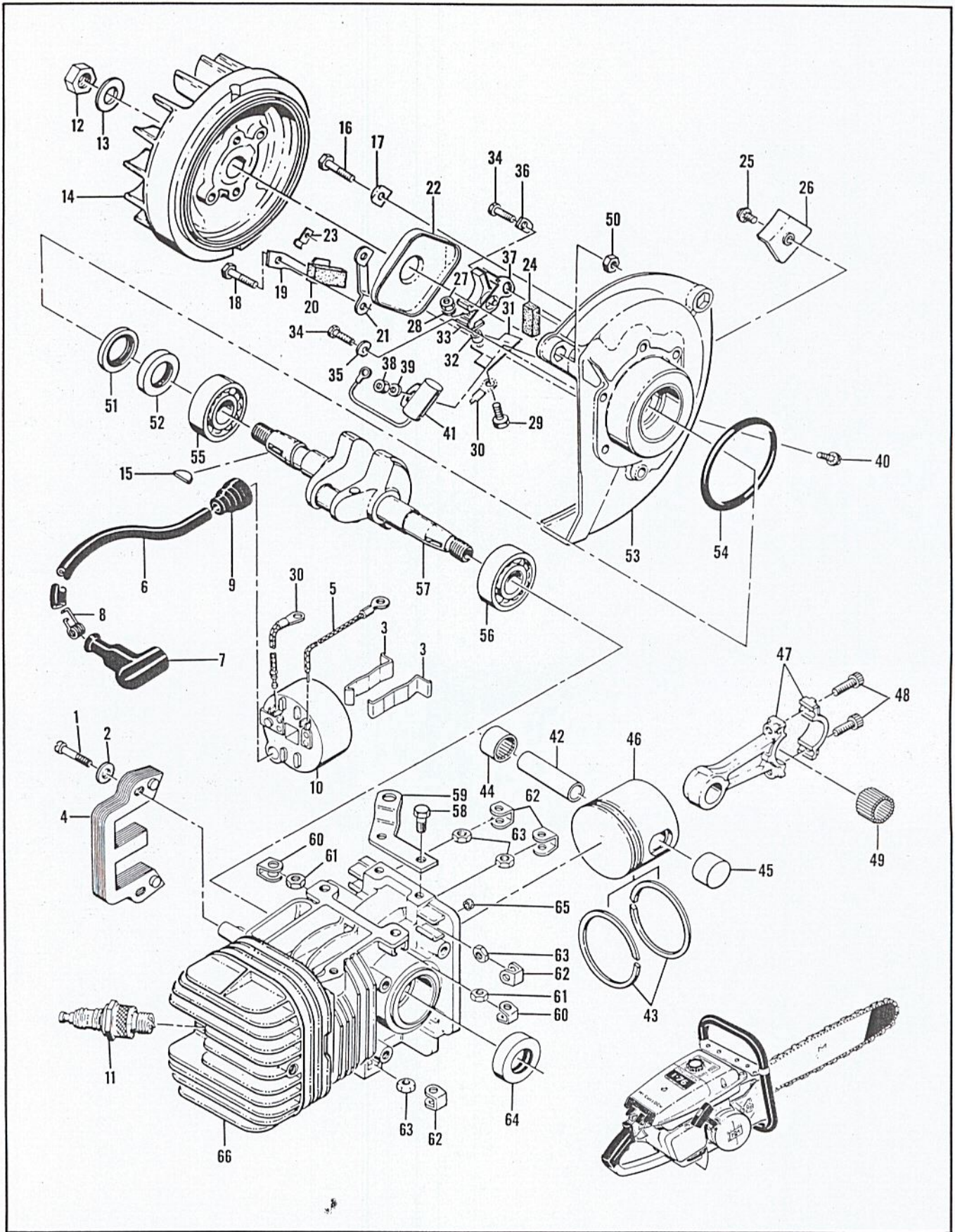


Figure 5. Powerhead Assembly

FIGURE 5. POWERHEAD ASSEMBLY-CONT.

Index No.	Part Number	Nomenclature	Units Per Assy
5	101883	. Wire Assy - Ground	1
6	52547	. Wire Assy - Spark plug	1
7	55060	. . . Boot - Spark plug	1
8	55061	. . . Connector - Spark plug wire	1
9	55617	. Nipple - Spark plug	1
10		. Coil Assy (Order Coil and Terminal Assy #55949A)	1
11		Plug - Spark 14 mm	1
12	101179	Nut - Hex 7/16	1
13	101270	Washer - Special	1
14	57825	Flywheel Assy	1
15	103879	Key - Woodruff	1
16	102763	Screw - Hex hd 10-24 x 3/4 in. lg.	2
17	36388	Plate - Lock	1
18	102763	Screw - Hex hd 10-24 x 3/4 in. lg.	4
19	57815	Strap - Seal	1
20	50664	Seal - Breaker box drain	1
21	55977	Clip - Breaker box cover	2
22	55766B	Cover - Breaker box	1
23	104230	Speednut	1
24	54184	Wiper - Felt	1
25	103061	Screw - 8-32 x 3/8 in. lg. (SEMS)	1
26	57829	Clamp - Ignition wire	1
27	104551	Nut - Hex 8-32	1
28	104553	Lockwasher #8	1
29	103748	Screw - Hex hd 8-32 x 1/2 in. lg.	1
30	57766	Wire Assembly - Primary	1
31	55782	Insulator	1
32	57769	Insulation - Ignition screw	1
33	57770A	Insulator - Breaker spring	1
34	104733	Screw - 8-32 x 1/2 in. lg. (SEMS)	2
35	57767A	Lockplate	1
36	57778C	Washer - Breaker retainer	1
37	57765A	Breaker Assy	1
38	100955	Nut - Hex 8-32	1
39	100080	Washer - Plain #8	1
40	104733	Screw - 8-32 x 1/2 in. lg. (SEMS)	1
41	50074	Condenser	1
42	48859	Pin - Piston	1
	59582	Piston Assy (Also see Oversize Assy - Page 15)	1
43	48978	. Ring Set - Piston	1
44	101206	. Bearing - Needle	1
45	104378	. Bearing - Needle (Closed end)	1
46		. Piston	1
47	48905	Connecting Rod Assy	1
48	104589	. Screw - Socket hd 10-32 x 5/8 in. lg.	2
49	102742	. Roller - Needle	24
	57768A	Crankcase Cover Assy	1
50	101326	. Nut - Hex 10-24	1
51	57897	. Seal - Oil	1
52	57898	. Seal - Oil	1
53		. Cover - Crankcase (Order Crankcase Cover Assy #57768A)	1
54	104523	“O” Ring	1
55	100824	Bearing - Ball	1
56	104490	Bearing - Ball	1
57	58128	Crankshaft	1
58	102762	Screw - Hex hd 10-24 x 1/2 in. lg.	2
59	53271	Bracket - Fuel tank mounting	1
	59564	Cylinder Assy - Crankcase	1
60	28053	. Retainer - Nut	2
61	101326	. Nut - Hex 10-24	2
62	18556A	. Retainer - Nut	6
63	101143	. Nut - Hex 1/4-20	6
64	104486	. Seal - Oil	1
65	57736	. Seal - Pushrod	1
66		. Cylinder - Crankcase .. (Order Cylinder - Crankcase Assy #59564)	1

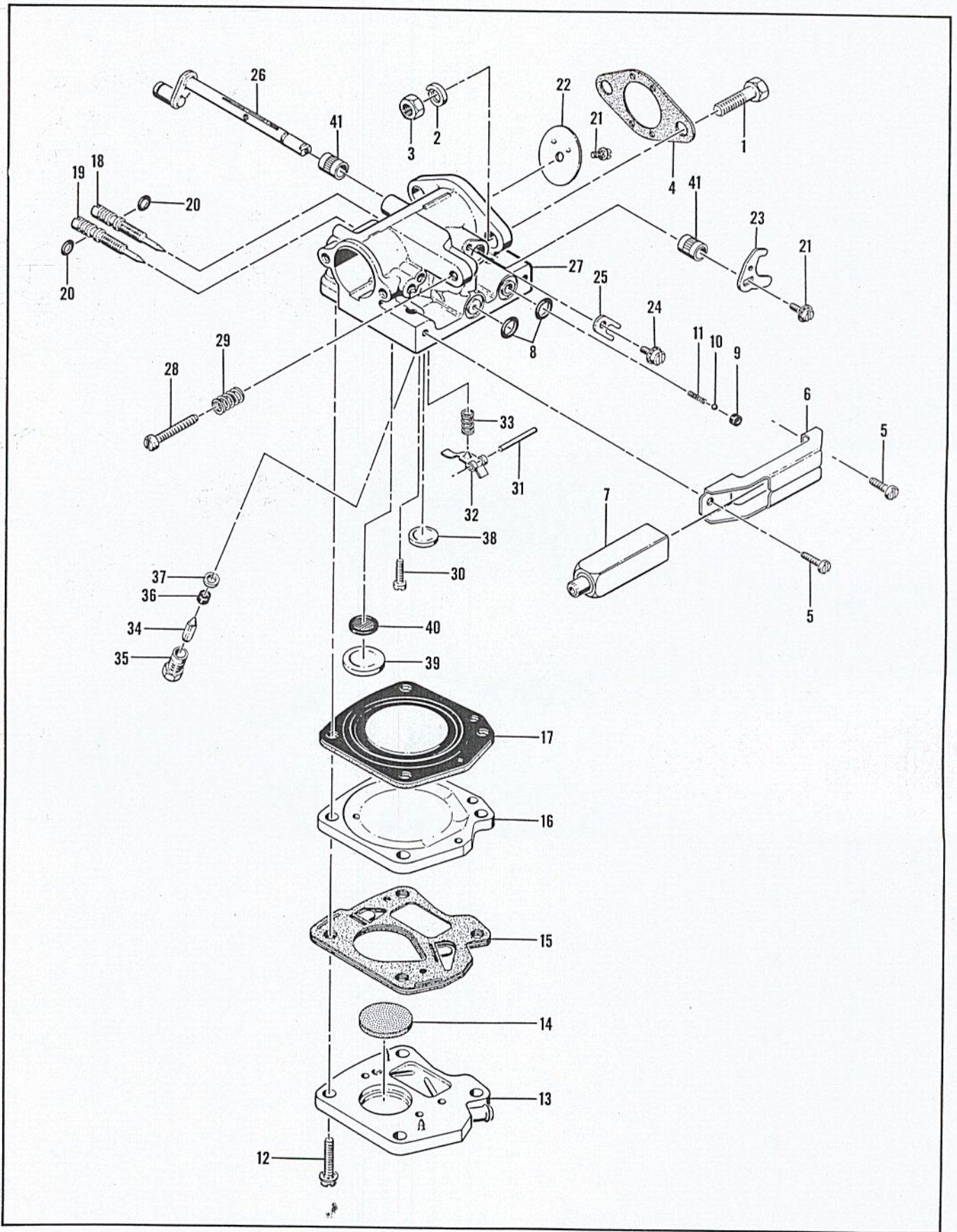


Figure 6. McCulloch Carburetor Assembly

FIGURE 6. McCULLOCH CARBURETOR ASSEMBLY

Index No.	Part Number	Nomenclature	Units Per Assy
1	100882	Screw - Hex hd 1/4-20 x 3/4 in. lg	2
2	101476	Lockwasher - 1/4 in.	2
3	103242	Nut - Hex 1/4-20	2
4	51161C	Gasket - Carburetor	1
	53580	Carburetor Assembly - McCulloch	1
5	104769	. Screw - Pan hd 6-32 x 3/8 in. lg	2
6	53440	. Bracket - Primer mounting	1
7	53449	. Primer Assy	1
8	101056	. "O" Ring	2
9	59480	. Seat - Primer valve	1
10	100302	. Ball - Steel 1/4 inch diameter	1
11	28754	. Spring - Primer	1
12	104520	. Screw - 10-24 x 7/8 in. lg (SEMS)	4
13	57667	. Body Assy - Fuel pump	1
14	57277	. Filter - Fuel pump	1
15	57274A	. Diaphragm Assy - Fuel pump	1
16	57272A	. Plate - Carburetor diaphragm	1
17	55067C	. Diaphragm - Carburetor	1
18	53312	. Needle - Idle adjustment	1
19	53314	. Needle - Main adjustment	1
20	104001	. "O" Ring	2
21	104814	. Screw - Pan hd 4-40 x 1/4 in. lg (SEMS)	2
22	53309	. Plate - Throttle	1
23	53582	. Arm - Throttle shaft	1
24	104570	. Screw - 8-32 x 1/4 in. lg (SEMS)	1
25	55082	. Clip - Shaft	1
26	55077A	. Shaft - Roller assy	1
27	53592	. Body Assembly - Carburetor	1
28	55397	. Screw - Fil hd 8-36 x 15/16 in. lg	1
29	51705	. Spring - Idle screw	1
30	104164	. Screw - Pan hd 4-40 x 1/4 in. lg	1
31	104305	. Pin - Lever	1
32	55688	. Lever - Inlet control	1
33	57172	. Spring - Inlet control	1
34	55476	. Needle - Inlet control	1
35	55475	. Body - Needle	1
36	55474	. Seat - Needle	1
37	55689	. Washer - Valve seat	1
38	102758	. Plug - Expansion	1
39	104407	. Plug - Expansion 1-inch	1
40	55690B	. Seal - Capillary, large	1
41	55062A	. Bushing	2

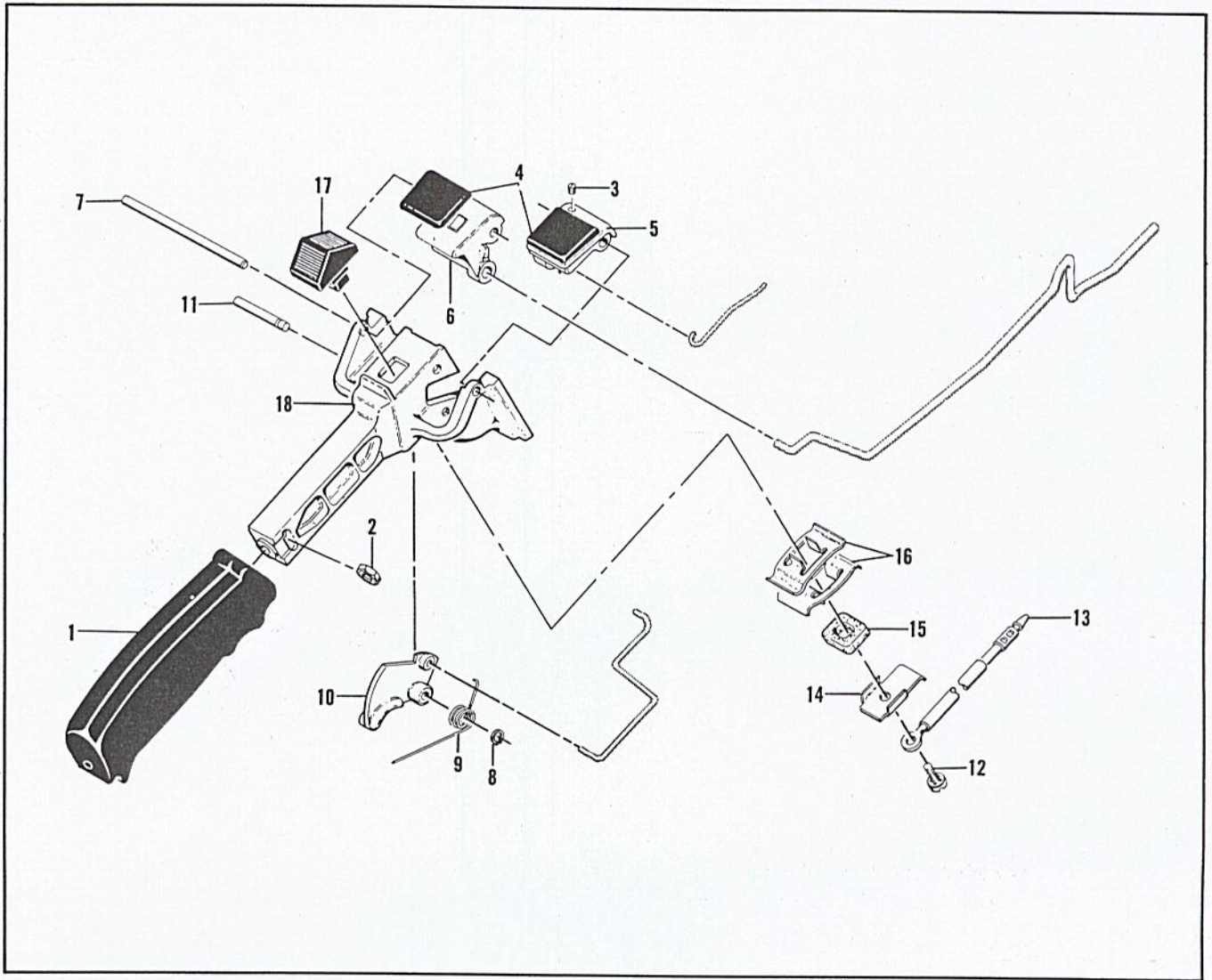


Figure 7. Handle and Control Assembly

FIGURE 7. HANDLE AND CONTROL ASSEMBLY

Index No.	Part Number	Nomenclature	Units Per Assy
	53245	Handle and Control Assy	1
1	55624A	. Grip - Handle	1
2	102067	. Nut - Hex 10-24	1
3	104484	. Screw - Set 8-32 x 1/4 in. lg	1
4	55670	. Grommet	2
5	55968A	. Button - Primer control	1
6	55969A	. Button - Oiler control	1
7	51344A	. Shaft - Primer and oiler buttons	1
8	104501	. Retainer - Trigger pin	1
9	55674	. Spring - Trigger return	1
10	55616	. Trigger	1
11	50507	. Pin - Trigger	1
12	103061	. Screw - Fil hd 8-32 x 3/8 in. lg (SEMS)	1
13	51492A	. Wire Assy - Primary	1
14	51279	. Contact - Switch	1
15	51555	. Insulator - Switch	1
16	51554A	. Detent - Switch	2
17	57718	. Button - Switch	1
18	55986	. Handle	1

TOOLS AND ACCESSORIES

Index No.	Part Number	Nomenclature	Units Per Assy
	*51445	Wrench and Screwdriver Combination	
	*53461	Owner's Manual of Operating Instructions	
	*56625A	Chain Maintenance Manual	
	*14168A	Wrench - Spark plug	
	18413A	Gauge - Feeler	
	102094	Fixture - Chain grinding	
	102449	McCulloch Yellow Paint (12 oz spray bomb type)	
	102057	McCulloch Oil (1 quart)	
	102664	McCulloch Oil (12 oz can)	
	103736	File - Round 7/32 in. diameter	
	104003	File - Round 3/16 in. diameter	
	56224A	Chain Breaker - Rivet spinner	
	56250	Depth gauge - .025 - .040	
	56251	Depth gauge - .045 - .060	

*Indicates items furnished with each saw.

OVERSIZE PISTON ASSEMBLY

Part Number	Nomenclature	Units Per Assy
59583	Piston Assy - .010 oversize	
48934	Ring - Piston (set of 2) .010 oversize	
59584	Piston Assy - .020 oversize	
59587	Ring - Piston (set of 2) .020 oversize	
59585	Piston Assy - .030 oversize	
59586	Ring - Piston (set of 2) .030 oversize	