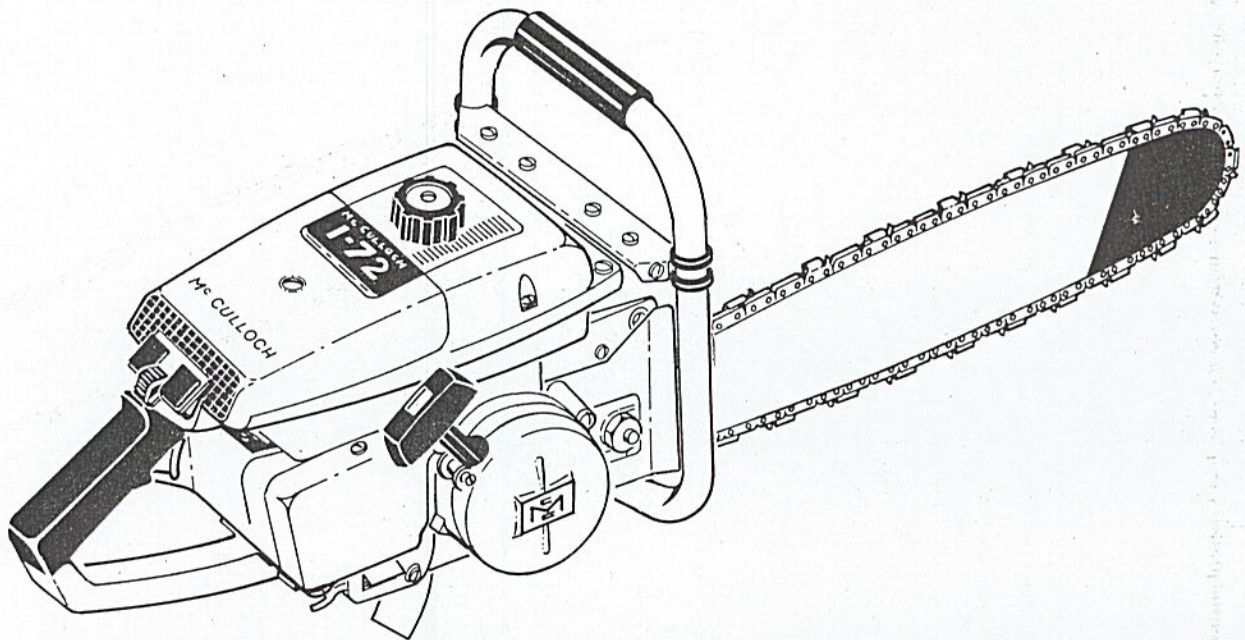


ILLUSTRATED PARTS LIST

MARCH 1961



The following pages contain an illustrated parts list for the Model 1-72 Chain Saw. Due to small differences between saws, it is important that the Serial Number of your saw be included whenever spare parts are ordered. This will assure receiving the proper parts from your dealer.

	Page
Figure 1. Engine Exploded View - General	2
Figure 2. Fuel System Components	4
Figure 3. Starter and Clutch Assembly	6
Figure 4. Chain Oiler, Bar and Chain	8
Figure 5. Powerhead Assembly	10
Figure 6. Carburetor Assembly	12
Figure 7. Handle and Control Assembly	14



McCULLOCH CORPORATION
8101 West Century Boulevard, Los Angeles 45, California

#57760

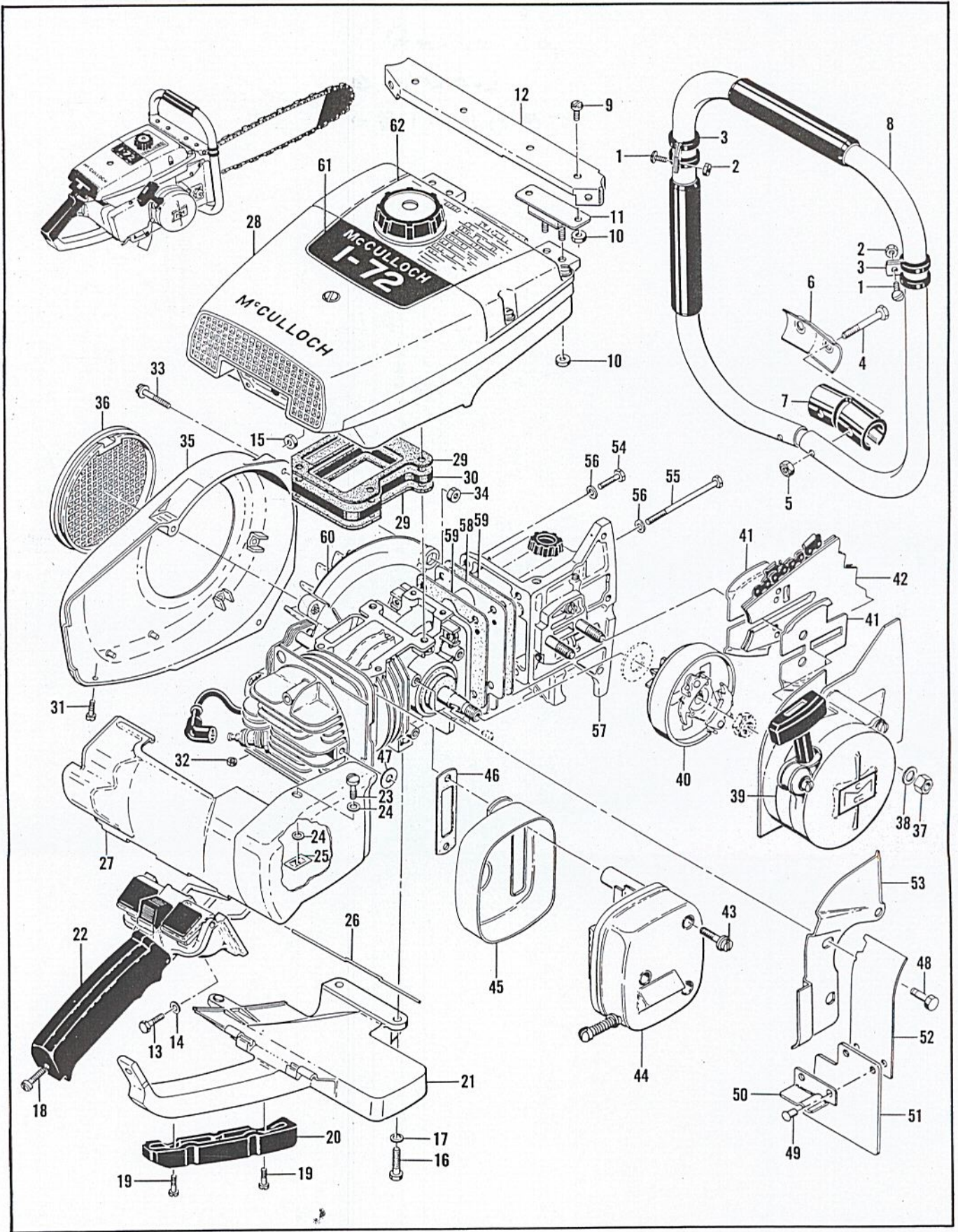


Figure 1. Engine Exploded View - General

FIGURE 1 ENGINE EXPLODED VIEW—GENERAL

Index No.	Part Number	Nomenclature	Units Per Assy
1	102763	Screw - Pan hd 10-24 x 3/4 in. lg	2
2	100239	Nut - Hex 10-24	2
3	103923	Clamp	2
4	102125	Screw - Hex hd 1/4-20 x 1-3/4 in. lg	2
5	101143	Nut - Hex 1/4-20	2
6	51362	Clamp - Frame	1
7	51364	Insulator	1
8	55802	Frame and Grip Assy	1
9	104393	Screw - Pan hd 10-24 x 3/8 in. lg	4
10	101191	Nut - Hex 10-24	8
11	55606A	Mount - Shock	2
12	55637	Brace - Frame	1
13	102761	Screw - Hex hd 10-24 x 7/8 in. lg	2
14	102189	Washer	2
15	102067	Nut - Hex 10-24	2
16	102121	Screw - Hex hd 1/4-20 x 7/8 in. lg	2
17	100005	Washer	2
18	102500	Screw - Pan hd 10-24 x 1/2 in. lg	1
19	104477	Screw - Bind hd 10-24 x 1/2 in. lg	2
20	55941	Insert - Handle	1
21	57872	Brace - Handle	1
22		Handle and Control Assy (See figure 7)	1
23	51351	Screw - Special	1
24	100005	Washer - Plain 1/4	2
25	103741	Speednut	1
26	55885	Pin - Shroud hinge	1
27	55419A	Shroud Assy - Cylinder and muffler	1
28		Fuel System Components (See figure 2)	1
29	58330	Gasket - Bottom fuel tank	2
30	57771	Insulator	1
31	104397	Screw - Pan hd 10-24 x 7/8 in. lg	1
32	102067	Nut - Hex 10-24	1
33	104503	Screw - 10-24 x 1-1/4 in. lg (SEMS)	3
34	101191	Nut - Hex 10-24	2
35	57733	Housing - Fan	1
36	55615	Guard - Flywheel	1
37	103729	Nut - Hex 3/8-24	2
38	100006	Washer - 3/8 in.	2
39		Starter Assy (See figure 3)	1
40		Clutch, Drum and Bearing Assy (See figure 3)	1
41	51632B	Protector - Gearcase	2
42		Bar and Chain Assy (See figure 4)	1
	55838A	Muffler Assy	1
43	55998	. Screw - Hex hd 10-24 x 5/8 in. lg	3
44	55820A	. Top Assy - Muffler	1
45	55828	. Bottom Assy - Muffler	1
46	36093	Gasket - Muffler	1
47	55213	Washer - Insulator	1
48	104133	Screw - 1/4-20 x 5/8 in. lg (SEMS)	3
	51991A	Guard Assy - Muffler	1
49	103819	. Rivet - 3/16 dia. x 5/16 in. lg	2
50	55113	. Angle	1
51	55112	. Deflector	1
52	51990A	. Shield - Muffler	1
53	55255	Jacket - Cylinder	1
54	103258	Screw - Hex hd 1/4-20 x 1-1/8 in. lg	2
55	102127	Screw - Hex hd 1/4-20 x 3-1/4 in. lg	2
56	100005	Washer	4
57		Oiler Housing Assy (See figure 4)	1
58	51789D	Bottom - Crankcase	1
59	50141B	Gasket - Crankcase bottom	2
60		Powerhead Assy (See figure 5)	1
61	57758	Nameplate	1
62	55702A	Instruction Plate	1

MODEL
1-72

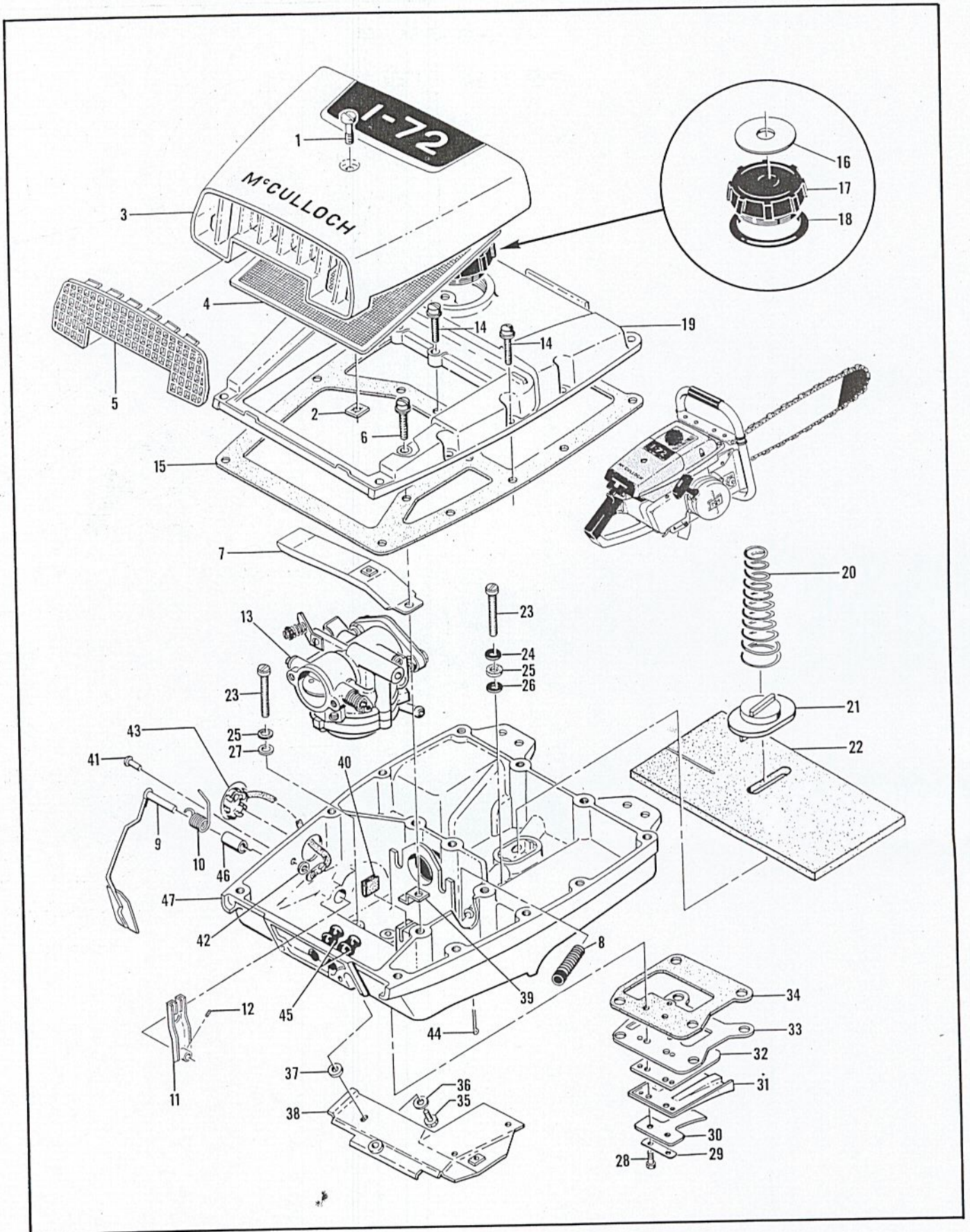


Figure 2. Fuel System Components

FIGURE 2 FUEL SYSTEM COMPONENTS

Index No.	Part Number	Nomenclature	Units Per Assy
	55626	Cover Assy - Air cleaner	1
1	55622	. Screw - Special air cleaner	1
2	103741	. Speednut	1
3		. Cover - Air cleaner	1
4	55498	Screen - Air cleaner	1
5	55659	Grill - Air cleaner cover	1
6	104396	Screw - Pan hd 10-24 x 3/4 in. lg	1
7	55634	Anchor Assy - Air cleaner	1
8	55857A	Hose - Fuel line	1
9	55958	Arm Assembly Governor	1
10	55966	Spring	1
11	55964	Lever Assembly	1
12	104154	Screw - Set 8-32 x 1/4 in. lg	1
13		Tillotson Carburetor Assy (See figure 6)	1
14	104396	Screw - Pan hd 10-24 x 3/4 in. lg	14
15	55627	Gasket - Fuel tank	1
16	57485	Plate - Fuelcap	1
17	55934	Cap - Fuel assy	1
18	101348	"O" Ring - Fuel cap	1
19	55588	Top - Fuel tank	1
20	55436	Spring - Wick retaining	1
21	55404	Clamp - Fuel wick	1
22	55405	Wick - Fuel tank	1
23	57772	Screw - Fuel tank mounting	4
24	103744	Washer - Sealing	2
25	55636	Washer - Insulating	4
26	55865	Washer - Sealing buna	2
27	100002	Washer - Plain No. 10	2
28	103740	Screw - Hex hd 8-32 x 7/8 in. lg	2
29	51480	Lockplate	1
30	57658	Clamp - Reed	1
31	57654	Deflector - Fuel	1
32	51809A	Valve - Reed	1
33	57656	Plate - Reed	1
34	58328	Gasket	1
35	102941	Screw - Hex 10-24 x 1/2 in. lg	3
36	102189	Washer	3
37	55636	Washer - Insulating	2
38	55907	Shield Assy - Fuel tank	1
39	55647	Retainer - Throttle rod	1
40	51394	Felt - Pushrod	1
	55805B	Bottom Assy - Fuel tank	1
41	104504	. Rivet	1
42	101871	. Washer - Plain	1
43	51396A	. Cover Assy - Adjustment hole	1
44	104310	. Pin - Cotter	1
45	51561	. Grommet	2
46	103708	. Bushing	1
47		. Fuel Tank - Bottom	1
		(Order Fuel Tank Bottom Assy #55805B)	

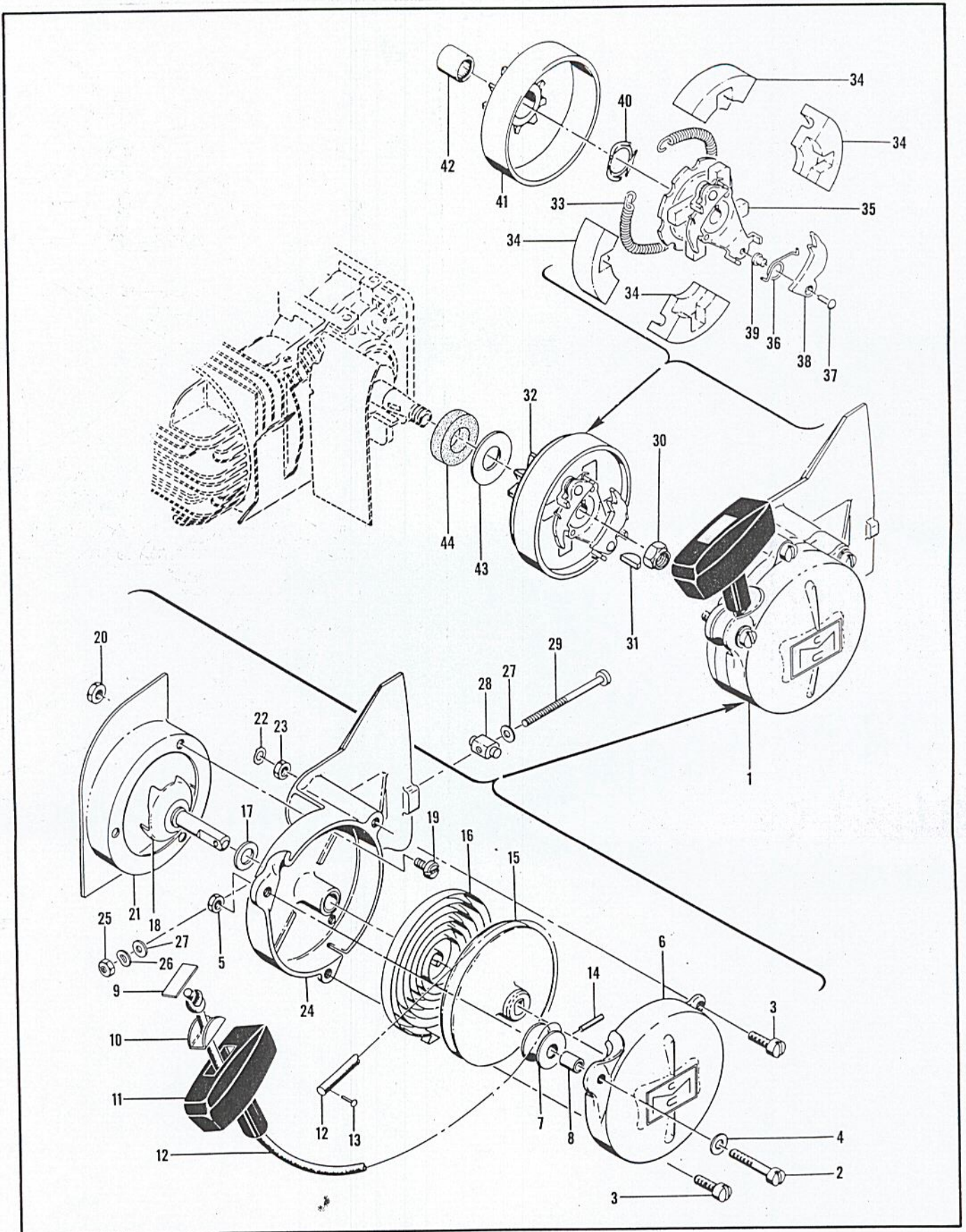


Figure 3. Starter and Clutch Assembly

FIGURE 3 STARTER AND CLUTCH ASSEMBLY

Index No.	Part Number	Nomenclature	Units Per Assy
1	57661	Starter Assy	1
2	101284	. Screw - Fil hd 10-24 x 1-1/8	1
3	103859	. Screw - Fil hd 10-24 x 3/4 in. lg	2
4	102189	. Washer - 3/8 plain	1
5	101191	. Nut - Hex 10-24	2
6	55024B	. Cover - Starter	1
7	51138	. Pulley - Starter rope	1
8	103536	. Bearing - Pulley	1
9	57232	. Plate - Starter handle	1
10	57231	. Cup - Starter handle	1
11	57230	. Handle - Starter	1
12	28716	. Rope - Starter	1
13	101136	. Rivet	1
14	103047	. Pin	1
15	55871	. Drum - Starter	1
16	51665	. Spring - Starter rewind	1
17	104457	. Washer	1
18	51923	. Shaft Assy - Starter	1
	57660	. Base Assy - Starter	1
19	104071	. Screw - Pan hd 8-32 x 5/16	3
20	100955	. Nut - Hex 8-32	3
21	51459A	. Cover - Sawdust shield	1
22	28935	. Retainer	1
23	101191	. Nut - Hex 10-24	1
24	57660	. Starter Base Assy	1
25	100640	. Nut - Hex 1/4-28	1
26	102813	. Washer - Spring	1
27	102843	. Washer - Plain 1/4 in.	2
28	52207 C	. Nut - Bar adjustment	1
29	104548	. Screw - 1/4-28 x 3-5/8 in. lg	1
30	103746	. Nut - Flexloc	1
31	103879	. Key - Woodruff	1
32	51470B	Clutch Assy	1
33	51468	. Spring - Shoe retaining	1
34	51464A	. Shoe - Clutch	4
35	52175	. Rotor Assy - Clutch, Pawl	1
36	51910	. . Spring - Pawl	2
37	103982	. . Rivet	2
38	51914	. . Pawl - Starter	2
39	51911	. . Sleeve - Starter pawl	2
40	103718	Spring - Thrust	1
41		Sprocket, Clutch and Clutch Drum Assy (See figure 4 for pitch sizes)	1
42	103688	. Bearing - Needle	1
43	51420	Shroud - Inner sprocket	1
44	57785	Seal - Felt sprocket	1

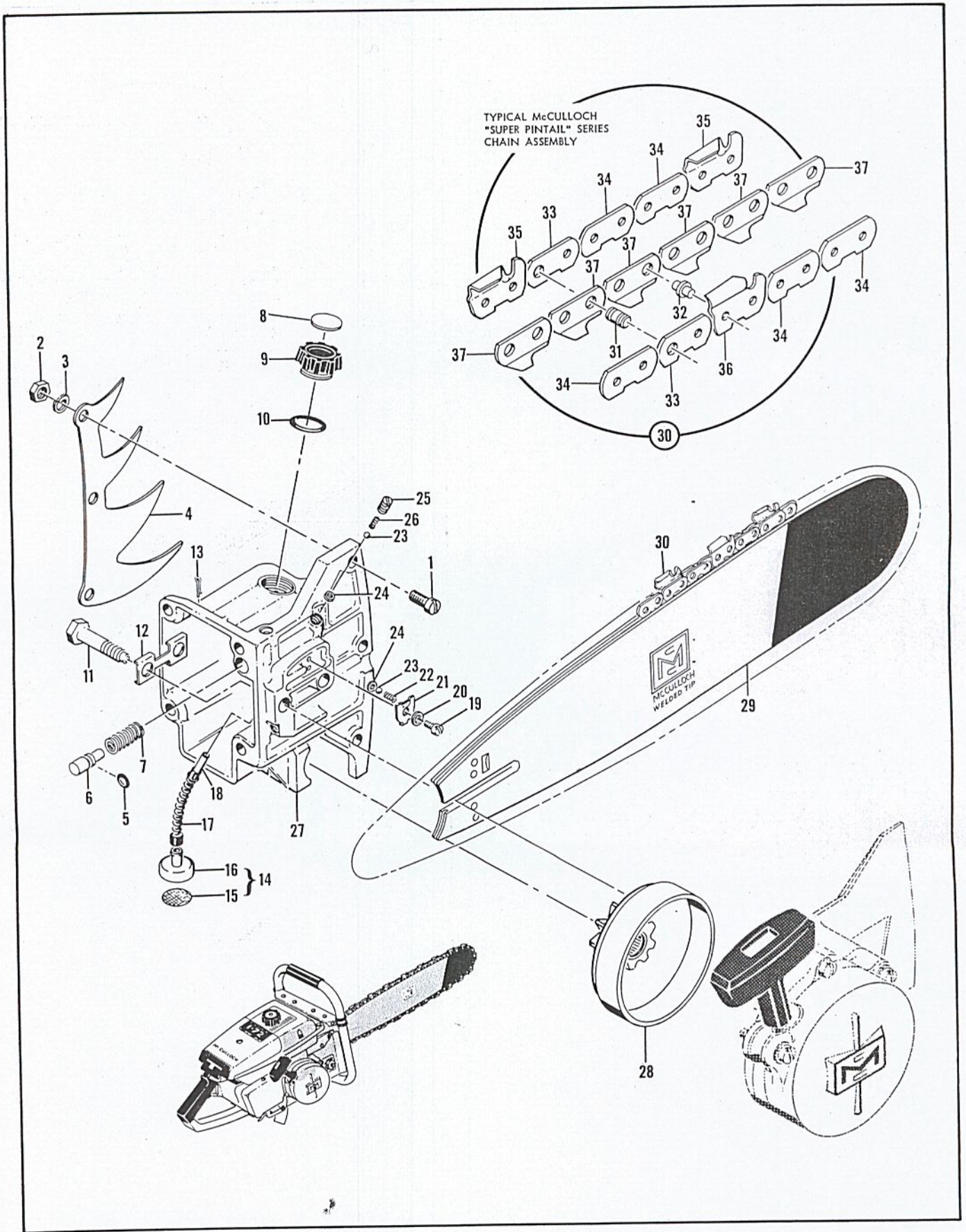


Figure 4. Chain Oiler, Bar and Chain

FIGURE 4 CHAIN OILER, BAR AND CHAIN

Index No.	Part Number	Nomenclature	Units Per Assy
1	102088	Screw - Flat hd 1/4-20 x 3/4 in. lg	3
2	100152	Nut - Hex 1/4-20	3
3	100153	Washer - Lock	3
4	51443	Spike	1
	57662	Oiler Housing Assy	1
	51947	· Piston Assy - Oiler	1
5	103198	· · Packing - "O" ring	1
6	51940	· · Piston - Oiler	1
7	51946	· · Spring - Oiler	1
8	57234	· Plate - Oil cap	1
9	57129	· Cap - Oiler	1
10	101148	· Gasket - "O" ring	1
11	51423B	· Screw - Bar clamp	2
12	51439	· Lockplate - Oiler housing	1
13	100010	· Pin - Cotter	1
14		· Weight Assy	1
15	51506	· · Screen - Oil intake	1
16	51509	· · Weight - Oil line	1
17	28007	· Hose - Flexible	1
18	28042	· Tube - Oiler	1
	57826	· Housing Assy - Oiler and valve	1
19	101101	· · Screw - Rd hd 8-32 x 1/4 in. lg	1
20	100057	· · Washer - Lock	1
21	51941	· · Retainer	1
22	51945	· · Spring - Valve	1
23	100549	· · Ball - Steel .188 dia.	2
24	51943	· · Seat - Ball	2
25	51942	· · Plug - Oiler pump	1
26	51944	· · Spring - Valve	1
27		· · Housing - Oiler (Order Assy #57826)	1
28	*51178B	Sprocket and Clutch Drum Assy - 7/16 in. pitch (Blue)	1
	**51793B	Sprocket and Clutch Drum Assy - 1/2 in. pitch (Green) (alternate)	1
	***51774B	Sprocket and Clutch Drum Assy - .404 in. pitch (Red) (alternate)	1
29	51403A	Bar - 12 in.	1
	51405A	Bar - 18 in. (alternate)	1
	51407A	Bar - 24 in. (alternate)	1
	51409A	Bar - 30 in. (alternate)	1
30		Typical McCulloch "Super Pintail" Series Chain Assy	1
31		· Master Pin	
32		· Shoulder Rivet	
33		· Master Link	
34		· Side Link	
35		· Cutter - L.H.	
36		· Cutter - R.H.	
37		· Center Link	

*Use only with 7/16 inch pitch chain
 **Use only with 1/2 inch pitch chain
 ***Use only with .404 inch pitch chain

FIGURE 5 POWERHEAD ASSEMBLY

Index No.	Part Number	Nomenclature	Units Per Assy
1	101965	Screw - Fil hd 10-24 x 7/8 in. lg	2
2	100003	Washer	2
3	51253	Retainer - Coil	2
4	51251	Lamination Assy - Coil	1
	55949A	Coil and Terminal Assy	1
5	101883	· Wire Assy - Ground	1
6	52547	· Wire Assy - Spark plug	1
7	55060	· · Boot - Spark plug	1
8	55061	· · Connector - Spark plug wire	1
9	55617	· Nipple - Spark plug	1
10		· Coil Assy (Order Coil and Terminal Assy #55949A)	1
11		· Plug - Spark 14 mm	1
12	101179	Nut - Hex 7/16	1
13	101270	Washer - Special	1
14	57825	Flywheel Assy	1
15	103879	Key - Woodruff	1
16	102763	Screw - Hex hd 10-24 x 3/4 in. lg	2

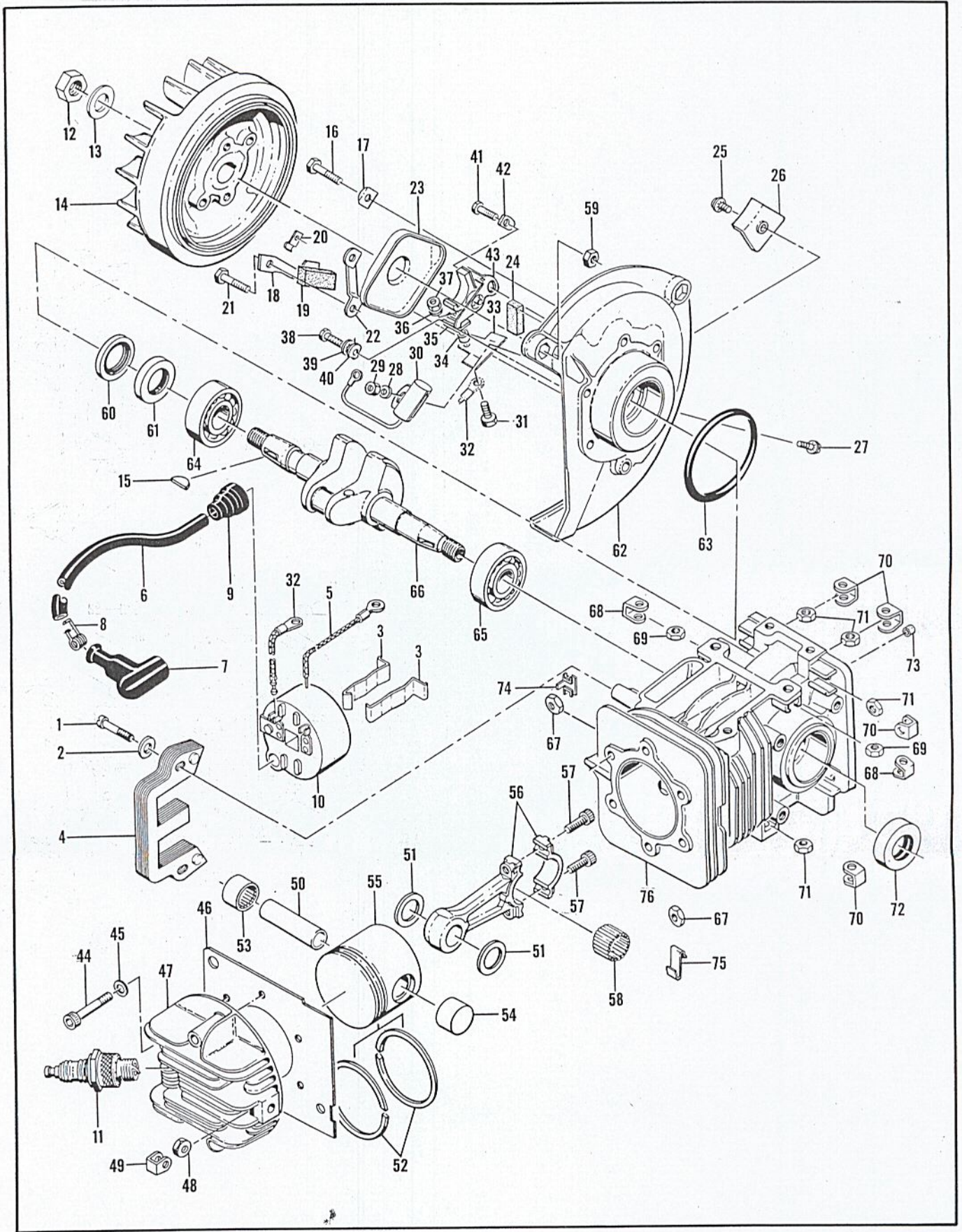


Figure 5. Powerhead Assembly

FIGURE 5 POWERHEAD ASSEMBLY - CONT.

Index No.	Part Number	Nomenclature	Units Per Assy
17	36388	Plate - Lock	1
18	57815	Strap - Seal	1
19	50664	Seal - Breaker box drain	1
20	104230	Speednut	1
21	102763	Screw - Hex hd 10-24 x 3/4 in. lg	4
22	55977	Clip - Breaker box cover	2
23	55766B	Cover - Breaker box	1
24	54184	Wiper - Felt	1
25	104570	Screw - 8-32 x 1/4 in. lg (SEMS)	1
26	57829	Clamp - Ignition wire	1
27	104555	Screw - 8-32 x 1/2 in. lg (SEMS)	1
28	100080	Washer - Plain No. 8	1
29	100955	Nut - Hex 8-32	1
30	50074	Condenser	1
31	103748	Screw - Hex hd 8-32 x 1/2 in. lg	1
32	57766	Wire Assy - Primary	1
33	55782	Insulator	1
34	57769	Insulator - Ignition screw	1
35	57770	Insulator - Breaker spring	1
36	104553	Lockwasher - No. 8	1
37	104551	Nut - Hex 8-32	1
38	100414	Screw - Fil hd 8-32 x 1/2 in. lg	1
39	100057	Lockwasher	1
40	55778	Washer - Special	1
41	103061	Screw - 8-32 x 1/2 in. lg (SEMS)	1
42	57767	Lockplate	1
43	57765	Breaker Assy	1
44	101563	Screw - Socket hd 10-24 x 1-1/4 in. lg	6
45	24236	Washer	6
46	55012B	Gasket	1
47	55355B	Head - Cylinder	1
48	101326	Nut - Hex 10-24	1
49	28053	Retainer - Nut	1
50	57198	Pin - Piston	1
51	51209	Washer - Thrust	2
	48695	Piston Assy (Also see Oversize Assy - Page 19)	1
52	48691	. Ring Set - Piston	1
53	101206	. Bearing - Needle	1
54	104378	. Bearing - Needle (Closed end)	1
55		. Piston..... (Order Piston Assy #48695)	
56	55009	Connecting Rod Assy	1
57	101356	. Screw - Socket hd 10-32 x 5/8 in. lg	2
58	102742	. Roller - Needle	24
	57827	Crankcase Cover Assy	1
59	101326	. Nut - Hex 10-24	1
60	57870	. Seal - Oil	1
61	57784	. Seal - Oil	1
62		. Cover - Crankcase..... (Order Assy #57827)	1
63	104523	“O” Ring	1
64	100824	Bearing - Ball	1
65	104490	Bearing - Ball	1
66	57756	Crankshaft	1
	57894	Cylinder Assy - Crankcase	1
67	101326	. Nut - Hex 10-24	6
68	28053	. Retainer - Nut	2
69	101326	. Nut - Hex 10-24	2
70	18556A	. Retainer - Nut	6
71	101143	. Nut - Hex 1/4-20	6
72	57732	. Seal - Oil	1
73	57736	. Seal - Pushrod	1
74	104255	. Retainer - Nut	2
75	57063	. Retainer - Nut	4
76		. Cylinder - Crankcase..... (Order Assy #57894)	1

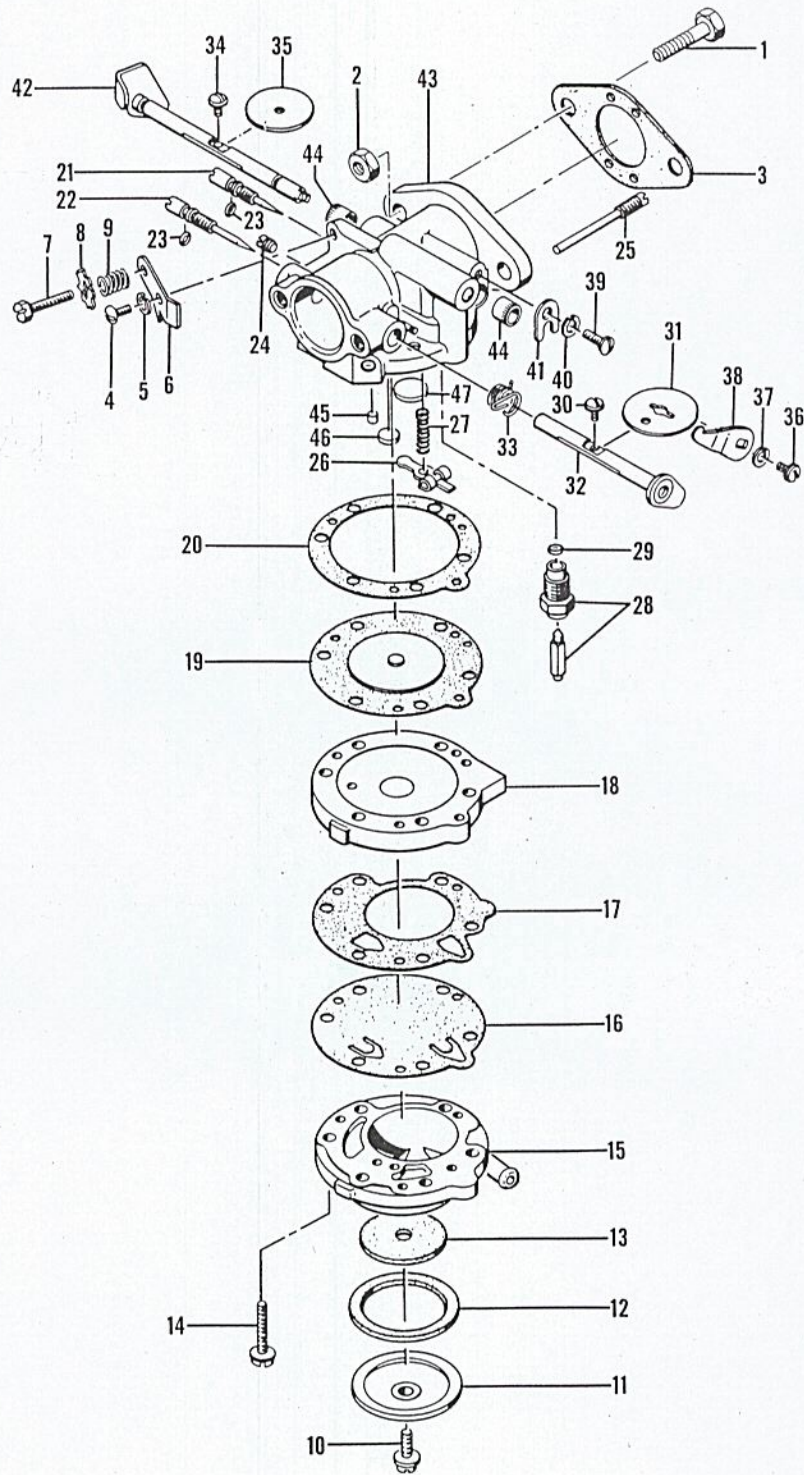


Figure 6. Tillotson Carburetor Assembly

FIGURE 6 TILLOTSON CARBURETOR ASSEMBLY

Index No.	Part Number	Nomenclature	Units Per Assy
1	100882	Screw - Hex hd 1/4-20 x 3/4 in. lg	2
2	103242	Nut - Hex 1/4-20	2
3	51161C	Gasket - Carburetor	1
	51984B	Carburetor Assy	1
4	100362	. Screw - Idle bracket retaining	1
5	100252	. Washer - Lock No. 8	1
6	51706	. Bracket - Idle screw	1
7	103845	. Screw - Hex hd 8-32 x 5/8 in. lg	1
8	51549	. Washer - Special	1
9	51705	. Spring - Idle speed regulating screw	1
10	50797	. Screw - Fuel strainer cover	1
11	50796	. Cover - Fuel strainer	1
12	50798	. Gasket - Fuel strainer cover	1
13	50795	. Element - Fuel filter	1
14	51597	. Screw - Fil hd 6-32 x 3/4 in. lg	6
15	50670	. Body - Fuel pump	1
16	57574	. Diaphragm - Fuel pump	1
17	51594	. Gasket - Fuel pump	1
18	51592	. Cover - Main fuel diaphragm	1
19	51590	. Diaphragm - Main fuel	1
20	51591	. Gasket - Main fuel diaphragm	1
21	51702	. Needle - Adjustment, idle mixture	1
22	51712	. Needle - Adjustment, main mixture	1
23	51703	. "O" Ring	2
24	51589	. Screw - Drain plug	1
25	51710	. Pin - Inlet lever fulcrum	1
26	51709	. Lever - Inlet control	1
27	51711	. Spring - Inlet control lever	1
28	51707A	. Needle, Seat, and Gasket Assy	1
29	51708	. Gasket - Needle seat	1
30	51721	. Screw - Choke shutter (SEMS)	1
31	51587	. Shutter - Choke	1
32	51585	. Shaft Assy - Choke	1
33	55511	. Spring - Torsion (choke shutter return)	1
34	51721	. Screw - Throttle shutter (SEMS)	1
35	51720	. Shutter - Throttle	1
36	51719	. Screw - Throttle lever retaining	1
37	100261	. Washer - Lock No. 4	1
38	57893	. Lever - Throttle shaft	1
39	51717	. Screw - Throttle shaft clip	1
40	100252	. Washer - Lock No. 8	1
41	51716	. Clip - Throttle shaft	1
42	55512	. Shaft Assy - Throttle	1
43	51588B	. Carburetor Body Assy (For service)	1
44	51715	. Bushing - Throttle Shaft	2
45	51582	. Plug - Body channel cup	1
46	51583	. Plug - Body channel welch, 3/8 in.	1
47	51584	. Plug - Body channel welch, 1/4 in.	1

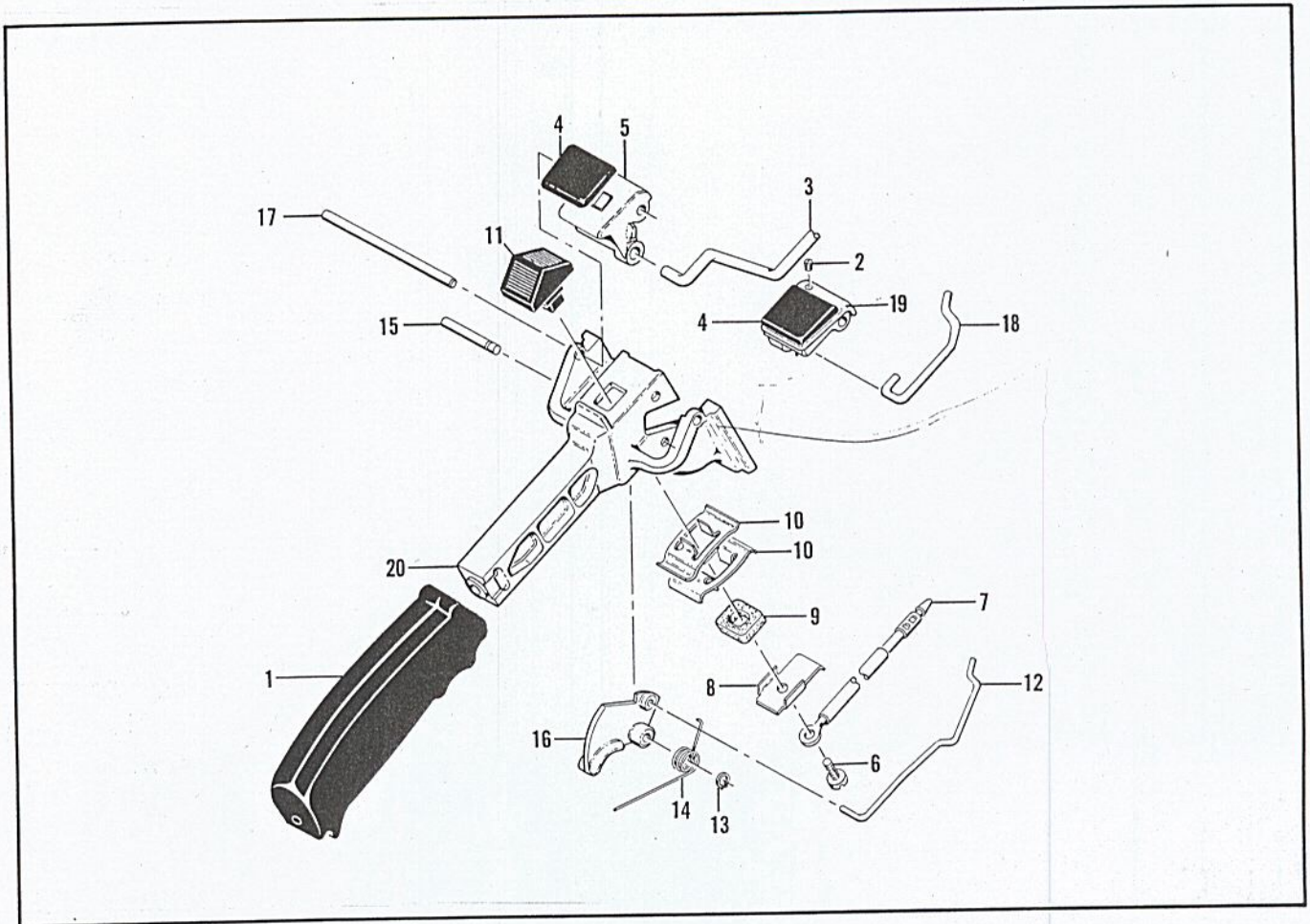


Figure 7. Handle and Control Assembly

FIGURE 7 HANDLE AND CONTROL ASSEMBLY

Index No.	Part Number	Nomenclature	Units Per Assy
	55988	Handle and Control Assembly	1
1	56624A	. Grip - Handle	1
2	104484	. Screw - Set 8-32 x 1/4 in. lg	1
3	51857A	. Pushrod - Oiler	1
4	55670	. Grommet	2
5	55969A	. Button - Oiler control	1
6	103061	. Screw - Fil hd 8-32 x 3/8 in. lg (SEMS)	1
7	51492A	. Wire Assy - Primary	1
8	51279	. Contact - Switch	1
9	51555	. Insulator - Switch	1
10	51554A	. Detent - Switch	2
11	57718	. Button - Switch	1
12	55970	. Pushrod - Throttle	1
13	104501	. Retainer - Trigger pin	1
14	55674	. Spring - Trigger return	1
15	50507	. Pin - Trigger	1
16	55616	. Trigger	1
17	51344A	. Shaft - Choke and oiler	1
18	55675A	. Pushrod - Choke	1
19	55968A	. Button - Choke control	1
20	55986	. Handle	1

TOOLS AND ACCESSORIES

Index No.	Part Number	Nomenclature	Units Per Assy
	*51445	Wrench and Screwdriver Combination	
	*57762	Owner's Manual of Operating Instructions	
	*57760	Illustrated Parts List	
	*56625A	Chain Maintenance Manual	
	*14168A	Wrench - Spark plug	
	18413A	Gauge - Feeler	
	102094	Fixture - Chain grinding	
	102449	McCulloch Yellow Paint (12 oz spray bomb type)	
	102057	McCulloch Oil (1 quart)	
	102664	McCulloch Oil (12 oz can)	
	103736	File - Round 7/32 in. diameter	
	104003	File - Round 3/16 in. diameter	
	56224A	Chain Breaker - Rivet spinner	
	56250	Depth Gauge - .025 - .040	
	56251	Depth Gauge - .045 - .060	

*Indicates items furnished with each saw.

OVERSIZE PISTON ASSEMBLY

Part Number	Nomenclature	Units Per Assy
48685	Piston Assembly - .020 oversize	
48693	Ring - Piston (set of 2) .020 oversize	