

1-71

August 1960

ILLUSTRATED PARTS LIST

The following pages contain an illustrated parts list for the Model 1-71 Chain Saw. Due to small differences between saws, it is important that the Serial Number of your saw be included whenever spare parts are ordered. This will assure receiving the proper parts from your dealer.

ILLUSTRATIONS

Figure 1. Engine Exploded View - General	Page 2
Figure 2. Fuel System Components	4
Figure 3. Starter and Clutch Assembly	6
Figure 4. Chain Oiler, Bar and Chain	8
Figure 5. Powerhead Assembly	10
Figure 6. Carburetor Assembly	12
Figure 7. Handle and Control Assembly	14

McCULLOCH
CHAIN SAW
MODEL 1-71



McCULLOCH CORPORATION
6101 West Century Boulevard, Los Angeles 45, California

#55664-1

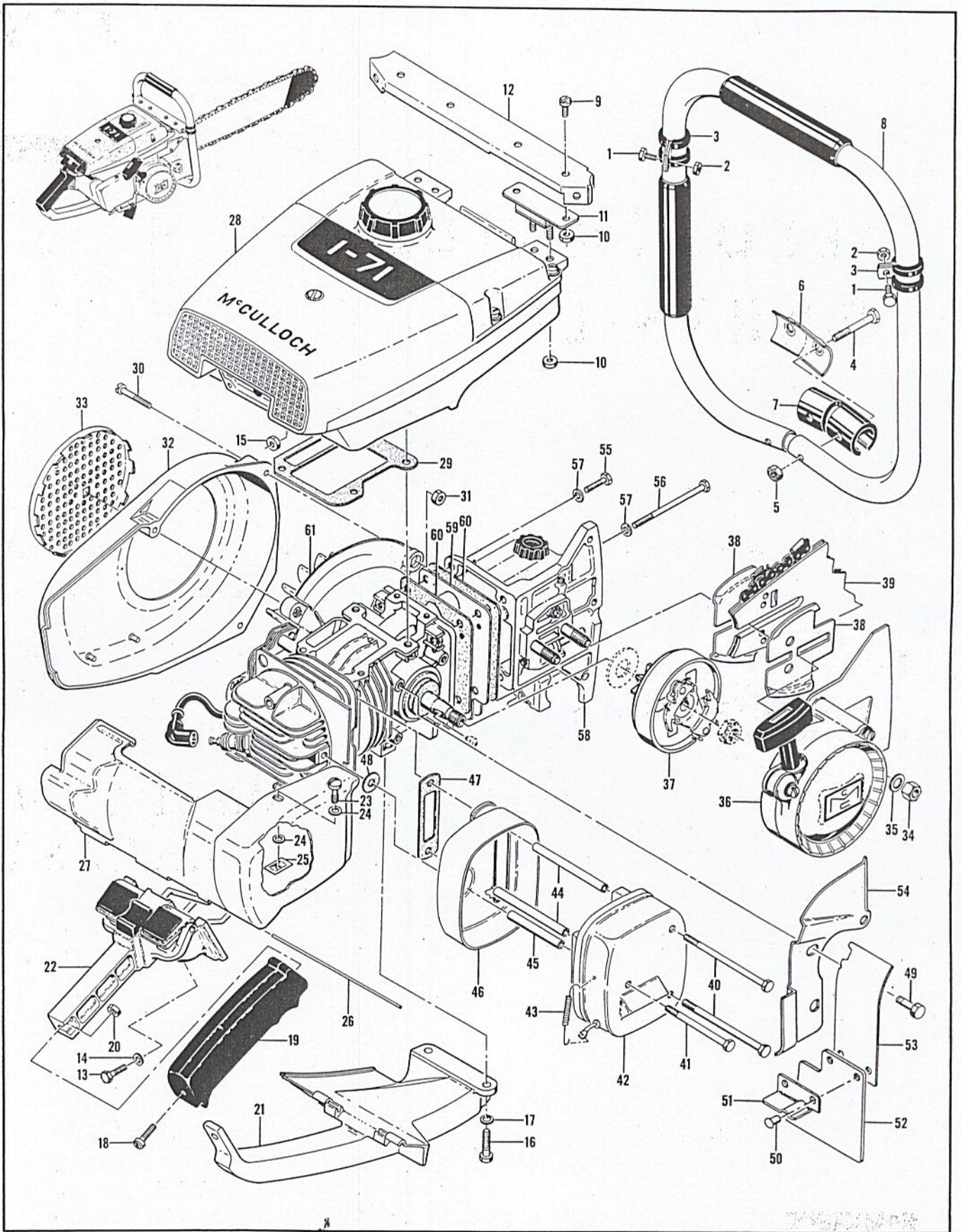


Figure 1. Engine Exploded View - General

FIGURE 1. ENGINE EXPLODED VIEW—GENERAL

Index No.	Part Number	Nomenclature	Units Per Assy
1	104396	Screw - Pan hd 10-24 x 3/4 in. lg	2
2	100239	Nut - Hex 10-24	2
3	103923	Clamp	2
4	102125	Screw - Hex hd 1/4-20 x 1-3/4 in. lg	2
5	101326	Nut - Hex 1/4-20	2
6	51362	Clamp - Frame	1
7	51364	Insulator	1
8	55802	Frame and Grip Assy	1
9	104393	Screw - Pan hd 10-24 x 3/8 in. lg	4
10	101191	Nut - Hex 10-24	8
11	55606	Mount - Shock	2
12	55637	Brace - Frame	1
13	102763	Screw - Hex hd 10-24 x 3/4 in. lg	2
14	102189	Washer	2
15	102067	Nut - Hex 10-24	2
16	102121	Screw - Hex hd 1/4-20 x 7/8 in. lg	2
17	100005	Washer	2
18	104397	Screw - Pan hd 10-24 x 7/8 in. lg	1
19	55624	Grip - Handle	1
20	102067	Nut - Hex 10-24	1
21	55399	Brace - Handle	1
22	55620	Handle and Control Assy (See figure 7)	1
23	51351	Screw - Special	1
24	100005	Washer - Plan 1/4	2
25	103741	Speednut	1
26	55021	Pin - Shroud hinge	1
27	55419	Shroud Assy - Cylinder and muffler	1
28		Fuel System Components (See figure 2)	1
29	50032B	Gasket - Bottom fuel tank	1
30	104400	Screw - Pan hd 10-24 x 1-1/4 in. lg	3
31	101191	Nut - Hex 10-24	2
32	55017B	Housing - Fan	1
33	51207	Guard - Sawdust	1
34	103729	Nut - Hex 3/8-24	2
35	100006	Washer - 3/8 in	2
36	55023C	Starter Assy (See figure 3)	1
37		Clutch, Drum and Bearing Assy (See figure 3)	1
38	51632B	Protector - Gearcase	2
39		Bar and Chain Assy (See figure 4)	1
	55838	Muffler Assy	1
40	104402	Screw - Hex hd 10-24 x 3-1/2 in. lg	2
41	104401	Screw - Hex hd 10-24 x 2-3/4 in. lg	1
42	55820	Top Assy - Muffler	1
43	55827	Spring - Muffler	1
44	55834	Spacer - Muffler (long)	2
45	55835	Spacer - Muffler (short)	1
46	55828	Bottom Assy - Muffler	1
47	36093	Gasket - Muffler	1
48	55213	Washer - Insulator	1
49	104133	Screw - 1/4-20 x 5/8 in. lg (SEMS)	3
	51991A	Guard Assy - Muffler	1
50	103819	Rivet - 3/16 dia. x 5/16 in. lg	2
51	55113	Angle	1
52	55112	Deflector	1
53	51990A	Shield - Muffler	1
54	55255	Jacket - Cylinder	1
55	103258	Screw - Hex hd 1/4-20 x 1-1/8 in. lg	2
56	102127	Screw - Hex hd 1/4-20 x 3-1/4 in. lg	2
57	100005	Washer	4
58	55854A	Oiler Housing Assy (See figure 4)	1
59	51789C	Bottom - Crankcase	1
60	50141B	Gasket - Crankcase bottom	2
61		Powerhead Assy (See figure 5)	1

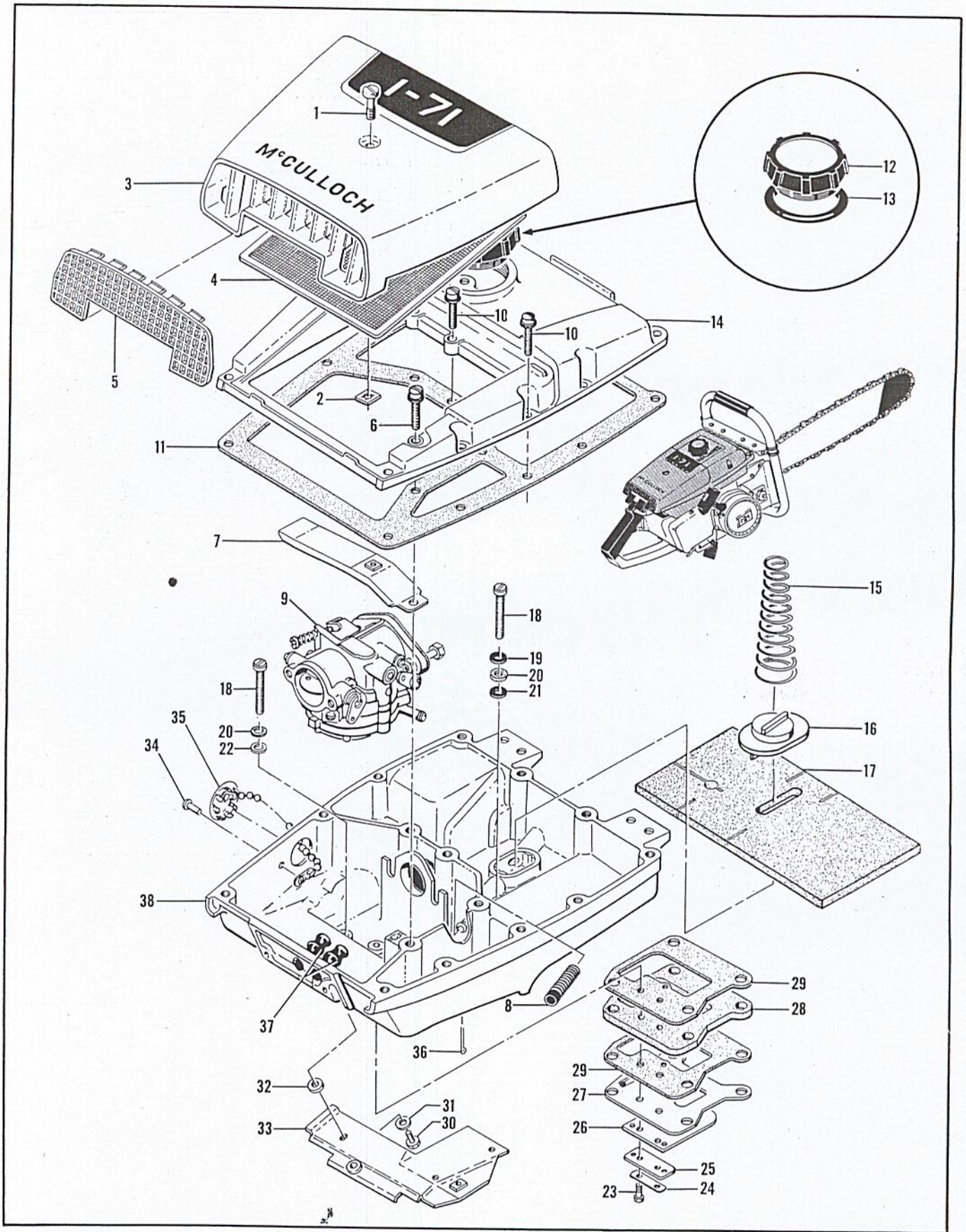


Figure 2. Fuel System Components

FIGURE 2. FUEL SYSTEM COMPONENTS

Index No.	Part Number	Nomenclature	Units Per Assy
	55626	Cover Assy - Air cleaner	1
1	55622	. Screw - Special air cleaner	1
2	103741	. Speednut	1
3		. Cover - Air cleaner	1
4	55498	Screen - Air cleaner	1
5	55659	Grill - Air cleaner cover	1
6	104396	Screw - Pan hd 10-24 x 3/4 in. lg	1
7	55634	Anchor Assy - Air cleaner	1
8	— 55857A	Hose - Fuel line	1
9		Tillotson Carburetor Assy (See figure 6)	1
10	104396	Screw - Pan hd 10-24 x 3/4 in. lg	14
11	55627	Gasket - Fuel tank	1
12	— 55934	Cap - Fuel Assy	1
13	101348	“O” Ring - Fuel cap	1
14	55588	Top - Fuel tank	1
15	55436	Spring - Wick retaining	1
16	55404	Clamp - Fuel wick	1
17	55676	Wick - Fuel tank	1
18	— 102290	Screw - Hex hd 10-24 x 1 1/8	4
19	103744	Washer - Sealing	2
20	55636	Washer - Insulating	4
21	55865	Washer - Sealing buna	2
22	100002	Washer - Plain No. 10	2
23	— 104464	Screw - Hex hd 8-32 x 7/8 in. lg	2
24	51480	Lockplate	1
25	57173	Clamp - Reed	1
26	51809A	Valve - Reed	1
27	57158	Plate - Reed	1
28	— 55886	Insulator	1
29	57145	Gasket	1
30	102941	Screw - Hex 10-24 x 1/2 in. lg	3
31	— 102189	Washer	3
32	55636	Washer - Insulating	3
33	55907	Shield Assy - Fuel tank	1
	— 55805A	Bottom Assy - Fuel tank	1
34	102808	. Rivet	1
35	51396	. Cover Assy - Adjustment hole	1
36	— 104310	. Pin - Cotter	1
37	51561	. Grommet	2
38	—	. Fuel Tank - Bottom .. (Order Fuel Tank Bottom Assy #55805A)	1

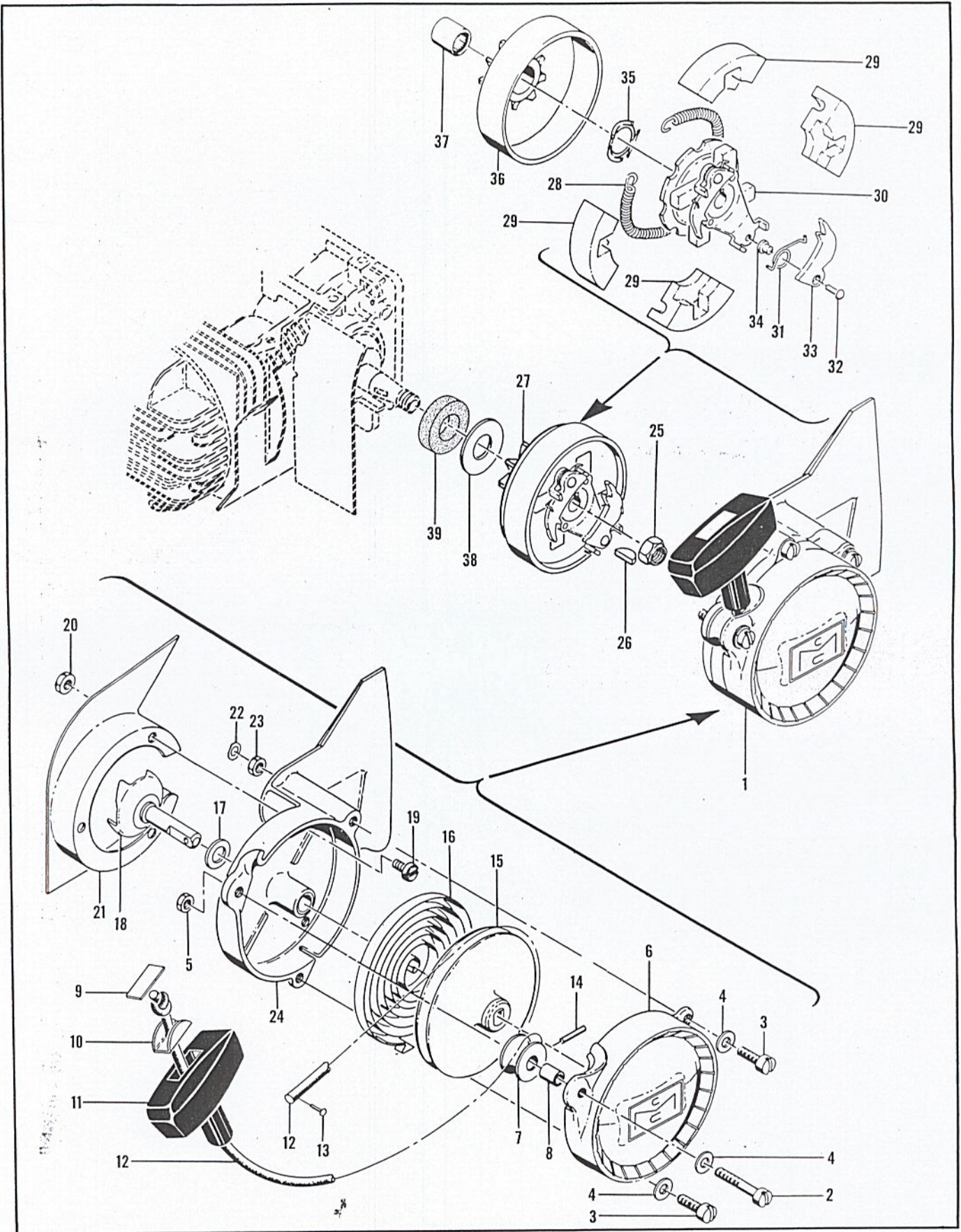


Figure 3. Starter and Clutch Assembly

FIGURE 3. STARTER AND CLUTCH ASSEMBLY

Index No.	Part Number	Nomenclature	Units Per Assy
1	55870	Starter Assy	1
2	101284	. Screw - Fil hd 10-24 x 1-1/8	1
3	102141	. Screw - Fil hd 10-24 x 5/8 in. lg	2
4	102189	. Washer - 3/8 plain	3
5	101191	. Nut - Hex 10-24	2
6	55024A	. Cover - Starter	1
7	51138	. Pulley - Starter rope	1
8	103536	. Bearing - Pulley	1
9	57232	. Plate - Starter handle	1
10	57231	. Cup - Starter handle	1
11	57230	. Handle - Starter	1
12	28716	. Rope - Starter	1
13	101136	. Rivet	1
14	103047	. Pin	1
15	55871	. Drum - Starter	1
16	51665	. Spring - Starter rewind	1
17	104457	. Washer	1
18	51923	. Shaft Assy - Starter	1
	51263B	. Base Assy - Starter	1
19	104071	. . Screw - Pan hd 8-32 x 5/16	3
20	100955	. . Nut - Hex 8-32	3
21	51459	. . Cover - Sawdust shield	1
22	28935	. . Retainer	1
23	101191	. . Nut - Hex 10-24	1
24	51261B	. . Base - Starter	1
25	103746	Nut - Flexloc	1
26	103879	Key - Woodruff	1
27	51470B	Clutch Assy	1
28	51468	. Spring - Shoe retaining	1
29	51464A	. Shoe - Clutch	4
30	52175	. Rotor Assy - Clutch, Pawl	1
31	51910	. . Spring - Pawl	2
32	103982	. . Rivet	2
33	51914	. . Pawl - Starter	2
34	51911	. . Sleeve - Starter pawl	2
35	103718	Spring - Thrust	1
36		Sprocket, Clutch and Clutch Drum Assy (See figure 4 for pitch sizes) ..	1
37	103688	. Bearing - Needle	1
38	51420	Shroud - Inner sprocket	1
39	51235	Seal - Felt sprocket	1

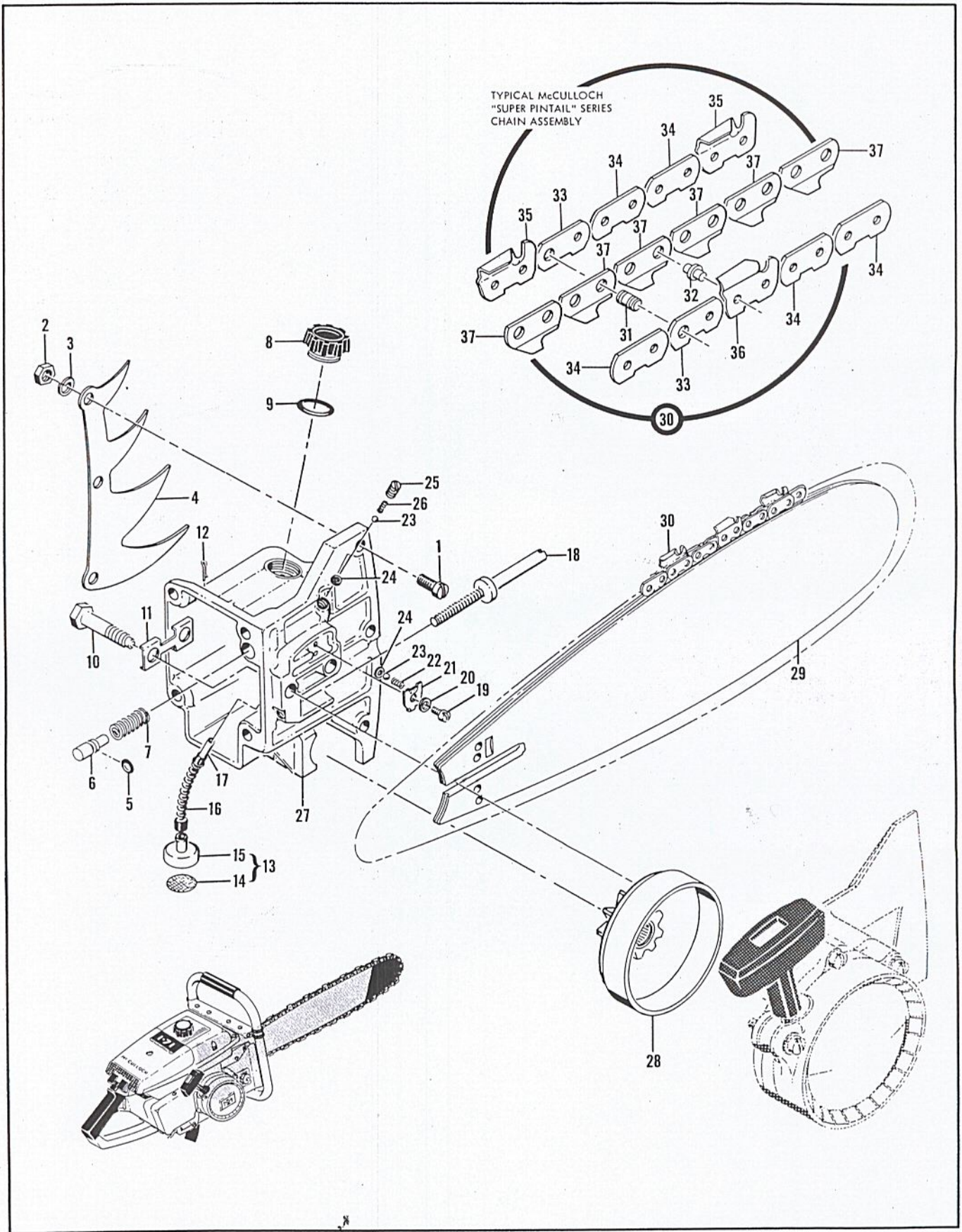


Figure 4. Chain Oiler, Bar and Chain

FIGURE 4 CHAIN OILER, BAR AND CHAIN

Index No.	Part Number	Nomenclature	Units Per Assy
1	102088	Screw - Flat hd 1/4-20 x 3/4 in. lg	3
2	100152	Nut - Hex 1/4-20	3
3	100153	Washer - Lock	3
4	51443	Spike	1
	— 55854A	Oiler Housing Assy	1
	51947	. Piston Assy - Oiler	1
5	103198	. . Packing - "O" ring	1
6	51940	. . Piston - Oiler	1
7	51946	. . Spring - Oiler	1
8	57129	. Cap - Oiler	1
9	101148	. Gasket - "O" ring	1
10	51423A	. Screw - Bar clamp	2
11	51439	. Lockplate - Oiler housing	1
12	100010	. Pin - Cotter	1
13	51505	. Weight Assy	1
14	51506	. . Screen - Oil intake	1
15	51509	. . Weight - Oil line	1
16	28007	. Hose - Flexible	1
17	28042	. Tube - Oiler	1
18	51441	. Screw - Bar adjustment	1
	— 55847A	Housing Assy - Oiler and valve	1
19	101101	. . Screw - Rd hd 8-32 x 1/4 in. lg	1
20	100057	. . Washer - Lock	1
21	51941	. . Retainer	1
22	51945	. . Spring - Valve	1
23	100549	. . Ball - Steel .188 dia.	2
24	51943	. . Seat - Ball	2
25	51942	. . Plug - Oiler pump	1
26	51944	. . Spring - Valve	1
27		. . Housing - Oiler	1
		(Order Assy #55847)	
28	*51178B	Sprocket and Clutch Drum Assy - 7/16 in. pitch (Blue)	1
	**51793B	Sprocket and Clutch Drum Assy - 1/2 in. pitch (Green) (alternate)	1
	***51774B	Sprocket and Clutch Drum Assy - .404 in. pitch (Red) (alternate)	1
29	51403A	Bar - 12 in.	1
	51405A	Bar - 18 in. (alternate)	1
	51407A	Bar - 24 in. (alternate)	1
	51409A	Bar - 30 in. (alternate)	1
30		Typical McCulloch "Super Pintail" Series Chain Assy	1
31		. Master Pin	
32		. Shoulder Rivet	
33		. Master Link	
34		. Side Link	
35		. Cutter - L.H.	
36		. Cutter - R.H.	
37		. Center Link	

*Use only with 7/16 inch pitch chain
 **Use only with 1/2 inch pitch chain
 ***Use only with .404 inch pitch chain

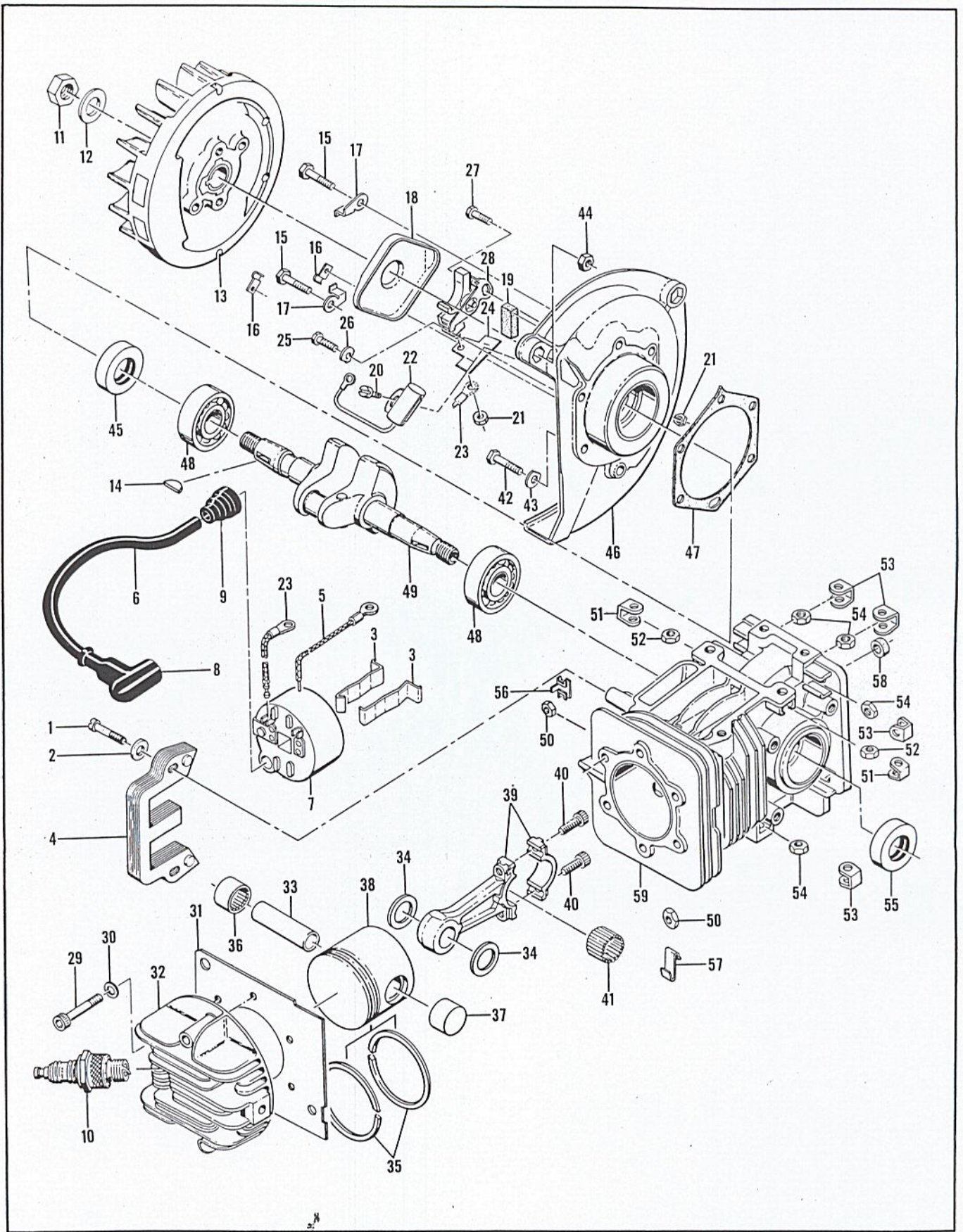


Figure 5. Powerhead Assembly

FIGURE 5. POWERHEAD ASSEMBLY

Index No.	Part Number	Nomenclature	Units Per Assy
1	101965	Screw - Fil hd 10-24 x 7/8 in. lg	2
2	100003	Washer	2
3	51253	Retainer - Coil	2
4	51251	Lamination Assy - Coil	1
	57120	Coil and Terminal Assy	1
5	101883	. Wire Assy - Ground	1
6	57121	. Wire Assy - Spark plug	1
7		. Coil Assy (Order Coil and Terminal Assy #57120)	1
8	55060	Boot - Spark plug	1
9	55617	Nipple - Spark plug	1
10		Plug - Spark 14 mm	1
11	101179	Nut - Hex 7/16	1
12	101270	Washer - Special	1
13	55780	Flywheel Assy	1
14	103879	Key - Woodruff	1
15	102763	Screw - Hex hd 10-24 x 3/4 in. lg	2
16	104230	Speednut	2
17	55767	Clamp - Breaker box cover	2
18	55766	Cover - Breaker box	1
19	54184	Wiper - Felt	1
20	103061	Screw - Fil hd 8-32 x 3/8 in. lg	1
21	100251	Nut - Hex 8-32	2
22	50074	Condenser	1
23	55613	Wire Assy - Primary	1
24	55782	Insulator	1
25	100414	Screw - Fil hd 8-32 x 1/2 in. lg	1
26	55778	Washer - Special	1
27	103061	Screw - 8-32 x 1/2 in. lg (SEMS)	1
28	55768	Breaker Assy	1
29	101563	Screw - Socket hd 10-24 x 1-1/4 in. lg	6
30	24236	Washer	6
31	55012B	Gasket	1
32	55355A	Head - Cylinder	1
33	57198	Pin - Piston	1
34	51209	Washer - Thrust	2
	55310A	Piston Assy (Also see Oversize Assy - Page 19)	1
35	55123	. Ring - Piston (Set of 2 rings - chrome top ring)	1
36	101206	. Bearing - Needle	1
37	104378	. Bearing - Needle (Closed end)	1
38		. Piston (Order Piston Assy #55310A)	1
39	55009	Connecting Rod Assy	1
40	101356	. Screw - Socket hd 10-32 x 5/8 in. lg	2
41	102742	. Roller - Needle	24
42	102763	Screw - Hex hd 10-24 x 3/4 in. lg	4
43	36388	Lockplate	4
	55878	Crankcase Cover Assy	1
44	101326	. Nut - Hex 10-24	1
45	50663	. Seal - Oil	1
46		. Cover - Crankcase (Order Assy #55878)	1
47	51240	Gasket - Crankcase cover	1
48	100824	Bearing - Ball	2
49	55765	Crankshaft	1
	55557	Cylinder Assy - Crankcase	1
50	101326	. Nut - Hex 10-24	6
51	28053	. Retainer - Nut	2
52	101326	. Nut - Hex 10-24	2
53	18556A	. Retainer - Nut	6
54	101143	. Nut - Hex 1/4-20	6
55	104432	. Seal - Oil	1
56	104255	. Retainer - Nut	2
57	57063	. Retainer - Nut	4
58	55449	. Washer - Felt	1
59		. Cylinder - Crankcase (Order Assy #55557)	1

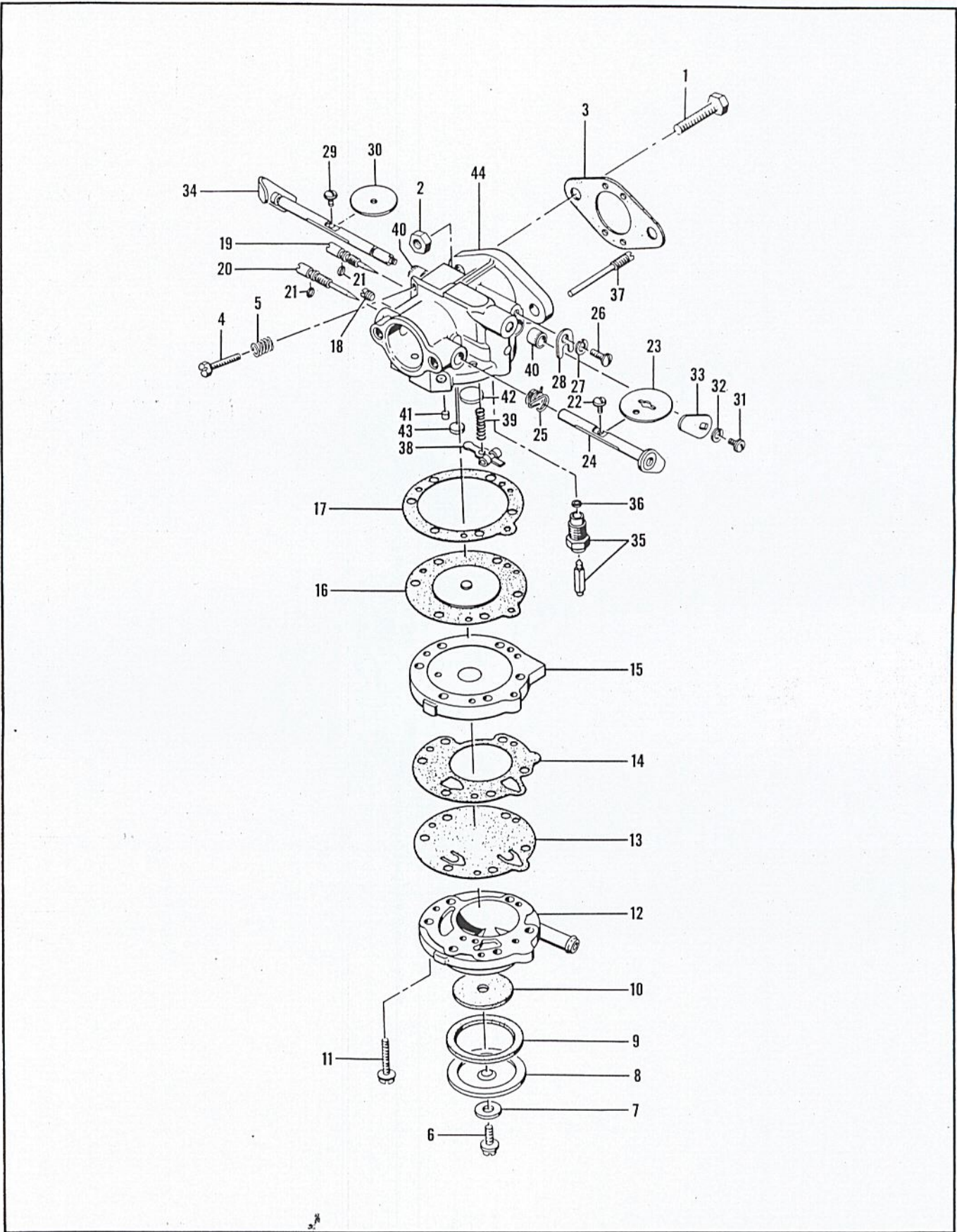


Figure 6. Carburetor Assembly

FIGURE 6. CARBURETOR ASSEMBLY

Index No.	Part Number	Nomenclature	Units Per Assy
1	102121	Screw - Hex hd 1/4-20 x 3/4 in. lg	2
2	103242	Nut - Hex 1/4 - 20	2
3	51161C	Gasket - Carburetor	1
	55874	Tillotson Carburetor Assy	1
4	*50799	. Screw - Idle speed regulating	1
5	*51705	. Spring - Idle speed regulating screw	1
6	*50797	. Screw - Fuel strainer cover retaining	1
7	50798	. Gasket - Fuel strainer cover retaining	1
8	50796	. Cover - Fuel strainer	1
9	51704	. Gasket - Fuel strainer cover	1
10	*50795	. Element - Fuel strainer ..	1
11	51597	. Screw and Lockwasher - Fuel pump body	6
12	50670	. Body - Fuel pump	1
13	51595	. Diaphragm - Fuel pump	1
14	*51594	. Gasket - Fuel pump	1
15	51592	. Cover - Diaphragm	1
16	*51590	. Diaphragm	1
17	51591	. Gasket - Diaphragm	1
18	51589	. Drain Screw - Diaphragm chamber	1
19	*51702	. Screw - Idle adjustment	1
20	*51712	. Screw - Main adjustment	1
21	51703	. Seal ring	2
22	51721	. Screw and Lockwasher - Choke shutter	1
23	51587	. Shutter - Choke	1
24	50789	. Shaft and Lever - Choke	1
25	55511	. Spring - Choke shaft return	1
26	51717	. Screw - Throttle shaft clip	1
27	100252	. Lockwasher - Throttle shaft clip	1
28	51716	. Clip - Throttle shaft	1
29	*51721	. Screw and Lockwasher - Throttle shutter	1
30	51720	. Shutter - Throttle	1
31	51719	. Screw - Throttle governor lever	1
32	100261	. Lockwasher - Throttle governor lever	1
33	50804	. Lever - Throttle governor	1
34	50803	. Throttle Shaft and Lever	1
35	*51707	. Seat and Needle	1
36	51708	. Gasket - Inlet seat	1
37	*51710	. Screw - Inlet control lever pinion	1
38	*51709	. Lever - Inlet control	1
39	51711	. Spring - Inlet tension	1
	55880	. Carburetor Body Assy (For service)	1
40	51715	. . Bushing - Throttle shaft	2
41	*51582	. . Plug - Body channel cup	1
42	*51583	. . Plug - Body channel welch	1
43	*51584	. . Plug - Body channel welch	1
44		. . Carburetor Body	1
	*50806	Gasket and Packing Set	1
	50807	Repair Parts Kit	1

*Indicates contents of Repair Parts Kit.

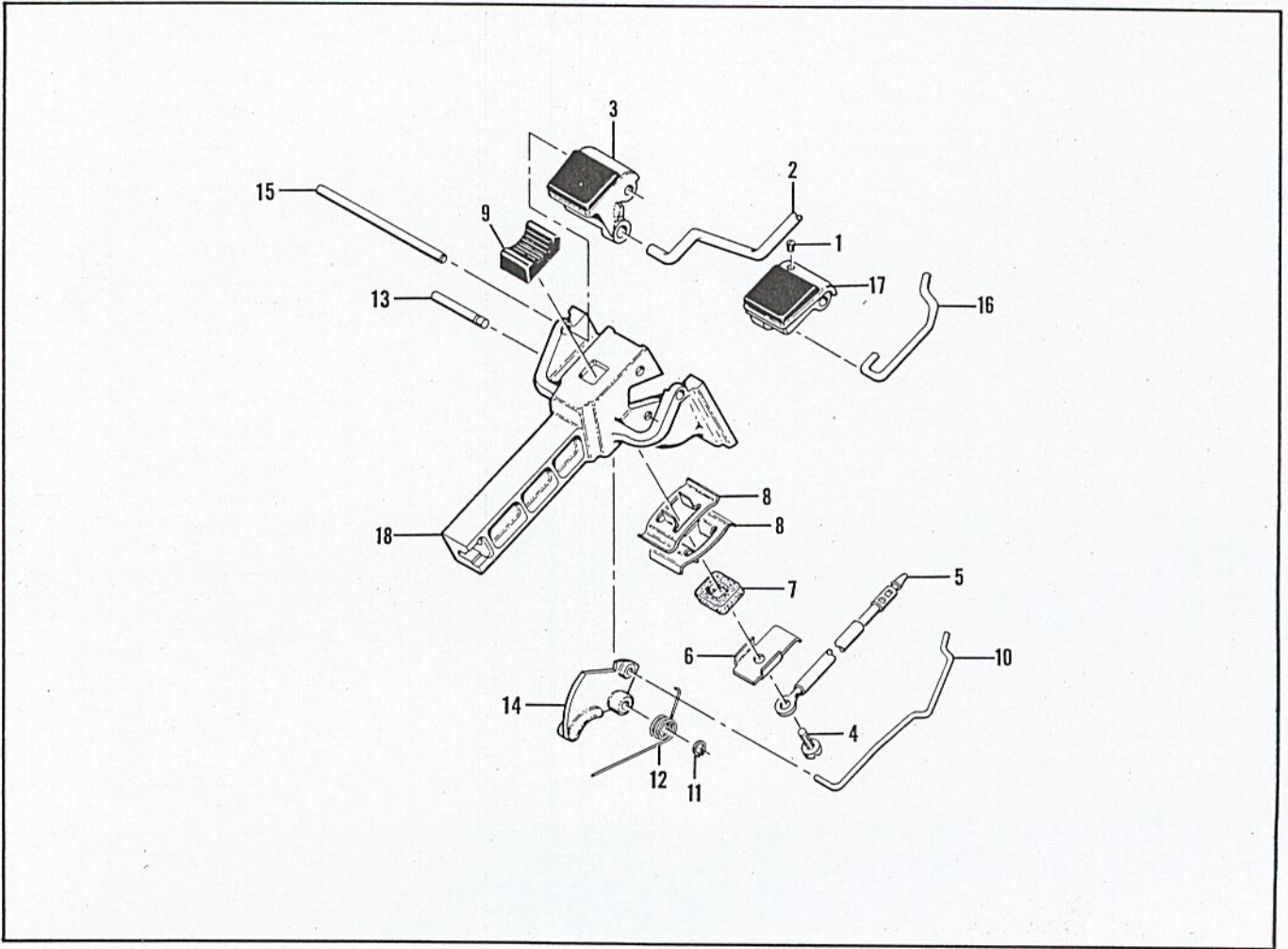


Figure 7. Handle and Control Assembly

FIGURE 7 HANDLE AND CONTROL ASSEMBLY

Index No.	Part Number	Nomenclature	Units Per Assy
	55620	Handle and Control Assembly	1
1	103724	. Screw - Set 10-32 x 3/16 in. lg.....	1
2	51857A	. Pushrod - Oiler	1
3	55786	. Button Assy - Oiler control.....	1
4	103061	. Screw - Fil hd 8-32 x 3/8 in. lg (SEMS)	1
5	55613	. Wire Assy - Primary	1
6	51279	. Contact - Switch	1
7	51555	. Insulator - Switch	1
8	51554	. Detent - Switch	2
9	51553A	. Button - Switch	1
10	55873	. Pushrod - Throttle	1
11	104231	. Retainer - Trigger pin	1
12	55674	. Spring - Trigger return	1
13	50507	. Pin - Trigger	1
14	55616	. Trigger	1
15	51344A	. Shaft - Choke and oiler	1
16	55675A	. Pushrod - Choke	1
17	55787	. Button Assy - Choke control	1
18		. Handle (Order Handle and Control Assy #55620)	1

TOOLS AND ACCESSORIES

Index No.	Part Number	Nomenclature	Units Per Assy
	*51445	Wrench and Screwdriver Combination	
	*55666	Owner's Manual of Operating Instructions	
	*55664	Illustrated Parts List	
	*14168A	Wrench - Spark plug	
	18413A	Gauge - Feeler	
	102094	Fixture - Chain grinding	
	102449	McCulloch Yellow Paint (12 oz spray bomb type)	
	102057	McCulloch Oil (1 quart)	
	102664	McCulloch Oil (12 oz can)	
	103736	File - Round 7/32 in. diameter	
	104003	File - Round 3/16 in. diameter	
	56224A	Chain Breaker - Rivet spinner	
	56250	Depth Gauge - .025 - .040	
	56251	Depth Gauge - .045 - .060	

*Indicates items furnished with each saw.

OVERSIZE PISTON ASSEMBLY

Part Number	Nomenclature	Units Per Assy
55323A	Piston Assembly - .020 oversize	
55125	Ring - Piston (set of 2) .020 oversize	