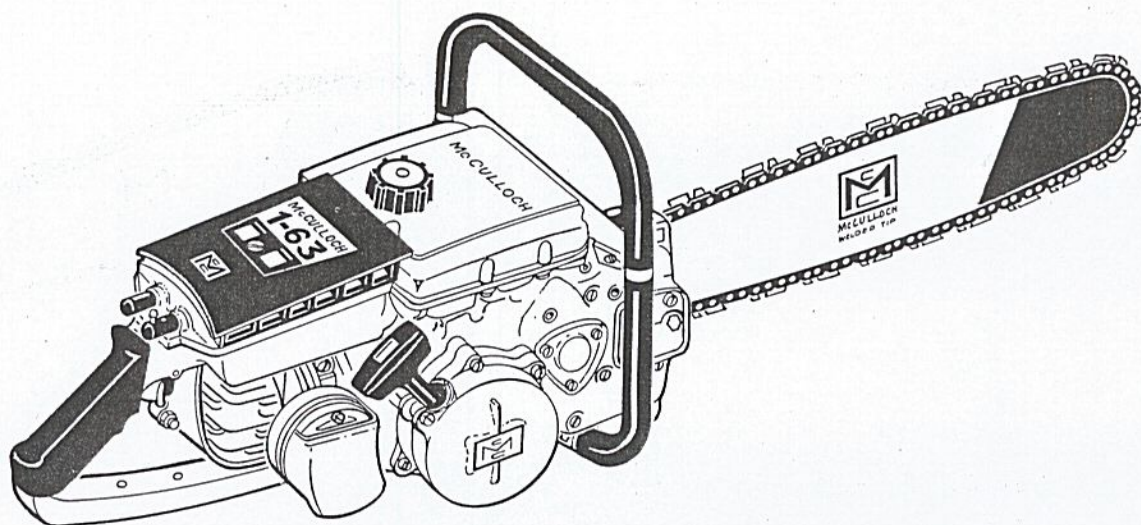


ILLUSTRATED PARTS LIST

AUGUST 1962



The following pages contain an illustrated parts list for the Model 1-63 Chain Saw. Due to small differences between saws, it is important that the Serial Number of your saw be included whenever spare parts are ordered. This will assure receiving the proper parts from your dealer.

	Page
Figure 1. Engine Exploded View - General.....	2
Figure 2. Fuel Tank and Crankcase Cover Assemblies	4
Figure 3. Air Box and Tillotson Carburetor Assemblies	6
Figure 4. Starter and Clutch Assemblies	8
Figure 5. Transmission Assembly	10
Figure 6. Powerhead Assembly.....	12
Figure 7. Lockplate Adjusting Assembly, Bar and Chain	14



McCULLOCH CORPORATION
 6101 West Century Boulevard,
 Los Angeles 45, California

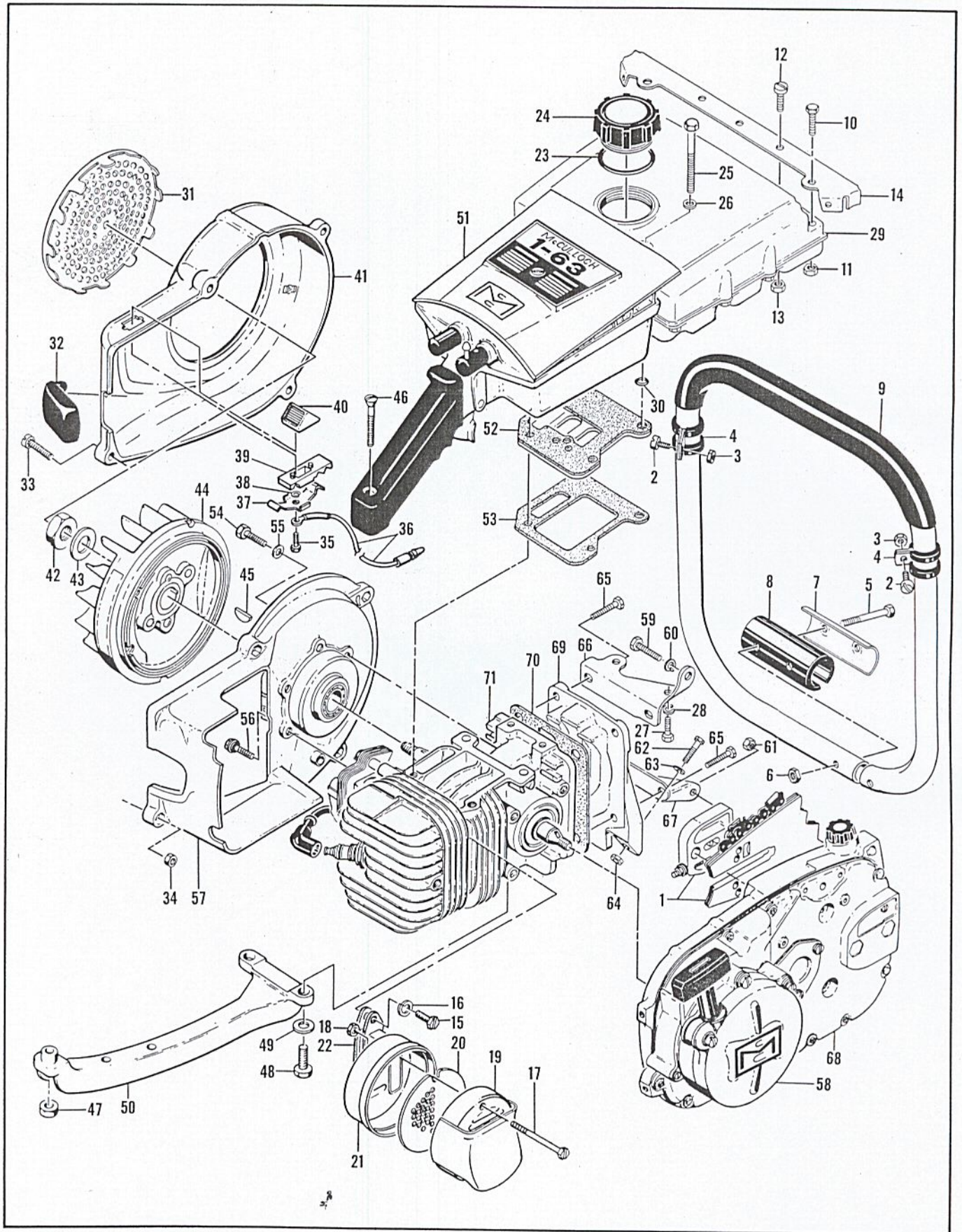


Figure 1. Engine Exploded View - General

FIGURE 1. ENGINE EXPLODED VIEW—GENERAL

Index No.	Part Number	Nomenclature	Units Per Assy
1		Bar, Chain and Lockplate Adjusting Assy (See figure 7)	1
2	102763	Screw - Hex hd 10-24 x 3/4 in. lg	2
3	100239	Nut - Hex 10-24	2
4	103923	Clamp	2
5	102125	Screw - Hex hd 1/4-20 x 1-3/4 in. lg	2
6	101143	Nut - Hex 1/4-20	2
7	51660	Clamp - Frame	1
8	50062	Insulator	1
9	57994A	Frame and Grip Assy	1
10	102121	Screw - Hex hd 1/4-20 x 7/8 in. lg	2
11	103242	Nut - Hex 1/4-20	2
12	104396	Screw - Pan hd 10-24 x 3/4 in. lg	3
13	101191	Nut - Hex 10-24	3
14	50765	Brace - Frame	1
15	102388	Screw - Hex hd 10-24 x 5/8 in. lg	2
16	103100	Lockwasher	2
	51966	Muffler Assy	1
17	103361	. Screw - Hex hd 10-24 x 1-5/8 in. lg	2
18	101191	. Nut - Hex 10-24	2
19	51979	. Top Assy	1
20	51968	. Baffle Assy	1
21	51975	. Bottom Assy	1
22	36093A	Gasket	1
23	101348	"O" Ring	1
24	55934A	Cap - Fuel	1
25	103678	Screw - Hex hd 10-24 x 3 in. lg	2
26	24236	Washer - Plain	2
27	100882	Screw - Hex hd 1/4-20 x 3/4 in. lg	2
28	100153	Washer - Lock	2
29		Fuel Tank Assy (See figure 2)	1
30	50832A	Washer - Mounting	4
31	55615	Guard - Flywheel	1
32	57565	Cover - Spark plug	1
33	104815	Screw - Hex hd 10-24 x 7/8 in. lg (SEMS)	4
34	101191	Nut - Hex 10-24	2
	57441C	Fan Housing Assy	1
35	103061	. Screw - Fil hd 8-32 x 3/8 in. lg (SEMS)	1
36	53490	. Wire Assy - Stop switch	1
37	59592	. Contact - Switch	1
38	100057	. Washer - Lock	1
39	59591	. Base - Switch	1
40	57718	. Button - Switch	1
41		. Housing - Fan (Order Fan Housing Assy #57441C)	1
42	101179	Nut - Hex 7/16	1
43	101270	Washer - Special	1
44	57825	Flywheel Assy	1
45	100199	Key - Woodruff #3	1
46	104435	Screw - Oval hd 10-24 x 1-3/4 in. lg	1
47	101191	Nut - Hex 10-24	1
48	100882	Screw - Hex hd 1/4-20 x 3/4 in. lg	2
49	100004	Washer - Plain 1/4 in.	2
50	50041	Brace - Handle	1
51		Air Box and Carburetor Assy (See figure 3)	1
52		Reed Plate Assy (See figure 3)	1
53	57657	Insulator - Reed plate	1
54	102289	Screw - Hex hd 10-24 x 3/4 in. lg	4
55	102189	Washer - Plain #10	3
56	55494	Screw - Sealing 10-24 x 3/4 in. lg	2
57		Crankcase Cover Assy (See figure 2)	1
58		Starter and Clutch Assy (See figure 4)	1
59	100882	Screw - Hex hd 1/4-20 x 3/4 in. lg	1
60	100153	Washer - Lock 1/4 in.	1
61	100640	Nut - Hex 1/4-28	1
62	100882	Screw - Hex hd 1/4-20 x 3/4 in. lg	1

#53534
7-62 ①

This list is continued on page 5

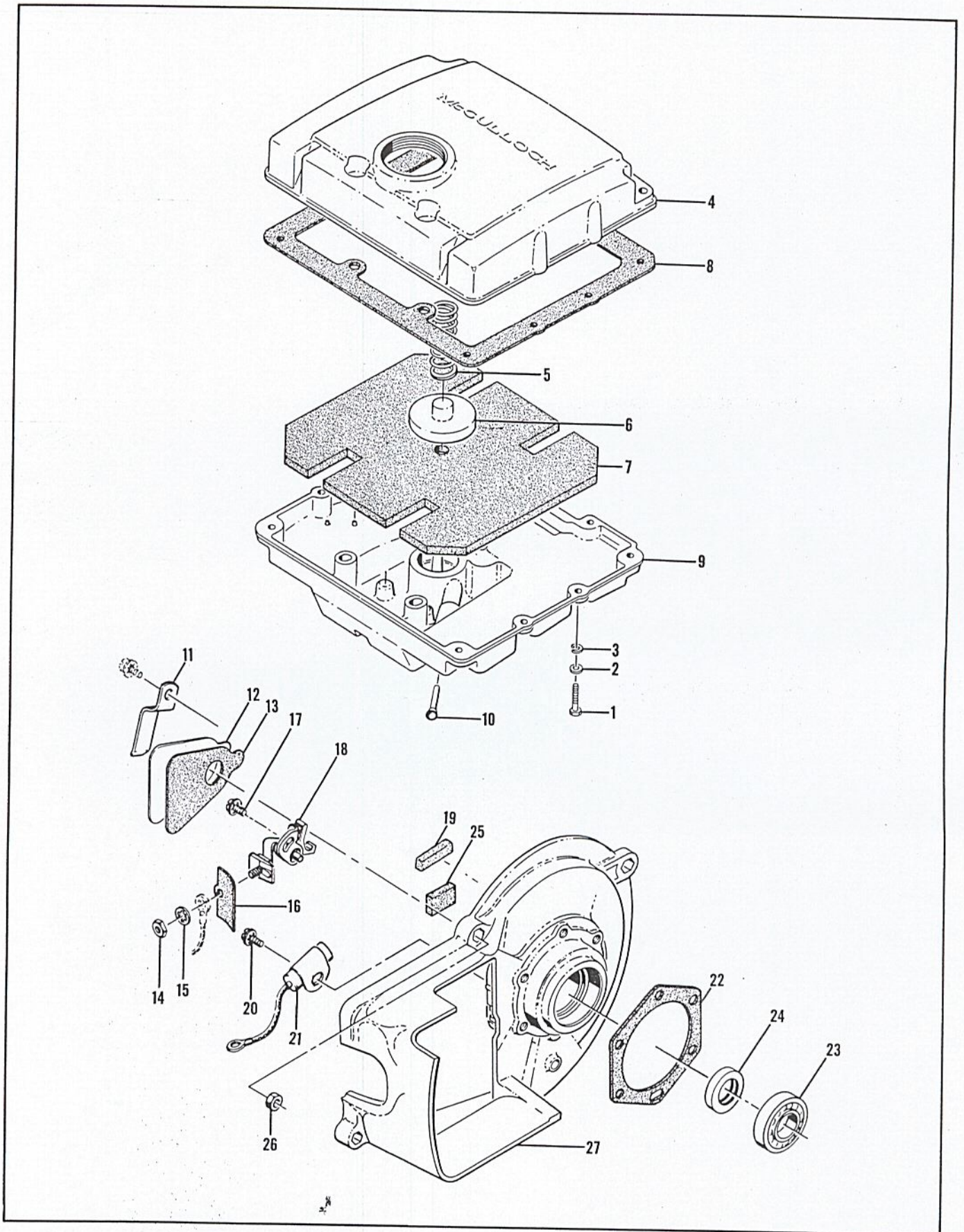


Figure 2. Fuel Tank and Crankcase Cover Assemblies

FIGURE 1. ENGINE EXPLODED VIEW — GENERAL (CONT)

Index No.	Part Number	Nomenclature	Units Per Assy
63	100005	Washer - 1/4 in.	1
64	101143	Nut - Hex 1/4-20	1
65	101982	Screw - Hex hd 1/4-20 x 1 in. lg	4
66	51795A	Brace - Gearcase top	1
67	55537	Brace - Gearcase bottom	1
68		Transmission Assy (See figure 5)	1
69	53473	Cover - Crankcase bottom	1
70	58166A	Gasket - Bottom	1
71		Powerhead Assy (See figure 6)	1

FIGURE 2. FUEL TANK AND CRANKCASE COVER ASSEMBLIES

Index No.	Part Number	Nomenclature	Units Per Assy
	57475	Tank Assy - Fuel	1
1	102763	. Screw - Hex hd 10-24 x 3/4 in. lg	6
2	24236	. Washer - Plain	6
3	101194	. Washer - Lock	6
4	50731A	. Cover - Fuel tank	1
5	36240A	. Spring - Fuel tank	1
6	36239	. Cap - Fuel wick	1
7	50762A	. Wick - Fuel pickup	1
8	50831	. Gasket - Fuel tank	1
9	57543	. Bottom Assy - Fuel tank	1
10	57590	. Tube - Fuel	1
11	50671	Retainer - Breaker box cover	1
12	50588	Cover - Breaker box	1
13	50589	Gasket - Breaker box	1
14	100251	Nut - 8-32	1
15	100057	Washer - Lock #8 internal	1
16	50381A	Insulator - Breaker terminal	1
17	103672	Screw - 8-32 x 1/2 in. lg (SEMS)	1
18	50076A	Breaker Assy	1
19	50664	Felt - Breaker box	1
20	103672	Screw - 8-32 x 1/2 in. lg (SEMS)	1
21	50074	Condenser	1
22	51240	Gasket - Crankcase cover	1
23	100824	Bearing - Ball	1
	57126A	Cover Assy - Crankcase	1
24	50663	. Seal - Oil	1
25	54184	. Wiper - Felt	1
26	101326	. Nut - Hex 10-24	2
27		. Cover - Crankcase (Order Crankcase Cover Assy #57126A)	1

FIGURE 3. AIR BOX AND TILLOTSON CARBURETOR ASSEMBLIES

Index No.	Part Number	Nomenclature	Units Per Assy
1	53532	Nameplate - Model 1-63	1
2	50674	Nut - Air cleaner attaching	1
3	50822	Cover Assy - Air cleaner	1
4	55497	Screen Assy - Air cleaner	1
5	102121	Screw - Hex hd 1/4-20 x 7/8 in. lg	2
6	103242	Nut - Hex 1/4-20	2
7	50123B	Gasket - Adapter-to-airbox	1

This list is continued on page 7

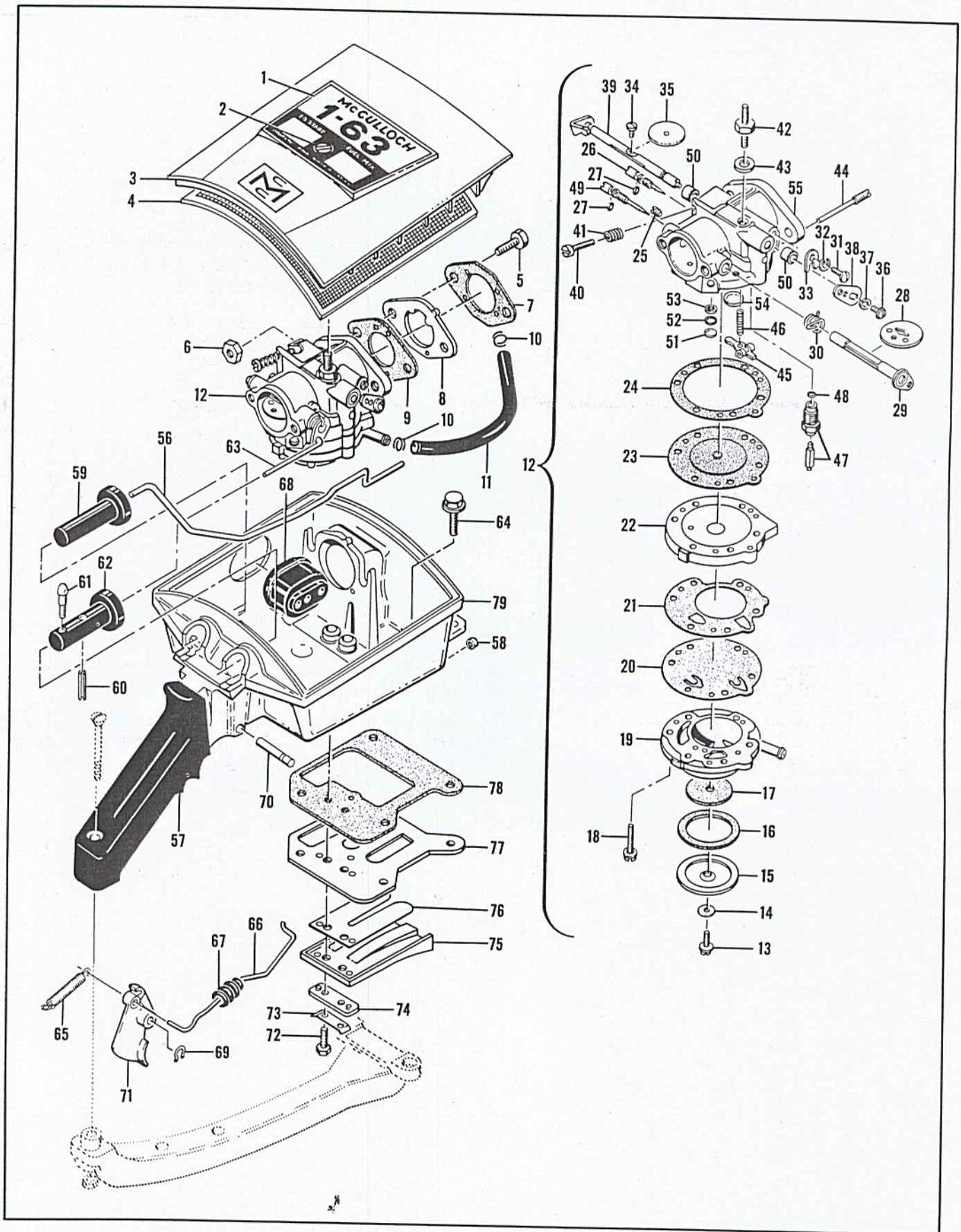


Figure 3. Air Box and Tillotson Carburetor Assemblies

FIGURE 3. AIR BOX AND TILLOTSON CARBURETOR ASSEMBLIES (CONT)

Index No.	Part Number	Nomenclature	Units Per Assy
8	50686A	Adapter - Carburetor	1
9	55519A	Gasket - Carburetor	1
10	50742	Clamp - Fuel hose	2
11	50995	Hose - Fuel	1
12	50687D	Tillotson Carburetor Assy	1
13	50797	. Screw - Fuel strainer cover retaining	1
14	50798	. Gasket - Fuel strainer cover screw	1
15	50796	. Cover - Fuel strainer	1
16	51704	. Gasket - Fuel strainer cover	1
17	*53717	. Element - Fuel strainer	1
18	51597	. Screw - 6-32 x 13/16 in. lg (SEMS)	6
19	50670	. Body - Fuel pump	1
20	57574	. Diaphragm - Fuel pump	1
21	*51594	. Gasket - Fuel pump	1
22	51592	. Cover - Diaphragm	1
23	*51590A	. Diaphragm	1
24	51591A	. Gasket - Diaphragm	1
25	51589	. Screw - Drain plug	1
26	*51702	. Screw - Idle adjustment	1
27	51703	. "O" Ring	2
28	53813	. Shutter- Choke	1
29	53814	. Shaft Assy - Choke	1
30	51586	. Spring - Choke shaft	1
31	51717	. Screw - Flat hd 8-32 x 5/16 in. lg	1
32	100252	. Lockwasher - #8	1
33	51716	. Clip - Throttle shaft	1
34	*51721	. Screw - 4-40 x 1/4 in. lg	1
35	51720	. Shutter - Throttle	1
36	51719	. Screw - 4-36 x 1/4 in. lg	1
37	100261	. Lockwasher - #4	1
38	51718	. Lever - Throttle	1
39	50803A	. Shaft Assy - Throttle	1
40	*50799	. Screw - Idle speed adjusting	1
41	*51705	. Spring - Idle speed	1
42	50785	. Stud - Carburetor	1
43	50786A	. Gasket - Stud	1
44	*51710	. Pin Assy - Fulcrum	1
45	*51709	. Lever - Inlet control	1
46	51711	. Spring - Inlet tension	1
47	*51707A	. Needle and Seat (Matched)	1
48	51708	. Gasket - Inlet seat	1
49	50779C	. Carburetor Body Assy	1
50	*53718	. Screw - Main adjustment	1
51	51715	. Bushing - Throttle shaft	2
52	*57653	. Plug - Body channel cup	1
53	57652	. Ring - Screen retaining	1
54	57651	. Screen - Carburetor body	1
55	*51583	. Plug - Body channel welch	1
		. Body - Carburetor	1
	*50806	Gasket and Packing Set	1
	53719	Repair Parts Kit	1
56	57817	Pushrod - Oiler	1
57	57834	Grip - Handle	1
58	55449A	Seal - Chain oiler	1
59	50591B	Button - Oiler	1
60	101556	Pin - Roll 1/8 x 5/8 in. lg	1
61	50776	Screw - Special	1
62	50777B	Button - Choke	1
63	57134	Rod - Choke	1

*Indicates contents of Repair Parts Kit #53719

This list is continued on page 9

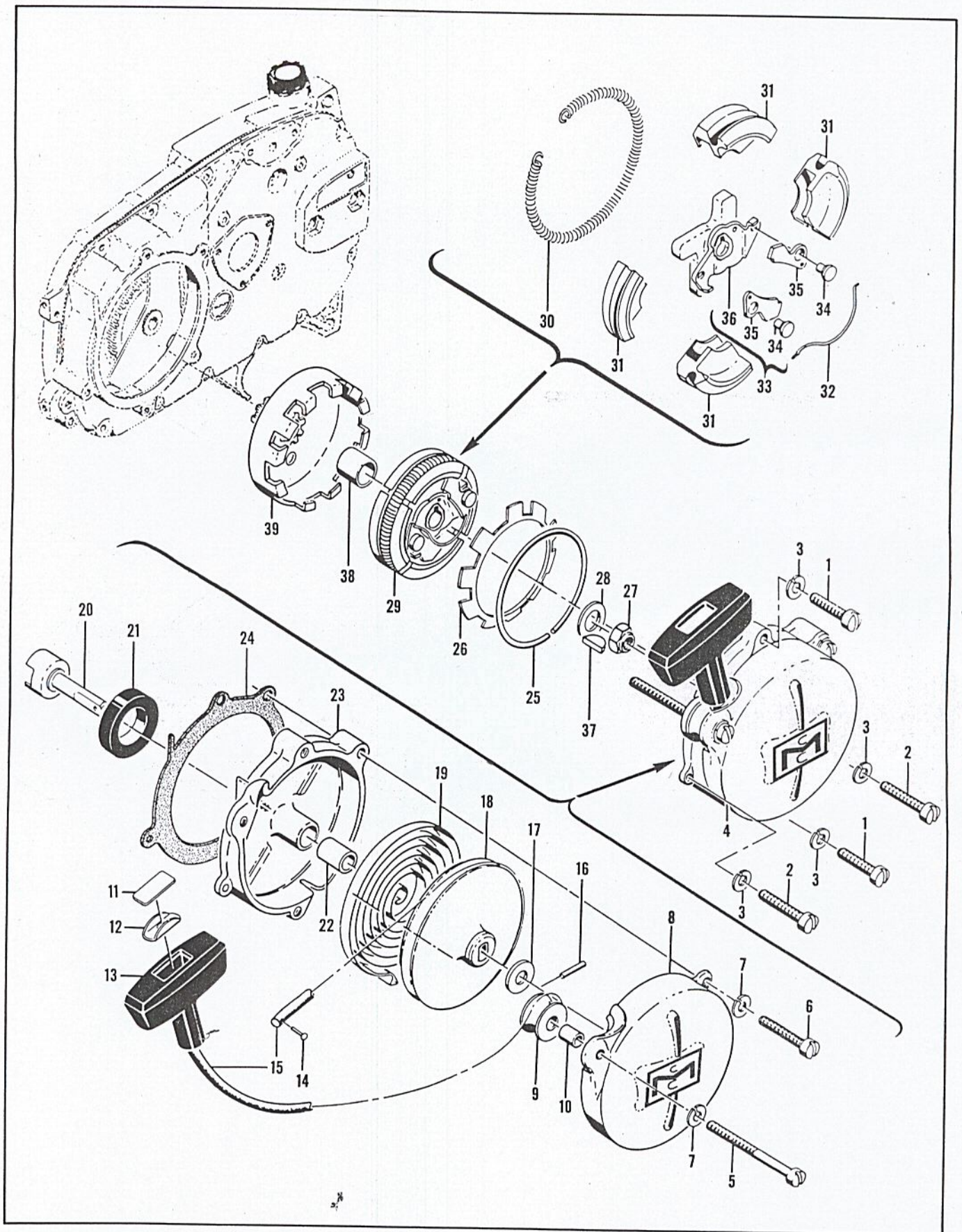


Figure 4. Starter and Clutch Assemblies

FIGURE 3. AIR BOX AND TILLOTSON CARBURETOR ASSEMBLIES (CONT)

Index No.	Part Number	Nomenclature	Units Per Assy
64	104138	Screw - Hex hd 10-24 x 7/8 in. lg (SEMS)	2
	57449D	Air Box Assy.....	1
65	36499	. Spring - Throttle	1
66	50684	. Rod - Throttle	1
67	51561A	. Grommet - Throttle	1
68	57105	. Grommet - Carburetor controls.....	1
69	104501	. Retainer - Pin	1
70	50507	. Pin	1
71	50091B	. Trigger	1
72	103740	. Screw - Hex hd 8-32 x 5/8 in. lg	2
73	51480	. Lockplate	1
74	57658	. Clamp - Reed	1
75	57654	. Deflector - Fuel	1
76	51809A	. Valve - Reed	1
77	57656B	. Plate - Reed	1
78	57145	. Gasket - Air box	1
79		. Air box..... (Order Air box Assy #57449D)	1

FIGURE 4. STARTER AND CLUTCH ASSEMBLIES

Index No.	Part Number	Nomenclature	Units Per Assy
1	102212	Screw - Fil hd 10-24 x 1-3/4 in. lg	2
2	102135	Screw - Fil hd 10-24 x 2 in. lg	2
3	100240	Washer - Lock #10	4
4	55129C	Starter Assy	1
5	103840	. Screw - Fil hd 10-24 x 3-1/2 in. lg	1
6	102135	. Screw - Fil hd 10-24 x 2 in. lg	1
7	100240	. Washer - Lock	2
8	55024B	. Cover - Starter	1
9	51138	. Pulley - Starter rope	1
10	103536	. Bearing - Pulley	1
11	57232	. Plate - Starter handle.....	1
12	57231	. Cup - Starter handle	1
13	57230	. Handle - Starter	1
14	101136	. Rivet	1
15	28716	. Rope	1
16	103047	. Pin	1
17	104457	. Washer	1
18	55871	. Drum - Starter	1
19	51665	. Spring - Rewind	1
20	55110	. Shaft - Starter	1
21	104439	. Seal.....	1
	51649B	. Base Assy - Starter	1
22	55591	. . Bearing - Starter base	1
23		. . Base - Starter	1
		(Order Base Assy #51649B)	
24	55983	Gasket - Starter base	1
25	53294	Ring - Retaining 0.040 in.	1
	53295	Ring - Retaining 0.047 in.	alternate
	53296	Ring - Retaining 0.055 in.	alternate
	53297	Ring - Retaining 0.063 in.	alternate
	53298	Ring - Retaining 0.071 in.	alternate
	53299	Ring - Retaining 0.080 in.	alternate
	53300	Ring - Retaining 0.090 in.	alternate
	53301	Ring - Retaining 0.106 in.	alternate
	53302	Ring - Retaining 0.118 in.	alternate

This list is continued on page 11

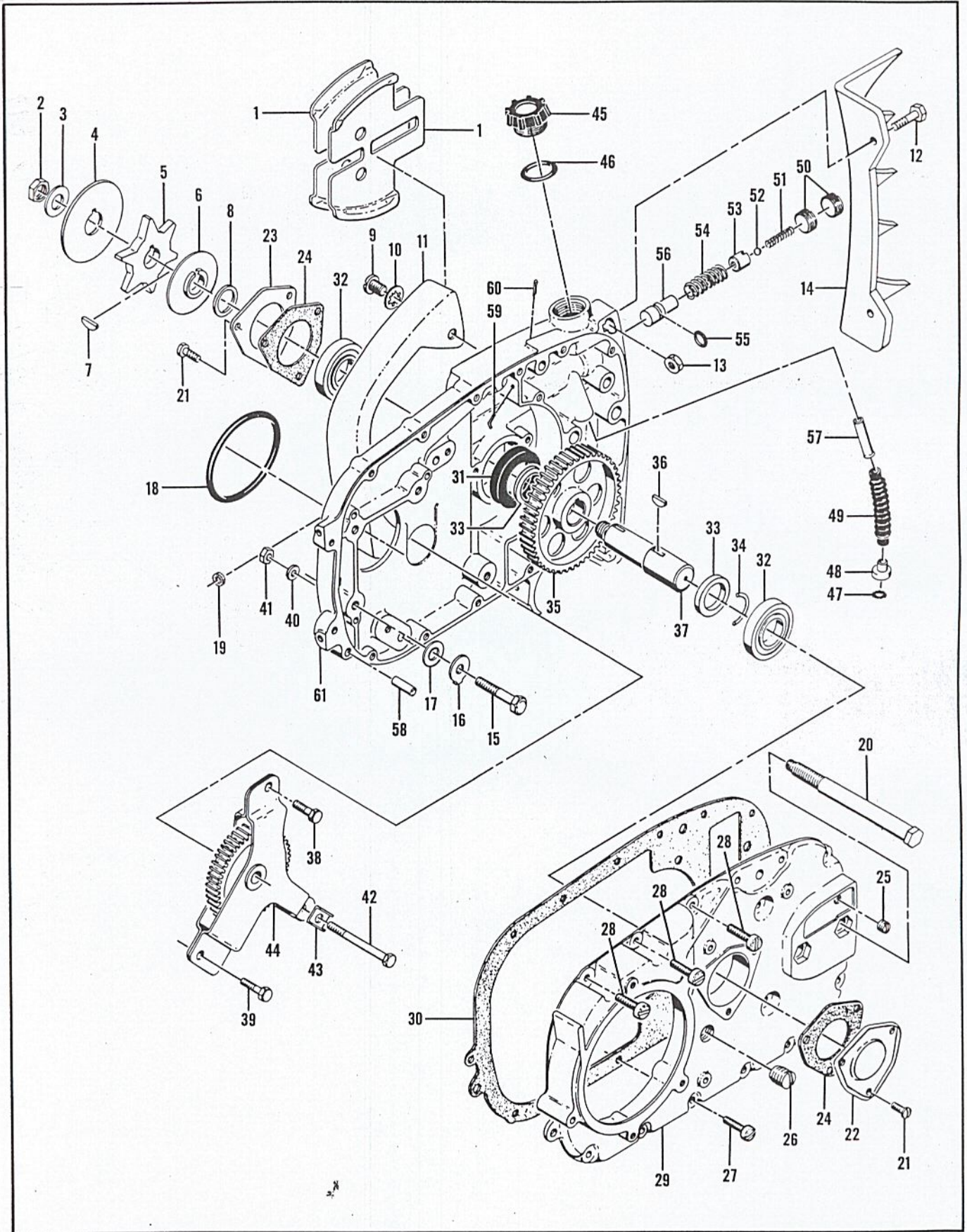


Figure 5. Transmission Assembly

FIGURE 4. STARTER AND CLUTCH ASSEMBLIES (CONT)

Index No.	Part Number	Nomenclature	Units Per Assy
26	51645A	Disc - Clutch friction	1
27	103746	Nut - Flexloc	1
28	104349	Washer - 3/8 in.	1
29	55716C	Clutch Assembly	1
30	51644	. Spring - Clutch	1
31	55523B	. Shoe - Clutch (Set of four)	1
32	28766	. Spring - Pawl	1
33	55717	. Rotor and Pawl Assy	1
34	28917	. . Pin - Starter pawl	2
35	28765	. . Pawl - Starter	2
36		. . Rotor Assy (Order Rotor and Pawl Assy #55717)	1
37	100199	Key - Woodruff	1
	51859	Clutch Drum Assy	1
38	51700	. Bearing	1
39		. Drum - Clutch (Order Clutch Drum Assy #51859)	1

FIGURE 5. TRANSMISSION ASSEMBLY

Index No.	Part Number	Nomenclature	Units Per Assy
1	51632B	Protector - Gearcase	2
2	101179	Nut - Hex 7/16-20	1
3	100593	Washer - 7/16 in.	1
4	51627	Plate - Chain guide	1
5	36644A	Sprocket - 7 tooth, 1/2 in. pitch	1
	36020B	Sprocket - 6 tooth, 1/2 in. pitch	alternate
	52069A	Sprocket - 7 tooth, 0.404 in. pitch	alternate
	36790A	Sprocket - 6 tooth, 9/16 in. pitch	alternate
	36791A	Sprocket - 7 tooth, 9/16 in. pitch	alternate
6	36019A	Shroud - Sprocket	1
7	100256	Key - Woodruff #6	1
8	51726	Spacer - Sprocket	1
9	102415	Screw - Pan hd 10-24 x 3/8 in. lg	2
10	101194	Washer - Lock	2
11	51634B	Guard - Chain	1
12	100882	Screw - Hex hd 1/4-20 x 3/4 in. lg	2
13	101143	Nut - Hex 1/4-20	2
14	51654	Spike	1
15	102128	Screw - Hex hd 1/4-20 x 1-1/4 in. lg	3
16	36306	Plate - Lock	3
17	100311	Washer	3
18	104535	"O" Ring	1
19	55449A	Felt - Oiler rod	1
	55927A	Transmission Assy (3.0:1 Ratio)	1
20	51631A	. Bolt - Bar	2
21	104835	. Screw - Pan hd 10-24 x 1/2 in. lg	6
22	55736	. Cover - Sprocket shaft	1
23	36138	. Retainer - Bearing	1
24	51621	. Gasket -Shaft cover	2
25	101864	. Plug - Pipe 1/16-27	1
26	104218	. Plug - Pipe 3/8-18	1
27	103464	. Screw - 10-24 x 3/4 in. lg (SEMS)	11
28	103947	. Screw - 10-24 x 1 in. lg (SEMS)	3
29	55914	. Cover - Gearcase	1
30	55913	. Gasket - Cover	1
31	104298	. Seal - oil	1

This list is continued on page 13

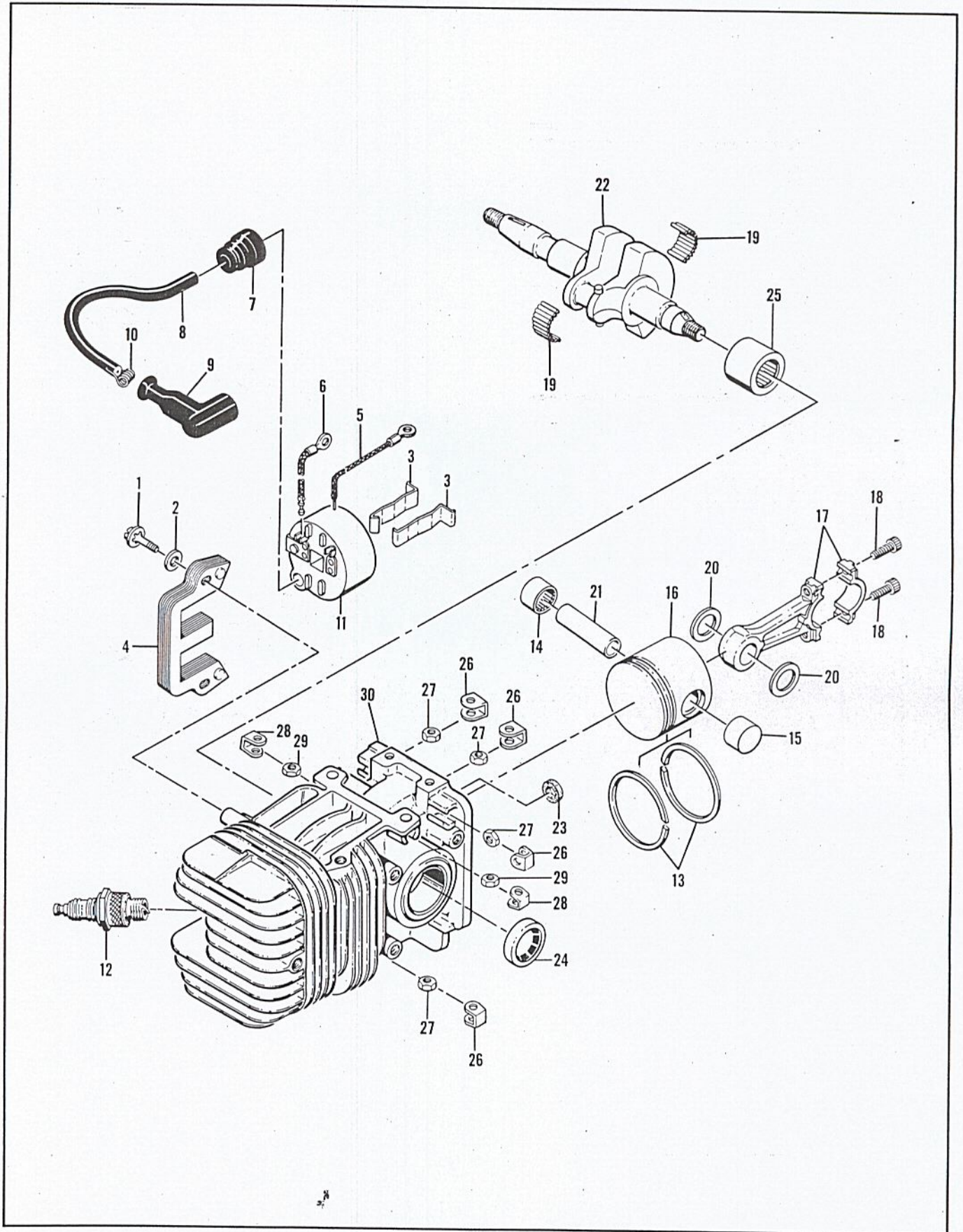


Figure 6. Powerhead Assembly

FIGURE 5. TRANSMISSION ASSEMBLY (CONT)

Index No.	Part Number	Nomenclature	Units Per Assy
32	101039	. Bearing	
33	55715	. Spacer - Gear	2
	55926	. Shaft Assy - Sprocket (3.0:1 Ratio)	2
34	104451	. . Ring - Snap	1
35	55925	. . Gear - Sprocket drive (3.0:1 Ratio)	1
36	55953	. . Key - Sprocket shaft	1
37	57489	. . Shaft - Sprocket	1
38	103280	. Screw - Hex hd 1/4-28 x 5/8 in. lg	1
39	103976	. Screw - Hex hd 1/4-28 x 7/16 in. lg	1
40	100004	. Washer - Plain 1/4 in.	1
41	100640	. Nut - Hex 1/4-28	1
42	104351	. Screw - Hex hd 1/4-28 x 1-13/32 in. lg	2
43	55539	. Lockplate - Idler yoke	1
44	55928A	. Idler Gear and Yoke Assy (3.0:1 Ratio)	1
45	57129	. Cap - Filler	1
46	101148	. "O" Ring	1
47	51506	. Screen - Oil	1
48	51509	. Weight - Oil	1
49	28007	. Hose	1
50	51755	. Plug - Oiler valve	1
51	51944	. Spring	2
52	100549	. Ball - 3/16 in. dia	1
53	51629	. Body - Oiler	1
54	19236	. Spring - Oiler	1
55	101056	. "O" Ring	1
56	36126	. Piston - Oiler	1
	55879A	. Gearcase Assy	1
57	51982A	. . Valve Assy - Check	1
58	100993	. . Pin - Dowel	1
59	57995	. . Pin - Gearcase vent	1
60	100010	. . Pin - Cotter	1
61		. . Gearcase	1
		(Order Gearcase Assy #55879A)	1

FIGURE 6. POWERHEAD ASSEMBLY

Index No.	Part Number	Nomenclature	Units Per Assy
1	101965	Screw - Fil hd 10-24 x 7/8 in. lg (SEMS)	
2	100003	Washer - Plain #10	2
3	51253	Retainer - Coil	2
4	51251	Lamination Assy	2
5	57225	Wire Assy - Primary	1
	55949A	Coil and Terminal Assy	1
6	101883	. Wire Assy - Ground	1
7	55617	. Nipple - Spark plug wire	1
8	52547	. Wire Assy - Spark plug	1
9	55060	. . Boot - Spark plug	1
10	55061	. . Connector	1
11		. . Coil Assy	1
12		(Order Coil and Terminal Assy #55949A)	1
	55007A	Spark Plug - 14 mm	1
		Piston Assy	1
13	55123	. Ring Set - Piston (2 chrome rings)	1
14	101206	. Bearing	1
15	104378	. Bearing	1
16		. Piston	1
17	55009	(Order Piston Assy #55007A)	1
		Connecting Rod Assy	1

This list is continued on page 15

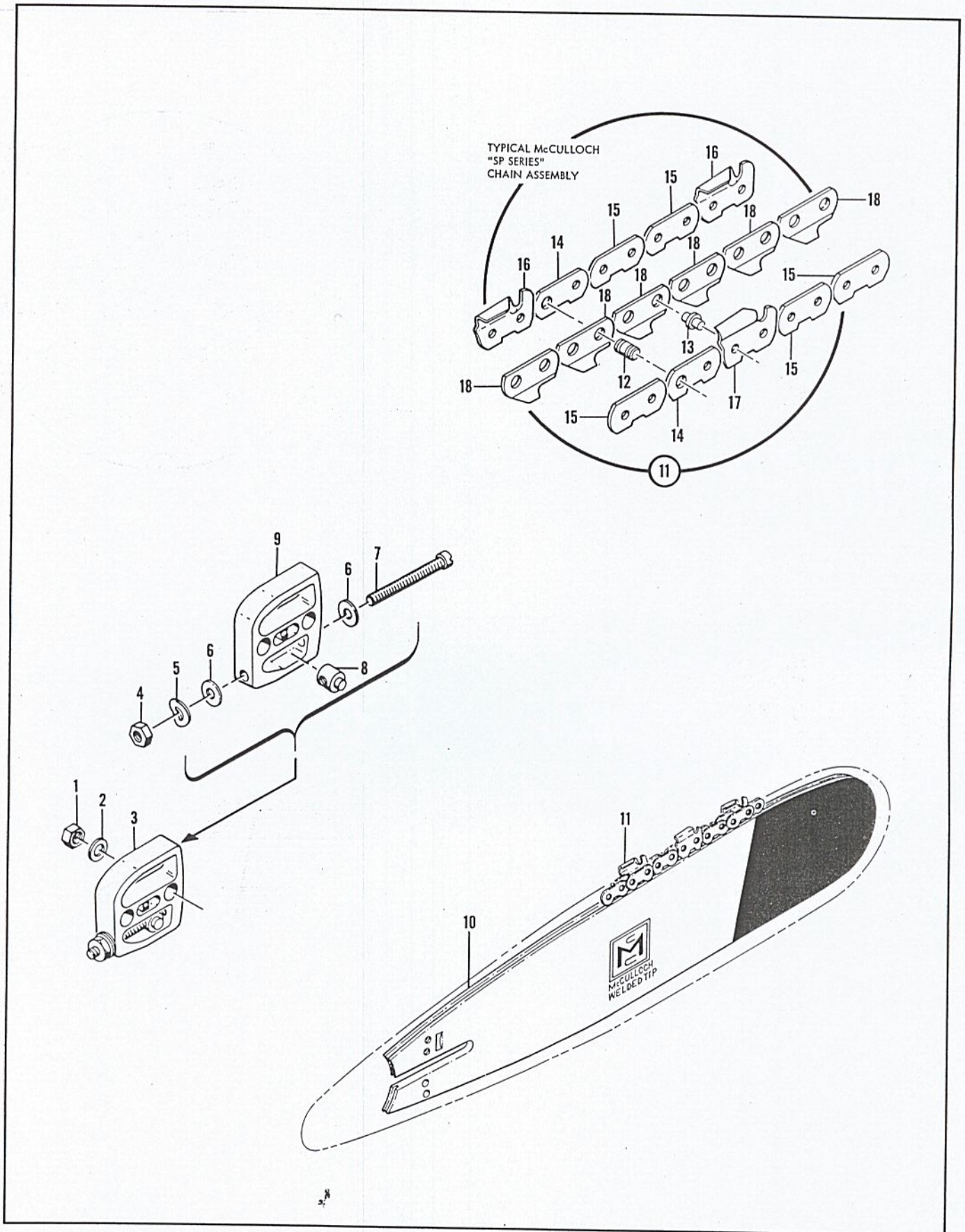


Figure 7. Lockplate Adjusting Assembly, Bar and Chain

FIGURE 6. POWERHEAD ASSEMBLY (CONT)

Index No.	Part Number	Nomenclature	Units Per Assy
18	104589	. Screw - Socket hd 10-32 x 0.552 in. lg	2
19	102742	. Rollers - Needle	24
20	51209	. Washer - Spacer	2
21	57198	Pin - Piston	1
22	50756	Crankshaft	1
23	55449A	Washer - Felt	1
	53528	Crankcase Assy	1
24	104128	. Seal - Oil	1
25	104129	. Bearing - Needle	1
26	18556A	. Retainer - Nut	6
27	101143	. Nut - Hex 1/4-20	6
28	28053	. Retainer - Nut	2
29	101326	. Nut - Hex 10-24	2
30		. Crankcase (Order Crankcase Assy #53528)	1

FIGURE 7 LOCKPLATE ADJUSTING ASSEMBLY, BAR AND CHAIN

Index No.	Part Number	Nomenclature	Units Per Assy
1	103729	Nut - Hex 3/8-24	2
2	100393	Washer - Plain 3/8 in.	2
3	52211D	Lockplate Adjusting Assy.....	1
4	100640	. Nut - Hex 1/4-28	1
5	102813	. Washer - Spring	1
6	102843	. Washer	2
7	103919	. Screw - Fil hd	1
8	52207C	. Nut - Adjusting	1
9	52206B	. Lockplate	1
10		McCulloch Bar	1
11		Typical McCulloch SP Series Chain Assy	1
12		. Master Pin	
13		. Shoulder Rivet	
14		. Master Link	
15		. Side Link	
16		. Cutter - L.H.	
17		. Cutter - R.H.	
18		. Center Link	

TOOLS AND ACCESSORIES

Index No.	Part Number	Nomenclature	Units Per Assy
	*51445A	Wrench and Screwdriver Combination	
	*53533	Owner's Manual	
	*56625A	Chain Maintenance Manual	
	*14168A	Wrench - Spark plug	

*Items furnished with each saw

OVERSIZE PISTON ASSEMBLY

Index No.	Part Number	Nomenclature	Units Per Assy
	55057A	Piston Assy - 0.010 in. oversize	1
	55124	. Ring Set - Piston 0.010 in. oversize	1
	55058A	Piston Assy - 0.020 in. oversize	1
	55125	. Ring Set - Piston 0.020 in. oversize	1
	55059A	Piston Assy - 0.030 in. oversize	1
	55126	. Ring Set - Piston 0.030 in. oversize	1