

1-61

April 1960

ILLUSTRATED PARTS LIST

The following pages contain an illustrated parts list for the Model 1-61 Chain Saw. Due to small differences between saws, it is important that the Serial Number of your saw be included whenever spare parts are ordered. This will assure receiving the proper parts from your dealer.

ILLUSTRATIONS

Figure 1. Engine Exploded View - General	Page 2
Figure 2. Fuel Tank and Crankcase Cover Assemblies	4
Figure 3. Air Box and Tillotson Carburetor Assemblies	6
Figure 4. Starter and Clutch Assemblies	8
Figure 5. Transmission Assembly	10
Figure 6. Powerhead Assembly	12
Figure 7. Lockplate Adjusting Assembly, Bar and Chain	14

McCULLOCH
CHAIN SAW

MODEL 1-61



McCULLOCH CORPORATION
6101 West Century Boulevard, Los Angeles 45, California

57211

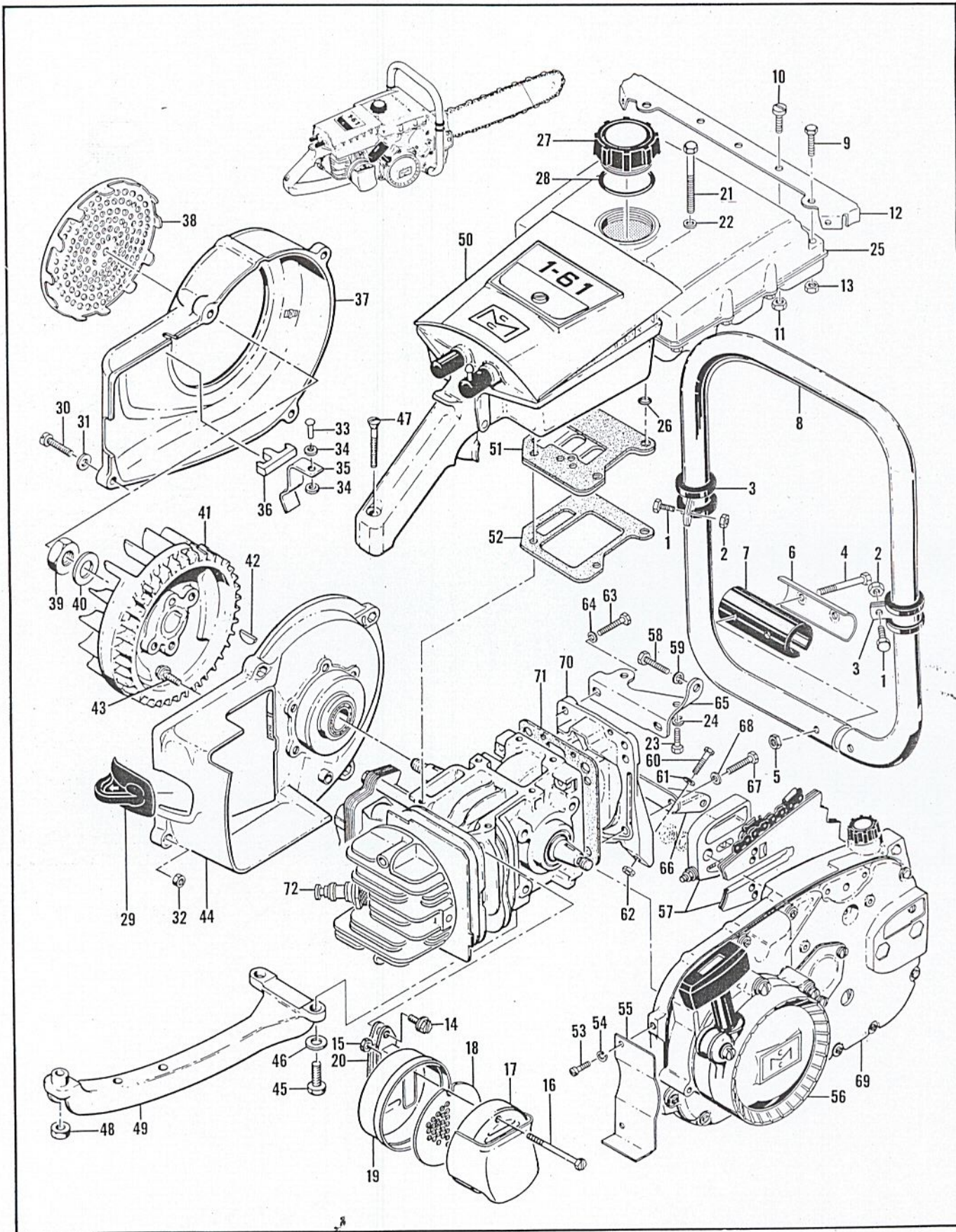


Figure 1. Engine Exploded View - General

FIGURE 1. ENGINE EXPLODED VIEW—GENERAL

Index No.	Part Number	Nomenclature	Units Per Assy
1	102143	Screw - Fil hd 10-24 x 3/4 in. lg	2
2	100239	Nut - Hex 10-24	2
3	103923	Clamp	2
4	102125	Screw - Hex hd 1/4-20 x 1-3/4 in. lg	2
5	101143	Nut - Hex 1/4-20	2
6	51660	Clamp - Frame	1
7	51661	Insulator	1
8	50763	Frame Assy	1
9	102121	Screw - Hex hd 1/4-20 x 7/8 in. lg	2
10	104396	Screw - Pan hd 10-24 x 3/4 in. lg	3
11	101191	Nut - Hex 10-24	3
12	50765	Brace - Frame	1
13	103242	Nut - Hex 1/4-20	2
14	102388	Screw - Hex hd 10-24 x 5/8 in. lg	2
	51966	Muffler Assy	1
15	101191	. Nut - Hex 10-24	2
16	103361	. Screw - Hex hd 10-24 x 1-5/8 in. lg	2
17	51979	. Top Assy	1
18	51968	. Baffle Assy	1
19	51975	. Bottom Assy	1
20	36093	Gasket	1
21	103678	Screw - Hex hd 10-24 x 3 in. lg	2
22	24236	Washer - Plain	2
23	100882	Screw - Hex hd 1/4-20 x 3/4 in. lg	2
24	100153	Washer - Lock	2
25		Fuel Tank Assy (See figure 2)	1
26	50832A	Washer - Mounting	2
27	57128	Cap - Fuel	1
28	101348	"O" ring	1
29	57116	Boot - Spark plug	1
30	104397	Screw - Pan hd 10-24 x 7/8 in. lg	4
31	102189	Washer - Plain	4
32	101191	Nut - Hex 10-24	4
	57441	Fan Housing Assy	1
33	103819	. Rivet	1
34	24236	. Washer	2
35	50818	. Spring - Switch	1
36	50817	. Button - Switch	1
37		. Housing - Fan (Order Fan Housing Assy #57441)	1
38	51207	Guard - Sawdust	1
39	101179	Nut - Hex 7/16	1
40	101270	Washer - Special	1
41	50003A	Flywheel Assy	1
42	100199	Key - Woodruff No. 3	1
43	55494	Screw Assy - Sealing	6
44		Crankcase Cover Assy (See figure 2)	1
45	100882	Screw - Hex hd 1/4-20 x 3/4 in. lg	2
46	100004	Washer - 1/4 plain	2
47	104435	Screw - Oval hd 10-24 x 1-3/4 in. lg	1
48	101191	Nut - Hex 10-24	1
49	50041	Brace - Handle	1
50		Air Box and Carburetor Assy (See figure 3)	1
51		Reed Plate Assy (See figure 3)	1
52	50032B	Insulator - Reed plate	1
53	102762	Screw - Hex hd 10-24 x 1/2 in. lg	2
54	101194	Washer - Lock	2
55	51664A	Shield - Gearcase	1
56		Starter and Clutch Assy (See figure 4)	1
57		Lockplate Adjusting Assy, Bar and Chain (See figure 7)	1
58	100882	Screw - Hex hd 1/4-20 x 3/4 in. lg	1
59	100153	Washer - Lock 1/4 in.	1
60	100882	Screw - Hex hd 1/4-20 x 3/4 in. lg	1
61	100005	Washer - 1/4 in.	1
62	101143	Nut - Hex 1/4-20	1

457211
4-60

This list is continued on page 5

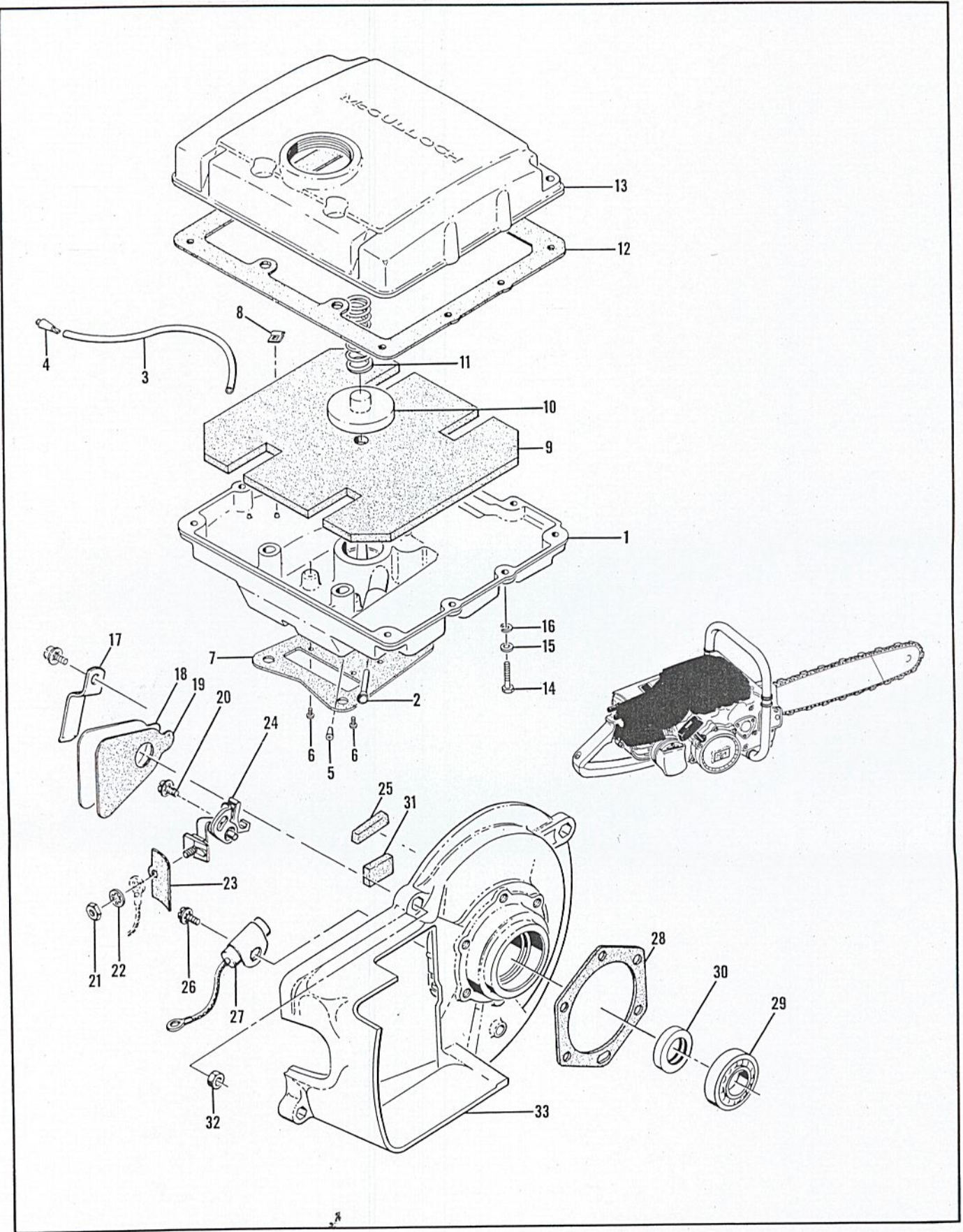


Figure 2. Fuel Tank and Crankcase Cover Assemblies

FIGURE 1. ENGINE EXPLODED VIEW—GENERAL (CONT)

Index No.	Part Number	Nomenclature	Units Per Assy
63	101982	Screw - Hex hd 1/4-20 x 1 in. lg	4
64	100005	Washer	4
65	51795A	Brace - Gearcase top	1
66	55537	Brace - Gearcase bottom	1
67	102121	Screw - Hex hd 1/4-20 x 7/8 in. lg	2
68	100005	Washer	2
69	55437A	Transmission Assy (See figure 5)	1
70	50812A	Cover - Crankcase bottom	1
71	51738B	Gasket - Bottom	1
72		Powerhead Assy (See figure 6)	1

FIGURE 2. FUEL TANK AND CRANKCASE COVER ASSEMBLIES

Index No.	Part Number	Nomenclature	Units Per Assy
	50848A	Tank Assembly - Fuel	1
1	50759A	. Bottom Assy - Fuel tank	1
2	28042	. . Tube - Fuel	1
3	57288	. . Tube - Vent	1
4	57290	. . Orifice Assy - Fuel vent	1
5	57289	. . Orifice - Fuel vent	1
6	103996	. . Screw - Pan hd 4-40 x 3/8 in. lg	2
7	57293	. . Gasket - Mounting	1
8	104230	. . Clamp - Tube	1
9	50762A	. Wick - Fuel pickup	1
10	36239	. Cap - Fuel wick	1
11	36240A	. Spring - Fuel tank	1
12	50831	. Gasket - Fuel tank	1
13	50731A	. Cover - Fuel tank	1
14	102763	. Screw - Hex hd 10-24 x 3/4 in. lg	6
15	24236	. Washer - Plain	6
16	101194	. Washer - Lock	6
17	50671	Retainer - Breaker box cover	1
18	50588	Cover - Breaker box	1
19	50589	Gasket - Breaker box	1
20	103672	Screw - 8-32 x 1/2 in.	2
21	100251	Nut - 8-32	1
22	100057	Washer - Lock No. 8 internal	1
23	50381	Insulator - Breaker terminal	1
24	50076A	Breaker Assy	1
25	50664	Felt - Breaker box	1
26	103672	Screw - 8/32 x 1/2 in. lg (SEMS)	1
27	50074	Condenser	1
28	51240	Gasket - Crankcase cover	1
29	100824	Bearing - Ball	1
	57126	Cover Assy - Crankcase	1
30	50663	. Seal - Oil	1
31	54184	. Wiper - Felt	1
32	101191	. Nut - Hex 10-24	3
33		. Cover - Crankcase (Order Crankcase Cover Assy #57126)	1

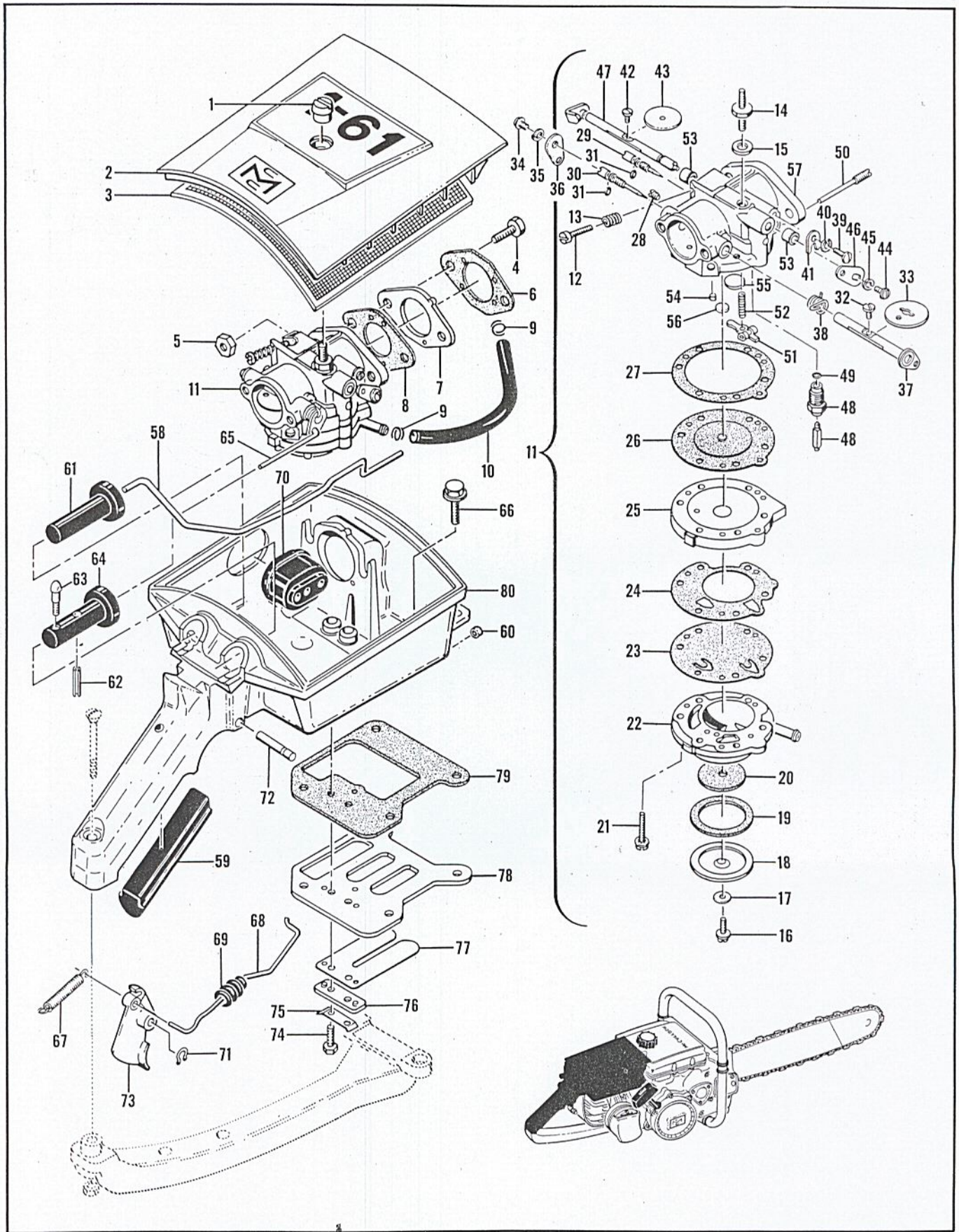


Figure 3. Air Box and Tillotson Carburetor Assemblies

FIGURE 3. AIR BOX AND TILLOTSON CARBURETOR ASSEMBLIES

Index No.	Part Number	Nomenclature	Units Per Assy
1	50674	Nut - Air cleaner attachment	1
2	50822	Cover Assy - Air cleaner	1
3	55497	Screen Assy - Air cleaner	1
4	102121	Screw - Hex hd 1/4-20 x 7/8 in. lg	2
5	103242	Nut - Hex 1/4-20	2
6	50123A	Gasket - Adaptor-to-airbox	1
7	50686	Adaptor - Carburetor	1
8	51161A	Gasket - Carburetor	1
9	50742	Clamp - Fuel hose	2
10	50995	Hose - Fuel	1
11	50687A	Tillotson Carburetor Assembly	1
12	*50799	. Screw - Idle speed regulating	1
13	*51705	. Spring - Idle speed regulating screw	1
14	50785	. Stud - Air cleaner attachment	1
15	50786A	. Gasket - Air cleaner attachment stud	1
16	*50797	. Screw - Fuel strainer cover retaining	1
17	50798	. Gasket - Fuel strainer cover retaining	1
18	50796	. Cover - Fuel strainer	1
19	51704	. Gasket - Fuel strainer cover	1
20	*50795	. Element	1
21	51597	. Screw and Lockwasher - Fuel pump body	6
22	50670	. Body - Fuel pump	1
23	51595	. Diaphragm - Fuel pump	1
24	*51594	. Gasket - Fuel pump	1
25	51592	. Cover - Diaphragm	1
26	*51590	. Diaphragm	1
27	51591	. Gasket - Diaphragm	1
28	51589	. Drain Screw - Diaphragm chamber	1
29	*51702	. Screw - Idle adjustment	1
30	*51712	. Screw - Main adjustment	1
31	51703	. Seal ring	2
32	51721	. Screw and Lockwasher - Choke shutter	1
33	51587	. Shutter - Choke	1
34	51719	. Screw - Choke lever retaining	1
35	100261	. Lockwasher - Choke lever retaining	1
36	51546	. Lever - Choke	1
37	50789	. Shaft and Lever - Choke	1
38	55511	. Spring - Choke shaft return	1
39	51717	. Screw - Throttle shaft clip	1
40	100252	. Lockwasher - Throttle shaft clip	1
41	51716	. Clip - Throttle shaft	1
42	*51721	. Screw and Lockwasher - Throttle shutter	1
43	51720	. Shutter - Throttle	1
44	51719	. Screw - Throttle governor lever	1
45	100261	. Lockwasher - Throttle governor lever	1
46	50804	. Lever - Throttle governor	1
47	50803	. Throttle Shaft and Lever	1
48	*51707	. Seat and Needle	1
49	51708	. Gasket - Inlet seat	1
50	*51710	. Screw - Inlet control lever pinion	1
51	*51709	. Lever - Inlet control	1
52	51711	. Spring - Inlet tension	1
	50779A	. Carburetor Body Assy (For service)	1
53	51715	. Bushing - Throttle shaft	2
54	*51582	. Plug - Body channel cup	1
55	*51583	. Plug - Body channel welch	1
56	*51584	. Plug - Body channel welch	1
57		. Carburetor Body (Order Carburetor Body Assy #50779A)	1
	*50806	Gasket and Packing Set	1
	50807	Repair Parts Kit	1
58	57062	Pushrod - Oiler	1
59	50218A	Grip - Handle	1

*Indicates contents of Repair Parts Kit.

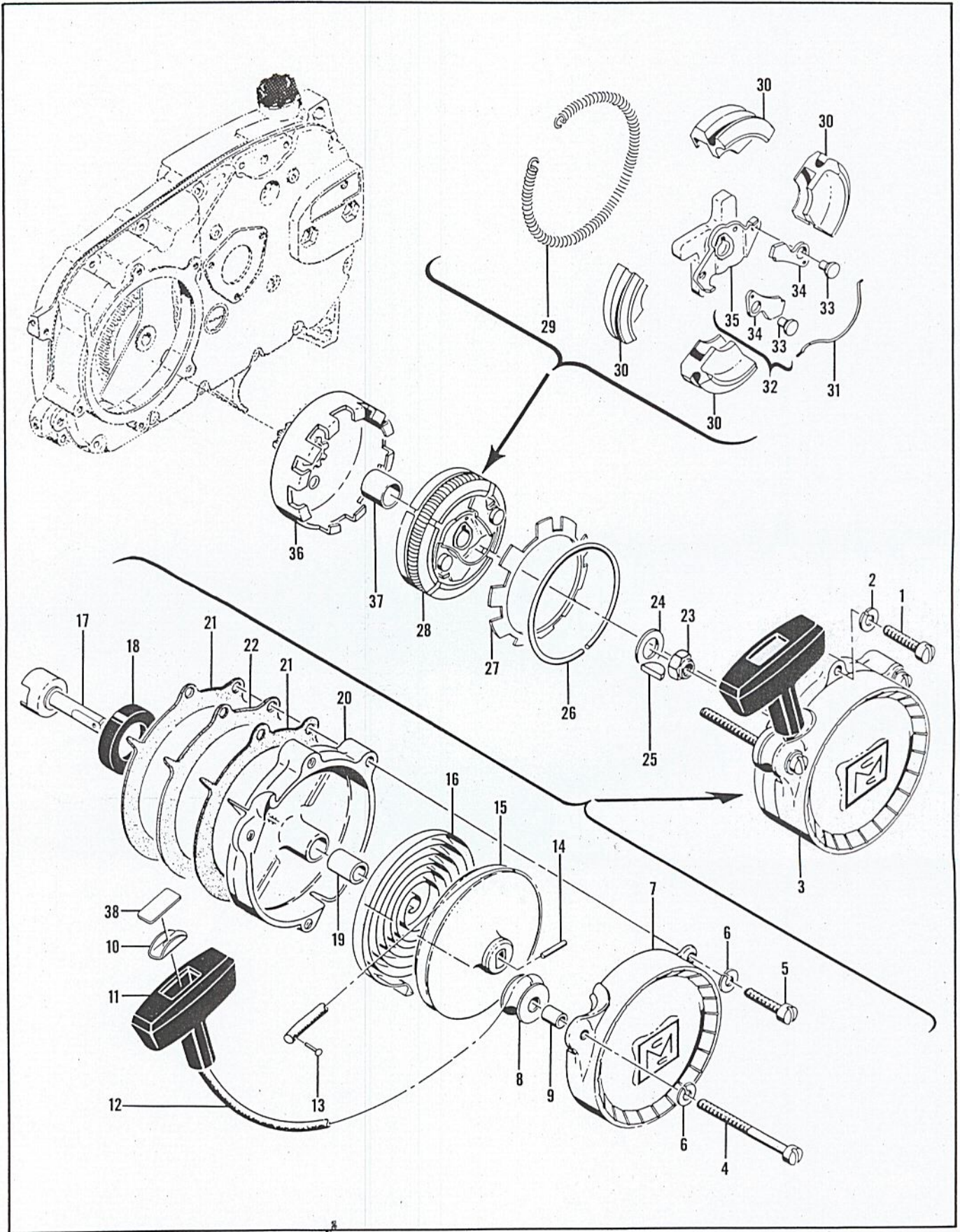


Figure 4. Starter and Clutch Assemblies

FIGURE 3. AIR BOX AND TILLOTSON CARBURETOR ASSEMBLIES (CONT)

Index No.	Part Number	Nomenclature	Units Per Assy
60	55449	Seal - Chain oiler	1
61	50591B	Button - Oiler	1
62	102419	Pin - Roll 1/8 x 1 in. lg	1
63	50776	Screw - Special	1
64	50777B	Button - Choke	1
65	57134	Rod - Choke	1
66	104138	Screw - Hex hd 10-24 x 7/8 in. lg (SEMS)	1
	57449	Airbox Assy	2
67	36499	. Spring - Throttle	1
68	50684	. Rod - Throttle	1
69	51561	. Grommet - Throttle	1
70	57105	. Grommet - Carburetor controls	1
71	104231	. Retainer - Pin	1
72	50507	. Pin	1
73	50091B	. Trigger	1
74	103740	. Screw - Hex hd 8-32 x 5/8	1
75	51480	. Plate - Lock	2
76	57173	. Clamp - Reed	1
77	51809A	. Valve - Reed	1
78	57158	. Plate - Reed	1
79	57145	. Gasket - Airbox	1
80		. Airbox	1
		(Order Airbox Assy #57449)	

FIGURE 4. STARTER AND CLUTCH ASSEMBLIES

Index No.	Part Number	Nomenclature	Units Per Assy
1	102135	Screw - Fil hd 10-24 x 2 in. lg	2
2	100240	Washer - Lock #10	2
3	55129C	Starter Assy	1
4	103840	. Screw - Fil hd 10-24 x 3-1/2 in. lg	2
5	102135	. Screw - Fil hd 10-24 x 2 in. lg	2
6	100240	. Washer - Lock	3
7	55024A	. Cover - Starter	1
8	51138	. Pulley - Starter rope	1
9	103536	. Bearing - Pulley	1
10	57231	. Cup - Starter handle	1
11	57230	. Handle - Starter	1
12	28716	. Rope - Starter	1
13	101136	. Rivet	1
14	103047	. Pin	1
15	51848C	. Drum - Starter	1
16	51665	. Spring - Rewind	1
17	55110	. Shaft - Starter	1
18	104439	. Seal	1
	51649B	. Base Assy - Starter	1
19	55591	. . Bearing - Starter base	1
20		. . Base - Starter	1
		(Order Starter Base Assy #51649B)	
21	51652	Gasket - Starter base	2
22	50834	Spacer - Starter	1
23	103746	Nut - Flexloc	1
24	104349	Washer - 3/8 in.	1
25	100199	Key - Woodruff	1
26	*51646	Ring - Retaining .040 in.	1
27	51645	Disc - Clutch friction	1
28	55716A	Clutch Assy	1
29	51644	. Spring - Shoe retaining	1
30	55523A	. Shoe - Clutch (Set of four)	1
31	28766	. Spring - Pawl	1
32	55717	. Rotor and Pawl Assy	1
33	28917	. . Pin	2
34	28765	. . Pawl	2
35		. . Rotor Assy	1
		(Order Rotor and Pawl Assy #55717)	
36	51859	Clutch Drum Assy	1
37	51700	. Bearing	1
38	57232	Plate - Starter handle	1
	*51646A	Ring - Retaining .047 in.	
	*51646B	Ring - Retaining .055 in.	
	*51646C	Ring - Retaining .063 in.	
	*51646D	Ring - Retaining .071 in.	
	*51646E	Ring - Retaining .080 in.	
	*51646F	Ring - Retaining .090 in.	
	*51646G	Ring - Retaining .106 in.	
	*51646H	Ring - Retaining .118 in.	

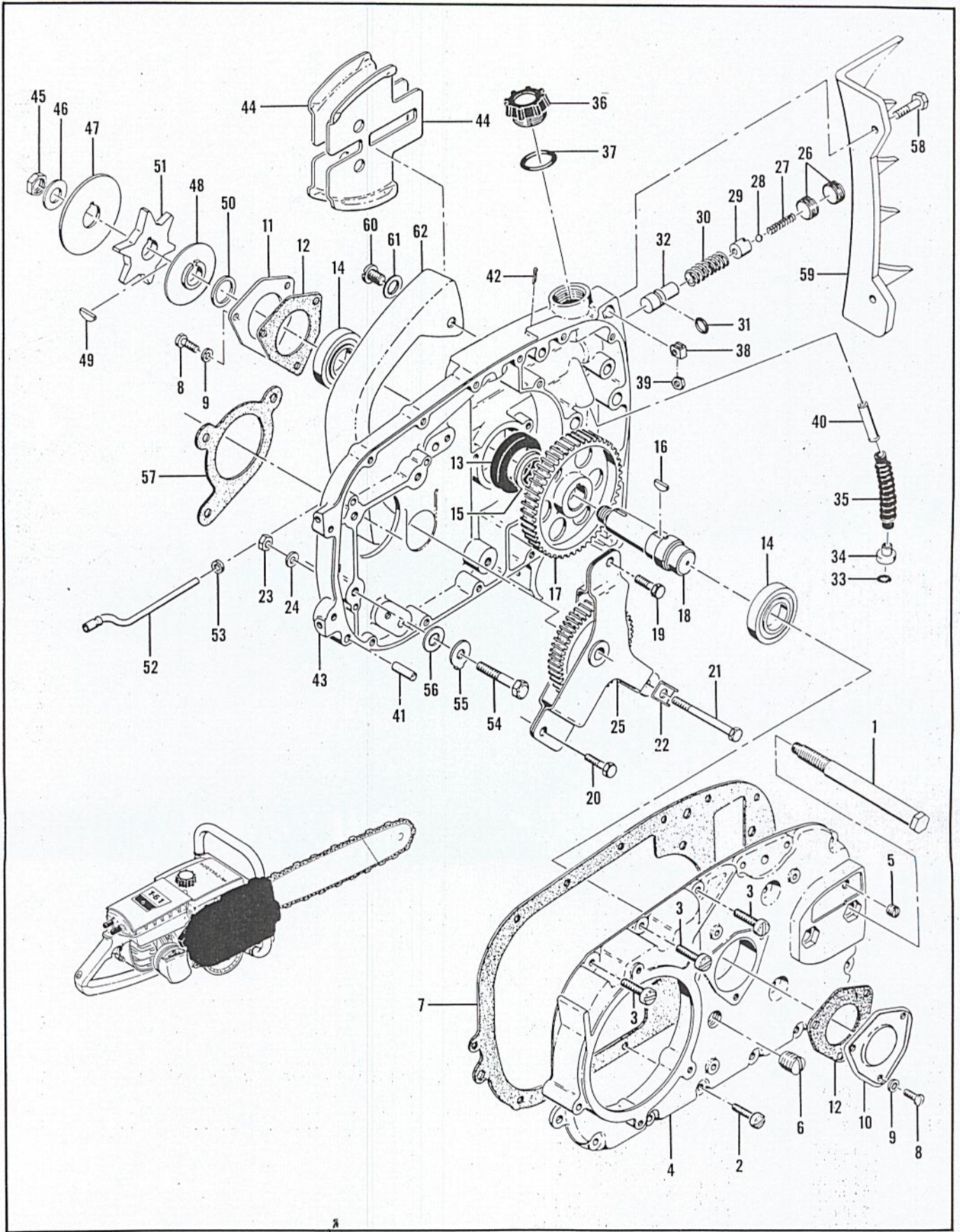


Figure 5. Transmission Assembly

FIGURE 5. TRANSMISSION ASSEMBLY

Index No.	Part Number	Nomenclature	Units Per Assy
	55437A	Transmission Assy	1
1	51631	. Bolt - Bar clamp	2
2	104396	. Screw - Pan hd 10-24 x 3/4 in. lg	11
3	104398	. Screw - Pan hd 10-24 x 1 in. lg	3
4	55428	. Cover - Gearcase	1
5	101864	. Plug - Pipe	1
6	104218	. Plug - Pipe	1
7	51609	. Gasket - Cover	1
8	102500	. Screw - Pan hd 10-24 x 1/2 in. lg	6
9	101194	. Washer - Lock	6
10	55736	. Cover - Sprocket shaft	1
11	36138	. Retainer - Bearing	1
12	51621	. Gasket - Shaft cover	2
13	102939	. Seal - Oil	1
14	103482	. Bearing	2
15	51625	. Spacer, - Gear	1
	50810	. Shaft and Gear Assy	1
16	51619	. . Key - Sprocket shaft	1
17	51690	. . Gear - Sprocket drive	1
18	50811	. . Shaft - Sprocket	1
19	103280	. Screw - Hex hd 1/4-28 x 5/8 in. lg	1
20	103976	. Screw - Hex hd 1/4-28 x 7/16 in. lg	1
21	104351	. Screw - Hex hd 1/4-28 x 1-1/2 in. lg	1
22	55539	. Lockplate	1
23	100640	. Nut - Hex 1/4-28	2
24	100004	. Washer - Plain	1
25	51895	. Idler Gear and Yoke Assy	1
26	51755	. Plug - Oiler valve	2
27	51944	. Spring	1
28	100549	. Ball - 3/16 in. dia	1
29	51629	. Body - Oiler valve	1
30	19236	. Spring	1
	51472	. Piston Assy - Oiler	1
31	101056	. . Packing - "O" ring	1
32	36126	. . Piston - Oiler	1
	51505	. Weight Assy	1
33	51506	. . Screen	1
34	51509	. . Weight	1
35	28007	. Hose - Flex	1
36	57129	. Cap - Filler	1
37	101148	. "O" ring	1
	55434A	. Gearcase Assy	1
38	18556A	. . Retainer - Nut	2
39	101143	. . Nut - Hex 1/4-20	2
40	51982	. . Valve Assy - Check	1
41	100993	. . Pin - Dowel	1
42	100010	. . Pin - Cotter	2
43		. . Gearcase (Order Gearcase Assy #55434A)	1
44	51632A	. Protector - Gearcase	2
45	101179	. Nut - Hex 7/16-20	1
46	100593	. Washer - 7/16 in.	1
47	51627	. Plate - Chain guide	1
48	36019A	. Shroud - Sprocket	1
49	51619	. Key	1
50	51726	. Spacer - Sprocket	1
51	*36020A	. Sprocket - 6 tooth 1/2 in. pitch	1
	*36644	. Sprocket - 7 tooth 1/2 in. pitch (alternate)	1
	**36790	. Sprocket - 6 tooth 9/16 in. pitch (alternate)	1
	**36791	. Sprocket - 7 tooth 9/16 in. pitch (alternate)	1
52	51930	. Extension - Oiler rod	1

*Use only with 1/2 inch pitch chain.

**Use only with 9/16 inch pitch chain.

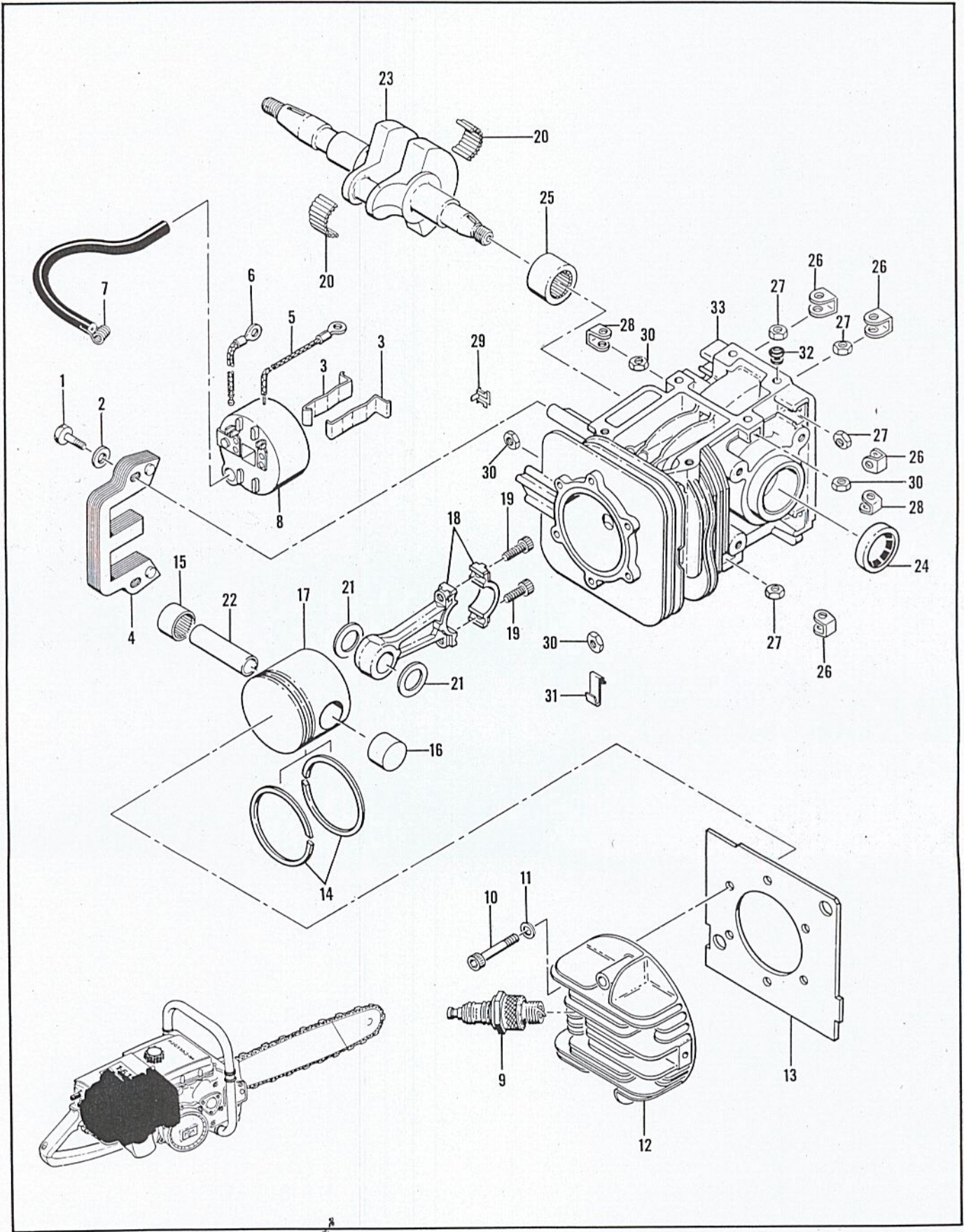


Figure 6. Powerhead Assembly

FIGURE 5. TRANSMISSION ASSEMBLY (CONT)

Index No.	Part Number	Nomenclature	Units Per Assy
53	55449	Felt - Oiler rod	1
54	103258	Screw - Hex hd 1/4-20 x 1-1/4 in. lg	3
55	36306	Plate - Lock	3
56	100311	Washer	3
57	51635A	Gasket - Gearcase	1
58	100882	Screw - Hex hd 1/4-20 x 3/4 in. lg	2
59	51654	Spike	1
60	102415	Screw - Pan hd 10-24 x 3/8 in. lg	2
61	101194	Washer - Lock	2
62	51634B	Guard - Chain	1

FIGURE 6. POWERHEAD ASSEMBLY

Index No.	Part Number	Nomenclature	Units Per Assy
1	104138	Screw - Hex hd 10-24 x 7/8 in. lg (SEMS)	2
2	102189	Washer - Plain	2
3	51253	Retainer - Coil	2
4	51251	Lamination Assy	1
	57120	Coil and Terminal Assy	1
5	101883	. Wire Assy - Ground	1
6	57225	. Wire Assy - Primary	1
7	57121	. Wire Assy - Spark plug	1
8		. Coil Assy..... (Order Coil and Terminal Assy #57120)	1
9		Plug - Spark 14MM	1
10	101563	Screw - Socket hd 10-24 x 1-1/4 in. lg	6
11	24236	Washer - Plain	6
12	55146A	Head - Cylinder	1
13	55012B	Gasket - Cylinder head	1
	55007A	Piston Assy	1
14	55123	. Ring - Piston (Set of 2 rings - chrome top ring)	1
15	101206	. Bearing	1
16	104378	. Bearing - Closed-end	1
17		. Piston	1
18	55009	Connecting Rod Assy	1
19	101356	. Screw - Socket hd 10-32 x 5/8 in. lg	2
20	102742	. Roller - Needle	24
21	51209	Washer - Thrust	2
22	57198	Pin - Piston	1
23	50756	Crankshaft	1
	57420	Cylinder Assy - Crankcase	1
24	104128	. Seal - Oil	1
25	104129	. Bearing - Needle	1
26	18556A	. Retainer - Nut	6
27	101143	. Nut - Hex 1/4-20	6
28	28053	. Retainer - Nut	2
29	57063	. Retainer - Nut	4
30	101326	. Nut - Hex 10-24	8
31	104255	. Retainer - Nut	2
32	57325	. Grommet	1
33		. Cylinder - Crankcase Assy	1
		(Order Assy #57420)	

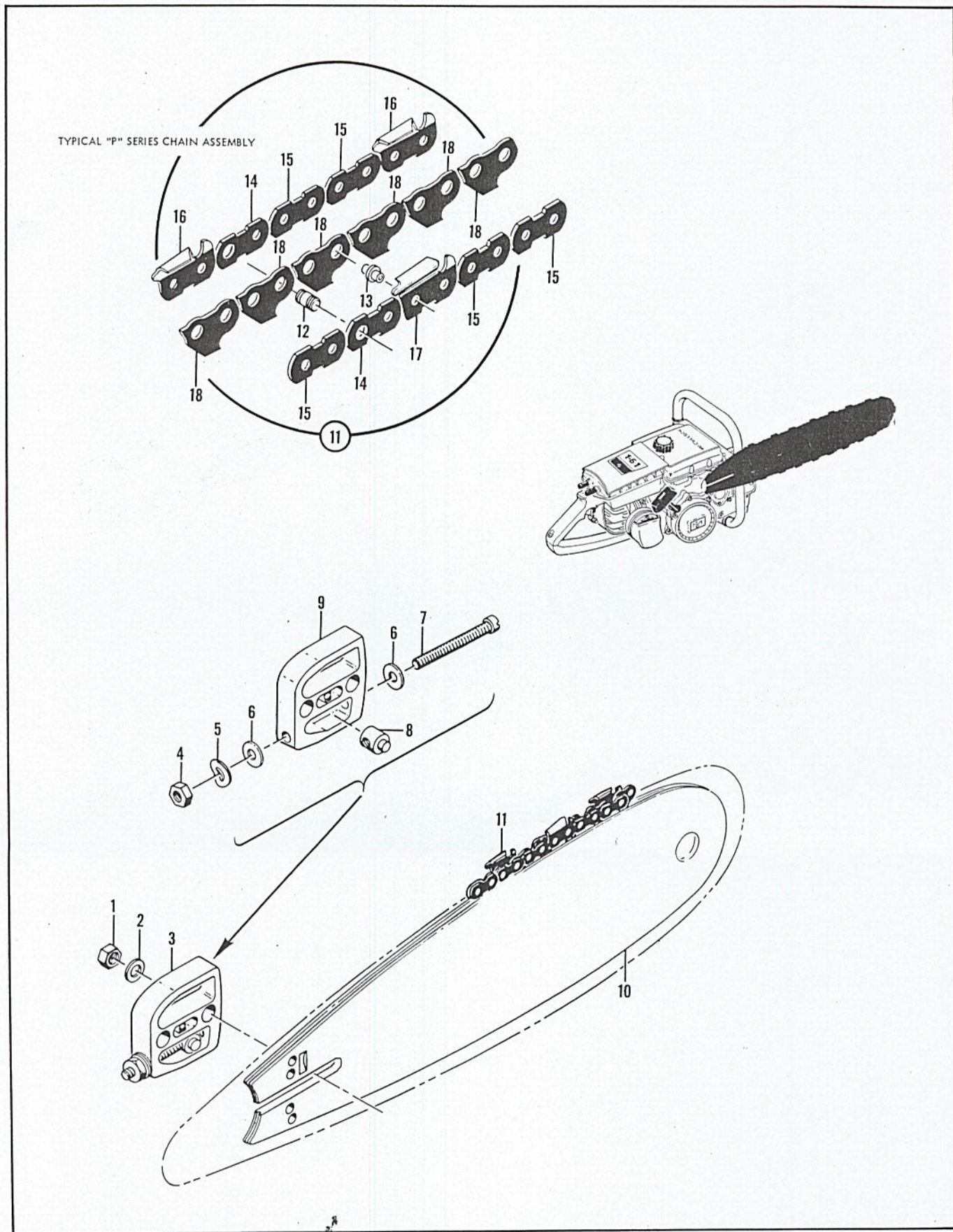


Figure 7. Lockplate Adjusting Assembly, Bar and Chain

FIGURE 7. LOCKPLATE ADJUSTING ASSEMBLY, BAR AND CHAIN

Index No.	Part Number	Nomenclature	Units Per Assy
1	103729	Nut - Hex 3/8-24	2
2	100393	Washer - Plain 3/8 in.	2
3	52211B	Lockplate Adjusting Assy	1
4	100640	. Nut - Hex 1/4-28	1
5	102813	. Washer - Spring	1
6	102843	. Washer	2
7	103919	. Screw - Fil hd	1
8	52207A	. Nut - Adjusting	1
9	52206B	. Lockplate	1
10	50361	Bar - Flame hardened - .185 inch wide - 14''	1
	51403B	Bar - Hard faced - .185 inch wide - 14''	1
	52551	Bar - Flame hardened - .185 inch wide - 20''	1
	55204	Bar - Hard faced - .185 inch wide - 16''	1
	52556	Bar - Flame hardened - .185 inch wide - 16''	1
	51405A	Bar - Hard faced - .185 inch wide - 20''	1
	51407A	Bar - Hard faced - .185 inch wide - 26''	1
	51409A	Bar - Hard faced - .185 inch wide - 32''	1
	50607	Laminated Bar - Flame hardened - 14''	
	50606	Laminated Bar - Hard faced - 14''	
	50347	Laminated Bar - Flame hardened - 20''	
	50346	Laminated Bar - Hard faced - 20''	
	50348	Laminated Bar - Hard faced - 26''	
11		Typical McCulloch "P" Series Chain Assy	
12		Typical Master Pin	
13		Typical Rivet	
14		Typical Master Side Link	
15		Typical Side Link	
16		Typical Cutter - Left side	
17		Typical Cutter - Right side	
18		Typical Center Link	

TOOLS AND ACCESSORIES

Index No.	Part Number	Nomenclature	Units Per Assy
	*51445	Wrench and Screwdriver Combination	
	*57213	Owner's Manual of Operating Instructions	
	*57211	Illustrated Parts List	
	*51654	Spike	
	*14168A	Wrench - Spark plug	
	18413A	Feeler Gauge	
	102094	Chain Grinding Fixture	
	101259	Chain Grinder	
	102449	McCulloch Yellow Paint (12 oz spray bomb type)	
	102057	McCulloch Oil (1 quart)	
	102664	McCulloch Oil (12 oz can)	
	103736	File - Round 7/32 in. diameter	
	104003	File - Round 3/16 in. diameter	
	56224	Chain Breaker - Rivet Spinner	
	56250	Depth Gauge - .025 - .040	
	56251	Depth Gauge - .045 - .060	

*Indicates items furnished with each saw.

OVERSIZE PISTON ASSEMBLY

Index No.	Part Number	Nomenclature	Units Per Assy
	55058	Piston Assembly - .020 oversize	1
	55125	. Ring - Piston - .020 oversize (Set of 2 rings)	1