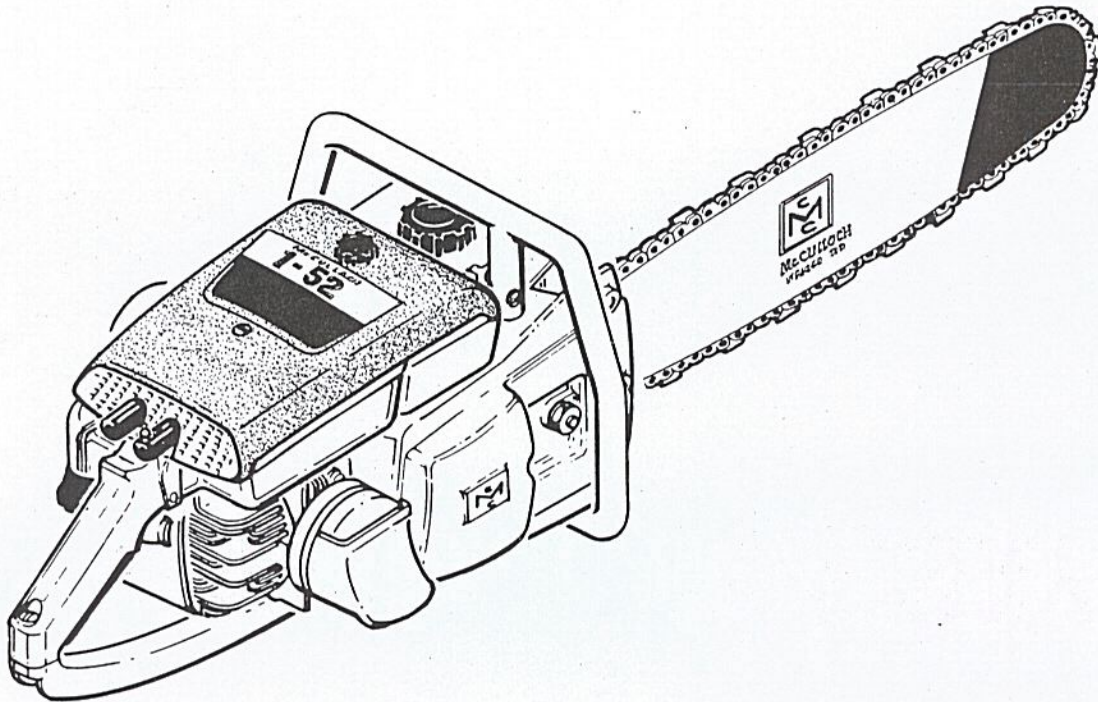


# ILLUSTRATED PARTS LIST

MAY 1961



The following pages contain an illustrated parts list for the Model 1-52 Chain Saw. Due to small differences between saws, it is important that the Serial Number of your saw be included whenever spare parts are ordered. This will assure receiving the proper parts from your dealer.

Figure 1. Engine Exploded View - General .....	Page 2
Figure 2. Starter and Crankcase Cover Assemblies .....	4
Figure 3. Oiler Tank and Fuel Tank Assemblies .....	6
Figure 4. Air Box and Tillotson Carburetor Assembly ..	8
Figure 5. Powerhead Assembly .....	10
Figure 6. Bar and Chain Assembly .....	12



**MCCULLOCH CORPORATION**  
8101 West Century Boulevard, Los Angeles 45, California

#57860

MODEL  
1-52

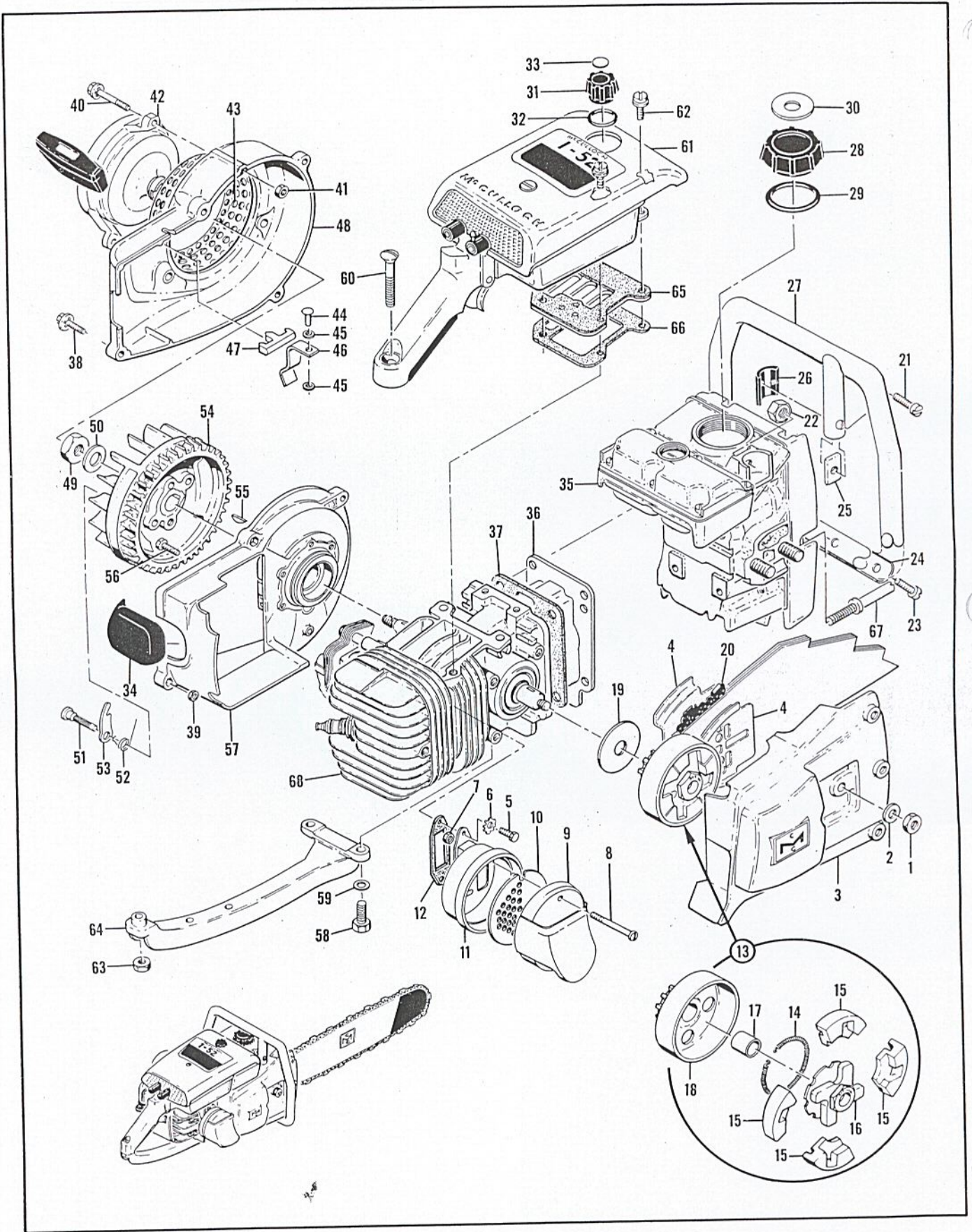


Figure 1. Engine Exploded View - General

FIGURE 1 ENGINE EXPLODED VIEW—GENERAL

Index No.	Part Number	Nomenclature	Units Per Assy
1	103729	Nut - Hex 3/8-24	2
2	100006	Washer - Plain 3/8	2
3	50072C	Guard - Clutch	1
4	51632B	Plate - Protector	2
5	102388	Screw - Hex hd 10-24 x 5/8 in. lg.	2
6	103100	Washer - Lock #10 internal	2
	51966	Muffler Assy	1
7	101191	. Nut - Hex 10-24	2
8	103361	. Screw - Fil hd 10-24 x 1-5/8 in. lg.	2
9	51979	. Top Assy - Muffler	1
10	51968	. Baffle - Muffler	1
11	51975	. Bottom Assy - Muffler	1
12	36093	Gasket - Muffler	1
13		Clutch, Sprocket, Drum and Bearing Assy	1
	50060A	Clutch Assy	1
14	51468	. Spring - Clutch	1
15	51464A	. Shoe - Clutch	4
16	50144A	. Rotor Assy - Clutch	1
	50129A	Sprocket, Drum and Bearing Assy	1
17	50128	. Bushing	1
18	51775B	. Sprocket and Drum Assy	1
19	50132	Washer - Sprocket Assy	1
20		Bar and Chain Assy (See figure 6)	1
21	100416	Screw - Fil hd 1/4-20 x 1 in. lg.	3
22	101143	Nut - Hex 1/4-20	3
23	102130	Screw - Hex 1/4-20 x 1-1/2 in. lg.	2
24	50215	Clamp - Frame	1
25	57133	Saddle - Frame	3
26	50062	Insulator - Frame	3
27	50212C	Frame Assy	1
28	55934	Fuel Cap Assy	1
29	101348	"O" ring	1
30	57485	Plate - Fuel cap	1
31	57129	Cap - Oil filler	1
32	101148	"O" ring	1
33	57234	Plate - Oil cap	1
34	57565	Cover Assy - Spark plug	1
35		Oiler Tank and Fuel Tank Assy (See figure 3)	1
36	51789E	Bottom - Crankcase	1
37	51738B	Gasket - Bottom	1
38	104138	Screw - Hex hd 10-24 x 7/8 in. lg. (SEMS)	4
39	101191	Nut - Hex 10-24	2
40	104138	Screw - Hex hd 10-24 x 7/8 in. lg. (SEMS)	3
41	101191	Nut - Hex 10-24	3
42	57117B	Starter Assy (See figure 2)	1
43	50581A	Guard - Sawdust	1
	57184A	Fan Housing Assy	1
44	103819	. Rivet	1
45	24236	. Washer	2
46	50818	. Spring - Switch	1
47	50817	. Button - Switch	1
48		. Housing - Fan (Order Fan Housing Assy #57184A)	1
49	101179	Nut - Hex 7/16	1
50	101270	Washer - Special	1
51	36144A	Pin - Starter pawl	2
52	50582	Spring - Pawl	2
53	24093	Pawl - Starter	2
54	48785A	Flywheel Assy	1
55	100199	Key - Woodruff #3	1
56	102289	Screw - Hex hd 10-24 x 3/4 in. lg.	6
57	57126	Crankcase Cover Assy (See figure 2)	1
58	100882	Screw - Hex hd 1/4-20 x 3/4 in. lg.	2
59	100004	Washer - Plain	2

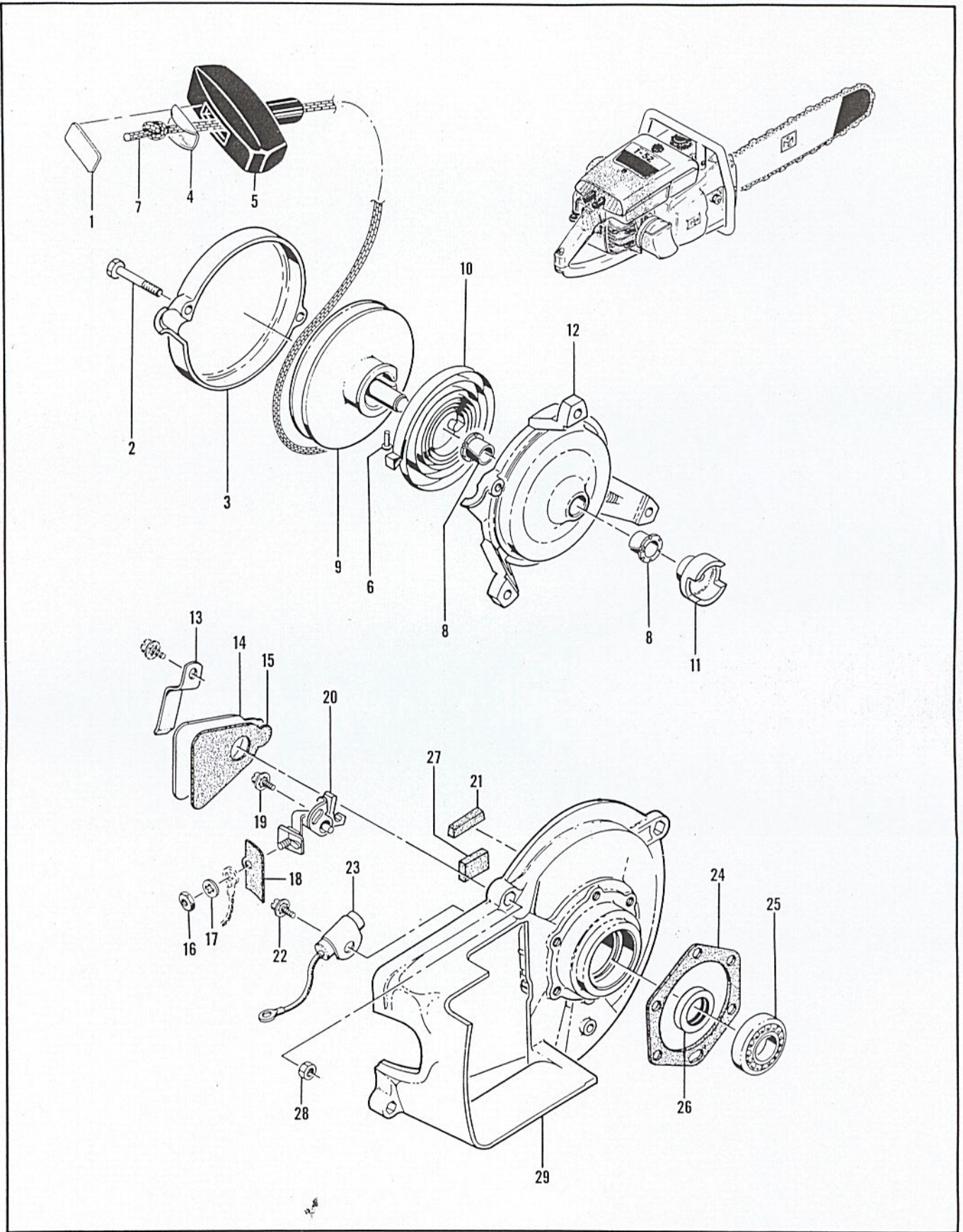


Figure 2. Starter and Crankcase Cover Assemblies

FIGURE 1. ENGINE EXPLODED VIEW—GENERAL (CONT.)

Index No.	Part Number	Nomenclature	Units Per Assy
60	104435	Screw - Oval hd 10-24 x 1-3/4 in. lg. ....	1
61		Airbox and Carburetor Assy (See figure 4) .....	1
62	104138	Screw - Hex hd 10-24 x 7/8 in. lg. ....	4
63	101191	Nut - Hex 10-24 .....	1
64	50041	Brace - Handle .....	1
65		Reed Plate Assy (See figure 4) .....	1
66	57657	Insulator - Reed plate .....	1
67	51441	Screw - Bar adjusting .....	1
68		Powerhead Assy (See figure 5) .....	1

FIGURE 2 STARTER AND CRANKCASE COVER ASSEMBLIES

Index No.	Part Number	Nomenclature	Units Per Assy
1	57232	Plate - Starter handle .....	1
	57117B	Starter Assy .....	1
2	104396	. Screw - Pan hd 10-24 x 3/4 in. lg. ....	2
3	57102	. Cover - Starter .....	1
4	57231	. Cup - Starter handle .....	1
5	57230	. Handle - Starter .....	1
6	101136	. Rivet .....	1
7	28716	. Rope - Starter .....	1
8	57535	. Bushing - Starter base .....	2
9	57792	. Drum - Starter .....	1
10	51665	. Spring - Rewind .....	1
11	57790	. Ratchet - Starter .....	1
12	57103	. Base - Starter .....	1
13	50671	Retainer - Breaker box cover .....	1
14	50588	Cover - Breaker box .....	1
15	50589	Gasket - Breaker box .....	1
16	100251	Nut - Hex 8-32 .....	1
17	100057	Lockwasher - No. 8 internal .....	1
18	50381	Insulator - Breaker terminal .....	1
19	103672	Screw - 8-32 x 1/2 in. lg. (SEMS) .....	1
20	50076A	Breaker Assy .....	1
21	50664	Felt - Breaker box .....	1
22	103672	Screw - 8-32 x 1/2 in. lg. (SEMS) .....	1
23	50074	Condenser .....	1
24	51240	Gasket - Crankcase .....	1
25	100824	Bearing - Ball .....	1
	57126	Crankcase Cover Assy .....	1
26	50663	. Seal - Oil .....	1
27	54184	. Wiper - Felt .....	1
28	101326	. Nut - Hex 10-24 .....	2
29		. Cover - Crankcase .....	1
		(Order Crankcase Cover Assy 57126)	

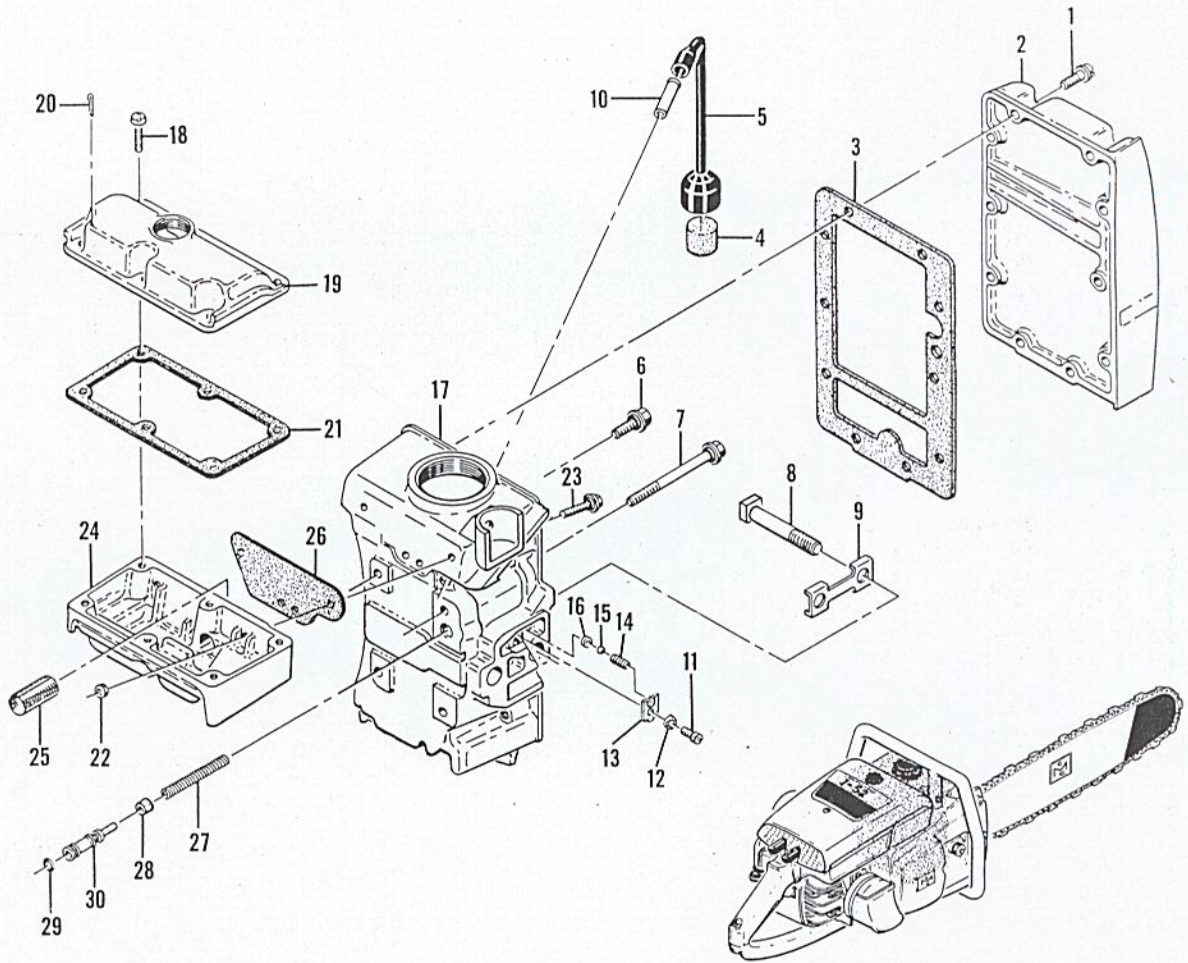


Figure 3. Oiler Tank and Fuel Tank Assemblies

FIGURE 3 OILER TANK AND FUEL TANK ASSEMBLIES

Index No.	Part Number	Nomenclature	Units Per Assy
1	104396	Screw - Pan hd 10-24 x 3/4 in. lg .....	10
2	50514	Cover - Fuel tank .....	1
3	50034E	Gasket - Fuel tank cover .....	1
4	50124A	Filter - Fuel .....	1
5	50082	Hose - Flex .....	1
6	57840	Screw Assy - Sealing .....	3
7	50569	Screw Assy - Sealing .....	1
	57976	Fuel Tank Assy .....	1
8	57839	. Bolt - Bar mounting .....	2
9	57868	. Lockplate .....	1
10	28042	. Tube - Fuel hose .....	1
11	102219	. Screw - Fil hd 8-32 x 1/4 in. lg .....	1
12	100057	. Lockwasher .....	1
13	51941	. Retainer .....	1
14	51945	. Spring - Outlet valve .....	1
15	100549	. Ball - 3/16 dia .....	1
16	51943	. Seat - Ball valve .....	1
17		. Tank - Fuel .....	1
18	104395	Screw - Pan hd 10-24 x 5/8 in. lg .....	6
19	57114A	Cover - Oil tank .....	1
20	100010	Pin - Cotter .....	1
21	57152	Gasket - Oil tank cover .....	1
22	101191	Nut - Hex 10-24 .....	3
23	55494	Screw Assy - Sealing .....	3
24	57112A	Tank - Oiler .....	1
25	57279	Screen - Oiler .....	1
26	57147	Gasket - Oiler tank .....	1
27	18349A	Spring - Oiler piston .....	1
28	24104	Cup - Oiler piston .....	1
29	101056	"O" Ring .....	1
30	57148	Piston - Oiler .....	1

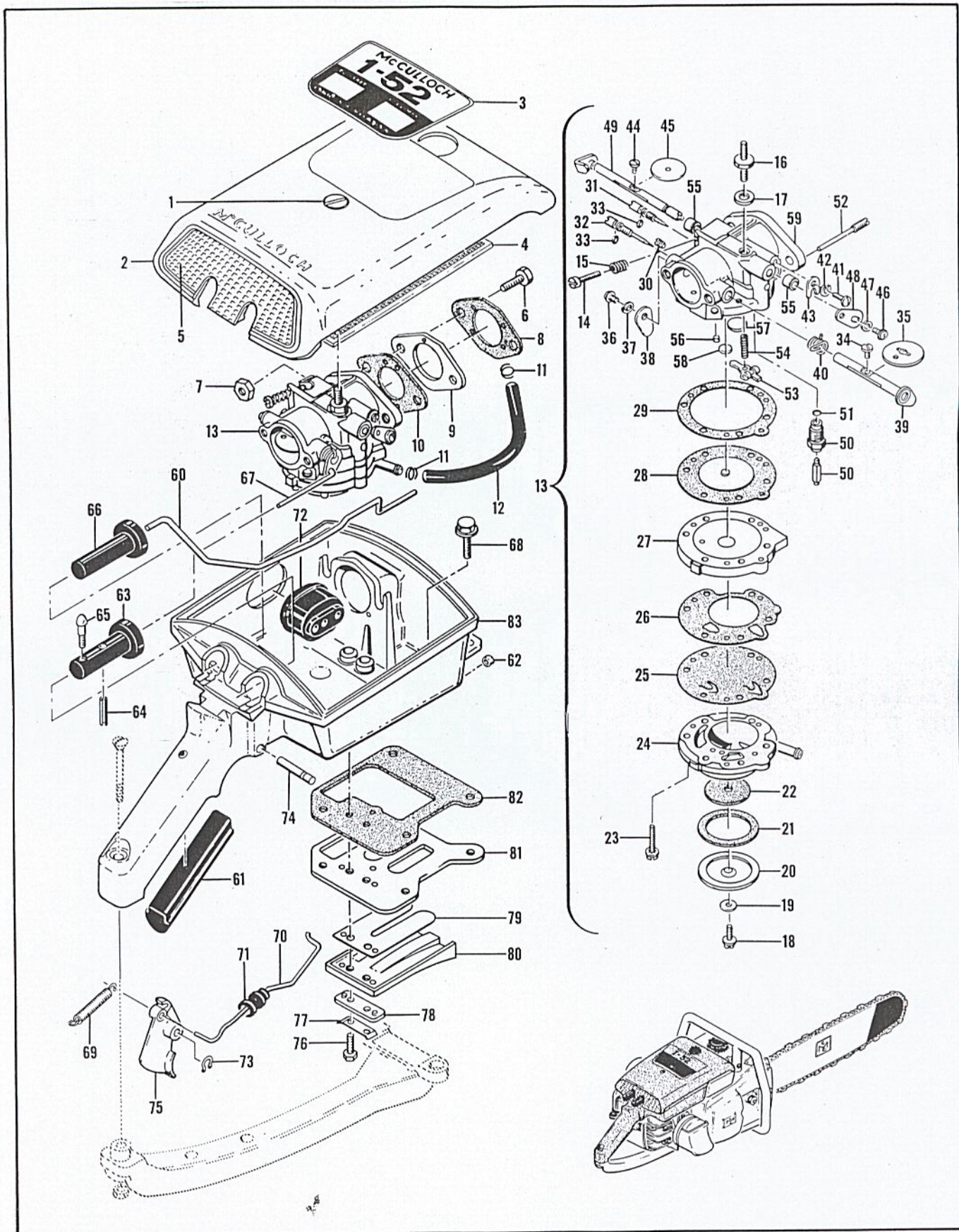


Figure 4. Air Box and Tillotson Carburetor Assembly



FIGURE 4 AIR BOX AND TILLOTSON CARBURETOR ASSEMBLY

Index No.	Part Number	Nomenclature	Units Per Assy
	57187	Cover Assy - Air cleaner .....	1
1	50674	. Nut - Air cleaner attachment .....	1
2		. Cover - Air cleaner .....	1
3	57856	Plate - Name .....	1
4	55497	Screen - Air cleaner .....	1
5	57218	Trim - Air cleaner cover .....	1
6	102121	Screw - Hex hd 1/4-20 x 7/8 in. lg .....	2
7	103242	Nut - Hex 1/4-20 .....	2
8	50123A	Gasket - Carburetor .....	1
9	50686A	Adapter - Tillotson carburetor.....	1
10	55519A	Gasket - Carburetor flange .....	1
11	50742	Clamp - Fuel hose .....	2
12	50097	Hose - Fuel .....	1
13	50687C	Tillotson Carburetor Assy.....	1
14	*50799	. Screw - Idle speed regulating .....	1
15	*51705	. Spring - Idle speed regulating screw .....	1
16	50785	. Stud - Air cleaner attachment .....	1
17	50786A	. Gasket - Air cleaner attachment stud .....	1
18	*50797	. Screw - Fuel strainer cover retaining .....	1
19	50798	. Gasket - Fuel strainer cover retaining .....	1
20	50796	. Cover - Fuel strainer .....	1
21	51704	. Gasket - Fuel strainer cover .....	1
22	*50795	. Element - Fuel strainer .....	1
23	51597	. Screw and Lockwasher - Fuel pump body .....	6
24	50670	. Body - Fuel pump .....	1
25	57574	. Diaphragm - Fuel pump .....	1
26	*51594	. Gasket - Fuel pump .....	1
27	51592	. Cover - Diaphragm .....	1
28	*51590	. Diaphragm .....	1
29	51591	. Gasket - Diaphragm .....	1
30	51589	. Drain Screw - Diaphragm chamber .....	1
31	*51702	. Screw - Idle adjustment .....	1
32	*51712	. Screw - Main adjustment .....	1
33	51703	. Seal Ring .....	2
34	51721	. Screw and Lockwasher - Choke shutter .....	1
35	51587	. Shutter - Choke .....	1
36	51719	. Screw - Choke lever retaining .....	1
37	100261	. Lockwasher - Choke lever retaining .....	1
38	51546	. Lever - Choke .....	1
39	50789	. Shaft and Lever - Choke .....	1
40	55511	. Spring - Choke shaft return .....	1
41	51717	. Screw - Throttle shaft clip .....	1
42	100252	. Lockwasher - Throttle shaft clip .....	1
43	51716	. Clip - Throttle shaft .....	1
44	*51721	. Screw and Lockwasher - Throttle shutter .....	1
45	51720	. Shutter - Throttle .....	1
46	51719	. Screw - Throttle governor lever .....	1
47	100261	. Lockwasher - Throttle governor lever .....	1
48	50804	. Lever - Throttle governor.....	1
49	50803	. Throttle Shaft and Lever .....	1
50	*51707	. Seat and Needle .....	1
51	51708	. Gasket - Inlet seat .....	1
52	*51710	. Screw - Inlet control lever pinion .....	1
53	*51709	. Lever - Inlet control .....	1
54	51711	. Spring - Inlet tension .....	1
	50779B	. Carburetor Body Assy (For service) .....	1
55	51715	. Bushing - Throttle shaft .....	2
56	*51582	. Plug - Body channel cup .....	1
57	*51583	. Plug - Body channel welch .....	1
58	*51584	. Plug - Body channel welch .....	1
59		. Carburetor Body .....	1
	*50806	Gasket and Packing Set .....	1
	50807	Repair Parts Kit .....	1

\*Indicates contents of Repair Parts Kit.

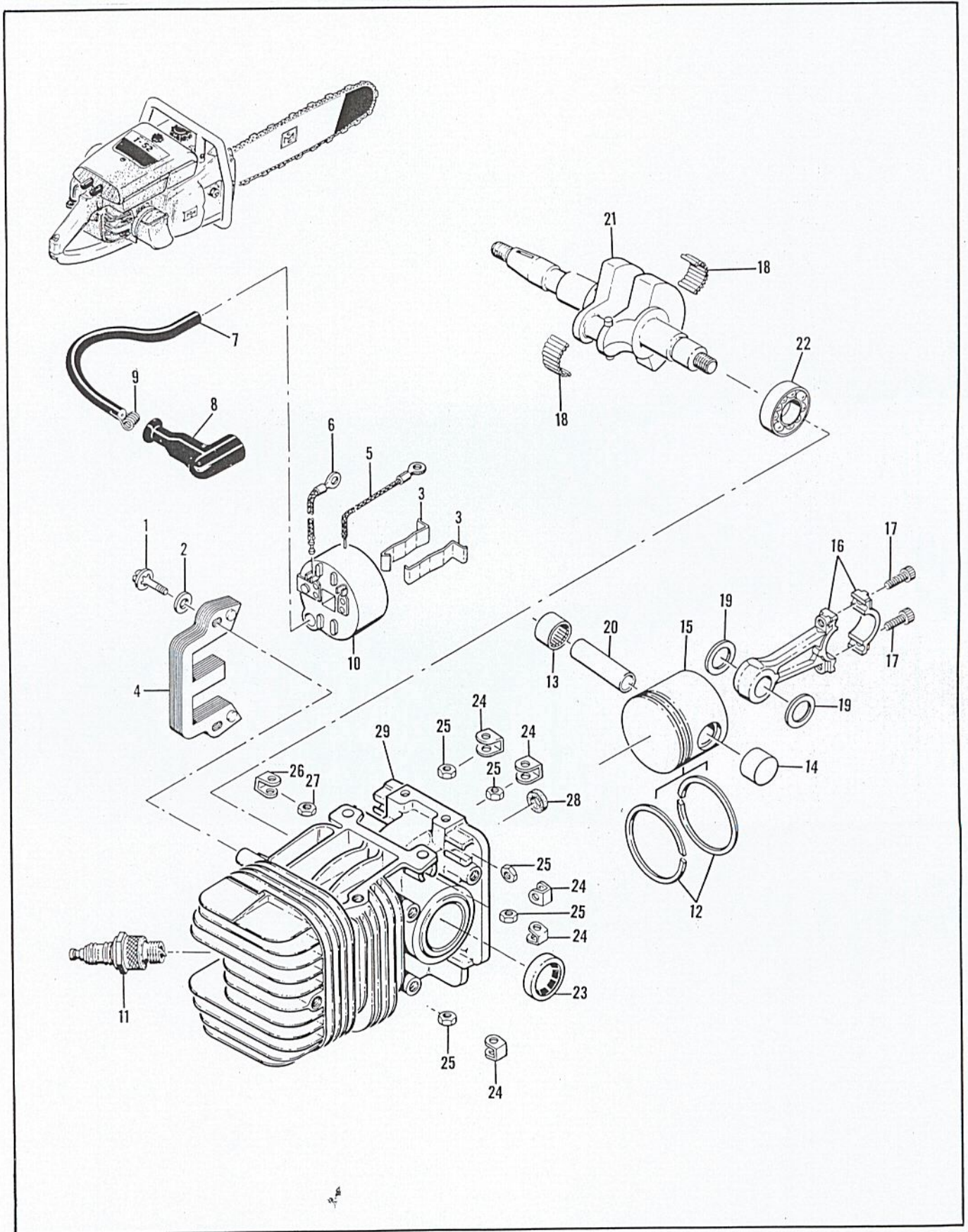


Figure 5. Powerhead Assembly

FIGURE 4. AIR BOX AND TILLOTSON CARBURETOR ASSEMBLY (CONT)

Index No.	Part Number	Nomenclature	Units Per Assy
60	57866	Pushrod - Oiler .....	1
61	50218A	Grip - Handle .....	1
62	55449A	Seal - Chain oiler .....	1
63	50591B	Button - Oiler .....	1
64	101556	Pin - Roll .....	1
65	50776	Screw .....	1
66	50777B	Button - Choke .....	1
67	57134	Rod - Choke .....	1
68	104138	Screw - Hex hd 10-24 x 7/8 in. lg (SEMS) .....	2
	57449D	Airbox Assy .....	1
69	36499	. Spring - Throttle .....	1
70	50684	. Rod - Throttle .....	1
71	51561	. Grommet - Throttle .....	1
72	57105	. Grommet - Carburetor controls .....	1
73	104501	. Retainer - Pin .....	1
74	50507	. Pin .....	1
75	50091B	. Trigger .....	1
76	103740	. Screw - Hex hd 8-32 x 5/8 .....	2
77	51480	. Plate - Lock .....	1
78	57658	. Clamp - Reed .....	1
79	51809A	. Valve - Reed .....	1
80	57654	. Deflector - Fuel .....	1
81	57656A	. Plate - Reed .....	1
82	57145	. Gasket - Airbox .....	1
83		. Airbox .....	1
		(Order Airbox Assy #57449D)	

FIGURE 5 POWERHEAD ASSEMBLY

Index No.	Part Number	Nomenclature	Units Per Assy
1	104138	Screw - Hex hd 10-24 x 7/8 in. lg .....	2
2	102189	Washer - Plain .....	2
3	51253	Retainer - Coil .....	2
4	51251	Lamination Assy .....	1
	55949A	Coil and Terminal Assy .....	1
5	101883	. Wire Assy - Ground .....	1
6	57225	. Wire Assy - Primary .....	1
7	52547	. Wire Assy - Spark plug .....	1
8	55060	. Boot - Spark plug .....	1
9	55061	. Connector .....	1
10		. Coil Assy .....	1
		(Order Coil and Terminal Assy #55949A)	
11		Plug - Spark 14MM .....	1
	55310A	Piston Assy .....	1
12	55123	. Ring - Piston (Set of 2 rings - chrome top ring) .....	1
13	101206	. Bearing .....	1
14	104378	. Bearing .....	1
15		. Piston .....	1
		(Order Piston Assy #55310A)	
16	55009	Connecting Rod Assy .....	1
17	101356	. Screw - Socket hd 10-32 x 5/8 in. lg .....	2
18	102742	. Rollers - Needle .....	24
19	51209	Washer - Spacer .....	2
20	57198	Pin - Piston .....	1
21	57830	Crankshaft .....	1
22	100824	Bearing - Ball .....	1
	57965	Crankcase Assy .....	1
23	104432	. Seal - Oil .....	1
24	18556A	. Retainer - Nut .....	6
25	101143	. Nut - Hex 1/4-20 .....	6
26	28053	. Retainer - Nut .....	2
27	101326	. Nut - Hex 10-24 .....	2
28	55449A	. Washer - Felt .....	1
29		. Crankcase .....	1
		(Order Crankcase Assy #57965)	

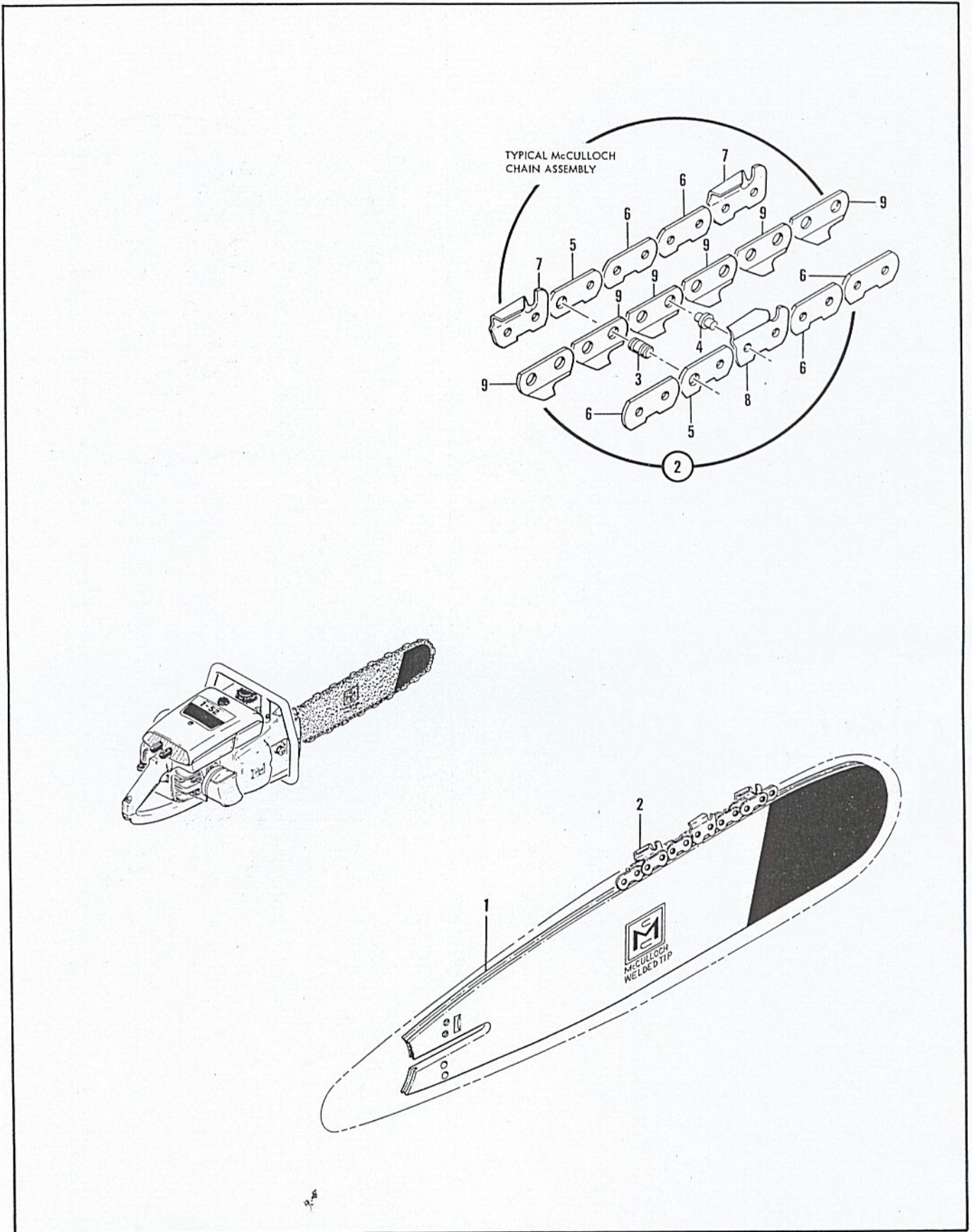


Figure 6. Bar and Chain Assembly

FIGURE 6 BAR AND CHAIN ASSEMBLY

Index No.	Part Number	Nomenclature	Units Per Assy
1	50361	Bar - Flame hardened - .185 in. wide - 12''	1
	51403B	Bar - Hard faced - .185 in. wide - 12''	1
	52551	Bar - Flame hardened - .185 in. wide - 18''	1
	51405A	Bar - Hard faced - .185 in. wide - 18''	1
	51407A	Bar - Hard faced - .185 in. wide - 24''	1
	51409A	Bar - Hard faced - .185 in. wide - 30''	1
	50607	Laminated Bar - Flame hardened - 12''	
	50606	Laminated Bar - Hard faced - 12''	
	50347	Laminated Bar - Flame hardened - 18''	
	50346	Laminated Bar - Hard faced - 18''	
	50348	Laminated Bar - Hard faced - 24''	
2		Typical McCulloch "P" Series Chain Assy	
3	.	Master Pin	
4	.	Rivet	
5	.	Master Side Link	
6	.	Side Link	
7	.	Cutter - Left side	
8	.	Cutter - Right side	
9	.	Center Link	

TOOLS AND ACCESSORIES

Part Number	Nomenclature
*51445	Wrench and Screwdriver Combination
*57858	Owners' Manual of Operating Instructions
*57860	Illustrated Parts List
51443	Spike
36248	Wrench - Spark plug
18413A	Feeler Gauge
102094	Chain Grinding Fixture
102449	McCulloch Yellow Paint (12 oz spray bomb type)
56409	McCulloch Oil (1 quart)
56404	McCulloch (12 oz can)
56224	Chain Breaker - Rivet Spinner
56250	Depth Gauge - .025 - .040
56251	Depth Gauge - .045 - .060

\*Indicates items furnished with each saw

OVERSIZE PISTON ASSEMBLY

Part Number	Nomenclature	Units Per Assy
55323A	Piston Assembly, .020 oversize	1
55125	Ring - Piston .020 oversize (Set of 2 rings)	1