

Illustrated Parts List

McCULLOCH

1-50

CHAIN SAW

(#50577 1-50 NOV. 1959⁽²⁾)

McCULLOCH CORPORATION

6101 West Century Blvd., Los Angeles 45, Calif.

ILLUSTRATIONS

	Page
Figure 1. Engine Exploded View - General	2
Figure 2. Starter and Crankcase Cover Assemblies	4
Figure 3. Air Box and McCulloch Carburetor Assembly	6
Figure 4. Oiler, Fuel Tank and Powerhead Assemblies	8
Figure 5. Bar and Chain Assembly	10
Tools and Accessories	11

NOTE: A complete parts price list is available upon request.

The following pages contain an illustrated parts list for the 1-50 Chain Saw. Due to small differences between saws, it is important that the Serial Number of your saw be included whenever spare parts are ordered. This will assure receiving the proper parts from your dealer.

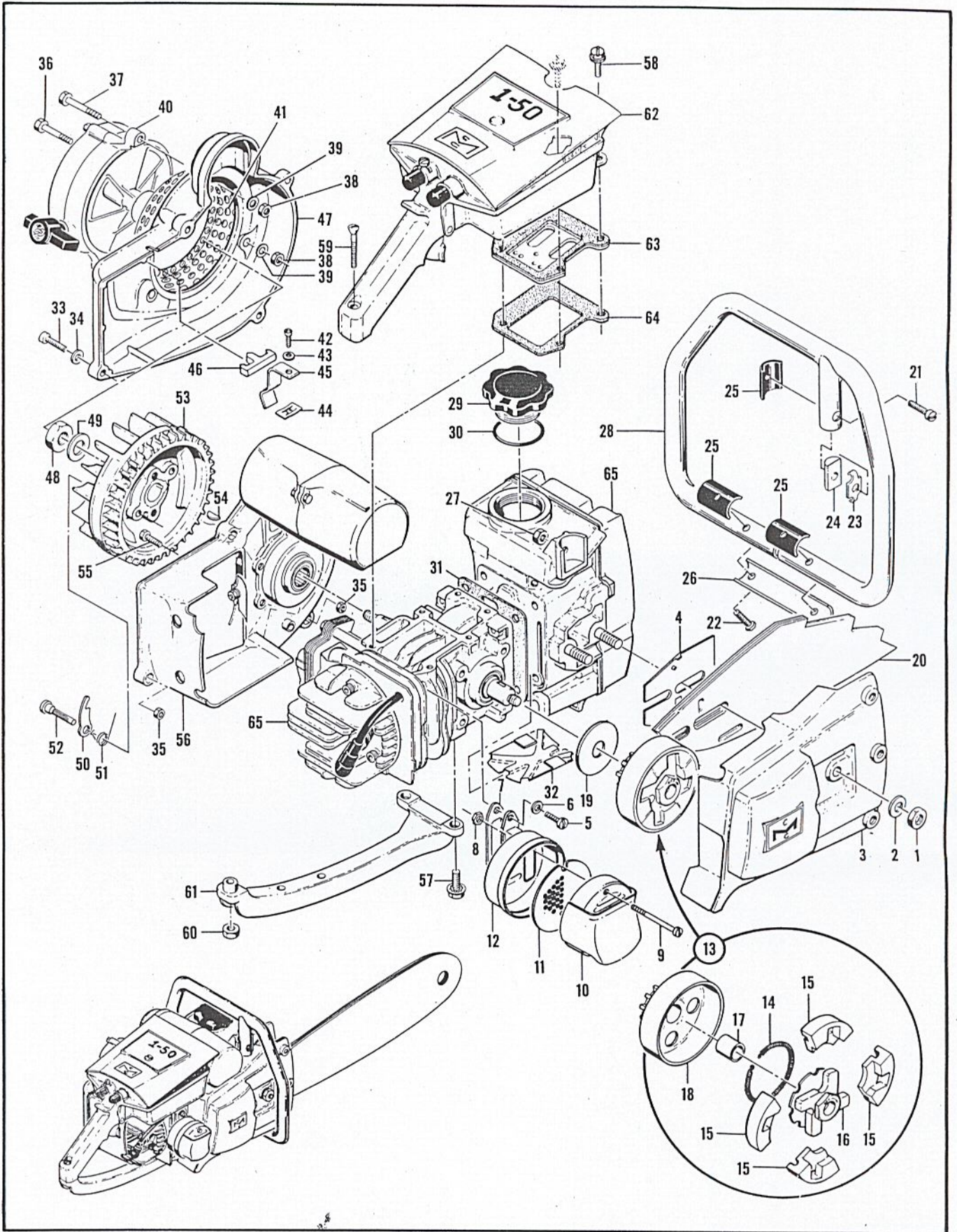


Figure 1. Engine Exploded View - General

FIGURE 1 ENGINE EXPLODED VIEW—GENERAL

Index No.	Part Number	Nomenclature	Units Per Assy
1	103729	Nut - Hex 3/8-24	2
2	100006	Washer - Plain 3/8	2
3	50072B	Guard - Clutch	1
4	50352	Cover - Bar	1
5	102388	Screw - Hex hd 10-24 x 5/8 in. lg	2
6	103100	Washer	2
7	36093	Gasket - Muffler	1
	51966	Muffler Assy	1
8	101191	. Nut	2
9	103361	. Screw	2
10	51979	. Top Assy	1
11	51968	. Baffle Assy	1
12	51975	. Bottom Assy	1
13		Clutch Sprocket and Drum and Bearing Assy	1
	50060	Clutch Assy	1
14	51468	. Spring - Shoe	1
15	51464A	. Shoe - Clutch	4
16	50144	. Rotor Assy - Clutch	1
	50129	Sprocket, Drum and Bearing Assy	1
17	50128	. Bushing	1
18	51775A	. Sprocket and Drum Assy	1
19	50132	Washer - Sprocket Assy	1
20		Bar and Chain Assy (See figure 5)	1
21	100416	Screw - Fil hd 1/4-20 x 1 in. lg	1
22	103259	Bolt - Hex hd 1/4-20 x 1-3/8 in. lg	2
23	50064	Washer - Square	1
24	50063	Saddle	3
25	50062	Insulator	3
26	50215	Clamp - Frame	1
27	101143	Nut - Hex 1/4-20	3
28	50212A	Frame	1
29	36200	Cap Assy - Fuel	1
30	101348	"O" ring	1
31	50141A	Gasket - Bottom	1
32	50497	Pickup - Condensate oil	1
33	102761	Screw - Fil hd 10-24 x 7/8 in. lg	4
34	102189	Washer - Plain	4
35	101191	Nut - Hex 10-24	2
36	102760	Screw - Hex hd 10-24 x 1.00 in. lg	2
37	102764	Screw - Hex hd 10-24 x 1.25 in. lg	1
38	101191	Nut - Hex 10-24	3
39	102189	Washer - No. 10	3
40	50529	Starter Assy (See figure 2)	1
41	50581	Guard - Sawdust	1
	50029B	Fan Housing Assy	1
42	101454	. Screw - Pan hd #8 x 3/8 in. lg	1
43	100080	. Washer - No. 8	1
44	102399	. Speednut	1
45	50818	. Spring - Switch	1
46	50817	. Button - Switch	1
47		. Housing - Fan (Order Fan Housing Assy #50029B)	1
48	101179	Nut - Hex 7/16	1
49	101270	Washer - Special	1
		Flywheel and Pawl Assy	1
50	24093	Pawl - Starter	2
51	50582	Spring - Pawl	2
52	36144	Pin - Pawl	2
53	50003A	Flywheel Assy	1
54	100199	Key - Woodruff No. 3	1
55	55494	Screw - Hex hd 10-24 x 3/4 in. lg	6
56		Crankcase Cover Assy (See figure 2)	1
57	100882	Screw - Hex hd 1/4-20 x 3/4 in. lg	2
58	102289	Screw - Hex hd 10-24 x 3/4 in. lg	2
59	104155	Screw - Oval hd 10-24 x 1-1/2 in. lg	1
60	101191	Nut - Hex 10-24	1
61	50041	Brace - Handle	1
62		Air Box and Carburetor Assy (See figure 3)	1
63		Reed Plate Assy (See figure 3)	1
64	50032A	Insulator - Reed Plate (Reed plate and engine)	1
65		Oiler, Fuel Tank and Powerhead Assemblies (See figure 4)	1

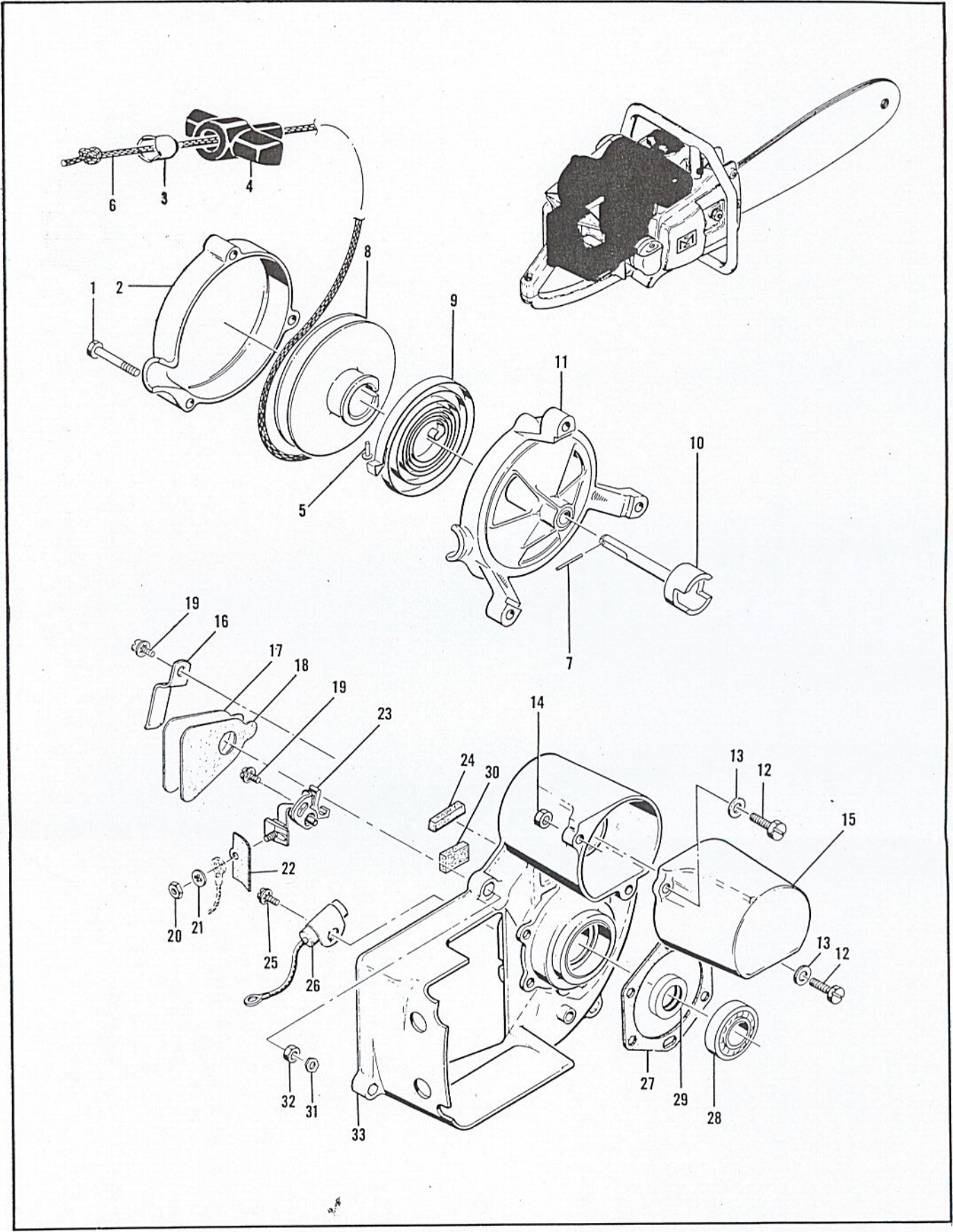


Figure 2. Starter and Crankcase Cover Assemblies

FIGURE 2. STARTER AND CRANKCASE COVER ASSEMBLIES

Index No.	Part Number	Nomenclature	Units Per Assy
	50529	Starter Assy	1
1	103725	. Screw - 10-24 x 1.00 (SEMS)	3
2	50552	. Cover - Starter	1
3	24818	. Cup - Starter handle	1
4	24822	. Handle - Starter	1
5	101136	. Rivet	1
6	28716	. Rope - Starter	1
7	103047	. Pin	1
8	51848C	. Drum - Starter	1
9	51665	. Spring - Rewind	1
10	50549	. Shaft - Starter	1
11	50547	. Base - Starter	1
12	102761	Screw - Hex hd 10-24 x 7/8 in. lg	2
13	102189	Washer - Plain	2
14	101191	Nut - Hex 10-24	2
15	50522	Cover Cup	1
16	50671	Retainer - Breaker box cover	1
17	50588	Cover - Breaker box	1
18	50589	Gasket - Breaker box	1
19	103672	Screw - 8-32 x 1/2 in. lg (SEMS)	2
20	100251	Nut - 8-32	1
21	100057	Lockwasher - No. 8 internal	1
22	50381	Insulator - Breaker terminal	1
23	50076A	Breaker Assy	1
24	50664	Felt - Breaker box	1
25	103672	Screw - 8-32 x 1/2 in. lg (SEMS)	1
26	50074	Condenser	1
27	51240	Gasket - Crankcase	1
28	100824	Bearing - Ball	1
	50515	Cover - Crankcase Assy	1
29	50663	. Seal - Oil	1
30	54184	. Wiper - Felt	1
31	28935	. Retainer - Nut	3
32	101191	. Nut - Hex 10-24	3
33		. Cover - Crankcase (Order Crankcase Cover Assy #50515)	1

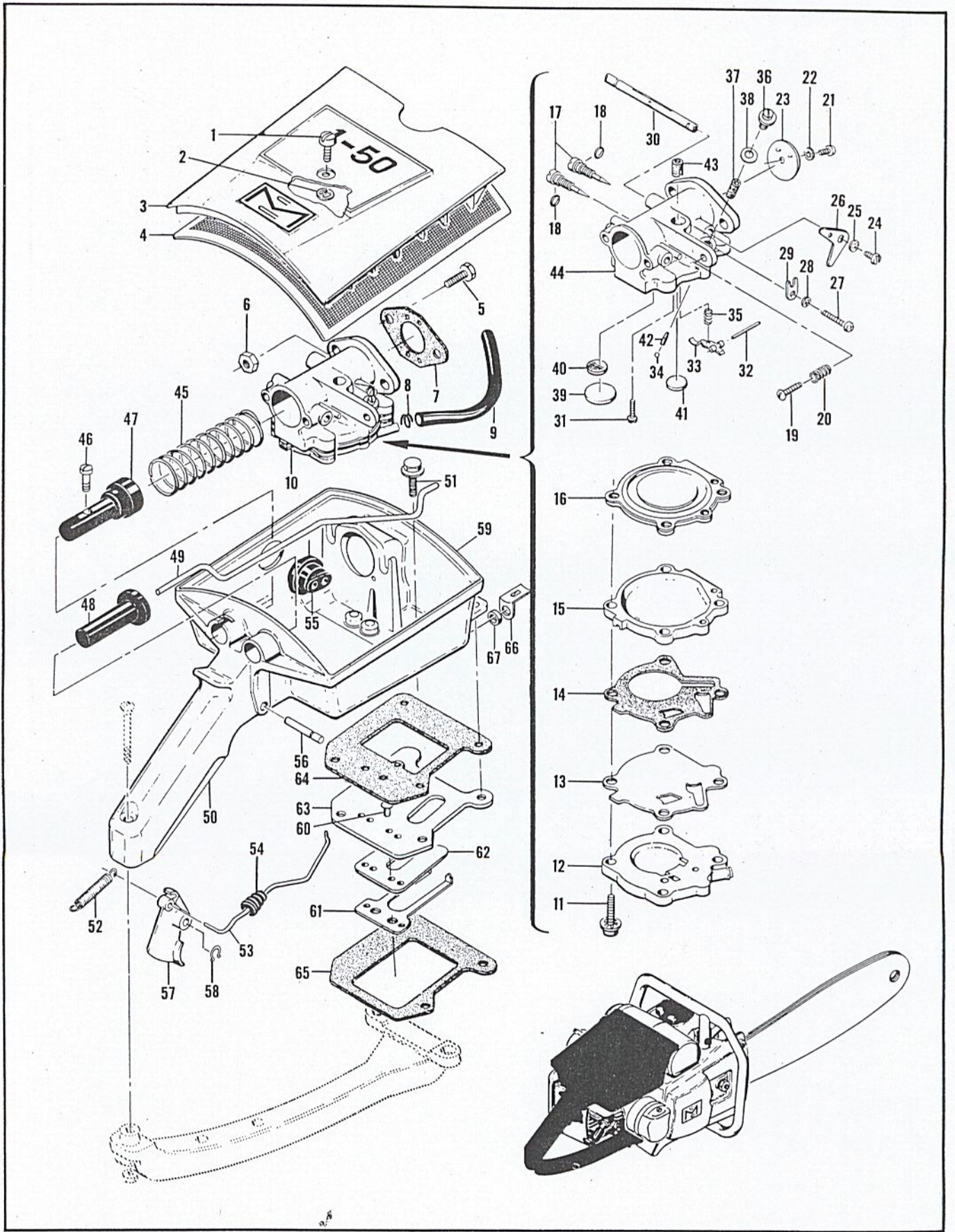


Figure 3. Air Box and McCulloch Carburetor Assembly

FIGURE 3 AIR BOX AND McCULLOCH CARBURETOR ASSEMBLY

Index No.	Part Number	Nomenclature	Units Per Assy
1	50822	Cover Assy - Cleaner	1
2	51351	. Screw - Special	1
3	103741	. Speednut	1
4		. Cover - Air cleaner	1
5	55497 -	Screen - Air cleaner	1
6	100882	Screw - Hex hd 1/4-20 x 3/4 in. lg	2
7	103242	Nut - Hex 1/4-20	2
8	50123A	Gasket - Carburetor	1
9	50742	Clamp - Fuel hose	2
10	50097	Hose - Fuel	1
11	50070C	McCulloch Carburetor & Fuel Pump Assy	1
12	104138	. Screw - Hex hd (SEMS) 10-24 x 0.88 in. lg	4
13	55171A	. Body - Fuel pump	1
14	55070	. Diaphragm - Fuel pump	1
15	55069A	. Gasket - Fuel pump	1
16	55068A	. Plate Diaphragm	1
17	55067	. Diaphragm	1
18	55090	. Needle - Metering	2
19	104001	. "O" ring	2
20	55397	. Screw - Rd hd 8-36 x 0.94 in. lg	1
21	51705	. Spring - Idle screw	1
22	104000	. Screw - Pan hd 4-40 x 1/4 in. lg	1
23	103540	. Lockwasher - Internal	1
24	55085	. Plate - Butterfly	1
25	104000	. Screw - Pan hd 4-40 x 1/4 in. lg	1
26	103540	. Lockwasher - Internal	1
27	50701	. Arm - Throttle shaft	1
28	102219	. Screw - Fil hd 8-32 x 1/4 in. lg	1
29	100252	. Lockwasher - No. 8	1
30	55082	. Clip - Throttle shaft	1
31	50493	. Shaft - Throttle	1
32	50494	. Body Assy - Carburetor	1
33	104164	. Screw - Pan head 4-40 x 1/4 in. lg	1
34	55065	. Pin - Inlet lever	1
35	55066	. Lever - Inlet control	1
36	100302	. Ball - 1/8 in. dia	1
37	55084	. Spring - Inlet lever	1
38	55360	. Plug - Filter	1
39	55348	. Filter - Fuel	1
40	50126	. Gasket	1
41	104145	. Plug - Expansion 3/4"	1
42	55063	. Filter - Carburetor	1
43	102758	. Plug - Expansion 1/2"	1
44	55343	. Seat - Ball check	1
45	101616	. Insert - Tap lock 1/4-20	1
46		. Carburetor Body	1
47	50147A	Spring - Choke	1
48	50776	Screw - Self tapping	1
49	50148B -	Button - Choke	1
50	50591A -	Button - Oiler	1
51	50568	Push Rod - Oiler	1
52	50218	Grip - Handle	1
53	104138	Screw - 10-24 x 7/8 in. lg (SEMS)	2
54	50566	Airbox Assy	1
55	36499	. Spring - Throttle	1
56	50590	. Rod - Throttle	1
57	51561 -	Grommet - Throttle	1
58	50089	. Grommet - Carburetor controls	1
59	50507	. Pin	1
60	50091B	. Trigger	1
61	104231	. Retainer	1
62		. Box - Air	1
63	50747A -	Reed Plate Assy	1
64	104348 -	. Rivet	2
65	51810A -	. Guard - Reed	1
66	51809A -	. Reed	1
67	50748A -	. Plate - Reed	1
68	50026B -	Gasket - Air box	1
69	50032A	Insulator - Reed plate	1
70	57061 -	Retainer - Push rod seal	1
71	55449 -	Seal - Oiler plunger	1

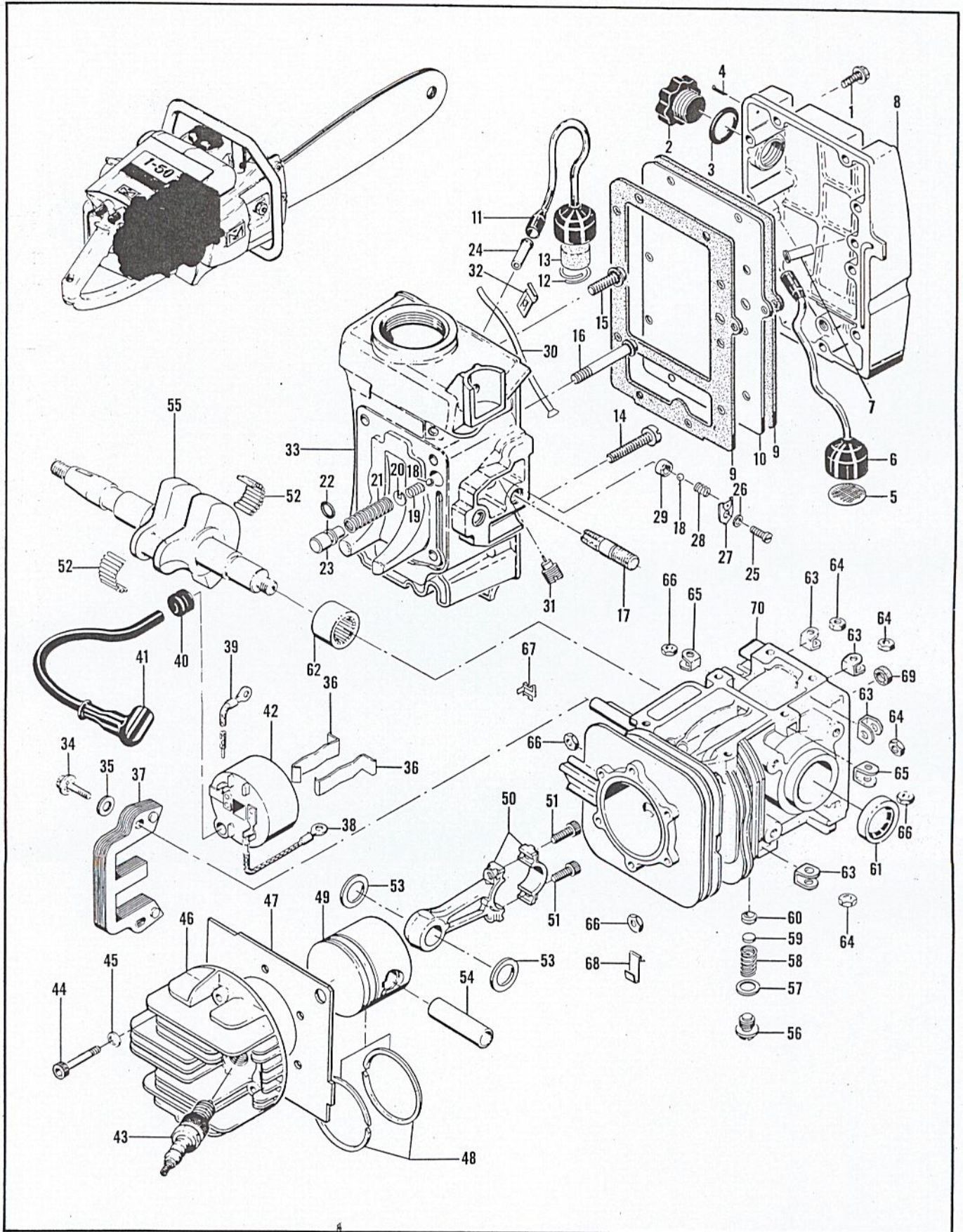


Figure 4. Chain Oiler, Fuel Tank and Powerhead Assemblies

FIGURE 4 CHAIN OILER, FUEL TANK AND POWERHEAD ASSEMBLIES

Index No.	Part Number	Nomenclature	Units Per Assy
1	103464	Screw - Hex hd 10-24 x 3/4 in. lg (SEMS)	10
	50513	Tank Assy - Oil	1
2	52388	Cap - Filler	1
3	101148	"O" ring	1
4	100010	Pin - Cotter	1
5	51506	Screen - Oil filter	1
6	50082	Hose - Fuel, flex	1
7	28042	Tube - Fuel hose	1
8		Tank - Oil (Order Assy #50513)	1
9	50034B	Gasket	2
10	50583	Plate	1
11	50082	Hose - Fuel, flex	1
12	50440	Retainer - Fuel filter	1
13	50124A	Filter	1
14	36151B	Screw - Blade adjusting	1
15	50340	Screw Assy - Sealing	3
16	50569	Screw Assy - Sealing	1
	50517	Tank - Fuel and oil pump assy	1
17	50051	Stud - Blade mounting	2
18	100549	Ball - 0.188 dia	2
19	51944	Spring - Inlet oil	1
20	50570	Seat - Spring	1
21	51946	Spring - Oiler piston	1
22	103198	"O" ring	1
23	51940	Piston - Oiler	1
24	28042	Tube - Fuel hose	1
25	102219	Screw - Fil 8-32 x 1/4 in. lg	1
26	100057	Lockwasher	1
27	51941	Retainer - Outlet valve spring	1
28	51945	Spring - Outlet valve	1
29	51943	Seat - Outlet valve	1
30	50501	Tube - Vent	1
31	50505A	Orifice Assy - Fuel vent	1
32	104230	Nut	1
33	50525	Tank Assy - Fuel	1
34	104138	Screw - Fil hd 10-24 x 7/8 in. lg (SEMS)	2
35	102189	Washer - Plain	2
36	51253	Retainer - Coil	2
37	51251	Lamination Assy	1
	50121	Coil and Terminal Assy	1
38	101883	Wire Assy - Ground	1
39	50137	Wire Assy - Primary	1
40	100268	Grommet	1
41	50120	Wire Assy - Spark plug	1
42		Coil Assy (Order Coil and Terminal Assy #50121)	1
43		Plug - Spark 14 MM	1
44	101563	Screw - Socket hd 10-24 x 1.25 in. lg	6
45	24236	Washer - Plain #10	6
46	55146	Head - Cylinder	1
47	55012B	Gasket - Cylinder head	1
	55007	Piston Assy	1
48	55123	Ring - Piston (Set of 2 rings - chrome top ring)	1
49		Piston (Order Piston Assy #55007)	1
50	55009	Connecting Rod Assy	1
51	101356	Screw - Socket hd 10-32 x .75	2
52	102742	Roller - Needle	24
53	51209	Washer - Thrust	2
54	50207A	Pin - Piston	1
55	50659	Crankshaft	1
	50737	Cylinder Assy - Crankcase	1
56	50092B	Body - Valve	1
57	50126	Gasket - Valve	1
58	50173A	Spring - Valve	1
59	50174	Disk - Valve	1
60	50171	Seat - Valve	1
61	104128	Seal - Oil	1
62	104129	Bearing - Needle	1
63	18556A	Retainer - Nut	6
64	101143	Nut - Hex 1/4-20	6
65	28053	Retainer - Nut	2
66	101326	Nut - Hex 10-24	8
67	57063	Retainer - Nut	4
68	104255	Retainer - Nut	2
69	28092	Washer - Felt	1
70		Cylinder - Crankcase assy (Order Cylinder Assy #50737)	1

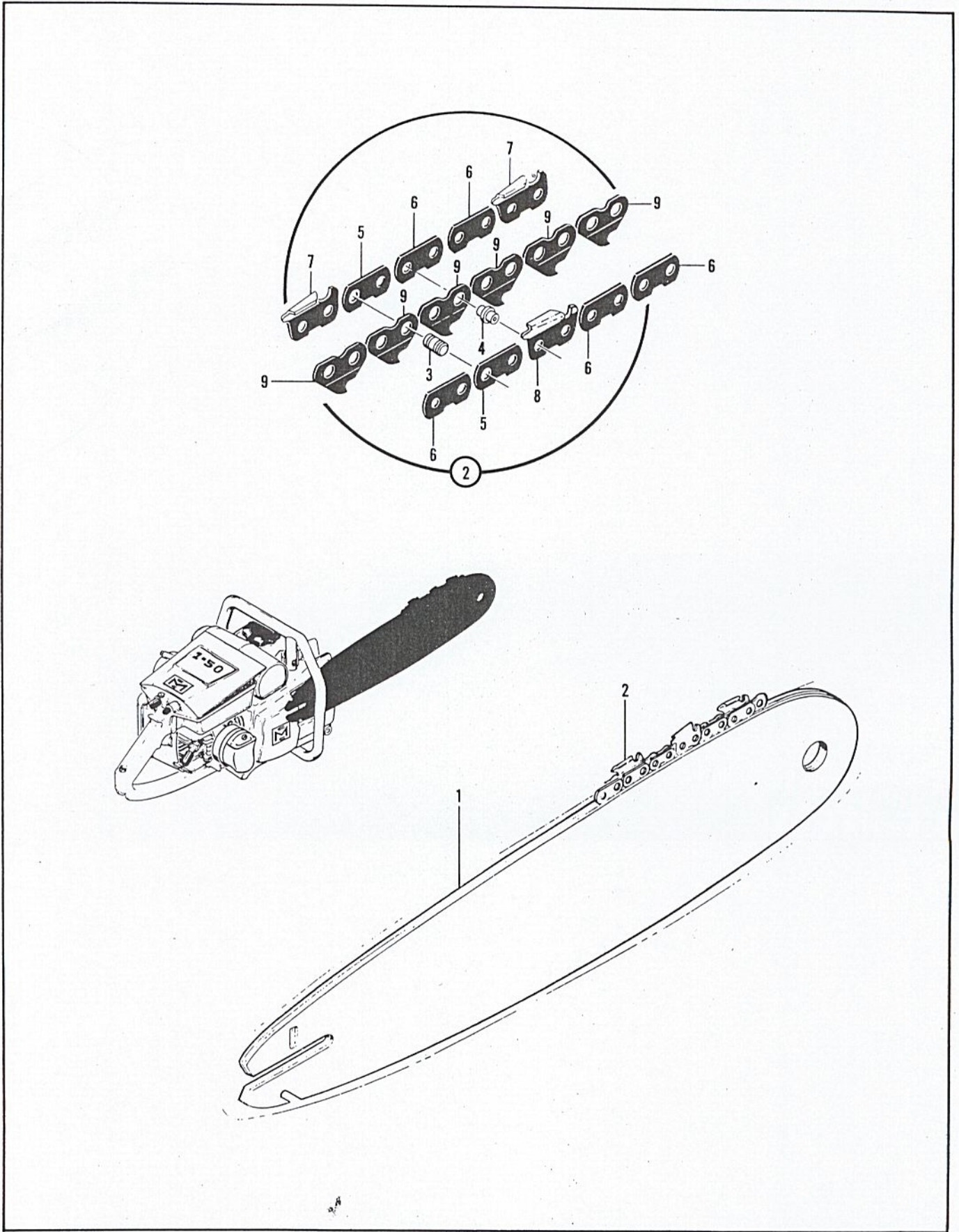


Figure 5. Bar and Chain Assembly

FIGURE 5. BAR AND CHAIN ASSEMBLY

Index No.	Part Number	Nomenclature	Units Per Assy	
1	50361	Bar - Flame Hardened - .185 inch wide - 12''	1	
	51403B	Bar - Hard Faced - .185 inch wide - 12''	1	
	52551	Bar - Flame Hardened - .185 inch wide - 18''	1	
	51405A	Bar - Hard Faced - .185 inch wide - 18''	1	
	51407A	Bar - Hard Faced - .185 inch wide - 24''	1	
	51409A	Bar - Hard Faced - .185 inch wide - 30''	1	
	50607	Laminated Bar - Flame Hardened - 12''		
	50606	Laminated Bar - Hard Faced - 12''		
	50347	Laminated Bar - Flame Hardened - 18''		
	50346	Laminated Bar - Hard Faced - 18''		
	50348	Laminated Bar - Hard Faced - 24''		
	2		Typical McCulloch "P" Series Chain Assy	
		3	. Master Pin	
		4	. Rivet	
5		. Master Side Link		
6		. Side Link		
7		. Cutter - Left side		
8		. Cutter - Right side		
9		. Center Link		

TOOLS AND ACCESSORIES

Part Number	Nomenclature
*51445	Wrench and Screwdriver Combination
*50575	Operation and Maintenance Manual
*50577	Illustrated Parts List
51443	Spike
36248	Wrench - Spark plug
18413A	Feeler Gauge
102094	Chain Grinding Fixture
102449	McCulloch Yellow Paint (12 oz spray bomb type)
102057	McCulloch Oil (1 quart)
102664	McCulloch Oil (12 oz can)
103736	File - Round 7/32 in. diameter
104003	File - Round 3/16 in. diameter
50823	Gasket Set
56224	Chain Breaker - Rivet Spinner
56250	Depth Gauge - .025 - .040
56251	Depth Gauge - .045 - .060

*Indicates items furnished with each saw

OVERSIZE PISTON ASSEMBLY

Part Number	Nomenclature	Units
55058	Piston Assembly .020 oversize	1
55125	Ring - Piston .020 oversize (Set of two rings)	1