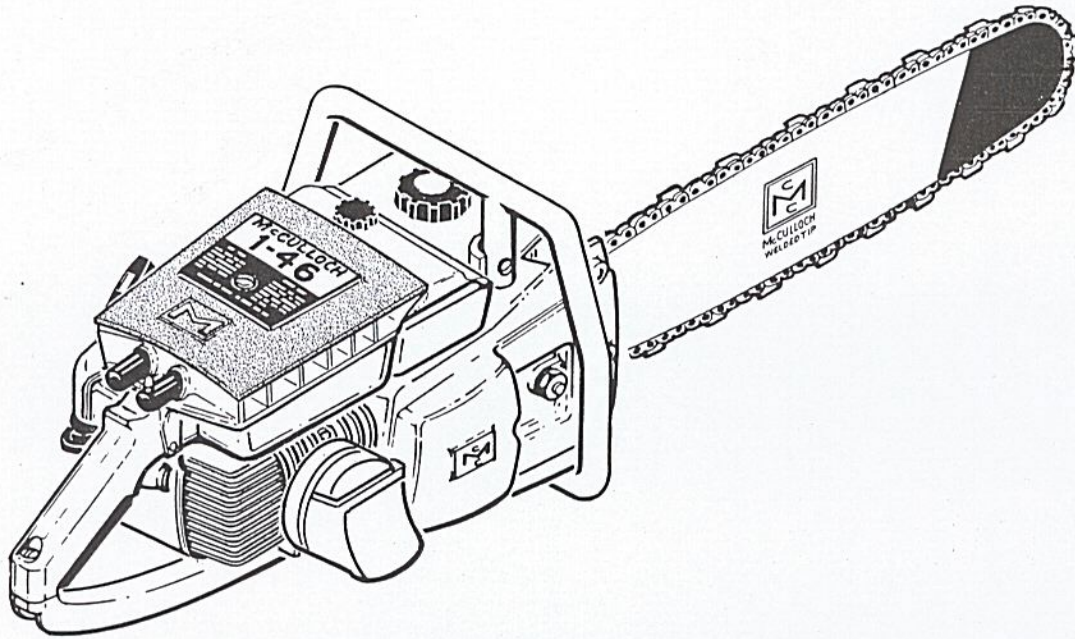


ILLUSTRATED PARTS LIST

MAY 1962



The following pages contain an illustrated parts list for the Model 1-46 Chain Saw. Due to small differences between saws, it is important that the Serial Number of your saw be included whenever spare parts are ordered. This will assure receiving the proper parts from your dealer.

	Page
Figure 1. Engine Exploded View - General	2
Figure 2. Starter and Crankcase Cover Assemblies	4
Figure 3. Oiler Tank and Fuel Tank Assemblies	6
Figure 4. Air Box and McCulloch Carburetor Assembly ..	8
Figure 5. Powerhead Assembly	10
Figure 6. Bar, Chain and Clutch Guard Assembly	12



McCULLOCH CORPORATION
8101 West Century Boulevard,
Los Angeles 45, California

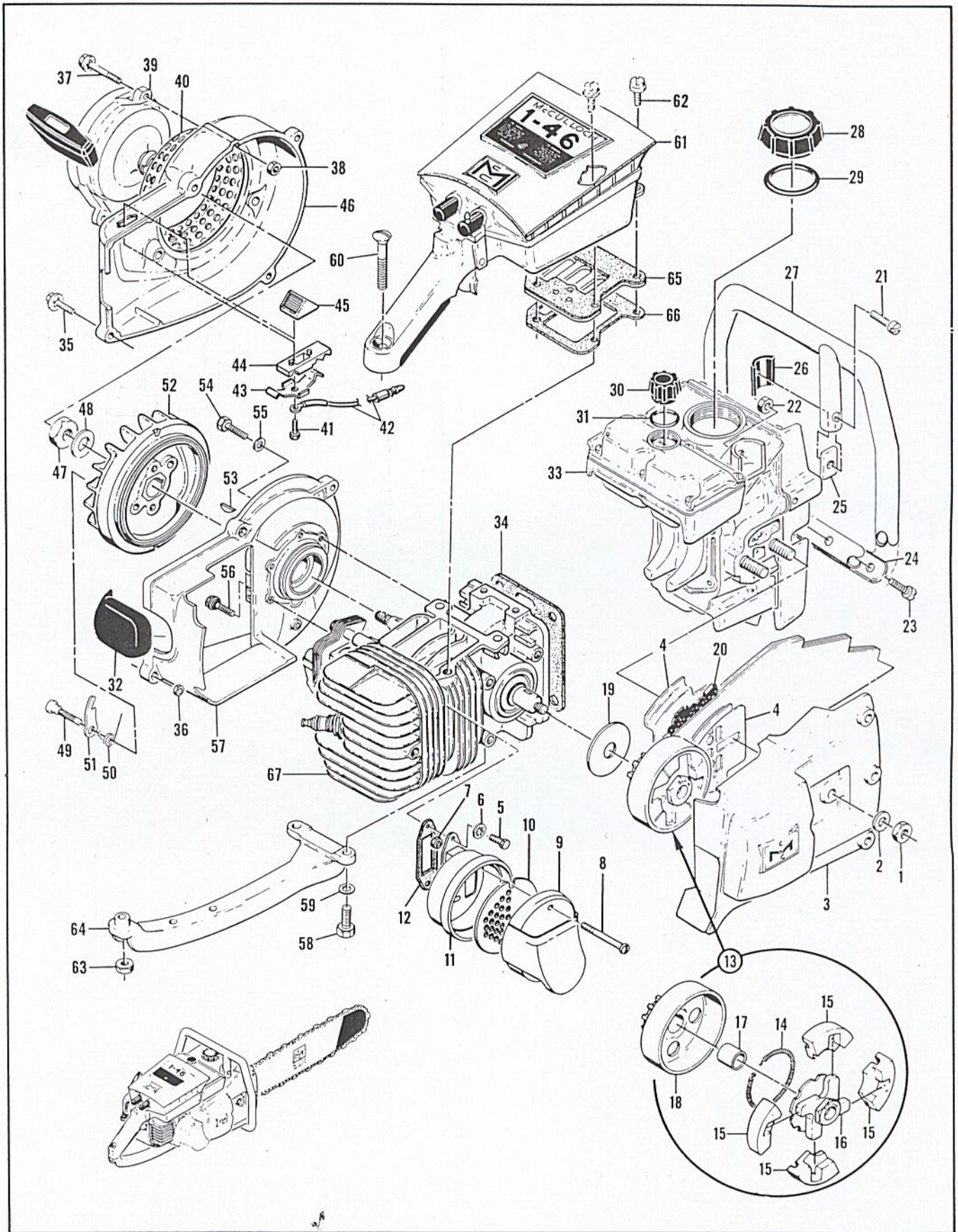


Figure 1. Engine Exploded View - General

FIGURE 1. ENGINE EXPLODED VIEW—GENERAL

Index No.	Part Number	Nomenclature	Units Per Assy
1	103729	Nut - Hex 3/8-24	2
2	100006	Washer - Plain 3/8 inch	2
3		Guard Assembly (See figure 6)	1
4	51632B	Plate - Protector	2
5	102388	Screw - Hex hd 10-24 x 5/8 in. lg.	2
6	103100	Washer - Lock #10 internal	2
	51966	Muffler Assembly	1
7	101191	. Nut - Hex 10-24	2
8	103361	. Screw - Fil hd 10-24 x 1-5/8 in. lg.	2
9	51979	. Top Assy - Muffler	1
10	51968	. Baffle - Muffler	1
11	51975	. Bottom Assy - Muffler	1
12	36093A	Gasket - Muffler	1
13		Clutch, Sprocket, Drum and Bearing Assy	1
	50060B	Clutch Assy	1
14	51468A	. Spring - Clutch	1
15	51464A	. Shoe - Clutch	4
16	50144A	. Rotor Assy - Clutch	1
	50129A	Sprocket, Drum and Bearing Assy	1
17	50128	. Bushing	1
18	51775B	. Sprocket and Drum Assy	1
19	50132	Washer - Sprocket Assy	1
20		Bar and Chain Assy (See figure 6)	1
21	100416	Screw - Fil hd 1/4-20 x 1 in. lg.	1
22	101143	Nut - Hex 1/4-20	3
23	102130	Screw - Hex hd 1/4-20 x 1-1/2 in. lg.	2
24	50215	Clamp - Frame	1
25	57133	Saddle - Frame	1
26	50062	Insulator - Frame	3
27	53569	Frame and Grip Assy	1
28	57128	Cap - Fuel tank	1
29	101348	"O" Ring	1
30	57129	Cap - Oil filler	1
31	101148	"O" Ring	1
32	57565	Cover Assembly - Spark plug	1
33		Oiler Tank and Fuel Tank Assy (See figure 3)	1
34	58166A	Gasket - Bottom	1
35	104138	Screw - Hex hd 10-24 x 7/8 in. lg. (SEMS)	4
36	101191	Nut - Hex 10-24	2
37	104815	Screw - 10-24 x 7/8 in. lg.	3
38	101191	Nut - Hex 10-24	3
39		Starter Assy (See figure 2)	1
40	50581A	Guard - Sawdust	1
	53488	Fan Housing Assy	1
41	103061	. Screw - Fil hd 8-32 x 3/8 in. lg.	1
42	53490	. Wire Assy - Stop switch	1
43	59592	. Contact - Switch	1
44	59591	. Base - Switch	1
45	57718	. Button - Switch	1
46		. Housing - Fan	1
47	101179	Nut - Hex 7/16	1
48	101270	Washer - Special	1
49	36144B	Pin - Starter pawl	2
50	50582	Spring - Pawl	2
51	24093	Pawl - Starter	2
52	48785A	Flywheel Assy	1
53	100199	Key - Woodruff #3	1
54	102289	Screw - Hex hd 10-24 x 3/4 in. lg.	4
55	102189	Washer - Plain #10	3
56	55494	Screw - Sealing (See figure 2)	2
57		Crankcase Cover Assy (See figure 2)	1
58	100882	Screw - Hex hd 1/4-20 x 3/4 in. lg.	2
59	100004	Washer - Plain 1/4 in.	2

This list is continued on page 5

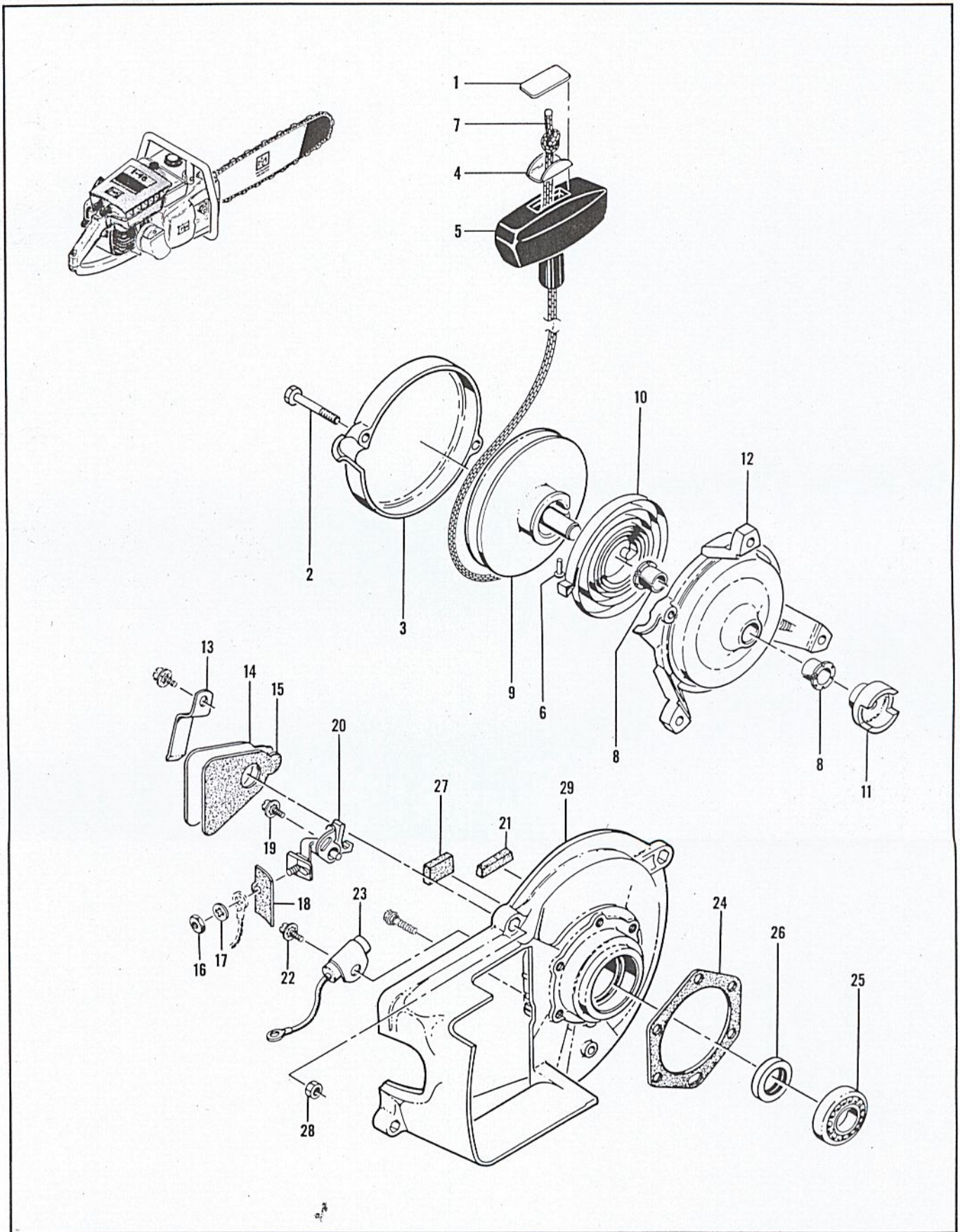


Figure 2. Starter and Crankcase Cover Assemblies

FIGURE 1. ENGINE EXPLODED VIEW — GENERAL (CONT)

Index No.	Part Number	Nomenclature	Units Per Assy
60	104335	Screw - Oval hd 10-24 x 1-3/4 in. lg.	1
61		Air Box and Carburetor Assy (See figure 4)	1
62	104138	Screw - Hex hd 10-24 x 7/8 in. lg.	4
63	101191	Nut - Hex 10-24	1
64	50041	Brace - Handle	1
65		Reed Plate Assy (See figure 4)	1
66	57657	Insulator - Reed plate	1
67		Powerhead Assembly (See figure 5)	1

FIGURE 2 STARTER AND CRANKCASE COVER ASSEMBLIES

Index No.	Part Number	Nomenclature	Units Per Assy
1	57232	Plate - Starter handle	1
	57117B	Starter Assy	1
2	104396	. Screw - Pan hd 10-24 x 3/4 in. lg.	2
3	57102	. Cover - Starter	1
4	57231	. Cup - Starter handle	1
5	57230	. Handle - Starter	1
6	101136	. Rivet	1
7	28716	. Rope - Starter	1
8	57535	. Bushing - Starter base	2
9	57792	. Drum - Starter	1
10	51665	. Spring - Rewind	1
11	57790	. Ratchet - Starter	1
12	57103	. Base - Starter	1
13	50671	Retainer - Breaker cover	1
14	50588	Cover - Breaker box	1
15	50589	Gasket - Breaker box	1
16	100251	Nut - Hex 8-32	1
17	100057	Lockwasher - No. 8 internal	1
18	50381A	Insulator - Breaker terminal	1
19	103672	Screw - Hex hd 8-32 x 1/2 in.lg. (SEMS)	1
20	50076A	Breaker Assy	1
21	50664	Felt Seal - Breaker box drain	1
22	103672	Screw - Hex hd 8-32 x 1/2 in.lg. (SEMS)	1
23	50074	Condenser	1
24	51240	Gasket - Crankcase end cover	1
25	100824	Bearing - Ball	1
	57126A	Crankcase Cover Assy	1
26	50663	. Seal - Oil	1
27	54184	. Wiper - Felt	1
28	101326	. Nut - Hex 10-24	2
29		. Cover - Crankcase (Order Crankcase Assy #57126A)	1

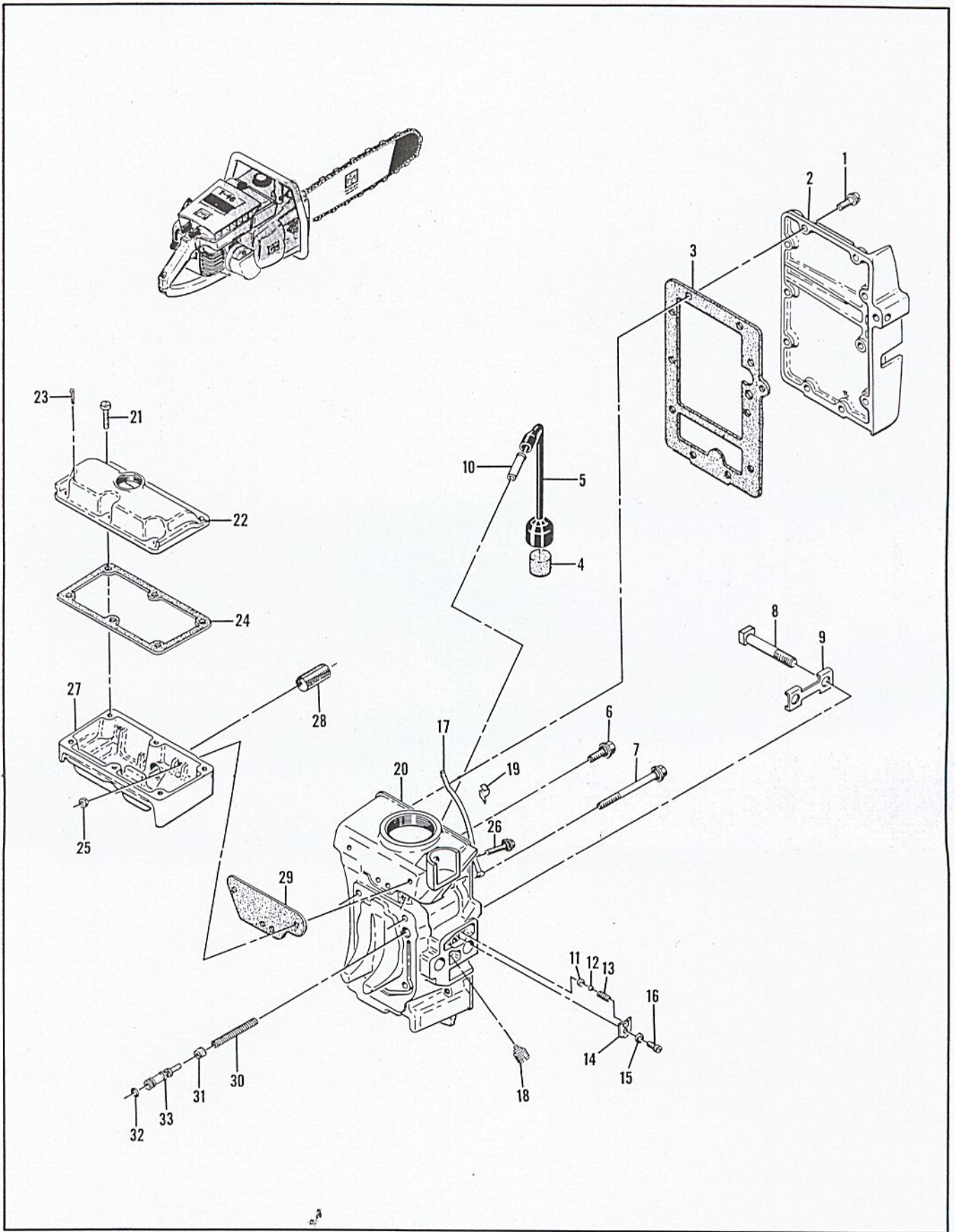


Figure 3. Oiler Tank and Fuel Tank Assemblies

FIGURE 3 OILER TANK AND FUEL TANK ASSEMBLIES

Index No.	Part Number	Nomenclature	Units Per Assy
1	104396	Screw - Pan hd 10-24 x 3/4 in. lg.	10
2	50514	Cover - Fuel tank	1
3	50034B	Gasket - Fuel tank	1
4	50124A	Filter - Fuel	1
5	50082	Hose - Flex	1
6	50340	Screw Assy - Sealing	3
7	50569	Screw Assy - Sealing	1
	53553	Fuel Tank Assy	1
8	57217	. Bolt - Bar mounting	2
9	51439	. Lockplate	1
10	28042	. Tube - Fuel hose	1
11	51943	. Seat - Ball valve	1
12	100549	. Ball - 3/16 in. dia	1
13	51945	. Spring - Outlet	1
14	51941	. Retainer - Ball	1
15	100057	. Lockwasher	1
16	102219	. Screw - Fil hd 8-32 x 1/4 in. lg.	1
17	50501	. Tube - Vent	1
18	50505A	. Orifice Assy - Fuel vent	1
19	104230	. Speednut	1
20		. Tank - Fuel	1
21	104395	Screw - Pan hd 10-24 x 5/8 in. lg.	6
22	57114A	Cover - Oil tank	1
23	100010	Pin - Cotter	1
24	57152	Gasket - Oil tank cover	1
25	101191	Nut - Hex 10-24	3
26	55494	Screw Assy - Sealing	3
27	57112A	Tank - Oiler	1
28	57279	Screen - Oiler	1
29	57147	Gasket - Oiler tank	1
30	18349A	Spring - Oiler piston	1
31	24104	Cup - Oiler piston	1
32	101056	"O" Ring	1
33	57148	Piston - Oiler	1

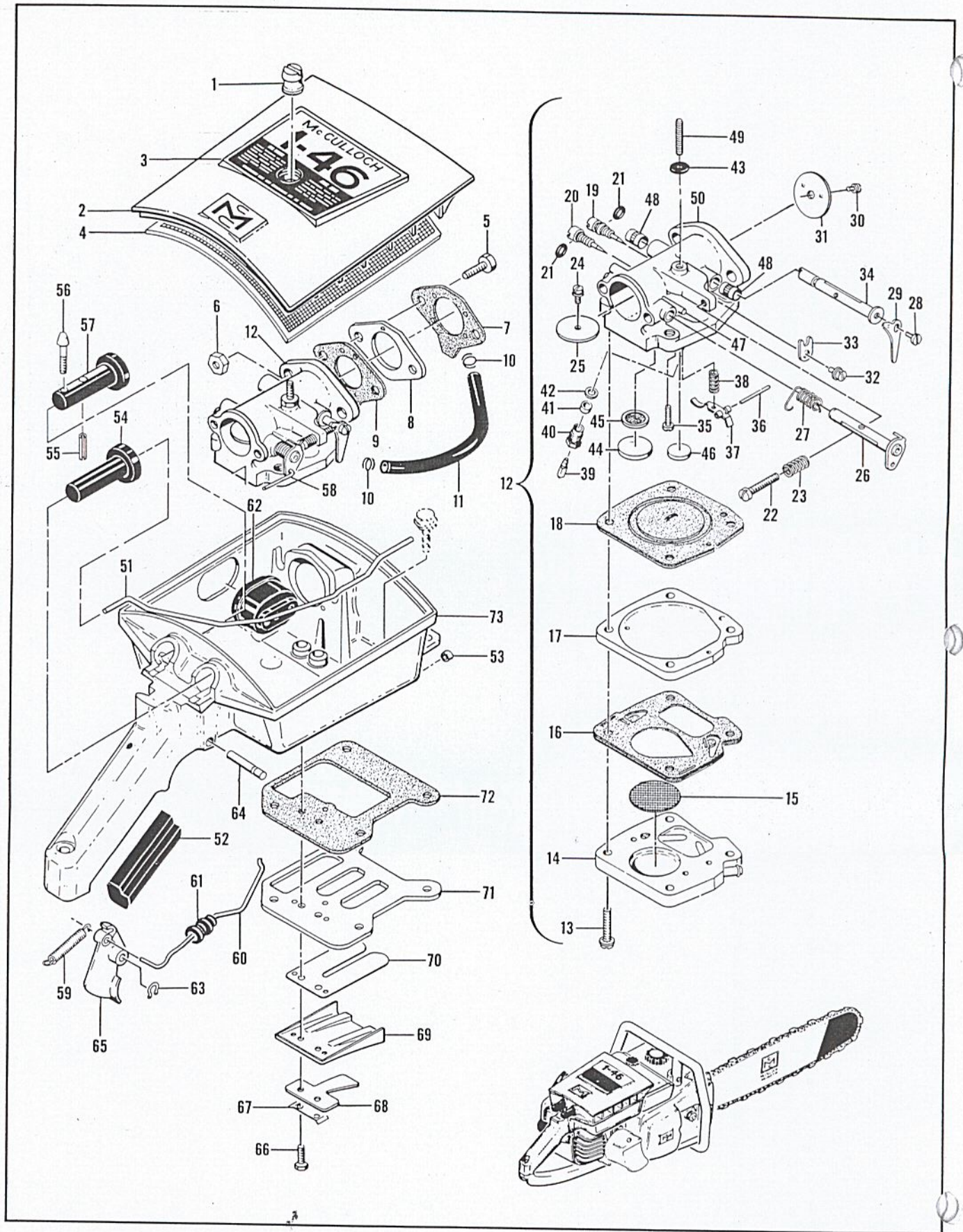


Figure 4. Airbox and McCulloch Carburetor Assembly

FIGURE 4. AIRBOX AND McCULLOCH CARBURETOR ASSEMBLY

Index No.	Part Number	Nomenclature	Units Per Assy
	50822	Cover Assy - Air cleaner	1
1	50674	. Nut - Air cleaner attachment	1
2		. Cover - Air cleaner (Order Assy #50822)	1
3	53508	Plate - Name	1
4	55497	Screen - Air cleaner	1
5	100882	Screw - Hex hd 1/4-20 x 3/4 in. lg	2
6	103242	Nut - Hex 1/4-20	2
7	50123B	Gasket - Carburetor	1
8	53189	Adapter - McCulloch carburetor	1
9	50123B	Gasket - Carburetor flange	1
10	50742	Clamp - Fuel hose	2
11	50097	Hose - Fuel	1
12	53320A	McCulloch Carburetor and Fuel Pump Assy	1
13	104520	. Screw - 10-24 x 7/8 in. lg (SEMS)	4
14	57667	. Body Assy - Fuel pump	1
15	57277	. Filter - Fuel pump	1
16	57274A	. Diaphragm Assy - Fuel pump	1
17	57272A	. Plate - Carburetor diaphragm	1
18	55067C	. Diaphragm	1
19	53312	. Needle - Idle adjustment	1
20	53311	. Needle - Main adjustment	1
21	104001	. "O" Ring	2
22	55397	. Screw - Idle adjustment	1
23	51705	. Spring - Idle screw	1
24	104814	. Screw - 4-40 x 1/4 in. lg (SEMS)	1
25	55085	. Plate - Choke	1
26	53280	. Shaft Assy - Choke	1
27	55089	. Spring - Choke return	1
28	104814	. Screw - 4-40 x 1/4 in. lg (SEMS)	1
29	53192	. Arm - Throttle shaft	1
30	104814	. Screw - 4-40 x 1/4 in. lg (SEMS)	1
31	53309	. Plate - Throttle	1
32	104570	. Screw - 8-32 x 1/4 in. lg (SEMS)	1
33	55082	. Clip - Throttle shaft	1
34	50350	. Shaft - Throttle assy	1
35	104164	. Screw - Pan hd 4-40 x 1/4 in. lg	1
36	104305	. Pin - Inlet lever	1
37	55688	. Lever - Inlet control	1
38	57172	. Spring - Inlet control	1
39	55476	. Valve - Needle	1
40	55475	. Body - Needle valve	1
41	55474	. Seat - Needle valve	1
42	55689	. Washer - Needle valve	1
43	100283	. Grommet	1
	53325A	. Body Assy - Carburetor	1
44	104407	. Plug - Expansion	1
45	55690B	. Seal - Capillary	1
46	102758	. Plug - Expansion	1
47	104210	. Pin - Groove	1
48	55062A	. Bushing - Throttle shaft	2
49	48611	. Stud	1
50		. Carburetor Body (Order Assy #53325A)	1
51	57062	Pushrod - Oiler	1
52	50218A	Grip - Handle	1
53	55449A	Seal - Chain oiler push rod	1
54	50591B	Button - Oiler	1
55	101556	Pin - Roll	1
56	50776	Screw	1
57	50777B	Button - Choke	1
58	57134	Rod - Choke	1
	57449D	Airbox Assembly	1
59	36499	. Spring - Throttle	1

This list is continued on page 11

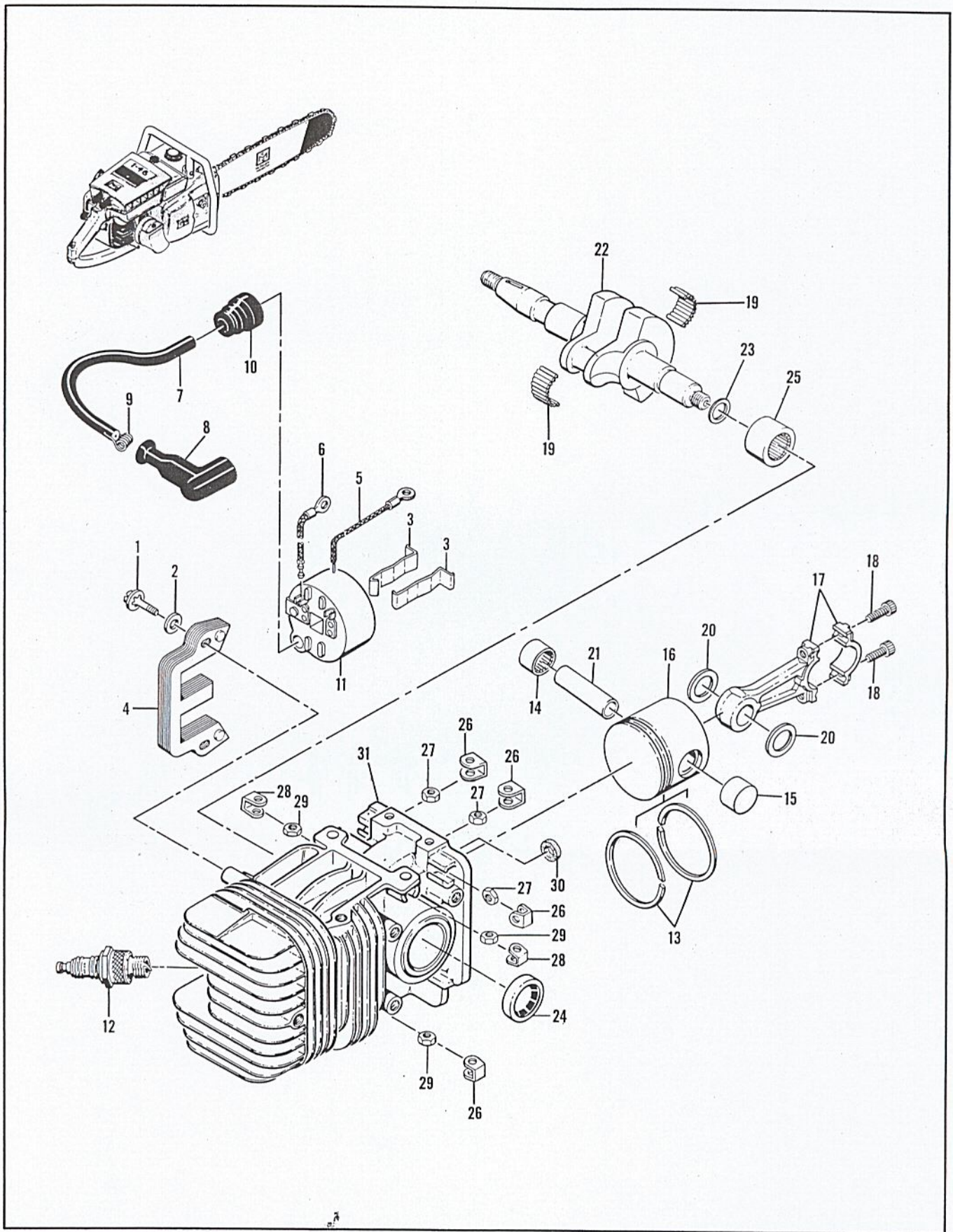


Figure 5. Powerhead Assembly

FIGURE 4. AIRBOX AND McCULLOCH CARBURETOR ASSEMBLY (CONT)

Index No.	Part Number	Nomenclature	Units Per Assy
60	53279	. Rod - Throttle	1
61	51561A	. Grommet - Throttle	1
62	53277	. Grommet - Carburetor control	1
63	104501	. Retainer - Pin	1
64	50507	. Pin - Throttle trigger	1
65	50091B	. Trigger - Throttle	1
66	103740	. Screw - Hex hd 8-32 x 5/8 in. lg.	2
67	51480	. Plate - Lock	1
68	57658	. Clamp - Reed	1
69	57654	. Deflector - Fuel	1
70	51809A	. Valve - Reed	1
71	57656B	. Plate - Reed	1
72	57145	. Gasket - Airbox	1
73		. Airbox (Order Airbox Assy #57449D)	1

FIGURE 5. POWERHEAD ASSEMBLY

Index No.	Part Number	Nomenclature	Units Per Assy
1	104138	Screw - Hex hd 10-24 x 7/8 in. lg. (SEMS)	2
2	102189	Washer - Plain	2
3	51253	Retainer - Coil	2
4	51251	Lamination Assy	1
	55949A	Coil and Terminal Assy	1
5	101883	. Wire Assy - Ground	1
6	57225	. Wire Assy - Primary	1
7	52547	. Wire Assy - Spark plug	1
8	55060	. Boot - Spark plug	1
9	55061	. Connector	1
10	55617	. Nipple - Spark plug wire	1
11		. Coil Assy (Order Coil and Terminal Assy #55949A)	1
12		Plug - Spark 14MM	1
	48695	Piston Assy	1
13	48691	. Ring - Piston (set)	1
14	101206	. Bearing	1
15	104378	. Bearing	1
16		. Piston (Order Piston Assy #48695)	1
17	55009	Connecting Rod Assy	1
18	101356	. Screw - Socket hd 10-32 x 5/8 in. lg.	2
19	102742	. Roller - Needle	24
20	51209	Washer - Thrust	2
21	57198	Pin - Piston	1
22	50659	Crankshaft	1
23	53267	Washer - Brass	1
	57409A	Cylinder Assy - Crankcase	1
24	104128	. Seal - Oil	1
25	104129	. Bearing - Needle	1
26	18556A	. Retainer - Nut	6
27	101143	. Nut - Hex 1/4-20	6
28	28053	. Retainer - Nut	2
29	101326	. Nut - Hex 10-24	2
30	55449A	. Washer - Felt	1
31		. Cylinder - Crankcase Assy (Order Assy #57409A)	1

#53632
5-62 ①

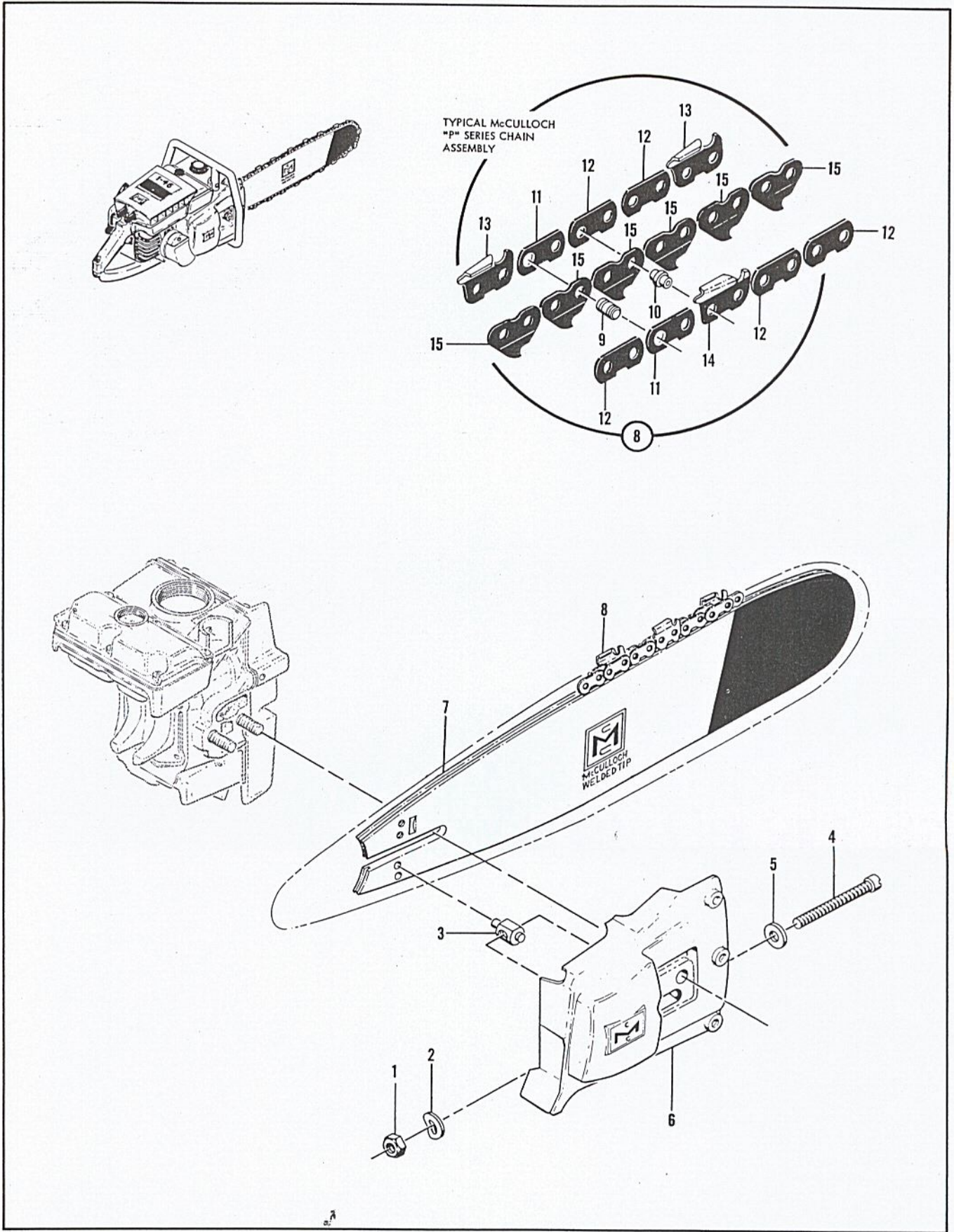


Figure 6. Bar, Chain and Clutch Guard Assembly

FIGURE 6. BAR, CHAIN AND CLUTCH GUARD ASSEMBLY

Index No.	Part Number	Nomenclature	Units Per Assy
	53542	Clutch Guard Assembly.....	1
1	100640	. Nut - 1/4-28 lock	1
2	102813	. Washer - Spring 1/4 in.	1
3	52207C	. Nut - Bar adjust	1
4	53557	. Screw - Fil hd 1/4-28 x 3-15/16 in. lg.	1
5	102843	. Washer - Plain 1/4	1
6	50072D	. Guard - Clutch	1
7	50361	Bar - Flame hardened - .185 in. wide - 12''	1
	51403B	Bar - Hard faced - .185 in. wide - 12''	1
	52551	Bar - Flame hardened - .185 in. wide - 18''	1
	51405A	Bar - Hard faced - .185 in. wide - 18''	1
	51407A	Bar - Hard faced - .185 in. wide - 24''	1
	51409A	Bar - Hard faced - .185 in. wide - 30''	1
	50607	Laminated Bar - Flame hardened - 12''	
	50606	Laminated Bar - Hard faced - 12''	
	50347	Laminated Bar - Flame hardened - 18''	
	50346	Laminated Bar - Hard faced - 18''	
	50348	Laminated Bar - Hard faced - 24''	
8		Typical McCulloch "P" Series Chain Assy	
9		. Master Pin	
10		. Rivet	
11		. Master Side Link	
12		. Side Link	
13		. Cutter - Left side	
14		. Cutter - Right side	
15		. Center Link	

TOOLS AND ACCESSORIES

Part Number	Nomenclature
*51445	Wrench and Screwdriver Combination
*53497	Owner's Manual of Operating Instructions
51443	Spike
36248	Wrench - Spark plug
18413A	Feeler Gauge
102094	Chain Grinding Fixture
102449	McCulloch Yellow Paint (12 oz spray bomb type)
56409	McCulloch Oil (1 quart)
56404	McCulloch Oil (12 oz can)
56224	Chain Breaker - Rivet spinner
56250	Depth Gauge - .025 - .040
56251	Depth Gauge - .045 - .060

*Indicates items furnished with each saw.

OVERSIZE PISTON ASSEMBLY

Part Number	Nomenclature
48684	Piston Assy - .010 oversize
48692	. Ring - Piston .010 oversize (Set of 2 rings)
48685	Piston Assy - .020 oversize
48693	. Ring - Piston .020 oversize (Set of 2 rings)
48686	Piston Assy - .030 oversize
48694	. Ring - Piston .030 oversize (Set of 2 rings)