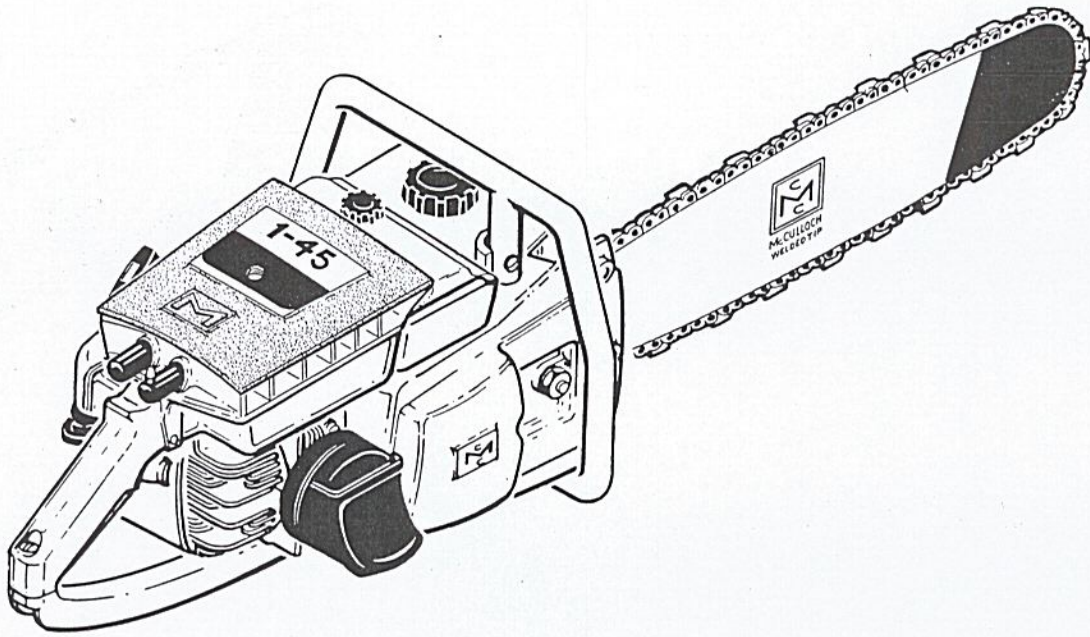


ILLUSTRATED PARTS LIST

SEPTEMBER 1961



The following pages contain an illustrated parts list for the Model 1-45 Chain Saw. Due to small differences between saws, it is important that the Serial Number of your saw be included whenever spare parts are ordered. This will assure receiving the proper parts from your dealers.

Figure 1. Engine Exploded View - General	Page 2
Figure 2. Starter and Crankcase Cover Assemblies	4
Figure 3. Oiler Tank and Fuel Tank Assemblies	6
Figure 4. Air Box and McCulloch Carburetor Assembly ...	8
Figure 5. Powerhead Assembly	10
Figure 6. Bar and Chain Assembly	12



McCULLOCH CORPORATION
6101 West Century Boulevard, Los Angeles 45, California

#53202

MODEL
1-45

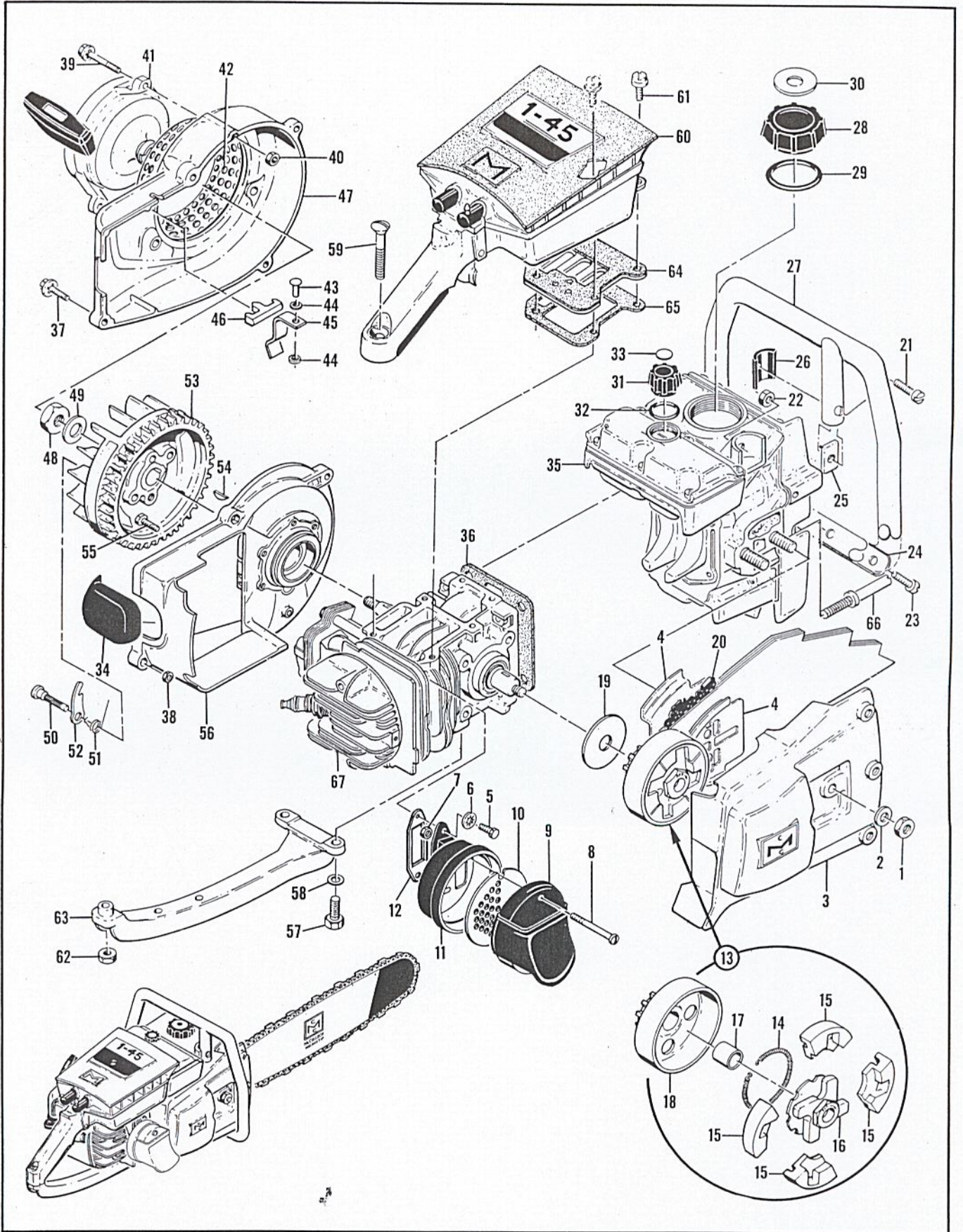


Figure 1. Engine Exploded View - General

FIGURE 1. ENGINE EXPLODED VIEW—GENERAL

Index No.	Part Number	Nomenclature	Units Per Assy
1	103729	Nut - Hex 3/8-24	2
2	100006	Washer - Plain 3/8	2
3	50072B	Guard - Clutch	1
4	51632B	Plate - Protector	2
5	102388	Screw - Hex hd 10-24 x 5/8 in. lg.	2
6	103100	Washer - Lock #10 internal	2
	51966	Muffler Assy	1
7	101191	. Nut - Hex 10-24	2
8	103361	. Screw - Fil hd 10-24 x 1-5/8 in. lg.	2
9	51979	. Top Assy - Muffler	1
10	51968	. Baffle - Muffler	1
11	51975	. Bottom Assy - Muffler	1
12	36093	Gasket - Muffler	1
13		Clutch, Sprocket, Drum and Bearing Assy	1
	50060A	Clutch Assy	1
14	51468	. Spring - Clutch	1
15	51464A	. Shoe - Clutch	4
16	50144A	. Rotor Assy - Clutch	1
	50129A	Sprocket, Drum and Bearing Assy	1
17	50128	. Bushing	1
18	51775B	. Sprocket and Drum Assy	1
19	50132	Washer - Sprocket Assy	1
20		Bar and Chain Assy (See figure 6)	1
21	102356	Screw - Fil hd 1/4-20 x 7/8 in. lg.	1
22	101143	Nut - Hex 1/4-20	3
23	102130	Screw - Hex 1/4-20 x 1-1/2 in. lg.	2
24	50215	Clamp - Frame	1
25	57133	Saddle - Frame	1
26	50062	Insulator - Frame	3
27	50212C	Frame Assy	1
28	57128	Fuel Cap Assy	1
29	101348	"O" Ring	1
30	57233	Plate - Fuel cap	1
31	57129	Cap - Oil filler	1
32	101148	"O" Ring	1
33	57234	Plate - Oil cap	1
34	57565	Cover Assy - Spark plug	1
35		Oiler Tank and Fuel Tank Assy (See figure 3)	1
36	51738B	Gasket - Bottom	1
37	104138	Screw - Hex hd 10-24 x 7/8 in. lg. (SEMS)	4
38	101191	Nut - Hex 10-24	2
39	104138	Screw - Hex hd 10-24 x 7/8 in. lg. (SEMS)	3
40	101191	Nut - Hex 10-24	3
41	57117B	Starter Assy (See figure 2)	1
42	50581A	Guard - Sawdust	1
	57184A	Fan Housing Assy	1
43	103819	. Rivet	1
44	24236	. Washer	2
45	50818	. Spring - Switch	1
46	50817	. Button - Switch	1
47		. Housing - Fan	1
48	101179	Nut - Hex 7/16	1
49	101270	Washer - Special	1
50	36144B	Pin - Starter pawl	2
51	50582	Spring - Pawl	2
52	24093	Pawl - Starter	2
53	48785A	Flywheel Assy	1
54	100199	Key - Woodruff #3	1
55	102289	Screw - Hex hd 10-24 x 3/4 in. lg.	6
56	57126	Crankcase Cover Assy (See figure 2)	1
57	100882	Screw - Hex hd 1/4-20 x 3/4 in. lg.	2
58	100004	Washer - Plain	2
59	104435	Screw - Oval hd 10-24 x 1-3/4 in. lg.	1

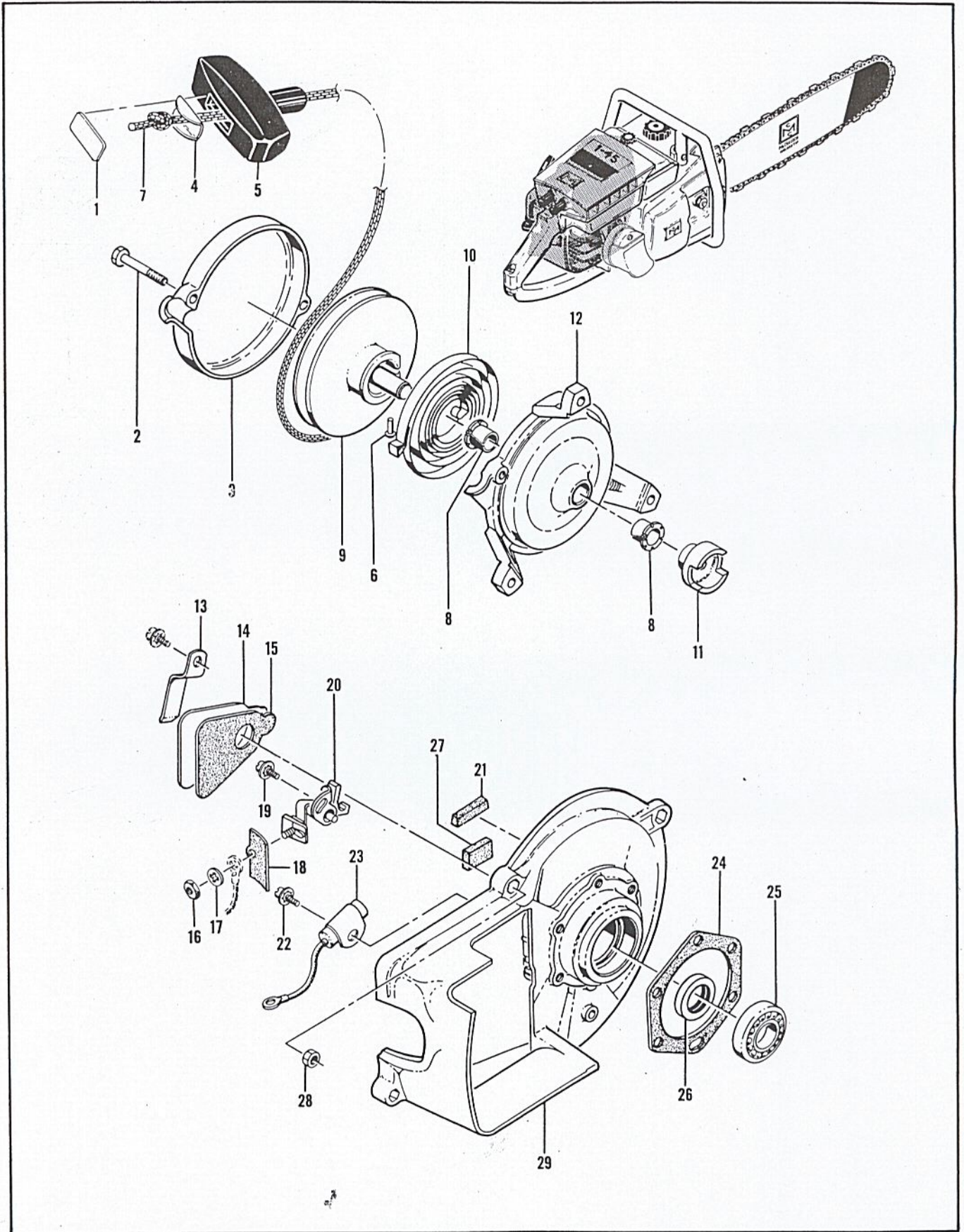


Figure 2. Starter and Crankcase Cover Assemblies

FIGURE 1. ENGINE EXPLODED VIEW—GENERAL (CONT)

Index No.	Part Number	Nomenclature	Units Per Assy
60		Airbox and Carburetor Assy (See figure 4)	1
61	104138	Screw - Hex hd 10-24 x 7/8 in. lg.	4
62	101191	Nut - Hex 10-24	1
63	50041	Brace - Handle	1
64		Reed Plate Assy (See figure 4)	1
65	57657	Insulator - Reed plate	1
66	51441	Screw - Bar adjusting	1
67		Powerhead Assy (See figure 5)	1

FIGURE 2. STARTER AND CRANKCASE COVER ASSEMBLIES

Index No.	Part Number	Nomenclature	Units Per Assy
1	57232	Plate - Starter handle	1
	57117B	Starter Assy	1
2	104396	. Screw - Pan hd 10-24 x 3/4 in. lg.	2
3	57102	. Cover - Starter	1
4	57231	. Cup - Starter handle	1
5	57230	. Handle - Starter	1
6	101136	. Rivet	1
7	28716	. Rope - Starter	1
8	57535	. Bushing - Starter base	2
9	57792	. Drum - Starter	1
10	51665	. Spring - Rewind	1
11	57790	. Ratchet - Starter	1
12	57103	. Base - Starter	1
13	50671	Retainer - Breaker box cover	1
14	50588	Cover - Breaker box	1
15	50589	Gasket - Breaker box	1
16	100251	Nut - Hex 8-32	1
17	100057	Lockwasher - No. 8 internal	1
18	50381	Insulator - Breaker terminal	1
19	103672	Screw - 8-32 x 1/2 in. lg. (SEMS)	1
20	50076A	Breaker Assy	1
21	50664	Felt - Breaker box	1
22	103672	Screw - 8-32 x 1/2 in. lg. (SEMS)	1
23	50074	Condenser	1
24	51240	Gasket - Crankcase	1
25	100824	Bearing - Ball	1
	57126	Crankcase Cover Assy	1
26	50663	. Seal - Oil	1
27	54184	. Wiper - Felt	1
28	101326	. Nut - Hex 10-24	2
29		. Cover - Crankcase (Order Crankcase Cover Assy #57126)	1

FIGURE 3. OILER TANK AND FUEL TANK ASSEMBLIES

Index No.	Part Number	Nomenclature	Units Per Assy
1	104396	Screw - Pan hd 10-24 x 3/4 in. lg.	10
2	50514	Cover - Fuel tank	1
3	50034B	Gasket - Fuel tank	1
4	50124A	Filter - Fuel	1
5	50082	Hose - Flex	1
6	50340	Screw Assy - Sealing	3
7	50569	Screw Assy - Sealing	1
	57326	Fuel Tank Assy	1
8	57217	. Bolt - Bar mounting	2
9	51439	. Lockplate	1
10	28042	. Tube - Fuel hose	1
11	51943	. Seat - Ball valve	1
12	100549	. Ball - 3/16 dia	1
13	51945	. Spring - Outlet	1
14	51941	. Retainer - Ball	1
15	100057	. Lockwasher	1
16	102219	. Screw - Fil hd 8-32 x 1/4 in. lg.	1
17	50501	. Tube - Vent	1
18	50505A	. Orifice Assy - Fuel vent	1
19	104230	. Speednut	1
20		. Tank - Fuel	1
21	104395	Screw - Pan hd 10-24 x 5/8 in. lg.	6
22	57114A	Cover - Oil tank	1
23	100010	Pin - Cotter	1
24	57152	Gasket - Oil tank cover	1
25	101191	Nut - Hex 10-24	3
26	55494	Screw Assy - Sealing	3
27	57112A	Tank - Oiler	1
28	57279	Screen - Oiler	1
29	57147	Gasket - Oiler tank	1
30	18349A	Spring - Oiler	1
31	24104	Cup - Oiler piston	1
32	101056	"O" Ring	1
33	57148	Piston - Oiler	1

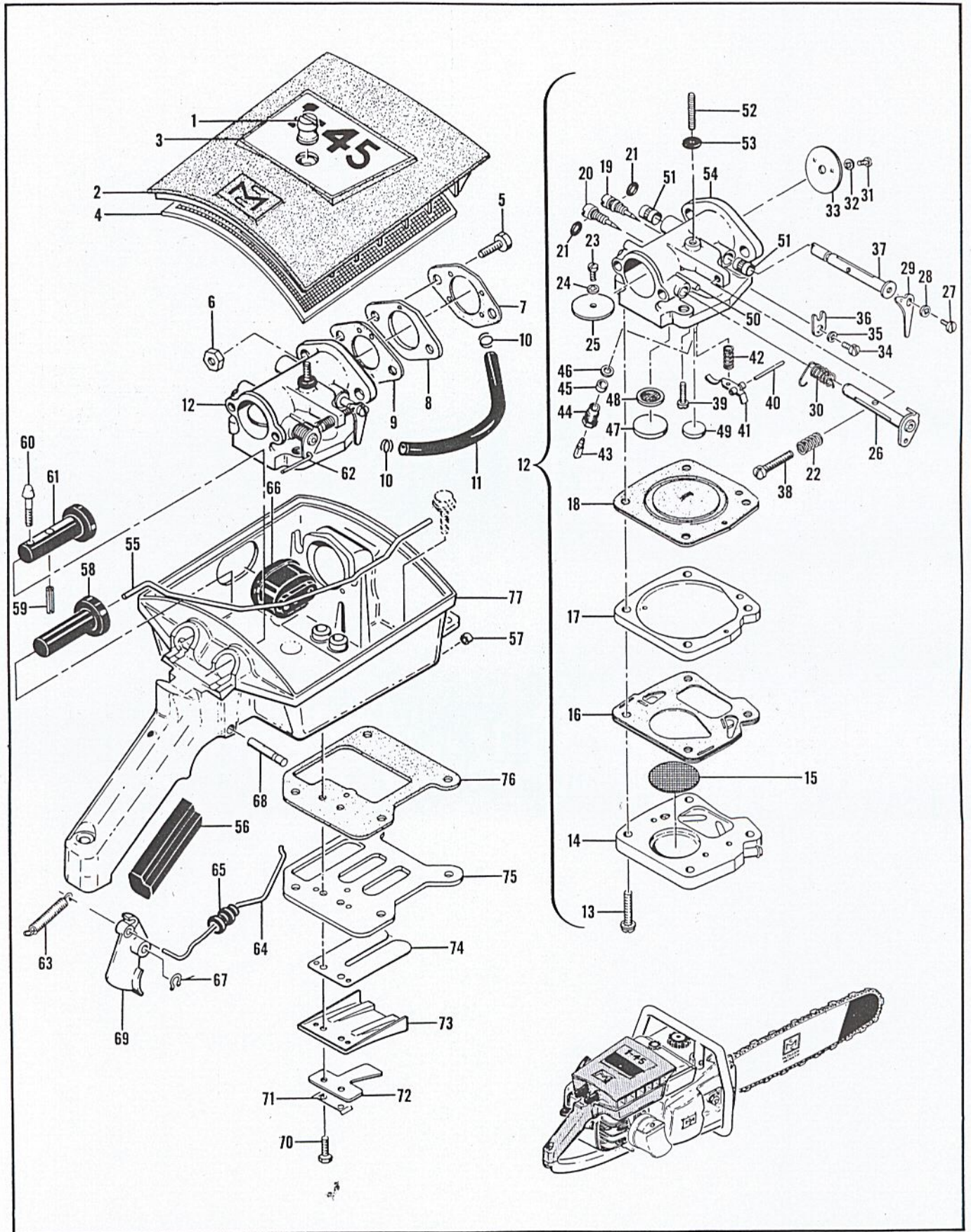


Figure 4. Air Box and McCulloch Carburetor Assembly

FIGURE 4. AIR BOX AND McCULLOCH CARBURETOR ASSEMBLY

Index No.	Part Number	Nomenclature	Units Per Assy
	50822	Cover Assy - Air cleaner	1
1	50674	Nut - Air cleaner attachment	1
2		Cover - Air cleaner (Order Assy #50822)	1
3	53198	Plate - Name	1
4	55497	Screen - Air cleaner	1
5	100882	Screw - Hex hd 1/4-20 x 3/4 in. lg.	2
6	103242	Nut - Hex 1/4-20	2
7	50123A	Gasket - Carburetor	1
8	53189	Adapter - McCulloch carburetor	1
9	50123A	Gasket - Carburetor flange	1
10	50742	Clamp - Fuel hose	2
11	50097	Hose - Fuel	1
12	57066	McCulloch Carburetor and Fuel Pump Assy	1
13	104520	Screw - 10-24 x 7/8 in. lg. (SEMS)	4
14	57667	Body Assy - Fuel pump	1
15	57277	Filter - Fuel pump	1
16	57274A	Diaphragm - Fuel pump	1
17	57272A	Plate - Carburetor diaphragm	1
18	55067B	Diaphragm	1
19	55090	Needle - Metering	1
20	57078	Needle - Metering main	1
21	104001	"O" Ring	2
22	51705	Spring - Idle screw	1
23	104000	Screw - Pan hd 4-40 x 1/4 in. lg.	1
24	103540	Lockwasher - Internal	1
25	55085	Plate - Choke	1
26	55086	Shaft Assy - Choke	1
27	104000	Screw - Pan hd 4-40 x 1/4 in. lg.	1
28	103540	Lockwasher - Internal	1
29	53192	Arm - Throttle shaft	1
30	55089	Spring - Throttle return	1
31	104000	Screw - Pan hd 4-40 x 1/4 in. lg.	1
32	103540	Lockwasher - Internal	1
33	55085	Plate - Throttle	1
34	102219	Screw - Fil hd 8-32 x 1/4 in. lg.	1
35	100252	Lockwasher - No. 8	1
36	55082	Clip - Throttle shaft	1
37	50350	Shaft - Throttle Assy	1
	53215	Body Assy - Carburetor	1
38	55397	Screw - Idle	1
39	104164	Screw - Pan hd 4-40 x 1/4 in. lg.	1
40	104305	Pin - Inlet lever	1
41	55688	Lever - Inlet control	1
42	57172	Spring - Inlet lever	1
43	55476	Valve - Needle	1
44	55475	Body - Needle	1
45	55474	Seat - Needle	1
46	55689	Washer - Valve	1
47	104407	Plug - Expansion	1
48	55690B	Seal - Capillary	1
49	102758	Plug - Expansion	1
50	104210	Pin - Groove	1
51	55062A	Bushing - Carburetor Body	2
52	48611	Stud	1
53	100283	Grommet	1
54		Carburetor Body (Order Assy #53215)	1
55	57062	Pushrod - Oiler	1
56	50218A	Grip - Handle	1
57	55449A	Seal - Chain oiler	1
58	50591B	Button - Oiler	1
59	101556	Pin - Roll	1
60	50776	Screw	1
61	50777B	Button - Choke	1
62	57134	Rod - Choke	1

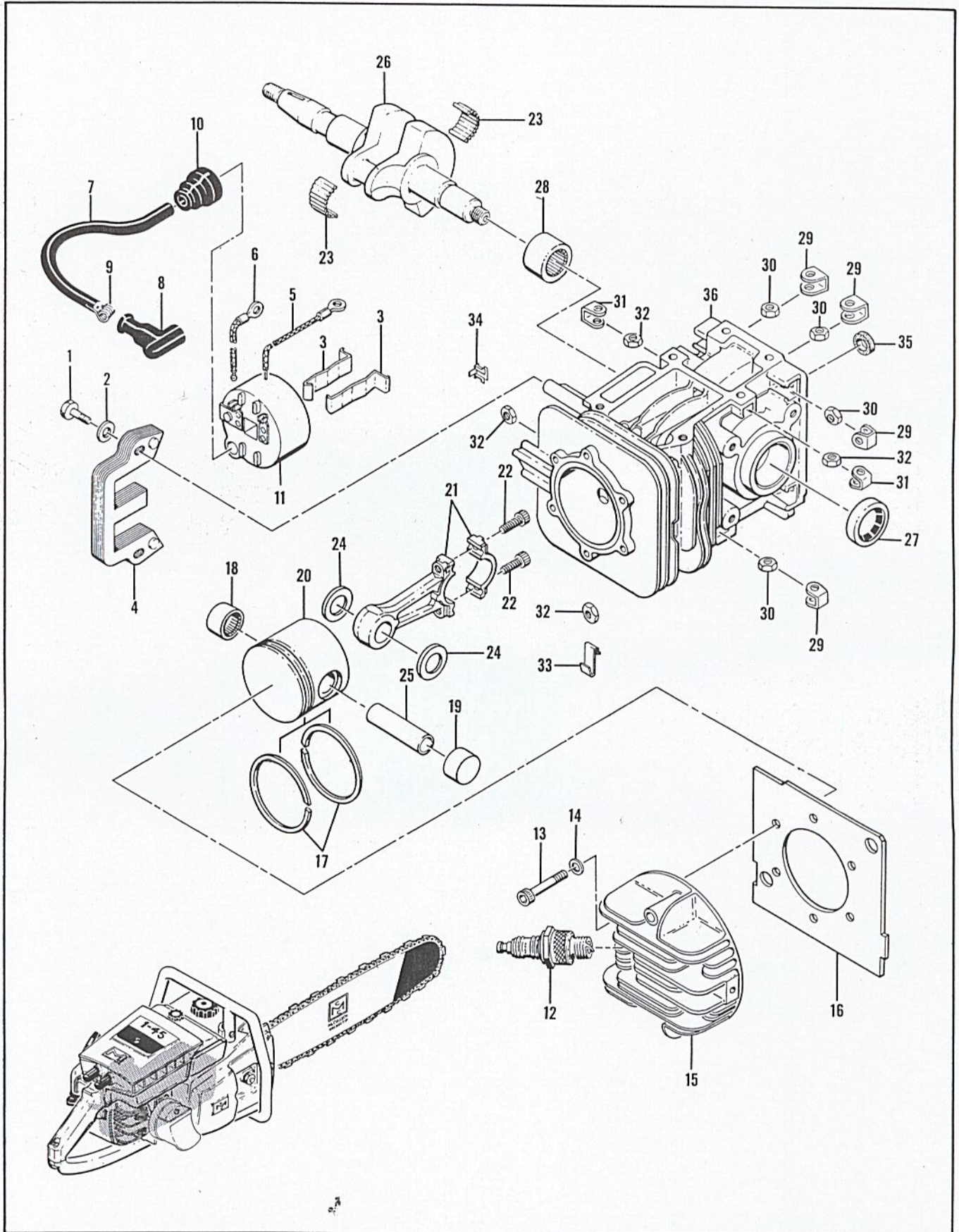


Figure 5. Powerhead Assembly

FIGURE 4. AIR BOX AND McCULLOCH CARBURETOR ASSEMBLY (CONT)

Index No.	Part Number	Nomenclature	Units Per Assy
	57449D	Airbox Assy	1
63	36499	. Spring - Throttle	1
64	50684	. Rod - Throttle	1
65	51561	. Grommet - Throttle	1
66	57105	. Grommet - Carburetor controls	1
67	104501	. Retainer - Pin	1
68	50507	. Pin	1
69	50091B	. Trigger	1
70	103740	. Screw - Hex hd 8-32 x 5/8	2
71	51480	. Plate - Lock	1
72	57658	. Clamp - Reed	1
73	51809A	. Valve - Reed	1
74	57654	. Deflector - Fuel	1
75	57656A	. Plate - Reed	1
76	57145	. Gasket - Airbox	1
77		. Airbox (Order Airbox Assy #57449D)	1

FIGURE 5. POWERHEAD ASSEMBLY

Index No.	Part Number	Nomenclature	Units Per Assy
1	104138	Screw - Hex hd 10-24 x 7/8 in. lg. (SEMS)	2
2	102189	Washer - Plain	2
3	51253	Retainer - Coil	2
4	51251	Lamination Assy	1
	55949A	Coil and Terminal Assy	1
5	101883	. Wire Assy - Ground	1
6	57225	. Wire Assy - Primary	1
7	52547	. Wire Assy - Spark plug	1
8	55060	. . Boot - Spark plug	1
9	55061	. . Connector	1
10	55617	. Nipple - Spark plug	1
11		. Coil Assy (Order Coil and Terminal Assy #55949A)	1
12		Plug - Spark 14MM	1
13	101563	Screw - Socket hd 10-24 x 1-1/4 in. lg.	6
14	24236	Washer - Plain #10	6
15	55355B	Head - Cylinder	1
16	48742	Gasket - Cylinder head	1
	48695	Piston Assy	1
17	48691	. Ring - Piston (Set)	1
18	101206	. Bearing	1
19	104378	. Bearing	1
20		. Piston (Order Piston Assy #48695)	1
21	55009	Connecting Rod Assy	1
22	101356	. Screw - Socket hd 10-32 x 3/4 in. lg.	2
23	102742	. Roller - Needle	24
24	51209	Washer - Spacer	2
25	57198	Pin - Piston	1
26	50659	Crankshaft	1
	57409	Cylinder Assy - Crankcase	1
27	104128	. Seal - Oil	1
28	104129	. Bearing - Needle	1
29	18556A	. Retainer - Nut	6
30	101143	. Nut - Hex 1/4-20	6
31	28053	. Retainer - Nut	2
32	101326	. Nut - Hex 10-24	8
33	57063	. Retainer - Nut	4
34	104255	. Retainer - Nut	2
35	55449A	. Washer - Felt	1
36		. Cylinder - Crankcase Assy (Order Assy #57409)	1

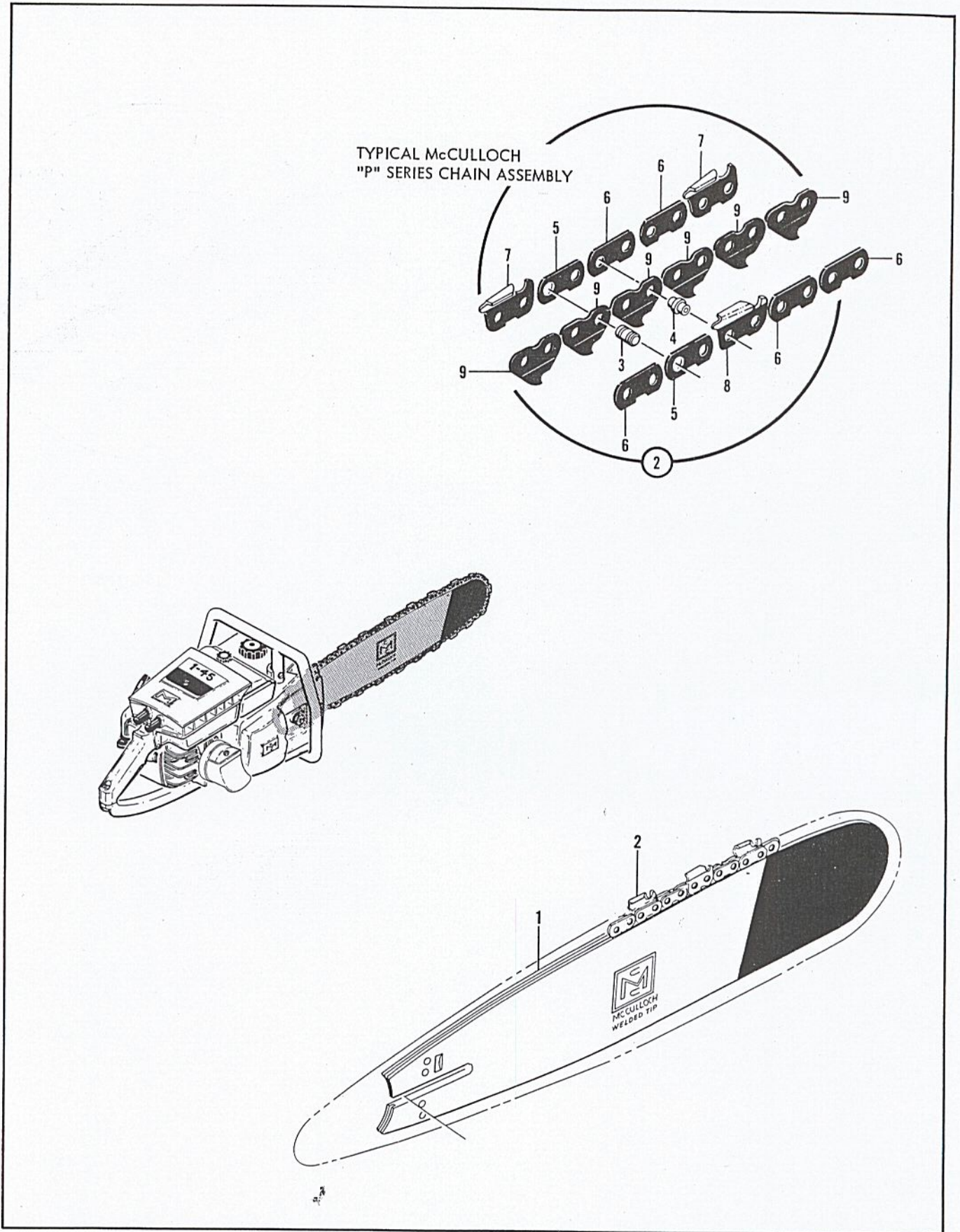


Figure 6. Bar and Chain Assembly

FIGURE 6. BAR AND CHAIN ASSEMBLY

Index No.	Part Number	Nomenclature	Units Per Assy
1	50361	Bar - Flame hardened - .185 in. wide - 12''	1
	51403B	Bar - Hard faced - .185 in. wide - 12''	1
	52551	Bar - Flame hardened - .185 in. wide - 18''	1
	51405A	Bar - Hard faced - .185 in. wide - 18''	1
	51407A	Bar - Hard faced - .185 in. wide - 24''	1
	51409A	Bar - Hard faced - .185 in. wide - 30''	1
	50607	Laminated Bar - Flame hardened - 12''	
	50606	Laminated Bar - Hard faced - 12''	
	50347	Laminated Bar - Flame hardened - 18''	
	50346	Laminated Bar - Hard faced - 18''	
	50348	Laminated Bar - Hard faced - 24''	
2		Typical McCulloch "P" Series Chain Assy	
3		. Master Pin	
4		. Rivet	
5		. Master Side Link	
6		. Side Link	
7		. Cutter - Left side	
8		. Cutter - Right side	
9		. Center Link	

TOOLS AND ACCESSORIES

Part Number	Nomenclature
*51445	Wrench and Screwdriver Combination
*53199	Owners' Manual of Operating Instructions
*53202	Illustrated Parts List
51443	Spike
36248	Wrench - Spark plug
18413A	Feeler Gauge
102094	Chain Grinding Fixture
102449	McCulloch Yellow Paint (12 oz spray bomb type)
56409	McCulloch Oil (1 quart)
56404	McCulloch Oil (12 oz can)
56224	Chain Breaker - Rivet Spinner
56250	Depth Gauge - .025 - .040
56251	Depth Gauge - .045 - .060

*Indicates items furnished with each saw.

OVERSIZE PISTON ASSEMBLY

Part Number	Nomenclature	Units Per Assy
48685	Piston Assembly .020 oversize	1
48693	Ring - Piston .020 oversize (Set of 2 rings)	1