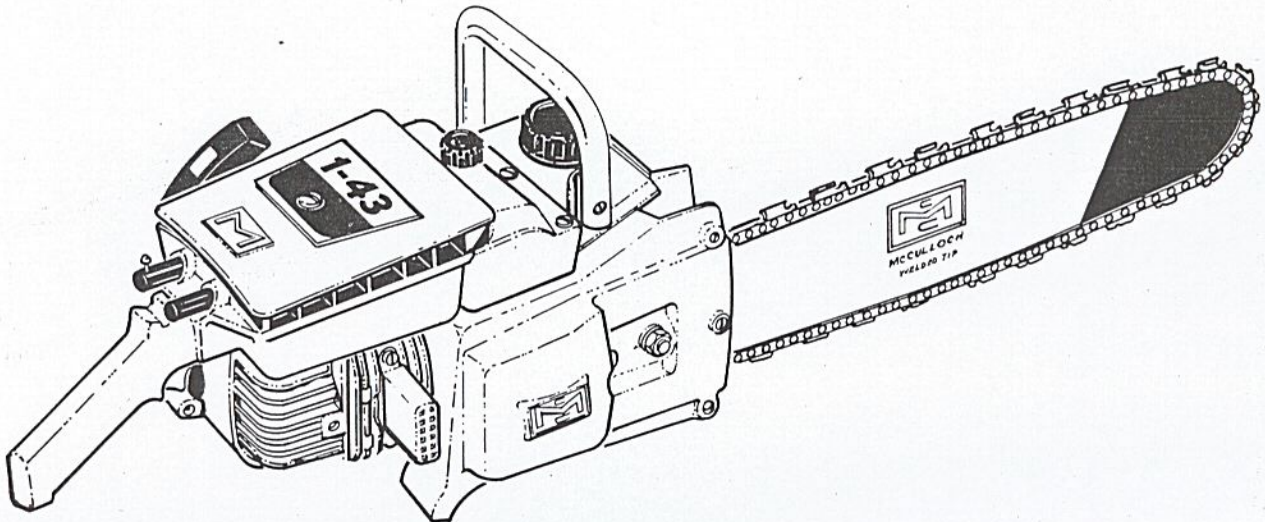


Chain Saw

MODEL 1-43

ILLUSTRATED PARTS LIST

MAY 1962



The following pages contain an illustrated parts list for the Model 1-43 Chain Saw. Due to small differences between saws, it is important that the Serial Number of your saw be included whenever spare parts are ordered. This will assure receiving the proper parts from your dealer.

	Page
Figure 1. Engine Exploded View - General	2
Figure 2. Starter and Crankcase Cover Assemblies	4
Figure 3. Oiler Tank and Fuel Tank Assemblies	6
Figure 4. Air Box and Tillotson Carburetor Assembly ..	8
Figure 5. Powerhead Assembly	10
Figure 6. Bar, Chain and Clutch Guard Assembly	12



MCCULLOCH CORPORATION
6101 West Century Boulevard,
Los Angeles 45, California

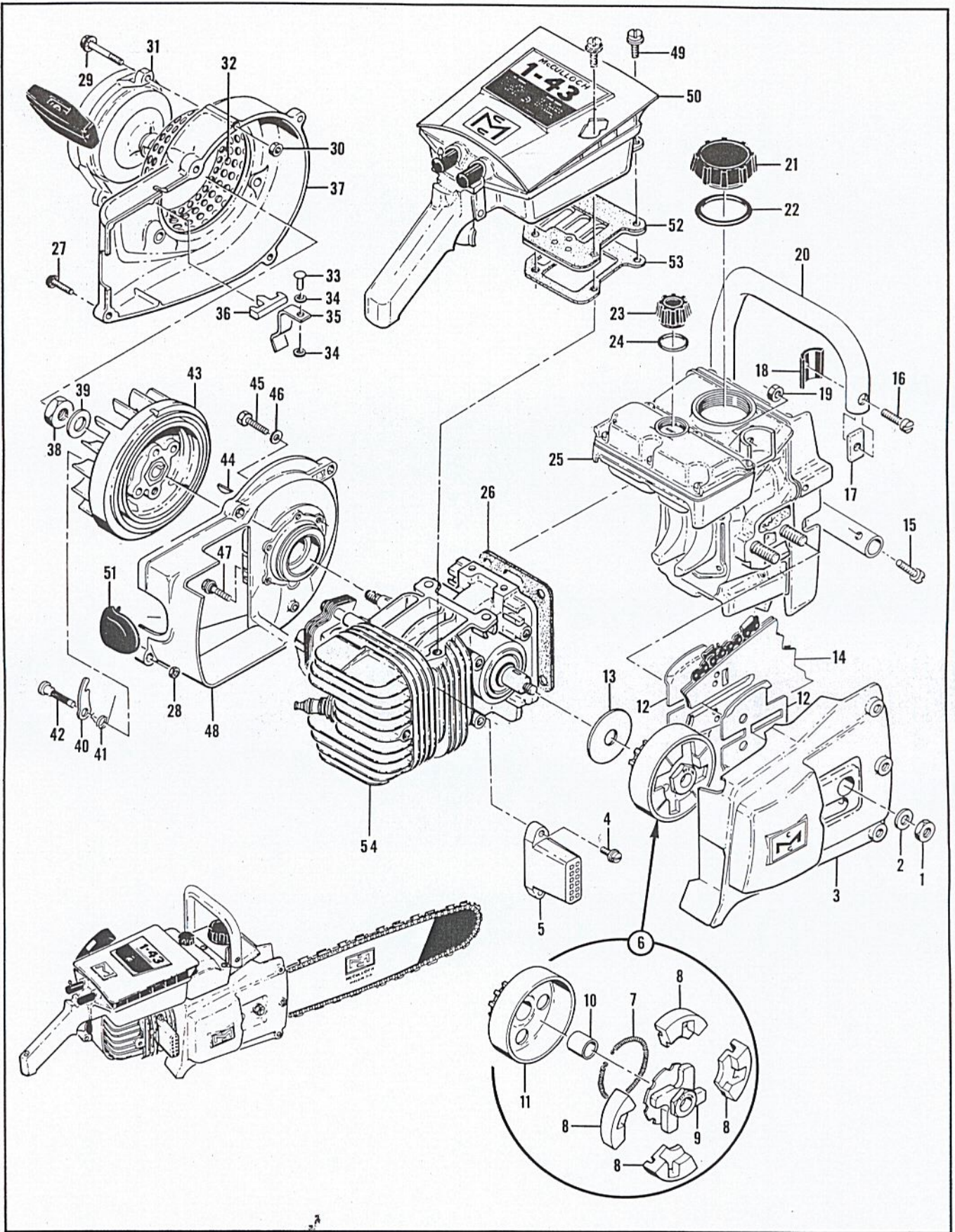


Figure 1. Engine Exploded View - General

FIGURE 1. ENGINE EXPLODED VIEW—GENERAL

Index No.	Part Number	Nomenclature	Units Per Assy
1	103729	Nut - Hex 3/8-24	2
2	100006	Washer - Plain 3/8 inch	2
3		Guard Assembly (See Figure 6)	1
4	102388	Screw - Hex hd 10-24 x 5/8 in. lg	2
5	50115	Pipe - Exhaust	1
6		Clutch Sprocket and Drum and Bearing Assy	1
	50060B	Clutch Assy	1
7	51468A	. Spring - Clutch shoe	1
8	51464A	. Shoe - Clutch	4
9	50144A	. Rotor Assy - Clutch	1
	50129A	Sprocket, Drum and Bearing Assy	1
10	50128	. Bushing	1
11	51775B	. Sprocket and Drum Assy	1
12	51632B	Plate - Protector	2
13	50132	Washer - Sprocket Assy	1
14		Bar and Chain Assy (See Figure 6)	1
15	102356	Screw - Fil hd 1/4-20 x 7/8 in. lg	2
16	100416	Screw - Fil hd 1/4-20 x 1 in. lg	1
17	57133	Saddle - Frame	3
18	50062	Insulator - Frame	3
19	101143	Nut - Hex 1/4-20	3
20	50061B	Frame	1
21	57128	Cap - Fuel	1
22	101348	"O" Ring	1
23	57129	Cap - Oiler	1
24	101148	"O" Ring	1
25		Oiler Tank and Fuel Tank Assemblies (See Figure 3)	1
26	58166A	Gasket - Bottom	1
27	104815	Screw - 10-24 x 7/8 in. lg (SEMS)	4
28	101191	Nut - Hex 10-24	2
29	104815	Screw - 10-24 x 7/8 in. lg (SEMS)	3
30	101191	Nut - Hex 10-24	3
31		Starter Assy (See Figure 2)	1
32	50581A	Guard - Sawdust	1
	57184A	Fan Housing Assy	1
33	103819	. Rivet	1
34	24236	. Washer	2
35	50818	. Spring - Switch	1
36	50817	. Button - Switch	1
37		. Housing - Fan	1
38	101179	Nut - Hex 7/16-inch	1
39	101270	Washer - Special	1
		Flywheel and Pawl Assembly	1
40	24093	Pawl - Starter	2
41	50582	Spring - Pawl	2
42	36144A	Pin - Pawl	2
43	48785A	Flywheel Assy	1
44	100199	Key - Woodruff No. 3	1
45	102289	Screw - Hex hd 10-24 x 3/4 in. lg	4
46	102189	Washer - Plain #10	3
47	55494	Screw - Sealing (See Figure 2)	2
48		Crankcase Cover Assy (See Figure 2)	1
49	104138	Screw - Hex hd 10-24 x 7/8 in. lg	2
50		Air Box and Carburetor Assy (See Figure 4)	1
51	57565	Cover Assembly - Spark plug	1
52		Reed Plate Assy (See Figure 4)	1
53	57657	Insulator - Reed plate	1
54		Powerhead Assy (See Figure 5)	1

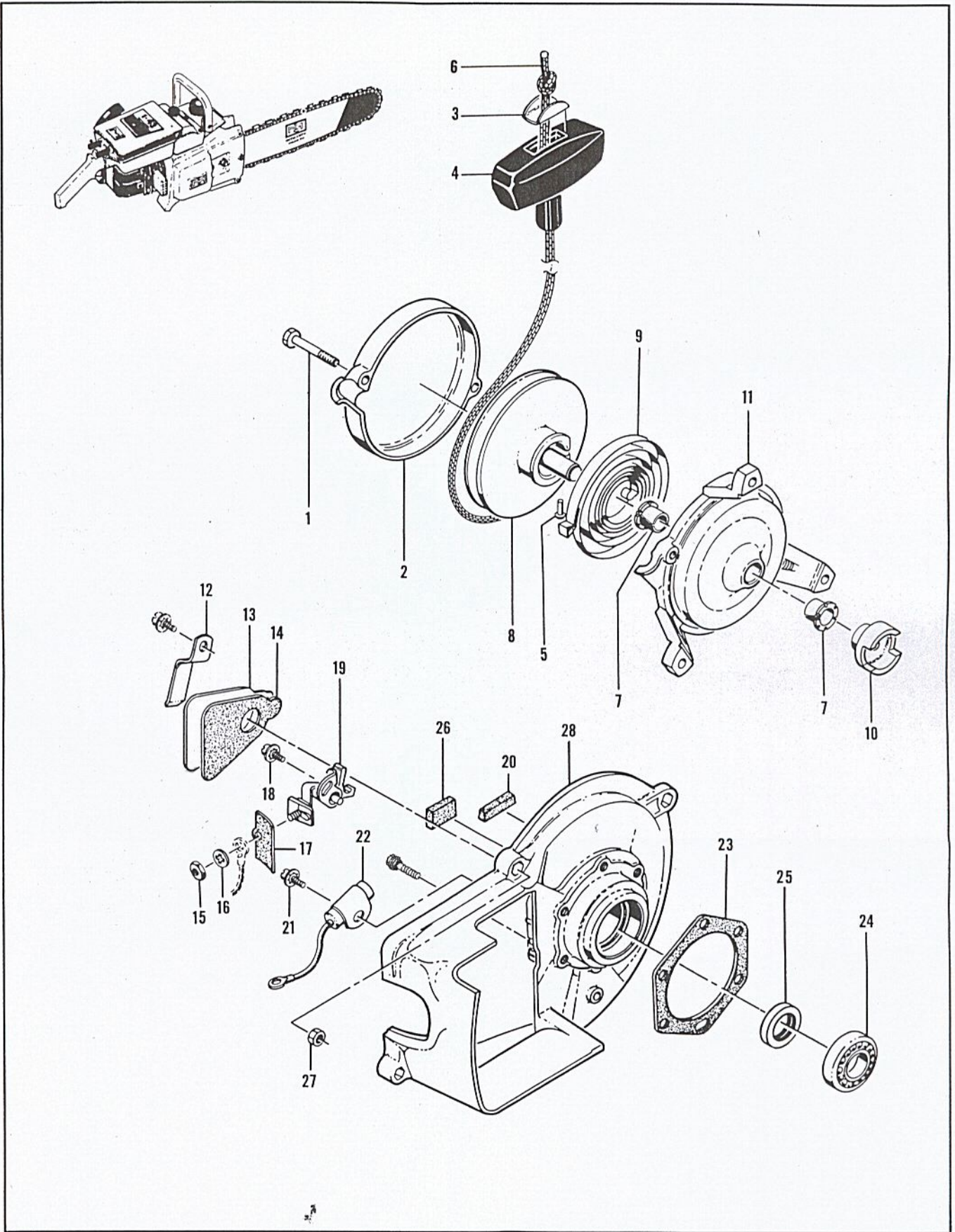


Figure 2. Starter and Crankcase Cover Assemblies

FIGURE 2. STARTER AND CRANKCASE COVER ASSEMBLIES

Index No.	Part Number	Nomenclature	Units Per Assy
	57117B	Starter Assy	1
1	104396	. Screw - 10-24 x 3/4 in. lg	2
2	57102	. Cover - Starter	1
3	57231	. Cup - Starter handle	1
4	57230	. Handle- Starter	1
5	101136	. Rivet	1
6	28716	. Rope - Starter	1
7	57535	. Bushing	2
8	57792	. Drum - Starter	1
9	51665	. Spring - Rewind	1
10	57790	. Ratchet - Starter	1
11	57103	. Base - Starter	1
12	50671	Retainer - Breaker box cover	1
13	50588	Cover - Breaker box	1
14	50589	Gasket - Breaker box	1
15	100251	Nut - 8-32	1
16	100057	Lockwasher - No. 8 internal	1
17	50381A	Insulator - Breaker terminal	1
18	103672	Screw - 8-32 x 1/2 in. lg (SEMS)	1
19	50076A	Breaker Assy	1
20	50664	Felt - Breaker box	1
21	103672	Screw - 8-32 x 1/2 in. lg (SEMS)	1
22	50074	Condenser	1
23	51240	Gasket - Crankcase	1
24	100824	Bearing - Ball	1
	57126A	Crankcase Cover Assy	1
25	50663	. Seal - Oil	1
26	54184	. Wiper - Felt	1
27	101326	. Nut - Hex 10-24	2
28		. Cover - Crankcase (Order Crankcase Cover Assy #57126A)	1

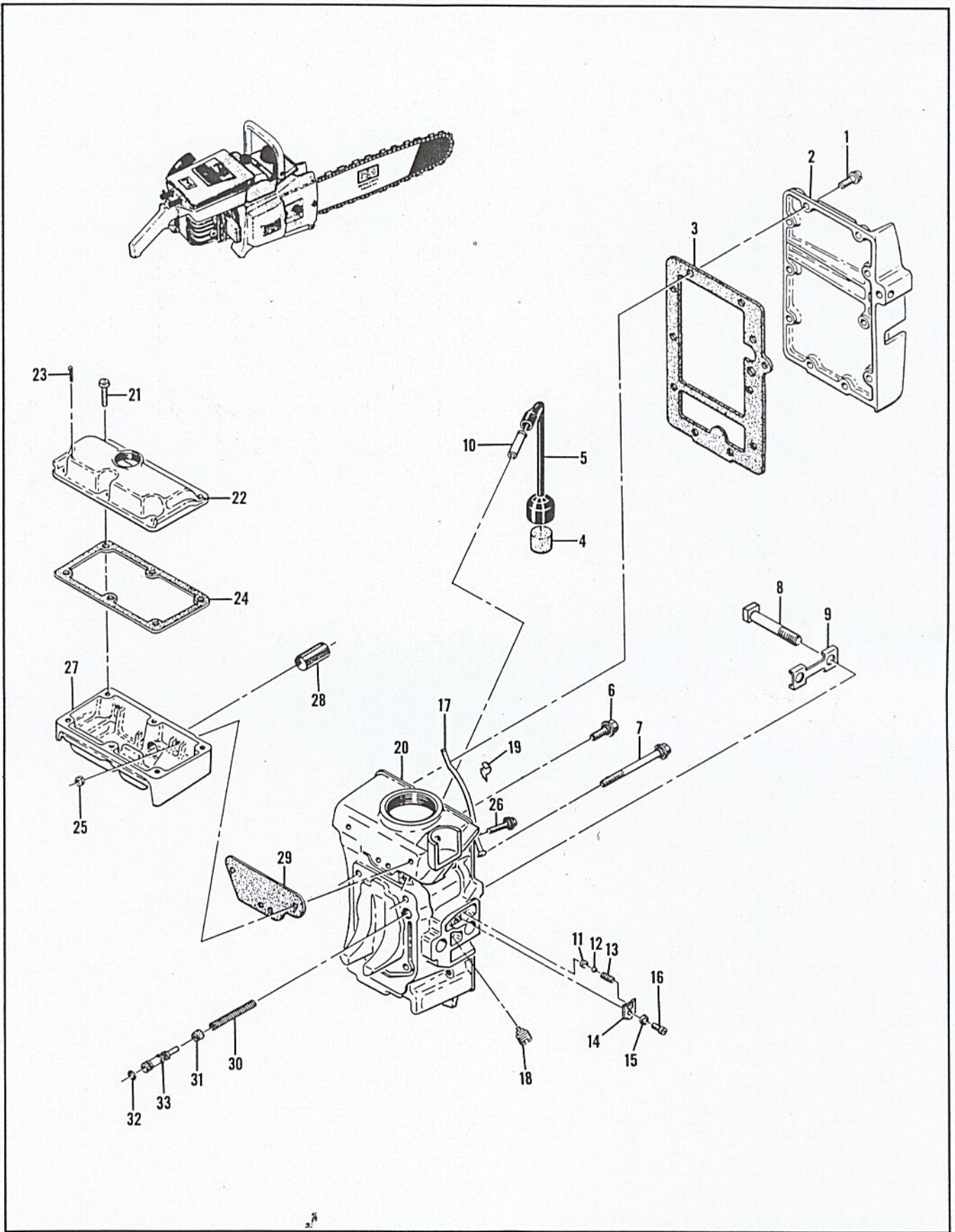


Figure 3. Oiler Tank and Fuel Tank Assemblies

FIGURE 3. OILER TANK AND FUEL TANK ASSEMBLIES

Index No.	Part Number	Nomenclature	Units Per Assy
1	104396	Screw - Pan hd 10-24 x 3/4 in. lg	10
2	50514	Cover - Fuel tank	1
3	50034B	Gasket - Fuel tank	1
4	50124A	Filter - Fuel tank	1
5	50082	Hose - Flex	1
6	50340	Screw Assy - Sealing	3
7	50569	Screw Assy - Sealing	1
	53553	Fuel Tank Assy	1
8	57217	. Bolt - Bar mounting	2
9	51439	. Lockplate	1
10	28042	. Tube - Fuel hose	1
11	51943	. Seat - Ball valve	1
12	100549	. Ball - 3/16 dia	1
13	51945	. Spring - Outlet	1
14	51941	. Retainer - Ball	1
15	100057	. Lockwasher	1
16	102219	. Screw - Fil hd 8-32 x 1/4 in. lg	1
17	50501	. Tube - Vent	1
18	50505A	. Orifice Assy - Fuel vent	1
19	104230	. Speednut	1
20		. Tank - Fuel (Order Fuel Tank Assy #53553)	1
21	104395	Screw - Pan hd 10-24 x 5/8 in. lg	6
22	57114A	Cover - Oil tank	1
23	100010	Pin - Cotter	1
24	57152	Gasket - Oil tank cover	1
25	101191	Nut - Hex 10-24	3
26	55494	Screw Assy - Sealing	3
27	57112A	Tank - Oiler	1
28	57279	Screen - Oiler tank	1
29	57147	Gasket - Oiler tank	1
30	18349A	Spring - Oiler	1
31	24104	Cup - Oiler piston	1
32	101056	"O" Ring	1
33	57148	Piston - Oiler	1

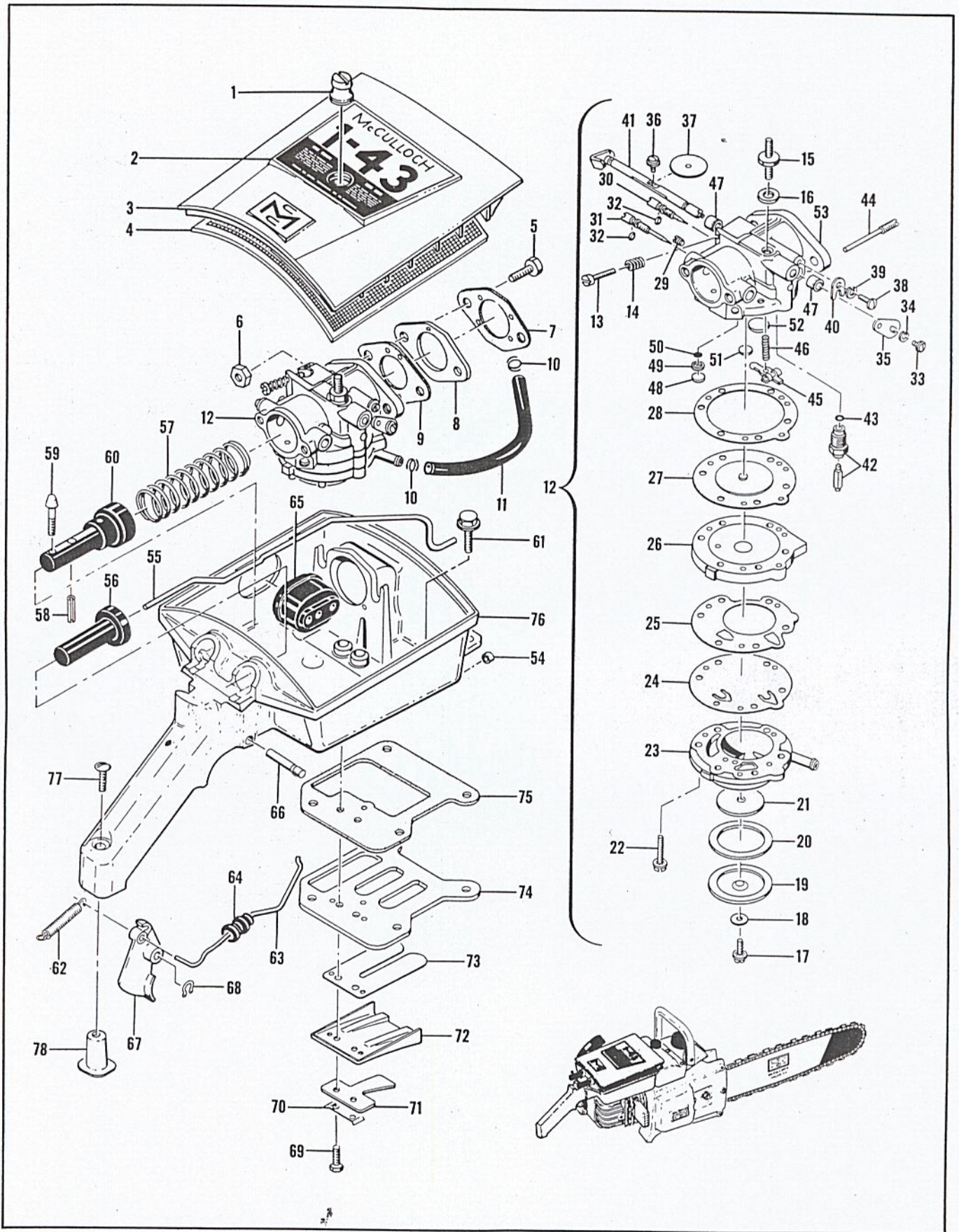


Figure 4. Air Box and Tillotson Carburetor Assembly

FIGURE 4. AIR BOX AND TILLOTSON CARBURETOR ASSEMBLY

Index No.	Part Number	Nomenclature	Units Per Assy
	50822	Cover Assy - Air cleaner	1
1	50674	. Nut - Air cleaner attachment	1
2	53496	. Nameplate - Fuel and Starting instructions	1
3		. Cover - Air cleaner	1
4	55497	Screen - Air cleaner	1
5	53539	Screw - Hex hd 1/4-20 x 15/16 in. lg	2
6	103242	Nut - Hex 1/4-20	2
7	50123B	Gasket - Adapter-to-airbox	1
8	50686A	Adapter - Tillotson carburetor	1
9	55519A	Gasket - Carburetor	1
10	50742	Clamp - Fuel hose	2
11	50097	Hose - Fuel	1
12	57182B	Tillotson Carburetor Assy	1
13	*50799	. Screw - Idle speed regulating	1
14	*51705	. Spring - Idle speed regulating screw	1
15	50785	. Stud - Air cleaner attachment	1
16	50786A	. Gasket - Air cleaner attachment stud	1
17	*50797	. Screw - Fuel strainer cover retaining	1
18	50798	. Gasket - Fuel strainer cover	1
19	50796	. Cover - Fuel strainer cover	1
20	51704	. Gasket - Fuel strainer cover	1
21	*50795	. Element - Fuel strainer	1
22	51597	. Screw and Lockwasher - Fuel pump body	1
23	50670	. Body - Fuel pump	1
24	*57574	. Diaphragm - Fuel pump	1
25	51594	. Gasket - Fuel pump	1
26	51592	. Cover - Diaphragm	1
27	*51590	. Diaphragm Assy	1
28	51591	. Gasket - Diaphragm	1
29	51589	. Drain Screw - Diaphragm chamber	1
30	*51702	. Screw - Idle adjustment	1
31	*51712	. Screw - Main adjustment	1
32	51703	. "O" Ring	2
33	51717	. Screw - Throttle shaft clip	1
34	100252	. Lockwasher - Throttle shaft clip	1
35	50804	. Lever - Throttle governor	1
36	*51721	. Screw and Lockwasher - Throttle shutter	1
37	51720	. Shutter - Throttle	1
38	*51719	. Screw - Throttle governor lever	1
39	*100261	. Lockwasher - Throttle governor lever	1
40	51716	. Clip - Throttle shaft	1
41	50803	. Throttle Shaft and Lever	1
42	*51707A	. Seat and Needle Assy	1
43	51708	. Gasket - Inlet seat	1
44	*51710	. Screw - Inlet control lever pinion	1
45	*51709	. Lever - Inlet control	1
46	*51711	. Spring - Inlet tension	1
	57282A	. Carburetor Body Assy (For Service)	1
47	51715	. Bushing - Throttle shaft	2
48	*57653	. Plug - Body channel cup	1
49	*57652	. Ring - Screen retainer	1
50	*57651	. Screen - Carburetor body	1
51	*51583	. Plug - Body channel (Welch)	1
52	*51584	. Plug - Body channel (Welch)	1
53		. Carburetor Body	1
	*50806	Gasket and Packing Set	1
	50807	Repair Parts Kit	1
54	55449A	Washer - Felt	1
55	50568	Pushrod - Oiler	1
56	50591B	Button - Oiler	1

*Indicates contents of Repair Parts Kit.

This list is continued on page 11

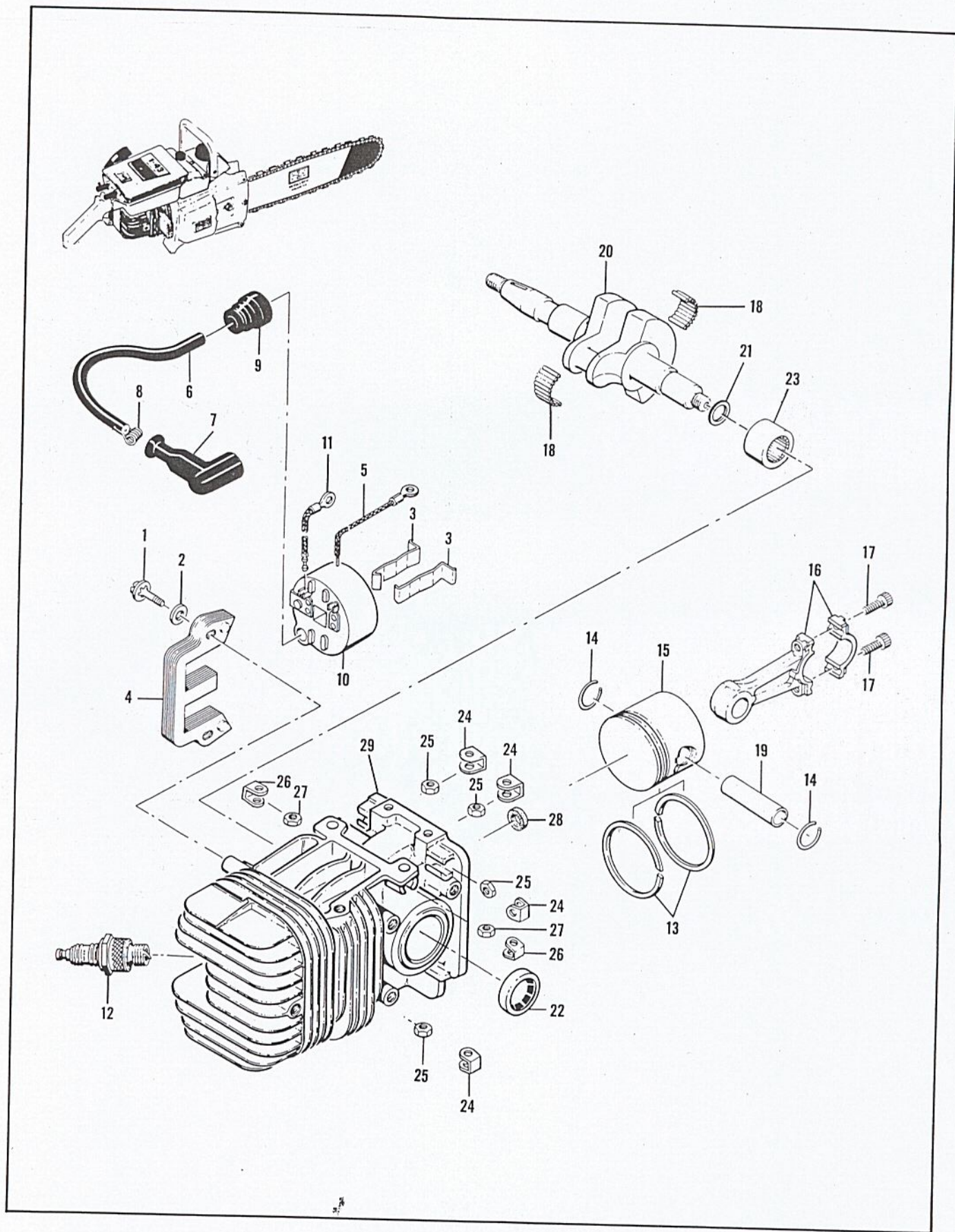


Figure 5. Powerhead Assembly

FIGURE 4. AIR BOX AND TILLOTSON CARBURETOR ASSEMBLY— CONT.

Index No.	Part Number	Nomenclature	Units Per Assy
57	50147B	Spring - Choke	1
58	101556	Pin - Roll	1
59	50776	Screw	1
60	57124	Button - Choke	1
61	104138	Screw - Hex hd 10-24 x 7/8 in. lg (SEMS)	2
	57449D	Airbox Assy	1
62	36499	. Spring - Throttle	1
63	50684	. Rod - Throttle	1
64	51561A	. Grommet - Throttle	1
65	57105	. Grommet - Carburetor controls	1
66	50507	. Pin	1
67	50091B	. Trigger	1
68	104501	. Retainer - Trigger pin	1
69	103740	. Screw - Hex hd 8-32 x 5/8 in. lg	2
70	51480	. Lockplate	1
71	57658	. Clamp - Reed	1
72	57654	. Deflector - Fuel	1
73	51809A	. Reed	1
74	57656B	. Plate - Reed	1
75	57145	. Gasket - Air box	1
76		. Airbox	1
77	104736	. Screw - PK #12 x 1 in. lg	1
78	57873	. Plug - Airbox handle	1

FIGURE 5. POWERHEAD ASSEMBLY

Index No.	Part Number	Nomenclature	Units Per Assy
1	101965	Screw - 10-24 x 7/8 in. lg	2
2	100003	Washer - Plain #10	2
3	51253	Retainer - Coil	2
4	51251	Lamination Assy	1
	55949A	Coil and Terminal Assy	1
5	101883	. Wire Assy - Ground	1
6	52547	. Wire Assy - Spark plug	1
7	55060	. Boot - Spark plug	1
8	55061	. Connector	1
9	55617	. Nipple - Spark plug wire	1
10		. Coil Assy	1
11	57225	Wire Assembly - Primary	1
12		Plug - Spark 14mm	1
	50206	Piston Assy	1
13	55123	. Ring - Piston (Set of 2 rings - chrome rings)	1
14	50133	. Ring - Retaining (piston pin)	2
15		. Piston	1
16	55009	Connecting Rod Assy	1
17	101356	. Screw - Socket hd 10-32 x 3/4 in. lg	2
18	102742	. Roller - Needle	24
19	50207A	Pin - Piston	1
20	50659	Crankshaft	1
21	53267	Washer - Brass	1
	57409A	Cylinder Assy - Crankcase	1
22	104128	. Seal - Oil	1
23	104129	. Bearing - Needle	1
24	18556A	. Retainer - Nut	6
25	101143	. Nut - Hex 1/4-20	6
26	28053	. Retainer - Nut	2
27	101326	. Nut - Hex 10-24	2
28	55449A	. Washer - Felt	1
29		. Cylinder - Crankcase Assy	1

#53498
5-62 ①

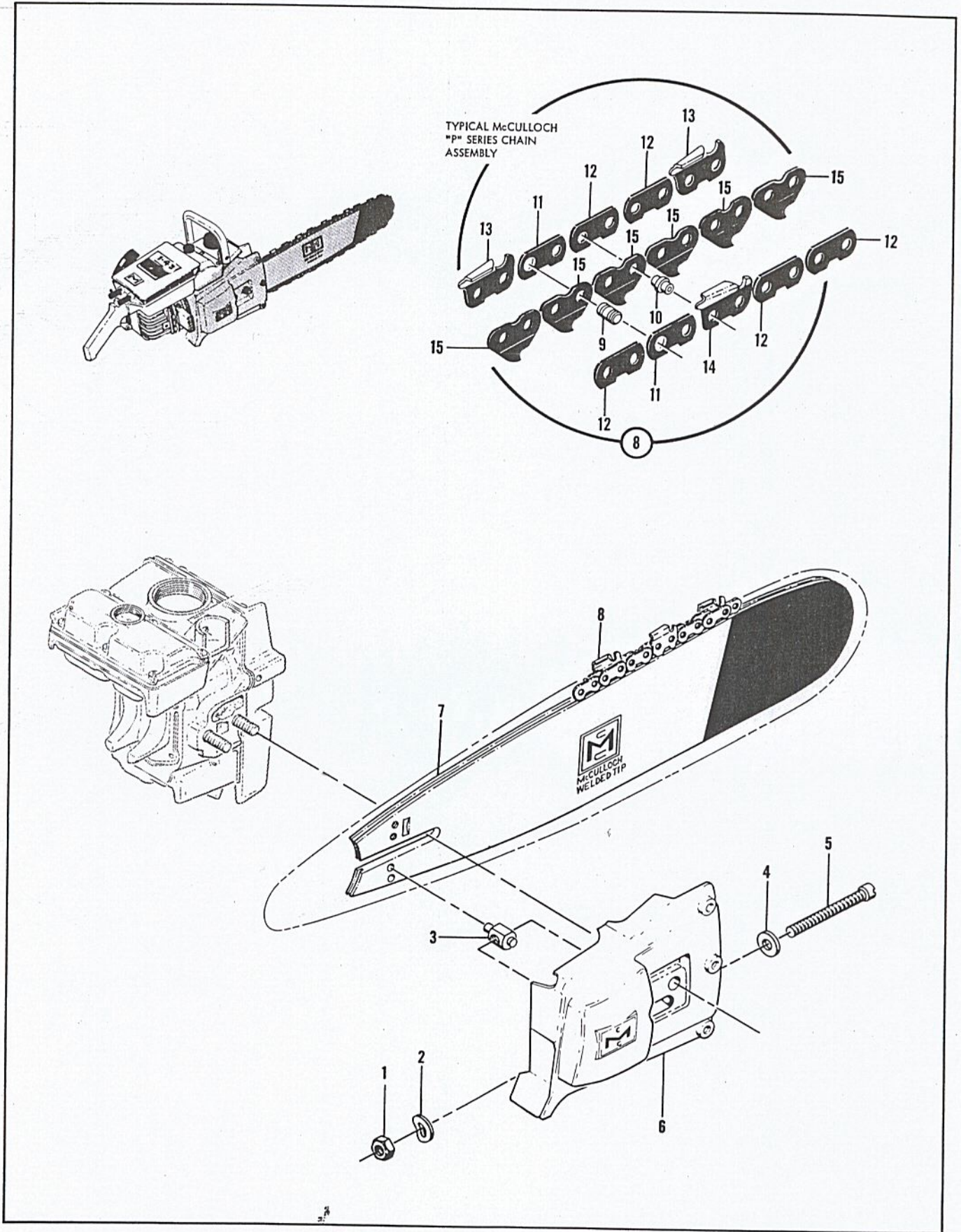


Figure 6. Bar, Chain and Clutch Guard Assembly

FIGURE 6. BAR, CHAIN AND CLUTCH GUARD ASSEMBLY

Index No.	Part Number	Nomenclature	Units Per Assy
	53542	Guard Assembly - Clutch	1
1	100640	. Nut - Hex 1/4-28 Lock	1
2	102813	. Washer - Spring 1/4 inch.....	1
3	52207C	. Nut - Bar adjust	1
4	102843	. Washer - Plain 1/4	1
5	53557	. Screw - Fil hd 1/4-28 x 3 15/16-in. lg	1
6	50072D	. Guard - Clutch	1
7	50361	Bar-Flame Hardened - .185 inch wide -12''	1
	51403B	Bar-Hard Faced - .185 inch wide - 12''	1
	52551	Bar-Flame Hardened - .185 inch wide -18''	1
	51405A	Bar-Hard Faced - .185 inch wide - 18''	1
	51407A	Bar-Hard Faced - .185 inch wide - 24''	1
	50607	Laminated Bar - Flame Hardened - 12''	
	50606	Laminated Bar - Hard Faced - 18''	
	50347	Laminated Bar - Flame Hardened - 18''	
	50346	Laminated Bar - Hard Faced - 18''	
	50348	Laminated Bar - Hard Faced - 24''	
8		Typical McCulloch "P" Series Chain Assy	
9		. Master Pin	
10		. Rivet	
11		. Master Side Link	
12		. Side Link	
13		. Cutter - Left side	
14		. Cutter - Right side	
15		. Center Link	

TOOLS AND ACCESSORIES

Part Number	Nomenclature
*51445	Wrench and Screwdriver Combination
*53497	Owner's Manual of Operating Instructions
51443	Spike
36248	Wrench - Spark plug
18413A	Feeler Gauge
102094	Chain Grinding Fixture
56224	Chain Breaker - Rivet Spinner
56250	Depth Gauge - .025 - .040
56251	Depth Gauge - .045 - .060

*Indicates items furnished with each saw.

OVERSIZE PISTON ASSEMBLY

Part Number	Nomenclature	Units Per Assy
50134	Piston Assembly .020 oversize	1
55125	. Ring - Piston .020 oversize (Set of two rings).....	1
50133	. Ring - Retaining	2