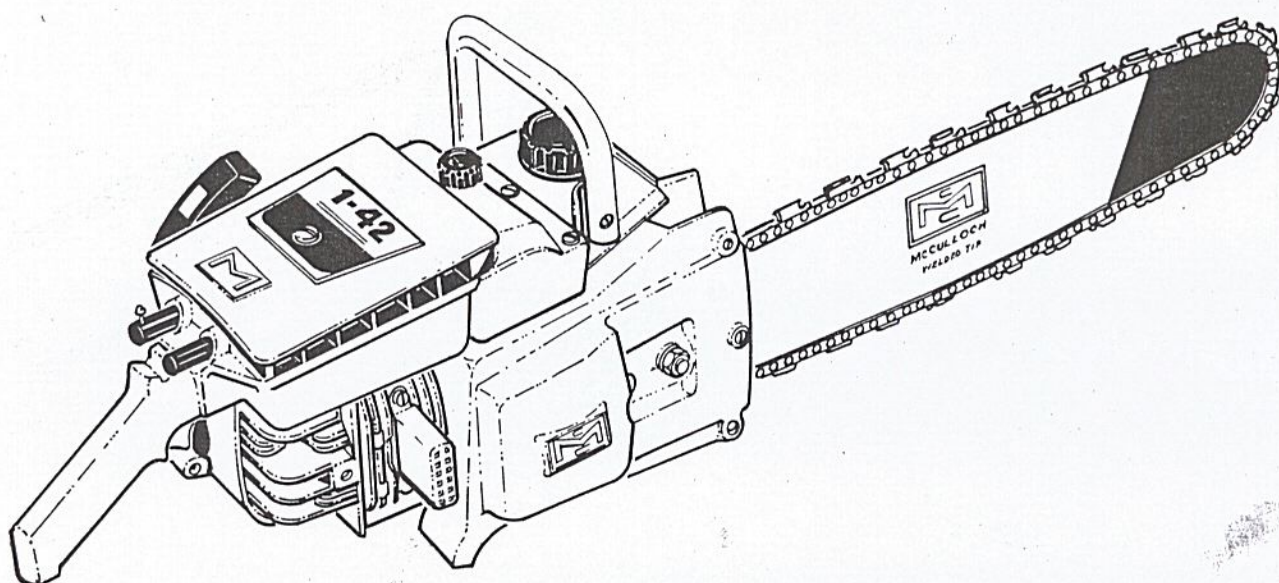


# ILLUSTRATED PARTS LIST

MARCH 1961



The following pages contain an illustrated parts list for the Model 1-42 Chain Saw. Due to small differences between saws, it is important that the Serial Number of your saw be included whenever spare parts are ordered. This will assure receiving the proper parts from your dealer.

	Page
Figure 1. Engine Exploded View - General .....	2
Figure 2. Starter and Crankcase Cover Assemblies ....	4
Figure 3. Oiler Tank and Fuel Tank Assemblies .....	6
Figure 4. Air Box and Tillotson Carburetor Assembly ..	8
Figure 5. Powerhead Assembly .....	10
Figure 6. Bar and Chain Assembly .....	12



**McCULLOCH CORPORATION**  
6101 West Century Boulevard, Los Angeles 45, California

#57749

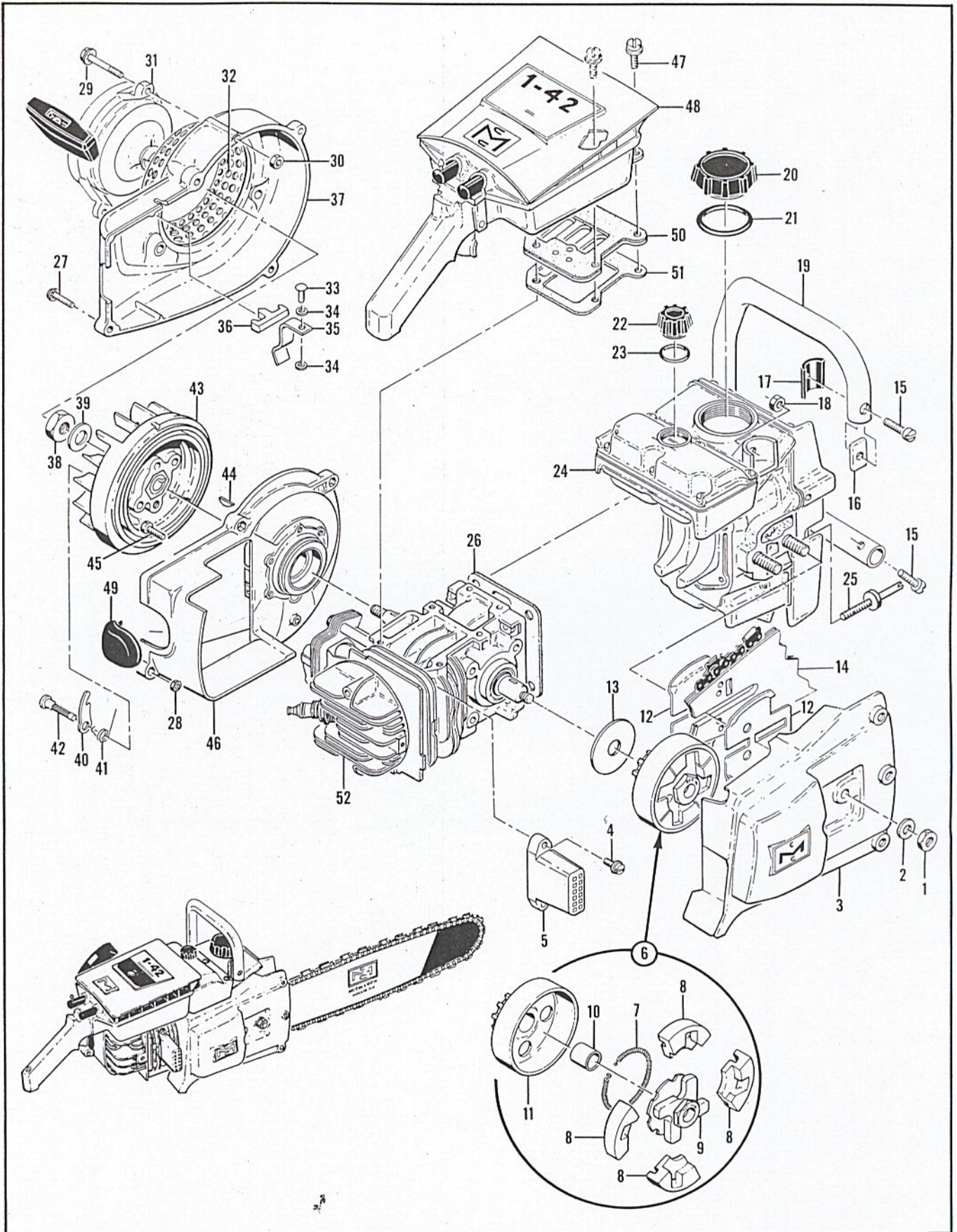


Figure 1. Engine Exploded View - General

FIGURE 1 ENGINE EXPLODED VIEW—GENERAL

Index No.	Part Number	Nomenclature	Units Per Assy
1	103729	Nut - Hex 3/8-24 .....	2
2	100006	Washer - Plain 3/8 .....	2
3	50072B	Guard - Clutch .....	1
4	102388	Screw - 10-24 x 5/8 in. lg .....	2
5	50115	Pipe - Exhaust .....	1
6	No Number	Clutch Sprocket and Drum and Bearing Assy .....	1
	50060A	Clutch Assy .....	1
7	51468	. Spring - Shoe .....	1
8	51464A	. Shoe - Clutch .....	4
9	50144A	. Rotor Assy - Clutch .....	1
	50129A	Sprocket, Drum and Bearing Assy .....	1
10	50128	. Bushing .....	1
11	51775B	. Sprocket and Drum Assy .....	1
12	51632B	Plate - Protector .....	2
13	50132	Washer - Sprocket assy .....	1
14	No Number	Bar and Chain Assy (See Figure 6) .....	1
15	102356	Screw - Fil hd 1/4-20 x 1 in. lg .....	3
16	57133	Saddle .....	3
17	50062A	Insulator .....	3
18	101143	Nut - Hex 1/4-20 .....	3
19	50061B	Frame .....	1
20	57128	Cap - Fuel .....	1
21	101348	"O" Ring .....	1
22	57129	Cap - Oiler .....	1
23	101148	"O" Ring .....	1
24	No Number	Oiler Tank and Fuel Tank Assemblies (See Figure 3) .....	1
25	51441	Screw - Blade adjusting .....	1
26	51738B	Gasket - Bottom .....	1
27	104138	Screw - Hex hd 10-24 x 7/8 in. lg (SEMS) .....	4
28	101191	Nut - Hex 10-24 .....	2
29	104138	Screw - Hex hd 10-24 x 7/8 in. lg (SEMS) .....	3
30	101191	Nut - Hex 10-24 .....	3
31	No Number	Starter Assy (See Figure 2) .....	1
32	50581A	Guard - Sawdust .....	1
	57184A	Fan Housing Assy .....	1
33	103819	. Rivet .....	1
34	24236	. Washer .....	2
35	50818	. Spring - Switch .....	1
36	50817	. Button - Switch .....	1
37		. Housing - Fan .....	1
		(Order Fan Housing Assy #57184A)	
38	101179	Nut - Hex 7/16 .....	1
39	101270	Washer - Special .....	1
	No Number	Flywheel and Pawl Assembly .....	1
40	24093	Pawl - Starter .....	2
41	50582	Spring - Pawl .....	2
42	36144A	Pin - Pawl .....	2
43	48785A	Flywheel Assy .....	1
44	100199	Key - Woodruff No. 3 .....	1
45	102289	Screw - Hex hd 10-24 x 3/4 in. lg .....	6
46	No Number	Crankcase Cover Assy (See Figure 2) .....	1
47	104138	Screw - Hex hd 10-24 x 7/8 in. lg (SEMS) .....	2
48	No Number	Air Box and Carburetor Assy (See Figure 4) .....	1
49	57565	Cover Assembly - Spark plug .....	1
50		Reed Plate Assy (See Figure 4) .....	1
51	57657	Insulator - Reed plate .....	1
52	No Number	Powerhead Assy (See Figure 5) .....	1

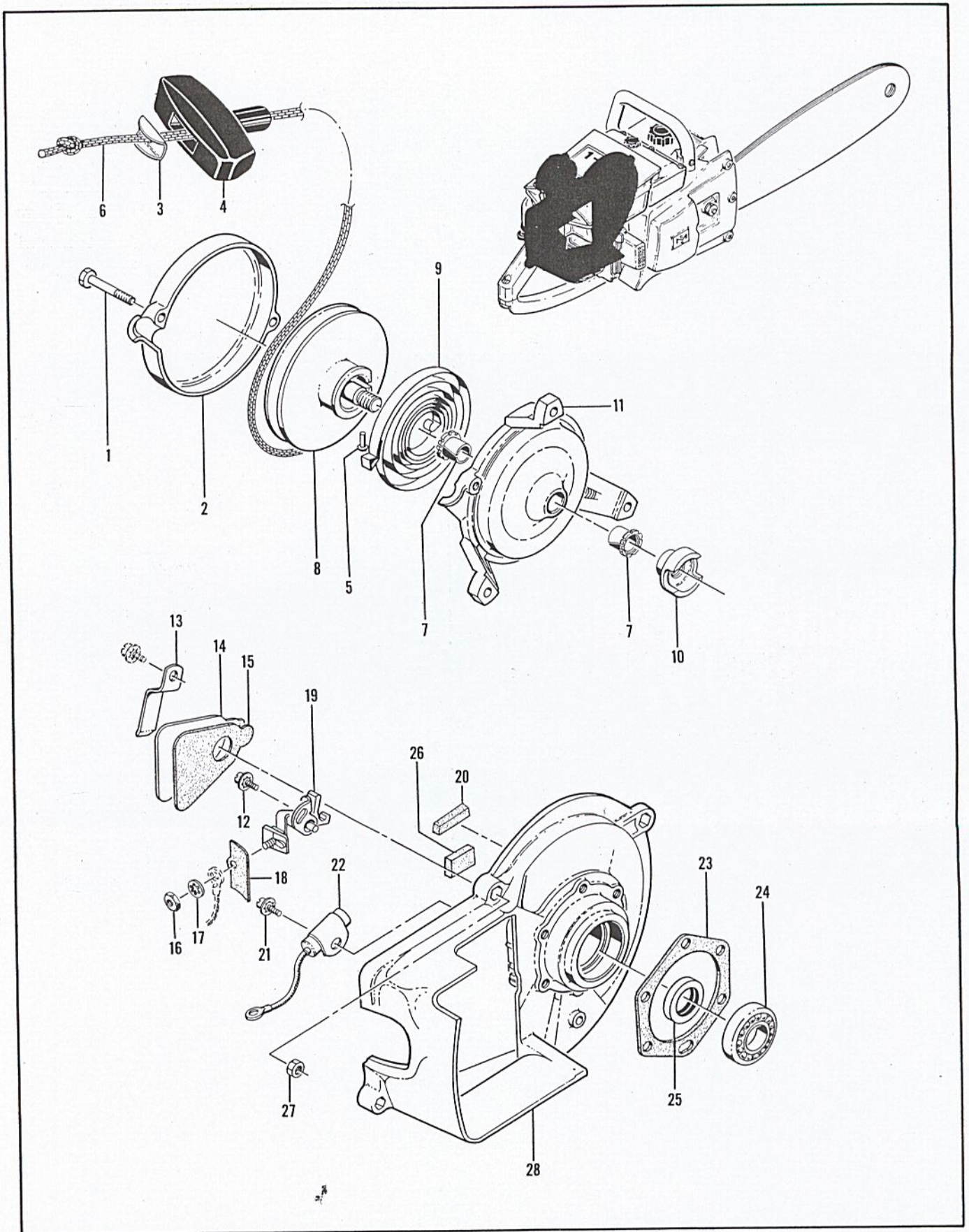


Figure 2. Starter and Crankcase Cover Assemblies

FIGURE 2 STARTER AND CRANKCASE COVER ASSEMBLIES

Index No.	Part Number	Nomenclature	Units Per Assy
	57117B	Starter Assy .....	1
1	104396	. Screw - 10-24 x 3/4 in. lg .....	2
2	57102	. Cover - Starter .....	1
3	57231	. Cup - Starter handle .....	1
4	57230	. Handle - Starter .....	1
5	101136	. Rivet .....	1
6	28716	. Rope - Starter .....	1
7	57535	. Bushing .....	2
8	57792	. Drum - Starter .....	1
9	51665	. Spring - Rewind .....	1
10	57790	. Ratchet - Starter .....	1
11	57103	. Base - Starter .....	1
12	103672	Screw - 8-32 x 1/2 in. lg (SEMS) .....	1
13	50671	Retainer - Breaker box cover .....	1
14	50588	Cover - Breaker box .....	1
15	50589	Gasket - Breaker box .....	1
16	100251	Nut - 8-32 .....	1
17	100057	Lockwasher - No. 8 internal .....	1
18	50381	Insulator - Breaker terminal .....	1
19	50076A	Breaker Assy .....	1
20	50664	Felt - Breaker box .....	1
21	103672	Screw - 8-32 x 1/2 in. lg (SEMS) .....	1
22	50074	Condenser .....	1
23	51240	Gasket - Crankcase .....	1
24	100824	Bearing - Ball .....	1
	57126	Cover - Crankcase assy .....	1
25	50663	. Seal - Oil .....	1
26	54184	. Wiper - Felt .....	1
27	101326	. Nut - Hex 10-24 .....	2
28		. Cover - Crankcase ..... (Order Crankcase Cover Assy #57126)	1

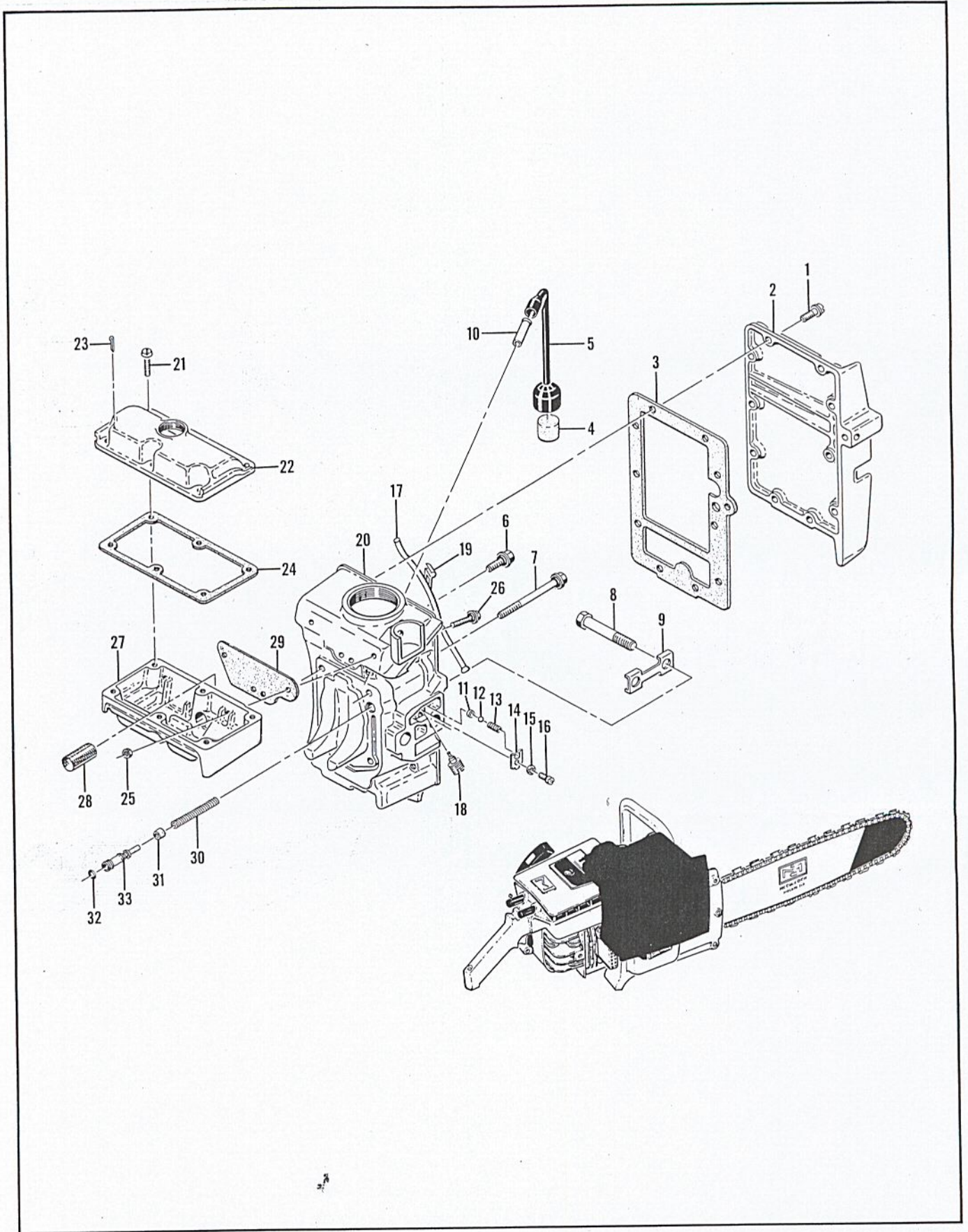


Figure 3. Oiler Tank and Fuel Tank Assemblies

FIGURE 3 OILER TANK AND FUEL TANK ASSEMBLIES

Index No.	Part Number	Nomenclature	Units Per Assy
1	104396	Screw - Pan hd 10-24 x 3/4 in. lg .....	10
2	50514	Cover - Fuel tank .....	1
3	50034B	Gasket - Fuel tank .....	1
4	50124A	Filter - Fuel .....	1
5	50082	Hose - Flex .....	1
6	50340	Screw Assy - Sealing .....	3
7	50569	Screw Assy - Sealing .....	1
	57326	Fuel Tank Assy .....	1
8	57217	. Bolt - Bar mounting .....	2
9	51439	. Lockplate .....	1
10	28042	. Tube - Fuel hose .....	1
11	51943	. Seat - Ball valve .....	1
12	100549	. Ball - 3/16 dia .....	1
13	51945	. Spring - Outlet .....	1
14	51941	. Retainer - Ball .....	1
15	100057	. Lockwasher .....	1
16	102219	. Screw - Fil hd 8-32 x 1/4 in. lg .....	1
17	50501	. Tube - Vent .....	1
18	50505A	. Orifice Assy - Fuel vent .....	1
19	104230	. Speednut .....	1
20		. Tank - Fuel .....	1
21	104395	Screw - Pan hd 10-24 x 5/8 in. lg .....	6
22	57114A	Cover - Oil tank .....	1
23	100010	Pin - Cotter .....	1
24	57152	Gasket - Oil tank cover .....	1
25	101191	Nut - Hex 10-24 .....	3
26	55494	Screw Assy - Sealing .....	3
27	57112A	Tank - Oiler .....	1
28	57279	Screen - Oiler .....	1
29	57147	Gasket - Oiler tank .....	1
30	18349A	Spring - Oiler .....	1
31	24104	Cup - Oiler piston .....	1
32	101056	"O" Ring .....	1
33	57148	Piston - Oiler .....	1

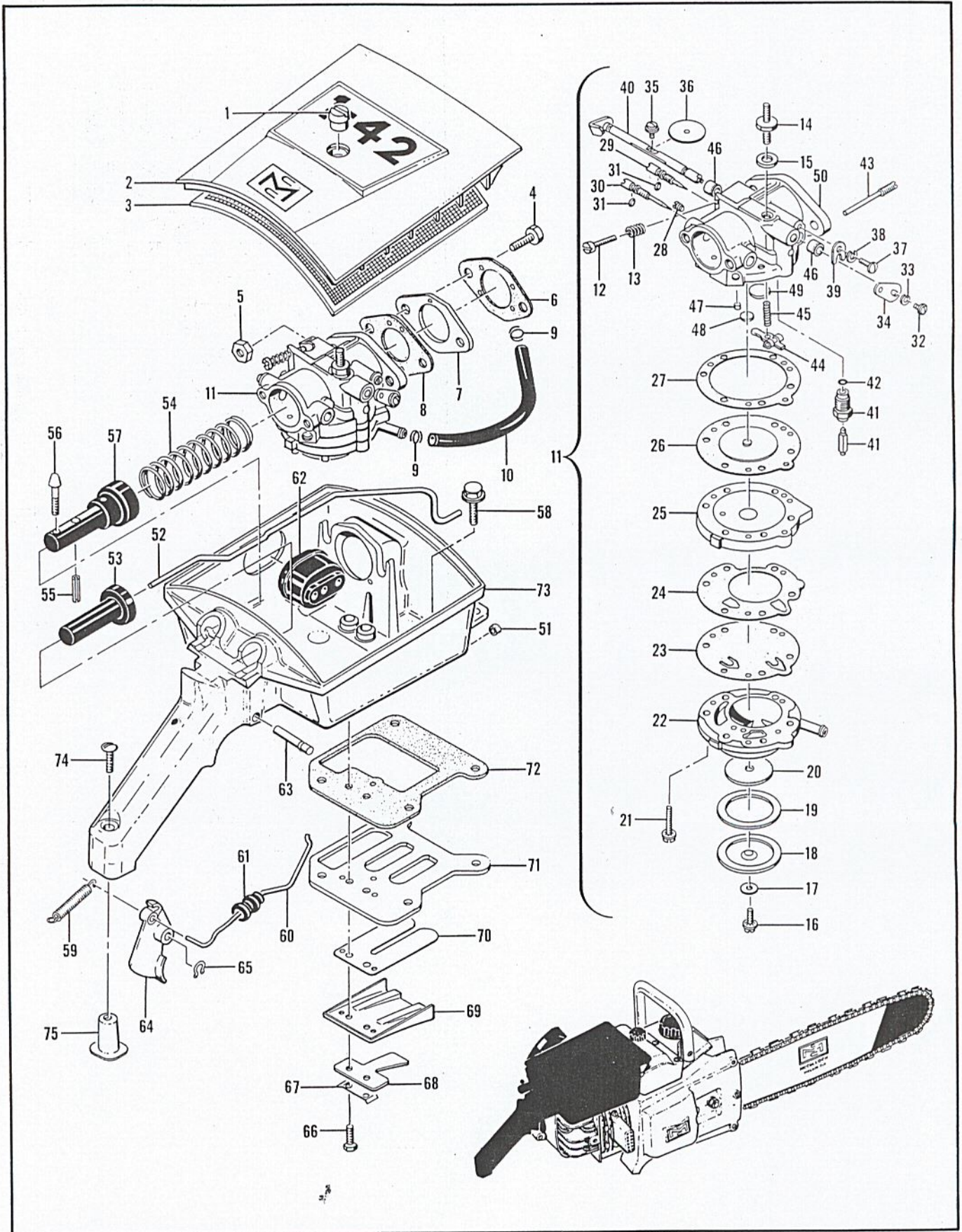


Figure 4. Air Box and Tillotson Carburetor Assembly



FIGURE 4 AIR BOX AND TILLOTSON CARBURETOR ASSEMBLY

Index No.	Part Number	Nomenclature	Units Per Assy
	50822	Cover Assy - Air cleaner .....	1
1	50674	. Nut - Air cleaner attachment .....	1
2		. Cover - Air cleaner .....	1
3	55497	Screen - Air cleaner .....	1
4	102121	Screw - Hex hd 1/4-20 x 7/8 in. lg .....	2
5	103242	Nut - Hex 1/4-20 .....	2
6	50123A	Gasket - Adapter-to-airbox .....	1
7	50686A	Adapter - Tillotson carburetor .....	1
8	55519A	Gasket - Carburetor flange .....	1
9	50742	Clamp - Fuel hose .....	2
10	50097	Hose - Fuel .....	1
11	57182B	Tillotson Carburetor Assy .....	1
12	*50799	. Screw - Idle speed regulating .....	1
13	*51705	. Spring - Idle speed regulating screw .....	1
14	50785	. Stud - Air cleaner attachment .....	1
15	50786A	. Gasket - Air cleaner attachment stud .....	1
16	*50797	. Screw - Fuel strainer cover retaining .....	1
17	50798	. Gasket - Fuel strainer cover retaining .....	1
18	50796	. Cover - Fuel strainer .....	1
19	51704	. Gasket - Fuel strainer cover .....	1
20	*50795	. Element - Fuel strainer .....	1
21	51597	. Screw and Lockwasher - Fuel pump body .....	6
22	50670	. Body - Fuel pump .....	1
23	57574	. Diaphragm - Fuel pump .....	1
24	*51594	. Gasket - Fuel pump .....	1
25	51592	. Cover - Diaphragm .....	1
26	*51590	. Diaphragm .....	1
27	51591	. Gasket - Diaphragm .....	1
28	51589	. Drain Screw - Diaphragm chamber .....	1
29	*55645	. Screw - Idle adjustment .....	1
30	*55644	. Screw - Main adjustment .....	1
31	51703	. Ring - Seal .....	2
32	51717	. Screw - Throttle shaft clip .....	1
33	100252	. Lockwasher - Throttle shaft clip .....	1
34	50804	. Lever - Throttle governor .....	1
35	*51721	. Screw and Lockwasher - Throttle shutter .....	1
36	51720	. Shutter - Throttle .....	1
37	51719	. Screw - Throttle governor lever .....	1
38	*100261	. Lockwasher - Throttle governor lever .....	1
39	51716	. Clip - Throttle shaft .....	1
40	50803	. Throttle Shaft and Lever .....	1
41	*51707A	. Seat and Needle .....	1
42	51708	. Gasket - Inlet seat .....	1
43	*51710	. Screw - Inlet control lever pinion .....	1
44	*51709	. Lever - Inlet control .....	1
45	51711	. Spring - Inlet tension .....	1
	57282B	. Carburetor Body Assy (For Service) .....	1
46	51715	. Bushing - Throttle shaft .....	2
47	*51582	. Plug - Body channel cup .....	1
48	*51583	. Plug - Body channel welch .....	1
49	*51584	. Plug - Body channel welch .....	1
50		. Carburetor Body .....	1
		(Order Assy #57282B)	
	*50806	Gasket and Packing Set .....	1
	50807	Repair Parts Kit .....	1
51	55449A	Washer - Felt .....	1
52	50568	Pushrod - Oiler .....	1
53	50591B	Button - Oiler .....	1
54	50147B	Spring - Choke .....	1
55	101556	Pin - Roll .....	1
56	50776	Screw .....	1
57	57124	Button - Choke .....	1

\*Indicates contents of Repair Parts Kit

This list is continued on page 11

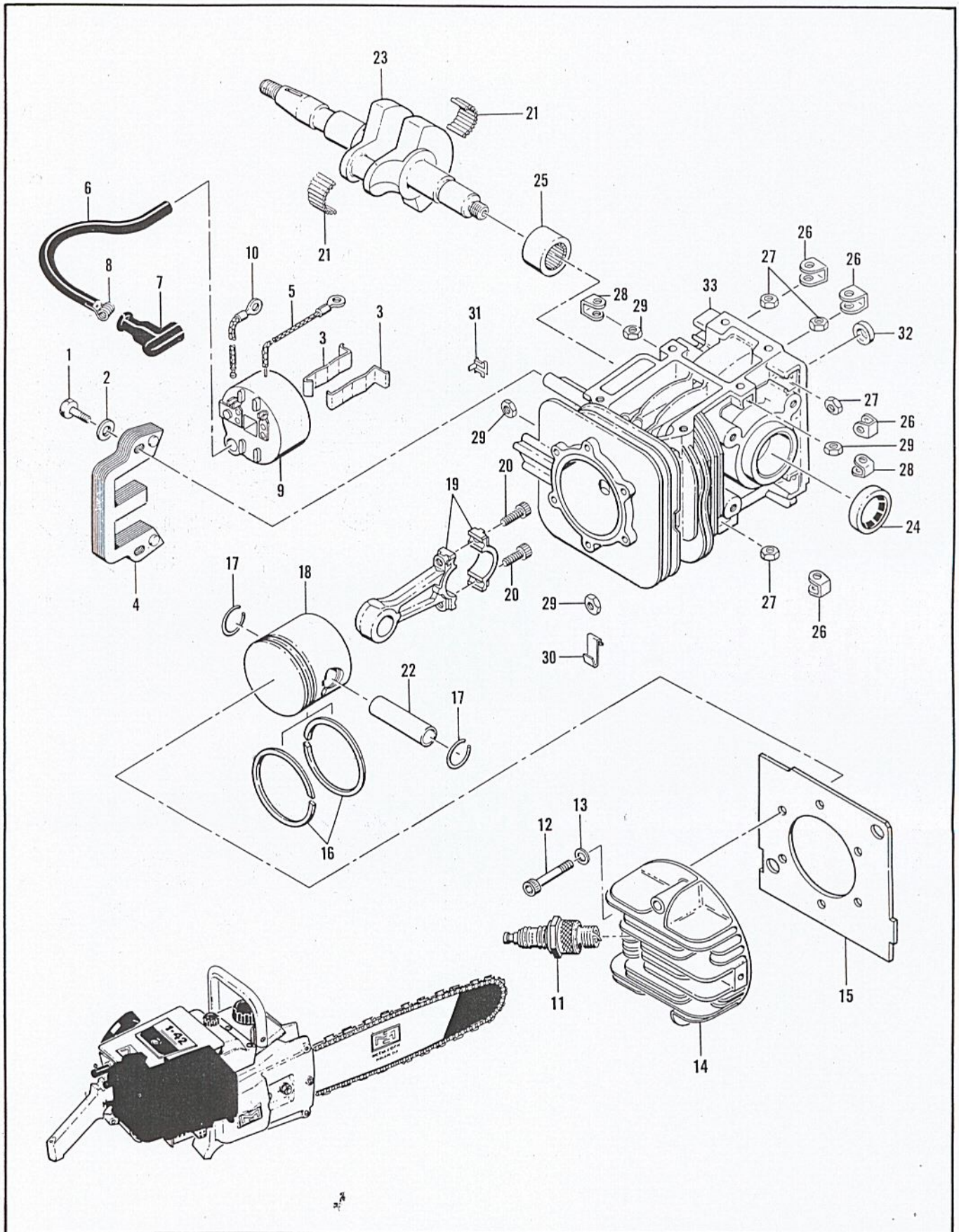


Figure 5. Powerhead Assembly

FIGURE 4 AIR BOX AND TILLOTSON CARBURETOR ASSEMBLY

Index No.	Part Number	Nomenclature	Units Per Assy
58	104138	Screw - Hex hd 10-24 x 7/8 in. lg (SEMS)	2
	57449C	Airbox Assy	1
59	36499	. Spring - Throttle	1
60	50684	. Rod - Throttle	1
61	51561	. Grommet - Throttle	1
62	57105	. Grommet - Carburetor controls	1
63	50507	. Pin	1
64	50091B	. Trigger	1
65	104501	. Retainer	1
66	103740	. Screw - Hex hd 8-32 x 5/8 in. lg	2
67	51480	. Lockplate	1
68	57658	. Clamp - Reed	1
69	57654	. Deflector - Fuel	1
70	51809A	. Reed	1
71	57656A	. Plate - Reed	1
72	57145	. Gasket - Air box	1
73		Airbox (Order Airbox Assy #57449C)	1
74	104578	. Screw - Oval hd 10-24 x 1/2 in. lg	1
75	57873	. Plug - Handle	1

FIGURE 5 POWERHEAD ASSEMBLY

Index No.	Part Number	Nomenclature	Units Per Assy
1	104138	Screw - Hex hd 10-24 x 7/8 in. lg (SEMS)	2
2	102189	Washer - Plain	2
3	51253	Retainer - Coil	2
4	51251	Lamination Assy	1
	57120B	Coil and Terminal Assy	1
5	101883	. Wire Assy - Ground	1
6	52547	. Wire Assy - Spark plug	1
7	55060	. Boot - Spark plug	1
8	55061	. Connector	1
9		Coil Assy (Order Coil and Terminal Assy #57120)	1
10	57725	Wire Assembly - Primary	1
11		Plug - Spark 14MM	1
12	101563	Screw - Socket hd 10-24 x 1-1/4 in. lg	6
13	24236	Washer - Plain #10	6
14	55355	Head - Cylinder	1
15	48858	Gasket - Cylinder head	1
	50206	Piston Assy	1
16	55123	. Ring - Piston (Set of 2 rings - chrome top ring)	1
17	50133	. Ring - Retaining	2
18		. Piston (Order Piston Assy #50206)	1
19	55009	Connecting Rod Assy	1
20	101356	. Screw - Socket hd 10-32 x 3/4 in. lg	2
21	102742	. Roller - Needle	24
22	50207A	Pin - Piston	1
23	50659	Crankshaft	1
	57409	Cylinder Assy - Crankcase	1
24	104128	. Seal - Oil	1
25	104129	. Bearing - Needle	1
26	10556A	. Retainer - Nut	6
27	101143	. Nut - Hex 1/4-20	6
28	28053	. Retainer - Nut	2
29	101326	. Nut - Hex 10-24	8
30	57063	. Retainer - Nut	4
31	104255	. Retainer - Nut	2
32	55449A	. Washer - Felt	1
33		Cylinder - Crankcase Assy (Order Assy #57409)	1

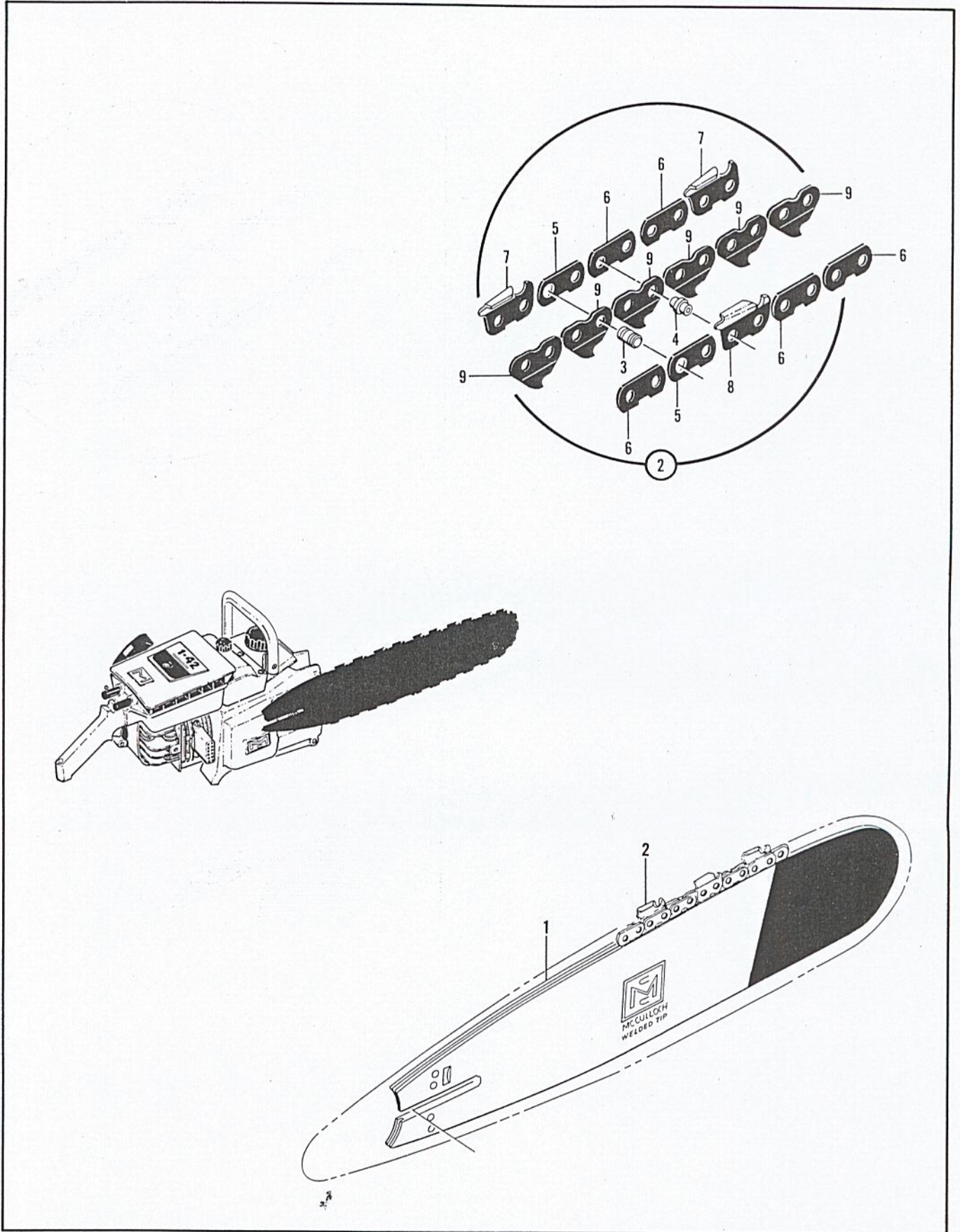


Figure 6. Bar and Chain Assembly

FIGURE 6 BAR AND CHAIN ASSEMBLY

Index No.	Part Number	Nomenclature	Units Per Assy
1	50361	Bar - Flame Hardened - .185 inch wide - 12''	1
	51403B	Bar - Hard Faced - .185 inch wide - 12''	1
	52551	Bar - Flame Hardened - .185 inch wide - 18''	1
	51405A	Bar - Hard Faced - .185 inch wide - 18''	1
	51407A	Bar - Hard Faced - .185 inch wide - 24''	1
	50607	Laminated Bar - Flame Hardened - 12''	
	50606	Laminated Bar - Hard Faced - 12''	
	50347	Laminated Bar - Flame Hardened - 18''	
	50346	Laminated Bar - Hard Faced - 18''	
	50348	Laminated Bar - Hard Faced - 24''	
2		Typical McCulloch "P" Series Chain Assy	
3	.	Master Pin	
4	.	Rivet	
5	.	Master Side Link	
6	.	Side Link	
7	.	Cutter - Left side	
8	.	Cutter - Right side	
9	.	Center Link	

TOOLS AND ACCESSORIES

Part Number	Nomenclature
*51445	Wrench and Screwdriver Combination
*57747	Owners' Manual of Operating Instructions
*57749	Illustrated Parts List
51443	Spike
36248	Wrench - Spark plug
18413A	Feeler Gauge
102094	Chain Grinding Fixture
102449	McCulloch Yellow Paint (12 oz spray bomb type)
56409	McCulloch Oil (1 quart)
56404	McCulloch Oil (12 oz can)
56224	Chain Breaker - Rivet Spinner
56250	Depth Gauge - .025 - .040
56251	Depth Gauge - .045 - .060

\*Indicates items furnished with each saw

OVERSIZE PISTON ASSEMBLY

Part Number	Nomenclature	Units Per Assy
50134	Piston Assembly .020 oversize	1
55125	. Ring - Piston .020 oversize (Set of two rings)	1
50133	. Ring - Retaining	2