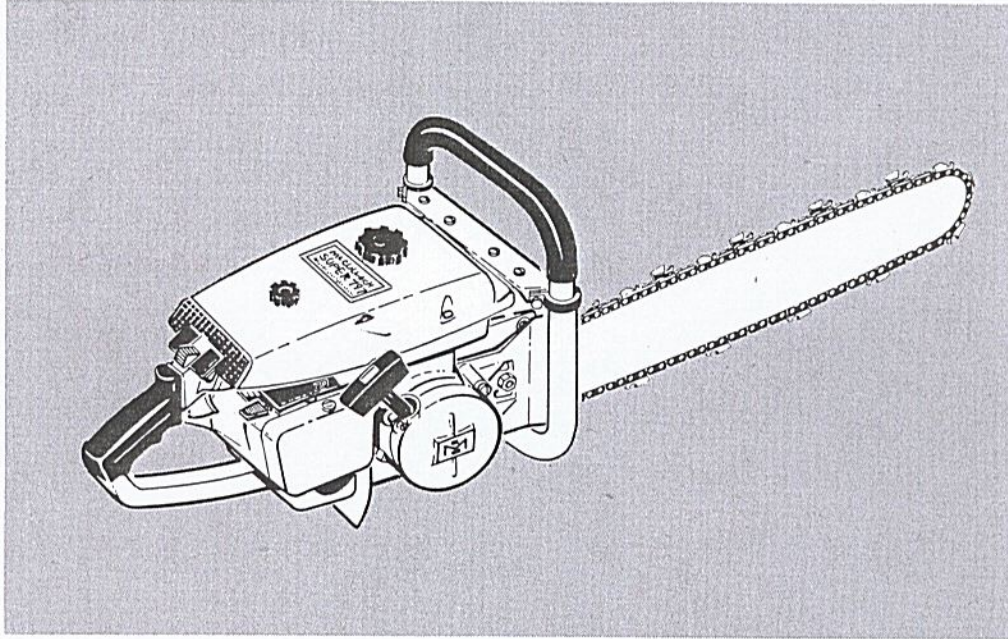


SUPER 797 Chain Saw

MODEL 600130 - SERIAL NUMBERS PREFIXED 15- & A14-

ILLUSTRATED PARTS LIST



August 1969

The policy of McCulloch Corporation is one of continual improvement in design, manufacturing and engineering advancement wherever possible to assure still finer two-cycle power tools. Hence, specifications, equipment, colors, design and manufacturer's suggested list prices are subject to change without notice and McCulloch Corporation reserves the right to make such changes without prior notification or obligation to backfit or supply backfit components for units previously shipped from the factory.

	Page
Figure 1. Engine Exploded View - General . . .	2
Figure 2. Fuel System Components	4
Figure 3. Carburetor and Fuel Collector . . .	6
Figure 4. Starter and Clutch Assembly	8
Figure 5. Chain Oiler Assemblies	10
Figure 6. Powerhead Assembly	12
Figure 7. Handle and Control Assembly	14



McCULLOCH

SUPER 797

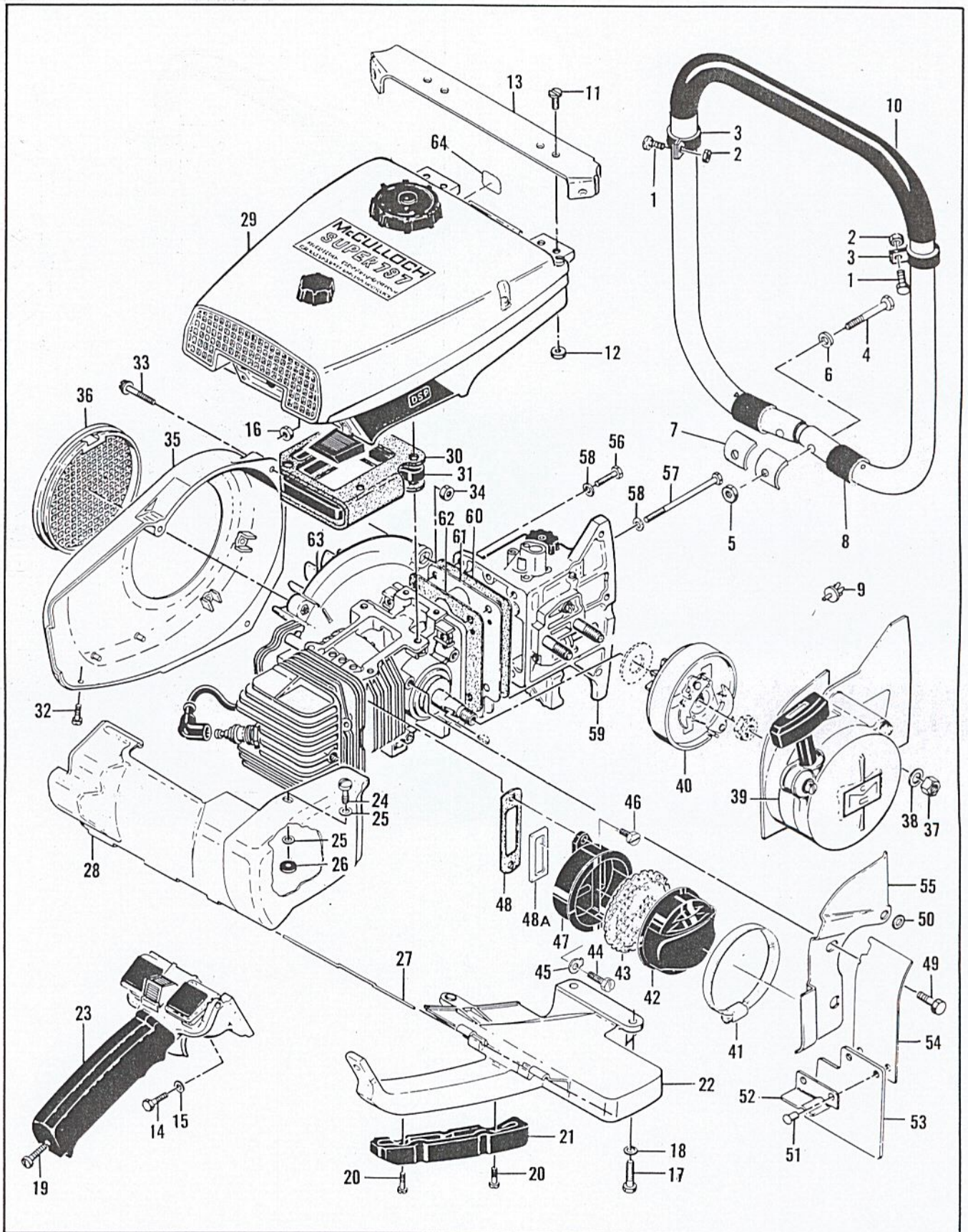


Figure 1. Engine Exploded View - General

FIGURE 1. ENGINE EXPLODED VIEW — GENERAL

Item No.	Part Number	Description	Units Per Assy
1	102761	Screw - Hex hd 10-24 x 7/8	2
2	105367	Nut - Hex 10-24	2
3	103923	Clamp	2
4	102125	Screw - Hex hd 1/4-20 x 1-3/4	2
5	105394	Nut - Hex 1/4-20	2
6	-100950	Washer - 1/4	2
7	83233	Spacer - Frame	4
8	69885	Protector - Frame	2
9	83556	Rivet	2
10	-60231A	Frame & Grip Assy	1
11	104393	Screw - Pan hd 10-24 x 3/8	4
12	101191	Nut - Hex 10-24	4
13	83363	Brace - Frame	1
14	102761	Screw - Hex hd 10-24 x 7/8	2
15	102189	Washer - #10	2
16	102067	Nut - Hex 10-24	2
17	102121	Screw - Hex hd 1/4-20 x 7/8	2
18	100005	Washer - 1/4	2
19	104397	Screw - Pan hd 10-24 x 7/8	1
20	104483	Screw - Bind hd 10-24 x 5/8	2
21	55941	Insert - Handle	1
22	57872	Brace - Handle	1
23		Handle & Control Assy (See Figure 7)	
24	51351	Screw - Special	1
25	100005	Washer - 1/4	2
26	-83367	Retainer	1
27	55885	Pin - Shroud	1
28	66259	Shroud Assy	1
29		Fuel System Components (See Figure 2)	
30	67477	Gasket - Insulator	1
31	53684A	Insulator	1
32	102500	Screw - Pan hd 10-24 x 1/2	1
33	104816	Screw - 10-24 x 1-1/4 (SEMS)	3
34	101326	Nut - Hex 10-24	2

Item No.	Part Number	Description	Units Per Assy
35	66812	Housing - Fan	1
36	55615	Guard - Flywheel	1
37	-110625	Nut - Hex 3/8-24	2
38	100006	Washer - 3/8	2
39		Starter Assy (See Figure 4)	
40		Clutch, Drum & Bearing Assy (See Figure 4)	
41	83368	Clamp	1
42	68238	Top Assy	1
43	-69325	Baffle	1
44	102761	Screw - Hex hd 10-24 x 7/8	1
45	69890	Lockplate	1
46	-104950	Screw - Hex hd 10-24 x 5/8	2
47	68241	Bottom Assy	1
48	53652	Gasket - Spark arrester	1
48A *	83379	Gasket - Spark arrester	1
49	104133	Screw - 1/4-20 x 5/8 (SEMS)	3
50	100004	Washer - 1/4	1
	67826	Guard Assy	1
51	103819	. Rivet	2
52	55113	. Angle	1
53	55112	. Deflector	1
54	67827	. Shield	1
55	55255	Jacket - Cylinder	1
56	103258	Screw - Hex hd 1/4-20 x 1-1/8	2
57	102127	Screw - Hex hd 1/4-20 x 3-1/4	2
58	100005	Washer - 1/4	4
59		Oiler Housing Assy (See Figure 5)	
60	60252	Gasket - Oiler housing	1
61	67253	Cover - Crankcase bottom	1
62	65578	Gasket - Crankcase bottom cover	1
63		Powerhead Assy (See Figure 6)	
64	59445	Decal - Oiler	1

* Gasket, P/N 83379, for use with service replacement Crankcase Assy, P/N 67420

Part numbers which have changed since the previous printing of the illustrated parts list covering this model, are indicated by a dash (-) preceding the new part number.

SUPER 797

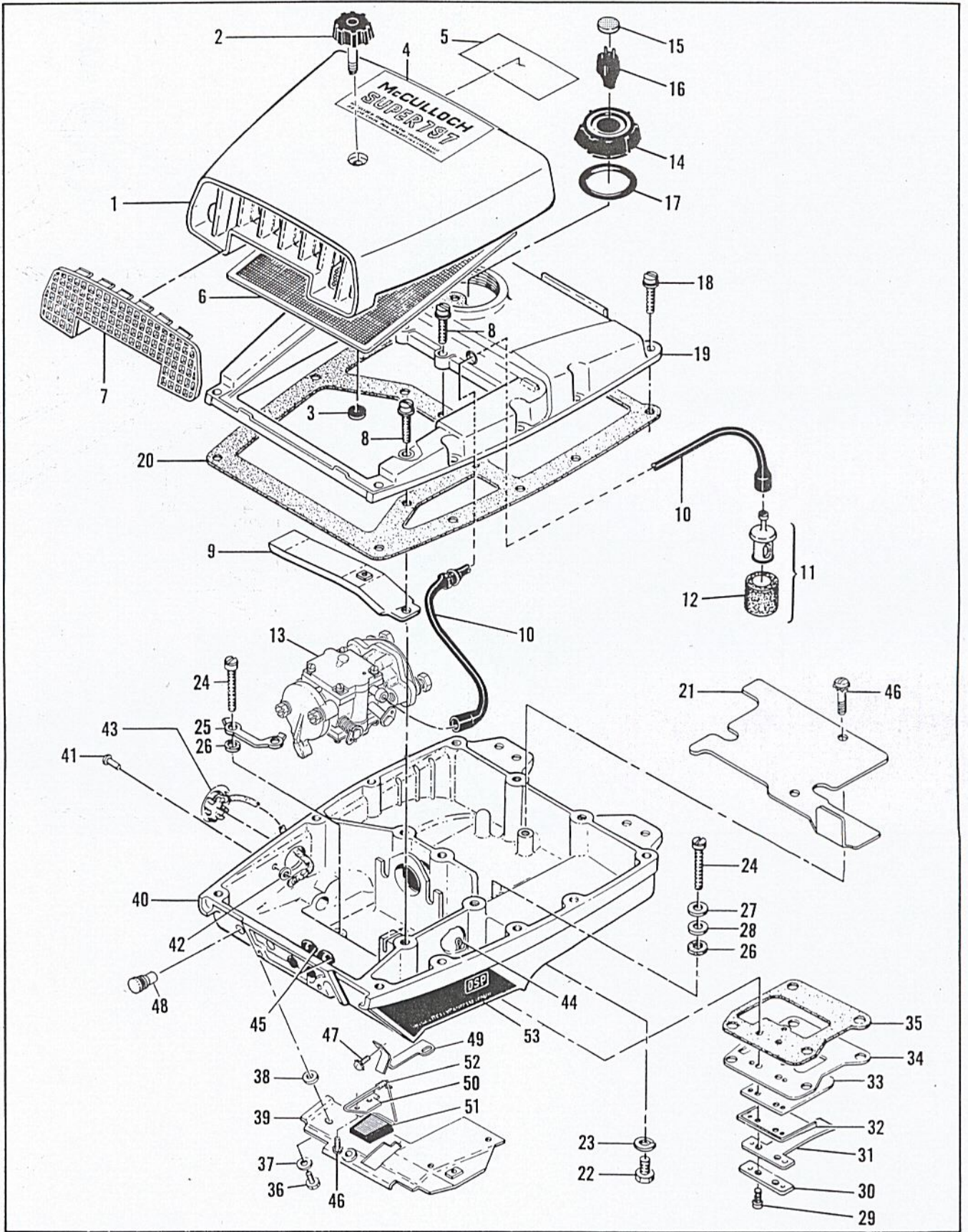


Figure 2. Fuel System Components

FIGURE 2. FUEL SYSTEM COMPONENTS

Item No.	Part Number	Description	Units Per Assy
1	60427A	Cover Assy - Air cleaner	1
2	60243	. Knob - Air cleaner cover	1
3	- 83367	. Retainer	1
4	- 83357	Nameplate	1
5	63814	Instruction Plate	1
6	67931	Screen - Air cleaner	1
7	55659	Grill - Air cleaner cover	1
8	104396	Screw - Pan hd 10-24 x 3/4	1
9	55634	Anchor Assy - Air cleaner	1
	63831	Hose Assy - Fuel	1
10	63669	. Hose	1
11	53679B	. Pickup Assy	1
12	61159	. . Filter	1
13		Carburetor (See Figure 3)	
14	55934B	Cap Assy - Fuel	1
15	55063	. Filter - Fuel cap	1
16	53766A	. Valve - Fuel cap	1
17	101348	"O" Ring - Fuel cap	1
18	104396	Screw - Pan hd 10-24 x 3/4	14
19	69001	Cover - Fuel	1
20	65632	Gasket - Fuel tank	1
21	63650	Liner - Fuel tank	1
22	102151	Screw - Hex hd 1/4-20 x 1/2	1
23	105043	Lockwasher	1
24	55948A	Screw - Fuel tank	4
25	68654	Lockplate	1
26	68203	Washer - Insulating	4
27	102189	Washer	2

Item No.	Part Number	Description	Units Per Assy
28	103744	Washer - Sealing	2
29	103740	Screw - Hex hd 8-32 x 5/8	2
30	51480	Lockplate	1
31	57658A	Clamp - Reed	1
32	66274	Deflector - Fuel	1
33	48593	Valve - Reed	1
34	53685C	Plate - Reed	1
35	67096	Gasket	1
36	102388	Screw - Hex hd 10-24 x 5/8	3
37	102189	Washer	3
38	68203	Washer - Insulating	2
39	63652	Shield Assy - Fuel tank	1
40	66266	Bottom Assy - Fuel tank	1
41	104504	. Rivet	1
42	101871	. Washer	1
43	51396A	. Cover Assy - Adj. hole	1
44	104310	. Pin - Cotter	1
45	68258	. Grommet	2
46	110054	. Screw - Pan hd 6-32 x 3/8	2
47	105249	. Screw - 8-32 x 3/8 (SEMS)	3
48	69360	. Plug	2
49	64582	Retainer - Lever	1
50	63619	Plate - Lever retaining	1
51	63914A	Lever Assy - Compression release	1
52	63827	Spring - Lever	1
53	66269	Emblem - Fuel tank (DSP)	1

SUPER 797

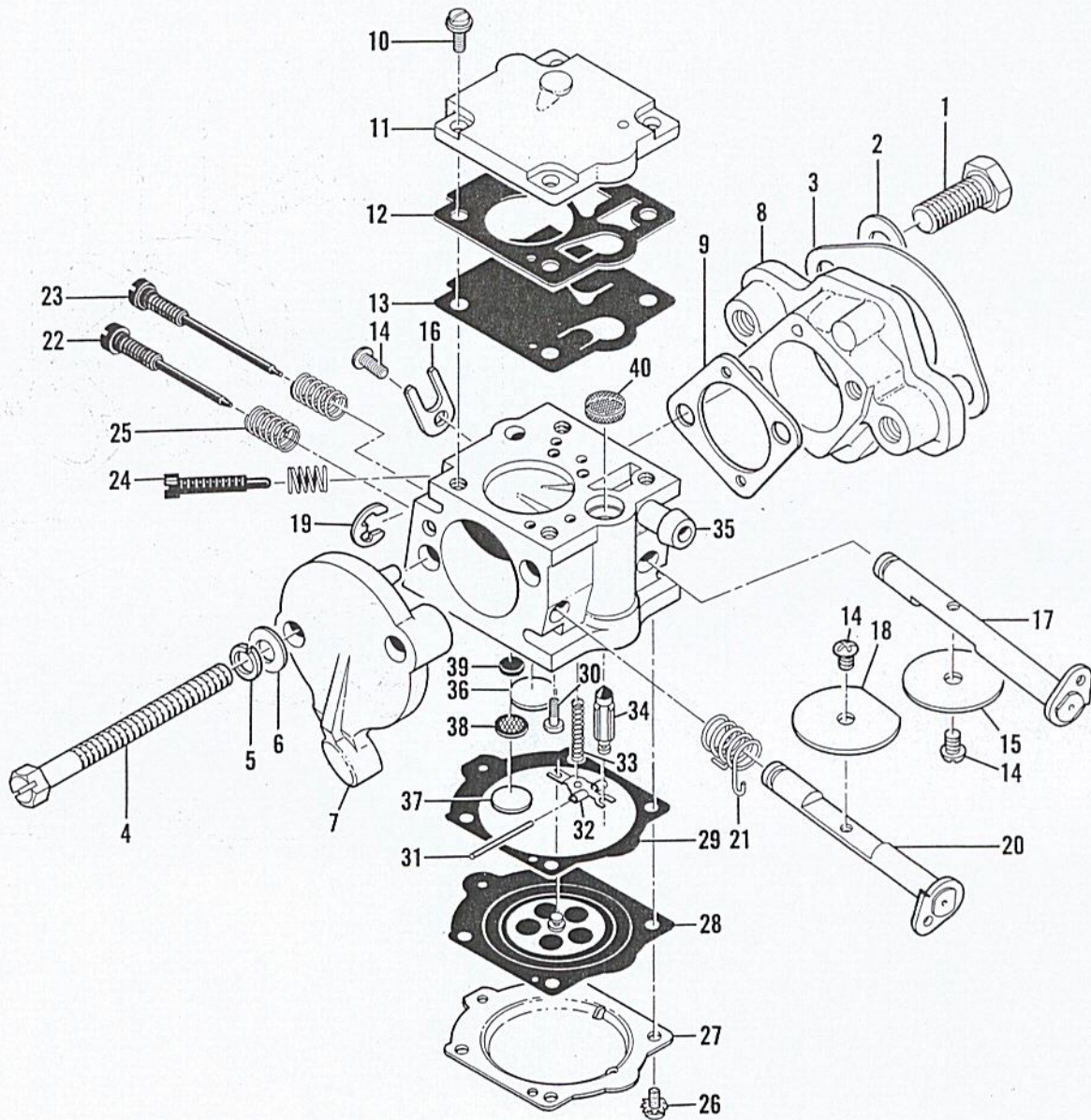


Figure 3. Carburetor Assembly

FIGURE 3. CARBURETOR ASSEMBLY

Item No.	Part Number	Description	Units Per Assy
1	100882	Screw - Hex hd 1/4-20 x 3/4	2
2	- 100005	Washer - 1/4	2
3	65586	Gasket - Adapter	1
4	- 110614	Screw - Hex hd 10-24 x 2-3/8	2
5	- 103174	Lockwasher - #10	2
6	- 24236	Washer - Special	2
7	- 83734	Shield - Spitback	1
8	- 83722	Adapter - Carburetor	1
9	- 83059	Gasket - Carburetor	1
	- 83733	Carburetor Assy	1
10	- 67501	. Screw - Pump cover	4
11	- 83760	. Cover - Pump	1
12	-*67495	. Gasket - Cover	1
13	-*83114	. Diaphragm - Pump	1
14	-*47690	. Screw - Plate	3
15	- 83762	. Plate - Throttle	1
16	- 67489	. Clip - Throttle shaft	1
17	- 83766	. Shaft Assy - Throttle	1
18	- 67490	. Plate - Choke	1
19	- 68211	. Ring - Retaining	1
20	- 83767	. Shaft Assy - Choke	1

Item No.	Part Number	Description	Units Per Assy
21	- *83752	. Spring - Choke return	1
22	- *68104	. Needle - High speed adj.	1
23	- *68105	. Needle - Idle adj.	1
24	- *68106	. Screw - Idle speed adj.	1
25	- *67502	. Spring - Adjustment	3
26	- 70798	. Screw - Diaphragm cover	4
27	- 83761	. Cover - Diaphragm	1
28	- *67499	. Diaphragm	1
29	- *67496	. Gasket - Diaphragm	1
30	- *67500	. Screw - Lever pin	1
31	- *67508	. Pin - Lever	1
32	- *67509	. Lever - Metering	1
33	- *67503	. Spring - Lever	1
34	- *67491	. Valve - Needle	1
35	- 83765	. Body Assy - Carburetor	1
36	- *71690	. . Plug - 3/8	1
37	- *69506	. . Plug - 5/16	1
38	- 69203	. . Seat Assy	1
39	- 69204	. . Valve	1
40	- *67507	. . Screen - Fuel	1
	- *67482	Gasket Set	
	- 83768	Repair Kit	

* Indicates parts included in Repair Kit, P/N 83768

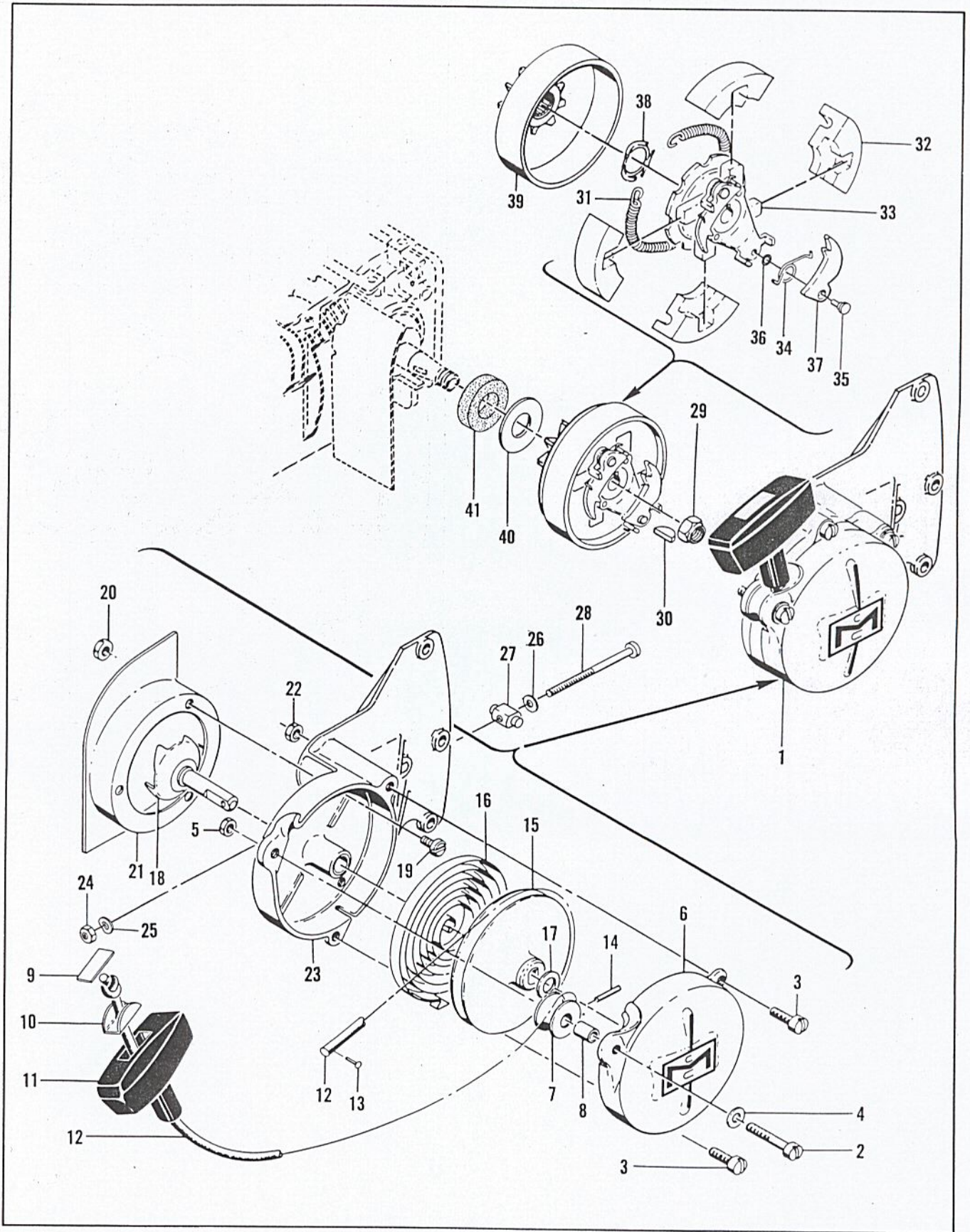


Figure 4. Starter and Clutch Assembly

FIGURE 4. STARTER AND CLUTCH ASSEMBLY

Item No.	Part Number	Description	Units Per Assy
1	63645	Starter Assy	1
2	101284	. Screw - Fil hd 10-24 x 1-1/8	1
3	103859	. Screw - Fil hd 10-24 x 3/4	2
4	102189	. Washer	1
5	101191	. Nut - Hex 10-24	1
6	55024B	. Cover - Starter	1
7	51138	. Pulley - Starter rope	1
8	103536	. Bearing - Pulley	1
9	57232	. Plate - Starter handle	1
10	57231	. Cup - Starter handle	1
11	57230	. Handle - Starter	1
12	28716	. Rope - Starter	1
13	101136	. Rivet	1
14	103047	. Pin - Roll	1
15	55871	. Drum - Starter	1
16	51665	. Spring - Starter rewind	1
17	104457	. Washer	1
18	51923	. Shaft Assy - Starter	1
19	104071	. Screw - Pan hd 8-32 x 5/16	3
20	100955	. Nut - Hex 8-32	3
21	63646	. Cover - Sawdust shield	1
22	101191	. Nut - Hex 10-24	2

Item No.	Part Number	Description	Units Per Assy
23	66811	. Starter Base Assy	1
24	100640	. Nut - Hex 1/4-28	1
25	102813	. Washer - Spring	1
26	100005	. Washer - 1/4	1
27	52207C	. Nut - Bar adjustment	1
28	104548	. Screw - 1/4-28 x 3-5/8	1
29	103746	Nut - Flexloc	1
30	103879	Key - Woodruff	1
	51470E	Clutch Assy	1
31	51468A	. Spring - Shoe retaining	1
32	51464A	. Shoe - Clutch	4
33	52175B	. Rotor Assy - Clutch	1
34	51910B	. . Spring - Pawl	2
35	60730	. . Pin - Special	2
36	60731	. . Spacer - Pawl	2
37	60729A	. . Pawl - Clutch	2
38	103718	Spring - Thrust	1
39		Sprocket, Clutch & Drum Assy (See Figure 5)	
40	51420	Washer - Inner sprocket	1
41	57785A	Seal - Felt	1

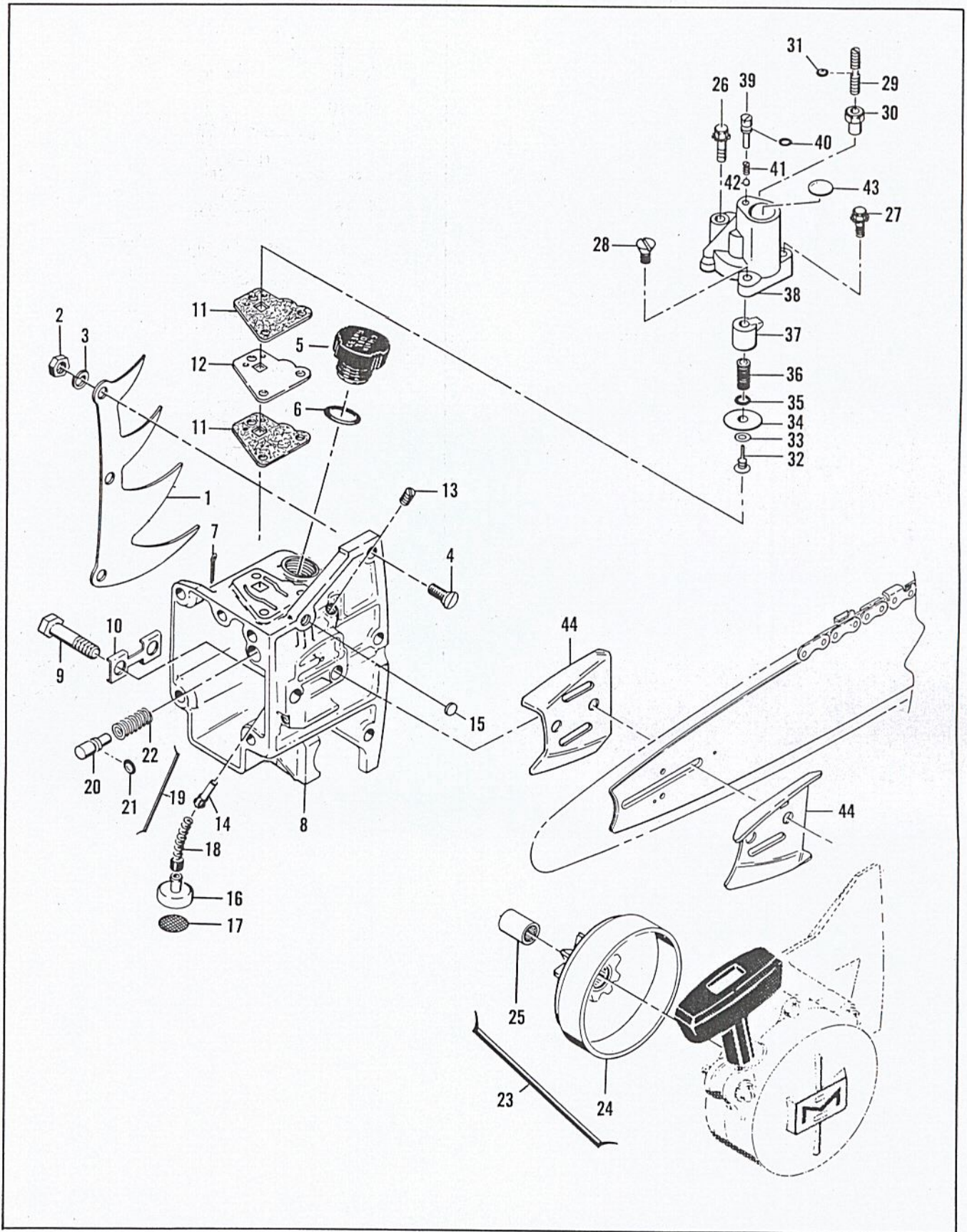


Figure 5. Chain Oiler Assemblies

FIGURE 5. CHAIN OILER ASSEMBLIES

Item No.	Part Number	Description	Units Per Assy
1	61331	Kit - Spike 4-tooth	1
2	100152	. Nut - Hex 1/4-20	3
3	100153	. Lockwasher	3
4	102088	. Screw - Flat hd 1/4-20 x 3/4	3
5	- 68809	Cap - Oiler tank	1
6	101148	"O" Ring	1
7	104062	Pin - Cotter	1
8	63060	Housing Assy - Oiler	1
9	51423B	. Bolt - Bar mounting	2
10	51439	. Plate - Lock	1
11	68794	. Gasket - Oil pump	2
12	67471	. Spacer - Pump body	1
13	104869	. Plug - Pipe 1/16-27	1
14	51982A	. Valve Assy - Check	1
15	105677	. Plug - Expansion 3/8 in	1
16	51505	Weight Assy	1
17	51506	. Screen	1
18	28007	Hose	1
19	63642	Piston Assy - Oiler	1
20	63643	. Piston - Oiler	1
21	103198	. "O" Ring - Oiler piston	1
22	51946	. Spring - Oiler	1
23	51774B	Sprocket, Clutch Drum & Bearing Assy (7 tooth - .404 pitch)	1

Item No.	Part Number	Description	Units Per Assy
24	51775B	. Drum & Sprocket Assy	1
25	103688	. Bearing - Needle	1
26	110257	Screw - Hex hd 10-24 x 1-3/4 (SEMS)	1
27	- 110127	Screw - Hex hd 10-24 x 7/8 (SEMS)	1
28	110245	Screw - Fl hd 10-24 x 3/4	1
	- 83135	Pump Assy - Pulse	1
29	- 67929	. Screw - Set 10-24 x 1-1/4	1
30	60976	. Locknut - 10-24	1
31	104001	. "O" Ring	1
32	60260A	. Piston Assy	1
33	60937	. Washer	1
34	60263	. Ring - Piston	1
35	104001	. "O" Ring - Piston	1
36	60259	. Spring - Piston	1
37	67918	. Sleeve - Piston	1
38	- 83132	. Body Assy - Pulse pump	1
39	60397A	. . Screw - Fil hd	1
40	60398B	. . Washer	1
41	60396B	. . Spring - Ball check	1
42	102809	. . Ball - Steel .093 dia	1
43	110157	. . Plug - Expansion 9/16	1
44	- 64935	Plate - Bar protector	2

SUPER 797

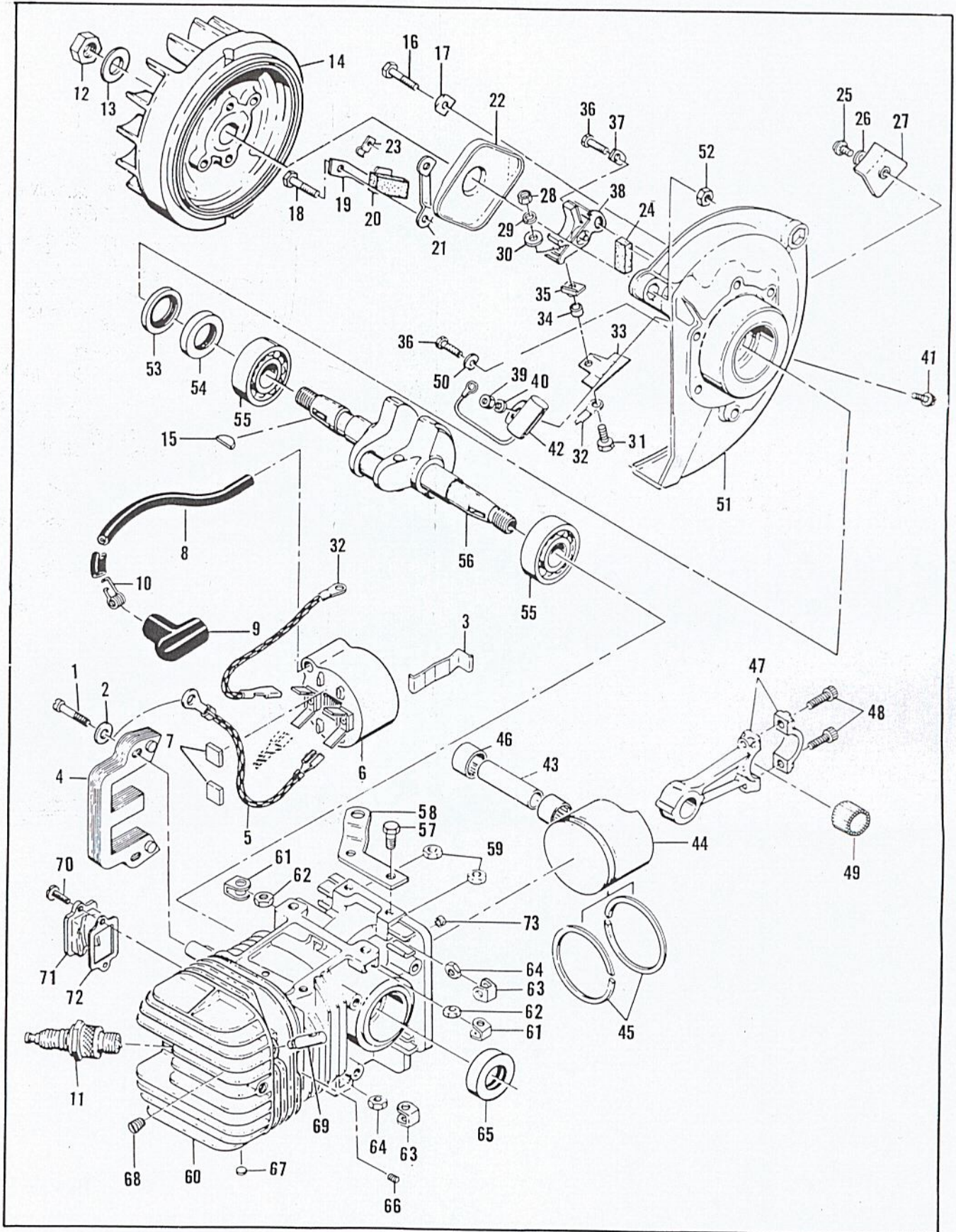


Figure 6. Powerhead Assembly

FIGURE 6. POWERHEAD ASSEMBLY

Item No.	Part Number	Description	Units Per Assy
1	104815	Screw - Hex hd 10-24 x 7/8	2
2	100352	Washer - #10	2
3	51253	Retainer - Coil	1
4	51251	Lamination Assy - Coil	1
5	63639	Wire Assy - Ground	1
6	-67937	Coil & Terminal Assy	1
7	67863	. Spacer - Lamination	2
8	63640	. Wire Assy - Spark plug	1
9	62926	. . Boot - Spark plug	1
10	62932	. . Connector - Spark plug wire	1
11	63097	Spark Plug - AC CS 45T	1
12	101179	Nut - Hex 7/16 -20	1
13	101270	Washer - Special	1
14	68281	Flywheel Assy	1
15	103879	Key - Woodruff	1
16	102763	Screw - Hex hd 10-24 x 3/4	2
17	36388	Lockplate	1
18	102763	Screw - Hex hd 10-24 x 3/4	4
19	57815	Strap - Seal	1
20	50664	Seal - Breaker box	1
21	55977	Clip - Breaker box cover	2
22	55766B	Cover - Breaker box	1
23	104230	Speednut	1
24	54184	Wiper - Felt	1
25	110055	Screw - 8-32 x 3/8 (SEMS)	1
26	100080	Washer - #8	1
27	57829	Clamp - Ignition wire	1
28	104551	Nut - Hex 8-32	1
29	104553	Lockwasher	1
30	100080	Washer - #8	1
31	110338	Screw - Hex hd 8-32 x 9/16	1
32	63628	Wire Assy - Primary	1
33	55782A	Insulator - Primary wire assy	1
34	57769	Insulator - Ignition screw	1
35	57770A	Insulator - Breaker spring	1
36	104733	Screw - 8-32 x 1/2 (SEMS)	2
37	57767A	Lockplate	1

Item No.	Part Number	Description	Units Per Assy
38	57765B	Breaker Assy	1
39	100251	Nut - Hex 8-32	1
40	100057	Lockwasher - #8	1
41	-103748	Screw - 8-32 x 1/2 (SEMS)	1
42	61650	Condenser	1
43	69408	Pin - Piston	1
44	69301	Piston Assy	1
45	69305	. Ring Set Piston	1
46	-104519	. Bearing - Needle	2
47	69250	Connecting Rod Assy	1
48	47819A	. Screw - Socket hd 10-32 x 5/8	2
49	-69891	. Roller - Needle	24
50	55778E	Washer - Breaker retainer	1
51	-69487	Crankcase Cover Assy	1
52	101326	. Nut - Hex 10-24	2
53	57897	. Seal - Oil	1
54	57898	. Seal - Oil	1
55	66016	Bearing - Ball	2
56	-69346	Crankshaft	1
57	102762	Screw - Hex hd 10-24 x 1/2	2
58	53271	Bracket - Fuel tank mounting	1
59	101326	Nut - Hex 10-24	2
60	67420	Cylinder Assy - Crankcase	1
61	28053	. Retainer - Nut	2
62	101326	. Nut - Hex 10-24	2
63	18556A	. Retainer - Nut	6
64	105394	. Nut - Hex 1/4-20	6
65	104432	. Seal - Oil	1
66	110034	. Insert - Taplok	3
67	110340	. Plug - Expansion 9/16	3
68	104869	. Plug - Pipe 1/16-27	1
69	-69877	. Valve - Compression rel.	1
70	110196	Screw - 8-32 x 7/16	2
71	65917	Cover - Boost port	1
72	68924	Gasket - Port cover	1
73	57736	Seal - Pushrod	1

SUPER 797

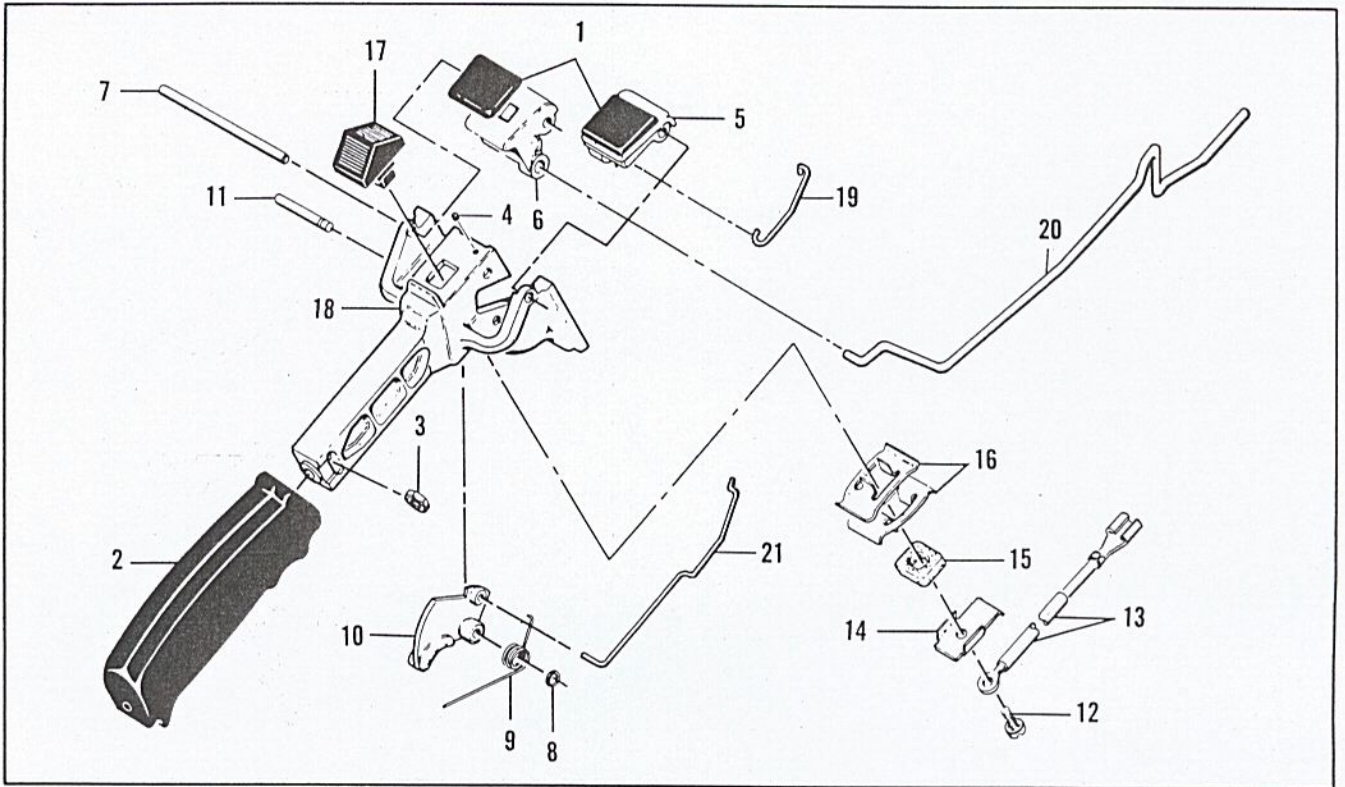


Figure 7. Handle and Control Assembly

FIGURE 7. HANDLE AND CONTROL ASSEMBLY

Item No.	Part Number	Description	Units Per Assy
1	55670	Grommet	2
	64860	Handle & Control Assy	1
2	55624A	. Grip - Handle	1
3	101326	. Nut - Hex 10-24	1
4	104484	. Screw - Set 8-32 x 1/4	1
5	55968A	. Button - Choke	1
6	55969A	. Button - Oiler	1
7	51344A	. Shaft - Button	1
8	104501	. Retainer - Trigger pin	1
9	55674	. Spring - Trigger return	1
10	63663	. Trigger	1

Item No.	Part Number	Description	Units Per Assy
11	50507	. Pin - Trigger	1
12	103672	. Screw - Fil hd 8-32 x 1/2 (SEMS)	1
13	63662	. Wire Assy - Stop switch	1
14	51279	. Contact - Switch	1
15	51555	. Insulator - Switch	1
16	51554A	. Detent - Switch	2
17	57718	. Button - Switch	1
18	55986	. Handle	1
19	- 83706	Pushrod - Choke	1
20	51857B	Pushrod - Oiler	1
21	- 83705	Pushrod - Throttle	1

ACCESSORIES

Part Number	Description
- 69550	Owner's Manual
61040	Wrench & Screwdriver Combination
- 69302	Piston Assy - 0.010 in. oversize
- 69306	. Ring Set - 0.010 in. oversize
- 69303	Piston Assy - 0.020 in. oversize
- 69307	. Ring Set - 0.020 in. oversize
- 69304	Piston Assy - 0.030 in. oversize
- 69308	. Ring Set - 0.030 in. oversize

Part Number	Description
64797	Wrench - Spark Plug
51178C	Spkt, Drum, Bearing Assy 7/16 in. 7 tooth
51793B	Spkt, Drum, Bearing Assy 1/2 in. 6 tooth
65712	Timing Guide
63432	Spark Plug - AC CS42T
68256	Retainer - Split bearing
- 83209	Kit - Piston Pin & Bearing Tool
- 69332	Kit - Alternate baffle