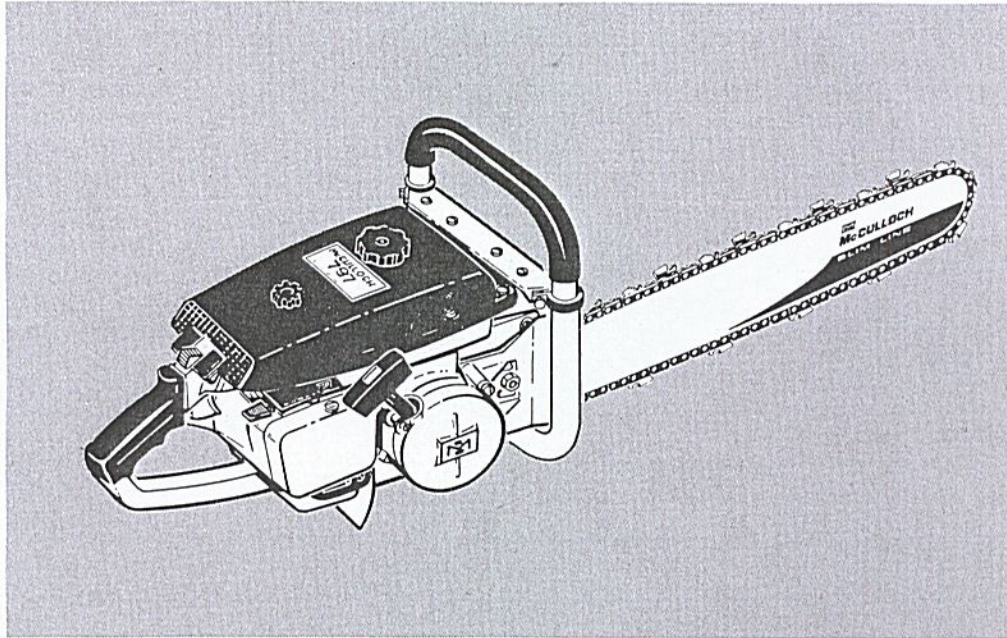


Model 797 Chain Saw

ILLUSTRATED PARTS LIST



February 1967

The following pages contain item-numbered illustrations of the service parts for this saw. Facing each illustration are lists which give the description and the quantity of each service part.

Part numbers will be found on the appropriate parts list sheet covering the serial number block of the particular saw. Locate the figure and item in this book, of the part in which you are interested. Then turn to the appropriate parts list sheet and following the figure and item number will be found the correct part number of the service part.

When changes in this parts list occur, either in the illustrations, in part numbers or in quantities used, these differences will be explained or shown on a superseding parts list sheet.

	Page
Figure 1. Engine Exploded View - General . . .	2
Figure 2. Fuel System Components	4
Figure 3. Carburetor and Fuel Collector . . .	6
Figure 4. Starter and Clutch Assembly	8
Figure 5. Chain Oiler Assemblies	10
Figure 6. Powerhead Assembly	12
Figure 7. Handle and Control Assembly	14



McCULLOCH

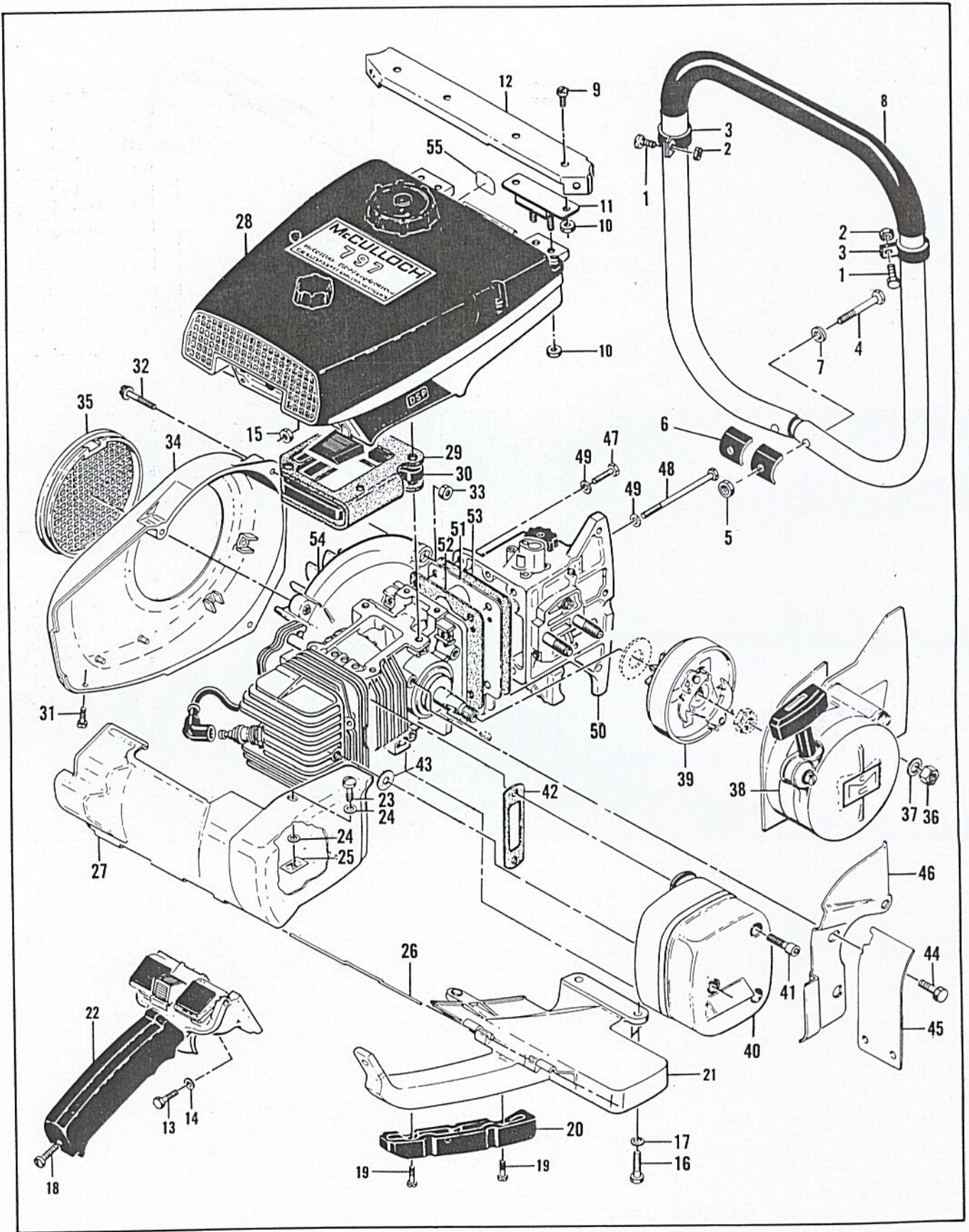


Figure 1. Engine Exploded View - General

FIGURE 1. ENGINE EXPLODED VIEW — GENERAL

Item No.	Description	Units Per Assy
1	Screw - Hex hd 10-24 x 7/8	2
2	Nut - Hex 10-24	2
3	Clamp	2
4	Screw - Hex hd 1/2 x 1-3/4	2
5	Nut - Hex 1/4-20	2
6	Insulator	2
7	Washer	2
8	Frame and Grip Assy	1
9	Screw - Pan hd 10-24 x 3/8	4
10	Nut - Hex 10-24	8
11	Mount - Shock	2
12	Brace - Frame	1
13	Screw - Hex hd 10-24 x 7/8	2
14	Washer - #10	2
15	Nut - Hex 10-24	2
16	Screw - Hex hd 1/4-20 x 7/8	2
17	Washer - 1/4	2
18	Screw - Pan hd 10-24 x 7/8	1
19	Screw - Bind hd 10-24 x 5/8	2
20	Insert - Handle	1
21	Brace - Handle	1
22	Handle and Control Assy (See Figure 7)	1
23	Screw - Special	1
24	Washer - 1/4	2
25	Speednut	1
26	Pin - Shroud	1
27	Shroud Assy - Cylinder and spark arrester	1
28	Fuel System Components (See Figure 2)	1

Item No.	Description	Units Per Assy
29	Gasket - Fuel tank and insulator	1
30	Insulator	1
31	Screw - Pan hd 10-24 x 1/2	1
32	Screw - 10-24 x 1-1/4 (SEMS)	3
33	Nut - Hex 10-24	2
34	Housing - Fan	1
35	Guard - Flywheel	1
36	Nut - Hex 3/8-24	2
37	Washer - 3/8	2
38	Starter Assy (See Figure 4)	1
39	Clutch, Drum and Bearing Assy (See Figure 4)	1
40	Spark Arrester and Screw Assy	1
41	Screw - Socket hd 10-24 x 5/8	3
42	Gasket - Spark Arrester	1
43	Washer - Insulator	1
44	Screw - 1/4-20 x 5/8 (SEMS)	3
45	Shield	1
46	Jacket - Cylinder	1
47	Screw - Hex hd 1/4-20 x 1-1/8	2
48	Screw - Hex hd 1/4-20 x 3-1/4	2
49	Washer - 1/4	4
50	Oiler Housing Assy (See Figure 5)	1
51	Cover - Crankcase bottom	1
52	Gasket - Crankcase bottom cover	1
53	Gasket - Oiler Housing	1
54	Powerhead Assy (See Figure 6)	1
55	Decal - Oiler	1

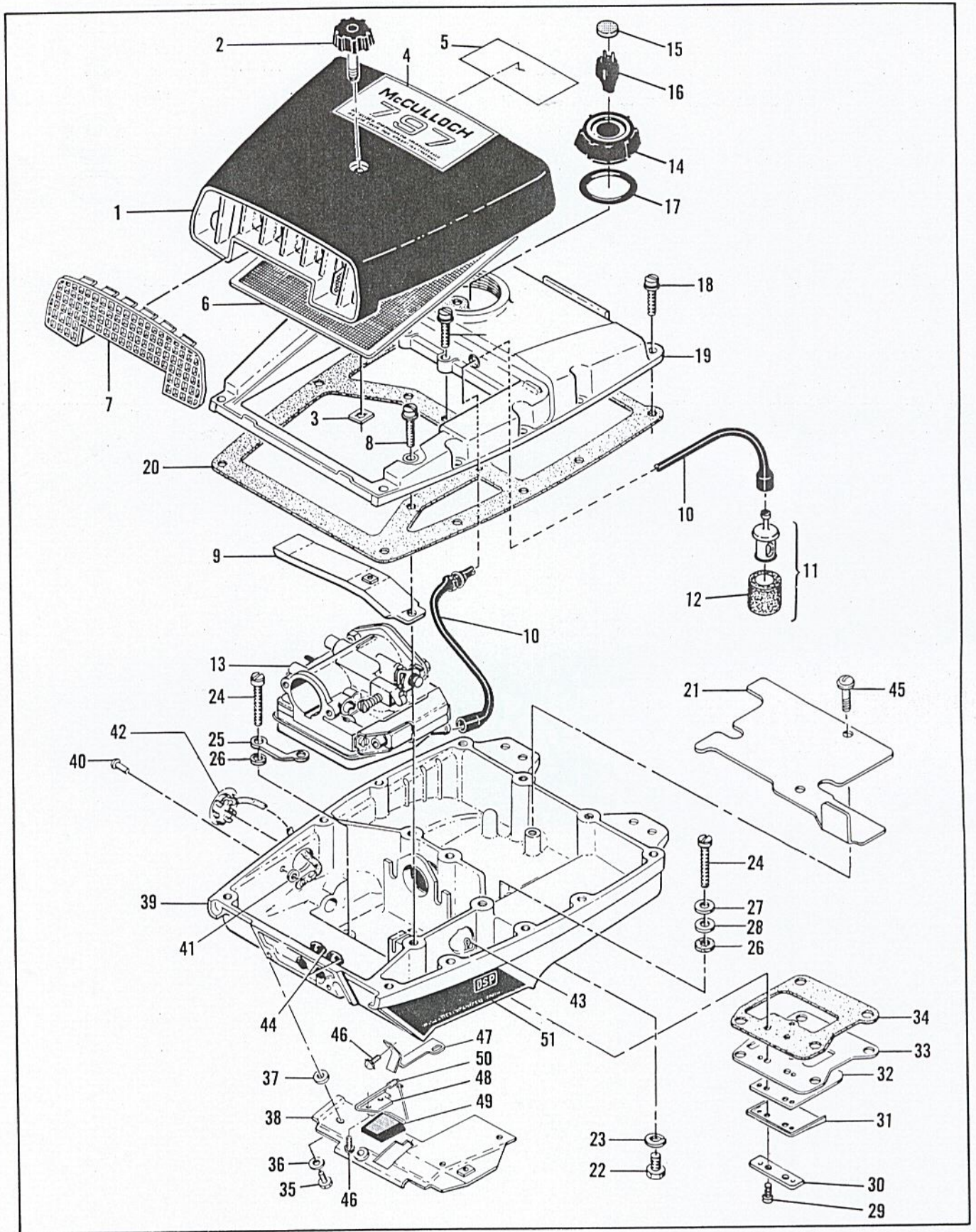


Figure 2. Fuel System Components

FIGURE 2. FUEL SYSTEM COMPONENTS

Item No.	Description	Units Per Assy
1	Cover Assy - Air cleaner	1
2	. Knob - Air cleaner cover	1
3	. Speednut	1
4	Nameplate	1
5	Instruction Plate	1
6	Screen - Air cleaner	1
7	Grill - Air cleaner cover	1
8	Screw - Pan hd 10-24 x 3/4	1
9	Anchor Assy - Air cleaner	1
10	Hose - Fuel	1
11	Pickup Assy - Fuel	1
12	Filter - Fuel pickup	1
13	Carburetor and Fuel Collector (See Figure 3)	1
14	Cap Assy - Fuel	1
15	. Filter - Fuel cap	1
16	. Valve - Fuel cap	1
17	"O" Ring - Fuel cap	1
18	Screw - Pan hd 10-24 x 3/4	14
19	Cover - Fuel	1
20	Gasket - Fuel tank	1
21	Liner - Fuel tank	1
22	Screw - Hex hd 1/4-20 x 1/2	1
23	Lockwasher	1
24	Screw - Fuel tank	4
25	Lockplate	1

Item No.	Description	Units Per Assy
26	Washer - Insulating	4
27	Washer	2
28	Washer - Sealing	2
29	Screw - Hex hd 8-32 x 7/8	2
30	Lockplate	1
31	Deflector - Fuel	1
32	Valve - Reed	1
33	Plate - Reed	1
34	Gasket	1
35	Screw - Hex hd 10-24 x 1/2	3
36	Washer	3
37	Washer - Insulating	2
38	Shield Assy - Fuel tank	1
39	Bottom Assy - Fuel tank	1
40	. Rivet	1
41	. Washer	1
42	. Cover Assy - Adjustment hole	1
43	. Pin - Cotter	1
44	. Grommet	2
45	. Screw - Pan hd 6-32 x 3/8 (SEMS)	2
46	. Screw - 8-32 x 3/8 (SEMS)	3
47	Retainer - Lever	1
48	Plate - Lever retaining	1
49	Lever Assy - Compression release	1
50	Spring - Lever	1
51	Emblem - Fuel tank (DSP)	1

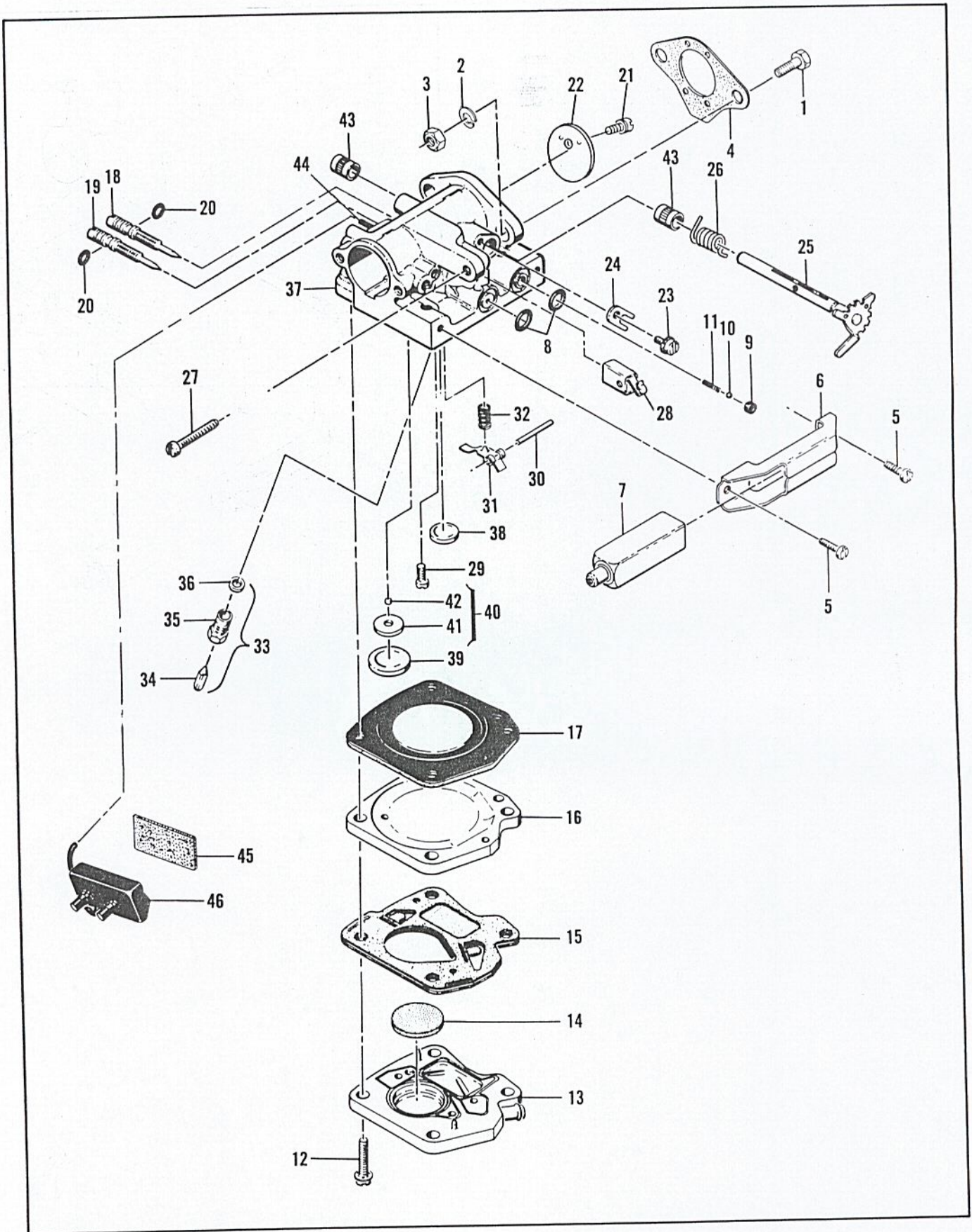


Figure 3. McCulloch Carburetor Assembly

FIGURE 3. CARBURETOR AND FUEL COLLECTOR

Item No.	Description	Units Per Assy
1	Screw - Hex hd 1/4-20 x 3/4	2
2	Lockwasher - 1/4	2
3	Nut - Hex 1/4-20	2
4	Gasket - Carburetor	1
	Carburetor Assy - McCulloch	1
5	. Screw - Pan hd 6-32 x 3/8	2
6	. Bracket - Primer mounting	1
7	. Primer Assy	1
8	. "O" Ring	2
9	. Seat - Primer valve	1
10	. Ball - Steel 1/8 in. dia	1
11	. Spring - Primer	1
12	. Screw - 10-24 x 7/8 (SEMS)	4
13	. Body - Fuel pump	1
14	. Filter - Fuel pump	1
15	. Diaphragm Assy - Fuel pump	1
16	. Plate - Carburetor diaphragm	1
17	. Diaphragm - Carburetor	1
18	. Needle - Idle adjustment	1
19	. Needle - Main adjustment	1
20	. "O" Ring	2
21	. Screw - Pan hd 4-40 x 1/4 (SEMS)	1
22	. Plate - Throttle	1
23	. Screw - 8-32 x 3/8 (SEMS)	1

Item No.	Description	Units Per Assy
24	. Clip - Shaft	1
25	. Shaft Assy - Throttle	1
26	. Spring - Idle governor	1
27	. Screw - Idle adjustment	1
28	. Guide - Throttle rod	1
29	. Screw - Pan hd 4-40 x 1/4	1
30	. Pin - Lever	1
31	. Lever - Inlet control	1
32	. Spring - Inlet control	1
33	. Valve Set - Needle and body	1
34	. . Needle - Inlet control	1
35	. . Body - Inlet control	1
36	. . Washer - Inlet control	1
37	. Body Assy - Carburetor	1
38	. . Plug - Expansion 1/2 in	1
39	. . Plug - Expansion 1 in	1
40	. . Set - Ball and seat	1
41	. . . Seat - Ball valve	1
42	. . . Ball - Valve	1
43	. . Bushing - Body	2
44	. . Tube - Collector inlet	1
45	Absorber - Fuel	1
46	Collector Assy - Fuel	1

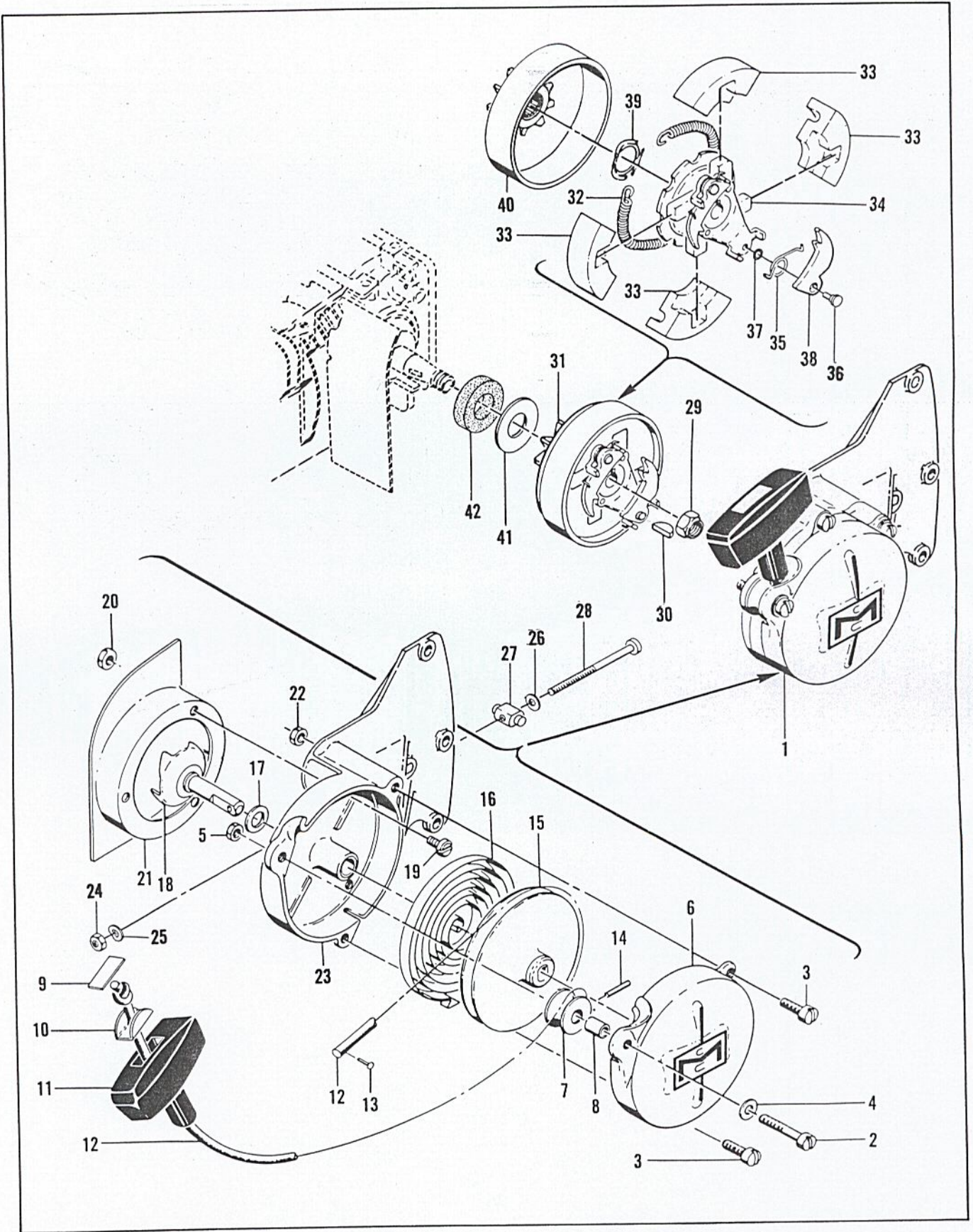


Figure 4. Starter and Clutch Assembly

FIGURE 4. STARTER AND CLUTCH ASSEMBLY

Item No.	Description	Units Per Assy
1	Starter Assy	1
2	. Screw - Fil hd 10-24 x 1-1/8	1
3	. Screw - Fil hd 10-24 x 3/4	2
4	. Washer	1
5	. Nut - Hex 10-24	2
6	. Cover - Starter	1
7	. Pulley - Starter rope	1
8	. Bearing - Pulley	1
9	. Plate - Starter handle	1
10	. Cup - Starter handle	1
11	. Handle - Starter	1
12	. Rope - Starter	1
13	. Rivet	1
14	. Pin - Roll	1
15	. Drum - Starter	1
16	. Spring - Starter rewind	1
17	. Washer	1
18	. Shaft Assy - Starter	1
19	. Screw - Pan hd 8-32 x 5/16	3
20	. Nut - Hex 8-32	3
21	. Cover - Sawdust shield	1
22	. Nut - Hex 10-24	2

Item No.	Description	Units Per Assy
23	. Starter Base Assy	1
24	. Nut - Hex 1/4-28	1
25	. Washer - Spring	1
26	. Washer - 1/4	1
27	. Nut - Bar adjustment	1
28	. Screw - 1/4-20 x 3-5/8	1
29	Nut - Flexloc	1
30	Key - Woodruff	1
31	Clutch Assy	1
32	. Spring - Shoe retaining	1
33	. Shoe - Clutch	4
34	. Rotor Assy - Clutch	1
35	. . Spring - Pawl	2
36	. . Pin - Special	2
37	. . Spacer - Pawl	2
38	. . Pawl - Clutch	2
39	Spring - Thrust	1
40	Sprocket, Clutch and Drum Assy (See Figure 5)	1
41	Washer - Inner sprocket	1
42	Seal - Felt sprocket	1

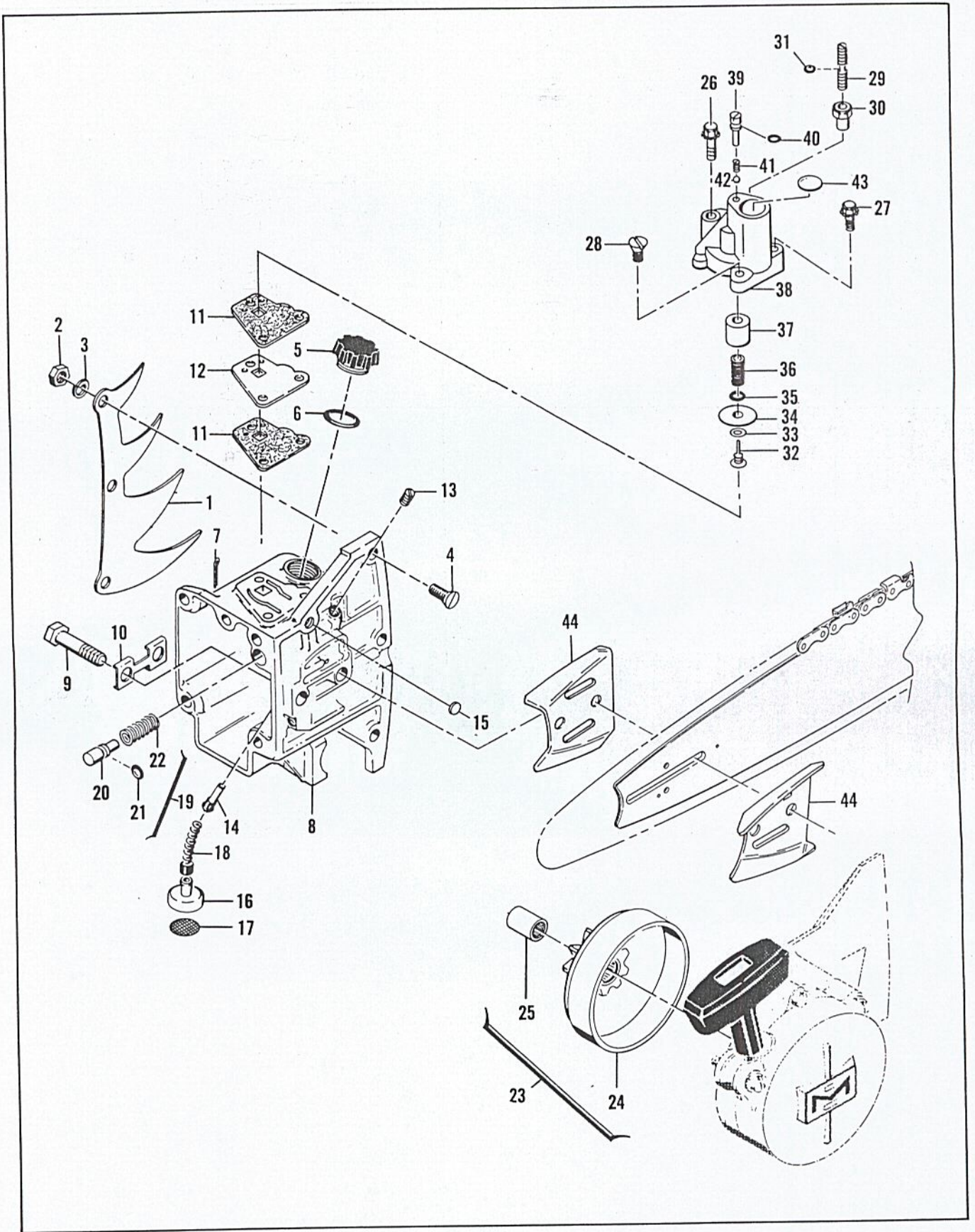


Figure 5. Chain Oiler Assemblies

FIGURE 5. CHAIN OILER ASSEMBLIES

Item No.	Description	Units Per Assy
1	Kit - Spike 4-tooth	1
2	. Nut - Hex 1/4-20	3
3	. Lockwasher	3
4	. Screw - Flat hd 1/4-20 x 3/4	3
5	Cap - Oiler tank	1
6	"O" Ring - Oiler tank cap	1
7	Pin - Cotter	1
8	Housing Assy - Oiler	1
9	. Bolt - Bar mounting	2
10	. Plate - Lock	1
11	. Gasket - Oil pump	2
12	. Spacer - Pump body	1
13	. Plug - Pipe 1/16-27	1
14	. Check Valve Assy - Oiler	1
15	. Plug - Expansion 3/8 in	1
16	Weight Assy - Oil line hose	1
17	. Screen - Oil intake	1
18	Hose - Flexible	1
19	Piston Assy - Oiler	1
20	. Piston - Oiler	1
21	. "O" Ring - Oiler piston	1
22	Spring - Oiler	1
23	Sprocket, Clutch Drum and Bearing Assy (7 tooth - .404 pitch)	1

Item No.	Description	Units Per Assy
24	. Drum and Sprocket Assy	1
25	. Bearing - Needle	1
26	Screw - Hex hd 10-24 x 1-3/4 (SEMS)	1
27	Screw - Hex hd 10-24 x 7/8 (SEMS)	1
28	Screw - Fl hd 10-24 x 3/4	1
	Pump Assy - Pulse	1
29	. Screw - Set 10-24 x 1-1/4	1
30	. Locknut - 10-24	1
31	. "O" Ring	1
32	. Piston Assy	1
33	. Washer	1
34	. Ring - Piston	1
35	. "O" Ring - Piston	1
36	. Spring - Piston	1
37	. Sleeve - Piston	1
38	. Body Assy - Pulse pump	1
39	. . Screw - Fil hd	1
40	. . Washer	1
41	. . Spring - Ball check	1
42	. . Ball - Steel .093 dia	1
43	. . Plug - Expansion 5/8 in	1
44	Plate - Bar protector	2

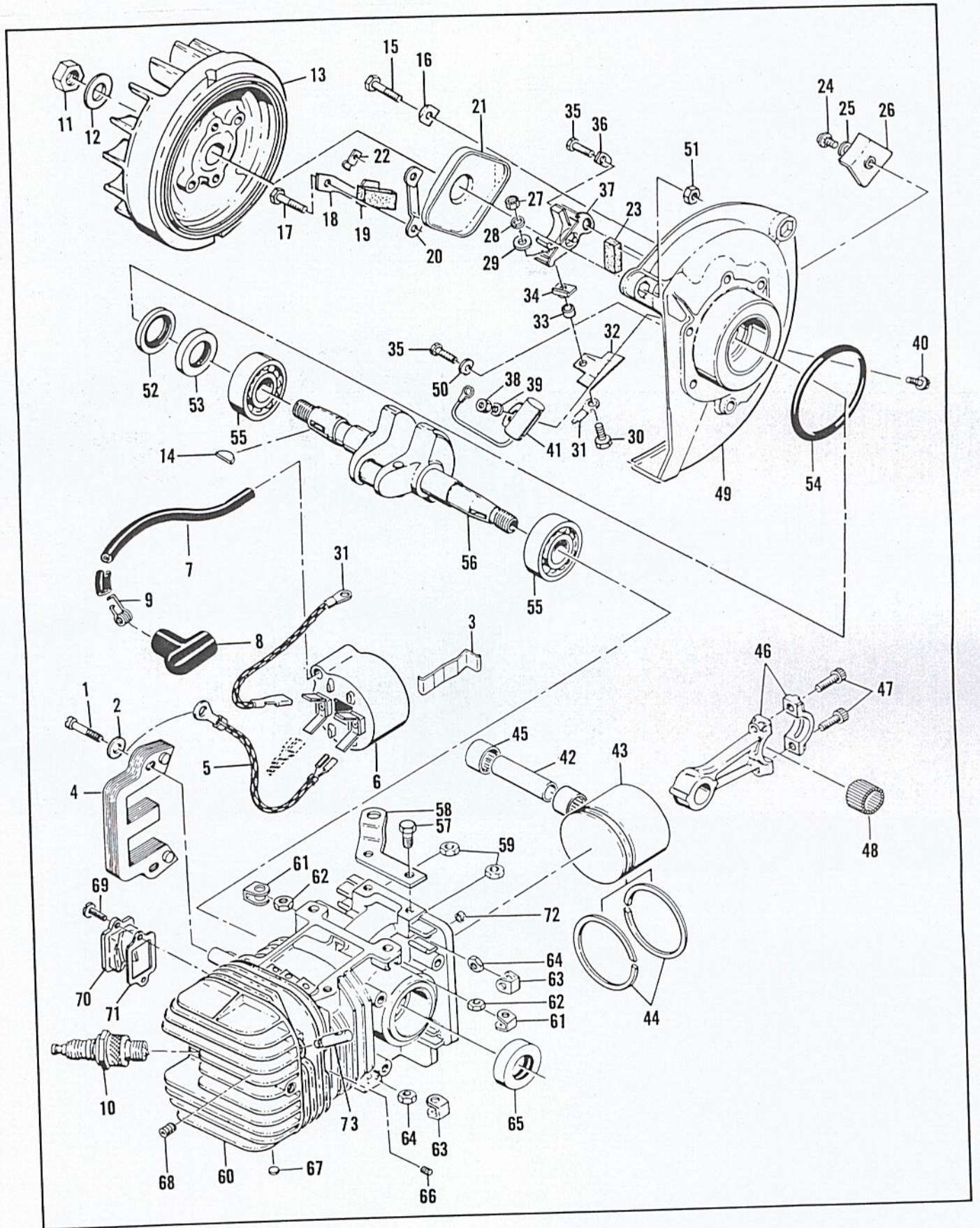


Figure 6. Powerhead Assembly

FIGURE 6. POWERHEAD ASSEMBLY

Item No.	Description	Units Per Assy
1	Screw - Hex hd 10-24 x 7/8	2
2	Washer #10	2
3	Retainer - Coil	1
4	Lamination Assy - Coil	1
5	Wire Assy - Ground	1
6	Coil and Terminal Assy	1
7	. Wire Assy - Spark Plug	1
8	. . Boot - Spark Plug	1
9	. . Connector - Spark plug wire	1
10	Spark Plug - AC CS 45T	1
11	Nut - Hex 7/16	1
12	Washer - Special	1
13	Flywheel Assy	1
14	Key - Woodruff	1
15	Screw - Hex hd 10-24 x 3/4	2
16	Lockplate	1
17	Screw - Hex hd 10-24 x 3/4	4
18	Strap - Seal	1
19	Seal - Breaker box drain	1
20	Clip - Breaker box cover	2
21	Cover - Breaker box	1
22	Speednut	1
23	Wiper - Felt	1
24	Screw - 8-32 x 3/8 (SEMS)	1
25	Washer #8	1
26	Clamp - Ignition wire	1
27	Nut - Hex 8-32	1
28	Lockwasher	1
29	Washer #8	1
30	Screw - Hex hd 8-32 x 9/16	1
31	Wire Assy - Primary	1
32	Insulator - Primary wire assy	1
33	Insulator - Ignition screw	1
34	Insulator - Breaker spring	1
35	Screw - 8-32 x 1/2 (SEMS)	2
36	Lockplate	1
37	Breaker Assy	1

Item No.	Description	Units Per Assy
38	Nut - Hex 8-32	1
39	Lockwasher #8	1
40	Screw - 8-32 x 1/2 (SEMS)	1
41	Condenser	1
42	Pin - Piston	1
43	Piston Assy	1
44	. Ring Set - Piston	1
45	. Bearing - Needle	2
46	Connecting Rod Assy	1
47	. Screw - Socket hd 10-32 x 5/8	2
48	. Roller - Needle	24
49	Crankcase Cover Assy	1
50	. Washer - Breaker retainer	1
51	. Nut - Hex 10-24	2
52	. Seal - Oil	1
53	. Seal - Oil	1
54	"O" Ring	1
55	Bearing - Ball	2
56	Crankshaft	1
57	Screw - Hex hd 10-24 x 1/2	2
58	Bracket - Fuel tank mounting	1
59	Nut - Hex 10-24	2
60	Cylinder Assy - Crankcase	1
61	. Retainer - Nut	2
62	. Nut - Hex 10-24	2
63	. Retainer - Nut	6
64	. Nut - Hex 1/4-20	6
65	. Seal - Oil	1
66	. Insert - Taplok	3
67	. Plug - Expansion 1/2 in.	3
68	. Plug - Pipe 1/16-27	1
69	Screw - 8-32 x 7/16	2
70	Cover - Boost port	1
71	Gasket - Port Cover	1
72	Seal - Pushrod	1
73	Valve - Compression release	1

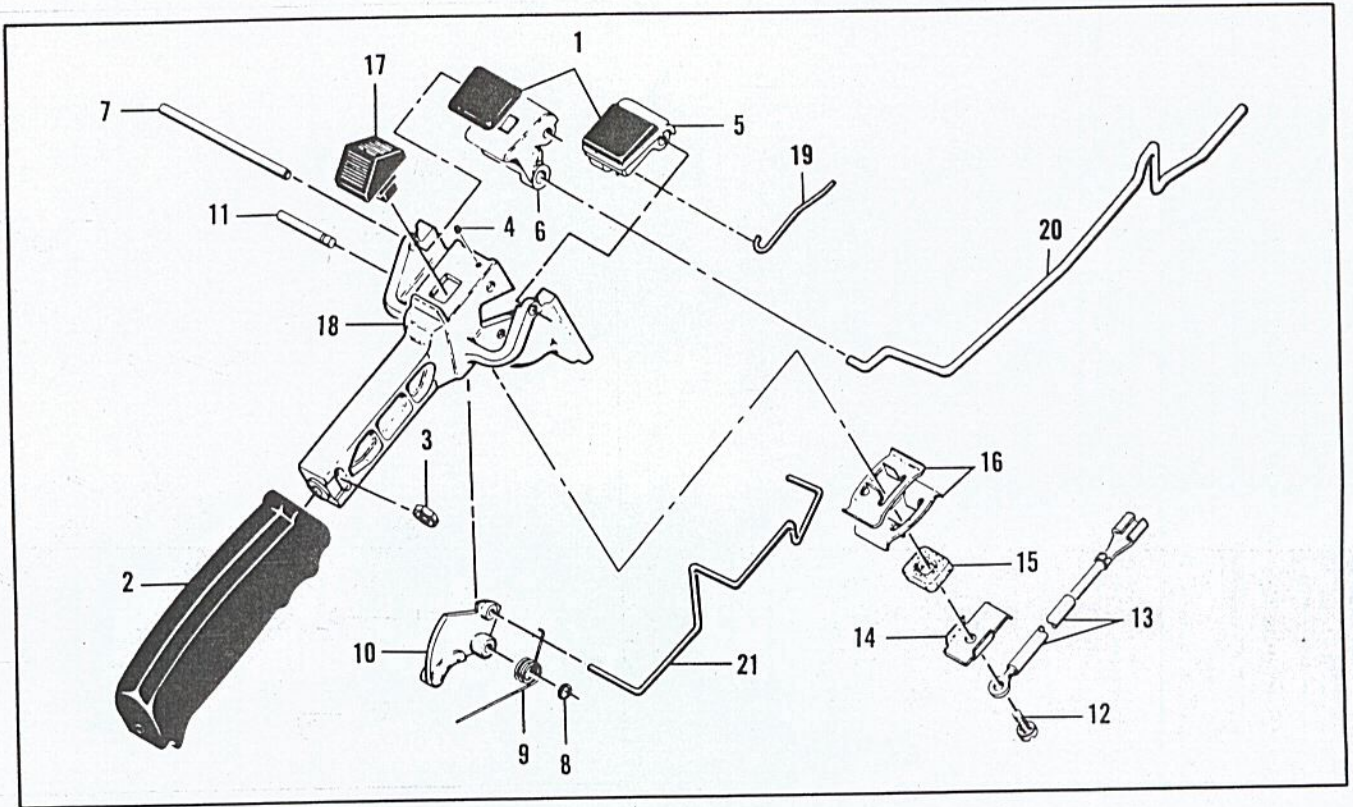


Figure 7. Handle and Control Assembly

FIGURE 7. HANDLE AND CONTROL ASSEMBLY

Item No.	Description	Units Per Assy
1	Grommet	2
	Handle and Control Assy	1
2	. Grip - Handle	1
3	. Nut - Hex 10-24	1
4	. Screw - Set 8-32 x 1/4	1
5	. Button - Primer control	1
6	. Button - Oiler control	1
7	. Shaft - Primer and oiler buttons	1
8	. Retainer - Trigger pin	1
9	. Spring - Trigger return	1
10	. Trigger	1

Item No.	Description	Units Per Assy
11	. Pin - Trigger	1
12	. Screw - Fil hd 8-32 x 1/2 (SEMS)	1
13	. Wire Assy - Stop switch	1
14	. Contact - Switch	1
15	. Insulator - Switch	1
16	. Detent - Switch	2
17	. Button - Switch	1
18	. Handle	1
19	Pushrod - Primer	1
20	Pushrod - Oiler	1
21	Pushrod - Throttle	1

ACCESSORIES

Item No.	Description
1	Owner's Manual of Operating Instructions
2	Wrench and Screwdriver Combination
3	Wrench - Spark arrester
4	Piston Assy - 2.290
5	. Ring Set - 2.290
6	Piston Assy - 2.300
7	. Ring Set - 2.300
8	Piston Assy - 2.310
9	. Ring Set - 2.310

Item No.	Description
10	Wrench - spark plug
11	Spark arrester - half quiet
12	Spark arrester - full quiet
13	Spkt, Drum, Bearing Assy 7/16 in. 7 tooth
14	Spkt, Drum, Bearing Assy 1/2 in. 6 tooth
15	Set - Bar plates (Slimline bars)
16	Timing Guide
17	Spark plug - AC CS 42T

Figure and Item numbers are referenced to the Illustrated Parts List, P/N 66267 unless otherwise indicated on this parts list sheet. Numbers in black circles refer to notes at the bottom of the page. Numbers in parenthesis following the part number indicate a quantity change from the illustrated parts list.

FIG. & ITEM	PART NUMBER	NOMENCLATURE	FIG. & ITEM	PART NUMBER	NOMENCLATURE	FIG. & ITEM	PART NUMBER	NOMENCLATURE
1-1	102761	Screw	2-3	103741	Speednut	3-8	101056	"O" Ring
1-2	100239	Nut	2-4	66849	Nameplate	3-9	59480	Seat
1-3	103923	Clamp	2-5	63814	Plate	3-10	100302	Ball
1-4	102125	Screw	2-6	55498	Screen	3-11	28754	Spring
1-5	105394	Nut	2-7	55659	Grill	3-12	104520	Screw
1-6	50062	Insulator	2-8	104396	Screw	3-13	48898	Body
1-7	100950	Washer	2-9	55634	Anchor	3-14	57277A	Filter
1-8	60231A	Frame	2-10	63669	Hose	3-15	66442	Diaphragm
1-9	104393	Screw	2-11	53679B	Pickup	3-16	48901	Plate
1-10	101191	Nut	2-12	61159	Filter	3-17	55067C	Diaphragm
1-11	55606B	Mount	2-13	Fig. Reference		3-18	53948	Needle
1-12	55637	Brace	2-14	55934B	Cap	3-19	53311	Needle
1-13	102761	Screw	2-15	55063	Filter	3-20	104001	"O" Ring
1-14	102189	Washer	2-16	53766A	Valve	3-21	104814	Screw
1-15	102067	Nut	2-17	101348	"O" Ring	3-22	61360	Plate
1-16	102121	Screw	2-18	104396	Screw	3-23	110055	Screw
1-17	100005	Washer	2-19	63667	Cover	3-24	55082	Clip
1-18	104397	Screw	2-20	65632	Gasket	3-25	61854A	Shaft
1-19	104483	Screw	2-21	63650	Liner	3-26	61858	Spring
1-20	55941	Insert	2-22	102151	Screw	3-27	62910	Screw
1-21	57872	Brace	2-23	105043	Lockwasher	3-28	61108	Guide
1-22	Fig. Reference		2-24	55948A	Screw	3-29	104164	Screw
1-23	51351	Screw	2-25	58376	Lockplate	3-30	104305	Pin
1-24	100005	Washer	2-26	55636	Washer	3-31	55688	Lever
1-25	103741	Speednut	2-27	102189	Washer	3-32	57172	Spring
1-26	55885	Pin	2-28	103744	Washer	3-33	60163A	Valve Set
1-27	66259	Shroud	2-29	103740	Screw	3-34	63038	Needle
1-28	Fig. Reference		2-30	51480	Lockplate	3-35	58969	Body
1-29	65625	Gasket	2-31	66274	Deflector	3-36	55689	Washer
1-30	53684A	Insulator	2-32	66273	Valve	3-37	61364A	Body Assy
1-31	102500	Screw	2-33	53685C	Plate	3-38	110179	Plug
1-32	104816	Screw	2-34	65657	Gasket	3-39	104407	Plug
1-33	101191	Nut	2-35	102388	Screw	3-40	61155	Set
1-34	57733	Housing	2-36	102189	Washer	3-41	61152	Seat
1-35	55615	Guard	2-37	55636	Washer	3-42	61151	Ball
1-36	103729	Nut	2-38	63652	Shield	3-43	55062A	Bushing
1-37	100006	Washer	2-39	66266	Fuel tank	3-44	47523	Tube
1-38	Fig. Reference		2-40	104504	Rivet	3-45	58865	Absorber
1-39	Fig. Reference		2-41	101871	Washer	3-46	63651	Collector
1-40	53480	Spark Arr	2-42	51396A	Cover			
1-41	104895	Screw	2-43	104310	Pin	4-1	63645	Starter
1-42	53652	Gasket	2-44	60237	Grommet	4-2	101284	Screw
1-43	53651	Washer	2-45	110054	Screw	4-3	103859	Screw
1-44	104133	Screw	2-46	105249	Screw	4-4	102189	Washer
1-45	51990A	Shield	2-47	64582	Retainer	4-5	101191	Nut
1-46	55255	Jacket	2-48	63619	Plate	4-6	55024B	Cover
1-47	103258	Screw	2-49	63914A	Lever	4-7	51138	Pulley
1-48	102127	Screw	2-50	63827	Spring	4-8	103536	Bearing
1-49	100005	Washer	2-51	66269	Emblem	4-9	57232	Plate
1-50	Fig. Reference					4-10	57231	Cup
1-51	60251A	Cover	3-1	100882	Screw	4-11	57230	Handle
1-52	65578	Gasket	3-2	101476	Nut	4-12	28716	Rope
1-53	60252	Gasket	3-3	103242	Lockwasher	4-13	101136	Rivet
1-54	Fig. Reference		3-4	65586	Gasket	4-14	103047	Pin
1-55	59445	Decal	3-	66531	Carburetor	4-15	55871	Drum
			3-5	110054	Screw	4-16	51665	Spring
2-1	60427A	Cover	3-6	53440	Bracket	4-17	104457	Washer
2-2	60243	Knob	3-7	53449	Primer	4-18	51923	Shaft

Continued

FIG. & ITEM	PART NUMBER	NOMENCLATURE	FIG. & ITEM	PART NUMBER	NOMENCLATURE	FIG. & ITEM	PART NUMBER	NOMENCLATURE
4-19	104071	Screw	5-33	60937	Washer	6-46	66049	Conn Rod
4-20	100955	Nut	5-34	60263	Ring	6-47	47819A	Screw
4-21	63646	Cover	5-35	101758	"O" Ring	6-48	102742	Roller
4-22	101326	Nut	5-36	60259	Spring	6-49	47816A	Crankcase
4-23	57660A	Starter	5-37	60258A	Sleeve	6-50	55778E	Washer
4-24	100640	Nut	5-38	60254D	Body	6-51	101326	Nut
4-25	102813	Washer	5-39	60397A	Screw	6-52	57897	Seal
4-26	100005	Washer	5-40	60398B	Washer	6-53	57898	Seal
4-27	52207C	Nut	5-41	60396B	Spring	6-54	104523	"O" Ring
4-28	104548	Screw	5-42	102809	Ball	6-55	66016	Bearing
4-29	103746	Nut	5-43	110157	Plug	6-56	66010	Crankshaft
4-30	103879	Key	5-44	64935	Plate	6-57	102762	Screw
4-31	51470E	Clutch				6-58	53271	Bracket
4-32	51468A	Spring				6-59	101326	Nut
4-33	51464A	Shoe	6-1	104815	Screw	6-60	66251	Crankcase
4-34	52175B	Rotor	6-2	100352	Washer	6-61	28053	Retainer
4-35	51910B	Spring	6-3	63634	Retainer	6-62	101326	Nut
4-36	60730	Pin	6-4	51251	Lamination	6-63	18556A	Retainer
4-37	60731	Spacer	6-5	63639	Wire	6-64	105394	Nut
4-38	60729A	Pawl	6-6	63637	Coil	6-65	104432	Seal
4-39	103718	Spring	6-7	63640	Wire	6-66	110034	Insert
4-40	Fig. Reference		6-8	62926	Boot	6-67	110340	Plug
4-41	51420	Washer	6-8	62926	Boot	6-68	104869	Plug
4-42	57785A	Seal	6-9	62932	Connector	6-69	110196	Screw
			6-10	63097	Spark Plug	6-70	65917	Cover
			6-11	101179	Nut	6-71	65916	Gasket
			6-12	101270	Washer	6-72	57736	Seal
			6-13	65765	Flywheel	6-73	63615	Valve
			6-14	103879	Key			
			6-15	102763	Screw			
			6-16	36388	Lockplate			
			6-17	102763	Screw	7-1	55670	Grommet
			6-18	57815	Strap		64860	Handle
			6-19	50664	Seal	7-2	55624A	Grip
			6-20	55977	Clip	7-3	101326	Nut
			6-21	55766B	Cover	7-4	104484	Screw
			6-22	104230	Speednut	7-5	55968A	Button
			6-23	54184	Wiper	7-6	55969A	Button
			6-24	110055	Screw	7-7	51344A	Shaft
			6-25	100080	Washer	7-8	104501	Retainer
			6-26	57829	Clamp	7-9	55674	Spring
			6-27	104551	Nut	7-10	63663	Trigger
			6-28	104553	Lockwasher	7-11	50507	Pin
			6-29	100080	Washer	7-12	103672	Screw
			6-30	110338	Screw	7-13	63662	Wire
			6-31	63628	Wire	7-14	51279	Contact
			6-32	55782A	Insulator	7-15	51555	Insulator
			6-33	57769	Insulator	7-16	51554A	Detent
			6-34	57770A	Insulator	7-17	57718	Button
			6-35	104733	Screw	7-18	55986	Handle
			6-36	57767A	Lockplate	7-19	53583A	Pushrod
			6-37	57765B	Breaker	7-20	51857B	Pushrod
			6-38	100251	Nut	7-21	63665	Pushrod
			6-39	100057	Lockwasher			
			6-40	104733	Screw			
			6-41	50074	Condenser			
			6-42	66034	Pin			
			6-43	66051	Piston			
			6-44	47865	Ring Set			
			6-45	110107	Bearing			

Continued

FIG. & ITEM	PART NUMBER	NOMENCLATURE	FIG. & ITEM	PART NUMBER	NOMENCLATURE	FIG. & ITEM	PART NUMBER	NOMENCLATURE
<i>ACCESSORY ITEMS</i>								
1	67004	Manual						
2	61040	Wrench						
3	101522	Wrench						
4	66046	Piston Assy						
5	66048	Ring Set						
6	66036	Piston Assy						
7	66047	Ring Set						
8	66044	Piston Assy						
9	66045	Ring Set						
10	64797	Wrench						
11	63173	Spark Arr						
12	63174	Spark Arr						
13	51178B	Sprocket						
14	51793B	Sprocket						
15	65149	Plate set						
16	65712	Timing Guide						
17	63432	Spark plug						



McCULLOCH CORPORATION
6101 WEST CENTURY BLVD., LOS ANGELES, CALIFORNIA 90045

66100

McCULLOCH OF CANADA, LTD.
77 BELFIELD ROAD, REXDALE, ONTARIO, CANADA

McCULLOCH INTERNATIONAL, INC.
POSTBUS 10, MALINES, BELGIUM
G.P.O. BOX 879, HONG KONG, B.C.C.

McCULLOCH OF AUSTRALIA PTY., LTD.
P.O. BOX 165, SOUTH GRANVILLE, N.S.W., AUSTRALIA

McCULLOCH INTERNATIONAL (U.S.), INC.
P.O. BOX 45466 LOS ANGELES, CALIFORNIA, U.S.A.

This Part Number List should be used with Illustrated Parts List #66267 when ordering parts for chain saws of this serial number group.

Model 797 Chain Saw

SERIAL NUMBERS WITHOUT PREFIX

PART NUMBER LIST

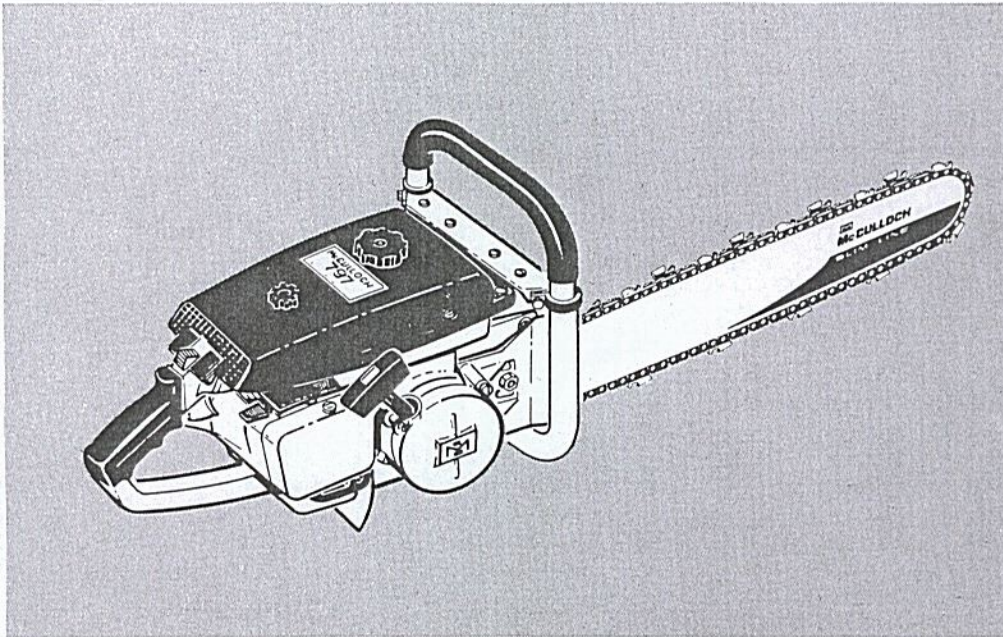


Figure and Item Numbers are the same as shown in the Illustrated Parts List unless noted otherwise on the pages that follow. Numbers in black circles refer to notes at the end of the list. Numbers in parenthesis following the part number indicate a quantity change from the Illustrated Parts List.

This Part Number List is number 1 of the lists issued for the above chain saw model. If you are missing any of these lists, order them from your distributor. Keep each list handy with its proper illustrated parts list to help identify and make ordering of service parts easier.

 **McCULLOCH**

FIG. & ITEM	PART NUMBER	NOMENCLATURE	FIG. & ITEM	PART NUMBER	NOMENCLATURE	FIG. & ITEM	PART NUMBER	NOMENCLATURE
			1-34	57733	Housing	2-36	102189	Washer
			1-35	55615	Guard	2-37	55636	Washer
			1-36	103729	Nut	2-38	63652	Shield
			1-37	100006	Washer	2-39	66266	Fuel tank
			1-38		Fig. Reference	2-40	104504	Rivet
			1-39		Fig. Reference	2-41	101871	Washer
			1-40	53480	Spark Arr	2-42	51396A	Cover
			1-41	104895	Screw	2-43	104310	Pin
			1-42	53652	Gasket	2-44	60237	Grommet
			1-43	53651	Washer	2-45	110054	Screw
			1-44	104133	Screw	2-46	105249	Screw
			1-45	51990A	Shield	2-47	64582	Retainer
			1-46	55255	Jacket	2-48	63619	Plate
			1-47	103258	Screw	2-49	63914A	Lever
			1-48	102127	Screw	2-50	63827	Spring
			1-49	100005	Washer	2-51	66269	Emblem
			1-50		Fig. Reference			
			1-51	67253	Cover	3-1	100882	Screw
			1-52	65578	Gasket	3-2	101476	Lockwasher
			1-53	60252	Gasket	3-3	103242	Nut
			1-54		Fig. Reference	3-4	65586	Gasket
			1-55	59445	Decal	3-	66531	Carburetor
						3-5	110054	Screw
			2-1	60427A	Cover	3-6	53440	Bracket
			2-2	60243	Knob	3-7	53449	Primer
			2-3	103741	Speednut	3-8	101056	"O" Ring
			2-4	66849	Nameplate	3-9	59480	Seat
			2-5	63814	Plate	3-10	100302	Ball
			2-6	63453	Screen	3-11	28754	Spring
			2-7	55659	Grill	3-12	104520	Screw
			2-8	104396	Screw	3-13	48898	Body
			2-9	55634	Anchor	3-14	57277A	Filter
			2-10	63669	Hose	3-15	66442	Diaphragm
			2-11	53679B	Pickup	3-16	48901	Plate
			2-12	61159	Filter	3-17	55067C	Diaphragm
			2-13		Fig. Reference	3-18	53948	Needle
			2-14	55934B	Cap	3-19	53311	Needle
			2-15	55063	Filter	3-20	104001	"O" Ring
			2-16	53766A	Valve	3-21	104814	Screw
			2-17	101348	"O" Ring	3-22	61360	Plate
			2-18	104396	Screw	3-23	110055	Screw
			2-19	63667	Cover	3-24	55082	Clip
			2-20	65632	Gasket	3-25	61854A	Shaft
			2-21	63650	Liner	3-26	61858	Spring
			2-22	102151	Screw	3-27	62910	Screw
			2-23	105043	Lockwasher	3-28	61108	Guide
			2-24	55948A	Screw	3-29	104164	Screw
			2-25	58376	Lockplate	3-30	104305	Pin
			2-26	55636	Washer	3-31	55688	Lever
			2-27	102189	Washer	3-32	57172	Spring
			2-28	103744	Washer	3-33	60163A	Valve Set
			2-29	103740	Screw	3-34	63038	Needle
			2-30	51480	Lockplate	3-35	58969	Body
			2-31	66274	Deflector	3-36	55689	Washer
			2-32	48593	Valve	3-37	61364A	Body Assy
			2-33	53685C	Plate	3-38	110179	Plug
			2-34	67096	Gasket	3-39	104407	Plug
			2-35	102388	Screw			<i>Continued</i>

① Part Number List 67261 supersedes and cancels Parts List Sheet Number 66268. Discard all Sheet Number 66268.

② Washers (2) are not required.

③ Clamp and spacers for mounting the frame and grip assembly. See changes to Figure 1 on this page.

FIG. & ITEM	PART NUMBER	NOMENCLATURE	FIG. & ITEM	PART NUMBER	NOMENCLATURE	FIG. & ITEM	PART NUMBER	NOMENCLATURE
3-40	61155	Set	5-15	105677	Plug	6-35	104733	Screw
3-41	61152	Seat	5-16	51505	Weight	6-36	57767A	Lockplate
3-42	61151	Ball	5-17	51506	Screen	6-37	57765B	Breaker
3-43	55062A	Bushing	5-18	28007	Hose	6-38	100251	Nut
3-44	47523	Tube	5-19	63642	Piston Assy	6-39	100057	Lockwasher
3-45	58865	Absorber	5-20	63643	Piston	6-40	104733	Screw
3-46	63651	Collector	5-21	103198	"O" Ring	6-41	50074	Condenser
			5-22	51946	Spring	6-42	66034	Pin
4-1	63645	Starter	5-23	51774B	Sprocket	6-43	67089	Piston
4-2	101284	Screw	5-24	51775C	Drum	6-44	47865	Ring Set
4-3	103859	Screw	5-25	103688	Bearing	6-45	110107	Bearing
4-4	102189	Washer	5-26	110257	Screw	6-46	66049	Conn Rod
4-5	101191	Nut	5-27	104138	Screw	6-47	47819A	Screw
4-6	55024B	Cover	5-28	110245	Screw	6-48	102742	Roller
4-7	51138	Pulley	5-	60253D	Pump Assy	6-49	47816A	Crankcase
4-8	103536	Bearing	5-29	62890	Screw	6-50	55778E	Washer
4-9	57232	Plate	5-30	60976	Locknut	6-51	101326	Nut
4-10	57231	Cup	5-31	104001	"O" Ring	6-52	57897	Seal
4-11	57230	Handle	5-32	60260A	Piston Assy	6-53	57898	Seal
4-12	28716	Rope	5-33	60937	Washer	6-54	104523	"O" Ring
4-13	101136	Rivet	5-34	60263	Ring	6-55	66016	Bearing
4-14	103047	Pin	5-35	101758	"O" Ring	6-56	66010	Crankshaft
4-15	55871	Drum	5-36	60259	Spring	6-57	102762	Screw
4-16	51665	Spring	5-37	60258A	Sleeve	6-58	53271	Bracket
4-17	104457	Washer	5-38	60254D	Body	6-59	101326	Nut
4-18	51923	Shaft	5-39	60397A	Screw	6-60	66251	Crankcase
4-19	104071	Screw	5-40	60398B	Washer	6-61	28053	Retainer
4-20	100955	Nut	5-41	60396B	Spring	6-62	101326	Nut
4-21	63646	Cover	5-42	102809	Ball	6-63	18556A	Retainer
4-22	101326	Nut	5-43	110157	Plug	6-64	105394	Nut
4-23	57660A	Starter	5-44	64935	Plate	6-65	104432	Seal
4-24	100640	Nut				6-66	110034	Insert
4-25	102813	Washer	6-1	104815	Screw	6-67	110340	Plug
4-26	100005	Washer	6-2	100352	Washer	6-68	104869	Plug
4-27	52207C	Nut	6-3	63634	Retainer	6-69	110196	Screw
4-28	104548	Screw	6-4	51251	Lamination	6-70	65917	Cover
4-29	103746	Nut	6-5	63639	Wire	6-71	65916	Gasket
4-30	103879	Key	6-6	63637	Coil	6-72	57736	Seal
4-31	51470E	Clutch	6-7	63640	Wire	6-73	63615	Valve
4-32	51468A	Spring	6-8	62926	Boot			
4-33	51464A	Shoe	6-9	62932	Connector	7-1	55670	Grommet
4-34	52175B	Rotor	6-10	63097	Spark Plug		64860	Handle
4-35	51910B	Spring	6-11	101179	Nut	7-2	55624A	Grip
4-36	60730	Pin	6-12	101270	Washer	7-3	101326	Nut
4-37	60731	Spacer	6-13	65765	Flywheel	7-4	104484	Screw
4-38	60729A	Pawl	6-14	103879	Key	7-5	55968A	Button
4-39	103718	Spring	6-15	102763	Screw	7-6	55969A	Button
4-40	Fig. Reference		6-16	36388	Lockplate	7-7	51344A	Shaft
4-41	51420	Washer	6-17	102763	Screw	7-8	104501	Retainer
4-42	57785A	Seal	6-18	57815	Strap	7-9	55674	Spring
			6-19	50664	Seal	7-10	63663	Trigger
			6-20	55977	Clip	7-11	50507	Pin
5-1	61331	Kit	6-21	55766B	Cover	7-12	103672	Screw
5-2	100152	Nut	6-22	104230	Speednut	7-13	63662	Wire
5-3	100153	Lockwasher	6-23	54184	Wiper	7-14	51279	Contact
5-4	102088	Screw	6-24	110055	Screw	7-15	51555	Insulator
5-5	57129A	Cap	6-25	100080	Washer	7-16	51554A	Detent
5-6	101148	"O" Ring	6-26	57829	Clamp	7-17	57718	Button
5-7	104062	Pin	6-27	104551	Nut	7-18	55986	Handle
5-8	63060	Housing	6-28	104553	Lockwasher	7-19	53583A	Pushrod
5-9	51423B	Bolt	6-29	100080	Washer	7-20	51857B	Pushrod
5-10	51439	Plate	6-30	110338	Screw	7-21	63665	Pushrod
5-11	61473	Gasket	6-31	63628	Wire			
5-12	67471	Spacer	6-32	55782A	Insulator			
5-13	104869	Plug	6-33	57769	Insulator			
5-14	51982A	Valve	6-34	57770A	Insulator			

Continued

FIG. & ITEM	PART NUMBER	NOMENCLATURE	FIG. & ITEM	PART NUMBER	NOMENCLATURE	FIG. & ITEM	PART NUMBER	NOMENCLATURE
<i>ACCESSORY ITEMS</i>								
1	67004	Manual						
2	61040	Wrench						
3	101522	Wrench						
4	67091	Piston Assy						
5	66048	Ring Set						
6	67092	Piston Assy						
7	66047	Ring Set						
8	67093	Piston Assy						
9	66045	Ring Set						
10	64797	Wrench						
11	63173	Spark Arr						
12	63174	Spark Arr						
13	51178B	Sprocket						
14	51793B	Sprocket						
15	65149	Plate set						
16	65712	Timing Guide						
17	63432	Spark plug						



McCULLOCH CORPORATION
6101 WEST CENTURY BLVD., LOS ANGELES, CALIFORNIA 90045

McCULLOCH OF CANADA, LTD.
77 BELFIELD ROAD, REXDALE, ONTARIO, CANADA

McCULLOCH INTERNATIONAL, INC.
ARKSTRAAT 5, MECHELEN, BELGIUM
G.P.O. BOX 879, HONG KONG, B.C.C.

McCULLOCH OF AUSTRALIA PTY., LTD.
P.O. BOX 165, SOUTH GRANVILLE, N.S.W., AUSTRALIA

McCULLOCH INTERNATIONAL (U.S.), INC.
P.O. BOX 45466 LOS ANGELES, CALIFORNIA, U.S.A.

This Part Number List should be used with Illustrated Parts List #66267 when ordering parts for chain saws of this serial number group.

Model 797 Chain Saw

Serial Numbers Prefixed 10-

PART NUMBER LIST

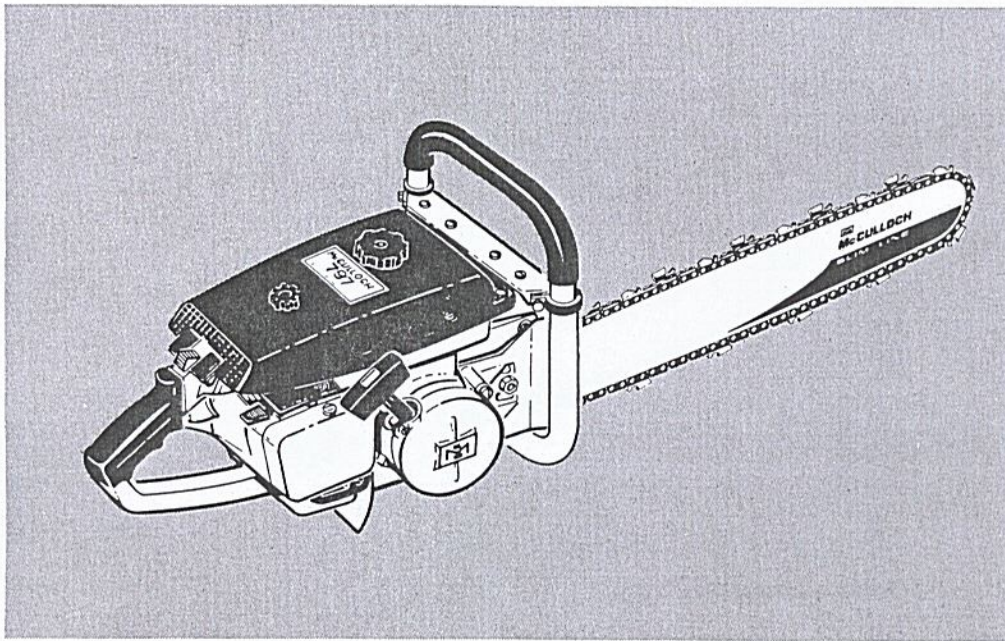


Figure and Item Numbers are the same as shown in the Illustrated Parts List unless noted otherwise on the pages that follow. Numbers in black circles refer to notes at the end of the list. Numbers in parenthesis following the part number indicate a quantity change from the Illustrated Parts List.

This Part Number List is number 2 of the lists issued for the above chain saw model. If you are missing any of these lists, order them from your distributor. Keep each list handy with its proper illustrated parts list to help identify and make ordering of service parts easier.

 **McCULLOCH**

#67856

FIG. & ITEM	PART NUMBER	NOMENCLATURE	FIG. & PART NUMBER	NOMENCLATURE	FIG. & PART NUMBER	NOMENCLATURE																																																																																																																																																																																																																
			1-34	57733	Housing	2-36	102189	Washer																																																																																																																																																																																																														
			1-35	55615	Guard	2-37	55636	Washer																																																																																																																																																																																																														
			1-36	103729	Nut	2-38	63652	Shield																																																																																																																																																																																																														
			1-37	100006	Washer	2-39	66266	Fuel tank																																																																																																																																																																																																														
			1-38	Fig. Reference		2-40	104504	Rivet																																																																																																																																																																																																														
			1-39	Fig. Reference		2-41	101871	Washer																																																																																																																																																																																																														
			1-40	53480	Spark Arr	2-42	51396A	Cover																																																																																																																																																																																																														
			1-41	104895	Screw	2-43	104310	Pin																																																																																																																																																																																																														
			1-42	53652	Gasket	2-44	60237	Grommet																																																																																																																																																																																																														
			1-43	53651	Washer	2-45	110054	Screw																																																																																																																																																																																																														
			1-44	104133	Screw	2-46	105249	Screw																																																																																																																																																																																																														
			1-45	51990A	Shield	2-47	64582	Retainer																																																																																																																																																																																																														
			1-46	55255	Jacket	2-48	63619	Plate																																																																																																																																																																																																														
			1-47	103258	Screw	2-49	63914A	Lever																																																																																																																																																																																																														
			1-48	102127	Screw	2-50	63827	Spring																																																																																																																																																																																																														
			1-49	100005	Washer	2-51	66269	Emblem																																																																																																																																																																																																														
			1-50	Fig. Reference																																																																																																																																																																																																																		
			1-51	67253	Cover	3-1	100882	Screw																																																																																																																																																																																																														
			1-52	65578	Gasket	3-2	101476	Lockwasher																																																																																																																																																																																																														
			1-53	60252	Gasket	3-3	103242	Nut																																																																																																																																																																																																														
			1-54	Fig. Reference		3-4	65586	Gasket																																																																																																																																																																																																														
			1-55	59445	Decal	3-	66531	Carburetor																																																																																																																																																																																																														
						3-5	110054	Screw																																																																																																																																																																																																														
						3-6	53440	Bracket																																																																																																																																																																																																														
						3-7	53449	Primer																																																																																																																																																																																																														
						3-8	101056	"O" Ring																																																																																																																																																																																																														
						3-9	59480	Seat																																																																																																																																																																																																														
						3-10	100302	Ball																																																																																																																																																																																																														
						3-11	28754	Spring																																																																																																																																																																																																														
						3-12	104520	Screw																																																																																																																																																																																																														
						3-13	48898	Body																																																																																																																																																																																																														
						3-14	57277A	Filter																																																																																																																																																																																																														
						3-15	66442	Diaphragm																																																																																																																																																																																																														
						3-16	48901	Plate																																																																																																																																																																																																														
						3-17	55067C	Diaphragm																																																																																																																																																																																																														
						3-18	53948	Needle																																																																																																																																																																																																														
						3-19	53311	Needle																																																																																																																																																																																																														
						3-20	104001	"O" Ring																																																																																																																																																																																																														
						3-21	104814	Screw																																																																																																																																																																																																														
						3-22	61360	Plate																																																																																																																																																																																																														
						3-23	110055	Screw																																																																																																																																																																																																														
						3-24	55082	Clip																																																																																																																																																																																																														
						3-25	61854A	Shaft																																																																																																																																																																																																														
						3-26	61858	Spring																																																																																																																																																																																																														
						3-27	62910	Screw																																																																																																																																																																																																														
						3-28	61108	Guide																																																																																																																																																																																																														
						3-29	104164	Screw																																																																																																																																																																																																														
						3-30	104305	Pin																																																																																																																																																																																																														
						3-31	55688	Lever																																																																																																																																																																																																														
						3-32	57172	Spring																																																																																																																																																																																																														
						3-33	60163A	Valve Set																																																																																																																																																																																																														
						3-34	63038	Needle																																																																																																																																																																																																														
						3-35	58969	Body																																																																																																																																																																																																														
						3-36	55689	Washer																																																																																																																																																																																																														
						3-37	61364A	Body Assy																																																																																																																																																																																																														
						3-38	110179	Plug																																																																																																																																																																																																														
						3-39	104407	Plug																																																																																																																																																																																																														
							<i>Continued</i>																																																																																																																																																																																																															
<p>Changes in Figure 1.</p> <table border="0"> <tr> <td>1-1</td> <td>102761</td> <td>Screw</td> <td>2-1</td> <td>60427A</td> <td>Cover</td> </tr> <tr> <td>1-2</td> <td>105367</td> <td>Nut</td> <td>2-2</td> <td>60243</td> <td>Knob</td> </tr> <tr> <td>1-3</td> <td>103923</td> <td>Clamp</td> <td>2-3</td> <td>103741</td> <td>Speednut</td> </tr> <tr> <td>1-4</td> <td>102125</td> <td>Screw</td> <td>2-4</td> <td>66849</td> <td>Nameplate</td> </tr> <tr> <td>1-5</td> <td>102974</td> <td>Nut</td> <td>2-5</td> <td>63814</td> <td>Plate</td> </tr> <tr> <td>1-6</td> <td>50062 (4)</td> <td>Insulator</td> <td>2-6</td> <td>63453</td> <td>Screen</td> </tr> <tr> <td>1-7</td> <td></td> <td>Washer</td> <td>2-7</td> <td>55659</td> <td>Grill</td> </tr> <tr> <td>1-A</td> <td>51362</td> <td rowspan="2">} ② Clamp</td> <td>2-8</td> <td>104396</td> <td>Screw</td> </tr> <tr> <td>1-B</td> <td>67475</td> <td>Spacer</td> <td>2-9</td> <td>55634</td> <td>Anchor</td> </tr> <tr> <td>1-8</td> <td>67472</td> <td>Frame</td> <td>2-10</td> <td>63669</td> <td>Hose</td> </tr> <tr> <td>1-9</td> <td>104393</td> <td>Screw</td> <td>2-11</td> <td>53679B</td> <td>Pickup</td> </tr> <tr> <td>1-10</td> <td>101191</td> <td>Nut</td> <td>2-12</td> <td>61159</td> <td>Filter</td> </tr> <tr> <td>1-11</td> <td>55606B</td> <td>Mount</td> <td>2-13</td> <td>Fig. Reference</td> <td></td> </tr> <tr> <td>1-12</td> <td>55637</td> <td>Brace</td> <td>2-14</td> <td>55934B</td> <td>Cap</td> </tr> <tr> <td>1-13</td> <td>102761</td> <td>Screw</td> <td>2-15</td> <td>55063</td> <td>Filter</td> </tr> <tr> <td>1-14</td> <td>102189</td> <td>Washer</td> <td>2-16</td> <td>53766A</td> <td>Valve</td> </tr> <tr> <td>1-15</td> <td>102067</td> <td>Nut</td> <td>2-17</td> <td>101348</td> <td>"O" Ring</td> </tr> <tr> <td>1-16</td> <td>102121</td> <td>Screw</td> <td>2-18</td> <td>104396</td> <td>Screw</td> </tr> <tr> <td>1-17</td> <td>100005</td> <td>Washer</td> <td>2-19</td> <td>63667</td> <td>Cover</td> </tr> <tr> <td>1-18</td> <td>104397</td> <td>Screw</td> <td>2-20</td> <td>65632</td> <td>Gasket</td> </tr> <tr> <td>1-19</td> <td>104483</td> <td>Screw</td> <td>2-21</td> <td>63650</td> <td>Liner</td> </tr> <tr> <td>1-20</td> <td>55941</td> <td>Insert</td> <td>2-22</td> <td>102151</td> <td>Screw</td> </tr> <tr> <td>1-21</td> <td>57872</td> <td>Brace</td> <td>2-23</td> <td>105043</td> <td>Lockwasher</td> </tr> <tr> <td>1-22</td> <td>Fig. Reference</td> <td></td> <td>2-24</td> <td>55948A</td> <td>Screw</td> </tr> <tr> <td>1-23</td> <td>51351</td> <td>Screw</td> <td>2-25</td> <td>58376</td> <td>Lockplate</td> </tr> <tr> <td>1-24</td> <td>100005</td> <td>Washer</td> <td>2-26</td> <td>55636</td> <td>Washer</td> </tr> <tr> <td>1-25</td> <td>103741</td> <td>Speednut</td> <td>2-27</td> <td>102189</td> <td>Washer</td> </tr> <tr> <td>1-26</td> <td>55885</td> <td>Pin</td> <td>2-28</td> <td>103744</td> <td>Washer</td> </tr> <tr> <td>1-27</td> <td>66259</td> <td>Shroud</td> <td>2-29</td> <td>103740</td> <td>Screw</td> </tr> <tr> <td>1-28</td> <td>Fig. Reference</td> <td></td> <td>2-30</td> <td>51480</td> <td>Lockplate</td> </tr> <tr> <td>1-29</td> <td>67477</td> <td>Gasket</td> <td>2-31</td> <td>66274</td> <td>Deflector</td> </tr> <tr> <td>1-30</td> <td>53684A</td> <td>Insulator</td> <td>2-32</td> <td>48593</td> <td>Valve</td> </tr> <tr> <td>1-31</td> <td>102500</td> <td>Screw</td> <td>2-33</td> <td>53685C</td> <td>Plate</td> </tr> <tr> <td>1-32</td> <td>104816</td> <td>Screw</td> <td>2-34</td> <td>67096</td> <td>Gasket</td> </tr> <tr> <td>1-33</td> <td>101191</td> <td>Nut</td> <td>2-35</td> <td>102388</td> <td>Screw</td> </tr> </table>			1-1	102761	Screw	2-1	60427A	Cover	1-2	105367	Nut	2-2	60243	Knob	1-3	103923	Clamp	2-3	103741	Speednut	1-4	102125	Screw	2-4	66849	Nameplate	1-5	102974	Nut	2-5	63814	Plate	1-6	50062 (4)	Insulator	2-6	63453	Screen	1-7		Washer	2-7	55659	Grill	1-A	51362	} ② Clamp	2-8	104396	Screw	1-B	67475	Spacer	2-9	55634	Anchor	1-8	67472	Frame	2-10	63669	Hose	1-9	104393	Screw	2-11	53679B	Pickup	1-10	101191	Nut	2-12	61159	Filter	1-11	55606B	Mount	2-13	Fig. Reference		1-12	55637	Brace	2-14	55934B	Cap	1-13	102761	Screw	2-15	55063	Filter	1-14	102189	Washer	2-16	53766A	Valve	1-15	102067	Nut	2-17	101348	"O" Ring	1-16	102121	Screw	2-18	104396	Screw	1-17	100005	Washer	2-19	63667	Cover	1-18	104397	Screw	2-20	65632	Gasket	1-19	104483	Screw	2-21	63650	Liner	1-20	55941	Insert	2-22	102151	Screw	1-21	57872	Brace	2-23	105043	Lockwasher	1-22	Fig. Reference		2-24	55948A	Screw	1-23	51351	Screw	2-25	58376	Lockplate	1-24	100005	Washer	2-26	55636	Washer	1-25	103741	Speednut	2-27	102189	Washer	1-26	55885	Pin	2-28	103744	Washer	1-27	66259	Shroud	2-29	103740	Screw	1-28	Fig. Reference		2-30	51480	Lockplate	1-29	67477	Gasket	2-31	66274	Deflector	1-30	53684A	Insulator	2-32	48593	Valve	1-31	102500	Screw	2-33	53685C	Plate	1-32	104816	Screw	2-34	67096	Gasket	1-33	101191	Nut	2-35	102388	Screw		
1-1	102761	Screw	2-1	60427A	Cover																																																																																																																																																																																																																	
1-2	105367	Nut	2-2	60243	Knob																																																																																																																																																																																																																	
1-3	103923	Clamp	2-3	103741	Speednut																																																																																																																																																																																																																	
1-4	102125	Screw	2-4	66849	Nameplate																																																																																																																																																																																																																	
1-5	102974	Nut	2-5	63814	Plate																																																																																																																																																																																																																	
1-6	50062 (4)	Insulator	2-6	63453	Screen																																																																																																																																																																																																																	
1-7		Washer	2-7	55659	Grill																																																																																																																																																																																																																	
1-A	51362	} ② Clamp	2-8	104396	Screw																																																																																																																																																																																																																	
1-B	67475		Spacer	2-9	55634	Anchor																																																																																																																																																																																																																
1-8	67472	Frame	2-10	63669	Hose																																																																																																																																																																																																																	
1-9	104393	Screw	2-11	53679B	Pickup																																																																																																																																																																																																																	
1-10	101191	Nut	2-12	61159	Filter																																																																																																																																																																																																																	
1-11	55606B	Mount	2-13	Fig. Reference																																																																																																																																																																																																																		
1-12	55637	Brace	2-14	55934B	Cap																																																																																																																																																																																																																	
1-13	102761	Screw	2-15	55063	Filter																																																																																																																																																																																																																	
1-14	102189	Washer	2-16	53766A	Valve																																																																																																																																																																																																																	
1-15	102067	Nut	2-17	101348	"O" Ring																																																																																																																																																																																																																	
1-16	102121	Screw	2-18	104396	Screw																																																																																																																																																																																																																	
1-17	100005	Washer	2-19	63667	Cover																																																																																																																																																																																																																	
1-18	104397	Screw	2-20	65632	Gasket																																																																																																																																																																																																																	
1-19	104483	Screw	2-21	63650	Liner																																																																																																																																																																																																																	
1-20	55941	Insert	2-22	102151	Screw																																																																																																																																																																																																																	
1-21	57872	Brace	2-23	105043	Lockwasher																																																																																																																																																																																																																	
1-22	Fig. Reference		2-24	55948A	Screw																																																																																																																																																																																																																	
1-23	51351	Screw	2-25	58376	Lockplate																																																																																																																																																																																																																	
1-24	100005	Washer	2-26	55636	Washer																																																																																																																																																																																																																	
1-25	103741	Speednut	2-27	102189	Washer																																																																																																																																																																																																																	
1-26	55885	Pin	2-28	103744	Washer																																																																																																																																																																																																																	
1-27	66259	Shroud	2-29	103740	Screw																																																																																																																																																																																																																	
1-28	Fig. Reference		2-30	51480	Lockplate																																																																																																																																																																																																																	
1-29	67477	Gasket	2-31	66274	Deflector																																																																																																																																																																																																																	
1-30	53684A	Insulator	2-32	48593	Valve																																																																																																																																																																																																																	
1-31	102500	Screw	2-33	53685C	Plate																																																																																																																																																																																																																	
1-32	104816	Screw	2-34	67096	Gasket																																																																																																																																																																																																																	
1-33	101191	Nut	2-35	102388	Screw																																																																																																																																																																																																																	
<p>① Washers (2) are not required.</p>			<p>② Clamp and spacers for mounting the frame and grip assembly. See changes to Figure 1 on this page.</p>																																																																																																																																																																																																																			

FIG. & ITEM	PART NUMBER	NOMENCLATURE	FIG. & ITEM	PART NUMBER	NOMENCLATURE	FIG. & ITEM	PART NUMBER	NOMENCLATURE
3-40	61155	Set	5-11	61473	Gasket	6-27	104551	Nut
3-41	61152	Seat	5-12	67471	Spacer	6-28	104553	Lockwasher
3-42	61151	Ball	5-13	104869	Plug	6-29	100080	Washer
3-43	55062A	Bushing	5-14	51982A	Valve	6-30	110338	Screw
3-44	47523	Tube	5-15	105677	Plug	6-31	63628	Wire
3-45	58865	Absorber	5-16	51505	Weight	6-32	55782A	Insulator
3-46	63651	Collector	5-17	51506	Screen	6-33	57769	Insulator
			5-18	28007	Hose	6-34	57770A	Insulator
			5-19	63642	Piston Assy	6-35	104733	Screw
4-1	63645	Starter	5-20	63643	Piston	6-36	57767A	Lockplate
4-2	101284	Screw	5-21	103198	"O" Ring	6-37	57765B	Breaker
4-3	103859	Screw	5-22	51946	Spring	6-38	100251	Nut
4-4	102189	Washer	5-23	51774B	Sprocket	6-39	100057	Lockwasher
4-5	101191 (1)	Nut	5-24	51775C	Drum	6-40	104733	Screw
4-6	55024B	Cover	5-25	103688	Bearing	6-41	50074	Condenser
4-7	51138	Pulley	5-26	110257	Screw	6-42	61650	Pin
4-8	103536	Bearing	5-27	104138	Screw	6-43	67089	Piston
4-9	57232	Plate	5-28	110245	Screw	6-44	47865	Ring Set
4-10	57231	Cup	5-	60253D	Pump Assy	6-45	110107	Bearing
4-11	57230	Handle	5-29	62890	Screw	6-46	66049	Conn Rod
4-12	28716	Rope	5-30	60976	Locknut	6-47	47819A	Screw
4-13	101136	Rivet	5-31	104001	"O" Ring	6-48	102742	Roller
4-14	103047	Pin	5-32	60260A	Piston Assy	6-49	57827A	Cover
4-15	55871	Drum	5-33	60937	Washer	6-50	55778E	Washer
4-16	51665	Spring	5-34	60263	Ring	6-51	101326	Nut
4-17	104457	Washer	5-35	104001	"O" Ring	6-52	57897	Seal
4-18	51923	Shaft	5-36	60259	Spring	6-53	57898	Seal
4-19	104071	Screw	5-37	60258A	Sleeve	6-54	104523	"O" Ring
4-20	100955	Nut	5-38	60254D	Body	6-55	66016	Bearing
4-21	63646	Cover	5-39	60397A	Screw	6-56	66010	Crankshaft
4-22	101191	Nut	5-40	60398B	Washer	6-57	102762	Screw
4-23	57660A	Starter	5-41	60396B	Spring	6-58	53271	Bracket
4-24	100640	Nut	5-42	102809	Ball	6-59	101326	Nut
4-25	102813	Washer	5-43	110157	Plug	6-60	67420 ③	Crankcase
4-26	100005	Washer	5-44	64935	Plate	6-61	28053	Retainer
4-27	52207C	Nut				6-62	101326	Nut
4-28	104548	Screw				6-63	18556A	Retainer
4-29	103746	Nut	6-1	104815	Screw	6-64	105394	Nut
4-30	103879	Key	6-2	100352	Washer	6-65	104432	Seal
4-31	51470E	Clutch	6-3	63634	Retainer	6-66	110034	Insert
4-32	51468A	Spring	6-4	51251	Lamination	6-67	110340	Plug
4-33	51464A	Shoe	6-5	63639	Wire	6-68	104869	Plug
4-34	52175B	Rotor	6-6	63637	Coil	6-69	110196	Screw
4-35	51910B	Spring	6-7	63640	Wire	6-70	65917	Cover
4-36	60730	Pin	6-8	62926	Boot	6-71	65916	Gasket
4-37	60731	Spacer	6-9	62932	Connector	6-72	57736	Seal
4-38	60729A	Pawl	6-10	63097	Spark Plug	6-73	63615	Valve
4-39	103718	Spring	6-11	101179	Nut			
4-40	Fig. Reference	Spring	6-12	101270	Washer			
4-41	51420	Washer	6-13	65765	Flywheel	7-1	55670	Grommet
4-42	57785A	Seal	6-14	103879	Key		64860	Handle
			6-15	102763	Screw	7-2	55624A	Grip
5-1	61331	Kit	6-16	36388	Lockplate	7-3	101326	Nut
5-2	100152	Nut	6-17	102763	Screw	7-4	104484	Screw
5-3	100153	Lockwasher	6-18	57815	Strap	7-5	55968A	Button
5-4	102088	Screw	6-19	50664	Seal	7-6	55969A	Button
5-5	57129A	Cap	6-20	55977	Clip	7-7	51344A	Shaft
5-6	101148	"O" Ring	6-21	55766B	Cover	7-8	104501	Retainer
5-7	104062	Pin	6-22	104230	Speednut	7-9	55674	Spring
5-8	63060	Housing	6-23	54184	Wiper	7-10	63663	Trigger
5-9	51423B	Bolt	6-24	110055	Screw	7-11	50507	Pin
5-10	51439	Plate	6-25	100080	Washer	7-12	103672	Screw
			6-26	57829	Clamp			

Continued

NOTE

③ Includes DSP Valve, P/N 63615

FIG. & ITEM	PART NUMBER	NOMENCLATURE	FIG. & ITEM	PART NUMBER	NOMENCLATURE	FIG. & ITEM	PART NUMBER	NOMENCLATURE
				<i>ACCESSORY ITEMS</i>				
7-13	63662	Wire				9	66045	Ring Set
7-14	51279	Contact	1	67004	Manual	10	64797	Wrench
7-15	51555	Insulator	2	61040	Wrench	11	63173	Spark Arr
7-16	51554A	Detent	3	101522	Wrench	12	63174	Spark Arr
7-17	57718	Button	4	67091	Piston Assy	13	51178B	Sprocket
7-18	55986	Handle	5	66048	Ring Set	14	51793B	Sprocket
7-19	53583A	Pushrod	6	67092	Piston Assy	15	65149	Plate set
7-20	51857B	Pushrod	7	66047	Ring Set	16	65712	Timing Guide
7-21	63665	Pushrod	8	67093	Piston Assy	17	63432	Spark plug



McCULLOCH CORPORATION
6101 WEST CENTURY BLVD., LOS ANGELES, CALIFORNIA 90045

McCULLOCH OF CANADA, LTD.
77 BELFIELD ROAD, REXDALE, ONTARIO, CANADA

McCULLOCH INTERNATIONAL, INC.
ARKSTRAAT 5, MECHELEN, BELGIUM
G.P.O. BOX 879, HONG KONG, B. C. C.

McCULLOCH OF AUSTRALIA PTY., LTD.
P. O. BOX 165, SOUTH GRANVILLE, N. S. W., AUSTRALIA

McCULLOCH INTERNATIONAL (U.S.), INC.
P. O. BOX 45466 LOS ANGELES, CALIFORNIA, U. S. A.

10600130D