

# ILLUSTRATED PARTS LIST

MODELS	SERIAL NUMBER PREFIX
400175D	-13
400176D	-11

## MODEL 795L POWER UNIT

Model 795 Power Units are identified by a model number (400175 or 400176) followed by a suffix letter (D) stamped on the identification plate attached to the unit.

Part numbers which have one or more dots (.) preceding their description may be ordered individually but they are also included in the kit or assembly whose description begins directly above the dot(s).

The policy of McCulloch Corporation is one of continual improvement in design, manufacturing and engineering advancement wherever possible to assure still finer two-cycle power tools. Hence, specifications, equipment, colors, design and manufacturer's suggested list prices are subject to change without notice and McCulloch Corporation reserves the right to make such changes without prior notification or obligation to backfit or supply backfit components for units previously shipped from the factory.



**JULY 1976**

- CONTENTS -

	<u>Page</u>
Figure 1. General .....	2
Figure 2. Fuel System .....	4
Figure 3. Handle & Control Assembly ..	6
Figure 4. Starter Assembly .....	6
Figure 5. Carburetor Assembly .....	8
Figure 6. Powerhead Assembly .....	10
Accessories .....	3
Service Specifications .....	9
Attachments .....	12





# MODEL 795L POWER UNIT

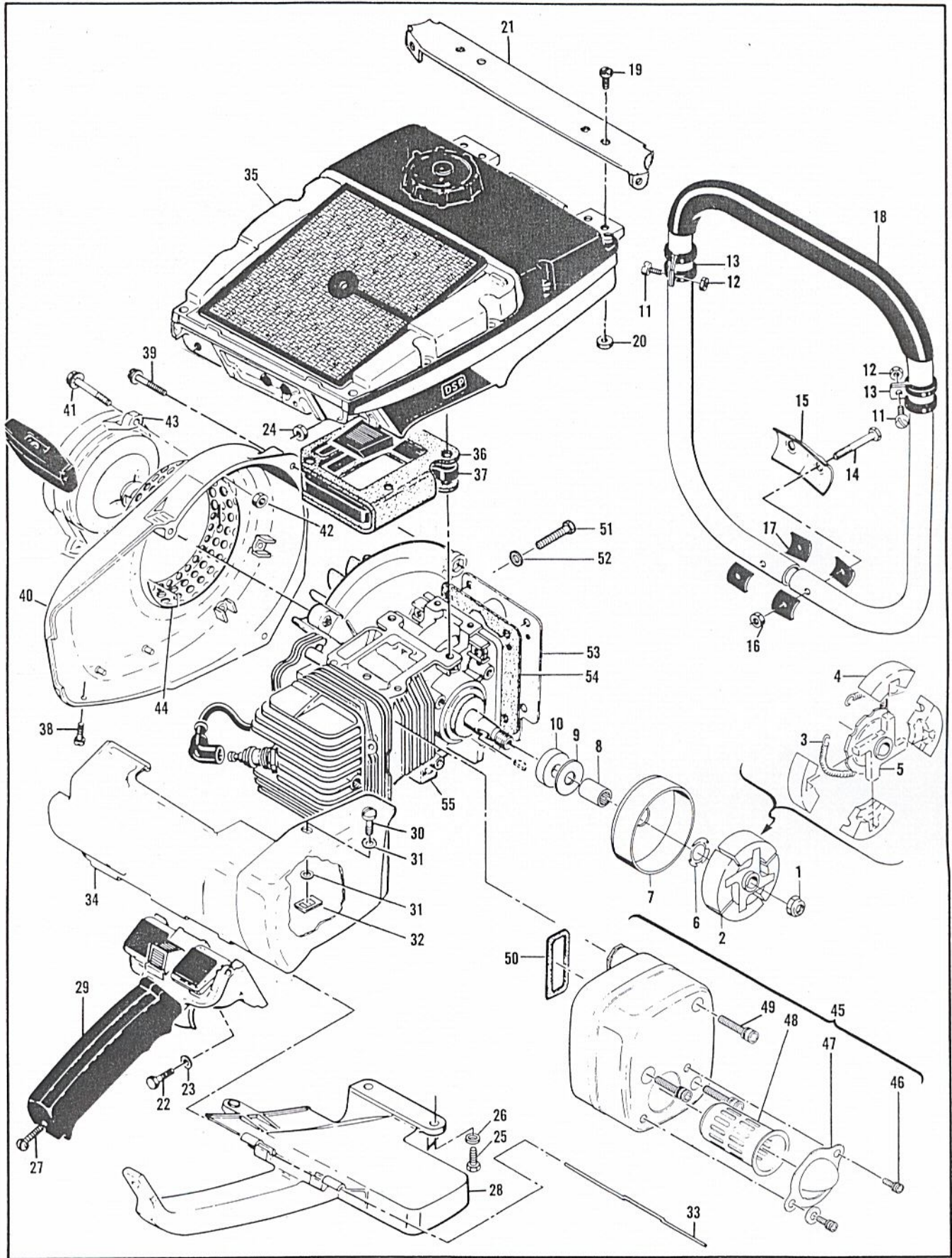


Figure 1. General

# MODEL 795L POWER UNIT

Figure 1. General

Item No.	Part Number	Description	Units Per Asy
1	86113	Nut-Hx 3/8-24 Left hand	1
2	89227	Clutch Asy	1
3	85042	. Spring-Clutch	1
4	51464A	. Shoe-Clutch	4
5	89226	. Rotor Asy-Clutch	1
6	103718	Spring-Thrust	1
7		Drum-Clutch	1
8		Bearing	1
9	51420	Washer	1
10	57785A	Seal-Felt	1
11	102761	Screw-Hx hd 10-24 x 7/8	2
12	105367	Nut-Hx 10-24	2
13	103923	Clamp-Frame	2
14	102125	Screw-Hx hd 1/4-20 x 1-3/4	2
15	51362	Clamp-Frame	1
16	105394	Nut-Hx 1/4-20	2
17	50062	Insulator-Frame	4
18	60231A	Frame & Grip Asy	1
19	104393	Screw-Pan hd 10-24 x 3/8	4
20	101326	Nut-Hx 10-24	4
21	83363	Brace-Frame	1
22	102761	Screw-Hx hd 10-24 x 7/8	2
23	102189	Washer-#10	2
24	102067	Nut-Hx 10-24	2
25	102121	Screw-Hx hd 1/4-20 x 7/8	2
26	100005	Washer-1/4	2
27	104397	Screw-Pan hd 10-24 x 7/8	1
28	89630 ①	Brace-Handle	1
(28)	57872 ②	Brace-Handle	1

Item No.	Part Number	Description	Units Per Asy
29		Handle & Control Asy(Fig 3)	
30	51351	Screw-Special	1
31	100005	Washer-1/4	2
32	103741	Retainer	1
33	55885	Pin-Shroud	1
34	89629 ①	Shroud Asy	1
(34)	66259 ②	Shroud Asy	1
35		Fuel System (Fig 2)	
36	65625	Gasket-Fuel tank insulator	1
37	53684A	Insulator-Fuel tank	1
38	102500	Screw-Pan hd 10-24 x 1/2	1
39	110910	Screw-Hx hd 10-24 x 1-3/8	3
40	89619 ①	Housing-Fan	1
(40)	89241 ②	Housing-Fan	1
41	110911	Screw-Hx hd 10-24 x 7/8	3
42	101326	Nut-Hx 10-24	3
43		Starter Asy (Fig 4)	
44	84629	Guard-Sawdust	1
45	84205	Muffler Asy	1
46	110664	. Screw-Skt hd 10-24 x 3/8	2
47	84203	. Deflector	1
48	84690	. Baffle	1
49	110713	. Screw-Skt hd 10-24 x 7/8	3
50	83379	Gasket-Muffler	1
51	101982	Screw-Hx hd 1/4-20 x 1	4
52	100311	Washer	4
53	89622 ①	Cover-Crankcase bottom	1
(53)	67254 ②	Cover-Crankcase bottom	1
54	65654	Gasket-Bottom cover	1
55		Powerhead Asy (Fig 6)	

- ① Used on model number 400175D (Blue).  
 ② Used on model number 400176D (Yellow).

## Accessories

Part Number	Description
63097	Spark Plug (Standard)
63432	Spark Plug (Cooler)
86419	Guide - Timing
84688	Kit - Spark arrester baffle (for Muffler Kit 85205)
64797	Wrench - Spark plug
101522	Wrench - Muffler
90716	Valve - Muffler
Wide Ring	
62884	Piston Asy-0.030 in. oversize
62423	. Ring Set-0.030 in. oversize

Part Number	Description
Thin Ring	
62877	Piston Asy-Standard size
58353	. Ring Set-Standard size
62878	Piston Asy-0.010 in. oversize
58394	. Ring Set-0.010 in. oversize
62879	Piston Asy-0.020 in. oversize
58354	. Ring Set-0.020 in. oversize
62880	Piston Asy-0.030 in. oversize
58395	. Ring Set-0.030 in. oversize



# MODEL 795L POWER UNIT

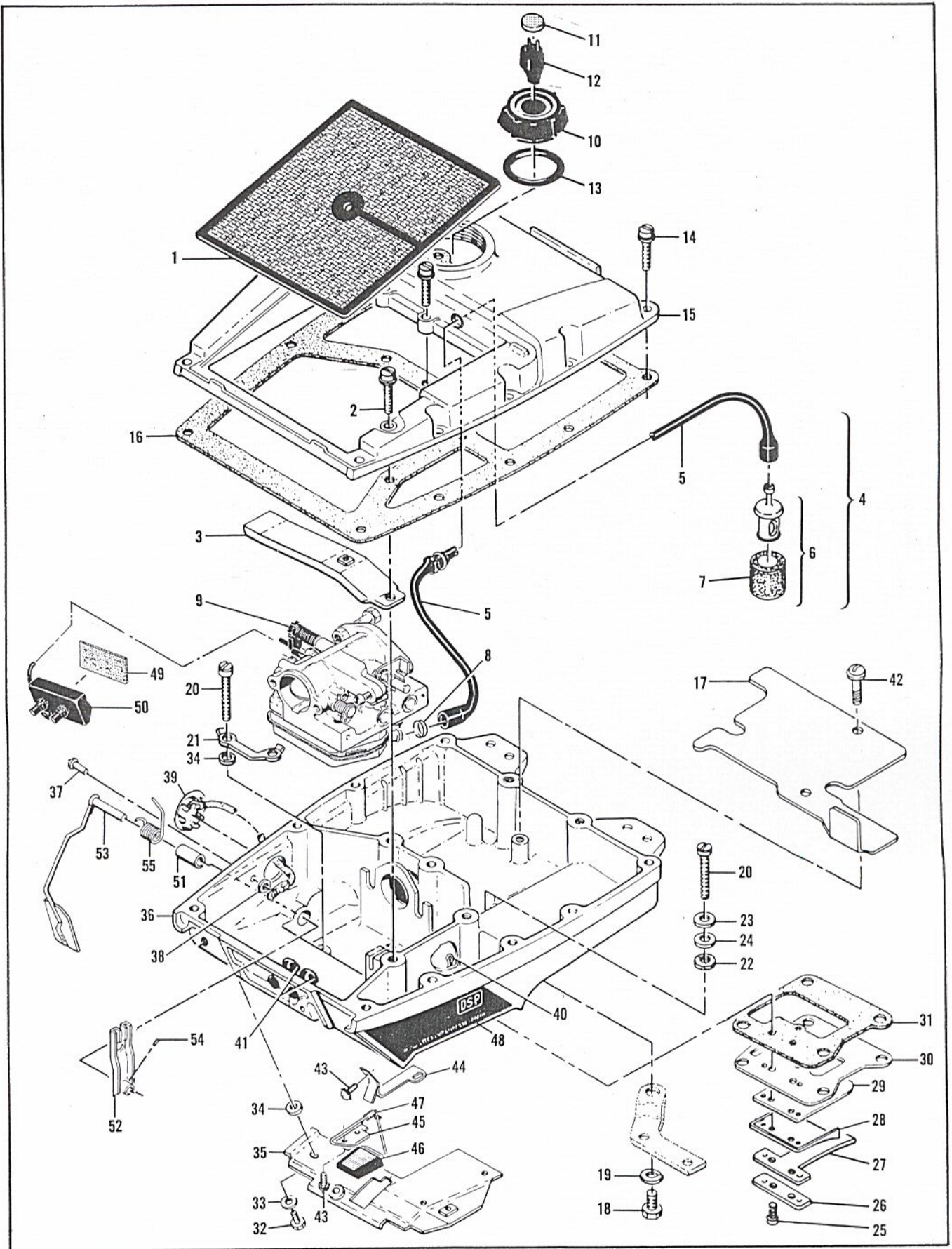


Figure 2. Fuel System

Figure 2. Fuel System

**MODEL 795L  
POWER UNIT**

Item No.	Part Number	Description	Units Per Asy
1	55498	Screen Asy-Air cleaner	1
2	104396	Screw-Pan hd 10-24 x 3/4	1
3	55634	Anchor Asy	1
4	63831	Hose Asy-Fuel	1
5	63669	. Hose-Fuel	1
6	53679B	. Pickup Asy-Fuel	1
7	61159	. . Filter-Fuel pickup	1
8	91068	Clamp-Hose	1
9		Carburetor Asy (Fig 5)	
10	55934B	Cap Asy-Fuel	1
11	55063	. Filter-Fuel cap	1
12	53766A	. Valve-Fuel cap	1
13	101348	"O" Ring	1
14	104396	Screw-Pan hd 10-24 x 3/4	14
15	89636	① Cover-Fuel tank	1
(15)	89687	② Cover-Fuel tank	1
16	65632	Gasket-Fuel tank	1
17	63650	Liner-Fuel tank	1
18	102151	Screw-Hx hd 1/4-20 x 1/2	1
19	105043	Washer-Lock	1
20	55948A	Screw-Hx hd 10-24 x 1-1/8	4
21	68654	Plate-Lock	1
22	68203	Washer-Insulating	4
23	102189	Washer-#10	2
24	103744	Washer-Sealing	2
25	103740	Screw-Hx hd 8-32 x 5/8	2
26	51480	Plate-Lock	1
27	57658A	Clamp-Reed	1
28	66274	Deflector-Fuel	1
29	48593	Valve-Reed	1
30	53685C	Plate-Reed	1

Item No.	Part Number	Description	Units Per Asy
31	65657	Gasket-Fuel tank	1
32	102388	Screw-Hx hd 10-24 x 5/8	3
33	102189	Washer-#10	3
34	68203	Washer-Insulating	2
35	63652	Shroud Asy-Cylinder	1
36	89627	① Bottom Asy-Fuel tank	1
(36)	63873	② Bottom Asy-Fuel tank	1
37	104504	. Rivet	1
38	101871	. Washer-1/8	1
39	51396A	. Cover Asy-Adjustment hole	1
40	104310	. Pin-Cotter.	1
41	68258	. Grommet	2
42	110054	. Screw-Pan hd 6-32 x 3/8 (SEMS)	2
43	105249	. Screw-8-32 x 3/8(SEMS)	3
44	64582	Retainer-Lever	1
45	63619	Plate-Lever retainer	1
46	63914A	Lever Asy-Compression release	1
47	63827	Spring-Lever	1
48	66269	Emblem-Fuel tank (DSP)	1
49	58865	Absorber	1
50	63651	Collector	1
51	103708	Bushing	1
52	61754	Lever Asy-Governing arm	1
53	55958	Arm Asy-Governing	1
54	104154	Screw-Skt hd 8-32 x 1/4	1
55	61757	Spring-Governing	1

① Used on model number 400175D (blue).

② Used on model number 400176D (yellow).





Figure 3. Handle & Control Assembly

Item No.	Part Number	Description	Units Per Asy
1	55670	Grommet	2
	89632	① Handle & Control Asy	1
	64860	② Handle & Control Asy	1
2	55624A	. Grip-Handle	1
3	101326	. Nut-Hx 10-24	1
4	104484	. Screw-Set 8-32 x 1/4	1
5	89635	① . Button-Choke	1
(5)	89377	② . Button-Choke	1
6	85573	③ . Retainer-Oiler button	1
7	89634	① . Button-Oiler control	1
(7)	89378	② . Button-Oiler control	1
8	51344A	. Shaft-Choke & Oiler buttons	1
9	104501	. Retainer-Trigger pin	1

Item No.	Part Number	Description	Units Per Asy
10	55674	. Spring-Trigger pin	1
11	63663	. Trigger	1
12	50507	. Pin-Trigger	1
13	110706	. Screw-Fil hd 8-32 x 1/2 (SEMS)	1
14	83661	. Wire Asy-Stop switch	1
15	51279	. Contact-Switch	1
16	51555	. Insulator-Switch	1
17	51554A	. Detent - Switch	2
18	57718	. Button-Switch	1
19	55986	. Handle	1
20	84319	Pushrod-Choke	1
21	61907	Pushrod-Throttle	1

- ① Used on model number 400175D (Blue).
- ② Used on model number 400176D (Yellow).
- ③ Not included in Handle & Control Asy, P/N 64860.

Figure 4. Starter Assembly

Item No.	Part Number	Description	Units Per Asy
	89606	① Starter Asy	1
	84211	② Starter Asy	1
1	57232	. Plate-Starter handle	1
2	104396	. Screw-Pan hd 10-24 x 3/4	2
3	60647	. Cover - Starter	1
4	57790	. Ratchet - Starter	1

Item No.	Part Number	Description	Units Per Asy
5	57231	. Cup - Starter handle	1
6	57230	. Handle-Starter	1
7	28716	. Rope-Starter	1
8	101136	. Rivet	1
9	51665	. Spring - Rewind	1
10	57792	. Drum-Starter	1
11	84212	. Base-Starter	1

- ① Used on model number 400175D (Blue).
- ② Used on model number 400176D (Yellow).





Figure 5. Carburetor Assembly

Item No.	Part Number	Description	Units Per Asy
1	100882	Screw-Hx hd 1/4-20 x 3/4	2
2	103242	Nut - Hx 1/4-20	2
3	100005	Washer - 1/4	2
4	65586	Gasket - Carburetor	1
	87294	Carburetor Asy	1
5	104814	. Screw-Pan hd 4-40 x 1/4	3
6	55085	. Plate - Choke	1
7	84073	. Shaft Asy-Choke	1
8	55089	. Spring-Choke shaft	1
9	61360	. Plate - Throttle	1
10	61901	. Arm - Throttle shaft	1
11	61895	. Spring - Idle governor	1
12	110055	. Screw-Fil hd 8-32 x 3/8	1
13	61891	. Clip - Shaft	1
14	61920	. Shaft and Pin Asy	1
15	110301	. . Pin - Groove	1
16	61894A	. Cam Asy	1
17	61906	. Spring - Cam	1
18	62910	. Screw - Idle speed	1
19	61108	. Guide-Throttle rod	1
20	104520	. Screw-Pan hd 10-24 x 7/8	4

Item No.	Part Number	Description	Units Per Asy
21	69169	. Body-Fuel pump	1
22	48911	. Filter - Fuel	1
23	57274B	. Diaphragm Asy-Pump	1
24	48901	. Plate-Diaphragm	1
25	55067C	. Diaphragm-Carburetor	1
26	87167	. Needle-Idle adjustment	1
27	53311	. Needle-Main adjustment	1
28	104001	. "O" Ring	2
29	104164	. Screw-Pan hd 4-40 x 1/4	1
30	104305	. Pin - Lever	1
31	84317	. Lever-Inlet	1
32	57172	. Spring-Lever	1
33	83753	. Needle-Inlet	1
34	110179	. Plug - Expansion 1/2 in.	1
35	104407	. Plug - Expansion 1 in.	1
	61155	. Set - Ball & Seat	1
36	61152	. . Seat	1
37	61151	. . Ball	1
38	55062A	. Bushing - Shaft	2
39	47523	. Tube - Collector hose	1

Service Specifications

Spark Plug Gap	.025" (.63 mm)
Lamination Gap	.010 to .015" (.25 to .38 mm)
Breaker Point Gap	.018" (.46 mm)
Carburetor Adjustment:	
Idle Needle	Preliminary adjustment - 1 turn open. Adjust for smooth idle and acceleration.
Main Needle	Preliminary adjustment - 1 turn open. Adjust for maximum power under load.
Torque Values:	
Flywheel Nut	350 to 400 in./lbs. (403.20 to 460.80 cm/kg)
Clutch Nut	240 to 300 in./lbs. (276.48 to 345.60 cm/kg)
Connecting Rod Screws	105 to 110 in./lbs. (120.96 to 126.70 cm/kg)

# MODEL 795L POWER UNIT

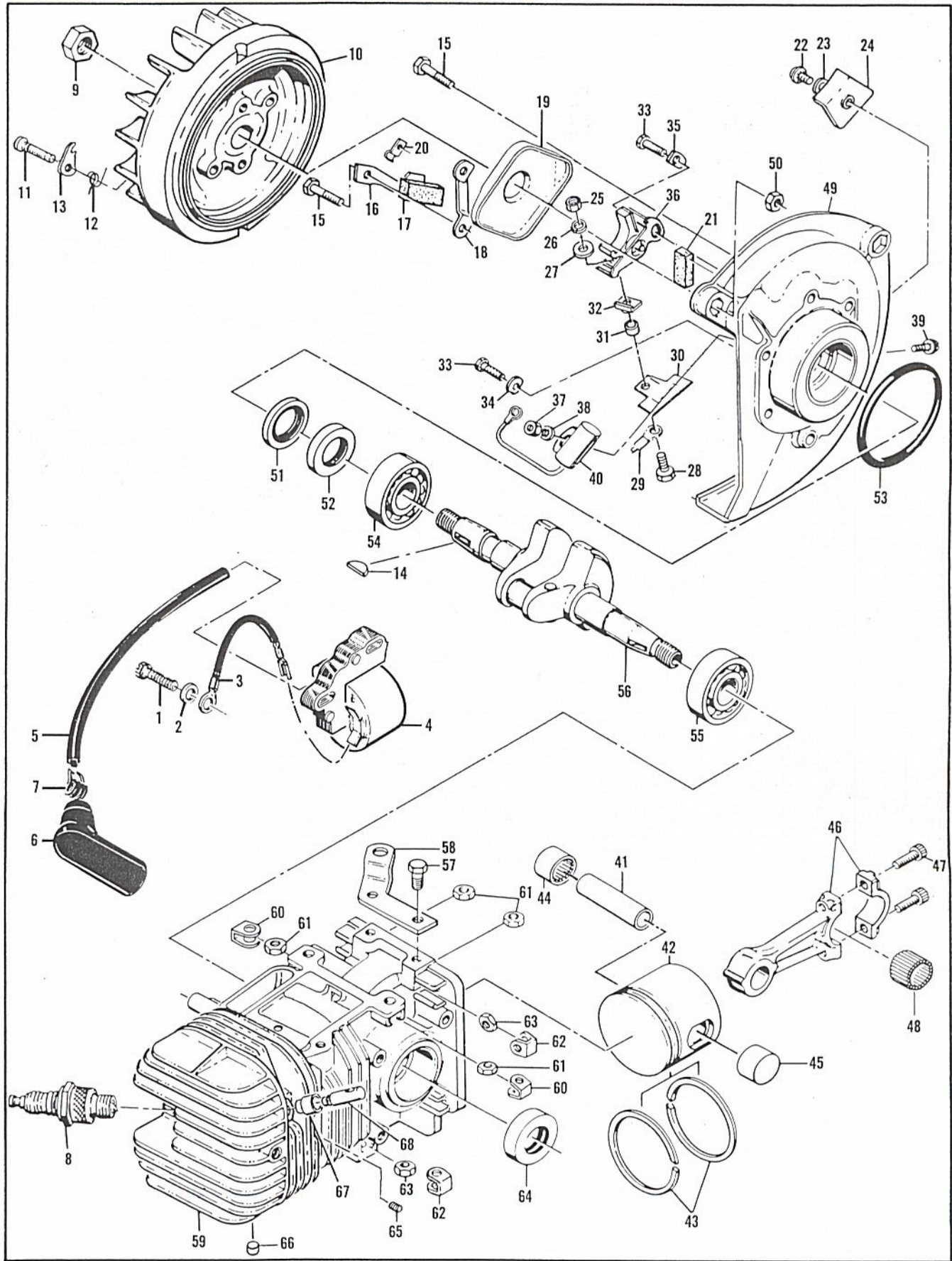


Figure 6. Powerhead Assembly



## Figure 6. Powerhead Assembly

Item No.	Part Number	Description	Units Per Asy
1	110887	Screw-Hx hd 10-24 x 1	2
2	100352	Washer - #10	2
3	63639	Wire Asy-Ground	1
4	85243	Coil & Lamination Asy	1
5	50120	. Wire Asy-Spark plug	1
6	55060	. . Boot	1
7	55061	. . Connector	1
8	63097	Spark Plug	1
9	110655	Nut-Flange 7/16-20	1
10	68282	Flywheel & Pawl Asy	1
11	36144B	. Pin - Starter pawl	2
12	66351	. Spring-Pawl	2
13	24093	. Pawl-Starter	2
14	100106	Key-Woodruff	1
15	110866	Screw-Hx hd 10-24 x 3/4	6
16	57815	Strap-Seal	1
17	50664	Seal-Breaker box drain	1
18	55977	Clip - Breaker box cover	2
19	55766B	Cover-Breaker box	1
20	104230	Speednut	1
21	54184	Wiper - Felt	1
22	110055	Screw-Fil hd 8-32 x 3/8 (SEMS)	1
23	100080	Washer-#8	1
24	57829	Clamp - Ignition wire	1
25	104551	Nut-Hx 8-32	1
26	104553	Washer-#8 Lock	1
27	100080	Washer-#8	1
28	110338	Screw-Hx hd 8-32 x 9/16	1
29	63628	Wire Asy-Primary	1
30	55782A	Insulator	1
31	57769	Insulator-Ignition screw	1
32	57770A	Insulator-Breaker spring	1
33	104733	Screw-Fil hd 8-32 x 1/2 (SEMS)	2
34	57767A	Plate - Lock	1

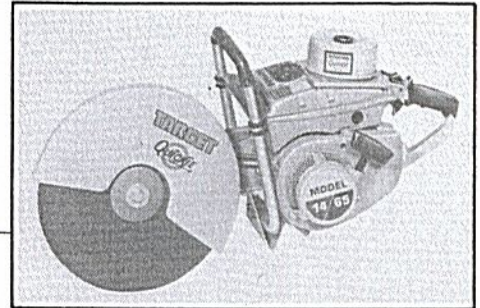
Item No.	Part Number	Description	Units Per Asy
35	55778E	Washer-Breaker retainer	1
36	88807	Breaker Asy	1
37	100251	Nut-Hx 8-32	1
38	100057	Washer-#8 Lock	1
39	103748	Screw-Hx hd 8-32 x 1/2	1
40	85358	Condenser	1
41	69408	Pin-Piston	1
42	62883	Piston Asy	1
43	62422	. Ring Set-Piston	1
44	104519	. Bearing-Needle	1
45	62868	. Bearing-Needle (closed end)	1
46	47903	Connecting Rod Asy	1
47	60210A	. Screw - Special	2
48	69891	. Roller-Needle	24
49	84193	Crankcase Cover Asy	1
50	101326	. Nut - Hx 10-24	3
51	57897	. Seal - Oil	1
52	57898	. Seal - Oil	1
53	104523	"O" Ring	1
54	100824	Bearing - Ball	1
55	104490	Bearing - Ball	1
56	58128	Crankshaft	1
57	102762	Screw-Hx hd 10-24 x 1/2	2
58	53271	Bracket-Fuel tank mounting	1
59	87273	Cyl/C'case Asy	1
60	28053	. Retainer - Nut	2
61	101326	. Nut - Hx 10-24	4
62	18556A	. Retainer - Nut	6
63	105394	. Nut - Hx 1/4-20	6
64	57732	. Seal - Oil	1
65	83374	. Insert - Taplok	2
66	110685	. Plug - Cup	3
67	86280	. Body - DSP Valve	1
68	86295	. Valve - DSP	1

The McCulloch 795L Power Unit is sold to three manufacturers who use it to power various attachments of their own design. Individual parts of these attachments must be ordered directly from the respective manufacturer or its distributors.

The manufacturers and products which use the 795L Power Unit are listed below.

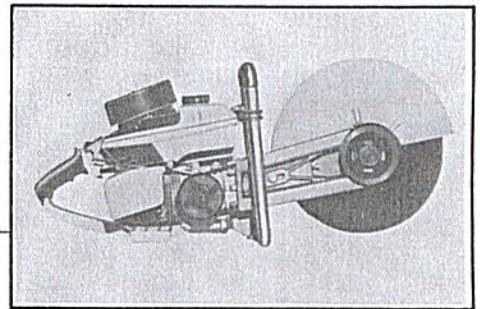
\* Robert G. Evans Company  
4330 Clary Boulevard  
Kansas City, Missouri 64130  
(816) 923-5040

"QUICKIE" (795L-400175D)



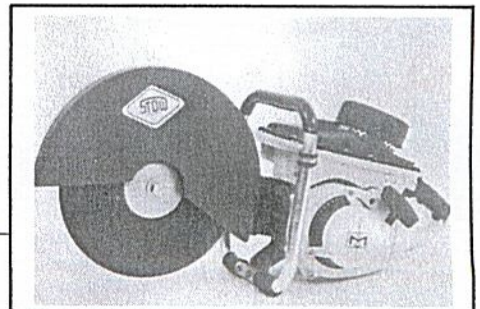
Koehring Master Division  
1752 Stanley Avenue  
Dayton, Ohio 45401  
(513) 461-4860

"M 12A" (795L-400176D)



Stow Manufacturing  
Brandywine Highway  
Binghamton, New York 13902  
(607) 723-6411

"RIPPER" (795L-400176D)



\* Robert G. Evans Co. (Target/Quickie) supplies their own Illustrated Parts List for the 795L Power Unit. They use McCulloch part numbers with the prefix 08. Therefore, remove the 08 prefix in order to convert an Evans part number to a McCulloch part number. EXAMPLE: R. G. Evans Frame Clamp, P/N 0851362, is McCulloch Frame Clamp, P/N 51362.



McCULLOCH CORPORATION  
P.O. Box 92180, Los Angeles, California 90009  
International Divisions:  
Los Angeles, California, P.O. Box 92181  
Singapore, Goldhill Plaza, Singapore 11  
Sao Paulo, Brazil, Caixa Postal 21-492

McCULLOCH OF CANADA LTD.  
6338 Viscount Road, Malton, Ontario L4V 1H4, Canada  
McCULLOCH OF EUROPE, N.V.  
Geerdegem Schonenberg, 299 2800 Mechelen, Belgium  
McCULLOCH OF AUSTRALIA PTY., LTD.  
P.O. Box 223, Seven Hills, N.S.W. 2147, Australia