

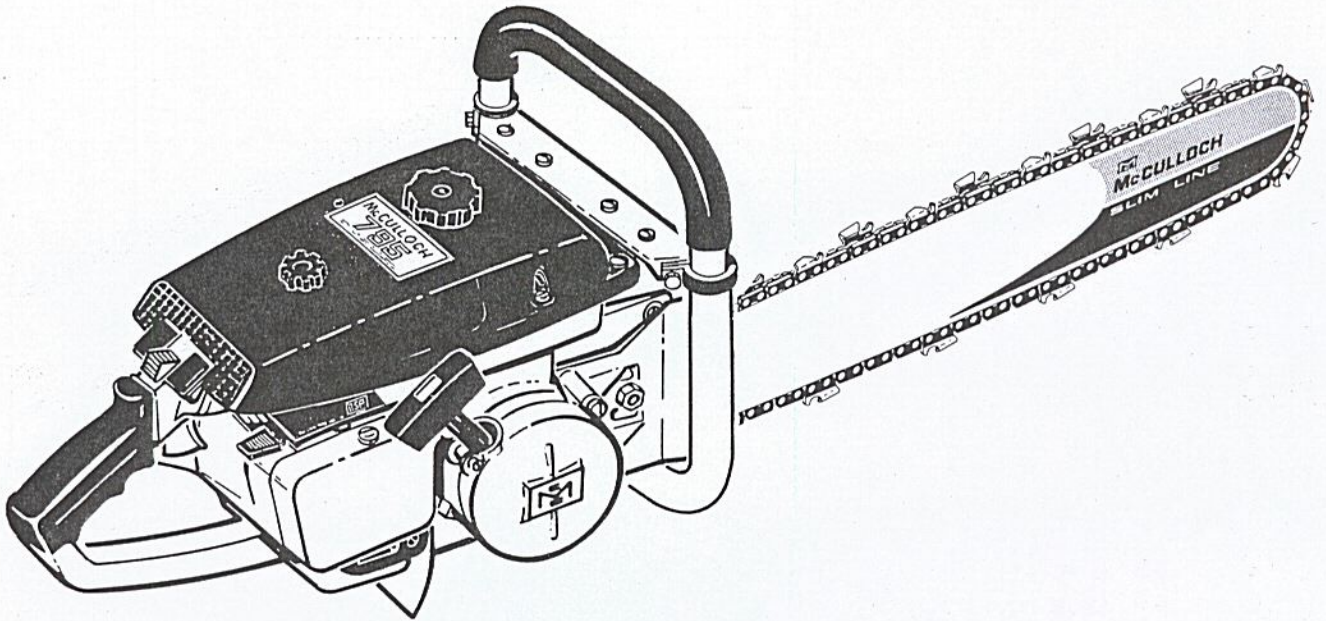
Chain Saw

MODEL 795

P/N 63610

ILLUSTRATED PARTS LIST

MARCH 1966



The following pages contain an illustrated parts list for the Model 795 Chain Saw. Due to small differences between saws, it is important that the Serial Number of your saw be included whenever spare parts are ordered.

	Page
Figure 1. Engine Exploded View - General	2
Figure 2. Fuel System Components	4
Figure 3. Carburetor and Fuel Collector Assemblies	6
Figure 4. Starter and Clutch Assembly	8
Figure 5. Chain Oiler Assemblies	10
Figure 6. Powerhead Assembly	12
Figure 7. Handle and Control Assembly	14
Figure 8. Bar and Chain	14

MCCULLOCH CORPORATION

6101 West Century Boulevard, Los Angeles, California 90045

COPYRIGHT - 1966

MCCULLOCH CORPORATION

63694

MANUFACTURER'S SUGGESTED LIST PRICE 50 CENTS

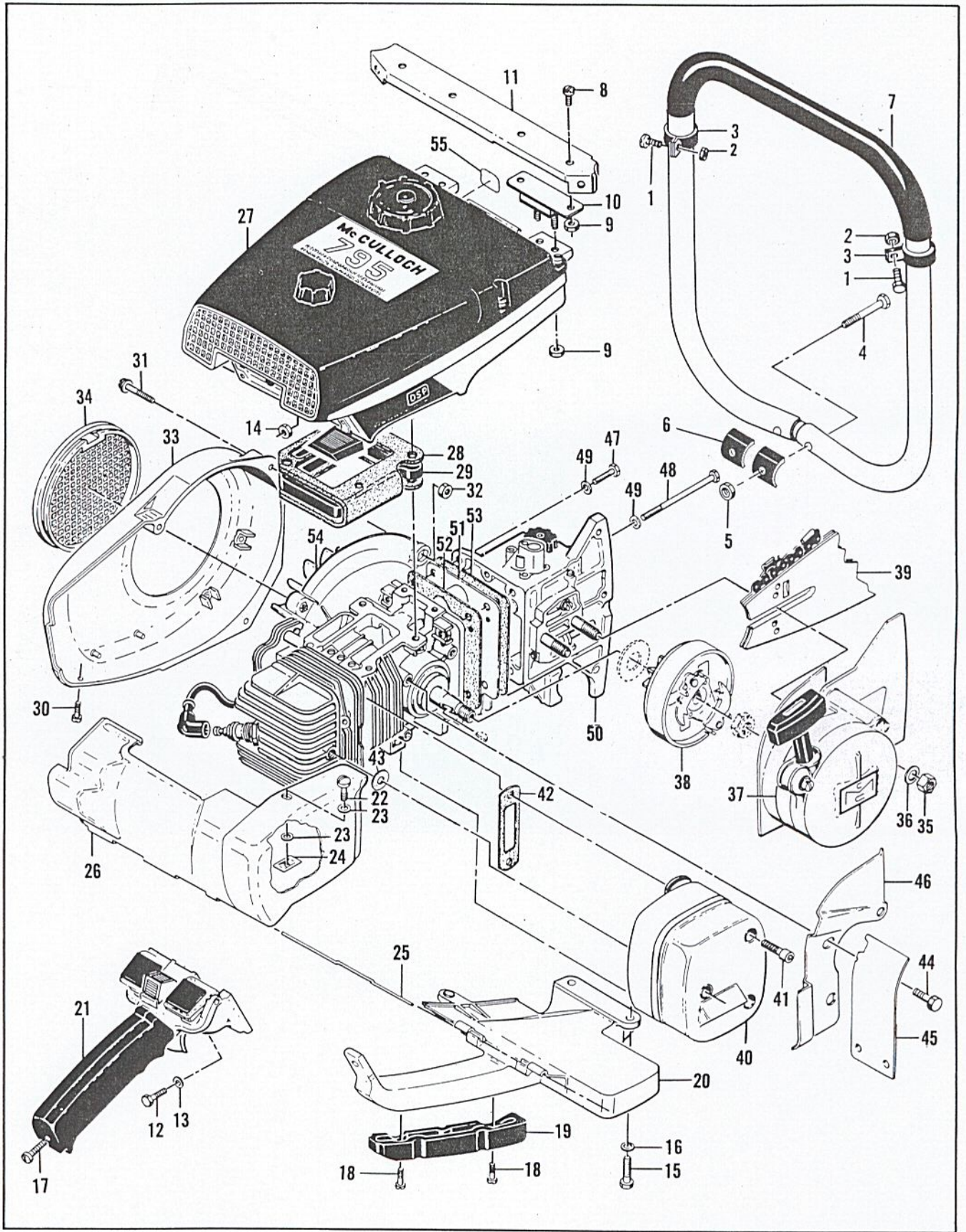


Figure 1. Engine Exploded View - General

FIGURE 1. ENGINE EXLODED VIEW — GENERAL

Index No.	Part Number	Nomenclature	Units Per Assy
1	102761	Screw - Hex hd 10-24 x 7/8 in. lg	2
2	100239	Nut - Hex 10-24	2
3	103923	Clamp	2
4	102125	Screw - Hex hd 1/2 x 1-3/4 in. lg	2
5	105394	Nut - Hex 1/4-20	2
6	50062	Insulator	2
7	60231A	Frame and Grip Assy	1
8	104393	Screw - Pan hd 10-24 x 3/8 in. lg	4
9	101191	Nut - Hex 10-24	8
10	55606B	Mount - Shock	2
11	55637	Brace - Frame	1
12	102761	Screw - Hex hd 10-24 x 7/8 in. lg	2
13	102189	Washer - Plain #10	2
14	102067	Nut - Hex 10-24	2
15	102121	Screw - Hex hd 1/4-20 x 7/8 in. lg	2
16	100005	Washer - Plain 1/4 in.	2
17	104397	Screw - Pan hd 10-24 x 7/8 in. lg	1
18	104483	Screw - Bind hd 10-24 x 5/8 in. lg	2
19	55941	Insert - Handle	1
20	57872	Brace - Handle	1
21		Handle and Control Assy (See Figure 7)	1
22	51351	Screw - Special	1
23	100005	Washer - Plain 1/4 in.	2
24	103741	Speednut	1
25	55885	Pin - Shroud	1
26	55419A	Shroud Assy - Cylinder and spark arrester	1
27		Fuel System Components (See Figure 2)	1
28	53768A	Gasket - Fuel tank and insulator	1
29	53684A	Insulator	1
30	102500	Screw - Pan hd 10-24 x 1/2 in. lg	1
31	104816	Screw - 10-24 x 1-1/4 in. lg (SEMS)	3
32	101191	Nut - Hex 10-24	2
33	57733	Housing - Fan	1
34	55615	Guard - Flywheel	1
35	103729	Nut - Hex 3/8-24	2
36	100006	Washer - Plain 3/8 in.	2
37		Starter Assy (See Figure 4)	1
38		Clutch, Drum and Bearing Assy (See Figure 4)	1
39		Bar and Chain Assy (See Figure 8)	1
40	*53480	Spark Arrester and Screw Assy	1
41	104895	. Screw - Socket hd 10-24 x 5/8 in. lg	3
42	53652	Gasket - Spark arrester	1
43	53651	Washer - Insulator	1
44	104133	Screw - 1/4-20 x 5/8 in. lg (SEMS)	3
45	51990A	Shield	1
46	55255	Jacket - Cylinder	1
47	103258	Screw - Hex hd 1/4-20 x 1-1/8 in. lg	2
48	102127	Screw - Hex hd 1/4-20 x 3-1/4 in. lg	2
49	100005	Washer - Plain 1/4 in.	4
50		Oiler Housing Assy (See Figure 5)	1
51	60251A	Cover - Crankcase bottom	1
52	48909A	Gasket - Crankcase bottom cover	1
53	60252	Gasket - Oiler housing	1
54		Powerhead Assy (See Figure 6)	1
55	59445	Decal - Oiler	1
	*63173	Spark Arrester - Half quiet (alternate)	
	*63174	Spark Arrester - Full quiet (alternate)	

FIGURE 2. FUEL SYSTEM COMPONENTS

Index No.	Part Number	Nomenclature	Units Per Assy
	60427	Cover Assy - Air cleaner	1
1	60243	. Knob - Air cleaner cover.	1
2	103741	. Speednut.	1
3		. Cover - Air cleaner (Order Assy #60427)	1
4	63671	Nameplate	1
5	63814	Instruction Plate	1
6	55498	Screen - Air cleaner.	1
7	55659	Grill - Air cleaner cover.	1
8	104396	Screw - Pan hd 10-24 x 3/4 in. lg	1
9	55634	Anchor Assy - Air cleaner.	1
10	63831	Hose Assy - Fuel line	1
11	63669	. Hose - Fuel.	1
12	53679B	. Pickup Assy - Fuel.	1
13	61159	. Filter - Fuel pickup	1
14		McCulloch Carburetor and Fuel Collector Assemblies (See Figure 3) .	1
15	55934B	Cap Assy - Fuel.	1
16	55063	. Filter - Fuel cap	1
17	53766A	. Valve - Fuel cap	1
18	101348	"O" Ring - Fuel cap	1
19	104396	Screw - Pan hd 10-24 x 3/4 in. lg	14
20	63667	Cover - Fuel tank.	1
21	55627A	Gasket - Fuel tank	1
22	53837A	Liner - Fuel tank.	1
23	102151	Screw - Hex hd 1/4-20 x 1/2 in. lg	1
24	105043	Lockwasher.	1
25	55948A	Screw - Fuel tank.	4
26	58376	Lockplate	1
27	55636	Washer - Insulating	4
28	102189	Washer	2
29	103744	Washer - Sealing	2
30	103740	Screw - Hex hd 8-32 x 7/8 in. lg	2
31	51480	Lockplate	1
32	57658A	Clamp - Reed	1
33	53686A	Deflector - Fuel.	1
34	48593	Valve - Reed.	1
35	53685C	Plate - Reed	1
36	58328B	Gasket	1
37	102388	Screw - Hex hd 10-24 x 1/2 in. lg	3
38	102189	Washer	3
39	55636	Washer - Insulating	2
40	63652	Shield Assy - Fuel tank.	1
	63873	Bottom Assy - Fuel tank	1
41	104504	. Rivet	1
42	101871	. Washer - Plain	1
43	51396A	. Cover Assy - Adjustment hole	1
44	104310	. Pin - Cotter	1
45	60237	. Grommet	2
46	103708	. Bushing	1
47	103819	. Rivet	1
48	110054	. Screw - Pan hd 6-32 x 3/8 in. lg (SEMS)	2
49	105249	. Screw - 8-32 x 3/8 in. lg (SEMS)	3
50		. Fuel Tank - Bottom (Order Fuel Tank Bottom Assy #63873)	1
51	64582	Retainer - Lever	1
52	63619	Plate - Lever retaining.	1
53	63914	Lever Assy - Compression release.	1
54	63287	Spring - Lever.	1
55	63870	Emblem - Fuel tank (DSP).	1

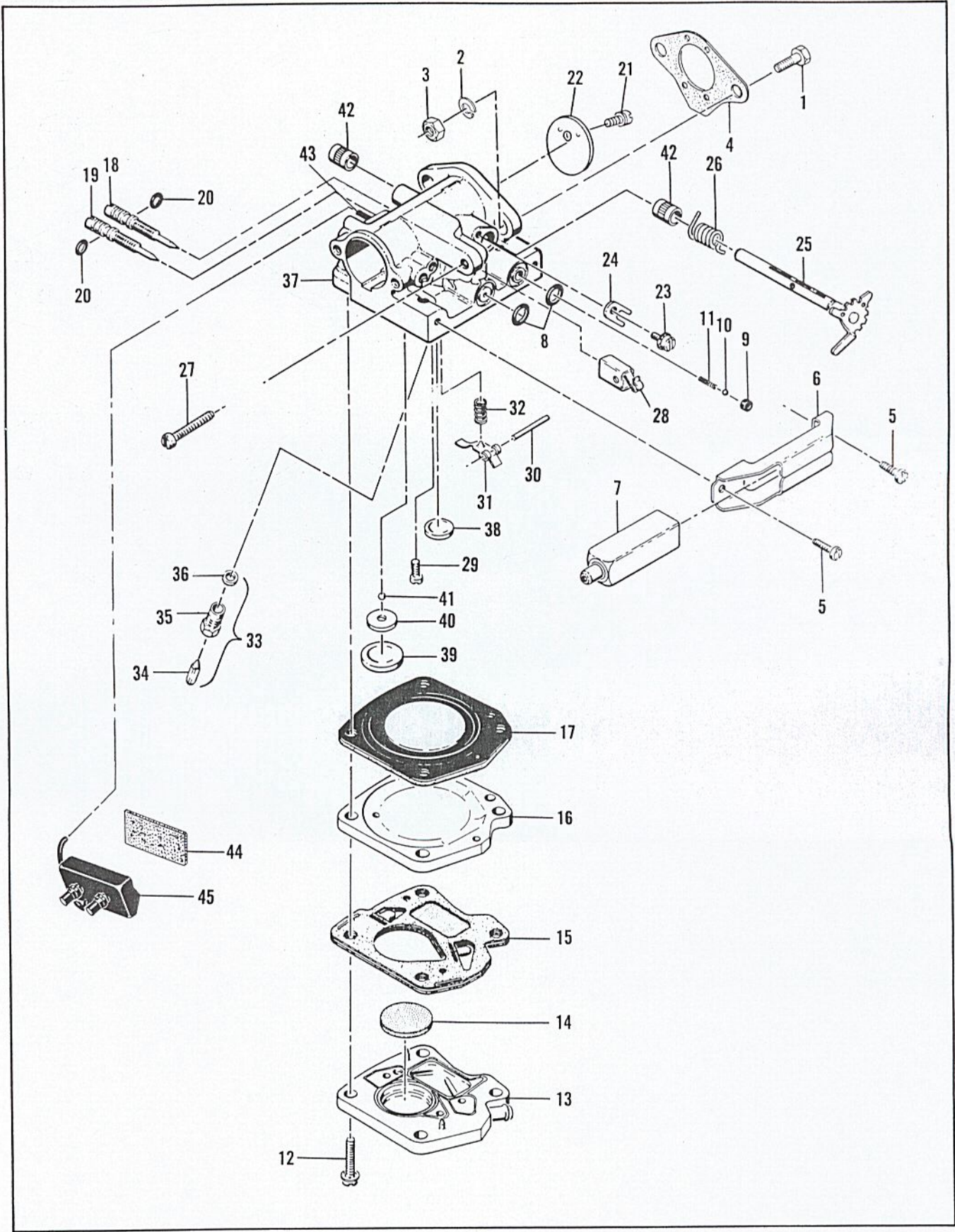


Figure 3. McCulloch Carburetor Assembly

FIGURE 3. CARBURETOR ASSEMBLY

Index No.	Part Number	Nomenclature	Units Per Assy
1	100882	Screw - Hex hd 1/4-20 x 3/4 in. lg	2
2	101476	Lockwasher - 1/4 in.	2
3	103242	Nut - Hex 1/4-20	2
4	51161E	Gasket - Carburetor	1
	61853B	Carburetor Assy - McCulloch.	1
5	110054	. Screw - Pan hd 6-32 x 3/8 in. lg	2
6	53440	. Bracket - Primer mounting	1
7	53449	. Primer Assy.	1
8	101056	. "O" Ring.	2
9	59480	. Seat - Primer valve	1
10	100302	. Ball - Steel 1/8 in. dia	1
11	28754	. Spring - Primer.	1
12	104520	. Screw - 10-24 x 7/8 in. lg (SEMS).	4
13	57667	. Body Assy - Fuel pump.	1
14	57277A	. Filter - Fuel pump.	1
15	57274B	. Diaphragm Assy - Fuel pump	1
16	48901	. Plate - Carburetor diaphragm	1
17	55067C	. Diaphragm - Carburetor	1
18	53948	. Needle - Idle adjustment	1
19	53311	. Needle - Main adjustment	1
20	104001	. "O" Ring.	2
21	104814	. Screw - Pan hd 4-40 x 1/4 in. lg (SEMS).	1
22	61360	. Plate - Throttle	1
23	110055	. Screw - 8-32 x 3/8 in. lg (SEMS).	1
24	55082	. Clip - Shaft.	1
25	61854A	. Shaft Assy - Throttle	1
26	61858	. Spring - Idle governor.	1
27	62910	. Screw - Idle adjustment.	1
28	61108	. Guide - Throttle rod.	1
29	104164	. Screw - Pan hd 4-40 x 1/4 in. lg	1
30	104305	. Pin - Lever.	1
31	55688	. Lever - Inlet control.	1
32	57172	. Spring - Inlet control	1
33	60163A	. Valve Set - Needle and body.	1
34	63038	. Needle - Inlet control	1
35	58969	. Body - Inlet control	1
36	55689	. Washer - Inlet control.	1
37	61364	. Body Assy - Carburetor	1
38	102758	. Plug - Expansion 1/2 in.	1
39	104407	. Plug - Expansion 1 in	1
	61155	. Set - Ball and seat	1
40	61152	. Seat - Ball valve	1
41	61151	. Ball - Valve	1
42	55062A	. Bushing - Body	2
43	47523	. Tube - Collector inlet.	1
44	58865	Absorber - Fuel.	1
45	63651	Collector Assy - Fuel	1

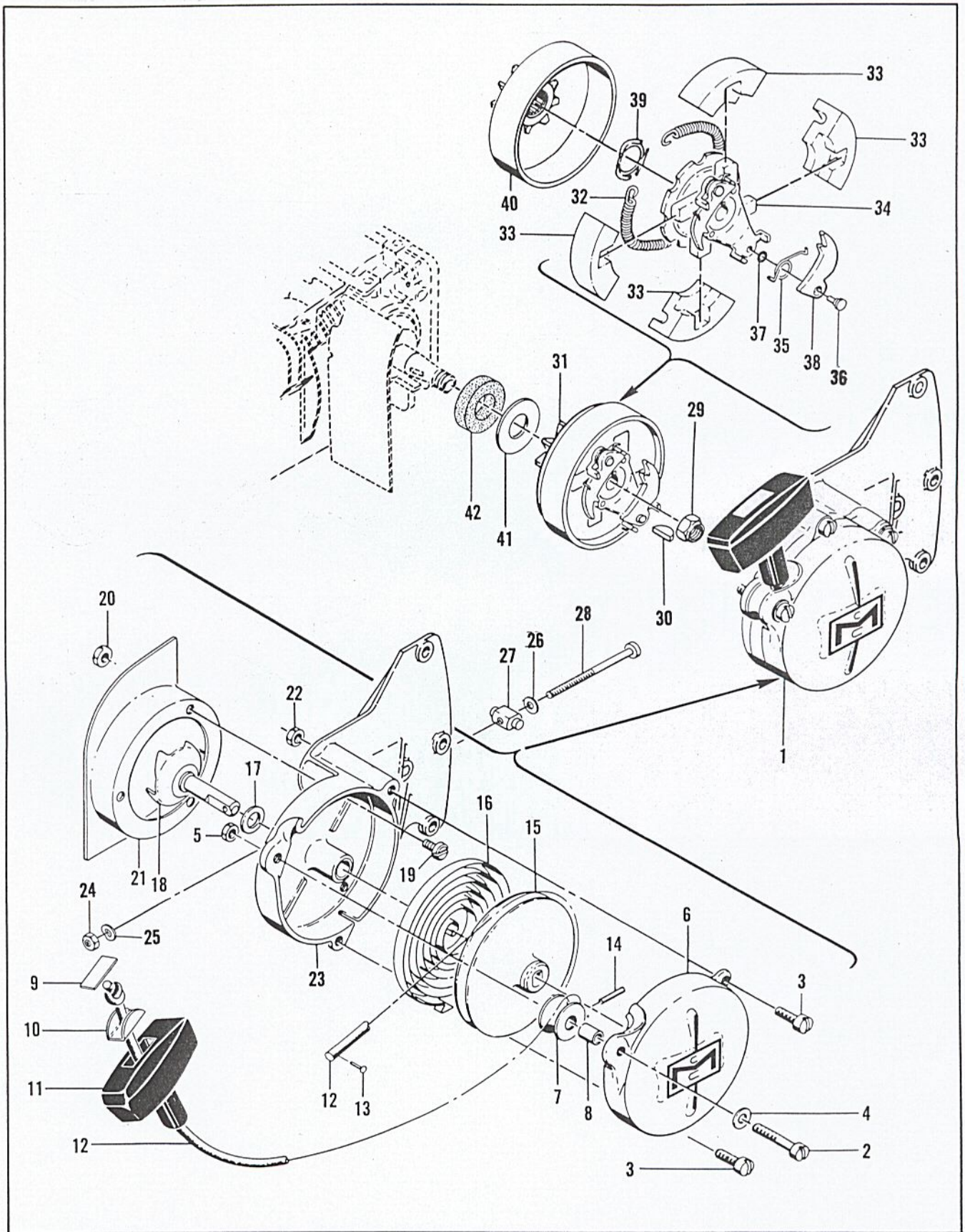


Figure 4. Starter and Clutch Assembly

FIGURE 4. STARTER AND CLUTCH ASSEMBLIES

Index No.	Part Number	Nomenclature	Units Per Assy
1	63645	Starter Assy	1
2	101284	. Screw - Fil hd 10-24 x 1-1/8 in. lg	1
3	103859	. Screw - Fil hd 10-24 x 3/4 in. lg	2
4	102189	. Washer	1
5	101191	. Nut - Hex 10-24	2
6	55024B	. Cover - Starter	1
7	51138	. Pulley - Starter rope	1
8	103536	. Bearing - Pulley	1
9	57232	. Plate - Starter handle	1
10	57231	. Cup - Starter handle	1
11	57230	. Handle - Starter	1
12	28716	. Rope - Starter	1
13	101136	. Rivet	1
14	103047	. Pin - Roll	1
15	55871	. Drum - Starter	1
16	51665	. Spring - Starter rewind	1
17	104457	. Washer	1
18	51923	. Shaft Assy - Starter	1
19	104071	. Screw - Pan hd 8-32 x 5/16 in. lg	3
20	100955	. Nut - Hex 8-32	3
21	63646	. Cover - Sawdust shield	1
22	101326	. Nut - Hex 10-24	2
23	57660A	. Starter Base Assy	1
24	100640	. Nut - Hex 1/4-28	1
25	102813	. Washer - Spring	1
26	100005	. Washer - Plain 1/4 in.	1
27	52207C	. Nut - Bar adjustment	1
28	104548	. Screw - 1/4-20 x 3-5/8 in. lg	1
29	103746	Nut - Flexloc	1
30	103879	Key - Woodruff	1
31	51470E	Clutch Assy	1
32	51468A	. Spring - Shoe retaining	1
33	51464A	. Shoe - Clutch	4
34	52175B	. Rotor Assy - Clutch	1
35	51910B	. . Spring - Pawl	2
36	60730	. . Pin - Special	2
37	60731	. . Spacer - Pawl	2
38	60729A	. . Pawl - Clutch	2
39	103718	Spring - Thrust	1
40		Sprocket, Clutch and Drum Assy (See Figure 5 for pitch sizes).	1
41	51420	Washer - Inner sprocket	1
42	57785A	Seal - Felt sprocket	1

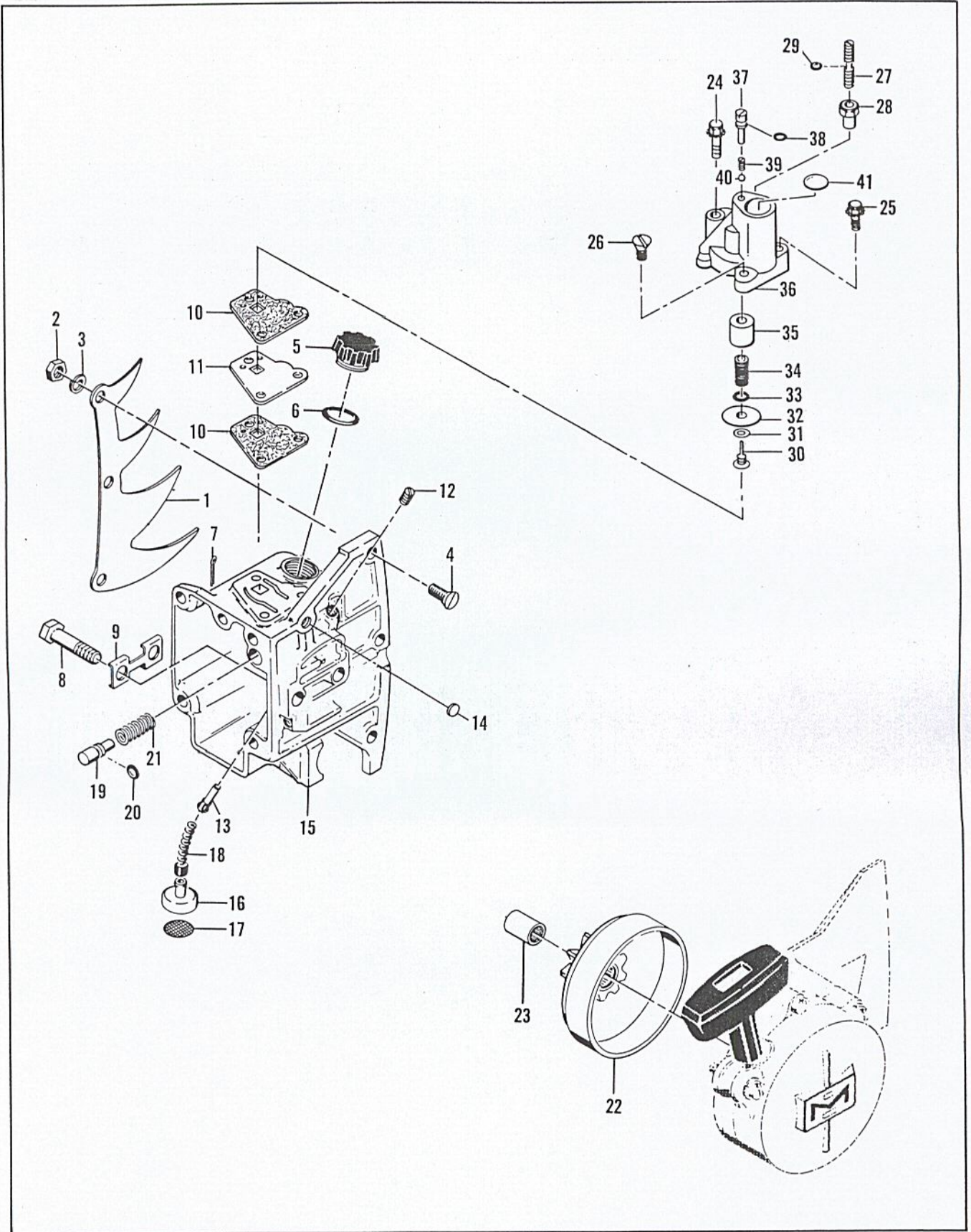


Figure 5. Chain Oiler Assemblies

FIGURE 5. CHAIN OILER ASSEMBLIES

Index No.	Part Number	Nomenclature	Units Per Assy
1	61331	Kit - Spike 4-tooth	1
2	100152	. Nut - Hex 1/4-20	3
3	100153	. Lockwasher.	3
4	102088	. Screw - Flat hd 1/4-20 x 3/4 in. lg	3
5	57129A	Cap - Oiler tank.	1
6	101148	"O" Ring - Oiler tank cap	1
7	104062	Pin - Cotter	1
	63060	Housing Assy - Oiler	1
8	51423B	. Bolt - Bar mounting	2
9	51439	. Plate - Lock	1
10	61473	. Gasket - Oil pump	2
11	61472	. Spacer - Pump body	1
12	104869	. Plug - Pipe 1/16-27	1
13	51982A	. Check Valve Assy - Oiler	1
14	105677	. Plug - Expansion 3/8 in.	1
15		. Housing - Oiler (Order Housing Assy #63060)	1
16	51505	Weight Assy - Oil line hose	1
17	51506	. Screen - Oil intake	1
18	28007	Hose - Flexible	1
	51947	Piston Assy - Oiler	1
19	51940	. Piston - Oiler	1
20	103198	. "O" Ring - Oiler piston	1
21	51946	. Spring - Oiler	1
	51774B	Sprocket, Clutch Drum and Bearing Assy (7 tooth - .404 pitch)	1
22	51775B	. Drum and Sprocket Assy	1
23	103688	. Bearing - Needle	1
	51178B	Sprocket and Clutch Drum Assy - 7/16 in. pitch - 7 tooth (alternate)	1
	51793B	Sprocket and Clutch Drum Assy - 1/2 in. pitch - 6 tooth (alternate)	1
24	110257	Screw - Hex hd 10-24 x 1-3/4 in. lg (SEMS)	1
25	104138	Screw - Hex hd 10-24 x 7/8 in. lg (SEMS)	1
26	110245	Screw - Fl hd 10-24 x 3/4 in. lg	1
	60253D	Pump Assy - Pulse.	1
27	62890	. Screw - Set 10-24 x 1-1/4 in. lg	1
28	60976	. Locknut - 10-24	1
29	104001	. "O" Ring.	1
30	60260A	. Piston Assy.	1
31	60937	. Washer.	1
32	60263	. Ring - Piston.	1
33	101758	. "O" Ring - Piston.	1
34	60259	. Spring - Piston	1
35	60258A	. Sleeve - Piston	1
36	60254D	. Body Assy - Pulse pump	1
37	60397A	. . Screw - Fil hd	1
38	60398B	. . Washer.	1
39	60396B	. . Spring - Ball check.	1
40	102809	. . Ball - Steel .093 dia	1
41	110157	. . Plug - Expansion 5/8 in.	1

FIGURE 6. POWERHEAD ASSEMBLY

Index No.	Part Number	Nomenclature	Units Per Assy
1	101965	Screw - Fil hd 10-24 x 7/8 in. lg.	2
2	100003	Washer.	2
3	63634	Retainer - Coil	1
4	51251	Lamination Assy - Coil.	1
5	63639	Wire Assy - Ground	1

This list is continued on page 13

MODEL 795

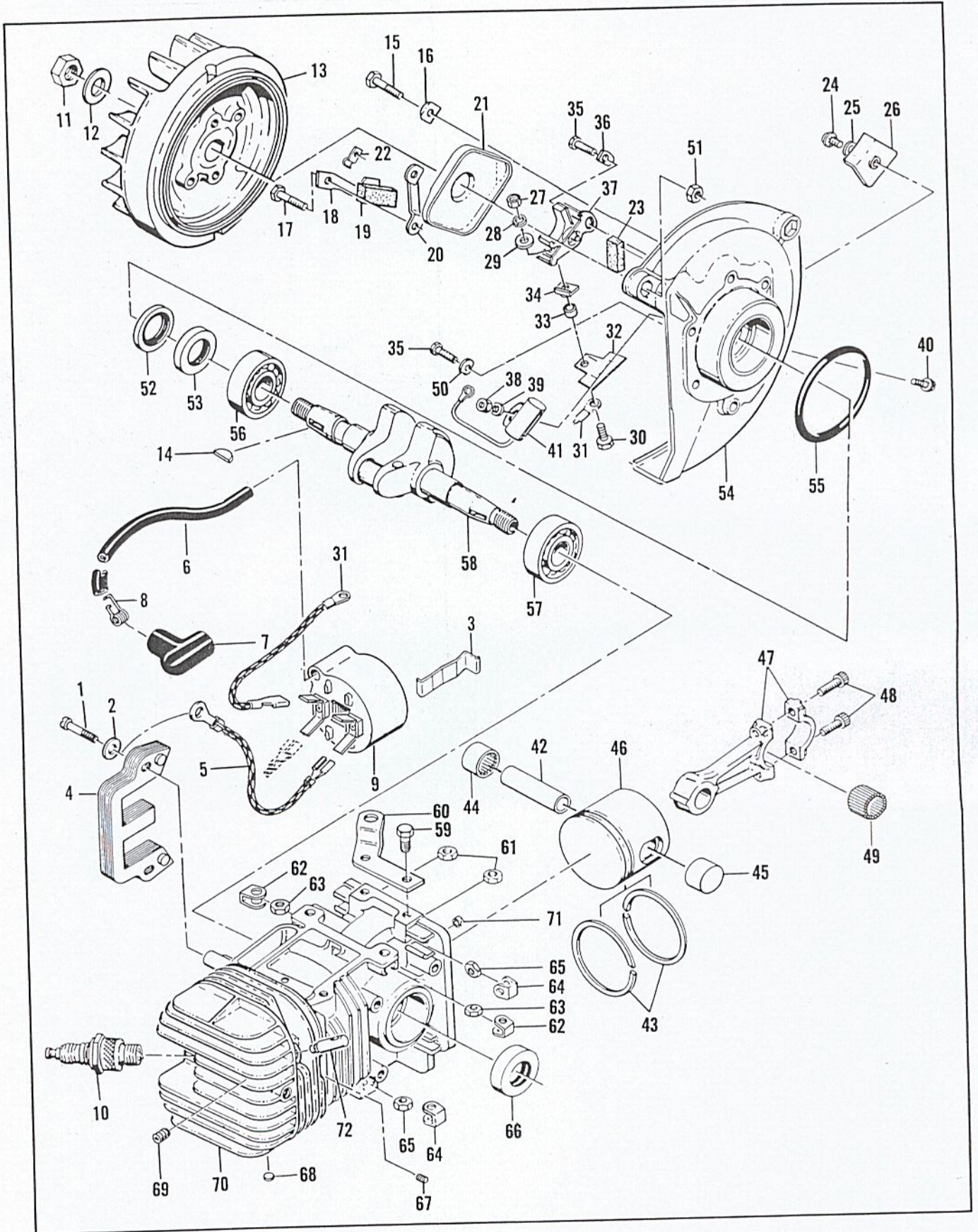


Figure 6. Powerhead Assembly

FIGURE 6. POWERHEAD ASSEMBLY (CONTINUED)

Index No.	Part Number	Nomenclature	Units Per Assy
	63637	Coil and Terminal Assy.	1
6	63640	. Wire Assy - Spark Plug.	1
7	62926	. . . Boot - Spark Plug.	1
8	62932	. . . Connector - Spark plug wire.	1
9		. . . Coil Assy (Order Coil and Terminal Assy #63637)	1
10	63097	Spark Plug - AC CS45T.	1
11	101179	Nut - Hex 7/16.	1
12	101270	Washer - Special	1
13	57825B	Flywheel Assy.	1
14	103879	Key - Woodruff	1
15	102763	Screw - Hex hd 10-24 x 3/4 in. lg	2
16	36388	Lockplate	1
17	102763	Screw - Hex hd 10-24 x 3/4 in. lg	4
18	57815	Strap - Seal.	1
19	50664	Seal - Breaker box drain.	1
20	55977	Clip - Breaker box cover.	2
21	55766B	Cover - Breaker box.	1
22	104230	Speednut.	1
23	54184	Wiper - Felt	1
24	110055	Screw - 8-32 x 3/8 in. lg (SEMS).	1
25	100080	Washer - Plain #8	1
26	57829	Clamp - Ignition wire	1
27	104551	Nut - Hex 8-32.	1
28	104553	Lockwasher.	1
29	100080	Washer - Plain #8	1
30	110338	Screw - Hex hd 8-32 x 9/16 in. lg	1
31	63628	Wire Assy - Primary	1
32	55782A	Insulator - Primary wire assy	1
33	57769	Insulator - Ignition screw	1
34	57770A	Insulator - Breaker spring.	1
35	104733	Screw - 8-32 x 1/2 in. lg (SEMS).	2
36	57767A	Lockplate	1
37	57765A	Breaker Assy	1
38	100955	Nut - Hex 8-32.	1
39	100057	Lockwasher - #8 int.	1
40	104733	Screw - 8-32 x 1/2 in. lg (SEMS).	1
41	61650	Condenser.	1
42	62866	Pin - Piston	1
	62877	Piston Assy (Also see Oversize Assys - Page 16)	1
43	58353	. . . Ring Set - Piston	1
44	62867	. . . Bearing - Needle	1
45	62868	. . . Bearing - Needle (Closed end)	1
46		. . . Piston (Order Piston Assy #62877)	1
47	47903	Connecting Rod Assy.	1
48	60210A	. . . Screw - Socket hd 10-32 x 5/8 in. lg	2
49	102742	. . . Roller - Needle	24
	57827A	Crankcase Cover Assy	1
50	55778E	. . . Washer - Breaker retainer	1
51	101326	. . . Nut - Hex 10-24.	2
52	57897	. . . Seal - Oil	1
53	57898	. . . Seal - Oil	1
54		. . . Cover - Crankcase. (Order Crankcase Cover Assy #57827A)	1
55	104523	"O" Ring.	1
56	100824	Bearing - Ball.	1
57	104490	Bearing - Ball.	1
58	58128	Crankshaft	1
59	102762	Screw - Hex hd 10-24 x 1/2 in. lg	2
60	53271	Bracket - Fuel tank mounting.	1
61	101326	Nut - Hex 10-24.	2

FIGURE 6. POWERHEAD ASSEMBLY (CONTINUED)

Index No.	Part Number	Nomenclature	Units Per Assy
	63629	Cylinder Assy - Crankcase	1
62	28053	. Retainer - Nut	2
63	101326	. Nut - Hex 10-24	2
64	18556A	. Retainer - Nut	6
65	105394	. Nut - Hex 1/4-20	6
66	57732	. Seal - Oil	1
67	110034	. Insert - Taplok	3
68	110340	. Plug - Expansion 1/2 in.	3
69	103614	. Screw - Skt hd 1/4-20 x 3/8 in. lg.	1
70		. Cylinder - Crankcase . (Order Cylinder - Crankcase Assy #63629)	1
71	57736	Seal - Pushrod.	1
72	63615	Valve - Compression release	1

FIGURE 7. HANDLE AND CONTROL ASSEMBLY

Index No.	Part Number	Nomenclature	Units Per Assy
1	55670	Grommet	2
	63661	Handle and Control Assy	1
2	55624A	. Grip - Handle	1
3	101326	. Nut - Hex 10-24	1
4	104484	. Screw - Set 8-32 x 1/4 in. lg	1
5	55968A	. Button - Primer control	1
6	55969A	. Button - Oiler control	1
7	51344A	. Shaft - Primer and oiler buttons	1
8	104501	. Retainer - Trigger pin	1
9	55674	. Spring - Trigger return	1
10	63663	. Trigger	1
11	50507	. Pin - Trigger	1
12	103672	. Screw - Fil hd 8-32 x 1/2 in. lg (SEMS)	1
13	63662	. Wire Assy - Stop switch	1
14	51279	. Contact - Switch	1
15	51555	. Insulator - Switch	1
16	51554A	. Detent - Switch	2
17	57718	. Button - Switch	1
18	55986	. Handle	1
19	53583A	Pushrod - Primer	1
20	51857B	Pushrod - Oiler	1
21	63665	Pushrod - Throttle	1

FIGURE 8. BAR AND CHAIN ASSEMBLIES

Index No.	Part Number	Nomenclature	Units Per Assy
1		Typical McCulloch Bar	1
2		Typical McCulloch Chain Assy	1
3		. Shoulder Rivet	
4		. Side Link	
5		. Cutter - L.H.	
6		. Cutter - R.H.	
7		. Center Link	
	61994	Kit - Bar Protector Plate	1
8	61995	. Plate - Bar protector L.H.	1
9	61996	. Plate - Bar protector R.H.	1



OVERSIZE AND OPTIONAL PISTON ASSEMBLIES

Part Number	Nomenclature
62878	Piston Assy - 2.228 in. dia.
58394	. Ring Set - 2.227 in. dia.
62879	Piston Assy - 2.238 in. dia.
58354	. Ring Set - 2.237 in. dia.
62880	Piston Assy - 2.248 in. dia.
58395	. Ring Set - 2.247 in. dia.
62883	Piston Assy - 2.218 in. dia. (wide rings)
62422	. Ring Set - 2.218 in. dia. (wide)
62884	Piston Assy - 2.248 in. dia. (wide rings)
62423	. Ring Set - 2.248 in. dia. (wide)

TOOLS AND ACCESSORIES

Part Number	Nomenclature
*51445A	Wrench and Screwdriver Combination
*101522	Wrench - Spark arrester
56625B	Chain Maintenance Manual
*63676	Owner's Manual of Operating Instructions

*Items furnished with each saw.

The policy of McCulloch Corporation is one of continual improvement in design, manufacturing and engineering advancement wherever possible to assure still finer two-cycle power tools. Hence, specifications, equipment, colors, design and manufacturer's suggested list prices are subject to change without notice and McCulloch Corporation reserves the right to make such changes without prior notification or obligation to backfit or supply backfit components for units previously shipped from the factory.