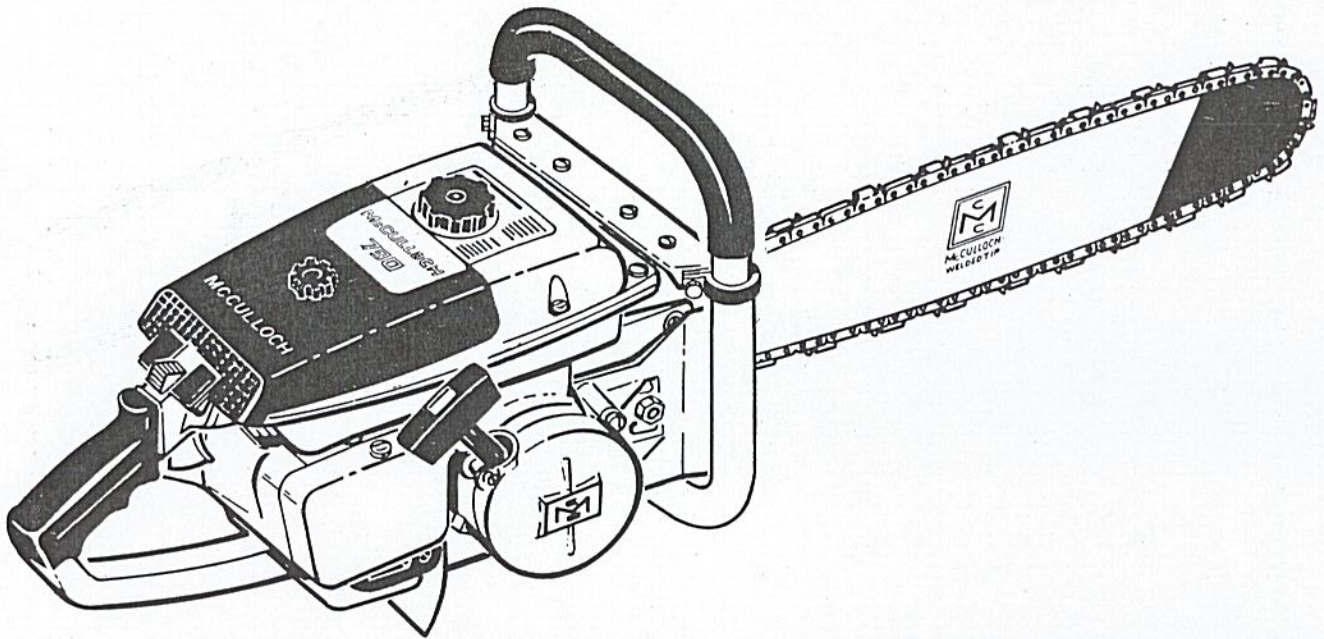


# ILLUSTRATED PARTS LIST

August 1964



The following pages contain an illustrated parts list for the Model 790 Chain Saw, Serial No. 1333 and up. It is important that the Serial Number of your saw be included whenever spare parts are ordered. The parts should also be compared visually with those illustrated in the parts list.

The McCulloch Corporation reserves the right to modify or change specifications without (1) prior notification or (2) obligation including the obligation to back-fit or supply back-fit components for units previously shipped from the factory.

	Page
Figure 1. Engine Exploded View - General . . . . .	2
Figure 2. Fuel System Components . . . . .	4
Figure 3. Starter and Clutch Assembly . . . . .	6
Figure 4. Chain Oiler Assemblies . . . . .	8
Figure 5. Powerhead Assembly . . . . .	10
Figure 6. Carburetor and Fuel Collector Assemblies . . . . .	12
Figure 7. Handle and Control Assembly . . . . .	14
Figure 8. Bar and Chain . . . . .	15



**McCULLOCH CORPORATION**  
8101 West Century Boulevard,  
Los Angeles 45, California



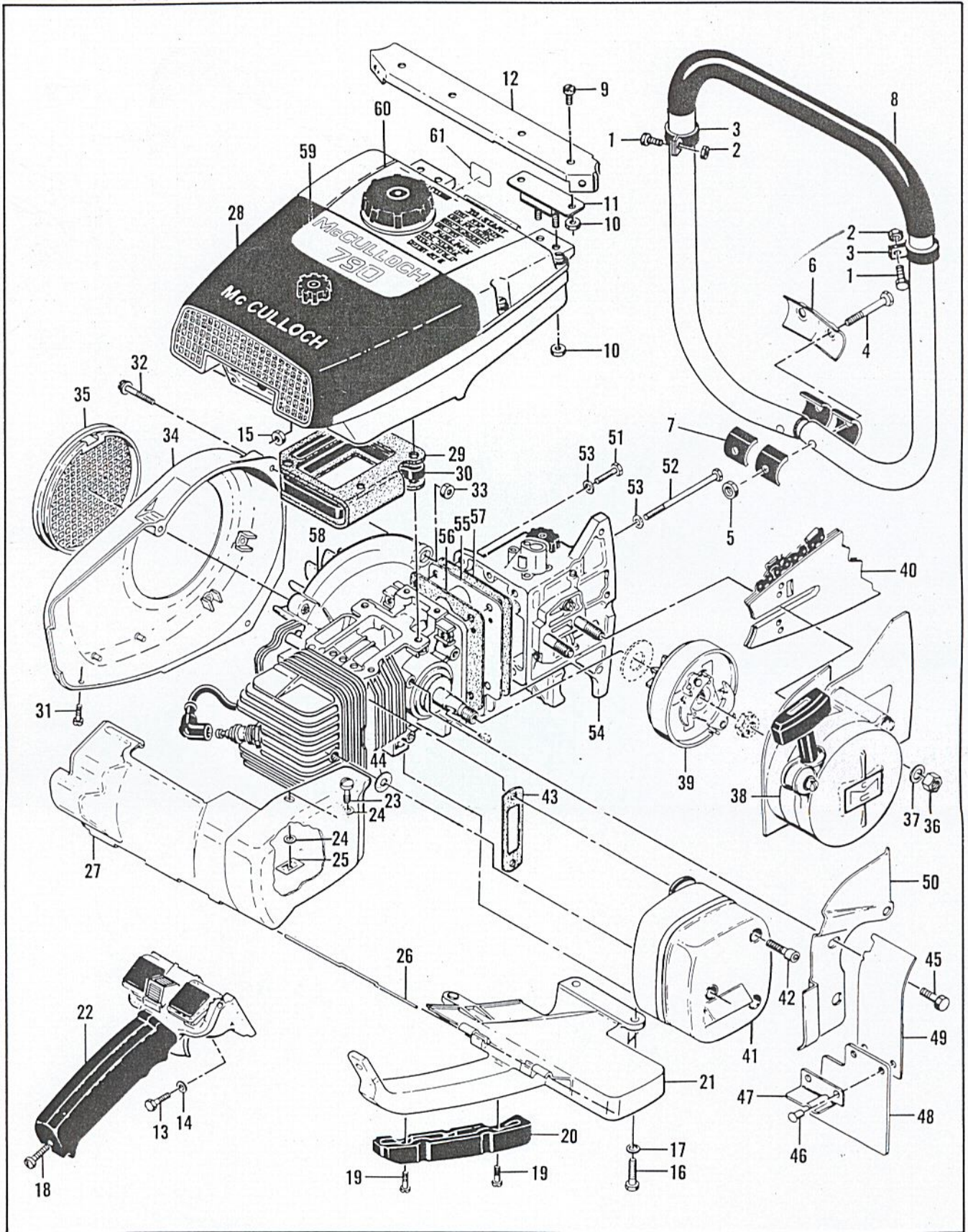


Figure 1. Engine Exploded View - General



FIGURE 1. ENGINE EXPLODED VIEW — GENERAL

Index No.	Part Number	Nomenclature	Units Per Assy
1	102761	Screw - Hex hd 10-24 x 7/8 in. lg	2
2	100239	Nut - Hex 10-24	2
3	103923	Clamp	2
4	102125	Screw - Hex hd 1/4-20 x 1-3/4 in. lg	2
5	101143	Nut - Hex 1/4-20	2
6	51362	Clamp - Frame	1
7	50062	Insulator	4
8	60231A	Frame and Grip Assy	1
9	104393	Screw - Pan hd 10-24 x 3/8 in. lg	4
10	101191	Nut - Hex 10-24	8
11	55606B	Mount - Shock	2
12	55637	Brace - Frame	1
13	102761	Screw - Hex hd 10-24 x 7/8 in. lg	2
14	102189	Washer - Plain #10	2
15	102067	Nut - Hex 10-24	2
16	102121	Screw - Hex hd 1/4-20 x 7/8 in. lg	2
17	100005	Washer - Plain 1/4 in.	2
18	104397	Screw - Pan hd 10-24 x 7/8 in. lg	1
19	104483	Screw - Bind hd 10-24 x 5/8 in. lg	2
20	55941	Insert - Handle	1
21	57872	Brace - Handle	1
22		Handle and Control Assy (See Figure 7)	1
23	51351	Screw - Special	1
24	100005	Washer - Plain 1/4 in.	2
25	103741	Speednut	1
26	55885	Pin - Shroud	1
27	55419A	Shroud Assy - Cylinder and spark arrester	1
28		Fuel System Components (See Figure 2)	1
29	53768A	Gasket - Fuel tank and insulator	1
30	53684A	Insulator	1
31	102500	Screw - Pan hd 10-24 x 1/2 in. lg	1
32	104816	Screw - 10-24 x 1-1/4 in. lg (SEMS)	3
33	101191	Nut - Hex 10-24	2
34	57733	Housing - Fan	1
35	55615	Guard - Flywheel	1
36	103729	Nut - Hex 3/8-24	2
37	100006	Washer - Plain 3/8 in.	2
38		Starter Assy (See Figure 3)	1
39		Clutch, Drum and Bearing Assy (See Figure 3)	1
40		Bar and Chain Assy (See Figure 8)	1
41	53480	Spark Arrester and Screw Assy	1
42	104895	. Screw - Socket hd 10-24 x 5/8 in. lg	3
43	53652	Gasket - Spark arrester	1
44	53651	Washer - Insulator	1
45	104133	Screw - 1/4-20 x 5/8 in. lg (SEMS)	3
	51991A	Guard Assy - Spark arrester	1
46	103819	. Rivet - 3/16 in. dia x 5/16 in. lg	2
47	55113	. Angle	1
48	55112	. Deflector	1
49	51990A	. Shield	1
50	55255	Jacket - Cylinder	1
51	103258	Screw - Hex hd 1/4-20 x 1-1/8 in. lg	2
52	102127	Screw - Hex hd 1/4-20 x 3-1/4 in. lg	2
53	100005	Washer - Plain 1/4 in.	4
54		Oiler Housing Assy (See Figure 4)	1
55	60251	Cover - Crankcase bottom	1
56	48909A	Gasket - Crankcase bottom cover	1
57	60252	Gasket - Oiler housing	1
58		Powerhead Assy (See Figure 5)	1
59	61220	Nameplate	1
60	60425A	Instruction Plate	1
61	59445	Decal - Oiler	1



MODEL  
790

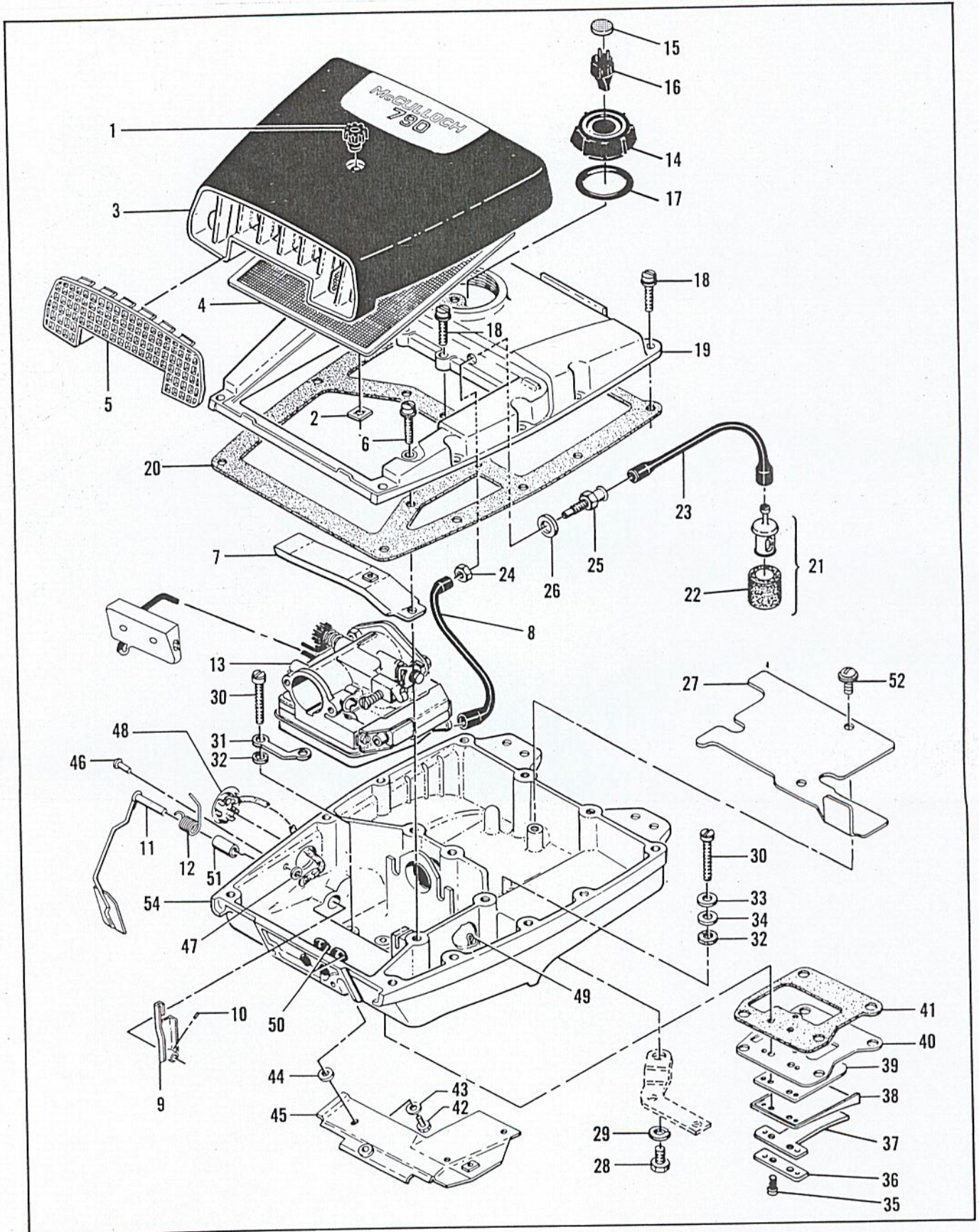


Figure 2. Fuel System Components

#61223A  
8-64 ①



FIGURE 2. FUEL SYSTEM COMPONENTS

Index No.	Part Number	Nomenclature	Units Per Assy
	60427	Cover Assy - Air cleaner . . . . .	1
1	60243	. Knob - Air cleaner cover . . . . .	1
2	103741	. Speednut . . . . .	1
3		. Cover - Air cleaner . . . . . (Order Assy #60427)	1
4	55498	Screen - Air cleaner . . . . .	1
5	55659	Grill - Air cleaner cover . . . . .	1
6	104396	Screw - Pan hd 10-24 x 3/4 in. lg . . . . .	1
7	55634	Anchor Assy - Air cleaner . . . . .	1
8	53678A	Hose - Fuel line . . . . .	1
9	61754	Lever Assy - Governor . . . . .	1
10	104154	. Screw - Set 8-32 x 1/4 in. lg . . . . .	1
11	55958	Arm Assy - Governor . . . . .	1
12	61757	Spring - Governor . . . . .	1
13		McCulloch Carburetor and Fuel Collector Assemblies (See Figure 6) . .	1
14	55934B	Cap Assy - Fuel . . . . .	1
15	55063	. Filter - Fuel cap . . . . .	1
16	53766A	. Valve - Fuel cap . . . . .	1
17	101348	"O" Ring - Fuel cap . . . . .	1
18	104396	Screw - Pan hd 10-24 x 3/4 in. lg . . . . .	14
19	53682	Cover - Fuel tank . . . . .	1
20	55627A	Gasket - Fuel tank . . . . .	1
21	53679B	Pickup Assy - Fuel . . . . .	1
22	61159	. Filter - Fuel pickup . . . . .	1
23	53678A	Hose - Fuel line . . . . .	1
24	100640	Nut - Hex 1/4-28 . . . . .	1
25	53675	Fitting - Fuel hose . . . . .	1
26	50832A	Washer - Sealing . . . . .	1
27	53837A	Liner - Fuel tank . . . . .	1
28	102151	Screw - Hex hd 1/4-20 x 1/2 in. lg . . . . .	1
29	100246	Lockwasher . . . . .	1
30	55948A	Screw - Fuel tank . . . . .	4
31	58376	Lockplate . . . . .	1
32	55636	Washer - Insulating . . . . .	4
33	102189	Washer . . . . .	2
34	103744	Washer - Sealing . . . . .	2
35	103740	Screw - Hex hd 8-32 x 7/8 in. lg . . . . .	2
36	51480	Lockplate . . . . .	1
37	57658	Clamp - Reed . . . . .	1
38	53686	Deflector - Fuel . . . . .	1
39	48593	Valve - Reed . . . . .	1
40	53685A	Plate - Reed . . . . .	1
41	58328B	Gasket . . . . .	1
42	102941	Screw - Hex hd 10-24 x 1/2 in. lg . . . . .	3
43	102189	Washer . . . . .	3
44	55636	Washer - Insulating . . . . .	2
45	55907A	Shield Assy - Fuel tank . . . . .	1
	61533	Bottom Assy - Fuel tank . . . . .	1
46	104504	. Rivet . . . . .	1
47	101871	. Washer - Plain . . . . .	1
48	51396A	. Cover Assy - Adjustment hole . . . . .	1
49	104310	. Pin - Cotter . . . . .	1
50	60237	. Grommet . . . . .	2
51	103708	. Bushing . . . . .	1
52	110054	. Screw - Pan hd 6-32 x 3/8 in. lg (SEMS) . . . . .	2
53		. Fuel Tank - Bottom . . . . . (Order Fuel Tank Bottom Assy #61533)	1



MODEL  
790

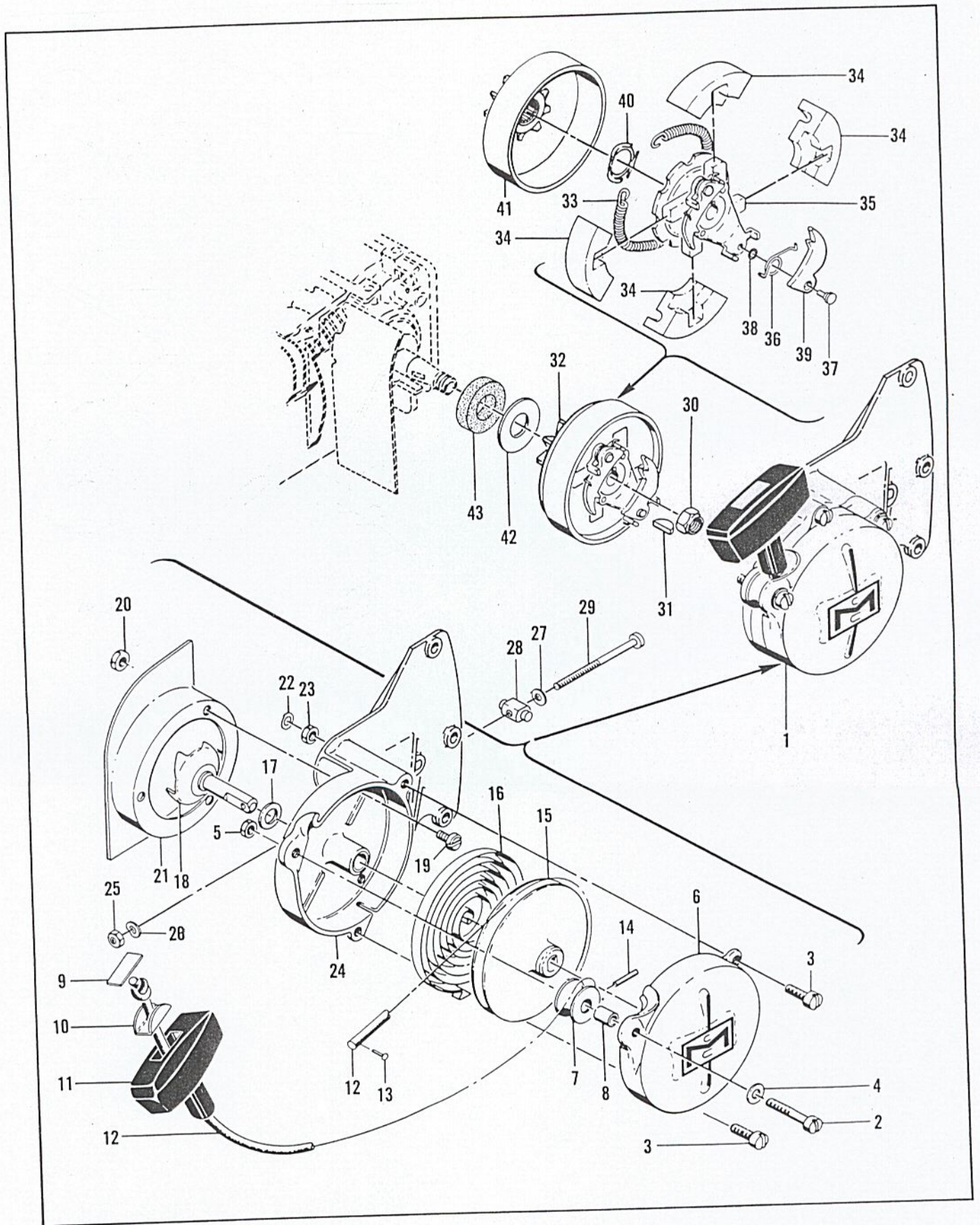


Figure 3. Starter and Clutch Assembly

#61223A  
8-64 ①



FIGURE 3. STARTER AND CLUTCH ASSEMBLY

Index No.	Part Number	Nomenclature	Units Per Assy
1	57661A	Starter Assy . . . . .	1
2	101284	. Screw - Fil hd 10-24 x 1-1/8 in. lg . . . . .	1
3	103859	. Screw - Fil hd 10-24 x 3/4 in. lg . . . . .	2
4	102189	. Washer . . . . .	1
5	101191	. Nut - Hex 10-24 . . . . .	2
6	55024B	. Cover - Starter . . . . .	1
7	51138	. Pulley - Starter rope . . . . .	1
8	103536	. Bearing - Pulley . . . . .	1
9	57232	. Plate - Starter handle . . . . .	1
10	57231	. Cup - Starter handle . . . . .	1
11	57230	. Handle - Starter . . . . .	1
12	28716	. Rope - Starter . . . . .	1
13	101136	. Rivet . . . . .	1
14	103047	. Pin - Roll . . . . .	1
15	55871	. Drum - Starter . . . . .	1
16	51665	. Spring - Starter rewind . . . . .	1
17	104457	. Washer . . . . .	1
18	51923	. Shaft Assy - Starter . . . . .	1
19	104071	. Screw - Pan hd 8-32 x 5/16 in. lg . . . . .	3
20	100955	. Nut - Hex 8-32 . . . . .	3
21	51459A	. Cover - Sawdust shield . . . . .	1
22	28935	. Retainer . . . . .	1
23	101191	. Nut - Hex 10-24 . . . . .	1
24	57660A	. Starter Base Assy . . . . .	1
25	100640	. Nut - Hex 1/4-28 . . . . .	1
26	102813	. Washer - Spring . . . . .	1
27	100005	. Washer - Plain 1/4 in . . . . .	1
28	52207C	. Nut - Bar adjustment . . . . .	1
29	104548	. Screw - 1/4-20 x 3-5/8 in. lg . . . . .	1
30	103746	Nut - Flexloc . . . . .	1
31	103879	Key - Woodruff . . . . .	1
32	51470E	Clutch Assy . . . . .	1
33	51468A	. Spring - Shoe retaining . . . . .	1
34	51464A	. Shoe - Clutch . . . . .	4
35	52175B	. Rotor Assy - Clutch . . . . .	1
36	51910A	. . Spring - Pawl . . . . .	2
37	60730	. . Pin - Special . . . . .	2
38	60731	. . Spacer - Pawl . . . . .	2
39	60729A	. . Pawl - Clutch . . . . .	2
40	103718	Spring - Thrust . . . . .	1
41		Sprocket, Clutch and Drum Assy (See Figure 4 for pitch sizes) . . . . .	1
42	51420	Washer - Inner sprocket . . . . .	1
43	57785A	Seal - Felt sprocket . . . . .	1



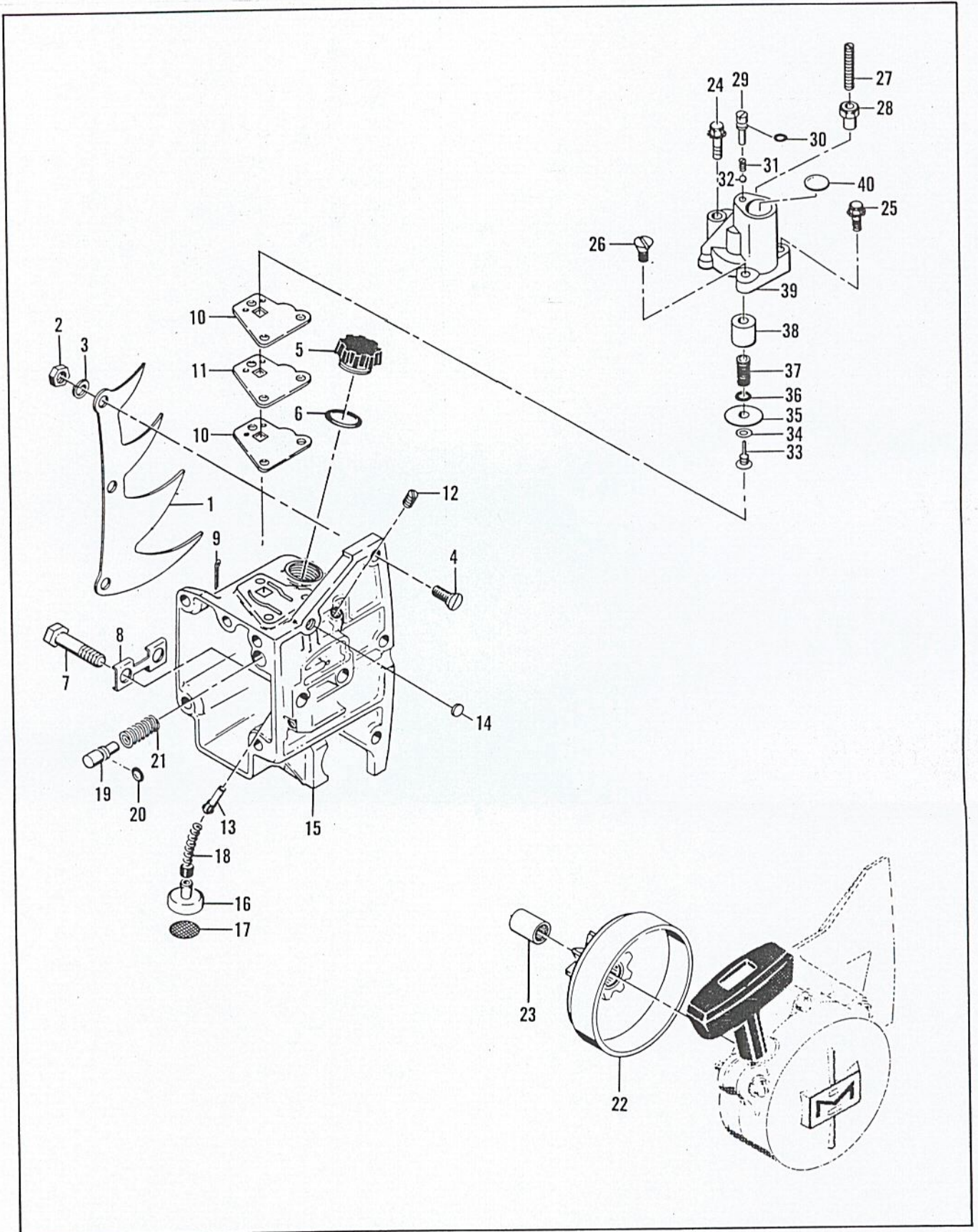


Figure 4. Chain Oiler Assemblies



FIGURE 4. CHAIN OILER ASSEMBLIES

Index No.	Part Number	Nomenclature	Units Per Assy
1	61331	Kit - Spike 4-tooth . . . . .	1
2	100152	. Nut - Hex 1/4-20 . . . . .	3
3	100153	. Lockwasher . . . . .	3
4	102088	. Screw - Flat hd 1/4-20 x 3/4 in. lg . . . . .	3
5	57129A	Cap - Oiler tank . . . . .	1
6	101148	"O" Ring - Oiler tank cap. . . . .	1
7	51423B	Bolt - Bar mounting . . . . .	2
8	51439	Plate - Lock . . . . .	1
9	104062	Pin - Cotter . . . . .	1
	60366B	Housing Assy - Oiler . . . . .	1
10	61473	. Gasket - Oil pump . . . . .	2
11	61472	. Spacer - Pump body . . . . .	1
12	104869	. Plug - Pipe 1/16-27 . . . . .	1
13	51982A	. Check Valve Assy - Oiler . . . . .	1
14	105677	. Plug - Expansion 3/8 in. . . . .	1
15		. Housing - Oiler . . . . . (Order Housing Assy #60366B)	1
16	51505	Weight Assy - Oil line hose . . . . .	1
17	51506	. Screen - Oil intake . . . . .	1
18	28007	Hose - Flexible . . . . .	1
	51947	Piston Assy - Oiler . . . . .	1
19	51940	. Piston - Oiler . . . . .	1
20	103198	. "O" Ring - Oiler piston . . . . .	1
21	51946	. Spring - Oiler . . . . .	1
	*51774B	Sprocket, Clutch Drum and Bearing Assy (7 tooth - .404 pitch) . . . . .	1
22	51775B	. Drum and Sprocket Assy . . . . .	1
23	103688	. Bearing - Needle . . . . .	1
	**51178B	Sprocket and Clutch Drum Assy - 7/16 in. pitch - 7 tooth (alternate) . . . . .	1
	***51793B	Sprocket and Clutch Drum Assy - 1/2 in. pitch - 6 tooth (alternate) . . . . .	1
	****59850	Sprocket and Clutch Drum Assy - (Auto-Mac chain) (alternate) . . . . .	1
24	110257	Screw - Hex hd 10-24 x 1-3/4 in. lg (SEMS) . . . . .	1
25	110127	Screw - Hex hd 10-24 x 7/8 in. lg (SEMS) . . . . .	1
26	110245	Screw - Fl hd 10-24 x 3/4 in. lg . . . . .	1
	60253B	Pump Assy - Pulse . . . . .	1
27	110202	. Screw - Set 10-24 x 1-1/4 in. lg . . . . .	1
28	60976	. Locknut - 10-24 . . . . .	1
29	60397	. Screw - Fil hd . . . . .	1
30	60398A	. Washer . . . . .	1
31	60396A	. Spring - Ball check . . . . .	1
32	102809	. Ball - Steel .093 dia . . . . .	1
33	60260A	. Piston Assy . . . . .	1
34	60937	. Washer . . . . .	1
35	60263	. Ring - Piston . . . . .	1
36	101758	. "O" Ring - Piston . . . . .	1
37	60259	. Spring - Piston . . . . .	1
38	60258	. Sleeve - Piston . . . . .	1
39	60254B	. Body Assy - Pulse pump . . . . .	1
40	110157	. Plug - Expansion 5/8 in. . . . .	1

\*Use only with .404 inch pitch chain  
 \*\*Use only with 7/16 inch pitch chain  
 \*\*\*Use only with 1/2 inch pitch chain  
 \*\*\*\*Use only with Auto-Mac chain



MODEL  
790

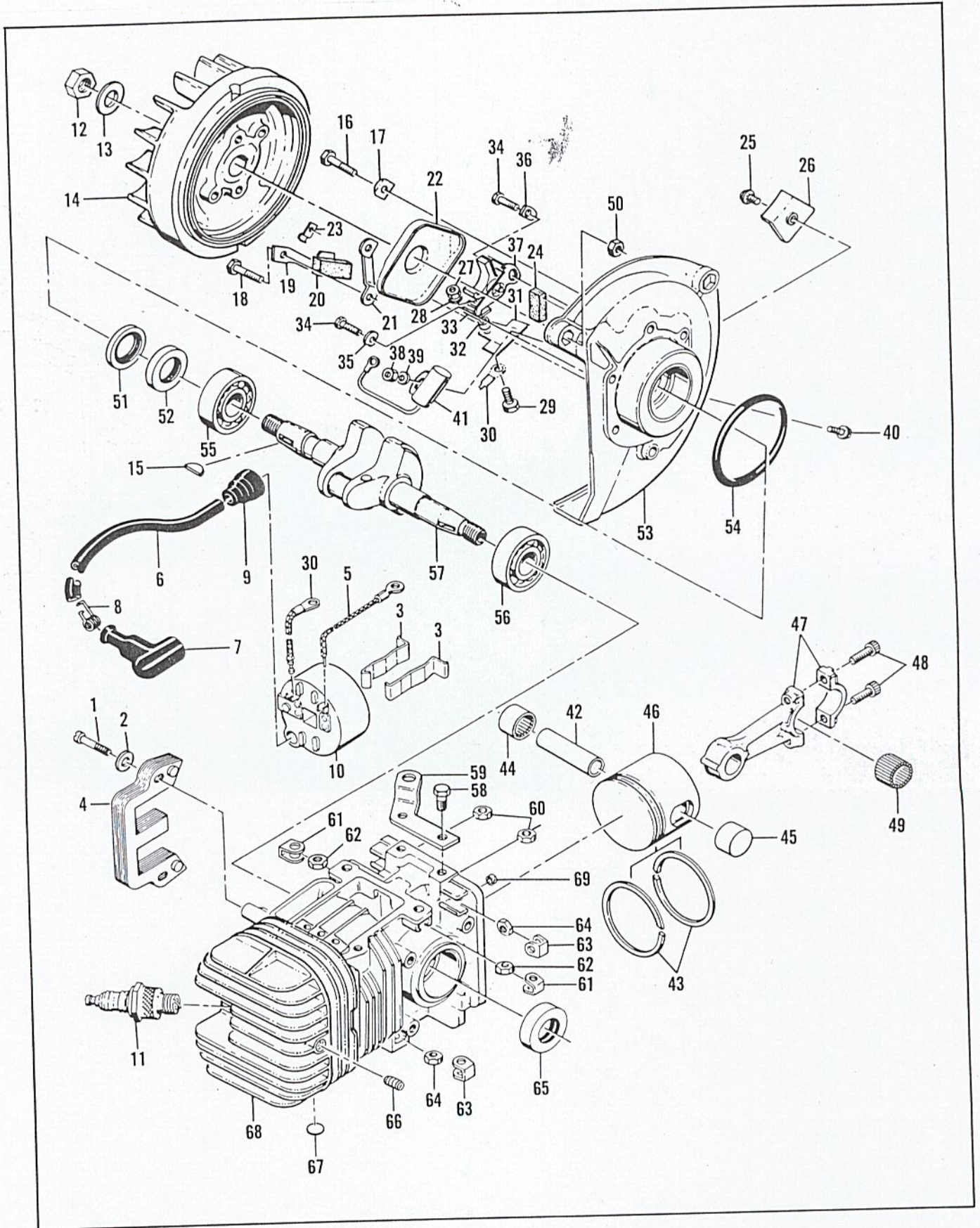


Figure 5. Powerhead Assembly

#61223A  
8-64 ①



FIGURE 5. POWERHEAD ASSEMBLY

Index No.	Part Number	Nomenclature	Units Per Assy
1	101965	Screw - Fil hd 10-24 x 7/8 in. lg . . . . .	2
2	100003	Washer . . . . .	2
3	51253	Retainer - Coil . . . . .	2
4	51251	Lamination Assy - Coil . . . . .	1
	55949A	Coil and Terminal Assy . . . . .	1
5	101883	. Wire Assy - Ground . . . . .	1
6	52547	. Wire Assy - Spark Plug . . . . .	1
7	55060	. . Boot - Spark Plug . . . . .	1
8	55061	. . Connector - Spark plug wire . . . . .	1
9	55617	. Nipple - Spark plug . . . . .	1
10		. Coil Assy . . . . . (Order Coil and Terminal Assy #55949A)	1
11		Plug - Spark 14 mm . . . . .	1
12	101179	Nut - Hex 7/16 . . . . .	1
13	101270	Washer - Special . . . . .	1
14	57825B	Flywheel Assy . . . . .	1
15	103879	Key - Woodruff . . . . .	1
16	102763	Screw - Hex hd 10-24 x 3/4 in. lg . . . . .	2
17	36388	Lockplate . . . . .	1
18	102763	Screw - Hex hd 10-24 x 3/4 in. lg . . . . .	4
19	57815	Strap - Seal . . . . .	1
20	50664	Seal - Breaker box drain . . . . .	1
21	55977	Clip - Breaker box cover . . . . .	2
22	55766B	Cover - Breaker box . . . . .	1
23	104230	Speednut . . . . .	1
24	54184	Wiper - Felt . . . . .	1
25	110055	Screw - 8-32 x 3/8 in. lg (SEMS) . . . . .	1
26	57829	Clamp - Ignition wire . . . . .	1
27	104551	Nut - Hex 8-32 . . . . .	1
28	104553	Lockwasher . . . . .	1
29	103748	Screw - Hex hd 8-32 x 1/2 in. lg . . . . .	1
30	57766	Wire Assy - Primary . . . . .	1
31	55782	Insulator - Primary wire assy . . . . .	1
32	57769	Insulator - Ignition screw . . . . .	1
33	57770A	Insulator - Breaker spring . . . . .	1
34	104733	Screw - 8-32 x 1/2 in. lg (SEMS) . . . . .	2
35	57767A	Lockplate . . . . .	1
36	55778C	Washer - Breaker retainer . . . . .	1
37	57765A	Breaker Assy . . . . .	1
38	100955	Nut - Nex 8-32 . . . . .	1
39	100080	Washer - Plain #8 . . . . .	1
40	104733	Screw - 8-32 x 1/2 in. lg (SEMS) . . . . .	1
41	50074	Condenser . . . . .	1
42	58132	Pin - Piston . . . . .	1
	58666	Piston Assy . . . . . (Also see Oversize Assys - Page 15)	1
43	58353	. Ring Set - Piston . . . . .	1
44	101206	. Bearing - Needle . . . . .	1
45	104378	. Bearing - Needle (Closed end) . . . . .	1
46		. Piston . . . . . (Order Piston Assy #58666)	1
47	47782A	Connecting Rod Assy . . . . .	1
48	60210A	. Screw - Socket hd 10-32 x 5/8 in. lg . . . . .	2
49	102742	. Roller - Needle . . . . .	24
	57827	Crankcase Cover Assy . . . . .	1
50	101326	. Nut - Hex 10-24 . . . . .	2
51	57897	. Seal - Oil . . . . .	1
52	57898	. Seal - Oil . . . . .	1
53		. Cover - Crankcase . . . . . (Order Crankcase Cover Assy #57827)	1
54	104523	"O" Ring . . . . .	1
55	100824	Bearing - Ball . . . . .	1
56	104490	Bearing - Ball . . . . .	1
57	58128	Crankshaft . . . . .	1
58	102762	Screw - Hex hd 10-24 x 1/2 in. lg . . . . .	2
59	53271	Bracket - Fuel tank mounting . . . . .	1
60	101326	Nut - Hex 10-24 . . . . .	2
	61209	Cylinder Assy - Crankcase . . . . .	1
	28053	. Retainer - Nut . . . . .	2
62	101326	. Nut - Hex 10-24 . . . . .	2
63	18556A	. Retainer - Nut . . . . .	6
64	101143	. Nut - Hex 1/4-20 . . . . .	6
65	57732	. Seal - Oil . . . . .	1
66	110034	. Insert - Taplok . . . . .	3
67	110179	. Plug - Expansion 1/2 in. . . . .	3
68		. Cylinder - Crankcase . (Order Cylinder - Crankcase Assy #61209)	1
69	57736	Seal - Pushrod . . . . .	1



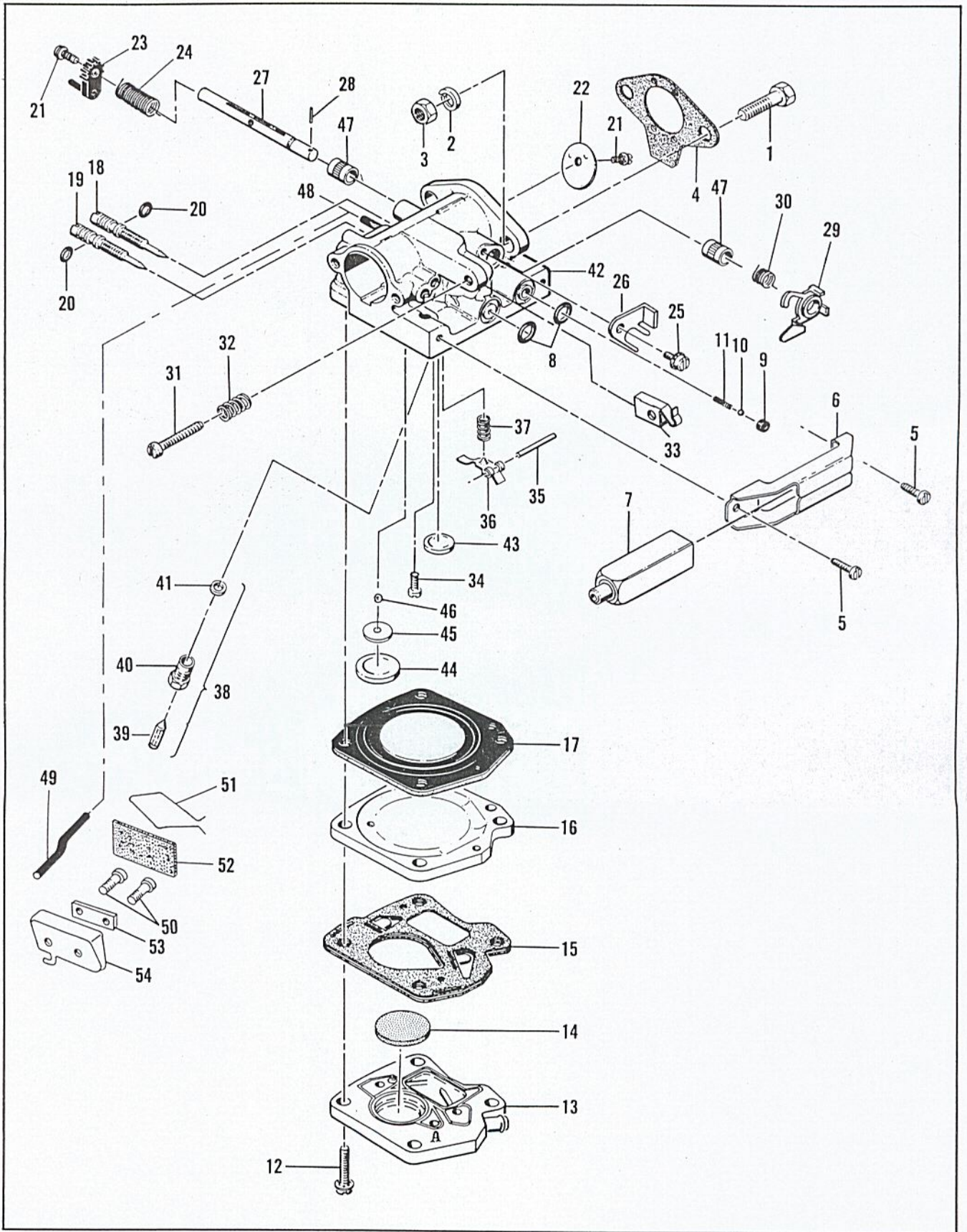


Figure 6. Carburetor and Fuel Collector Assemblies



FIGURE 6. CARBURETOR AND FUEL COLLECTOR ASSEMBLIES

Index No.	Part Number	Nomenclature	Units Per Assy
1	100882	Screw - Hex hd 1/4-20 x 3/4 in. lg	2
2	101476	Lockwasher - 1/4 in.	2
3	103242	Nut - Hex 1/4-20	2
4	51161D	Gasket - Carburetor	1
	61759	Carburetor Assy - McCulloch	1
5	110054	. Screw - Pan hd 6-32 x 3/8 in. lg	2
6	53440	. Bracket - Primer mounting	1
7	53449	. Primer Assy	1
8	101056	. "O" Ring	2
9	59480	. Seat - Primer valve	1
10	100302	. Ball - Steel 1/8 in. dia	1
11	28754	. Spring - Primer	1
12	104520	. Screw - 10-24 x 7/8 in. lg (SEMS)	4
13	57667	. Body Assy - Fuel pump	1
14	57277	. Filter - Fuel pump	1
15	57274B	. Diaphragm Assy - Fuel pump	1
16	48901	. Plate - Carburetor diaphragm	1
17	55067C	. Diaphragm - Carburetor	1
18	53948	. Needle - Idle adjustment	1
19	53311	. Needle - Main adjustment	1
20	104001	. "O" Ring	2
21	104814	. Screw - Pan hd 4-40 x 1/4 in. lg (SEMS)	2
22	61360	. Plate - Throttle	1
23	61901	. Arm - Throttle shaft	1
24	61895	. Spring - Idle governor	1
25	110055	. Screw - 8-32 x 3/8 in. lg (SEMS)	1
26	61891	. Clip - Shaft	1
27	61920	. Shaft and Pin Assy	1
28	110301	. Pin - Groove	1
29	61894	. Cam Assy	1
30	61906	. Spring - Cam	1
31	61119	. Screw - Fil hd 8-36 x 15/16 in. lg	1
32	51705	. Spring - Idle screw	1
33	61108	. Guide - Throttle rod	1
34	104164	. Screw - Pan hd 4-40 x 1/4 in. lg	1
35	104305	. Pin - Lever	1
36	55688	. Lever - Inlet control	1
37	57172	. Spring - Inlet control	1
38	60163A	. Valve Set - Needle and body	1
39	59710	. Needle - Inlet control	1
40	58969	. Body - Inlet control	1
41	55689	. Washer - Inlet control	1
42	61364	. Body Assy - Carburetor	1
43	102758	. Plug - Expansion 1/2 in.	1
44	104407	. Plug - Expansion 1 in.	1
45	61152	. Seat - Ball valve	1
46	61151	. Ball - Valve	1
47	55062A	. Bushing - Body	2
48	47523	. Tube - Collector inlet	1
49	58869A	Hose - Fuel collector	1
50	110061	Screw - Pan hd 8-32 x 3/8 in. lg	2
51	58920A	Retainer - Fuel absorber	1
52	58865	Absorber - Fuel	1
53	58864	Plate - Retaining	1
54	58863A	Collector Assy - Fuel	1



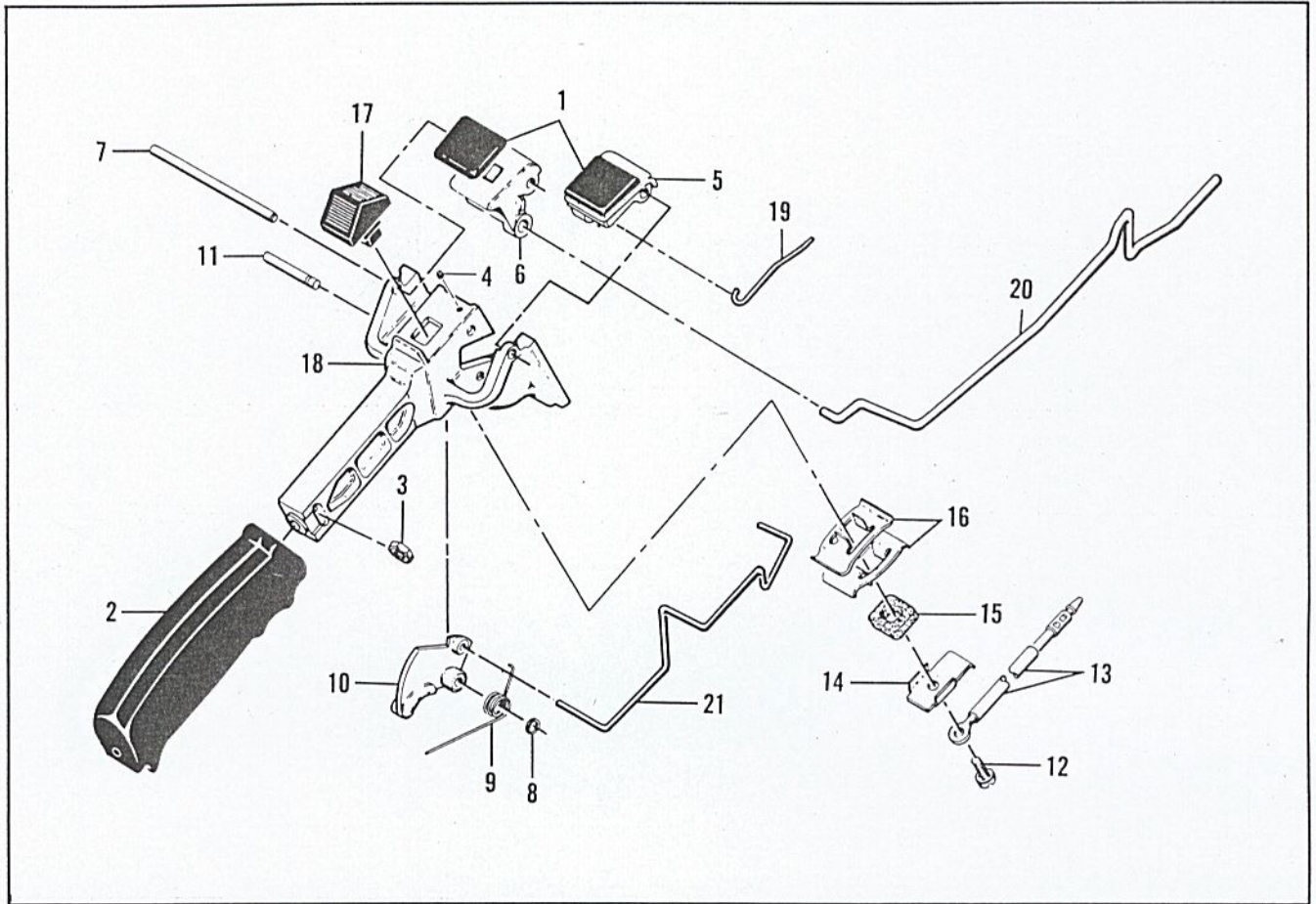


FIGURE 7. HANDLE AND CONTROL ASSEMBLY

Index No.	Part Number	Nomenclature	Units Per Assy
1	55670	Grommet . . . . .	2
	53245	Handle and Control Assy . . . . .	1
2	55624A	. Grip - Handle . . . . .	1
3	101326	. Nut - Hex 10-24 . . . . .	1
4	104484	. Screw - Set 8-32 x 1/4 in. lg . . . . .	1
5	55968A	. Button - Primer control . . . . .	1
6	55969A	. Button - Oiler control . . . . .	1
7	51344A	. Shaft - Primer and oiler buttons . . . . .	1
8	104501	. Retainer - Trigger pin . . . . .	1
9	55674	. Spring - Trigger return . . . . .	1
10	55616	. Trigger . . . . .	1
11	50507	. Pin - Trigger . . . . .	1
12	110055	. Screw - Fil hd 8-32 x 3/8 in. lg (SEMS) . . . . .	1
13	51492A	. Wire Assy - Primary . . . . .	1
14	51279	. Contact - Switch . . . . .	1
15	51555	. Insulator - Switch . . . . .	1
16	51554A	. Detent - Switch . . . . .	2
17	57718	. Button - Switch . . . . .	1
18	55986	. Handle . . . . .	1
19	53583A	Pushrod - Primer . . . . .	1
20	51857B	Pushrod - Oiler . . . . .	1
21	61907	Pushrod - Throttle . . . . .	1



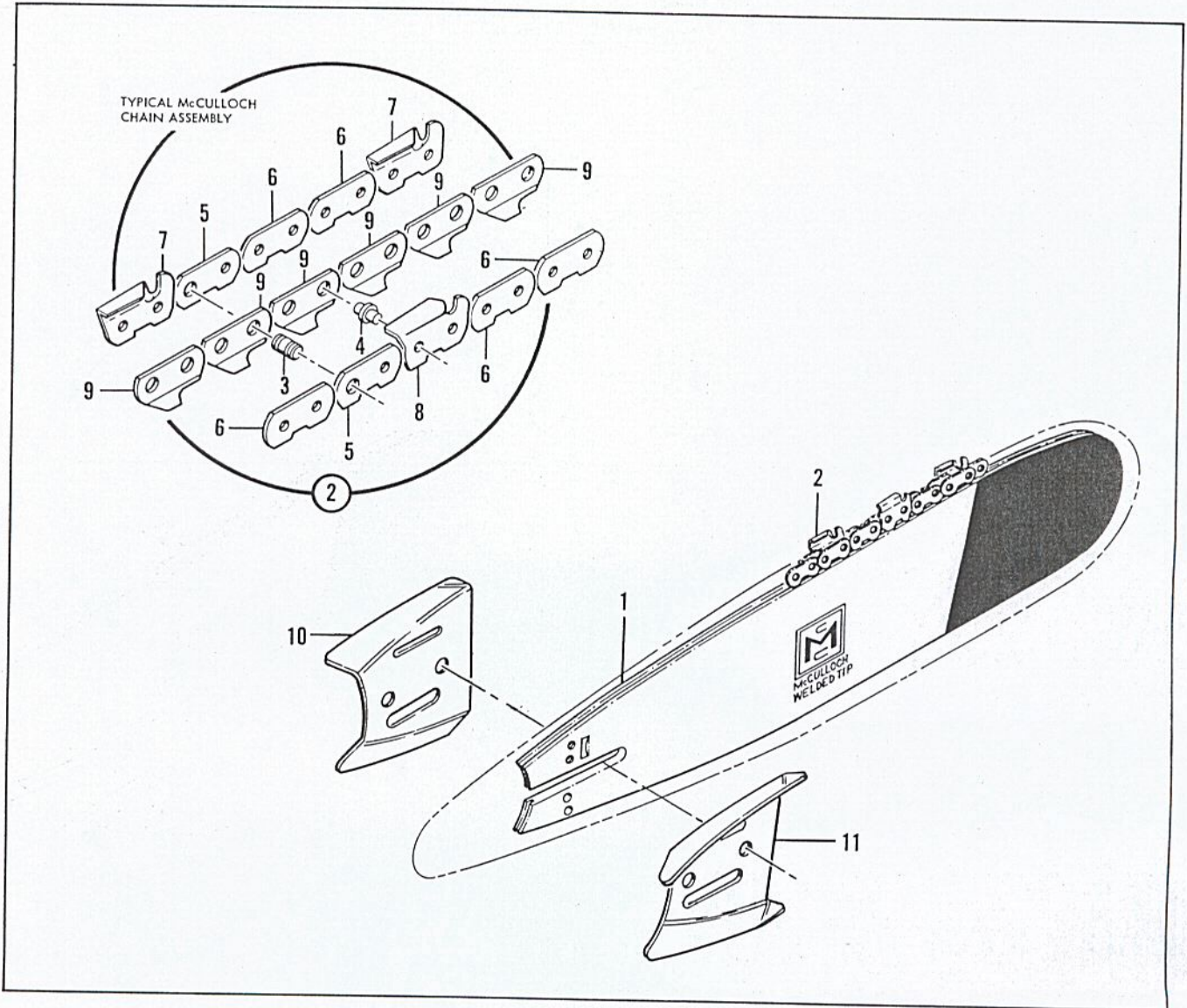


FIGURE 8. BAR AND CHAIN

Index No.	Part Number	Nomenclature	Units Per Assy
1	51405A 51407A 51409A	Bar - 18 in. (alternate) ..... Bar - 24 in. (alternate) ..... Bar - 30 in. (alternate) .....	1 1 1
2		Typical McCulloch Chain Assy .....	1
3		. Master Pin .....	1
4		. Shoulder Rivet .....	
5		. Master Link .....	
6		. Side Link .....	
7		. Cutter - L. H. ....	
8		. Cutter - R. H. ....	
9		. Center Link .....	
	61994	Kit - Bar Protector Plate .....	
10	61995	. Plate - Bar protector L. H. ....	1
11	61996	. Plate - Bar protector R. H. ....	1





**OVERSIZE PISTON ASSEMBLIES**

Part Number	Nomenclature
58668	Piston Assy - 0.010 inch oversize
58394	. Ring Set - 0.010 inch oversize
58667	Piston Assy - 0.020 inch oversize
58354	. Ring Set - 0.020 inch oversize
58669	Piston Assy - 0.030 inch oversize
58395	. Ring Set - 0.030 inch oversize

**TOOLS AND ACCESSORIES**

Part Number	Nomenclature
*51445A	Wrench and Screwdriver Combination
*36248	Wrench - Spark Plug
*59549	Wrench - Spark arrester
*56625B	Chain Maintenance Manual
*61421	Owner's Manual of Operating Instructions
18413A	Gauge - Feeler
102094	Fixture - Chain grinding
56224A	Chain Breaker - Rivet spinner
56218	Depth Gauge Tool - 0.025 - 0.040
56241	Depth Gauge Tool - 0.045 - 0.060

\*Items furnished with each saw.