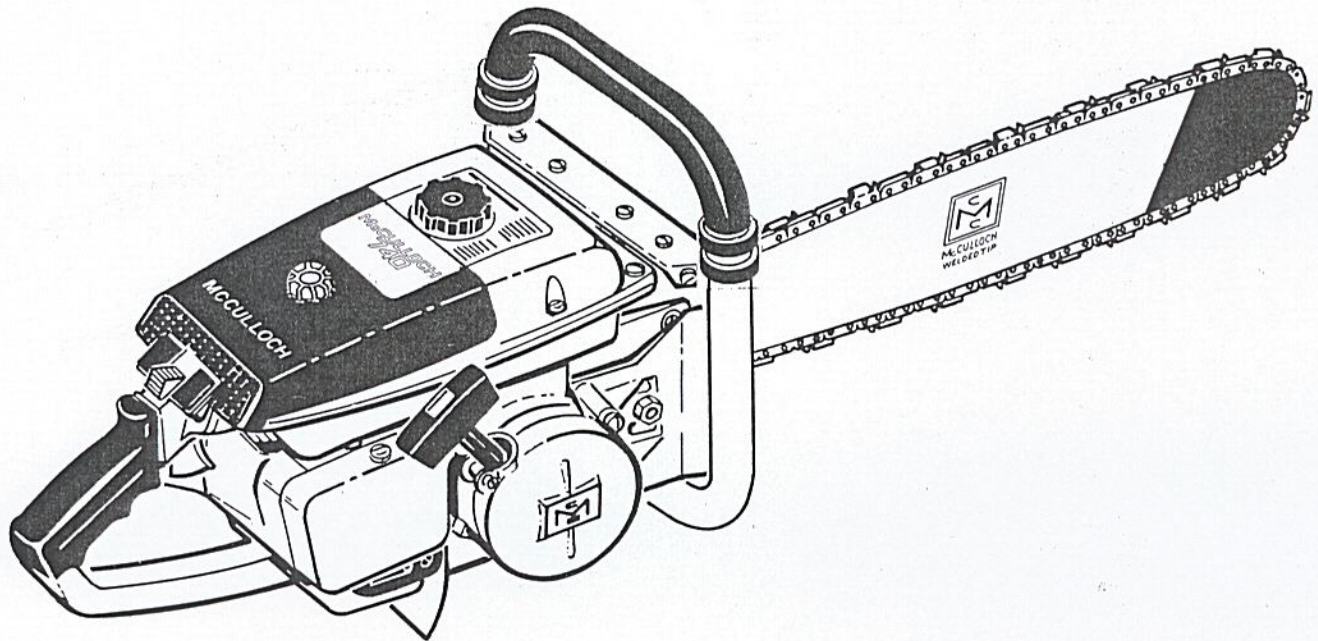


ILLUSTRATED PARTS LIST

MAY 1963



The following pages contain an illustrated parts list for the Model 740 Chain Saw. Due to small differences between saws, it is important that the Serial Number of your saw be included whenever spare parts are ordered. This will assure receiving the proper parts from your dealer. The McCulloch Corporation reserves the right to modify or change specifications without (1) prior notification or (2) obligation including the obligation to back-fit or supply back-fit components for units previously shipped from the factory.

	Page
Figure 1. Engine Exploded View - General	2
Figure 2. Fuel System Components	4
Figure 3. Starter and Clutch Assembly	6
Figure 4. Chain Oiler Assemblies	8
Figure 5. Powerhead Assembly	10
Figure 6. Carburetor and Fuel Collector Assemblies	12
Figure 7. Handle and Control Assembly	14
Figure 8. Bar and Chain	15



McCULLOCH CORPORATION
 6101 West Century Boulevard,
 Los Angeles 45, California

MODEL
740

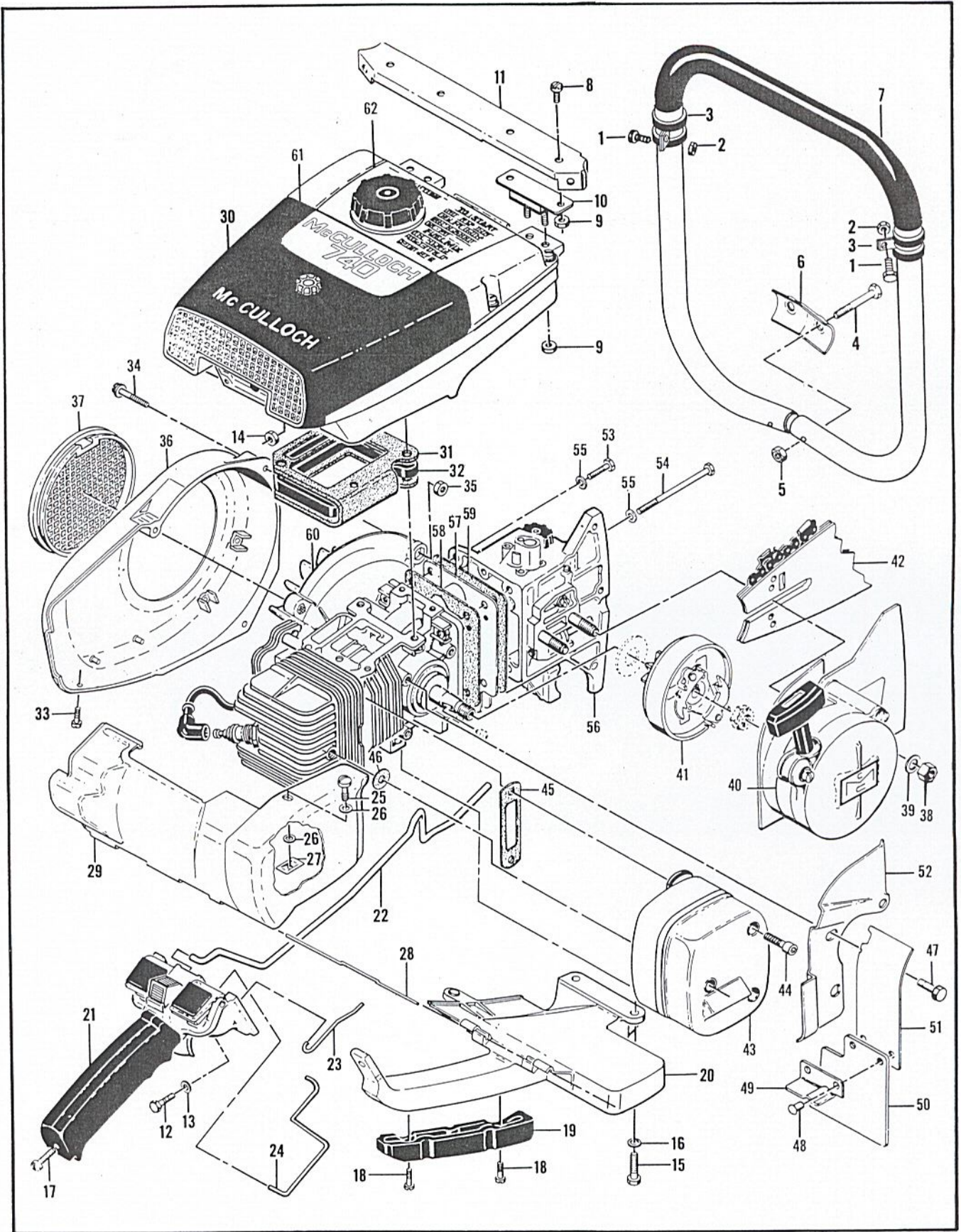


Figure 1. Engine Exploded View - General

FIGURE 1. ENGINE EXPLODED VIEW—GENERAL

Index No.	Part Number	Nomenclature	Units Per Assy
1	102763	Screw - Hex hd 10-24 x 3/4 in. lg	2
2	100239	Nut - Hex 10-24	2
3	103923	Clamp	2
4	102125	Screw - Hex hd 1/4-20 x 1-3/4 in. lg	2
5	101143	Nut - Hex 1/4-20	2
6	51362	Clamp - Frame	1
7	60231	Frame and Grip Assy	1
8	104393	Screw - Pan hd 10-24 x 3/8 in. lg	4
9	101191	Nut - Hex 10-24	8
10	55606B	Mount - Shock	2
11	55637	Brace - Frame	1
12	102761	Screw - Hex hd 10-24 x 7/8 in. lg	2
13	102189	Washer - Plain #10	2
14	102067	Nut - Hex 10-24	2
15	102121	Screw - Hex hd 1/4-20 x 7/8 in. lg	2
16	100005	Washer - Plain 1/4 in.	2
17	104397	Screw - Pan hd 10-24 x 7/8 in. lg	1
18	104483	Screw - Bind hd 10-24 x 5/8 in. lg	2
19	55941	Insert - Handle	1
20	57872	Brace - Handle	1
21		Handle and Control Assy (See figure 7)	1
22	51857B	Pushrod - Oiler	1
23	53583A	Pushrod - Primer	1
24	53590	Pushrod - Throttle	1
25	51351	Screw - Special	1
26	100005	Washer - Plain 1/4 in.	2
27	103741	Speednut	1
28	55885	Pin - Shroud	1
29	55419A	Shroud Assy - Cylinder and muffler	1
30		Fuel System Components (See figure 2)	1
31	53768	Gasket - Fuel tank and insulator	1
32	53684	Insulator	1
33	102500	Screw - Pan hd 10-24 x 1/2 in. lg	1
34	104816	Screw - 10-24 x 1-1/4 in. lg (SEMS)	3
35	101191	Nut - Hex 10-24	2
36	57733	Housing - Fan	1
37	55615	Guard - Flywheel	1
38	103729	Nut - Hex 3/8-24	2
39	100006	Washer - Plain 3/8 in.	2
40		Starter Assy (See figure 3)	1
41		Clutch, Drum and Bearing Assy (See figure 3)	1
42		Bar and Chain Assy (See figure 8)	1
43	53480	Muffler and Screw Assy	1
44	104895	. Screw - Socket hd 10-24 x 5/8 in. lg	3
45	53652	Gasket - Muffler	1
46	53651	Washer - Insulator	1
47	104133	Screw - 1/4-20 x 5/8 in. lg (SEMS)	3
	51991A	Guard Assy - Muffler	1
48	103819	. Rivet - 3/16 in. dia x 5/16 in. lg	2
49	55113	. Angle	1
50	55112	. Deflector	1
51	51990A	. Shield	1
52	55255	Jacket - Cylinder	1
53	103258	Screw - Hex hd 1/4-20 x 1-1/8 in. lg	2
54	102127	Screw - Hex hd 1/4-20 x 3-1/4 in. lg	2
55	100005	Washer - Plain 1/4 in.	4
56		Oiler Housing Assy (See figure 4)	1
57	60251	Cover - Crankcase bottom	1
58	48909A	Gasket - Crankcase bottom cover	1
59	60252	Gasket - Oiler housing	1
60		Powerhead Assy (See figure 5)	1
61	60423	Nameplate	1
62	60425	Instruction Plate	1

MODEL 740

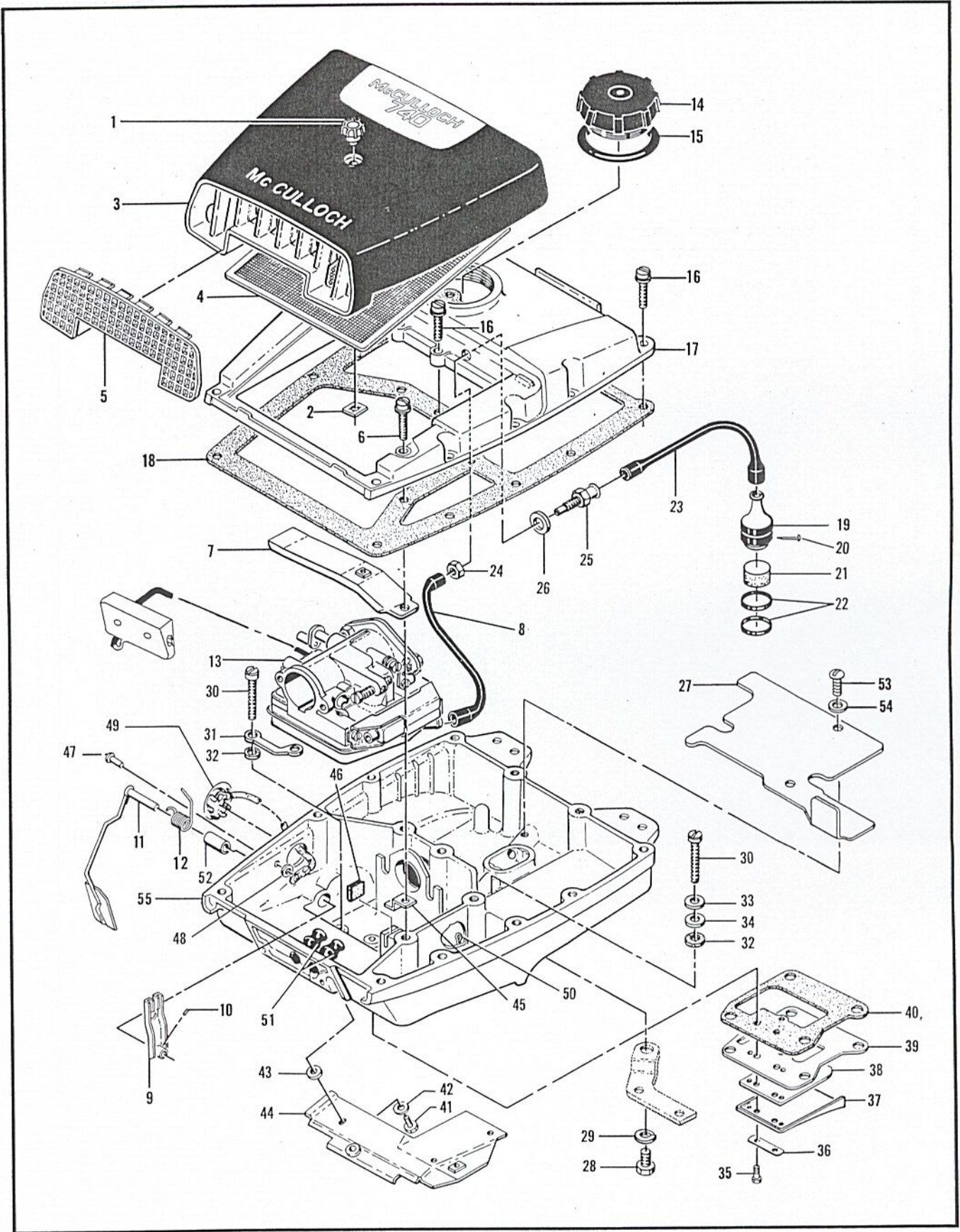


Figure 2. Fuel System Components

FIGURE 2. FUEL SYSTEM COMPONENTS

Index No.	Part Number	Nomenclature	Units Per Assy
	60427	Cover Assy - Air cleaner	1
1	60243	. Knob - Air cleaner cover	1
2	103741	. Speednut	1
3		. Cover - Air cleaner (Order Assy #60427)	1
4	55498	Screen - Air cleaner	1
5	55659	Grill - Air cleaner cover	1
6	104396	Screw - Pan hd 10-24 x 3/4 in. lg	1
7	55634	Anchor Assy - Air cleaner	1
8	53678	Hose - Fuel line	1
9	55954A	Lever Assy - Governor	1
10	104154	. Screw - Set 8-32 x 1/4 in. lg	1
11	55958	Arm Assy - Governor	1
12	55966B	Spring - Governor	1
13		McCulloch Carburetor and Fuel Collector Assemblies (See figure 6)	1
14	55934B	Cap Assy - Fuel	1
15	101348	"O" Ring - Fuel cap	1
16	104396	Screw - Pan hd 10-24 x 3/4 in. lg	14
17	53682	Cover - Fuel tank	1
18	55627A	Gasket - Fuel tank	1
19	53679A	Pickup Assy - Fuel	1
20	104959	. Pin - Fuel pickup	1
21	104958	. Filter - Fuel pickup	1
22	110065	. Ring - Fuel pickup	2
23	53678	Hose - Fuel line	1
24	100640	Nut - Hex 1/4-28	1
25	53675	Fitting - Fuel hose	1
26	50832A	Washer - Sealing	1
27	53837A	Liner - Fuel tank	1
28	102151	Screw - Hex hd 1/4-20 x 1/2 in. lg	1
29	100246	Lockwasher	1
30	55948A	Screw - Fuel tank	4
31	58376	Lockplate	1
32	55636	Washer - Insulating	4
33	102189	Washer	2
34	103744	Washer - Sealing	2
35	103740	Screw - Hex hd 8-32 x 7/8 in. lg	2
36	51480	Lockplate	1
37	53686	Deflector - Fuel	1
38	48593	Valve - Reed	1
39	53685	Plate - Reed	1
40	58328A	Gasket	1
41	102941	Screw - Hex hd 10-24 x 1/2 in. lg	3
42	102189	Washer	3
43	55636	Washer - Insulating	2
44	55907A	Shield Assy - Fuel tank	1
45	55647	Retainer - Throttle rod	1
46	51394	Felt - Pushrod	1
	55805E	Bottom Assy - Fuel tank	1
47	104504	. Rivet	1
48	101871	. Washer - Plain	1
49	51396A	. Cover Assy - Adjustment hole	1
50	104310	. Pin - Cotter	1
51	60237	. Grommet	2
52	103708	. Bushing	1
53	104769	. Screw - Pan hd 6-32 x 3/8 in. lg	2
54	100296	. Washer - Plain #6	2
55		. Fuel Tank - Bottom (Order Fuel Tank Bottom Assy #55805E)	1

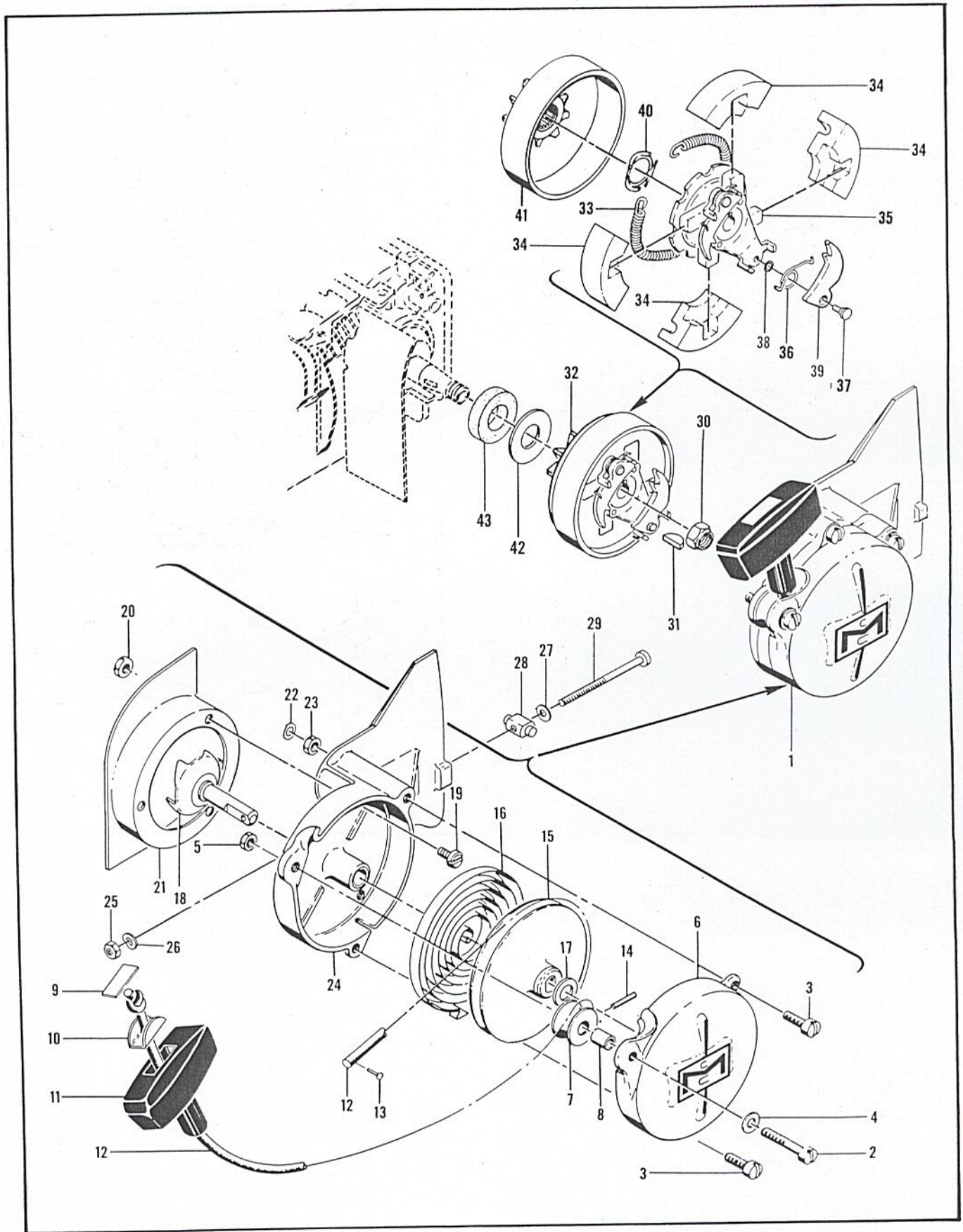


Figure 3. Starter and Clutch Assembly

FIGURE 3. STARTER AND CLUTCH ASSEMBLY

Index No.	Part Number	Nomenclature	Units Per Assy
1	53844	Starter Assy	1
2	101284	. Screw - Fil hd 10-24 x 1-1/8 in. lg	1
3	103859	. Screw - Fil hd 10-24 x 3/4 in. lg	2
4	102189	. Washer	1
5	101191	. Nut - Hex 10-24	2
6	55024B	. Cover - Starter	1
7	51138	. Pulley - Starter rope	1
8	103536	. Bearing - Pulley	1
9	57232	. Plate - Starter handle	1
10	57231	. Cup - Starter handle	1
11	57230	. Handle - Starter	1
12	28716	. Rope - Starter	1
13	101136	. Rivet	1
14	103047	. Pin - Roll	1
15	55871	. Drum - Starter	1
16	51665	. Spring - Starter rewind	1
17	104457	. Washer	1
18	51923	. Shaft Assy - Starter	1
19	104071	. Screw - Pan hd 8-32 x 5/16 in. lg	3
20	100955	. Nut - Hex 8-32	3
21	51459A	. Cover - Sawdust shield	1
22	28935	. Retainer	1
23	101191	. Nut - Hex 10-24	1
24	57660	. Starter Base Assy	1
25	100640	. Nut - Hex 1/4-28	1
26	102813	. Washer - Spring	1
27	100005	. Washer - Plain 1/4 in.	1
28	52207C	. Nut - Bar adjustment	1
29	104548	. Screw - 1/4-20 x 3-5/8 in. lg	1
30	103746	Nut - Flexloc	1
31	103879	Key - Woodruff	1
32	51470D	Clutch Assy	1
33	51468A	. Spring - Shoe retaining	1
34	51464A	. Shoe - Clutch	4
35	52175A	. Rotor Assy - Clutch	1
36	51910	. . Spring - Pawl	2
37	60730	. . Pin - Special	2
38	60731	. . Spacer - Pawl	2
39	60729	. . Pawl - Clutch	2
40	103718	Spring - Thrust	1
41		Sprocket, Clutch and Drum Assy (See figure 4 for pitch sizes)	1
42	51420	Washer - Inner sprocket	1
43	57785A	Seal - Felt sprocket	1

FIGURE 4. CHAIN OILER ASSEMBLIES

Index No.	Part Number	Nomenclature	Units Per Assy
1	100152	Nut - Hex 1/4-20	3
2	100153	Lockwasher	3
3	102088	Screw - Flat hd 1/4-20 x 3/4 in. lg	3
4	51443	Spike	1
5	57129A	Cap - Oiler tank	1
6	101148	"O" Ring - Oiler tank cap	1
7	51423B	Bolt - Bar mounting	2
8	51439	Plate - Lock	1
9	104062	Pin - Cotter	1
	60366	Housing Assy - Oiler	1
10	101101	. Screw - Rd hd 8-32 x 1/4 in. lg	1
11	100057	. Lockwasher	1
12	51941	. Retainer	1

(This list is continued on page 9)

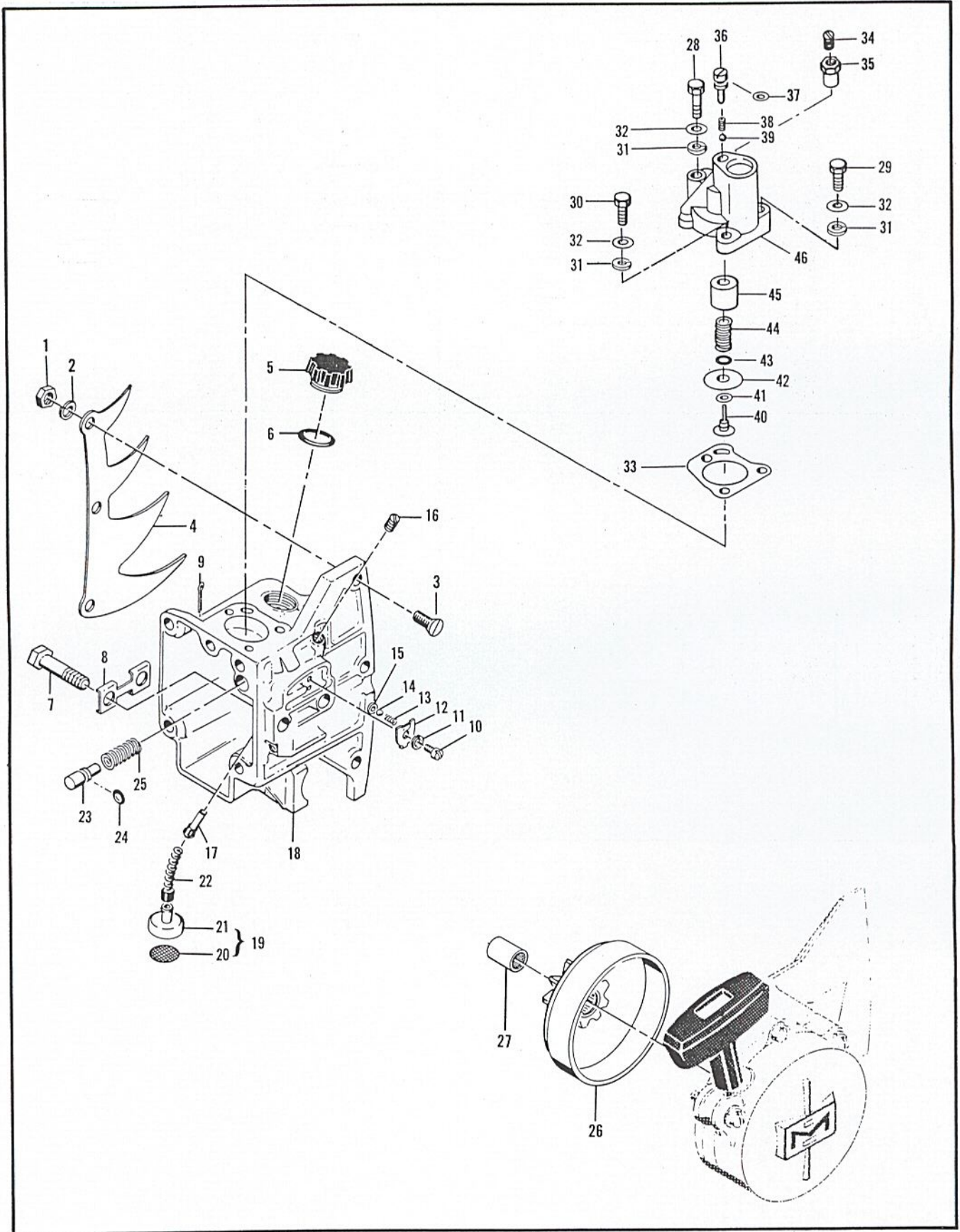


Figure 4. Chain Oiler Assemblies

FIGURE 4. CHAIN OILER ASSEMBLIES (CONT)

Index No.	Part Number	Nomenclature	Units Per Assy
13	60250	. Spring - Valve	1
14	100549	. Ball - Steel .188 dia	1
15	51943	. Seat - Ball	1
16	104869	. Plug - Pipe 1/16-27	1
17	51982A	. Check Valve Assy - Oiler	1
18		. Housing - Oiler (Order Housing Assy #60366).	1
19	51505	Weight Assy - Oil line hose	1
20	51506	. Screen - Oil intake	1
21	51509	. Weight - Oil line	1
22	28007	Hose - Flexible	1
	51947	Piston Assy - Oiler	1
23	51940	. Piston - Oiler	1
24	103198	. "O" Ring - Oiler piston	1
25	51946	. Spring - Oiler	1
	*51774B	Sprocket, Clutch Drum and Bearing Assy (7 tooth -.404 pitch)	1
26	51775B	. Drum and Sprocket Assy	1
27	103688	. Bearing - Needle	1
	**51178B	Sprocket and Clutch Drum Assy - 7/16 in. pitch - 7 tooth (alternate).	1
	***51793B	Sprocket and Clutch Drum Assy - 1/2 in. pitch - 6 tooth (alternate)	1
	****59850	Sprocket and Clutch Drum Assy - (Auto-Mac chain) (alternate)	1
28	103354	Screw - Hex hd 10-24 x 1-3/4 in. lg	1
29	102761	Screw - Hex hd 10-24 x 7/8 in. lg	1
30	102388	Screw - Hex hd 10-24 x 5/8 in. lg	1
31	101194	Lockwasher	3
32	102189	Washer	3
33	60264	Gasket - Pulse pump body	1
	60253	Pump Assy - Pulse	1
34	110202	. Screw - Set 10-24 x 1-1/4 in. lg	1
35	60976	. Locknut - 10-24	1
36	60397	. Screw - Fil hd	1
37	60398	. Washer	1
38	60396	. Spring - Ball check	1
39	102809	. Ball - Steel .093 dia	1
40	60260	. Piston Assy	1
41	60937	. Washer	1
42	60263	. Ring - Piston	1
43	101758	. "O" Ring - Piston	1
44	60259	. Spring - Piston	1
45	60258	. Sleeve - Piston	1
46	60254	. Body Assy - Pulse pump	1

*Use only with .404 inch pitch chain
 **Use only with 7/16 inch pitch chain
 ***Use only with 1/2 inch pitch chain
 ****Use only with Auto-Mac chain

FIGURE 5. POWER HEAD ASSEMBLY

Index No.	Part Number	Nomenclature	Units Per Assy
1	101965	Screw - Fil hd 10-24 x 7/8 in. lg	2
2	100003	Washer	2
3	51253	Retainer - Coil	2
4	51251	Lamination Assy - Coil	1
	55949A	Coil and Terminal Assy	1
5	101883	. Wire Assy - Ground	1
6	52547	. Wire Assy - Spark plug	1
7	55060	. Boot - Spark plug	1
8	55061	. Connector - Spark plug wire	1
9	55617	. Nipple - Spark plug	1
10		. Coil Assy (Order Coil and Terminal Assy #55949A)	1

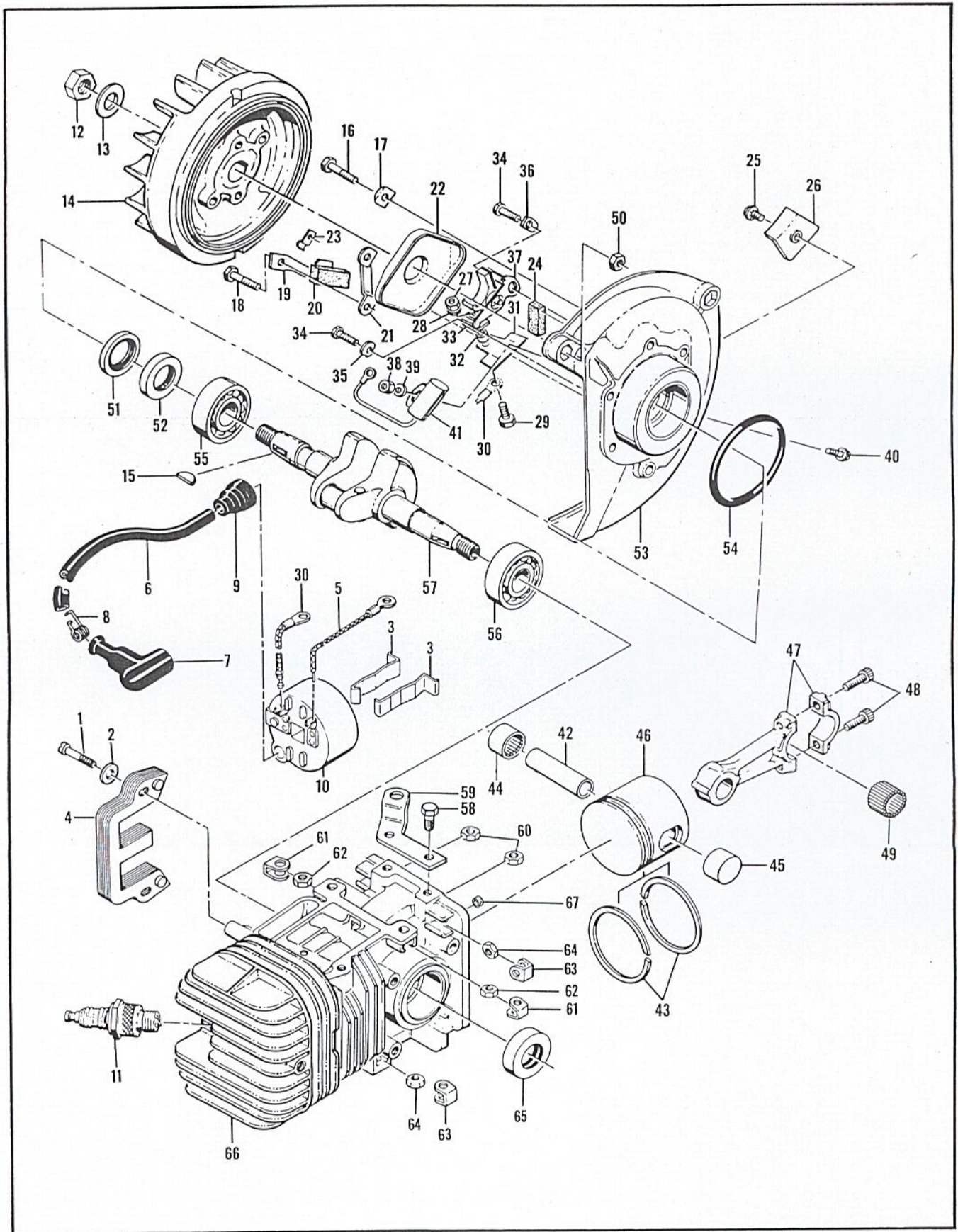


Figure 5. Powerhead Assembly

60428
5-63 ①

FIGURE 5. POWER HEAD ASSEMBLY (CONT)

Index No.	Part Number	Nomenclature	Units Per Assy
11		Plug - Spark 14 mm	1
12	101179	Nut - Hex 7/16	1
13	101270	Washer - Special	1
14	57825	Flywheel Assy	1
15	103879	Key - Woodruff	1
16	102763	Screw - Hex hd 10-24 x 3/4 in. lg	2
17	36388	Lockplate	1
18	102763	Screw - Hex hd 10-24 x 3/4 in. lg	4
19	57815	Strap - Seal	1
20	50664	Seal - Breaker box drain	1
21	55977	Clip - Breaker box cover	2
22	55766B	Cover - Breaker box	1
23	104230	Speednut	1
24	54184	Wiper - Felt	1
25	110055	Screw - 8-32 x 3/8 in. lg (SEMS)	1
26	57829	Clamp - Ignition wire	1
27	104551	Nut - Hex 8-32	1
28	104553	Lockwasher	1
29	103748	Screw - Hex hd 8-32 x 1/2 in. lg	1
30	57766	Wire Assy - Primary	1
31	55782	Insulator - Primary wire assy	1
32	57769	Insulator - Ignition screw	1
33	57770A	Insulator - Breaker spring	1
34	104733	Screw - 8-32 x 1/2 in. lg (SEMS)	2
35	57767A	Lockplate	1
36	55778C	Washer - Breaker retainer	1
37	57765A	Breaker Assy	1
38	100955	Nut - Hex 8-32	1
39	100080	Washer - Plain #8	1
40	104733	Screw - 8-32 x 1/2 in. lg (SEMS)	1
41	50074	Condenser	1
42	58132	Pin - Piston	1
	58878	Piston Assy (Also see Oversize Assys - Page 15)	1
43	58881	. Ring Set - Piston	1
44	101206	. Bearing - Needle	1
45	104378	. Bearing - Needle (Closed end)	1
46		. Piston (Order Piston Assy #58878)	1
47	47782A	Connecting Rod Assy	1
48	60210	. Screw - Socket hd 10-32 x 5/8 in. lg	2
49	102742	. Roller - Needle	24
	57827	Crankcase Cover Assy	1
50	101326	. Nut - Hex 10-24	2
51	57897	. Seal - Oil	1
52	57898	. Seal - Oil	1
53		. Cover - Crankcase (Order Crankcase Cover Assy #57827)	1
54	104523	"O" Ring	1
55	100824	Bearing - Ball	1
56	104490	Bearing - Ball	1
57	58128	Crankshaft	1
58	102762	Screw - Hex hd 10-24 x 1/2 in. lg	2
59	53271	Bracket - Fuel tank mounting	1
60	101326	Nut - Hex 10-24	2
	59564	Cylinder Assy - Crankcase	1
61	28053	. Retainer - Nut	2
62	101326	. Nut - Hex 10-24	2
63	18556A	. Retainer - Nut	6
64	101143	. Nut - Hex 1/4-20	6
65	104486	. Seal - Oil	1
66		. Cylinder - Crankcase (Order Cylinder - Crankcase Assy #59564)	1
67	57736	Seal - Pushrod	1

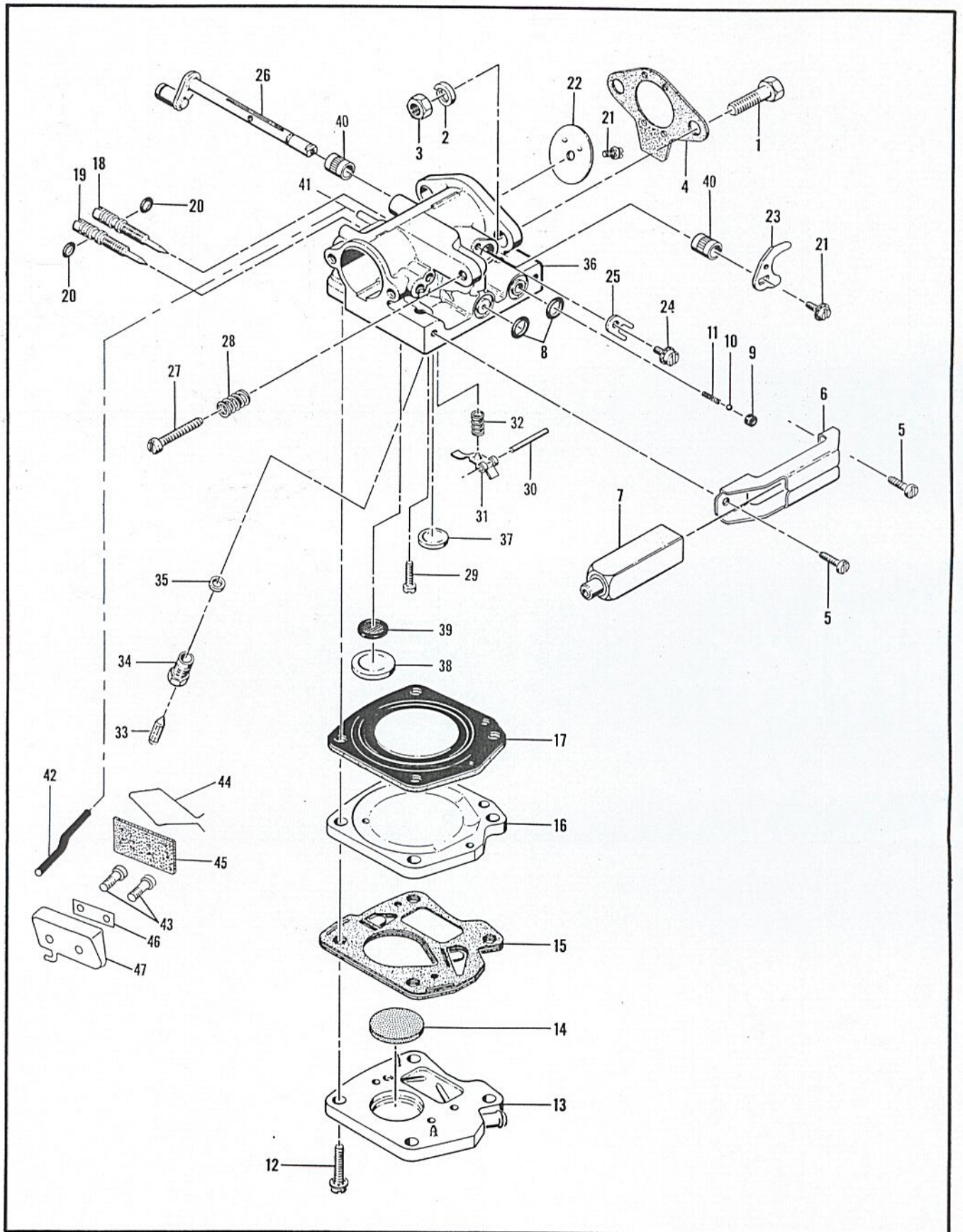


Figure 6. Carburetor and Fuel Collector Assemblies

FIGURE 6. CARBURETOR AND FUEL COLLECTOR ASSEMBLIES

Index No.	Part Number	Nomenclature	Units Per Assy
1	100882	Screw - Hex hd 1/4-20 x 3/4 in. lg	2
2	101476	Lockwasher - 1/4 in.	2
3	103242	Nut - Hex 1/4-20	2
4	51161D	Gasket - Carburetor	1
	53946B	Carburetor Assy - McCulloch	1
5	110054	. Screw - Pan hd 6-32 x 3/8 in. lg	2
6	53440	. Bracket - Primer mounting	1
7	53449	. Primer Assy	1
8	101056	. "O" Ring	2
9	59480	. Seat - Primer valve	1
10	100302	. Ball - Steel 1/4 inch dia	1
11	28754	. Spring - Primer	1
12	104520	. Screw - 10-24 x 7/8 in. lg (SEMS)	4
13	58965	. Body Assy - Fuel pump	1
14	57277	. Filter - Fuel pump	1
15	57274A	. Diaphragm Assy - Fuel pump	1
16	48901	. Plate - Carburetor diaphragm	1
17	55067C	. Diaphragm - Carburetor	1
18	53948	. Needle - Idle adjustment	1
19	53949	. Needle - Main adjustment	1
20	104001	. "O" Ring	2
21	104814	. Screw - Pan hd 4-40 x 1/4 in. lg (SEMS)	2
22	53309	. Plate - Throttle	1
23	53582A	. Arm - Throttle shaft	1
24	110055	. Screw - 8-32 x 3/8 in. lg (SEMS)	1
25	55082	. Clip - Shaft	1
26	55077A	. Shaft and Roller Assy	1
27	55397	. Screw - Fil hd 8-36 x 15/16 in. lg	1
28	51705	. Spring - Idle screw	1
29	104164	. Screw - Pan hd 4-40 x 1/4 in. lg	1
30	104305	. Pin - Lever	1
31	55688	. Lever - Inlet control	1
32	57172	. Spring - Inlet control	1
33	59710	. Needle - Inlet control	1
34	58969	. Body - Inlet control valve	1
35	55689	. Washer - Valve seat	1
36	58852	. Body Assy - Carburetor	1
37	102758	. Plug - Expansion 1/2 in.	1
38	104407	. Plug - Expansion 1 in.	1
39	55690B	. Seal - Capillary	1
40	55062A	. Bushing - Carburetor body	2
41	47523	. Tube - Collector inlet	1
42	58869	Hose - Fuel collector	1
43	110061	Screw - Pan hd 8-32 x 3/8 in. lg	2
44	58920A	Retainer - Fuel absorber	1
45	58865	Absorber - Fuel	1
46	58864	Plate - Retaining	1
47	58863A	Collector Assy - Fuel	1

MODEL 740

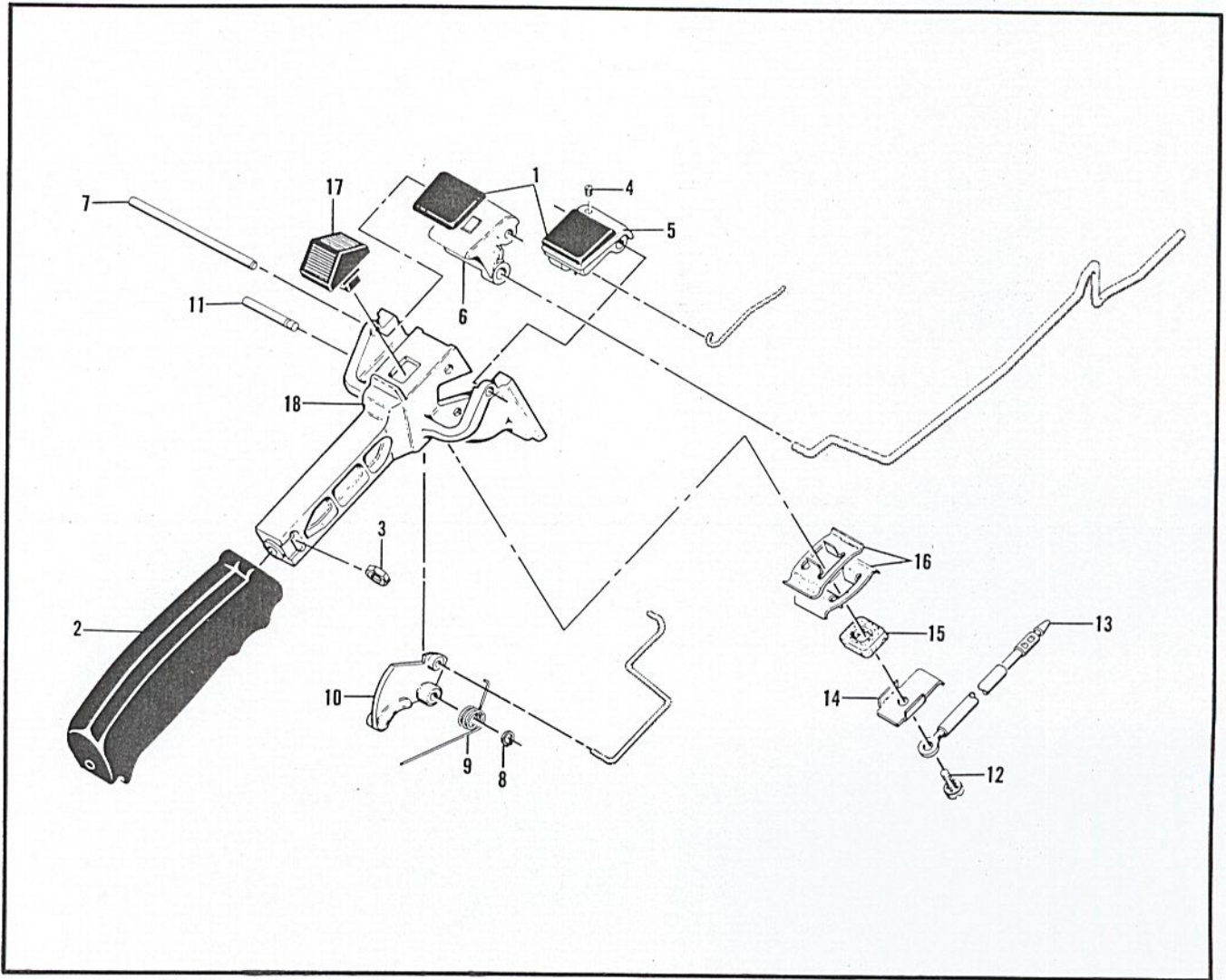


FIGURE 7. HANDLE AND CONTROL ASSEMBLY

Index No.	Part Number	Nomenclature	Units Per Assy
1		Grommet	2
	53245	Handle and Control Assy	1
2	55624A	. Grip - Handle	1
3	101326	. Nut - Hex 10-24	1
4	104484	. Screw - Set 8-32 x 1/4 in. lg	1
5	55968A	. Button - Primer control	1
6	55969A	. Button - Oiler control	1
7	51344A	. Shaft - Primer and oiler buttons	1
8	104501	. Retainer - Trigger pin	1
9	55674	. Spring - Trigger return	1
10	55616	. Trigger	1
11	50507	. Pin - Trigger	1
12	110055	. Screw - Fil hd 8-32 x 3/8 in. lg (SEMS)	1
13	51492A	. Wire Assy - Primary	1
14	51279	. Contact - Switch	1
15	51555	. Insulator - Switch	1
16	51554A	. Detent - Switch	2
17	57718	. Button - Switch	1
18	55986	. Handle	1

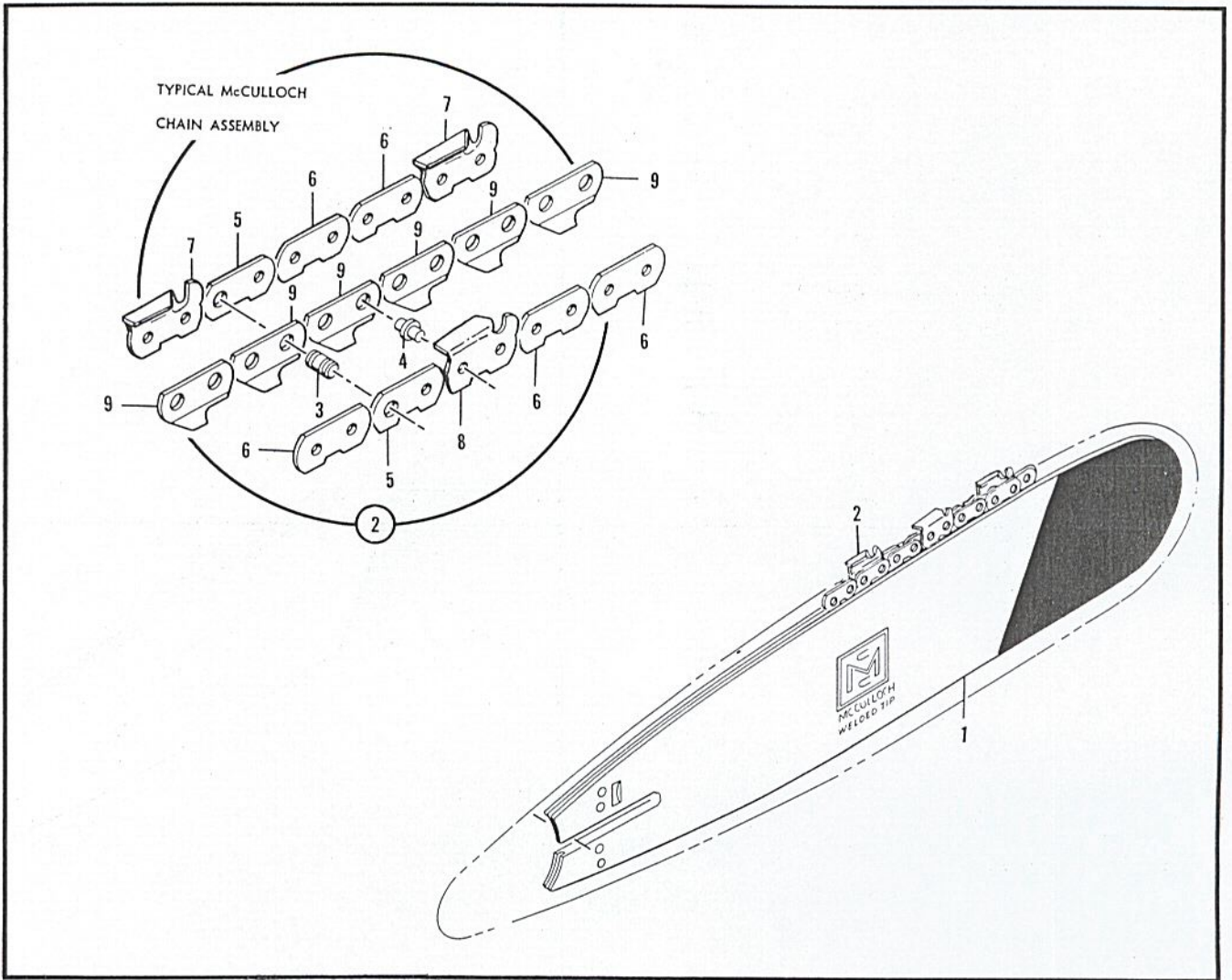


FIGURE 8. BAR AND CHAIN

Index No.	Part Number	Nomenclature	Units Per Assy
1	51405A	Bar - 18 in. (alternate)	1
	51407A	Bar - 24 in. (alternate)	1
	51409A	Bar - 30 in. (alternate)	1
2		Typical McCulloch Chain Assy	1
3		. Master Pin	
4		. Shoulder Rivet	
5		. Master Link	
6		. Side Link	
7		. Cutter - L. H.	
8		. Cutter - R. H.	
9		. Center Link	



OVERSIZE PISTON ASSEMBLIES

Part Number	Nomenclature
58882	Piston Assy - 0.010 inch oversize
58885	. Ring Set - 0.010 inch oversize
58886	Piston Assy - 0.020 inch oversize
58889	. Ring Set - 0.020 inch oversize
58890	Piston Assy - 0.030 inch oversize
58893	. Ring Set - 0.030 inch oversize

TOOLS AND ACCESSORIES

Part Number	Nomenclature
*51445A	Wrench and Screwdriver Combination
*14168A	Wrench - Spark Plug
*60426	Owner's Manual of Operating Instructions
*56625A	Chain Maintenance Manual
18413A	Gauge - Feeler
102094	Fixture - Chain grinding
102449	McCulloch Yellow Paint (12 oz spray bomb type)
102057	McCulloch Oil (1 quart)
102664	McCulloch Oil (12 oz can)
103736	File - Round 7/32 in. diameter
104003	File - Round 3/16 in. diameter
56224A	Chain Breaker - Rivet spinner
56250	Depth Gauge - 0.025 - 0.040
56251	Depth Gauge - 0.045 - 0.060

*Items furnished with each saw.