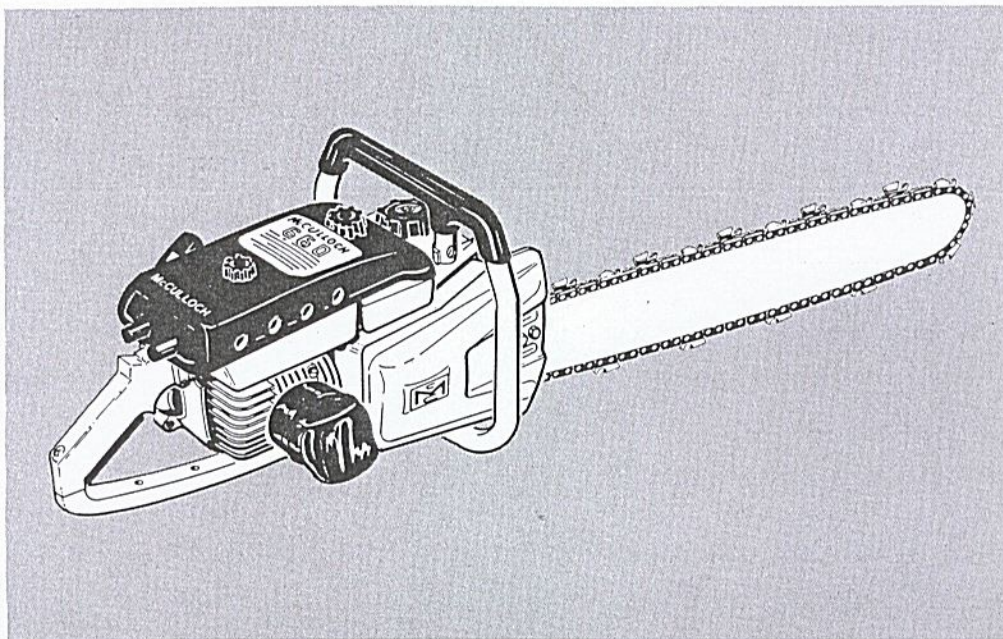


MODEL 660 Chain Saw

MODEL NO. 600120 SERIAL NOS. PREFIXED 12-

ILLUSTRATED PARTS LIST



September 1969

The policy of McCulloch Corporation is one of continual improvement in design, manufacturing and engineering advancement wherever possible to assure still finer two-cycle power tools. Hence, specifications, equipment, colors, design and manufacturer's suggested list prices are subject to change without notice and McCulloch Corporation reserves the right to make such changes without prior notification or obligation to backfit or supply backfit components for units previously shipped from the factory.

	Page
Figure 1. Engine Exploded View - General	2
Figure 2. Starter and Crankcase Cover Assemblies	4
Figure 3. Oiler Tank and Fuel Tank Assemblies	6
Figure 4. Cover and Airbox Assemblies	8
Figure 5. Carburetor Assembly	10
Figure 6. Powerhead Assembly	12
Figure 7. Transmission, Clutch Guard Assembly	14



McCULLOCH

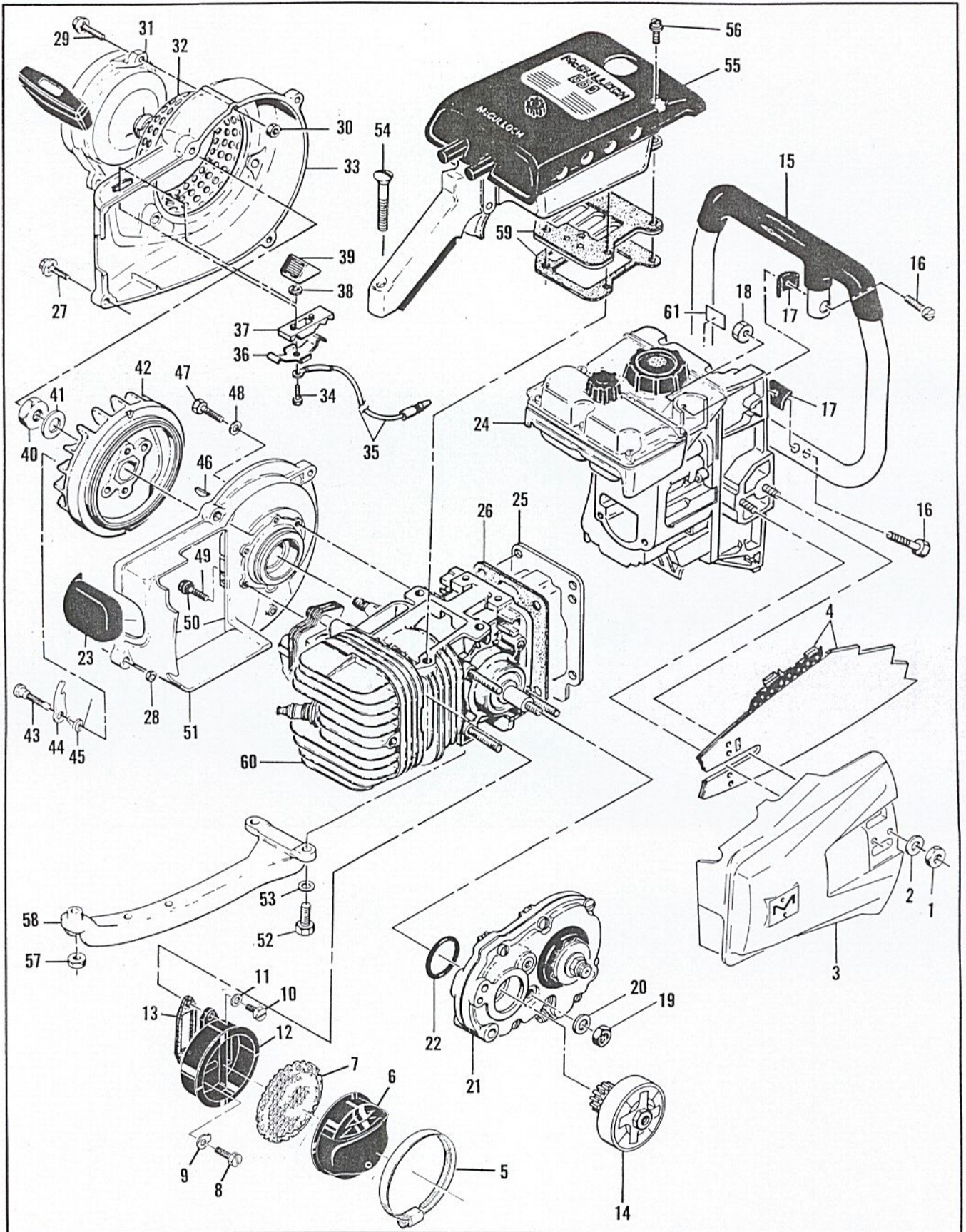


Figure 1. Engine Exploded View - General

FIGURE 1. ENGINE EXPLODED VIEW — GENERAL

Item No.	Part Number	Description	Units Per Assy
1	-110625	Nut - Hex 3/8-24	2
2	100006	Washer - 3/8	2
3		Guard Assy - Clutch (See Figure 7)	
4		Bar and Chain Assy (See Figure 7)	
5	-83368	Clamp	1
6	68238	Top Assy	1
7	-69325	Baffle	1
8	102761	Screw - Hex hd 10-24 x 7/8	1
9	69890	Lockplate	1
10	102388	Screw - Hex hd 10-24 x 5/8	2
11	103100	Lockwasher - #10	2
12	68241	Bottom Assy	1
13	53652	Gasket - Spark arrester	1
14		Clutch, Drum & Gear Assy (See Figure 7)	
15	-83485	Frame and Grip Assy	1
16	-105187	. Screw - Hex hd 1/4-20 x 1-1/8	3
17	-83233	. Spacer - Frame	3
18	101143	Nut - Hex 1/4-20	3
19	101143	Nut - Hex 1/4-20	3
20	100004	Washer - 1/4	3
21		Transmission Assy (See Figure 7)	
22	104535	"O" Ring	1
23	57565	Cover Assy - Spark plug	1
24		Oiler Tank & Fuel Tank Assy (See Figure 3)	
25	60251A	Cover - Crankcase bottom	1
26	65654	Gasket - Bottom	1
27	104815	Screw - Hex hd 10-24 x 7/8	4
28	101326	Nut - Hex 10-24	2
29	104815	Screw - Hex hd 10-24 x 7/8 (SEMS)	3
30	101191	Nut - Hex 10-24	3
31		Starter Assy (See Figure 2)	
32	50581A	Guard - Sawdust	1
33	53488	Fan Housing Assy	1

Item No.	Part Number	Description	Units Per Assy
34	103672	. Screw - Hex hd 8-32 x 1/2 (SEMS)	1
35	53490	. Wire Assy - Stop switch	1
36	59592	. Contact - Switch	1
37	59591	. Base - Switch	1
38	100057	. Lockwasher - #8	1
39	57718	. Button - Switch	1
40	101179	Nut - Hex 7/16	1
41	101270	Washer - Special	1
42	68282	Flywheel & Pawl Assy	1
43	36144B	. Pin - Pawl	2
44	24093	. Pawl-Starter	2
45	-66351	. Spring - Pawl	2
46	103879	Key - Woodruff	1
47	102289	Screw - Hex hd 10-24 x 3/4	4
48	102189	Washer - #10	3
49	55494	Screw Assy - Sealing	2
50	55492	. Washer - Sealing	1
51		Crankcase Cover Assy -(See Figure 2)	
52	100882	Screw - Hex hd 1/4-20 x 3/4	2
53	100004	Washer - 1/4	2
54	104435	Screw - Ov hd 10-24 x 1-3/4	1
55		Cover & Airbox Assy (See Figure 4)	
56	110127	Screw - Hex hd 10-24 x 7/8 (SEMS)	4
57	101191	Nut - Hex 10-24	1
58	65332	Brace - Handle	1
59		Reed Plate Assy & Insulator (See Figure 4)	
60		Powerhead Assy (See Figure 6)	
61	59445	Decal - Oil housing	1

Part numbers which have changed since the previous printing of the illustrated parts list covering these saws, are indicated by a dash (-) preceding the new part number.

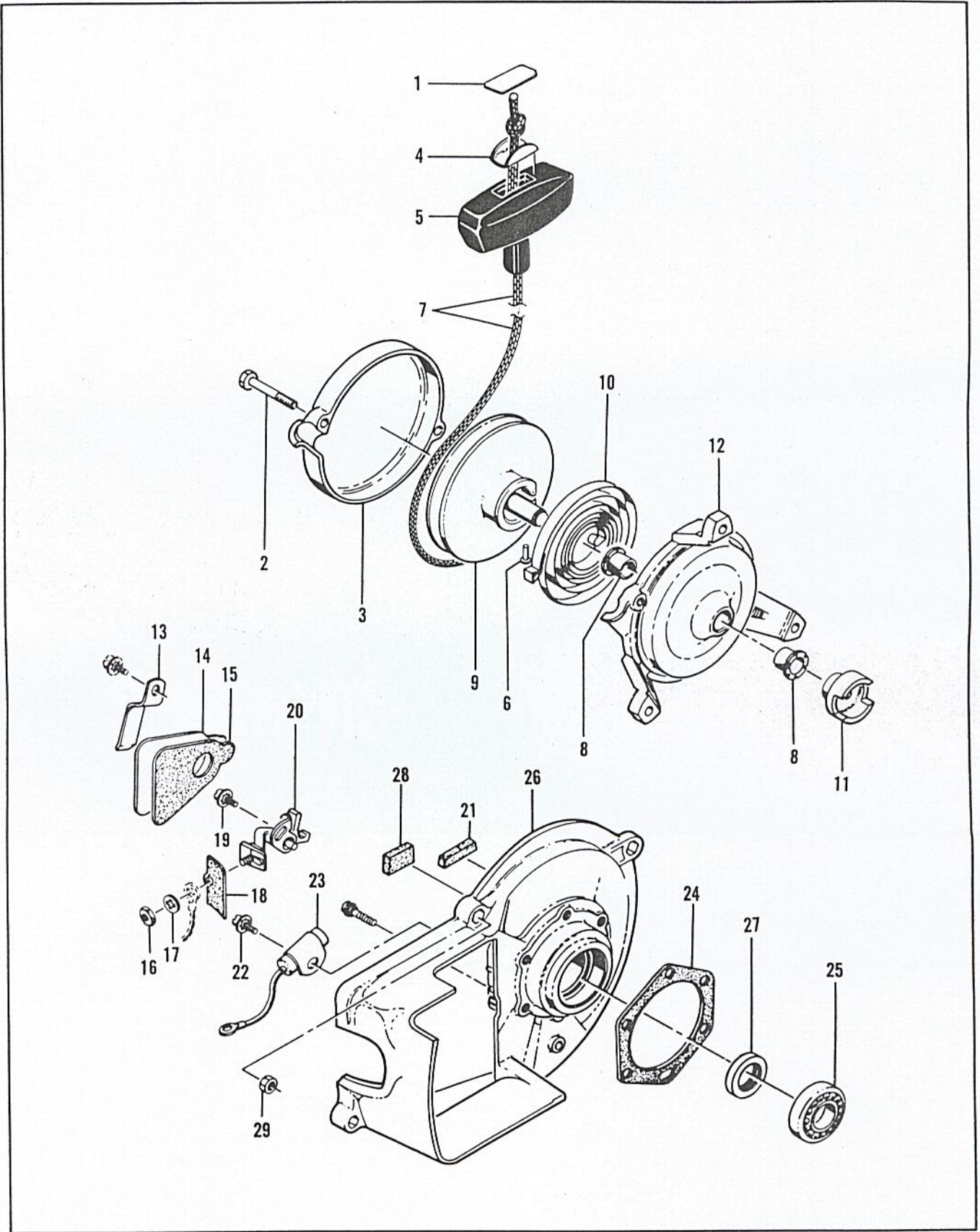


Figure 2. Starter and Crankcase Cover Assemblies

FIGURE 2. STARTER AND CRANKCASE COVER ASSEMBLIES

Item No.	Part Number	Description	Units Per Assy
	60130	Starter Assy	1
1	57232	. Plate - Starter handle	1
2	104396	. Screw - 10-24 x 3/4	2
3	60647	. Cover - Starter	1
4	57231	. Cup - Starter handle	1
5	57230	. Handle - Starter	1
6	101136	. Rivet	1
7	28716	. Rope - Starter	1
8	57535	. Bushing	2
9	57792	. Drum - Starter	1
10	51665	. Spring - Rewind	1
11	57790	. Ratchet - Starter	1
12	60646	. Base - Starter	1
13	50671	Retainer - Breaker box cover	1
14	50588A	Cover - Breaker box	1
15	65584	Gasket - Breaker box	1

Item No.	Part Number	Description	Units Per Assy
16	100251	Nut - Hex 8-32	1
17	100057	Lockwasher - #8	1
18	50381A	Insulator - Breaker terminal	1
19	103672	Screw - Hex hd 8-32 x 1/2 (SEMS)	1
20	50076A	Breaker Assy	1
21	50664	Felt - Breaker box	1
22	103672	Screw - Hex hd 8-32 x 1/2 (SEMS)	1
23	50074	Condenser	1
24	51240	Gasket - Crankcase	1
25	100824	Bearing - Ball	1
26	57126A	Crankcase Cover Assy	1
27	50663	. Seal - Oil	1
28	54184	. Wiper - Felt	1
29	101326	. Nut - Hex 10-24	2

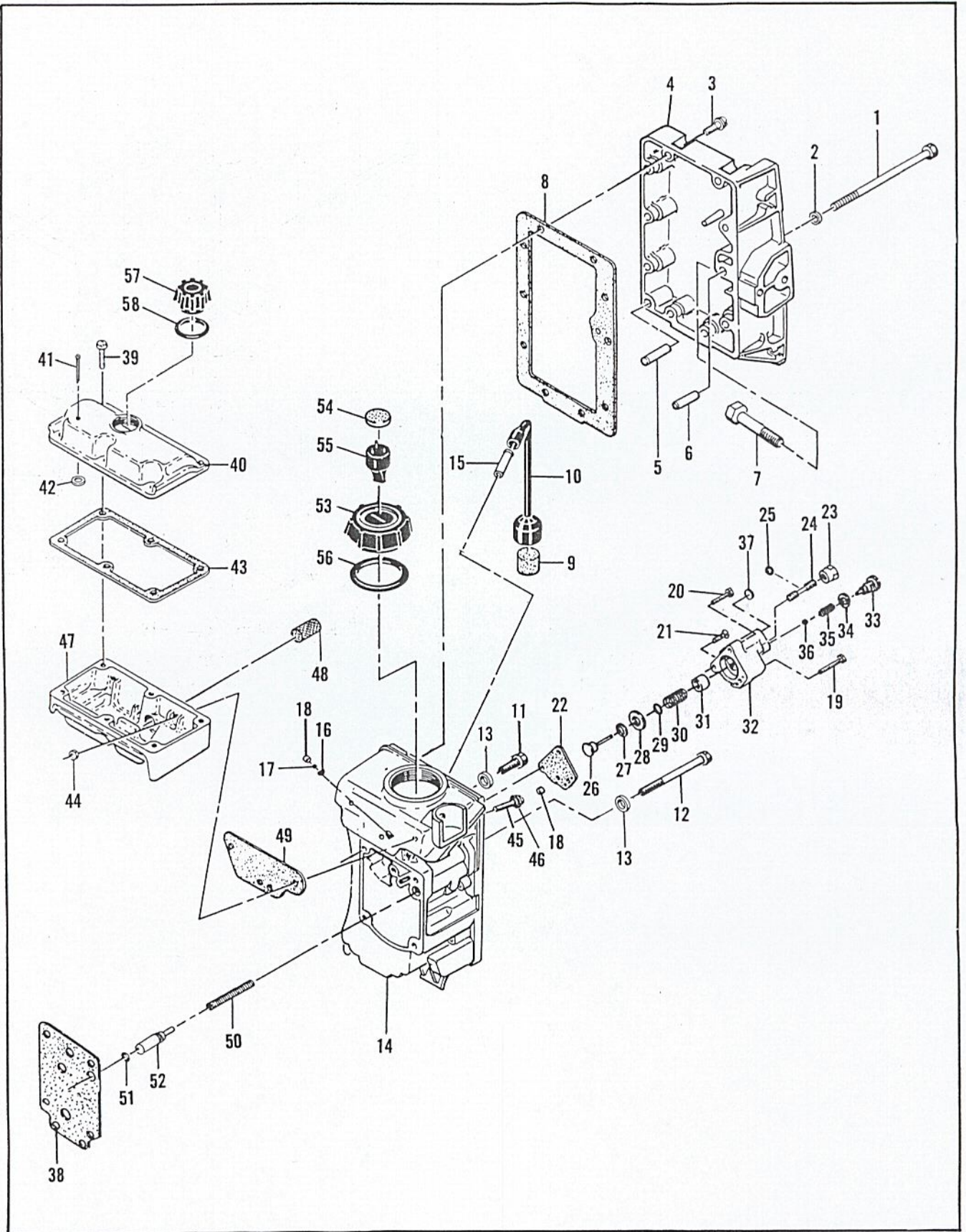


Figure 3. Oiler Tank and Fuel Tank Assemblies

FIGURE 3. OILER TANK AND FUEL TANK ASSEMBLIES

Item No.	Part Number	Description	Units Per Assy
1	101975	Screw - Fil hd 10-24 x 2-1/2	1
2	100003	Washer - #10	1
3	102763	Screw - Pan hd 10-24 x 3/4	9
4	- 68165	Cover Assy - Fuel Tank	1
5	101209	. Dowel - 1/4 in. x 1-1/4	1
6	61871	. Dowel - Hollow 1/4 in. x 1-3/8	1
7	61437	. Bolt - Bar mounting	2
8	61586	Gasket - Fuel tank cover	1
9	50124A	Filter - Fuel	1
10	50082	Hose - Flex	1
11	102128	Screw - Hex hd 1/4-20 x 1-1/4	3
12	102150	Screw - Hex hd 1/4-20 x 3	1
13	110300	Washer - Sealing 1/4	4
14	62443A	Fuel Tank Assy	1
15	28042	. Tube - Fuel hose	1
16	110327	. Ring - Retaining	1
17	100071	. Ball	1
18	62216	. Seat - Ball	2
19	110257	Screw - Hex hd 10-24 x 1-3/4 (SEMS)	1
20	104138	Screw - Hex hd 10-24 x 7/8 (SEMS)	1
21	110245	Screw - Flat hd 10-24 x 3/4	1
22	65673	Gasket - Pulse pump	1
	- 83135	Pulse Pump Assy	1
23	60976	. Locknut - 10-24	1
24	- 67929	. Screw - Set 10-24 x 1-1/4	1
25	104001	. "O" Ring	1
26	60260A	. Piston Assy	1
27	60937	. Washer	1

Item No.	Part Number	Description	Units Per Assy
28	60263	. Ring - Piston	1
29	104001	. "O" Ring	1
30	60259	. Spring - Piston	1
31	67918	. Sleeve - Piston	1
32	- 83132	. Body Assy - Pulse pump	1
33	60397A	. . Screw - Fil hd special	1
34	60398B	. . Washer	1
35	60396B	. . Spring - Ball check	1
36	102809	. . Ball - Steel 0.093 in. dia.	1
37	110157	. . Plug - Expansion 5/8	1
38	65660	Gasket - Fuel tank	1
39	104395	Screw - Pan hd 10-24 x 5/8	6
40	57114A	Cover - Oil tank	1
41	100010	Pin - Cotter	1
42	69352	Washer - Felt	1
43	57152	Gasket - Oil tank cover	1
44	101326	Nut - Hex 10-24	3
45	55494	Screw Assy - Sealing	3
46	55492	. Washer - Sealing	1
47	66618	Tank - Oiler	1
48	57279	Screen - Oiler	1
49	57147	Gasket - Oiler tank	1
50	68705	Spring - Oiler piston	1
51	101056	"O" Ring	1
52	- 83405	Piston - Oiler	1
53	55934B	Fuel Cap Assy	1
54	55063	. Filter - Fuel cap	1
55	53766A	. Valve - Fuel cap	1
56	101348	"O" Ring	1
57	57129A	Cap - Oil filler	1
58	101148	"O" Ring	1

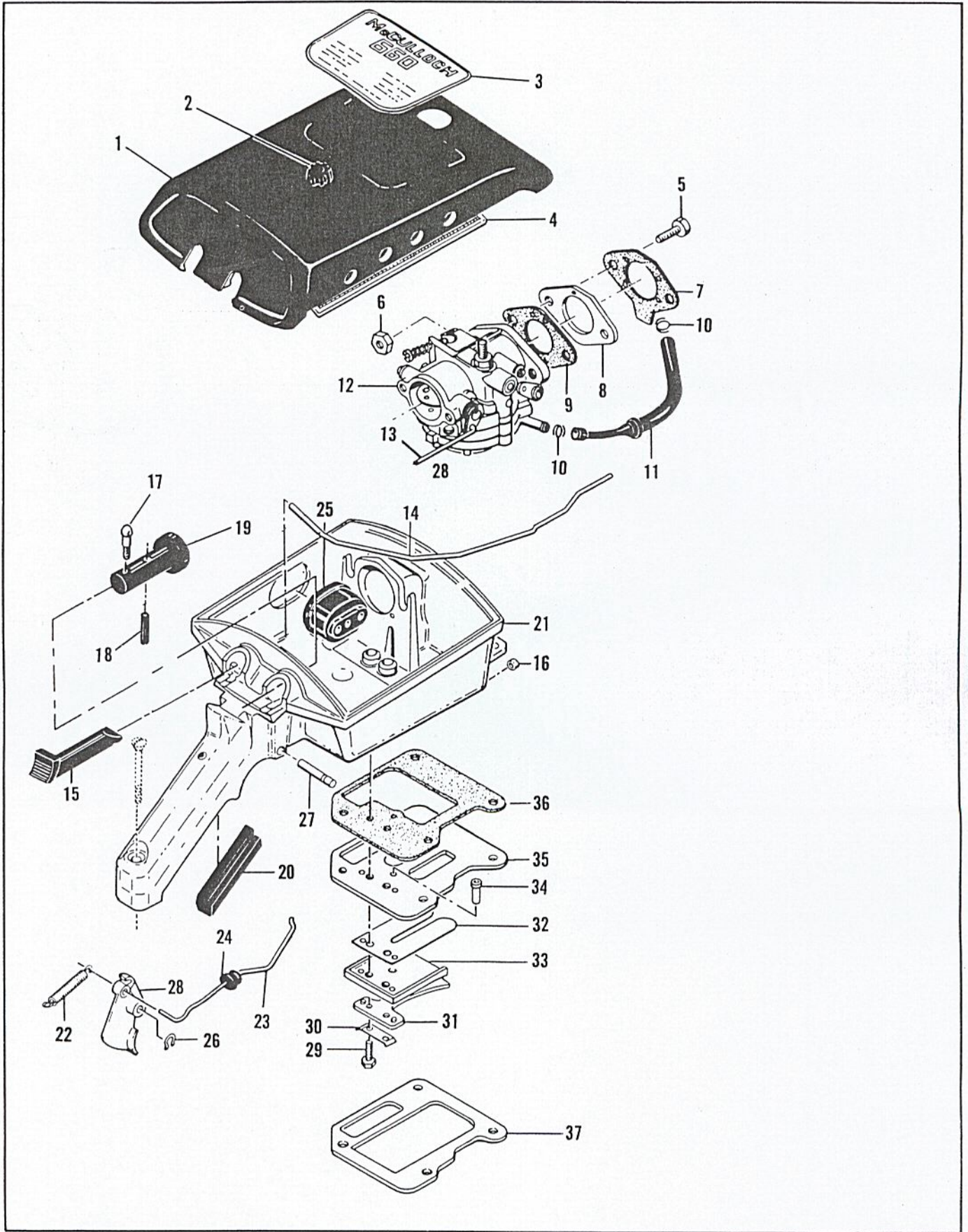


Figure 4. Cover and Airbox Assemblies

FIGURE 4. COVER AND AIRBOX ASSEMBLIES

Item No.	Part Number	Description	Units Per Assy
1	67288	Cover Assy - Air cleaner	1
2	60242	. Knob - Cover	1
3	67275	Nameplate	1
4	67931	Screen - Air cleaner	1
5	53539	Screw - Hex hd 1/4-20 x 7/8	2
6	103242	Nut - Hex 10-24	2
7	65630	Gasket - Carburetor adapter	1
8	50686A	Adapter - Carburetor	1
9	65583	Gasket - Carburetor	1
10	50742	Clamp - Fuel hose	2
11	-67094	Hose - Fuel	1
12		Carburetor Assy (See Figure 5)	1
13	57134	Pushrod - Choke	1
14	-83383	Pushrod - Oiler	1
15	-83397	Button - Oiler	1
16	57736	Seal - Pushrod	1
17	61822	Screw - Choke button	1
18	101556	Pin - Roll	1
19	50777B	Button - Choke	1
20	-57834	Insert - Handle	1

Item No.	Part Number	Description	Units Per Assy
21	-83421	Airbox Assy	1
22	36499	. Spring - Throttle	1
23	50684	. Rod - Throttle	1
24	68258	. Grommet - Throttle rod	1
25	-83404	. Grommet - Controls	1
26	104501	. Retainer - Trigger pin	1
27	50507	. Pin - Trigger	1
28	50091B	. Trigger	1
29	103740	. Screw - Hex hd 8-32 x 5/8	2
30	51480	. Plate - Lock	1
31	57658A	. Clamp - Reed	1
32	48593	. Valve - Reed	1
33	66274	. Deflector - Fuel	1
34	63067	. Tube - Reed plate	1
35	53685C	. Plate - Reed	1
36	65653	. Gasket - Airbox	1
37	62834	. Insulator - Reed plate	1

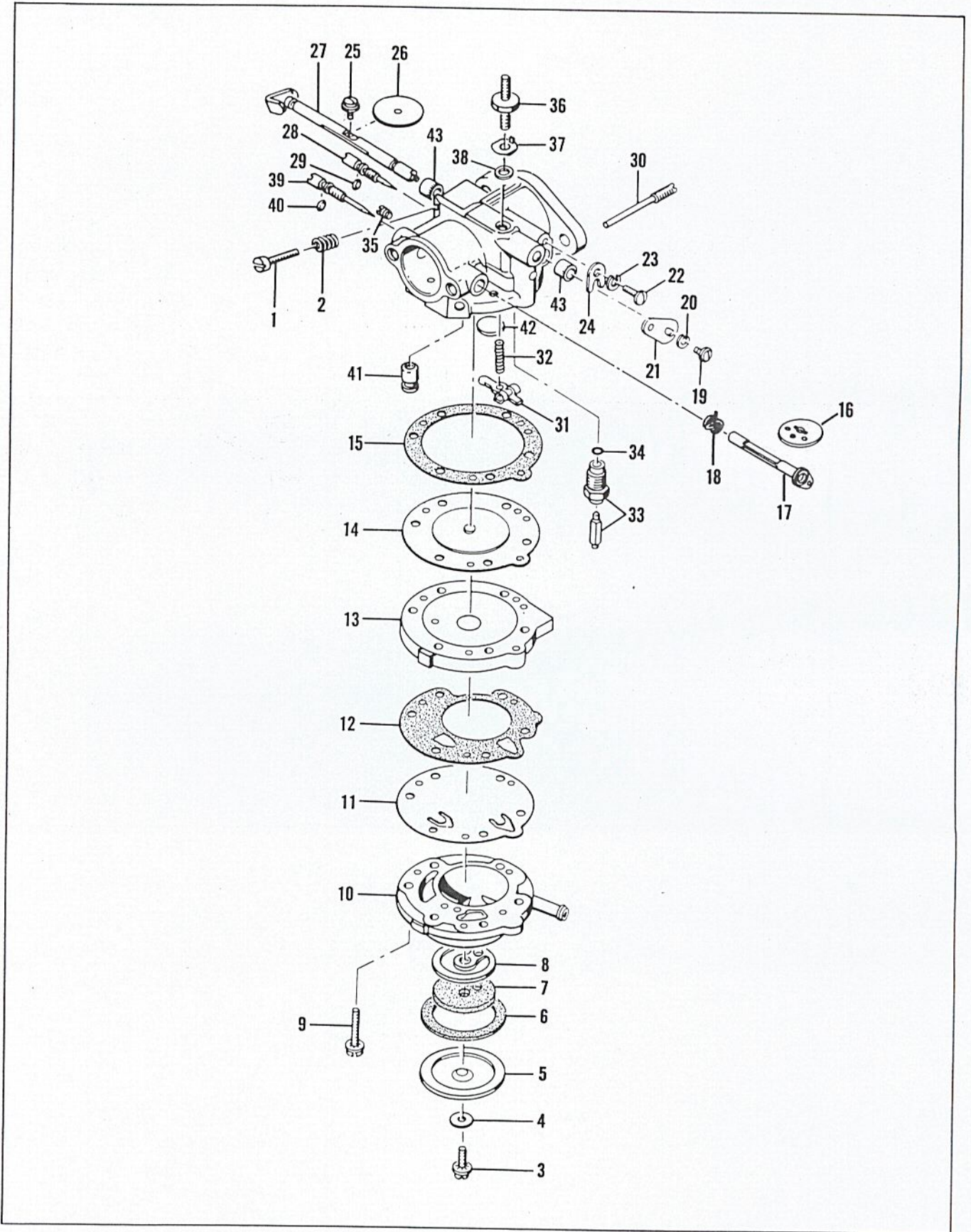


Figure 5. Carburetor

FIGURE 5. CARBURETOR ASSEMBLY

Item No.	Description	Units Per Assy
	66346 Carburetor Assy	1
1	*50799 . Screw - Idle speed	1
2	*51705 . Spring - Idle speed	1
3	*50797 . Screw - Fuel filter cover	1
4	50798 . Gasket - Fuel filter cover	1
5	50796 . Cover - Fuel filter	1
6	51704 . Gasket - Fuel filter cover	1
7	*53717 . Filter Element - Fuel	1
8	53565 . Gasket - Fuel filter	1
9	51597 . Screw - Fuel pump body	6
10	50670 . Body - Fuel pump	1
11	53164 . Diaphragm - Fuel pump	1
12	65592 . Gasket - Fuel pump	1
13	51592 . Cover - Diaphragm	1
14	*66167 . Diaphragm Assy	1
15	65591 . Gasket - Diaphragm	1
16	53813 . Shutter - Choke	1
17	53814 . Shaft and Lever - Choke	1
18	*51586 . Spring - Choke shaft return	1
19	*51719 . Screw - Throttle governor lever	1
20	*100261 . Lockwasher	1
21	51718 . Lever - Throttle governor	1
22	*51717 . Screw - Throttle shaft clip	1
23	*100252 . Lockwasher	1
24	51716 . Clip - Throttle shaft	1
25	*51721 . Screw - Throttle shutter	1

Item No.	Part Number	Description	Units Per Assy
26	51720	. Shutter - Throttle	1
27	50803A	. Throttle Shaft and Lever	1
28	*51702	. Needle Assy - Idle adjustment	1
29	104001	. . "O" Ring	1
30	*51710	. Screw - Inlet control lever pinion	1
31	*51709	. Lever - Inlet control	1
32	*66404	. Spring - Inlet Tension	1
33	*51707A	. Seat and Needle Assy	1
34	51708	. Gasket - Inlet seat	1
35	51589	. Drain Screw - Diaphragm chamber	1
36	50785	. Stud - Air cleaner attachment	1
37	63026	. Tab - Locking	1
38	63945	. Gasket - Stud	1
	-66402	. Body and Needle Assy - Carburetor	1
39	*66405	. . Needle Assy - Main adjustment	1
40	104001	. . . "O" Ring	1
41	65611	. . Check valve	1
42	*51583	. . Plug - Welch	1
43	51715	. . Bushing - Shaft	2
	*50806	Gasket - and Packing Set	1
	66422	Repair Parts Kit	1

*Indicates part in Repair Parts Kit #66422.

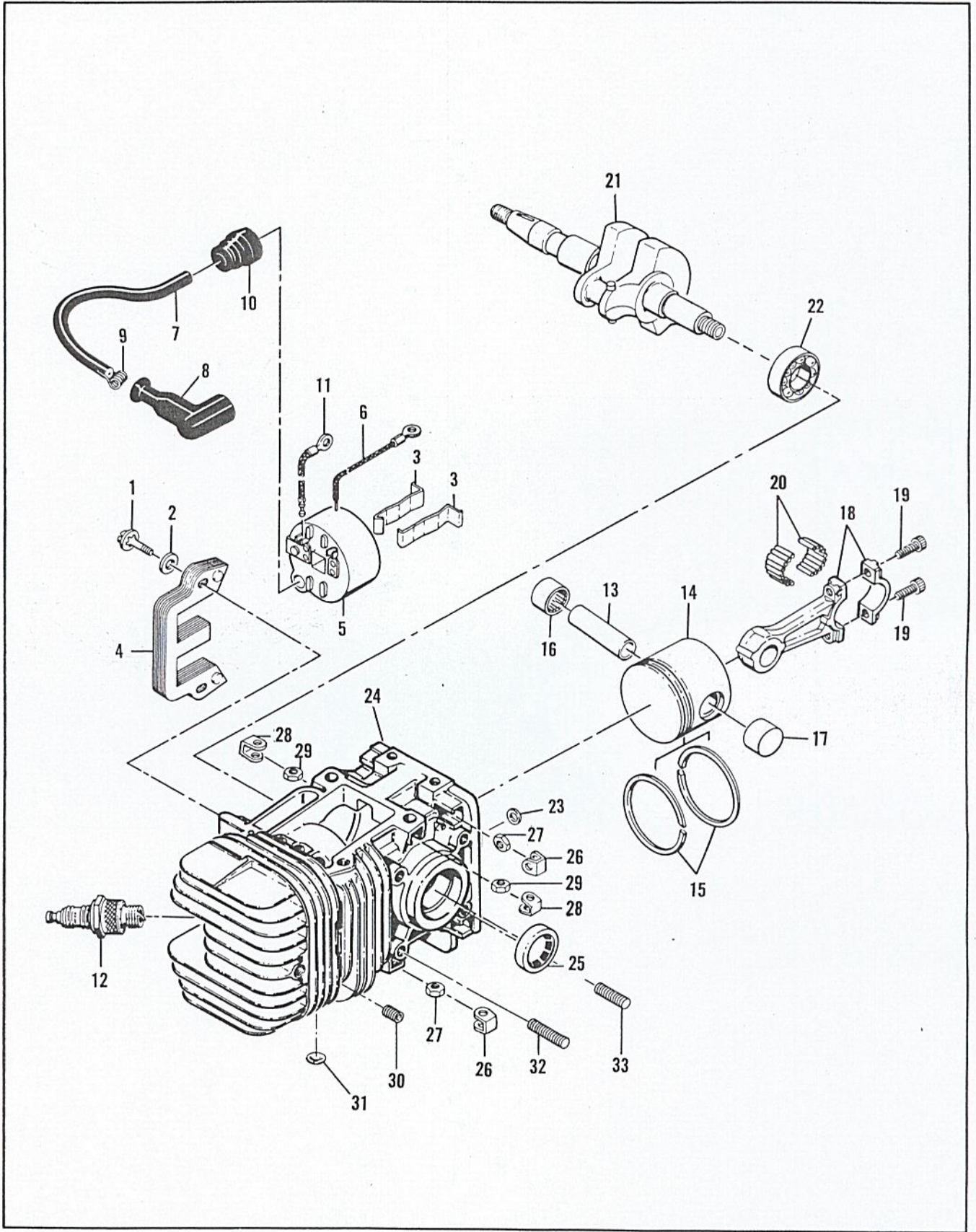


Figure 6. Powerhead Assembly

FIGURE 6. POWERHEAD ASSEMBLY

Item No.	Part Number	Description	Units Per Assy
1	104815	Screw - Hex hd 10-24 x 7/8	2
2	100352	Washer - #10	2
3	51253	Retainer - Coil	2
4	51251	Lamination Assy	1
5	57643A	Kit - Coil & Terminal Assy	1
6	101883	. Wire Assy - Ground	1
7	52547	. Wire - Spark plug	1
8	55060	. Boot - Spark plug	1
9	55061	. Connector	1
10	55617	. Nipple - Spark plug wire	1
11	57225	. Wire Assy - Primary	1
12		Spark Plug - 14 mm	1
13	62831	Pin - Piston	1
14	53941A	Piston Assy	1
15	55123	. Ring Set	1
16	101206	. Bearing	1
17	104378	. Bearing (closed end)	1

Item No.	Part Number	Description	Units Per Assy
18	47903	Connecting Rod Assy	1
19	60210A	. Screw - Skt hd 10-32 x 5/8	2
20	69891	. Roller - Needle	24
21	61860	Crankshaft	1
22	100824	Bearing - Ball	1
23	57736	Seal - Pushrod	1
24	68260	Crankcase Assy	1
25	104432	. Seal - Oil	1
26	18556A	. Retainer - Nut	6
27	105394	. Nut - Hex 1/4-20	6
28	28053	. Retainer - Nut	2
29	101326	. Nut - Hex 10-24	2
30	110034	. Insert - Taplok	3
31	110179	. Plug - Expansion	3
32	65421	. Stud - 1/4-20 x 1-3/4	2
33	65422	. Stud - 1/4-20 x 1-1/2	1

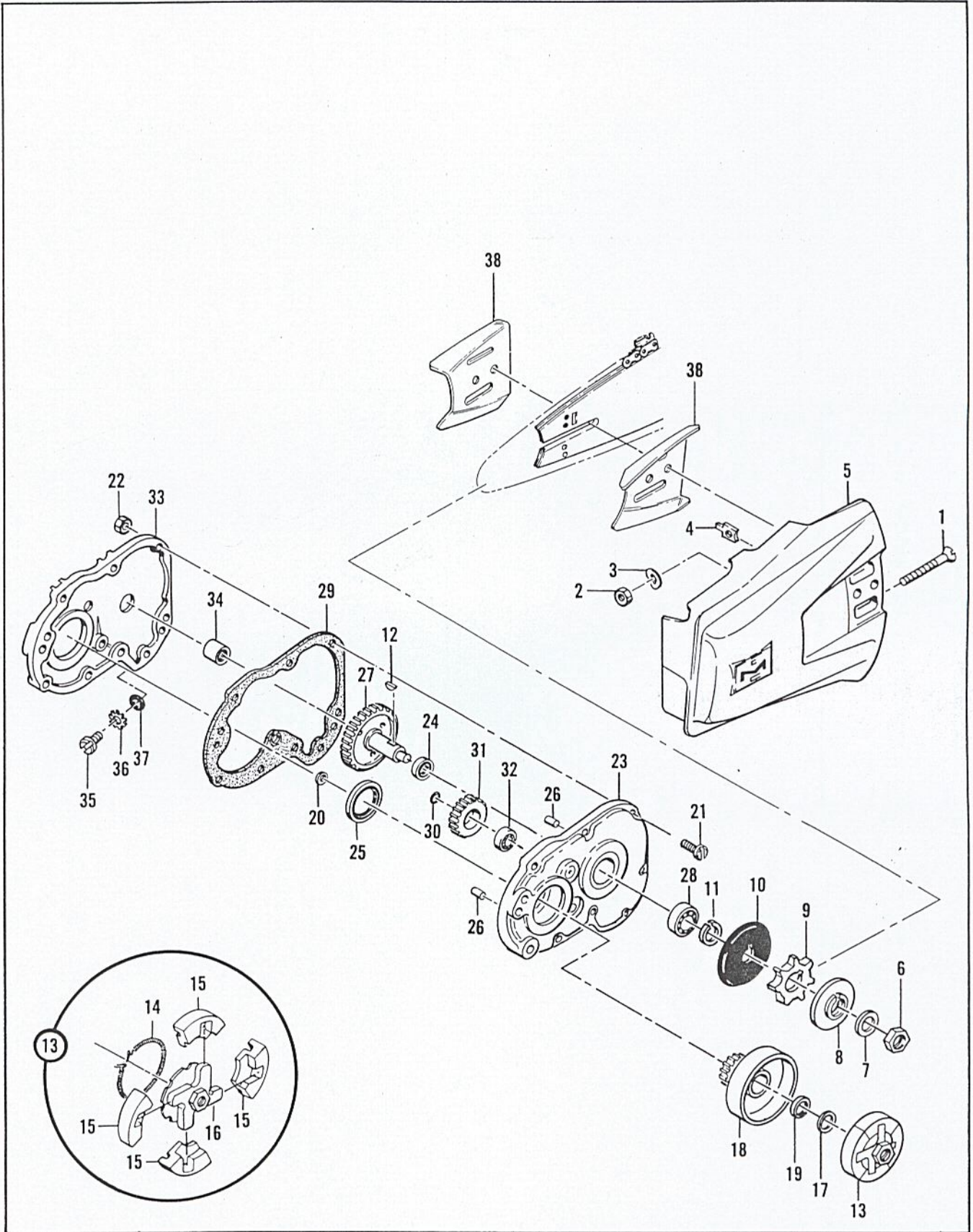


Figure 7. Transmission and Clutch Guard Assemblies

FIGURE 7. TRANSMISSION, CLUTCH GUARD ASSEMBLIES

Item No.	Part Number	Description	Units Per Assy
	61587	Guard Assy - Clutch	1
1	61908A	. Screw - Fl hd special	1
2	100640	. Nut - Hex 1/4-28	1
3	102813	. Washer - Wave	1
4	61905	. Nut - Bar adjusting	1
5	-68994	. Guard - Clutch	1
6	101179	Nut - Hex jam 7/16	1
7	100593	Washer - 7/16	1
8	36862	Shroud - Sprocket	1
9	36644A	Sprocket - 7 tooth, 1/2 in. pitch	1
10	62059	Washer - Sprocket	1
11	61354	Spacer - Sprocket	1
12	100256	Key - Woodruff	1
13	50060B	Clutch Assy	1
14	51468A	. Spring - Clutch	1
15	-51464A	. Shoe - Clutch	4
16	50144B	. Rotor Assy	1
17	63834	Washer - Special	1
18	63187	Drum & Gear Assy (3:1)	1
19	62061	. Seal - Oil	1
20	63189	Washer - Thrust (3:1)	1
	67011	Transmission Assy (3:1)	1
21	102500	. Screw - Pan hd 10-24 x 1/2	7
22	101191	. Nut - Hex 10-24	7

Item No.	Part Number	Description	Units Per Assy
23	66334	. Cover Assy - Trans (3:1)	1
24	62060	. . Seal - Oil	1
25	62062	. . Seal - Oil	1
26	101770	. . Pin - Dowel	2
27	63182	. Gear - Sprocket (3:1)	1
28	110302	. Bearing - Ball	1
29	63186	. Gasket - Gearcase cover	1
30	105614	. "O" Ring	1
31	66337	. Gear Assy - Idler (3:1)	1
32	102339	. . Bearing - Idler gear	1
33	66331	. Gearcase Assy - Transmission (3:1)	1
34	104378	. . Bearing - Needle	1
35	4623111	. . Plug	1
36	110409	. . Lockwasher	1
37	105617	. . "O" Ring	1
38	64935	. Plate - Bar protector	2

ACCESSORIES

Part Number	Description
53942A	Piston Assy 0.010 in. oversize
55124	. Ring Set 0.010 in. oversize
101206	. Bearing
104378	. Bearing (closed end)
53943A	Piston Assy 0.020 in. oversize
55125	. Ring Set 0.020 in. oversize
101206	. Bearing
104378	. Bearing (closed end)
53944A	Piston Assy 0.030 in. oversize
55126	. Ring Set 0.030 in. oversize
101206	. Bearing
104378	. Bearing (closed end)

Part Number	Description
61783	Kit - Spike
100882	. Screw - Hex hd 1/4-20 x 3/4
101143	. Nut - Hex 1/4-20
61353	Shim - Sprocket (0.030 in.)
61352	Shim - Sprocket (0.010 in.)
61040	Wrench and Screwdriver Combination
69550	Owner's Manual
36248	Wrench - Spark plug
65712	Timing Guide
69332	Kit - Baffle