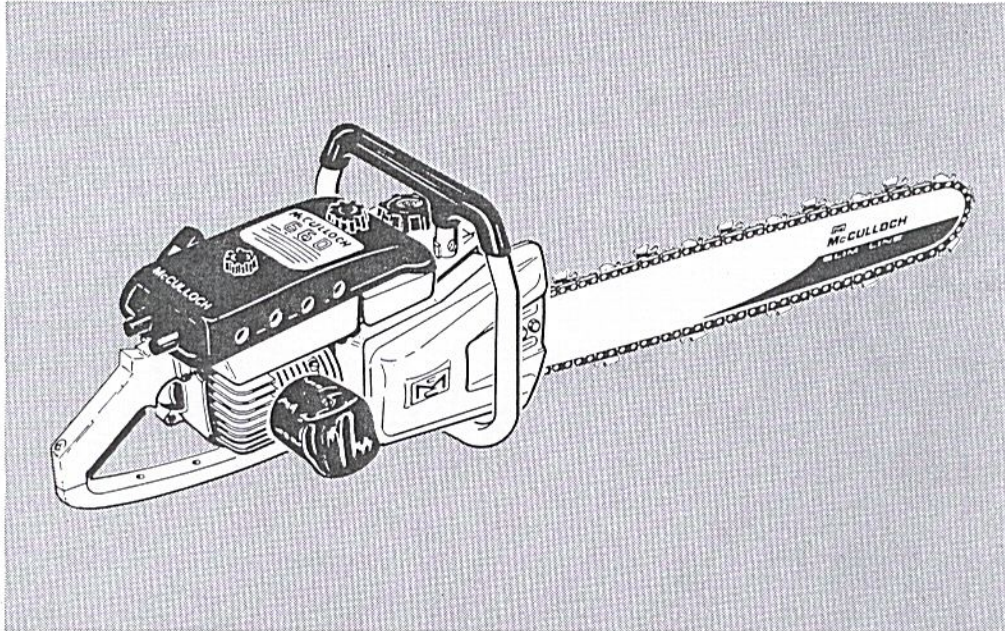


MODEL 660 Chain Saw

ILLUSTRATED PARTS LIST



May 1967

The following pages contain item-numbered illustrations of the service parts for this saw. Facing each illustration are lists which give the description and the quantity of each service part.

Part numbers will be found on the appropriate parts list sheet covering the serial number block of the particular saw. Locate the figure and item in this book, of the part in which you are interested. Then turn to the appropriate parts list sheet and following the figure and item number will be found the correct part number of the service part.

When changes in this parts list occur, either in the illustrations, in part numbers or in quantities used, these differences will be explained or shown on a superseding parts list sheet.

	Page
Figure 1. Engine Exploded View - General	2
Figure 2. Starter and Crankcase Cover Assemblies	4
Figure 3. Oiler Tank and Fuel Tank Assemblies	6
Figure 4. Cover and Airbox Assemblies	8
Figure 5. Carburetor Assembly	10
Figure 6. Powerhead Assembly	12
Figure 7. Transmission, Clutch Guard, Bar and Chain Assembly	14



McCULLOCH

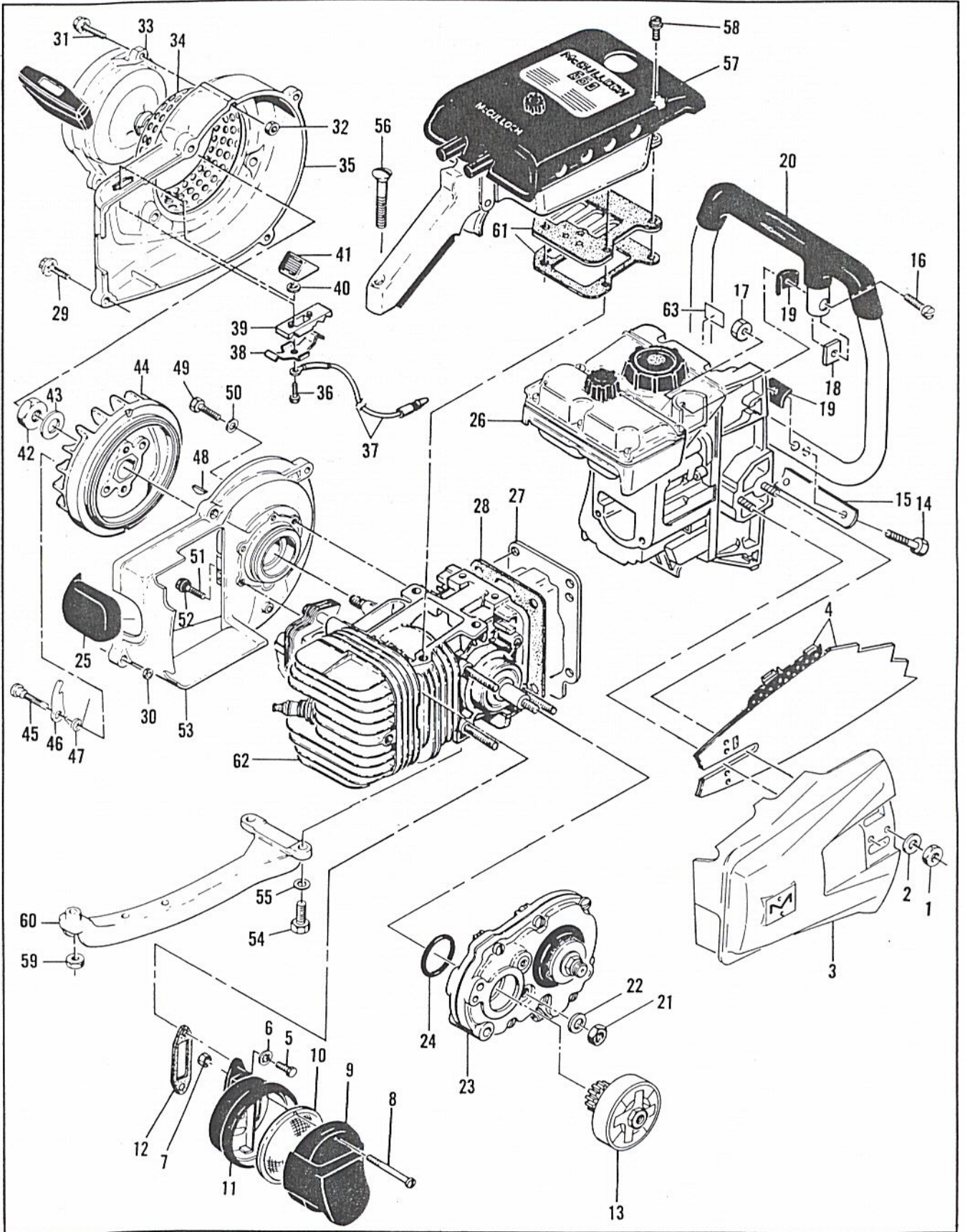


Figure 1. Engine Exploded View - General

FIGURE 1. ENGINE EXPLODED VIEW — GENERAL

Item No.	Description	Units Per Assy
1	Nut - Hex 3/8-24	2
2	Washer - 3/8	2
3	Guard Assy - Clutch (See Figure 7)	1
4	Bar and Chain Assy (See Figure 7)	1
5	Screw - Hex hd 10-24 x 5/8	2
6	Lockwasher - No. 10 internal Spark Arrester Assy	2 1
7	. Nut - Hex 10-24	2
8	. Screw - Fil hd 10-24 x 1-5/8	2
9	. Top Assy - Spark arrester	1
10	. Baffle Assy - Spark arrester	1
11	. Bottom Assy - Spark arrester	1
12	Gasket - Spark arrester	1
13	Clutch, Drum and Gear Assy (See Figure 7)	1
14	Screw - Hex hd 1/4-20 x 1-1/2	2
15	Clamp - Frame	1
16	Screw - Fil hd 1/4-20 x 1	1
17	Nut - Hex 1/4-20	3
18	Saddle - Frame	1
19	Insulator - Frame	3
20	Frame and Grip Assy	1
21	Nut - Lock Hex 1/4	3
22	Washer - 1/4	3
23	Transmission and Sprocket Assy (See Figure 7)	1
24	"O" Ring - Crankcase seal	1
25	Cover Assy - Spark plug	1
26	Oiler Tank and Fuel Tank Assy (See Figure 3)	1
27	Cover - Crankcase bottom	1
28	Gasket - Bottom	1
29	Screw - Hex hd 10-24 x 7/8 (SEMS)	4
30	Nut - Hex 10-24	2

Item No.	Description	Units Per Assy
31	Screw - Hex hd 10-24 x 7/8 (SEMS)	3
32	Nut - Hex 10-24	3
33	Starter Assy (See Figure 2)	1
34	Guard - Sawdust	1
35	Fan Housing Assy	1
36	. Screw - Hex hd 8-32 x 1/2 (SEMS)	1
37	. Wire Assy - Stop switch	1
38	. Contact - Switch	1
39	. Base - Switch	1
40	. Lockwasher - No. 8 internal	1
41	. Button - Switch	1
42	Nut - Hex 7/16	1
43	Washer - Special	1
44	Flywheel and Pawl Assy	1
45	. Pin - Starter pawl	2
46	. Pawl - Starter	2
47	. Spring - Pawl	2
48	Key - Woodruff	1
49	Screw - Hex hd 10-24 x 3/4	4
50	Washer - #10	3
51	Screw Assy	2
52	. Washer - Sealing #10	1
53	Crankcase Cover Assy (See Figure 2)	1
54	Screw - Hex hd 1/4-20 x 3/4	2
55	Washer - 1/4	2
56	Screw - Oval hd 10-24 x 1-3/4	1
57	Cover and Airbox Assy (See Figure 4)	1
58	Screw - Hex hd 10-24 x 7/8 (SEMS)	4
59	Nut - Hex 10-24	1
60	Brace - Handle	1
61	Reed Plate Assy and Insulator (See Figure 4)	1
62	Powerhead Assy (See Figure 6)	1
63	Decal - Oiler housing	1

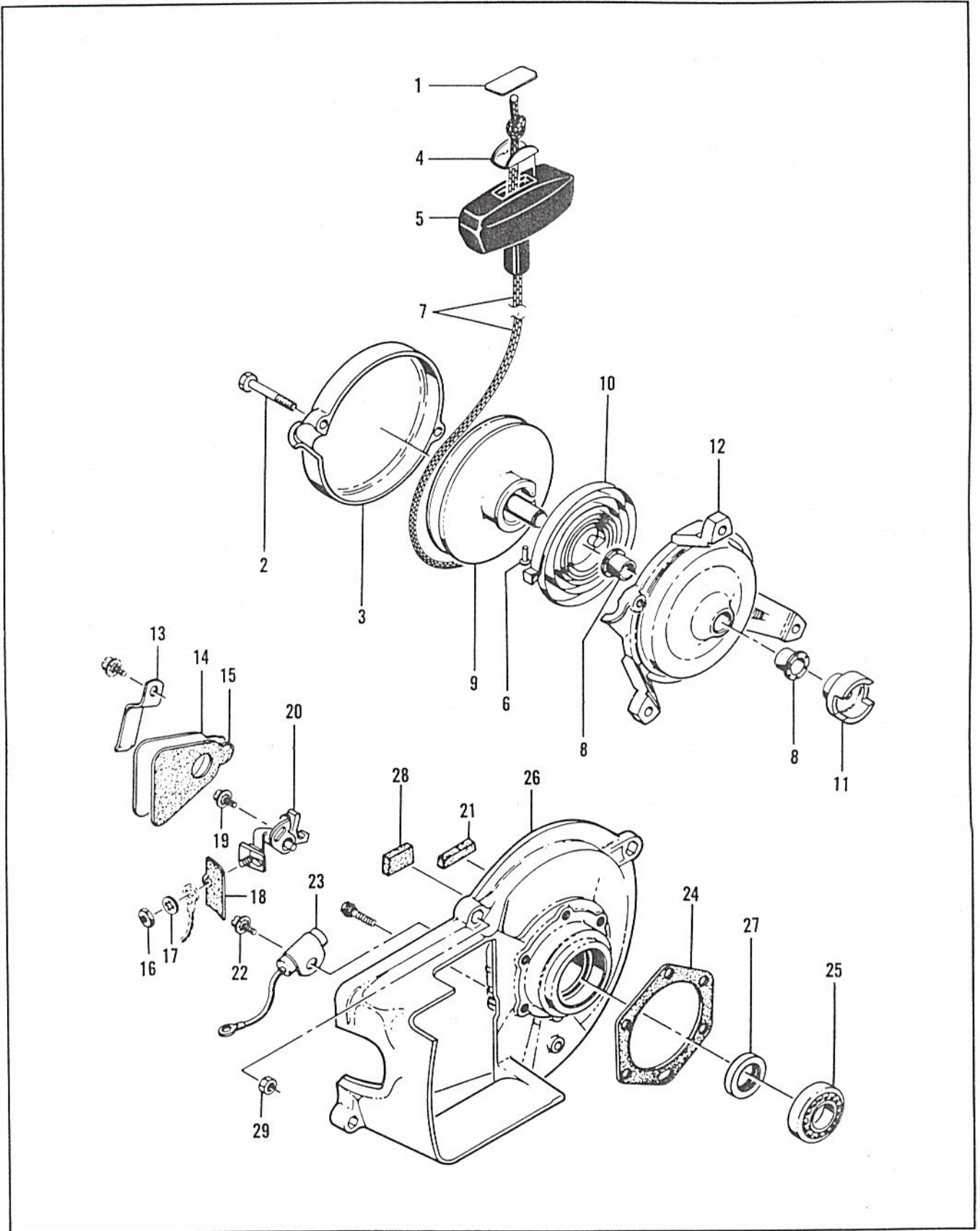


Figure 2. Starter and Crankcase Cover Assemblies

FIGURE 2. STARTER AND CRANKCASE COVER ASSEMBLIES

Item No.	Description	Units Per Assy
	Starter Assy	1
1	. Plate - Starter handle	1
2	. Screw - 10-24 x 3/4	2
3	. Cover - Starter	1
4	. Cup - Starter handle	1
5	. Handle - Starter	1
6	. Rivet	1
7	. Rope - Starter	1
8	. Bushing	2
9	. Drum - Starter	1
10	. Spring - Rewind	1
11	. Ratchet - Starter	1
12	. Base - Starter	1
13	Retainer - Breaker box cover	1
14	Cover - Breaker box	1
15	Gasket - Breaker box	1

Item No.	Description	Units Per Assy
16	Nut - Hex 8-32	1
17	Lockwasher - #8	1
18	Insulator - Breaker terminal	1
19	Screw - Hex hd 8-32 x 1/2 (SEMS)	1
20	Breaker Assy	1
21	Felt - Breaker box	1
22	Screw - Hex hd 8-32 x 1/2 (SEMS)	1
23	Condenser	1
24	Gasket - Crankcase	1
25	Bearing - Ball	1
26	Crankcase Cover Assy	1
27	. Seal - Oil	1
28	. Wiper - Felt	1
29	. Nut - Hex 10-24	2

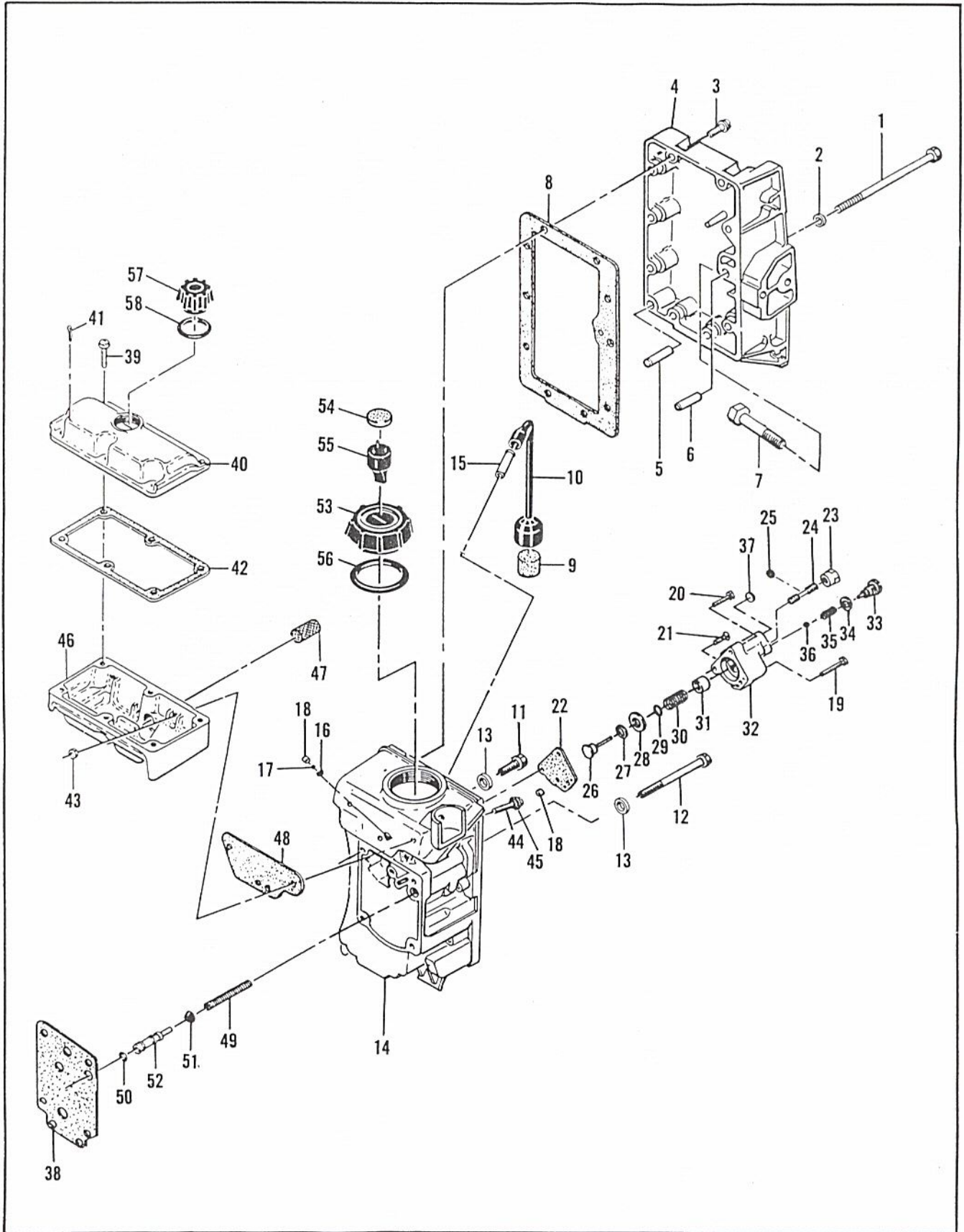


Figure 3. Oiler Tank and Fuel Tank Assemblies

FIGURE 3. OILER TANK AND FUEL TANK ASSEMBLIES

Item No.	Description	Units Per Assy
1	Screw - Fil hd 10-24 x 2-1/2	1
2	Washer - #10	1
3	Screw - Pan hd 10-24 x 3/4	9
4	Cover Assy - Fuel tank	1
5	. Dowel - 1/4 in. x 1-1/4	1
6	. Dowel - Hollow 1/4 in. x 1-3/8	1
7	. Bolt - Bar mounting	2
8	Gasket - Fuel tank cover	1
9	Filter - Fuel	1
10	Hose - Flex	1
11	Screw - Hex hd 1/4-20 x 1-1/4	3
12	Screw - Hex hd 1/4-20 x 3	1
13	Washer - Sealing 1/4	4
14	Fuel Tank Assy	1
15	. Tube - Fuel hose	1
16	. Ring - Retaining	1
17	. Ball	1
18	. Seat - Ball	2
19	Screw - Hex hd 10-24 x 1-3/4 (SEMS)	1
20	Screw - Hex hd 10-24 x 7/8 (SEMS)	1
21	Screw - Flat hd 10-24 x 3/4	1
22	Gasket - Pulse pump	1
	Pulse Pump Assy	1
23	. Locknut - 10-24	1
24	. Screw - Set 10-24 x 1-1/4	1
25	. "O" Ring	1
26	. Piston Assy	1
27	. Washer	1
28	. Ring - Piston	1
29	. "O" Ring	1

Item No.	Description	Units Per Assy
30	. Spring - Piston	1
31	. Sleeve - Piston	1
32	. Body Assy - Pulse pump	1
33	. . Screw - Fil hd special	1
34	. . Washer	1
35	. . Spring - Ball check	1
36	. . Ball - Steel 0.093 in. dia.	1
37	. . Plug - Expansion 5/8	1
38	Gasket - Fuel tank	1
39	Screw - Pan hd 10-24 x 5/8	6
40	Cover - Oil tank	1
41	Pin - Cotter	1
42	Gasket - Oil tank cover	1
43	Nut - Hex 10-24	3
44	Screw Assy - Sealing	3
45	. Washer - Sealing	3
46	Tank - Oiler	1
47	Screen - Oiler	1
48	Gasket - Oiler tank	1
49	Spring - Oiler piston	1
50	"O" Ring	1
51	Cup - Oiler piston	1
52	Piston - Oiler	1
53	Fuel Cap Assy	1
54	. Filter - Fuel cap	1
55	. Valve - Fuel cap	1
56	"O" Ring	1
57	Cap - Oil filler	1
58	"O" Ring	1

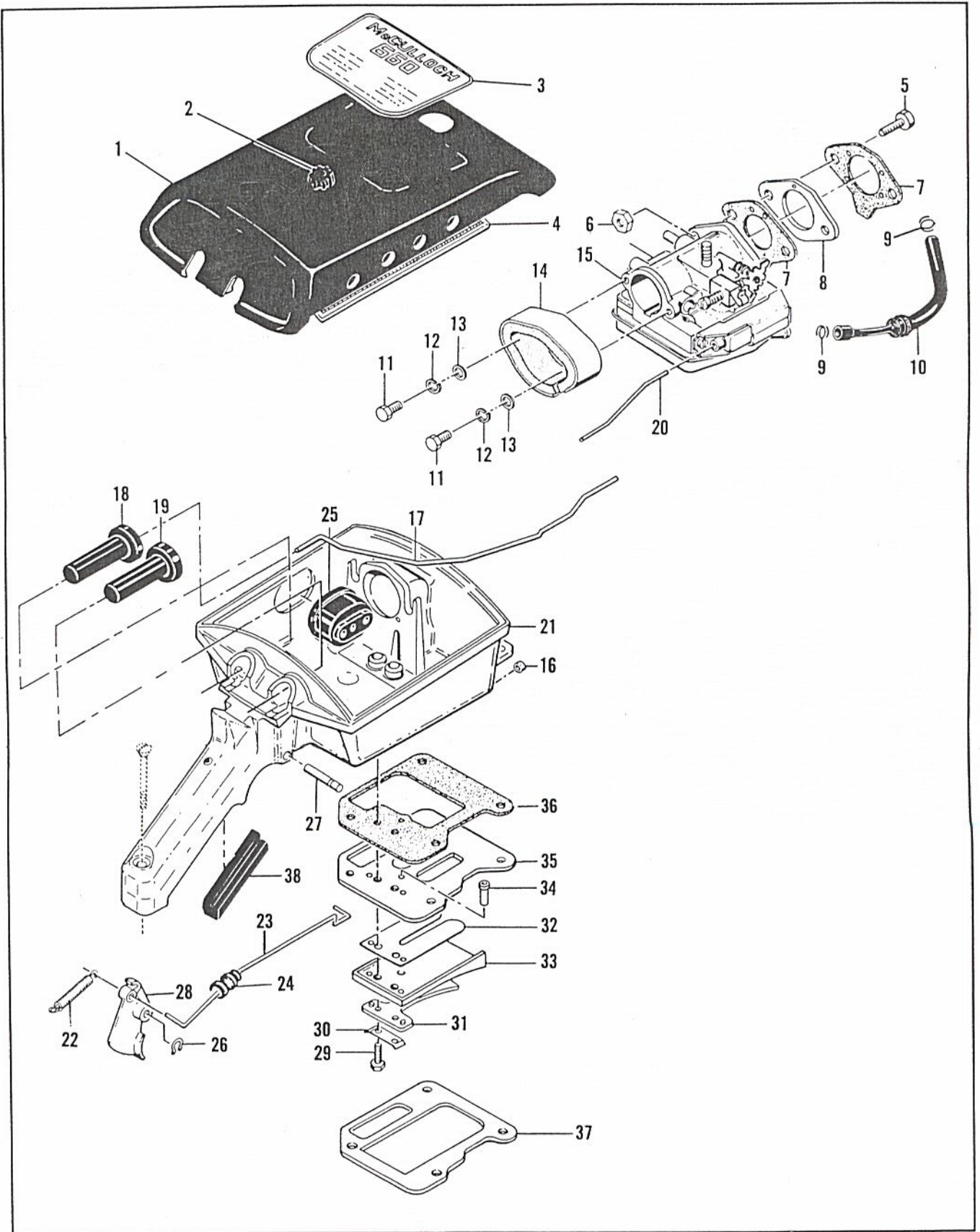


Figure 4. Cover and Airbox Assemblies

FIGURE 4. COVER AND AIRBOX ASSEMBLIES

Item No.	Description	Units Per Assy
1	Cover Assy - Air cleaner	1
2	. Knob - Air cleaner cover	1
3	Plate - Name	1
4	Screen - Air cleaner	1
5	Screw - Hex hd 1/4-20 x 7/8	2
6	Nut - Hex 10-24	2
7	Gasket - Carburetor	2
8	Adapter - Carburetor	1
9	Clamp - Fuel hose	2
10	Hose - Fuel	1
11	Screw - Hex hd 10-32 x 9/16	2
12	Lockwasher No. 10	2
13	Washer - #10	2
14	Collector Assy - Fuel	1
15	Carburetor Assy (See Figure 5)	1
16	Seal - Oiler pushrod	1
17	Pushrod - Oiler	1
18	Button - Oiler	1
19	Button - Primer	1

Item No.	Description	Units Per Assy
20	Pushrod - Primer	1
21	Airbox Assy	1
22	. Spring - Throttle	1
23	. Rod - Throttle	1
24	. Grommet - Throttle rod	1
25	. Grommet - Carburetor controls	1
26	. Retainer - Trigger pin	1
27	. Pin	1
28	. Trigger	1
29	. Screw - Hex hd 8-32 x 5/8	2
30	. Plate - Lock	1
31	. Clamp - Reed	1
32	. Valve - Reed	1
33	. Deflector - Fuel	1
34	. Tube - Reed plate	1
35	. Plate - Reed	1
36	. Gasket - Airbox	1
37	. Insulator - Reed plate	1
38	Insert - Handle	1

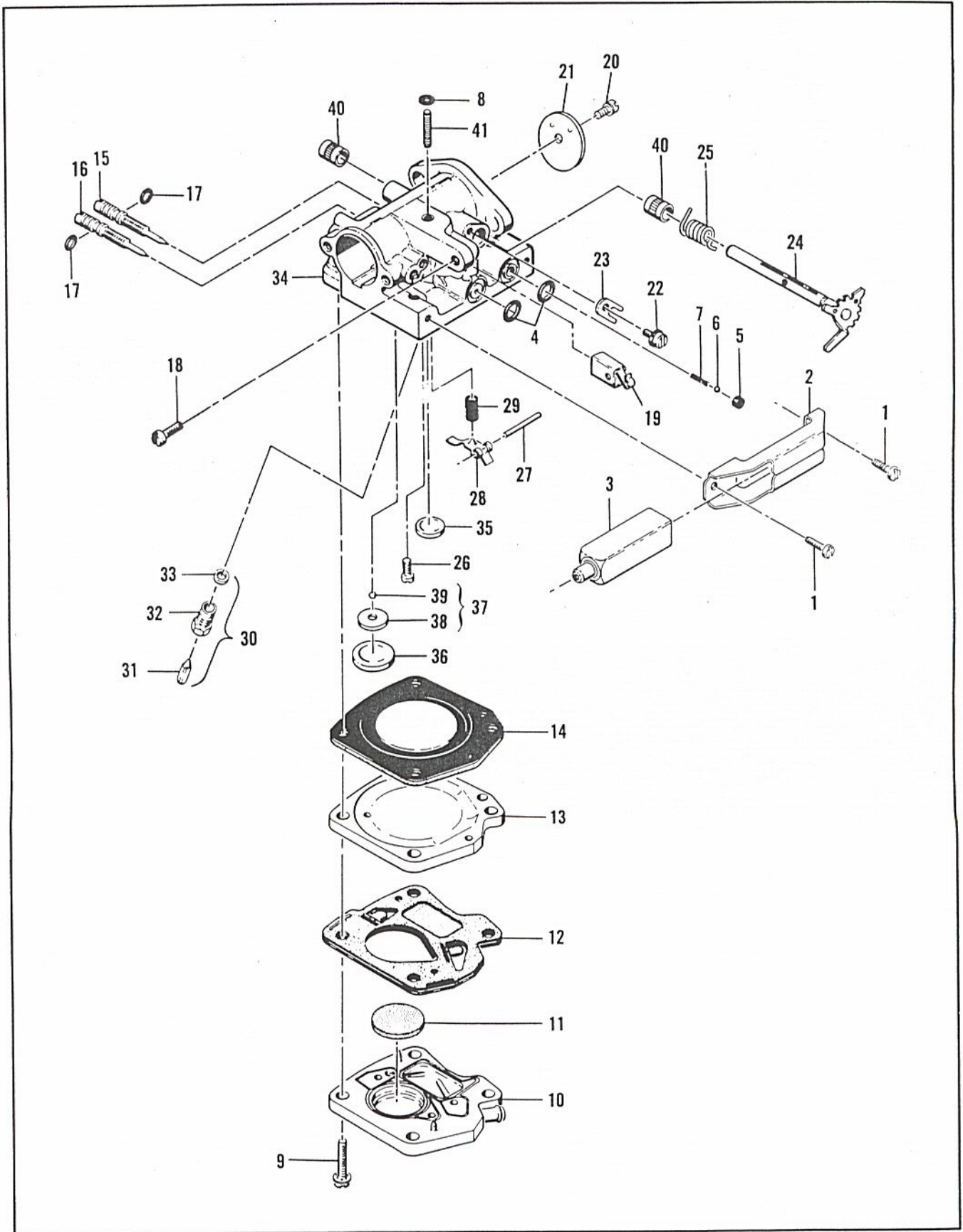


Figure 5. Carburetor Assembly

FIGURE 5. CARBURETOR ASSEMBLY

Item No.	Description	Units Per Assy
	Carburetor Assy	1
1	. Screw - Pan hd 6-32 x 3/8	2
2	. Bracket - Primer mounting	1
3	. Primer Assy	1
4	. "O" Ring	2
5	. Seat - Primer valve	1
6	. Ball - Steel 1/8	1
7	. Spring - Primer	1
8	. Grommet	1
9	. Screw - 10-24 x 7/8 (SEMS)	4
10	. Body Assy - Fuel pump	1
11	. . Filter - Fuel pump	1
12	. Diaphragm Assy - Fuel pump	1
13	. Plate - Carburetor diaphragm	1
14	. Diaphragm - Carburetor	1
15	. Needle - Idle adjustment	1
16	. Needle - Main adjustment	1
17	. "O" Ring	2
18	. Screw - Fil hd long locking	1
19	. Guide - Throttle rod	1
20	. Screw - 4-40 x 1/4 (SEMS)	1

Item No.	Description	Units Per Assy
21	. Plate - Throttle	1
22	. Screw - 8-32 x 3/8 (SEMS)	1
23	. Clip - Shaft	1
24	. Shaft Assy - Throttle	1
25	. Spring - Idle governor	1
26	. Screw - Pan hd 4-40 x 1/4	1
27	. Pin - Lever	1
28	. Lever - Inlet control	1
29	. Spring - Inlet control	1
30	. Valve Set - Needle and body	1
31	. . Needle - Inlet control	1
32	. . Body - Needle valve	1
33	. . Washer - Needle valve	1
34	. Body Assy - Carburetor	1
35	. . Plug - Expansion 1/2 in.	1
36	. . Plug - Expansion 1 in.	1
37	. . Set - Ball and seat	1
38	. . . Seat - Ball	1
39	. . . Ball - Nylon 3/32 in.	1
40	. . Bushing - Body	2
41	. . Stud	1

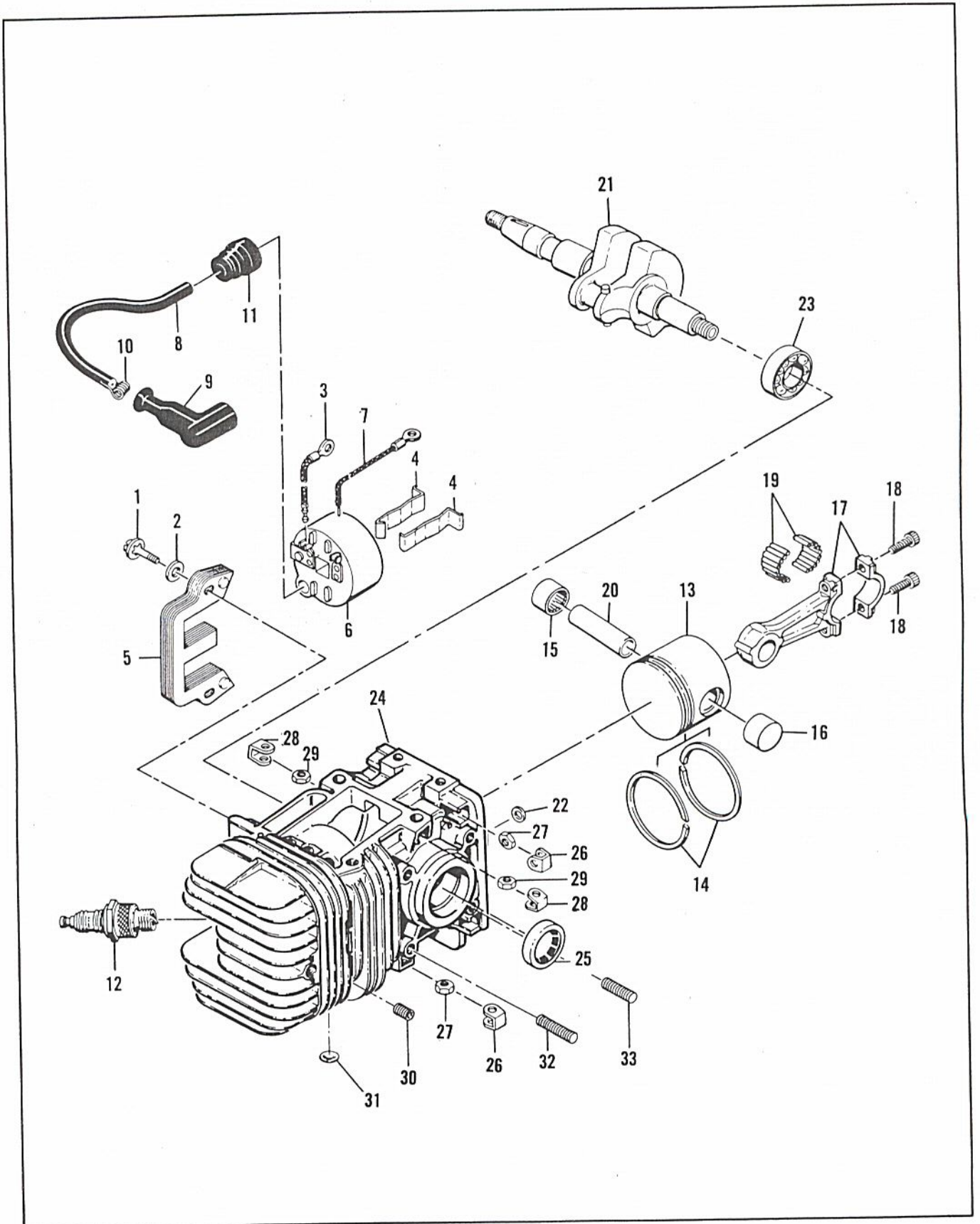


Figure 6. Powerhead Assembly

FIGURE 6. POWERHEAD ASSEMBLY

Item No.	Description	Units Per Assy
1	Screw - Hex hd 10-32 x 7/8	2
2	Washer - #10	2
3	Wire Assy - Primary	1
4	Retainer - Coil	2
5	Lamination Assy	1
6	Coil and Terminal Assy	1
7	. Wire Assy - Ground	1
8	. Wire Assy - Spark plug	1
9	. . Boot - Spark plug	1
10	. . Connector	1
11	. Nipple - Spark plug wire	1
12	Spark Plug 14 MM	1
13	Piston Assy	1
14	. Ring Set - Piston	1
15	. Bearing	1
16	. Bearing (closed end)	1
17	Connecting Rod Assy	1

Item No.	Description	Units Per Assy
18	. Screw - Socket hd 10-32 x 5/8	2
19	. Roller - Needle	24
20	Pin - Piston	1
21	Crankshaft	1
22	Seal - Pushrod	1
23	Bearing - Ball	1
24	Crankcase Assy	1
25	. Seal - Oil	1
26	. Retainer - Nut	6
27	. Nut - Hex 1/4-20	6
28	. Retainer - Nut	2
29	. Nut - Hex 10-24	2
30	. Insert - Taplok	2
31	. Plug - Expansion	3
32	. Stud - 1/4-20 x 1-3/4	2
33	. Stud - 1/4-20 x 1-1/2	1

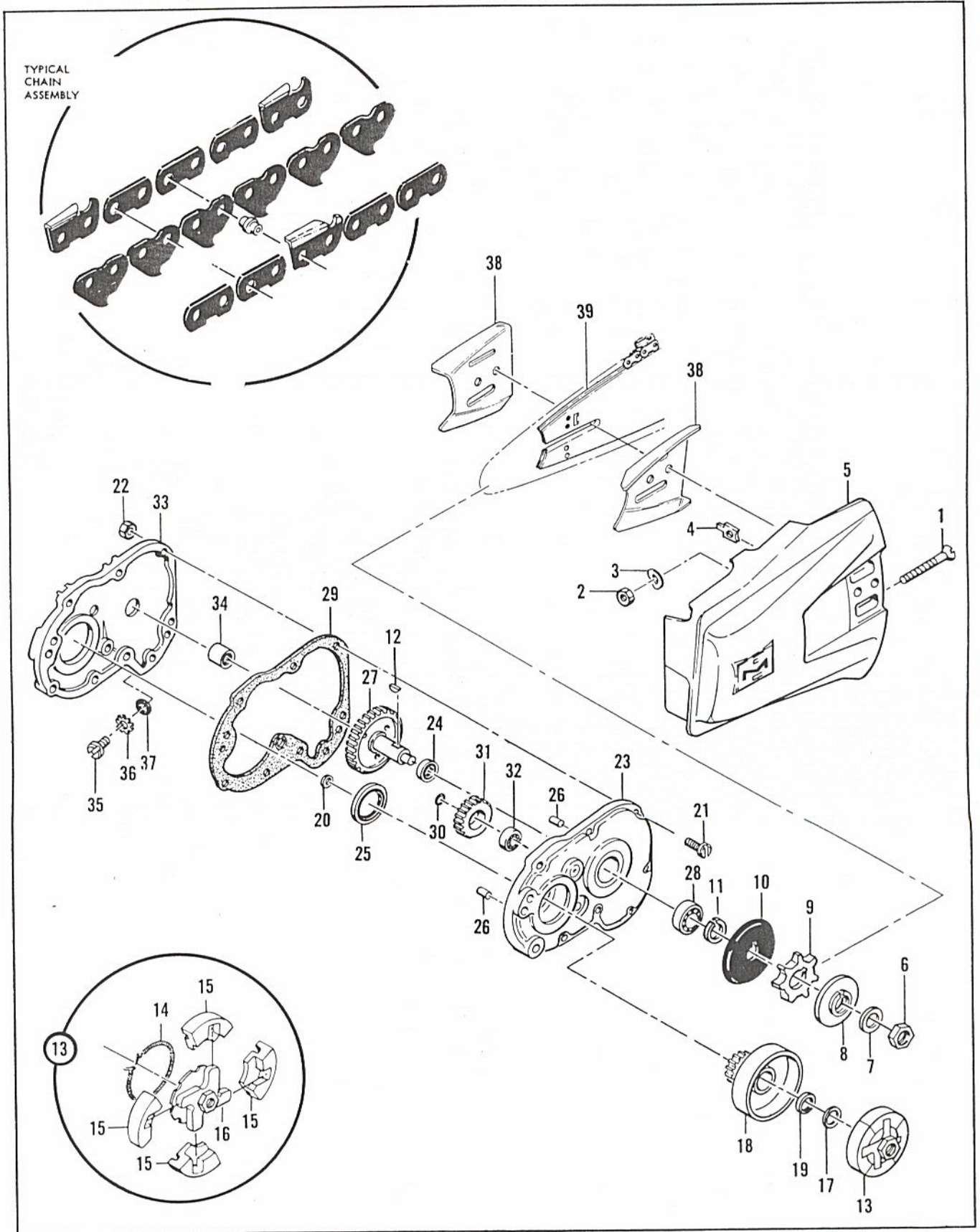


Figure 7. Transmission, Clutch Guard, Bar and Chain Assemblies

FIGURE 7. TRANSMISSION, CLUTCH GUARD, BAR AND CHAIN

Item No.	Description	Units Per Assy
	Guard Assy - Clutch	1
1	. Screw - Flat hd 1/4-28 x 2-1/2	1
2	. Nut - Lock 1/4-28	1
3	. Washer - Wave	1
4	. Nut - Bar adjusting	1
5	. Guard - Clutch	1
6	Nut - Hex jam 7/16 in.	1
7	Washer - Plain 7/16 in.	1
8	Shroud - Sprocket	1
9	Sprocket - 7 tooth, 1/2 in. pitch	1
10	Washer - Sprocket	1
11	Spacer - Sprocket	1
12	Key - Woodruff #6	1
13	Clutch Assy	1
14	. Spring - Clutch	1
15	. Shoe - Clutch	4
16	. Rotor Assy - Clutch	1
17	Washer - Special	1
18	Drum and Gear Assy	1
19	. Seal - Oil	1
20	Washer - Thrust	1

Item No.	Description	Units Per Assy
	Transmission Assy	1
21	. Screw - Pan hd 10-24 x 1/2	7
22	. Nut - Hex 10-24	7
23	. Cover Assy - Transmission	1
24	. . Seal - Oil	1
25	. . Seal - Oil	1
26	. . Pin - Dowel	2
27	. Gear - Sprocket	1
28	. Bearing - Ball	1
29	. Gasket - Gearcase cover	1
30	. "O" Ring	1
31	. Gear Assy - Idler	1
32	. . Bearing - Idler gear	1
33	. Gearcase Assy - Transmission	1
34	. . Bearing - Needle	1
35	. . Plug	1
36	. . Lockwasher	1
37	. . "O" Ring	1
38	. Plate - Bar protector	2
39	Bar and Chain	

ACCESSORIES

Item No.	Description
1	Piston Assy 0.010 in. oversize
2	. Ring Set 0.010 in. oversize
3	. Bearing
4	. Bearing (closed end)
5	Piston Assy 0.020 in. oversize
6	. Ring Set 0.020 in. oversize
7	. Bearing
8	. Bearing (closed end)
9	Piston Assy 0.030 in. oversize
10	. Ring Set 0.030 in. oversize
11	. Bearing

Item No.	Description
12	. Bearing (closed end)
13	Kit - Spike
14	. Screw - Hex hd 1/4-20 x 3/4
15	. Nut - Hex 1/4-20
16	Shim - Sprocket (0.030 in.)
17	Shim - Sprocket (0.010 in.)
18	Wrench and Screwdriver Combination
19	Owner's Manual
20	Wrench - Spark plug
21	Timing Guide
22	Baffle - Spark arrester (alternate)

This Part Number List should be used with Illustrated Parts List #67278 when ordering parts for chain saws of this serial number group.

Model 660

TRANS. RATIO = 2 to 1
Serial Numbers Prefixed 10-

PART NUMBER LIST

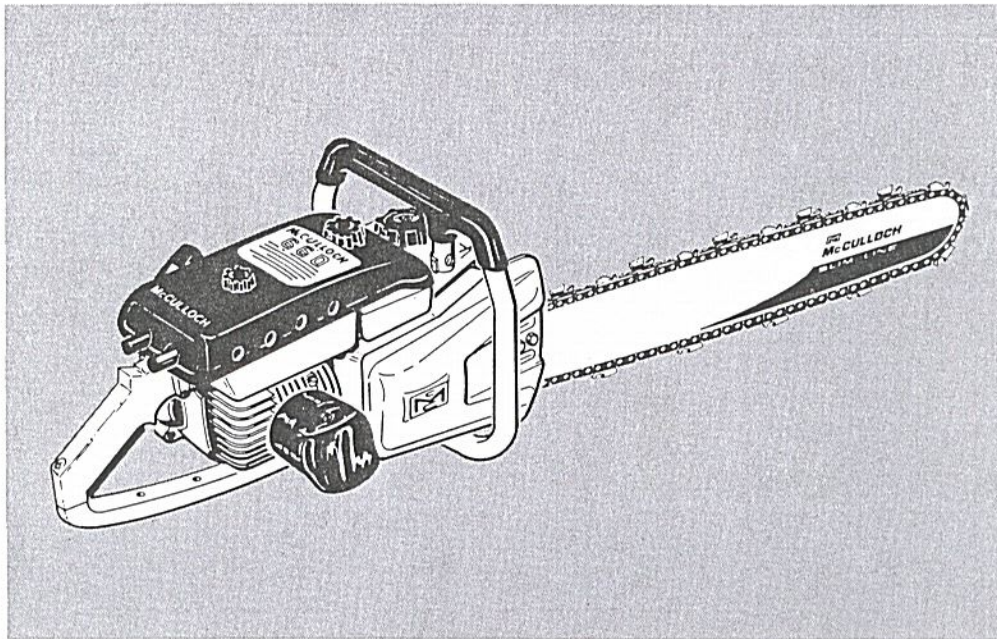


Figure and Item Numbers are the same as shown in the Illustrated Parts List unless noted otherwise on the pages that follow. Numbers in black circles refer to notes at the end of the list. Numbers in parenthesis following the part number indicate a quantity change from the Illustrated Parts List.

This Part Number List is number 1 of the lists issued for the above chain saw model. If you are missing any of these lists, order them from your distributor. Keep each list handy with its proper illustrated parts list to help identify and make ordering of service parts easier.

 **McCULLOCH**

#67279

FIG. & ITEM	PART NUMBER	NOMENCLATURE	FIG. & ITEM	PART NUMBER	NOMENCLATURE	FIG. & ITEM	PART NUMBER	NOMENCLATURE
1-1	103729	Nut	2-2	104396	Screw	3-37	110157	Plug
1-2	100006	Washer	2-3	60647	Cover	3-38	65669	Gasket
1-3	Fig. reference		2-4	57231	Cup	3-39	104395	Screw
1-4	Fig. reference		2-5	57230	Handle	3-40	57114A	Cover
1-5	102388	Screw	2-6	101136	Rivet	3-41	100010	Pin
1-6	103100	Lockwasher	2-7	28716	Rope	3-42	57152	Gasket
1-	63910	Spark Arr	2-8	57535	Bushing	3-43	101326	Nut
1-7	101191	Nut	2-9	57792	Drum	3-44	55494	Screw
1-8	110371	Screw	2-10	51665	Spring	3-45	55492	Washer
1-9	53205B	Top Assy	2-11	57790	Ratchet	3-46	57112A	Tank
1-10	51968	Baffle	2-12	60646	Base	3-47	57279	Screen
1-11	52424B	Bottom Assy	2-13	50671	Retainer	3-48	57147	Gasket
1-12	53652	Gasket	2-14	50588A	Cover	3-49	63943	Spring
1-13	Fig. reference		2-15	65584	Gasket	3-50	101056	"O" Ring
1-14	102130	Screw	2-16	100251	Nut	3-51	24104A	Cup
1-15	50215	Clamp	2-17	100057	Lockwasher	3-52	63122	Piston
1-16	103267	Screw	2-18	50381A	Insulator	3-53	55934B	Cap
1-17	101143	Nut	2-19	103672	Screw	3-54	55063	Filter
1-18	57133	Saddle	2-20	50076A	Breaker	3-55	53766A	Valve
1-19	62244	Insulator	2-21	50664	Felt	3-56	101348	"O" Ring
1-20	61446A	Frame	2-22	103672	Screw	3-57	57129A	Cap
1-21	101143	Nut	2-23	50074	Condenser	3-58	101148	"O" Ring
1-22	100004	Washer	2-24	51240	Gasket			
1-23	Fig. reference		2-25	100824	Bearing			
1-24	104535	"O" Ring	2-26	57126A	Cover	4-1	67288	Cover
1-25	57565	Cover	2-27	50663	Seal	4-2	60242	Knob
1-26	Fig. reference		2-28	54184	Wiper	4-3	67275	Plate
1-27	60251A	Cover	2-29	101326	Nut	4-4	63453	Screen
1-28	65654	Gasket				4-5	60208	Screw
1-29	104815	Screw				4-6	103242	Nut
1-30	101326	Nut	3-1	101975	Screw	4-7	65583	Gasket
1-31	104815	Screw	3-2	100003	Washer	4-8	53189	Adapter
1-32	101191	Nut	3-3	102763	Screw	4-9	50742	Clamp
1-33	60130	Starter	3-4	61583	Cover	4-10	67094	Hose
1-34	50581A	Guard	3-5	101209	Dowel	4-11	103705	Screw
1-35	53488	Fan Housing	3-6	61871	Dowel	4-12	103174	Lockwasher
1-36	103672	Screw	3-7	61437	Bolt	4-13	102189	Washer
1-37	53490	Wire	3-8	61586	Gasket	4-14	58922A	Collector
1-38	59592	Contact	3-9	50124A	Filter	4-15	61853B	Carburetor
1-39	59591	Base	3-10	50082	Hose	4-16	57736	Seal
1-40	100057	Lockwasher	3-11	102128	Screw	4-17	62226	Pushrod
1-41	57718	Button	3-12	102150	Screw	4-18	50591B	Button
1-42	101179	Nut	3-13	110300	Washer	4-19	50591B	Button
1-43	101270	Washer	3-14	62443A	Tank Assy	4-20	53589A	Pushrod
1-44	65768	Flywheel	3-15	28042	Tube	4-21	62488	Airbox
1-45	36144B	Pin	3-16	110327	Ring	4-22	36499	Spring
1-46	24093	Pawl	3-17	100071	Ball	4-23	61106	Rod
1-47	50582	Spring	3-18	62216	Seat	4-24	60237	Grommet
1-48	103879	Key	3-19	110257	Screw	4-25	53277	Grommet
1-49	102289	Screw	3-20	104138	Screw	4-26	104501	Retainer
1-50	102189	Washer	3-21	110245	Screw	4-27	50507	Pin
1-51	55494	Screw	3-22	65673	Gasket	4-28	50091B	Trigger
1-52	55492	Washer	3-	60253D	Pump Assy	4-29	103740	Screw
1-53	57126A	Cover	3-23	60976	Locknut	4-30	51480	Plate
1-54	100882	Screw	3-24	62890	Screw	4-31	57658A	Clamp
1-55	100004	Washer	3-25	104001	"O" Ring	4-32	48593	Valve
1-56	104435	Screw	3-26	60260A	Piston	4-33	53686A	Deflector
1-57	Fig. reference		3-27	60937	Washer	4-34	63067	Tube
1-58	110127	Screw	3-28	60263	Ring	4-35	53685C	Plate
1-59	101191	Nut	3-29	101758	"O" Ring	4-36	65653	Gasket
1-60	50041	Brace	3-30	60259	Spring	4-37	62834	Insulator
1-61	Fig. reference		3-31	60258A	Sleeve	4-38	50218A	Insert
1-62	Fig. reference		3-32	60254D	Body			
1-63	59445	Decal	3-33	60397A	Screw			
			3-34	60398B	Washer	5-	61853B	Carburetor
2-	60130	Starter	3-35	60396B	Spring	5-1	110054	Screw
2-1	57232	Plate	3-36	102809	Ball			<i>Continued</i>

This Part Number List should be used with Illustrated Parts List #67278 when ordering parts for chain saws of this serial number group.

Model 660

TRANS. RATIO = 3 to 1

Serial Numbers Prefixed 10-

PART NUMBER LIST

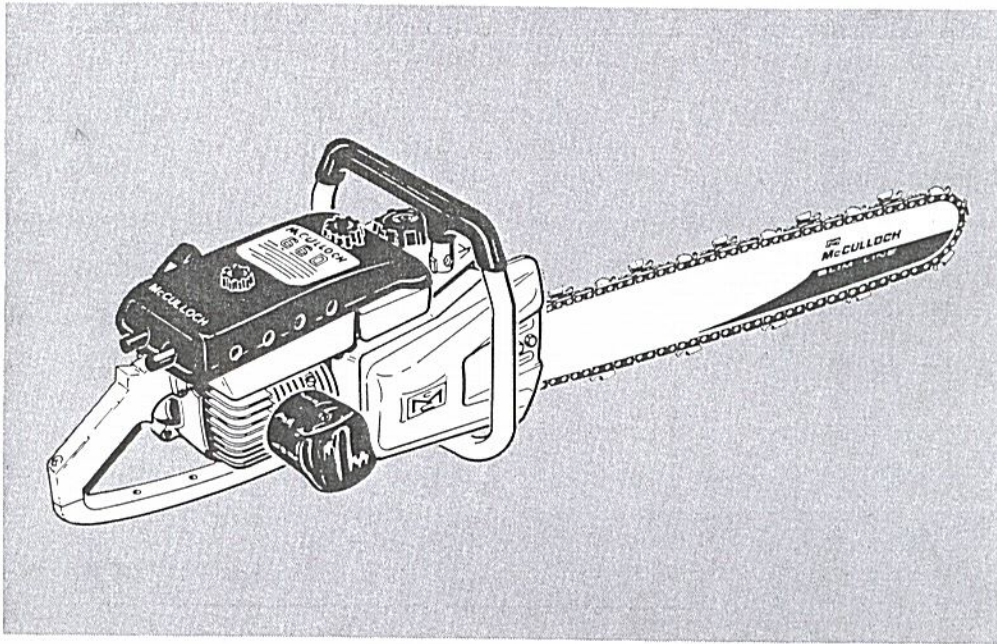


Figure and Item Numbers are the same as shown in the Illustrated Parts List unless noted otherwise on the pages that follow. Numbers in black circles refer to notes at the end of the list. Numbers in parenthesis following the part number indicate a quantity change from the Illustrated Parts List.

This Part Number List is number 1 of the lists issued for the above chain saw model. If you are missing any of these lists, order them from your distributor. Keep each list handy with its proper illustrated parts list to help identify and make ordering of service parts easier.

 **McCULLOCH**

#67284

FIG. & ITEM	PART NUMBER	NOMENCLATURE	FIG. & ITEM	PART NUMBER	NOMENCLATURE	FIG. & ITEM	PART NUMBER	NOMENCLATURE
1-1	103729	Nut	2-2	104396	Screw	3-37	110157	Plug
1-2	100006	Washer	2-3	60647	Cover	3-38	65669	Gasket
1-3	Fig. reference		2-4	57231	Cup	3-39	104395	Screw
1-4	Fig. reference		2-5	57230	Handle	3-40	57114A	Cover
1-5	102388	Screw	2-6	101136	Rivet	3-41	100010	Pin
1-6	103100	Lockwasher	2-7	28716	Rope	3-42	57152	Gasket
1-	63910	Spark Arr	2-8	57535	Bushing	3-43	101326	Nut
1-7	101191	Nut	2-9	57792	Drum	3-44	55494	Screw
1-8	110371	Screw	2-10	51665	Spring	3-45	55492	Washer
1-9	53205B	Top Assy	2-11	57790	Ratchet	3-46	57112A	Tank
1-10	51968	Baffle	2-12	60646	Base	3-47	57279	Screen
1-11	52424B	Bottom Assy	2-13	50671	Retainer	3-48	57147	Gasket
1-12	53652	Gasket	2-14	50588A	Cover	3-49	63943	Spring
1-13	Fig. reference		2-15	65584	Gasket	3-50	101056	"O" Ring
1-14	102130	Screw	2-16	100251	Nut	3-51	24104A	Cup
1-15	50215	Clamp	2-17	100057	Lockwasher	3-52	63122	Piston
1-16	103267	Screw	2-18	50381A	Insulator	3-53	55934B	Cap
1-17	101143	Nut	2-19	103672	Screw	3-54	55063	Filter
1-18	57133	Saddle	2-20	50076A	Breaker	3-55	53766A	Valve
1-19	62244	Insulator	2-21	50664	Felt	3-56	101348	"O" Ring
1-20	61446A	Frame	2-22	103672	Screw	3-57	57129A	Cap
1-21	101143	Nut	2-23	50074	Condenser	3-58	101148	"O" Ring
1-22	100004	Washer	2-24	51240	Gasket			
1-23	Fig. reference		2-25	100824	Bearing			
1-24	104535	"O" Ring	2-26	57126A	Cover	4-1	67288	Cover
1-25	57565	Cover	2-27	50663	Seal	4-2	60242	Knob
1-26	Fig. reference		2-28	54184	Wiper	4-3	67275	Plate
1-27	60251A	Cover	2-29	101326	Nut	4-4	63453	Screen
1-28	65654	Gasket				4-5	60208	Screw
1-29	104815	Screw				4-6	103242	Nut
1-30	101326	Nut	3-1	101975	Screw	4-7	65583	Gasket
1-31	104815	Screw	3-2	100003	Washer	4-8	53189	Adapter
1-32	101191	Nut	3-3	102763	Screw	4-9	50742	Clamp
1-33	60130	Starter	3-4	61583	Cover	4-10	67094	Hose
1-34	50581A	Guard	3-5	101209	Dowel	4-11	103705	Screw
1-35	53488	Fan Housing	3-6	61871	Dowel	4-12	103174	Lockwasher
1-36	103672	Screw	3-7	61437	Bolt	4-13	102189	Washer
1-37	53490	Wire	3-8	61586	Gasket	4-14	58922A	Collector
1-38	59592	Contact	3-9	50124A	Filter	4-15	61853B	Carburetor
1-39	59591	Base	3-10	50082	Hose	4-16	57736	Seal
1-40	100057	Lockwasher	3-11	102128	Screw	4-17	62226	Pushrod
1-41	57718	Button	3-12	102150	Screw	4-18	50591B	Button
1-42	101179	Nut	3-13	110300	Washer	4-19	50591B	Button
1-43	101270	Washer	3-14	62443A	Tank Assy	4-20	53589A	Pushrod
1-44	65768	Flywheel	3-15	28042	Tube	4-21	62488	Airbox
1-45	36144B	Pin	3-16	110327	Ring	4-22	36499	Spring
1-46	24093	Pawl	3-17	100071	Ball	4-23	61106	Rod
1-47	50582	Spring	3-18	62216	Seat	4-24	60237	Grommet
1-48	103879	Key	3-19	110257	Screw	4-25	53277	Grommet
1-49	102289	Screw	3-20	104138	Screw	4-26	104501	Retainer
1-50	102189	Washer	3-21	110245	Screw	4-27	50507	Pin
1-51	55494	Screw	3-22	65673	Gasket	4-28	50091B	Trigger
1-52	55492	Washer	3-	60253D	Pump Assy	4-29	103740	Screw
1-53	57126A	Cover	3-23	60976	Locknut	4-30	51480	Plate
1-54	100882	Screw	3-24	62890	Screw	4-31	57658A	Clamp
1-55	100004	Washer	3-25	104001	"O" Ring	4-32	48593	Valve
1-56	104435	Screw	3-26	60260A	Piston	4-33	53686A	Deflector
1-57	Fig. reference		3-27	60937	Washer	4-34	63067	Tube
1-58	110127	Screw	3-28	60263	Ring	4-35	53685C	Plate
1-59	101191	Nut	3-29	101758	"O" Ring	4-36	65653	Gasket
1-60	50041	Brace	3-30	60259	Spring	4-37	62834	Insulator
1-61	Fig. reference		3-31	60258A	Sleeve	4-38	50218A	Insert
1-62	Fig. reference		3-32	60254D	Body			
1-63	59445	Decal	3-33	60397A	Screw			
			3-34	60398B	Washer	5-	61853B	Carburetor
2-	60130	Starter	3-35	60396B	Spring	5-1	110054	Screw
2-1	57232	Plate	3-36	102809	Ball			

Continued

