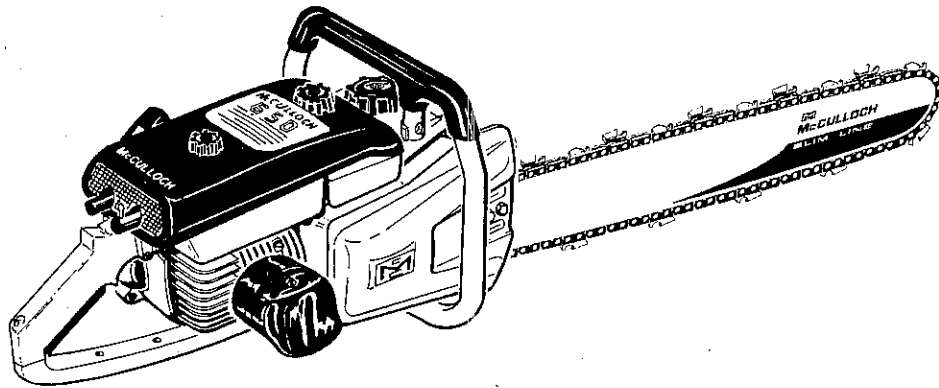


MODEL 650 Chain Saw

ILLUSTRATED PARTS LIST



January 1967

The following pages contain item-numbered illustrations of the service parts for this saw. Facing each illustration are lists which give the description and the quantity of each service part.

Part numbers will be found on the appropriate parts list sheet covering the serial number block of the particular saw. Locate the figure and item in this book, of the part in which you are interested. Then turn to the appropriate parts list sheet and following the figure and item number will be found the correct part number of the service part.

When changes in this parts list occur, either in the illustrations, in part numbers or in quantities used, these differences will be explained or shown on a superseding parts list sheet.

		Page
Figure 1.	Engine Exploded View - General	2
Figure 2.	Starter and Crankcase Cover Assemblies	4
Figure 3.	Oiler Tank and Fuel Tank Assemblies	6
Figure 4.	Cover and Airbox Assemblies	8
Figure 5.	Carburetor Assembly	10
Figure 6.	Powerhead Assembly	12
Figure 7.	Transmission, Clutch Guard, Bar and Chain Assembly	14



McCULLOCH

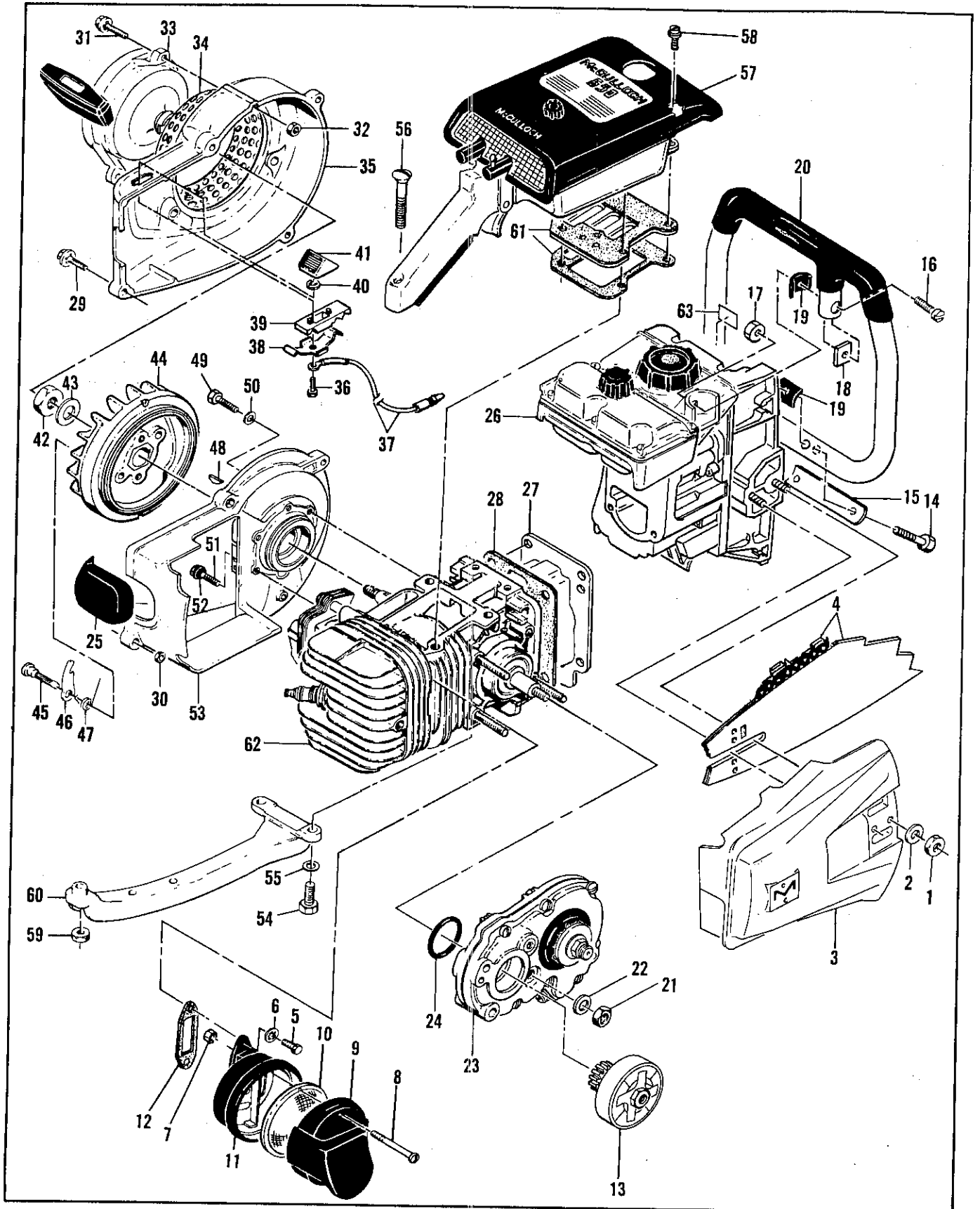


Figure 1. Engine Exploded View - General

FIGURE 1. ENGINE EXPLODED VIEW — GENERAL

Item No.	Description	Units Per Assy
1	Nut - Hex 3/8-24	2
2	Washer - 3/8	2
3	Guard Assy - Clutch (See Figure 7)	1
4	Bar and Chain Assy (See Figure 7)	1
5	Screw - Hex hd 10-24 x 5/8	2
6	Lockwasher - No. 10 internal Spark Arrester Assy	2 1
7	. Nut - Hex 10-24	2
8	. Screw - Fil hd 10-24 x 1-5/8	2
9	. Top Assy - Spark arrester	1
10	. Baffle Assy - Spark arrester	1
11	. Bottom Assy - Spark arrester	1
12	Gasket - Spark arrester	1
13	Clutch, Drum and Gear Assy (See Figure 7)	1
14	Screw - Hex hd 1/4-20 x 1-1/2	2
15	Clamp - Frame	1
16	Screw - Fil hd 1/4-20 x 1	1
17	Nut - Hex 1/4-20	3
18	Saddle - Frame	1
19	Insulator - Frame	3
20	Frame and Grip Assy	1
21	Nut - Lock Hex 1/4	3
22	Washer - 1/4	3
23	Transmission and Sprocket Assy (See Figure 7)	1
24	"O" Ring - Crankcase seal	1
25	Cover Assy - Spark plug	1
26	Oiler Tank and Fuel Tank Assy (See Figure 3)	1
27	Cover - Crankcase bottom	1
28	Gasket - Bottom	1
29	Screw - Hex hd 10-24 x 7/8 (SEMS)	4
30	Nut - Hex 10-24	2

Item No.	Description	Units Per Assy
31	Screw - Hex hd 10-24 x 7/8 (SEMS)	3
32	Nut - Hex 10-24	3
33	Starter Assy (See Figure 2)	1
34	Guard - Sawdust	1
35	Fan Housing Assy	1
36	. Screw - Hex hd 8-32 x 1/2 (SEMS)	1
37	. Wire Assy - Stop switch	1
38	. Contact - Switch	1
39	. Base - Switch	1
40	. Lockwasher - No. 8 internal	1
41	. Button - Switch	1
42	Nut - Hex 7/16	1
43	Washer - Special	1
44	Flywheel and Pawl Assy	1
45	. Pin - Starter pawl	2
46	. Pawl - Starter	2
47	. Spring - Pawl	2
48	Key - Woodruff	1
49	Screw - Hex hd 10-24 x 3/4	4
50	Washer - #10	3
51	Screw Assy	2
52	. Washer - Sealing #10	1
53	Crankcase Cover Assy (See Figure 2)	1
54	Screw - Hex hd 1/4-20 x 3/4	2
55	Washer - 1/4	2
56	Screw - Oval hd 10-24 x 1-3/4	1
57	Cover and Airbox Assy (See Figure 4)	1
58	Screw - Hex hd 10-24 x 7/8 (SEMS)	4
59	Nut - Hex 10-24	1
60	Brace - Handle	1
61	Reed Plate Assy and Insulator (See Figure 4)	1
62	Powerhead Assy (See Figure 6)	1
63	Decal - Oiler housing	1

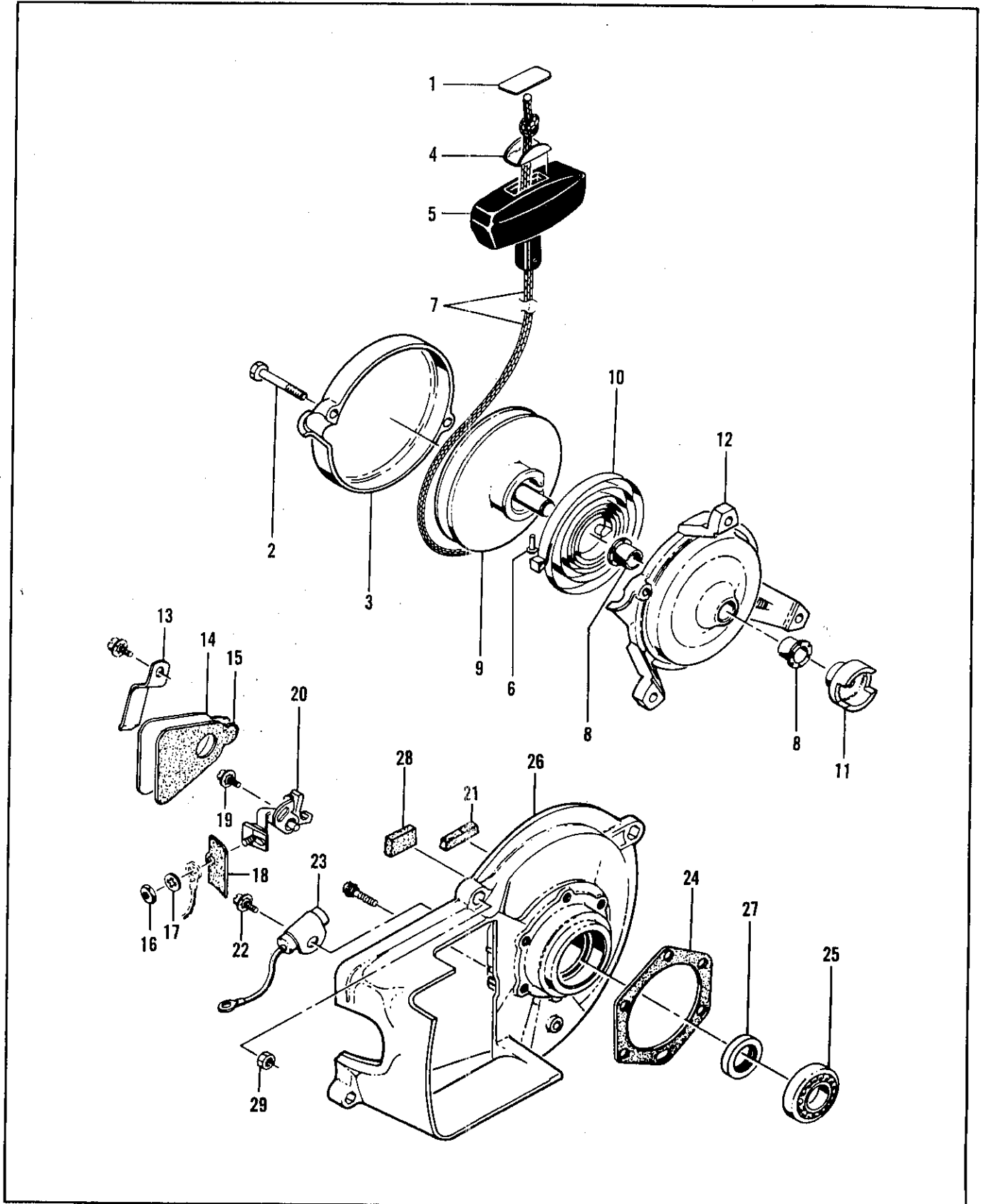


Figure 2. Starter and Crankcase Cover Assemblies

FIGURE 2. STARTER AND CRANKCASE COVER ASSEMBLIES

Item No.	Description	Units Per Assy
	Starter Assy	1
1	. Plate - Starter handle	1
2	. Screw - 10-24 x 3/4	2
3	. Cover - Starter	1
4	. Cup - Starter handle	1
5	. Handle - Starter	1
6	. Rivet	1
7	. Rope - Starter	1
8	. Bushing	2
9	. Drum - Starter	1
10	. Spring - Rewind	1
11	. Ratchet - Starter	1
12	. Base - Starter	1
13	Retainer - Breaker box cover	1
14	Cover - Breaker box	1
15	Gasket - Breaker box	1

Item No.	Description	Units Per Assy
16	Nut - Hex 8-32	1
17	Lockwasher - #8	1
18	Insulator - Breaker terminal	1
19	Screw - Hex hd 8-32 x 1/2 (SEMS)	1
20	Breaker Assy	1
21	Felt - Breaker box	1
22	Screw - Hex hd 8-32 x 1/2 (SEMS)	1
23	Condenser	1
24	Gasket - Crankcase	1
25	Bearing - Ball	1
26	Crankcase Cover Assy	1
27	. Seal - Oil	1
28	. Wiper - Felt	1
29	. Nut - Hex 10-24	2

FIGURE 3. OILER TANK AND FUEL TANK ASSEMBLIES

Item No.	Description	Units Per Assy
1	Screw - Fil hd 10-24 x 2-1/2	1
2	Washer - #10	1
3	Screw - Pan hd 10-24 x 3/4	9
4	Cover Assy - Fuel tank	1
5	. Dowel - 1/4 in. x 1-1/4	1
6	. Dowel - Hollow 1/4 in. x 1-3/8	1
7	. Bolt - Bar mounting	2
8	Gasket - Fuel tank cover	1
9	Filter - Fuel	1
10	Hose - Flex	1
11	Screw - Hex hd 1/4-20 x 1-1/4	3
12	Screw - Hex hd 1/4-20 x 3	1
13	Washer - Sealing 1/4	4
14	Fuel Tank Assy	1
15	. Tube - Fuel hose	1
16	. Ring - Retaining	1
17	. Ball	1
18	. Seat - Ball	2
19	Screw - Hex hd 10-24 x 1-3/4 (SEMS)	1
20	Screw - Hex hd 10-24 x 7/8 (SEMS)	1
21	Screw - Flat hd 10-24 x 3/4	1
22	Gasket - Pulse pump	1
	Pulse Pump Assy	1
23	. Locknut - 10-24	1
24	. Screw - Set 10-24 x 1-1/4	1
25	. "O" Ring	1
26	. Piston Assy	1
27	. Washer	1
28	. Ring - Piston	1
29	. "O" Ring	1

Item No.	Description	Units Per Assy
30	. Spring - Piston	1
31	. Sleeve - Piston	1
32	. Body Assy - Pulse pump	1
33	. . Screw - Fil hd special	1
34	. . Washer	1
35	. . Spring - Ball check	1
36	. . Ball - Steel 0.093 in. dia.	1
37	. . Plug - Expansion 5/8	1
38	Gasket - Fuel tank	1
39	Screw - Pan hd 10-24 x 5/8	6
40	Cover - Oil tank	1
41	Pin - Cotter	1
42	Gasket - Oil tank cover	1
43	Nut - Hex 10-24	3
44	Screw Assy - Sealing	3
45	. Washer - Sealing	3
46	Tank - Oiler	1
47	Screen - Oiler	1
48	Gasket - Oiler tank	1
49	Spring - Oiler piston	1
50	"O" Ring	1
51	Cup - Oiler piston	1
52	Piston - Oiler	1
53	Fuel Cap Assy	1
54	. Filter - Fuel cap	1
55	. Valve - Fuel cap	1
56	"O" Ring	1
57	Cap - Oil filler	1
58	"O" Ring	1

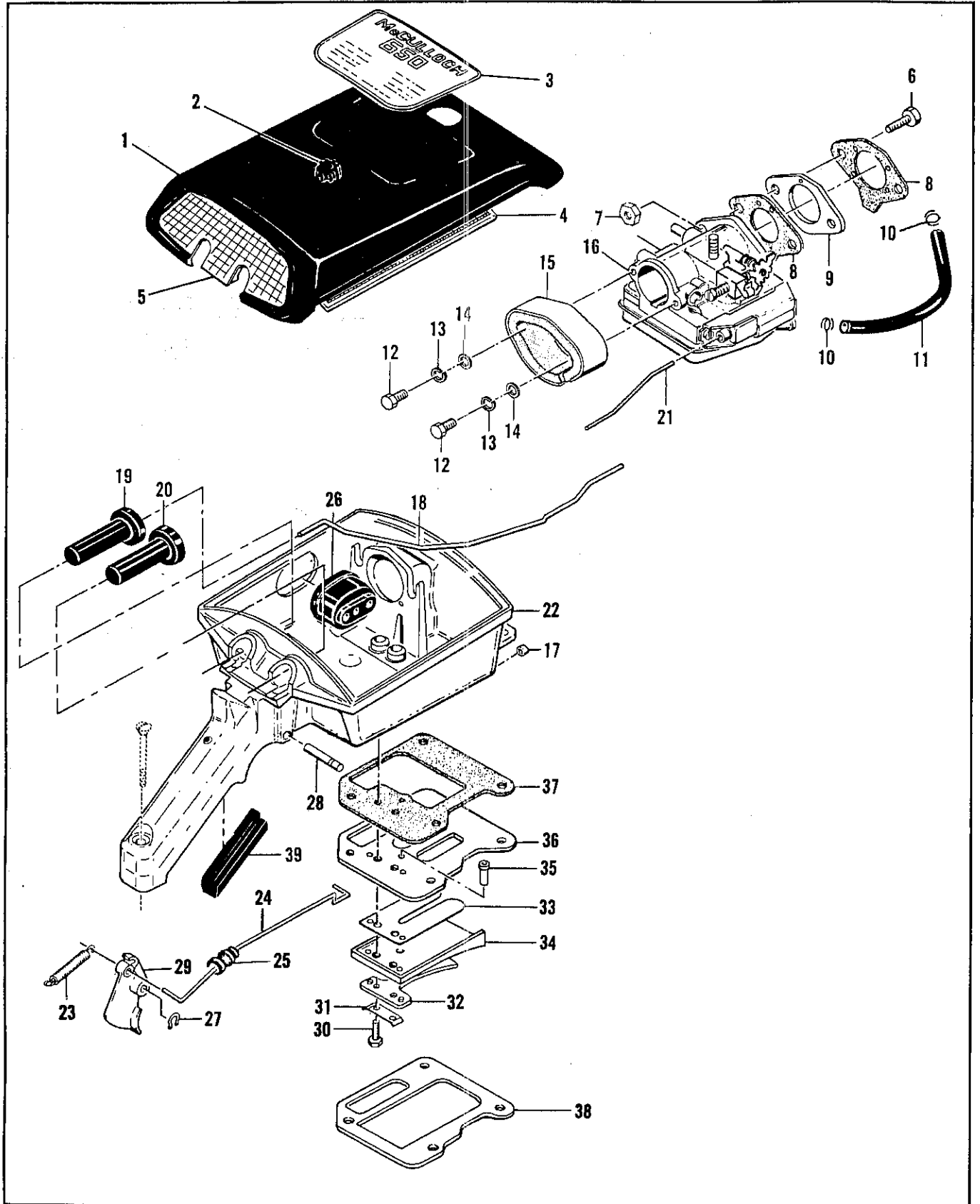


Figure 4. Cover and Airbox Assemblies

FIGURE 4. COVER AND AIRBOX ASSEMBLIES

Item No.	Description	Units Per Assy
1	Cover Assy - Air cleaner	1
2	. Knob - Air cleaner cover	1
3	Plate - Name	1
4	Screen - Air cleaner	1
5	Trim - Air cleaner cover	1
6	Screw - Hex hd 1/4-20 x 7/8	2
7	Nut - Hex 10-24	2
8	Gasket - Carburetor	2
9	Adapter - Carburetor	1
10	Clamp - Fuel hose	2
11	Hose - Fuel	1
12	Screw - Hex hd 10-32 x 9/16	2
13	Lockwasher No. 10	2
14	Washer - #10	2
15	Collector Assy - Fuel	1
16	Carburetor Assy (See Figure 5)	1
17	Seal - Oiler pushrod	1
18	Pushrod - Oiler	1
19	Button - Oiler	1
20	Button - Primer	1

Item No.	Description	Units Per Assy
21	Pushrod - Primer	1
22	Airbox Assy	1
23	. Spring - Throttle	1
24	. Rod - Throttle	1
25	. Grommet - Throttle rod	1
26	. Grommet - Carburetor controls	1
27	. Retainer - Trigger pin	1
28	. Pin	1
29	. Trigger	1
30	. Screw - Hex hd 8-32 x 5/8	2
31	. Plate - Lock	1
32	. Clamp - Reed	1
33	. Valve - Reed	1
34	. Deflector - Fuel	1
35	. Tube - Reed plate	1
36	. Plate - Reed	1
37	. Gasket - Airbox	1
38	. Insulator - Reed plate	1
39	Insert - Handle	1

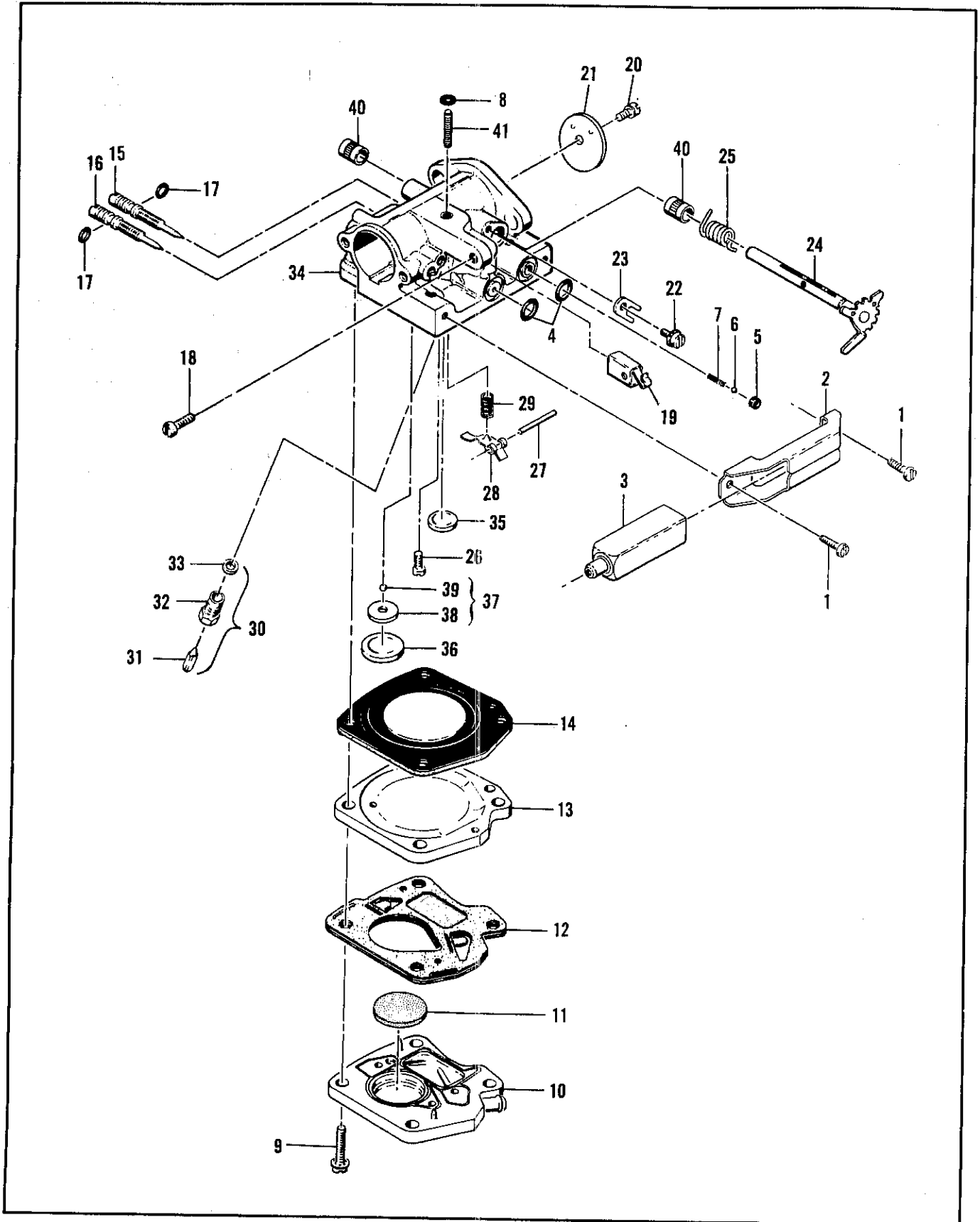


Figure 5. Carburetor Assembly

FIGURE 5. CARBURETOR ASSEMBLY

Item No.	Description	Units Per Assy
	Carburetor Assy	1
1	. Screw - Pan hd 6-32 x 3/8	2
2	. Bracket - Primer mounting	1
3	. Primer Assy	1
4	. "O" Ring	2
5	. Seat - Primer valve	1
6	. Ball - Steel 1/8	1
7	. Spring - Primer	1
8	. Grommet	1
9	. Screw - 10-24 x 7/8 (SEMS)	4
10	. Body Assy - Fuel pump	1
11	. . Filter - Fuel pump	1
12	. Diaphragm Assy - Fuel pump	1
13	. Plate - Carburetor diaphragm	1
14	. Diaphragm - Carburetor	1
15	. Needle - Idle adjustment	1
16	. Needle - Main adjustment	1
17	. "O" Ring	2
18	. Screw - Fil hd long locking	1
19	. Guide - Throttle rod	1
20	. Screw - 4-40 x 1/4 (SEMS)	1

Item No.	Description	Units Per Assy
21	. Plate - Throttle	1
22	. Screw - 8-32 x 3/8 (SEMS)	1
23	. Clip - Shaft	1
24	. Shaft Assy - Throttle	1
25	. Spring - Idle governor	1
26	. Screw - Pan hd 4-40 x 1/4	1
27	. Pin - Lever	1
28	. Lever - Inlet control	1
29	. Spring - Inlet control	1
30	. Valve Set - Needle and body	1
31	. . Needle - Inlet control	1
32	. . Body - Needle valve	1
33	. . Washer - Needle valve	1
34	. Body Assy - Carburetor	1
35	. . Plug - Expansion 1/2 in.	1
36	. . Plug - Expansion 1 in.	1
37	. . Set - Ball and seat	1
38	. . . Seat - Ball	1
39	. . . Ball - Nylon 3/32 in.	1
40	. . Bushing - Body	2
41	. . Stud	1

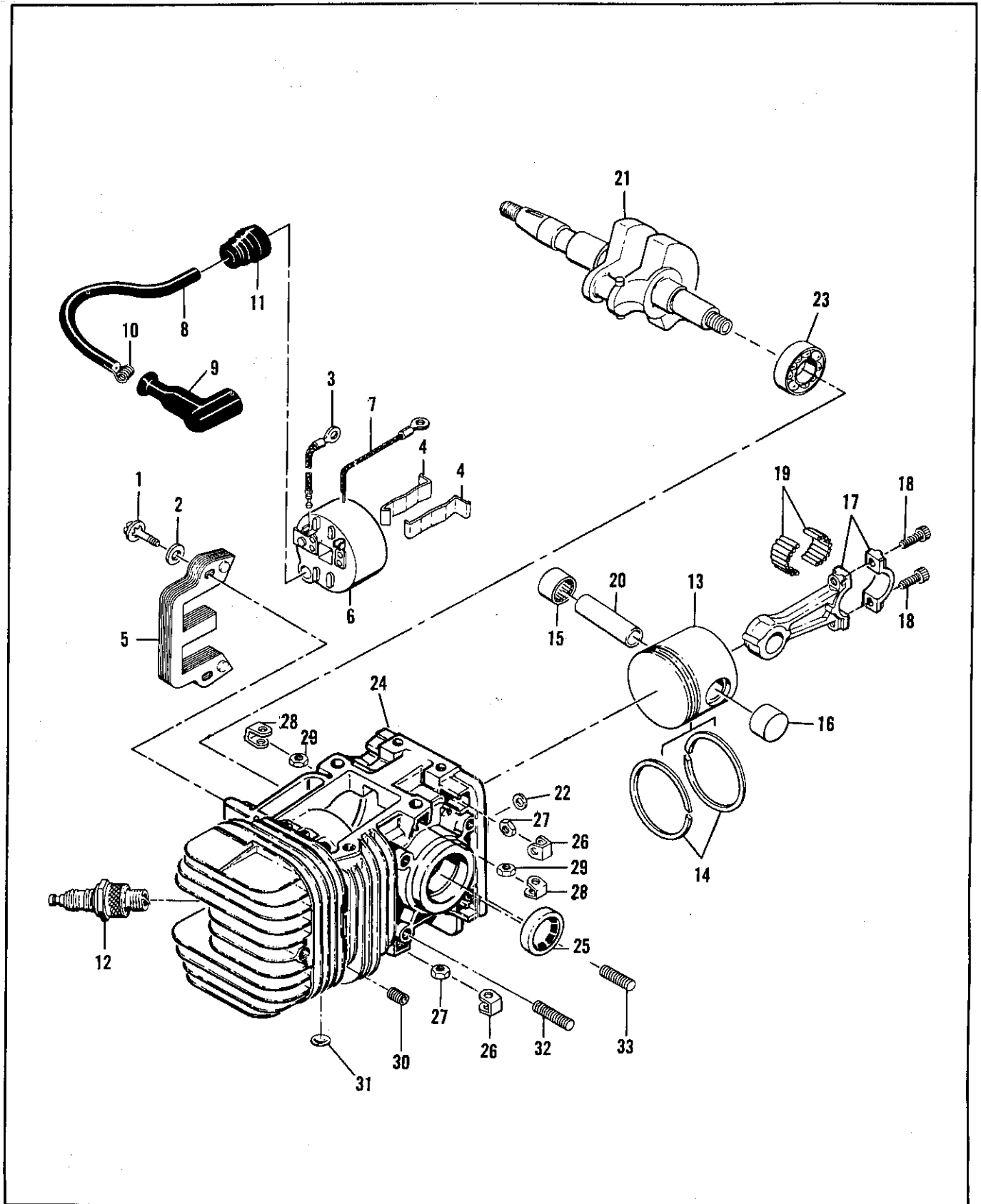


Figure 6. Powerhead Assembly

FIGURE 6. POWERHEAD ASSEMBLY

Item No.	Description	Units Per Assy
1	Screw - Hex hd 10-32 x 7/8	2
2	Washer - #10	2
3	Wire Assy - Primary	1
4	Retainer - Coil	2
5	Lamination Assy	1
6	Coil and Terminal Assy	1
7	. Wire Assy - Ground	1
8	. Wire Assy - Spark plug	1
9	. . Boot - Spark plug	1
10	. . Connector	1
11	. Nipple - Spark plug wire	1
12	Spark Plug 14 MM	1
13	Piston Assy	1
14	. Ring Set - Piston	1
15	. Bearing	1
16	. Bearing (closed end)	1
17	Connecting Rod Assy	1

Item No.	Description	Units Per Assy
18	. Screw - Socket hd 10-32 x 5/8	2
19	. Roller - Needle	24
20	Pin - Piston	1
21	Crankshaft	1
22	Seal - Pushrod	1
23	Bearing - Ball	1
24	Crankcase Assy	1
25	. Seal - Oil	1
26	. Retainer - Nut	6
27	. Nut - Hex 1/4-20	6
28	. Retainer - Nut	2
29	. Nut - Hex 10-24	2
30	. Insert - Taplok	2
31	. Plug - Expansion	3
32	. Stud - 1/4-20 x 1-3/4	2
33	. Stud - 1/4-20 x 1-1/2	1

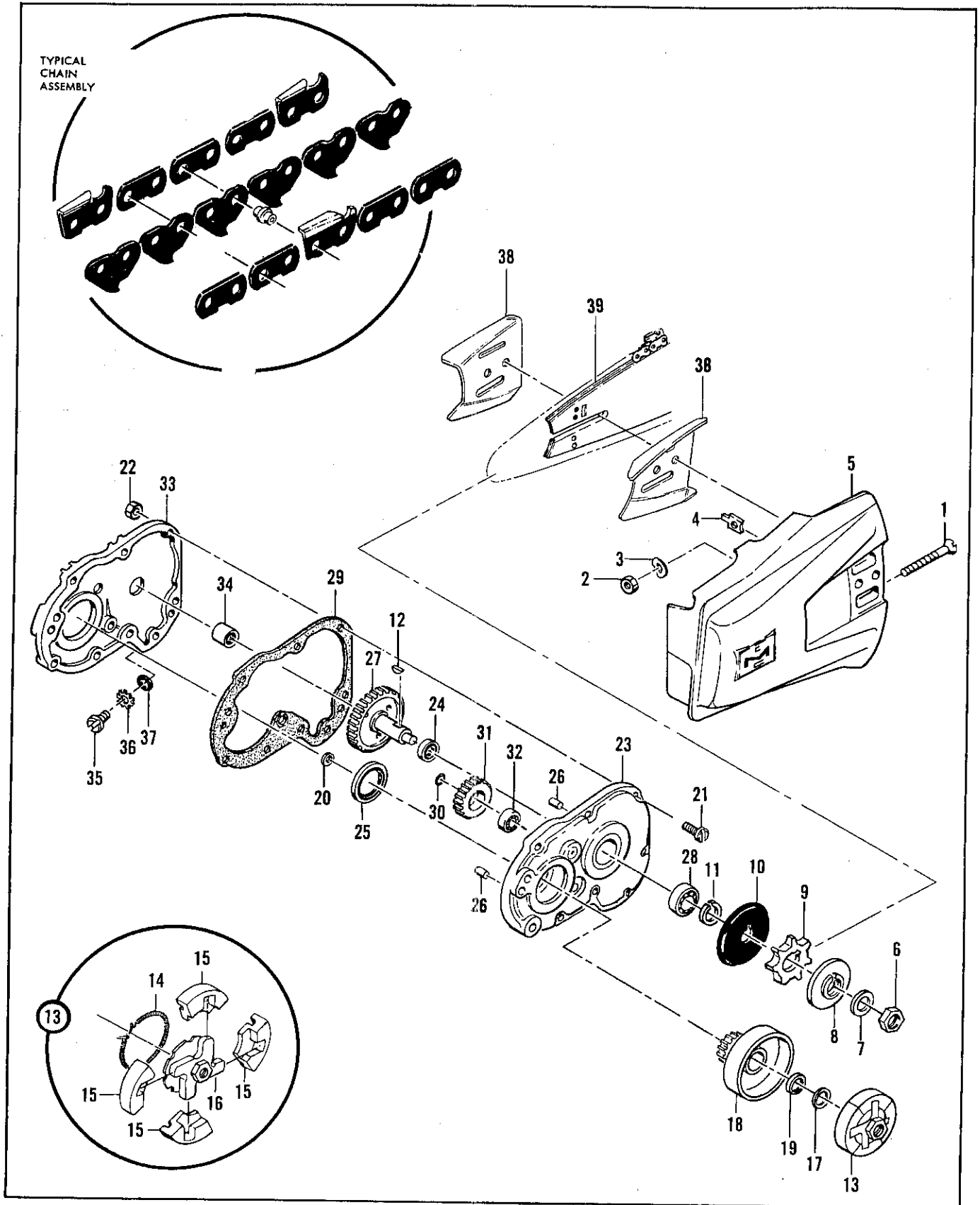


Figure 7. Transmission, Clutch Guard, Bar and Chain Assemblies

FIGURE 7. TRANSMISSION, CLUTCH GUARD, BAR AND CHAIN

Item No.	Description	Units Per Assy
	Guard Assy - Clutch	1
1	. Screw - Flat hd 1/4-28 x 2-1/2	1
2	. Nut - Lock 1/4-28	1
3	. Washer - Wave	1
4	. Nut - Bar adjusting	1
5	. Guard - Clutch	1
6	Nut - Hex jam 7/16 in.	1
7	Washer - Plain 7/16 in.	1
8	Shroud - Sprocket	1
9	Sprocket - 7 tooth, 1/2 in. pitch	1
10	Washer - Sprocket	1
11	Spacer - Sprocket	1
12	Key - Woodruff #6	1
13	Clutch Assy	1
14	. Spring - Clutch	1
15	. Shoe - Clutch	4
16	. Rotor Assy - Clutch	1
17	Washer - Special	1
18	Drum and Gear Assy	1
19	. Seal - Oil	1
20	Washer - Thrust	1

Item No.	Description	Units Per Assy
	Transmission Assy	1
21	. Screw - Pan hd 10-24 x 1/2	7
22	. Nut - Hex 10-24	7
23	. Cover Assy - Transmission	1
24	. . Seal - Oil	1
25	. . Seal - Oil	1
26	. . Pin - Dowel	2
27	. Gear - Sprocket	1
28	. Bearing - Ball	1
29	. Gasket - Gearcase cover	1
30	. "O" Ring	1
31	. Gear Assy - Idler	1
32	. . Bearing - Idler gear	1
33	. Gearcase Assy - Transmission	1
34	. . Bearing - Needle	1
35	. . Plug	1
36	. . Lockwasher	1
37	. . "O" Ring	1
38	. Plate - Bar protector	2
39	Bar and Chain	

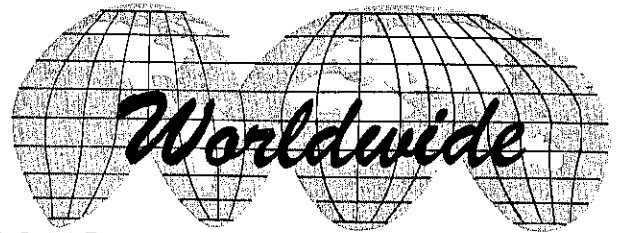
ACCESSORIES

Item No.	Description
1	Piston Assy 0.010 in. oversize
2	. Ring Set 0.010 in. oversize
3	. Bearing
4	. Bearing (closed end)
5	Piston Assy 0.020 in. oversize
6	. Ring Set 0.020 in. oversize
7	. Bearing
8	. Bearing (closed end)
9	Piston Assy 0.030 in. oversize
10	. Ring Set 0.030 in. oversize
11	. Bearing

Item No.	Description
12	. Bearing (closed end)
13	Kit - Spike
14	. Screw - Hex hd 1/4-20 x 3/4
15	. Nut - Hex 1/4-20
16	Shim - Sprocket (0.030 in.)
17	Shim - Sprocket (0.010 in.)
18	Wrench and Screwdriver Combination
19	Owner's Manual
20	Wrench - Spark plug
21	Timing Guide
22	Baffle - Spark arrester (alternate)



McCULLOCH



● MANUFACTURING ● SALES ● SERVICE ●

McCULLOCH CORPORATION

6101 WEST CENTURY BLVD., LOS ANGELES, CALIFORNIA 90045

McCULLOCH OF CANADA, LTD.

77 BELFIELD ROAD, REXDALE, ONTARIO, CANADA

McCULLOCH INTERNATIONAL, INC.

POSTBUS 10, MALINES, BELGIUM
G.P.O. BOX 879, HONG KONG, B.C.C.

McCULLOCH OF AUSTRALIA PTY., LTD.

P.O. BOX 165, SOUTH GRANVILLE, N.S.W., AUSTRALIA

McCULLOCH INTERNATIONAL (U.S.), INC.

P.O. BOX 45466 LOS ANGELES, CALIFORNIA, U.S.A.

Figure and Item numbers are referenced to the Illustrated Parts List, P/N 66356 unless otherwise indicated on this parts list sheet. Numbers in black circles refer to notes at the bottom of the page. Numbers in parenthesis following the part number indicate a quantity change from the illustrated parts list.

MODEL 650
Trans. Ratio = 2 to 1
Serial Numbers Prefixed 1-

FIG. & ITEM	PART NUMBER	NOMENCLATURE	FIG. & ITEM	PART NUMBER	NOMENCLATURE	FIG. & ITEM	PART NUMBER	NOMENCLATURE
1-1	103729	Nut	1-59	101191	Nut	3-21	110245	Screw
1-2	100006	Washer	1-60	50041	Brace	3-22	65673	Gasket
1-3	Fig. reference		1-61	Fig. reference		3-	60253D	Pump Assy
1-4	Fig. reference		1-62	Fig. reference		3-23	60976	Locknut
1-5	102388	Screw	1-63	59445	Decal	3-24	62890	Screw
1-6	103100	Lockwasher				3-25	104001	"O" Ring
1-	63910	Spark Arr	2-	60130	Starter	3-26	60260A	Piston
1-7	101191	Nut	2-1	57232	Plate	3-27	60937	Washer
1-8	110371	Screw	2-2	104396	Screw	3-28	60263	Ring
1-9	53205B	Top Assy	2-3	60647	Cover	3-29	101758	"O" Ring
1-10	51968	Baffle	2-4	57231	Cup	3-30	60259	Spring
1-11	52424B	Bottom Assy	2-5	57230	Handle	3-31	60258A	Sleeve
1-12	53652	Gasket	2-6	101136	Rivet	3-32	60254D	Body
1-13	Fig. reference		2-7	28716	Rope	3-33	60397A	Screw
1-14	102130	Screw	2-8	57535	Bushing	3-34	60398B	Washer
1-15	50215	Clamp	2-9	57792	Drum	3-35	60396B	Spring
1-16	103267	Screw	2-10	51665	Spring	3-36	102809	Ball
1-17	101143	Nut	2-11	57790	Ratchet	3-37	110157	Plug
1-18	57133	Saddle	2-12	60646	Base	3-38	65669	Gasket
1-19	62244	Insulator	2-13	50671	Retainer	3-39	104395	Screw
1-20	61446A	Frame	2-14	50588A	Cover	3-40	57114A	Cover
1-21	101143	Nut	2-15	65584	Gasket	3-41	100010	Pin
1-22	100004	Washer	2-16	100251	Nut	3-42	57152	Gasket
1-23	Fig. reference		2-17	100057	Lockwasher	3-43	101326	Nut
1-24	104535	"O" Ring	2-18	50381A	Insulator	3-44	55494	Screw
1-25	57565	Cover	2-19	103672	Screw	3-45	55492	Washer
1-26	Fig. reference		2-20	50076A	Breaker	3-46	57112A	Tank
1-27	60251A	Cover	2-21	50664	Felt	3-47	57279	Screen
1-28	65654	Gasket	2-22	103672	Screw	3-48	57147	Gasket
1-29	104815	Screw	2-23	50074	Condenser	3-49	63943	Spring
1-30	101326	Nut	2-24	51240	Gasket	3-50	101056	"O" Ring
1-31	104815	Screw	2-25	100824	Bearing	3-51	24104A	Cup
1-32	101191	Nut	2-26	57126A	Cover	3-52	63122	Piston
1-33	60130	Starter	2-27	50663	Seal	3-53	55934B	Cap
1-34	50581A	Guard	2-28	54184	Wiper	3-54	55063	Filter
1-35	53488	Fan Housing	2-29	101326	Nut	3-55	53766A	Valve
1-36	103672	Screw				3-56	101348	"O" Ring
1-37	53490	Wire				3-57	57129A	Cap
1-38	59592	Contact				3-58	101148	"O" Ring
1-39	59591	Base	3-1	101975	Screw			
1-40	100057	Lockwasher	3-2	100003	Washer	4-1	60342	Cover
1-41	57718	Button	3-3	102763	Screw	4-2	60242	Knob
1-42	101179	Nut	3-4	61583	Cover	4-3	62782	Plate
1-43	101270	Washer	3-5	101209	Dowel	4-4	63453	Screen
1-44	65768	Flywheel	3-6	61871	Dowel	4-5	57218	Trim
1-45	36144B	Pin	3-7	61437	Bolt	4-6	60208	Screw
1-46	24093	Pawl	3-8	61586	Gasket	4-7	103242	Nut
1-47	50582	Spring	3-9	50124A	Filter	4-8	65583	Gasket
1-48	103879	Key	3-10	50082	Hose	4-9	53189	Adapter
1-49	102289	Screw	3-11	102128	Screw	4-10	50742	Clamp
1-50	102189	Washer	3-12	102150	Screw	4-11	50097	Hose
1-51	55494	Screw	3-13	110300	Washer	4-12	103705	Screw
1-52	55492	Washer	3-14	62443A	Tank Assy	4-13	103174	Lockwasher
1-53	57126A	Cover	3-15	28042	Tube	4-14	102189	Washer
1-54	100882	Screw	3-16	110327	Ring	4-15	58922A	Collector
1-55	100004	Washer	3-17	100071	Ball	4-16	61853B	Carburetor
1-56	104435	Screw	3-18	62216	Seat	4-17	57736	Seal
1-57	Fig. reference		3-19	110257	Screw	4-18	62226	Pushrod
1-58	110127	Screw	3-20	104138	Screw			

Continued

FIG. & ITEM	PART NUMBER	NOMENCLATURE	FIG. & ITEM	PART NUMBER	NOMENCLATURE	FIG. & ITEM	PART NUMBER	NOMENCLATURE
4-19	50591B	Button	5-33	55689	Washer	7-10	62059	Washer
4-20	50591B	Button	5-34	61364A	Body	7-11	61354	Spacer
4-21	53589A	Pushrod	5-35	110179	Plug	7-12	100256	Key
4-22	62488	Airbox	5-36	104407	Plug	7-13	50060B	Clutch
4-23	36499	Spring	5-37	61155	Ball & Seat	7-14	51468A	Spring
4-24	61106	Rod	5-38	61152	Seat	7-15	51464A	Shoe
4-25	60237	Grommet	5-39	61151	Ball	7-16	50144B	Rotor
4-26	53277	Grommet	5-40	55062A	Bushing	7-17	63834	Washer
4-27	104501	Retainer	5-41	48611	Stud	7-18	61497	Drum
4-28	50507	Pin				7-19	62061	Seal
4-29	50091B	Trigger				7-20	61498	Washer
4-30	103740	Screw	6-1	104815	Screw	7-	66320	Transmission
4-31	51480	Plate	6-2	100352	Washer	7-21	102500	Screw
4-32	57658A	Clamp	6-3	57225	Wire	7-22	101191	Nut
4-33	48593	Valve	6-4	51253	Retainer	7-23	66324	Cover
4-34	53686A	Deflector	6-5	51251	Lamination	7-24	62060	Seal
4-35	63067	Tube	6-6	55949A	Coil	7-25	62062	Seal
4-36	53685C	Plate	6-7	101883	Wire	7-26	101770	Pin
4-37	65653	Gasket	6-8	52547	Wire	7-27	61451A	Gear
4-38	62834	Insulator	6-9	55060	Boot	7-28	110302	Bearing
4-39	50218A	Insert	6-10	55061	Connector	7-29	63186	Gasket
			6-11	55617	Nipple	7-30	105614	"O" Ring
			6-12		Plug	7-31	66327	Gear
5-	61853B	Carburetor	6-13	53941A	Piston	7-32	102339	Bearing
5-1	110054	Screw	6-14	55123	Ring Set	7-33	66321	Gearcase
5-2	53440	Bracket	6-15	101206	Bearing	7-34	104378	Bearing
5-3	53449	Primer	6-16	104378	Bearing	7-35	4623111	Plug
5-4	101056	"O" Ring	6-17	47903	Connect. Rod	7-36	110409	Lockwasher
5-5	59480	Seat	6-18	60210A	Screw	7-37	105617	"O" Ring
5-6	100302	Ball	6-19	102742	Roller	7-38	64935	Plate
5-7	28754	Spring	6-20	62831	Pin	7-39		Bar and Chain
5-8	100283	Grommet	6-21	61860	Crankshaft			
5-9	104520	Screw	6-22	57736	Seal			
5-10	48898	Body	6-23	100824	Bearing			
5-11	57277A	Filter	6-24	62731	Crankcase			
5-12	57274B	Diaphragm	6-25	104432	Seal	1	53942A	Piston Assy
5-13	48901	Plate	6-26	18556A	Retainer	2	55124	Ring Set
5-14	55067C	Diaphragm	6-27	105394	Nut	3	101206	Bearing
5-15	53948	Needle	6-28	28053	Retainer	4	104378	Bearing
5-16	53311	Needle	6-29	101326	Nut	5	53943A	Piston Assy
5-17	104001	"O" Ring	6-30	110034	Insert	6	55125	Ring Set
5-18	62910	Screw	6-31	110179	Plug	7	101206	Bearing
5-19	61108	Guide	6-32	65421	Stud	8	104378	Bearing
5-20	104814	Screw	6-33	65422	Stud	9	53944A	Piston Assy
5-21	61360	Plate				10	55126	Ring Set
5-22	110055	Screw				11	101206	Bearing
5-23	55082	Clip	7-	61587	Guard Assy	12	104378	Bearing
5-24	61854A	Shaft	7-1	61908A	Screw	13	61783	Spike
5-25	61858	Spring	7-2	100640	Nut	14	100882	Screw
5-26	104164	Screw	7-3	102813	Washer	15	101143	Nut
5-27	104305	Pin	7-4	61905	Nut	16	61353	Shim
5-28	55688	Lever	7-5	61588	Guard	17	61352	Shim
5-29	57172	Spring	7-6	101179	Nut	18	51445A	Wrench
5-30	60163A	Valve	7-7	100593	Washer	19	61551	Manual
5-31	63038	Needle	7-8	36862	Shroud	20	36248	Wrench
5-32	58969	Body	7-9	36644A	Sprocket	21	65712	Guide
						22	61545A	Baffle

ACCESSORY ITEMS

1	53942A	Piston Assy
2	55124	Ring Set
3	101206	Bearing
4	104378	Bearing
5	53943A	Piston Assy
6	55125	Ring Set
7	101206	Bearing
8	104378	Bearing
9	53944A	Piston Assy
10	55126	Ring Set
11	101206	Bearing
12	104378	Bearing
13	61783	Spike
14	100882	Screw
15	101143	Nut
16	61353	Shim
17	61352	Shim
18	51445A	Wrench
19	61551	Manual
20	36248	Wrench
21	65712	Guide
22	61545A	Baffle



McCULLOCH CORPORATION
6101 WEST CENTURY BLVD., LOS ANGELES, CALIFORNIA 90045

McCULLOCH OF CANADA, LTD.
77 BELFIELD ROAD, REXDALE, ONTARIO, CANADA

McCULLOCH INTERNATIONAL, INC.
POSTBUS 10, MALINES, BELGIUM
G.P.O. BOX 879, HONG KONG, B. C. C.

McCULLOCH OF AUSTRALIA PTY., LTD.
P.O. BOX 165, SOUTH GRANVILLE, N.S.W., AUSTRALIA

McCULLOCH INTERNATIONAL (U.S.), INC.
P.O. BOX 45466 LOS ANGELES, CALIFORNIA, U.S.A.

66355

Figure and Item numbers are referenced to the Illustrated Parts List, P/N 66356 unless otherwise indicated on this parts list sheet. Numbers in black circles refer to notes at the bottom of the page. Numbers in parenthesis following the part number indicate a quantity change from the illustrated parts list.

MODEL 650
Trans. Ratio = 3 to 1
Serial Numbers Prefixed 1-

FIG. & ITEM	PART NUMBER	NOMENCLATURE	FIG. & ITEM	PART NUMBER	NOMENCLATURE	FIG. & ITEM	PART NUMBER	NOMENCLATURE
1-1	103729	Nut	1-59	101191	Nut	3-21	110245	Screw
1-2	100006	Washer	1-60	50041	Brace	3-22	65673	Gasket
1-3	Fig. reference		1-61	Fig. reference		3-	60253D	Pump Assy
1-4	Fig. reference		1-62	Fig. reference		3-23	60976	Locknut
1-5	102388	Screw	1-63	59445	Decal	3-24	62890	Screw
1-6	103100	Lockwasher				3-25	104001	"O" Ring
1-	63910	Spark Arr				3-26	60260A	Piston
1-7	101191	Nut	2-	60130	Starter	3-27	60937	Washer
1-8	110371	Screw	2-1	57232	Plate	3-28	60263	Ring
1-9	53205B	Top Assy	2-2	104396	Screw	3-29	101758	"O" Ring
1-10	51968	Baffle	2-3	60647	Cover	3-30	60259	Spring
1-11	52424B	Bottom Assy	2-4	57231	Cup	3-31	60258A	Sleeve
1-12	53652	Gasket	2-5	57230	Handle	3-32	60254D	Body
1-13	Fig. reference		2-6	101136	Rivet	3-33	60397A	Screw
1-14	102130	Screw	2-7	28716	Rope	3-34	60398B	Washer
1-15	50215	Clamp	2-8	57535	Bushing	3-35	60396B	Spring
1-16	103267	Screw	2-9	57792	Drum	3-36	102809	Ball
1-17	101143	Nut	2-10	51665	Spring	3-37	110157	Plug
1-18	57133	Saddle	2-11	57790	Ratchet	3-38	65669	Gasket
1-19	62244	Insulator	2-12	60646	Base	3-39	104395	Screw
1-20	61446A	Frame	2-13	50671	Retainer	3-40	57114A	Cover
1-21	101143	Nut	2-14	50588A	Cover	3-41	100010	Pin
1-22	100004	Washer	2-15	65584	Gasket	3-42	57152	Gasket
1-23	Fig. reference		2-16	100251	Nut	3-43	101326	Nut
1-24	104535	"O" Ring	2-17	100057	Lockwasher	3-44	55494	Screw
1-25	57565	Cover	2-18	50381A	Insulator	3-45	55492	Washer
1-26	Fig. reference		2-19	103672	Screw	3-46	57112A	Tank
1-27	60251A	Cover	2-20	50076A	Breaker	3-47	57279	Screen
1-28	65654	Gasket	2-21	50664	Felt	3-48	57147	Gasket
1-29	104815	Screw	2-22	103672	Screw	3-49	63943	Spring
1-30	101326	Nut	2-23	50074	Condenser	3-50	101056	"O" Ring
1-31	104815	Screw	2-24	51240	Gasket	3-51	24104A	Cup
1-32	101191	Nut	2-25	100824	Bearing	3-52	63122	Piston
1-33	60130	Starter	2-26	57126A	Cover	3-53	55934B	Cap
1-34	50581A	Guard	2-27	50663	Seal	3-54	55063	Filter
1-35	53488	Fan Housing	2-28	54184	Wiper	3-55	53766A	Valve
1-36	103672	Screw	2-29	101326	Nut	3-56	101348	"O" Ring
1-37	53490	Wire				3-57	57129A	Cap
1-38	59592	Contact				3-58	101148	"O" Ring
1-39	59591	Base	3-1	101975	Screw			
1-40	100057	Lockwasher	3-2	100003	Washer	4-1	60342	Cover
1-41	57718	Button	3-3	102763	Screw	4-2	60242	Knob
1-42	101179	Nut	3-4	61583	Cover	4-3	62782	Plate
1-43	101270	Washer	3-5	101209	Dowel	4-4	63453	Screen
1-44	65768	Flywheel	3-6	61871	Dowel	4-5	57218	Trim
1-45	36144B	Pin	3-7	61437	Bolt	4-6	60208	Screw
1-46	24093	Pawl	3-8	61586	Gasket	4-7	103242	Nut
1-47	50582	Spring	3-9	50124A	Filter	4-8	65583	Gasket
1-48	103879	Key	3-10	50082	Hose	4-9	53189	Adapter
1-49	102289	Screw	3-11	102128	Screw	4-10	50742	Clamp
1-50	102189	Washer	3-12	102150	Screw	4-11	50097	Hose
1-51	55494	Screw	3-13	110300	Washer	4-12	103705	Screw
1-52	55492	Washer	3-14	62443A	Tank Assy	4-13	103174	Lockwasher
1-53	57126A	Cover	3-15	28042	Tube	4-14	102189	Washer
1-54	100882	Screw	3-16	110327	Ring	4-15	58922A	Collector
1-55	100004	Washer	3-17	100071	Ball	4-16	61853B	Carburetor
1-56	104435	Screw	3-18	62216	Seat	4-17	57736	Seal
1-57	Fig. reference		3-19	110257	Screw	4-18	62226	Pushrod
1-58	110127	Screw	3-20	104138	Screw			

Continued

FIG. & ITEM	PART NUMBER	NOMENCLATURE	FIG. & ITEM	PART NUMBER	NOMENCLATURE	FIG. & ITEM	PART NUMBER	NOMENCLATURE
4-19	50591B	Button	5-33	55689	Washer	7-10	62059	Washer
4-20	50591B	Button	5-34	61364A	Body	7-11	61354	Spacer
4-21	53589A	Pushrod	5-35	110179	Plug	7-12	100256	Key
4-22	62488	Airbox	5-36	104407	Plug	7-13	50060B	Clutch
4-23	36499	Spring	5-37	61155	Ball & Seat	7-14	51468A	Spring
4-24	61106	Rod	5-38	61152	Seat	7-15	51464A	Shoe
4-25	60237	Grommet	5-39	61151	Seat	7-16	50144B	Rotor
4-26	53277	Grommet	5-40	55062A	Bushing	7-17	63834	Washer
4-27	104501	Retainer	5-41	48611	Stud	7-18	63187	Drum
4-28	50507	Pin				7-19	62061	Seal
4-29	50091B	Trigger				7-20	63189	Washer
4-30	103740	Screw	6-1	104815	Screw	7-	66330	Transmission
4-31	51480	Plate	6-2	100352	Washer	7-21	102500	Screw
4-32	57658A	Clamp	6-3	57225	Wire	7-22	101191	Nut
4-33	48593	Valve	6-4	51253	Retainer	7-23	66334	Cover
4-34	53686A	Deflector	6-5	51251	Lamination	7-24	62060	Seal
4-35	63067	Tube	6-6	55949A	Coil	7-25	62062	Seal
4-36	53685C	Plate	6-7	101883	Wire	7-26	101770	Pin
4-37	65653	Gasket	6-8	52547	Wire	7-27	63182	Gear
4-38	62834	Insulator	6-9	55060	Boot	7-28	110302	Bearing
4-39	50218A	Insert	6-10	55061	Connector	7-29	63186	Gasket
			6-11	55617	Nipple	7-30	105614	"O" Ring
			6-12		Plug	7-31	66337	Gear
5-	61853B	Carburetor	6-13	53941A	Piston	7-32	102339	Bearing
5-1	110054	Screw	6-14	55123	Ring Set	7-33	66331	Gearcase
5-2	53440	Bracket	6-15	101206	Bearing	7-34	104378	Bearing
5-3	53449	Primer	6-16	104378	Bearing	7-35	4623111	Plug
5-4	101056	"O" Ring	6-17	47903	Connect. Rod	7-36	110409	Lockwasher
5-5	59480	Seat	6-18	60210A	Screw	7-37	105617	"O" Ring
5-6	100302	Ball	6-19	102742	Roller	7-38	64935	Plate
5-7	28754	Spring	6-20	62831	Pin	7-39		Bar and Chain
5-8	100283	Grommet	6-21	61860	Crankshaft			
5-9	104520	Screw	6-22	57736	Seal			
5-10	48898	Body	6-23	100824	Bearing			
5-11	57277A	Filter	6-24	62731	Crankcase			
5-12	57274B	Diaphragm	6-25	104432	Seal			
5-13	48901	Plate	6-26	18556A	Retainer			
5-14	55067C	Diaphragm	6-27	105394	Nut			
5-15	53948	Needle	6-28	28053	Retainer			
5-16	53311	Needle	6-29	101326	Nut			
5-17	104001	"O" Ring	6-30	110034	Insert			
5-18	62910	Screw	6-31	110179	Plug			
5-19	61108	Guide	6-32	65421	Stud			
5-20	104814	Screw	6-33	65422	Stud			
5-21	61360	Plate						
5-22	110055	Screw						
5-23	55082	Clip	7-	61587	Guard Assy			
5-24	61854A	Shaft	7-1	61908A	Screw			
5-25	61858	Spring	7-2	100640	Nut			
5-26	104164	Screw	7-3	102813	Washer			
5-27	104305	Pin	7-4	61905	Nut			
5-28	55688	Lever	7-5	61588	Guard			
5-29	57172	Spring	7-6	101179	Nut			
5-30	60163A	Valve	7-7	100593	Washer			
5-31	63038	Needle	7-8	36862	Shroud			
5-32	58969	Body	7-9	36644A	Sprocket			

ACCESSORY ITEMS

1	53942A	Piston Assy
2	55124	Ring Set
3	101206	Bearing
4	104378	Bearing
5	53943A	Piston Assy
6	55125	Ring Set
7	101206	Bearing
8	104378	Bearing
9	53944A	Piston Assy
10	55126	Ring Set
11	101206	Bearing
12	104378	Bearing
13	61783	Spike
14	100882	Screw
15	101143	Nut
16	61353	Shim
17	61352	Shim
18	51445A	Wrench
19	61551	Manual
20	36248	Wrench
21	65712	Guide
22	61545A	Baffle

McCULLOCH



• MANUFACTURING • SALES • SERVICE •

McCULLOCH CORPORATION
8101 WEST CENTURY BLVD., LOS ANGELES, CALIFORNIA 90045

McCULLOCH OF CANADA, LTD.
77 BELFIELD ROAD, REXDALE, ONTARIO, CANADA

McCULLOCH INTERNATIONAL, INC.
POSTBUS 10, MALINES, BELGIUM
G. P. O. BOX 879, HONG KONG, B. C. C.

McCULLOCH OF AUSTRALIA PTY., LTD.
P. O. BOX 165, SOUTH GRANVILLE, N. S. W., AUSTRALIA

McCULLOCH INTERNATIONAL (U.S.), INC.
P. O. BOX 45466 LOS ANGELES, CALIFORNIA, U.S.A.

66370