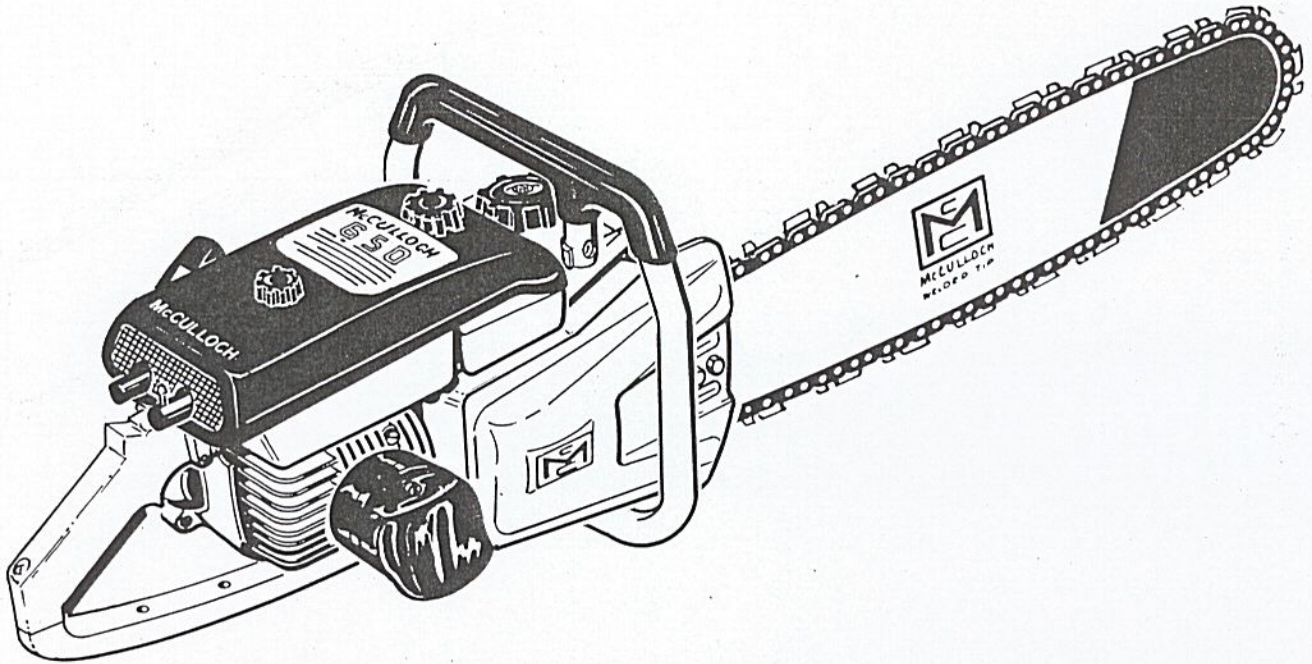


ILLUSTRATED PARTS LIST

SEPTEMBER 1965



The following pages contain an illustrated parts list for the Model 650 Chain Saw. Due to small differences between saws, it is important that the Serial Number of your saw be included whenever spare parts are ordered.

	Page
Figure 1. Engine Exploded View - General	2
Figure 2. Starter and Crankcase Cover Assemblies	4
Figure 3. Oiler Tank and Fuel Tank Assemblies	6
Figure 4. Cover and Airbox Assemblies	8
Figure 5. Carburetor Assembly	10
Figure 6. Powerhead Assembly	12
Figure 7. Transmission, Clutch Guard, Bar and Chain	14

McCULLOCH CORPORATION

6101 WEST CENTURY BOULEVARD
LOS ANGELES, CALIFORNIA 90045

MODEL 650

(P/N 63200)

SERIAL NO. 10051 & UP

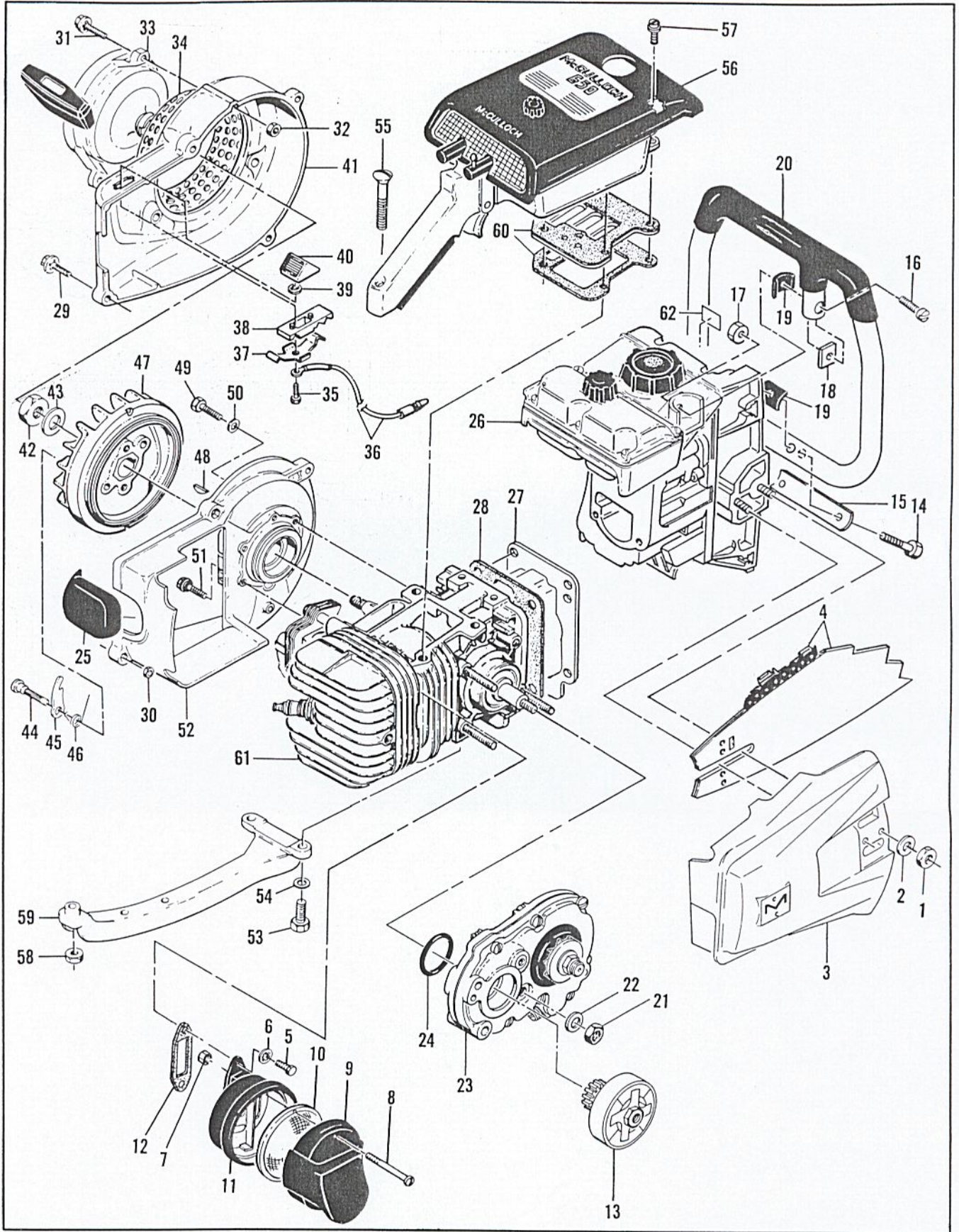


Figure 1. Engine Exploded View - General

FIGURE 1. ENGINE EXPLODED VIEW - GENERAL

SERIAL NO. 10051 & UP

Index No.	Part Number	Nomenclature	Units Per Assy
1	103729	Nut - Hex 3/8-24	2
2	100006	Washer - Plain 3/8 in.	2
3		Guard Assy - Clutch (See Figure 7)	1
4		Bar and Chain Assy (See Figure 7)	1
5	102388	Screw - Hex hd 10-24 x 5/8 in. lg.	2
6	103100	Lockwasher - No. 10 internal	2
	53204C	Spark Arrester Assy	1
7	101191	. Nut - Hex 10-24	2
8	110371	. Screw - Fil hd 10-24 x 1-5/8 in. lg.	2
9	53205B	. Top Assy - Spark arrester	1
10	*51968	. Baffle Assy - Spark arrester	1
11	52424A	. Bottom Assy - Spark arrester	1
12	53652	Gasket - Spark arrester	1
13		Clutch, Drum and Gear Assy (See Figure 7)	1
14	102130	Screw - Hex hd 1/4-20 x 1-1/2 in. lg.	2
15	50215	Clamp - Frame	1
16	103267	Screw - Fil hd 1/4-20 x 1 in. lg.	1
17	101143	Nut - Hex 1/4-20	3
18	57133	Saddle - Frame	1
19	62244	Insulator - Frame	3
20	61446	Frame and Grip Assy	1
21	101143	Nut - Lock Hex 1/4 in.	3
22	100004	Washer - Plain 1/4 in.	3
23		Transmission and Sprocket Assy (See Figure 7)	1
24	104535	"O" Ring - Crankcase seal	1
25	57565	Cover Assy - Spark plug	1
26		Oiler Tank and Fuel Tank Assy (See Figure 3)	1
27	60251A	Cover - Crankcase bottom	1
28	58166A	Gasket - Bottom	1
29	104815	Screw - Hex hd 10-24 x 7/8 in. lg. (SEMS)	4
30	101326	Nut - Hex 10-24	2
31	104815	Screw - Hex hd 10-24 x 7/8 in. lg. (SEMS)	3
32	101191	Nut - Hex 10-24	3
33	60130	Starter Assy (See Figure 2)	1
34	50581A	Guard - Sawdust	1
	53488	Fan Housing Assy	1
35	103672	. Screw - Hex hd 8-32 x 1/2 in. lg. (SEMS)	1
36	53490	. Wire Assy - Stop switch	1
37	59592	. Contact - Switch	1
38	59591	. Base - Switch	1
39	100057	. Lockwasher - No. 8 internal	1
40	57718	. Button - Switch	1
41		. Housing - Fan (Order Fan Housing Assy #53488)	1
42	101179	Nut - Hex 7/16 in.	1
43	101270	Washer - Special	1
44	36144B	Pin - Starter pawl	2
45	24093	Pawl - Starter	2
46	50582	Spring - Pawl	2
47	48785D	Flywheel Assy	1
48	103879	Key - Woodruff	1
49	102289	Screw - Hex hd 10-24 x 3/4 in. lg.	4
50	102189	Washer - Plain #10	3
51	55494	Screw - Sealing #10	2
52	57126A	Crankcase Cover Assy (See Figure 2)	1
53	100882	Screw - Hex hd 1/4-20 x 3/4 in. lg.	2
54	100004	Washer - Plain 1/4 in.	2
	*61545A	Baffle - Spark arrester (Alternate)	

This list is continued on page 5

MODEL 650

(P/N 63200)

SERIAL NO. 10051 & UP

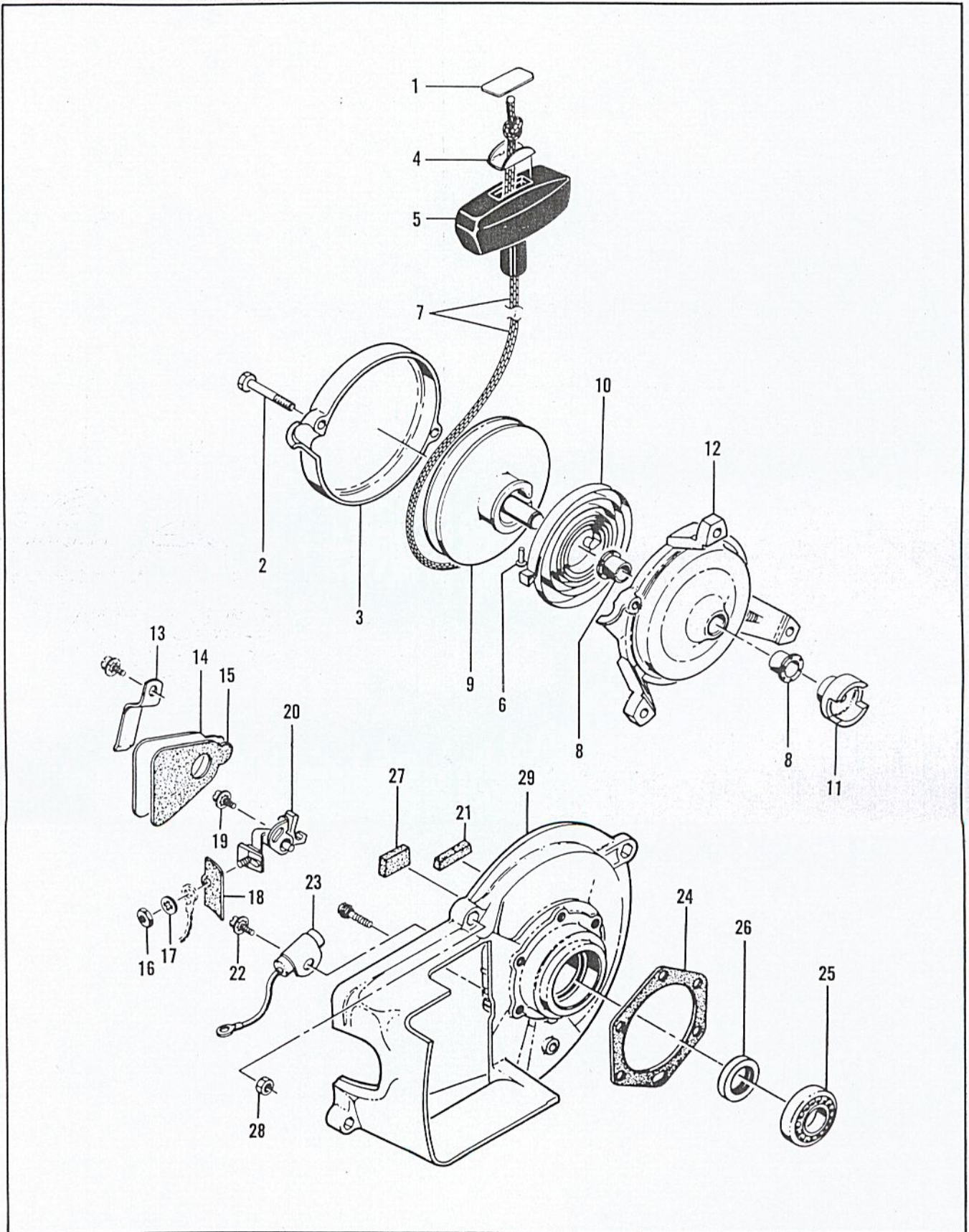


Figure 2. Starter and Crankcase Cover Assemblies

FIGURE 1. ENGINE EXPLODED VIEW - GENERAL (cont)

SERIAL NO. 10051 & UP

Index No.	Part Number	Nomenclature	Units Per Assy
55	104435	Screw - Oval hd 10-24 x 1-3/4 in. lg.	1
56		Cover and Airbox Assy (See Figure 4)	1
57	110127	Screw - Hex hd 10-24 x 7/8 in. lg. (SEMS)	4
58	101191	Nut - Hex 10-24	1
59	50041	Brace - Handle	1
60		Reed Plate Assy and Insulator (See Figure 4)	1
61		Powerhead Assy (See Figure 6)	1
62	59445	Decal - Oiler housing	1

FIGURE 2. STARTER AND CRANKCASE COVER ASSEMBLIES

Index No.	Part Number	Nomenclature	Units Per Assy
	60130	Starter Assy	1
1	57232	. Plate - Starter handle	1
2	104396	. Screw - 10-24 x 3/4 in. lg.	2
3	60647	. Cover - Starter	1
4	57231	. Cup - Starter handle	1
5	57230	. Handle - Starter	1
6	101136	. Rivet	1
7	28716	. Rope - Starter	1
8	57535	. Bushing	2
9	57792	. Drum - Starter	1
10	51665	. Spring - Rewind	1
11	57790	. Ratchet - Starter	1
12	60646	. Base - Starter	1
13	50671	Retainer - Breaker box cover	1
14	50588A	Cover - Breaker box	1
15	50589A	Gasket - Breaker box	1
16	100251	Nut - Hex 8-32	1
17	100057	Lockwasher - #8	1
18	50381A	Insulator - Breaker terminal	1
19	103672	Screw - Hex hd 8-32 x 1/2 in. lg. (SEMS)	1
20	50076A	Breaker Assy	1
21	50664	Felt - Breaker box	1
22	103672	Screw - Hex hd 8-32 x 1/2 in. lg. (SEMS)	1
23	50074	Condenser	1
24	51240	Gasket - Crankcase	1
25	100824	Bearing - Ball	1
	57126A	Crankcase Cover Assy	1
26	50663	. Seal - Oil	1
27	54184	. Wiper - Felt	1
28	101326	. Nut - Hex 10-24	2
29		. Cover - Crankcase (Order Crankcase Cover Assy #57126A)	1

MODEL 650

(P/N 63200)

SERIAL NO. 10051 & UP

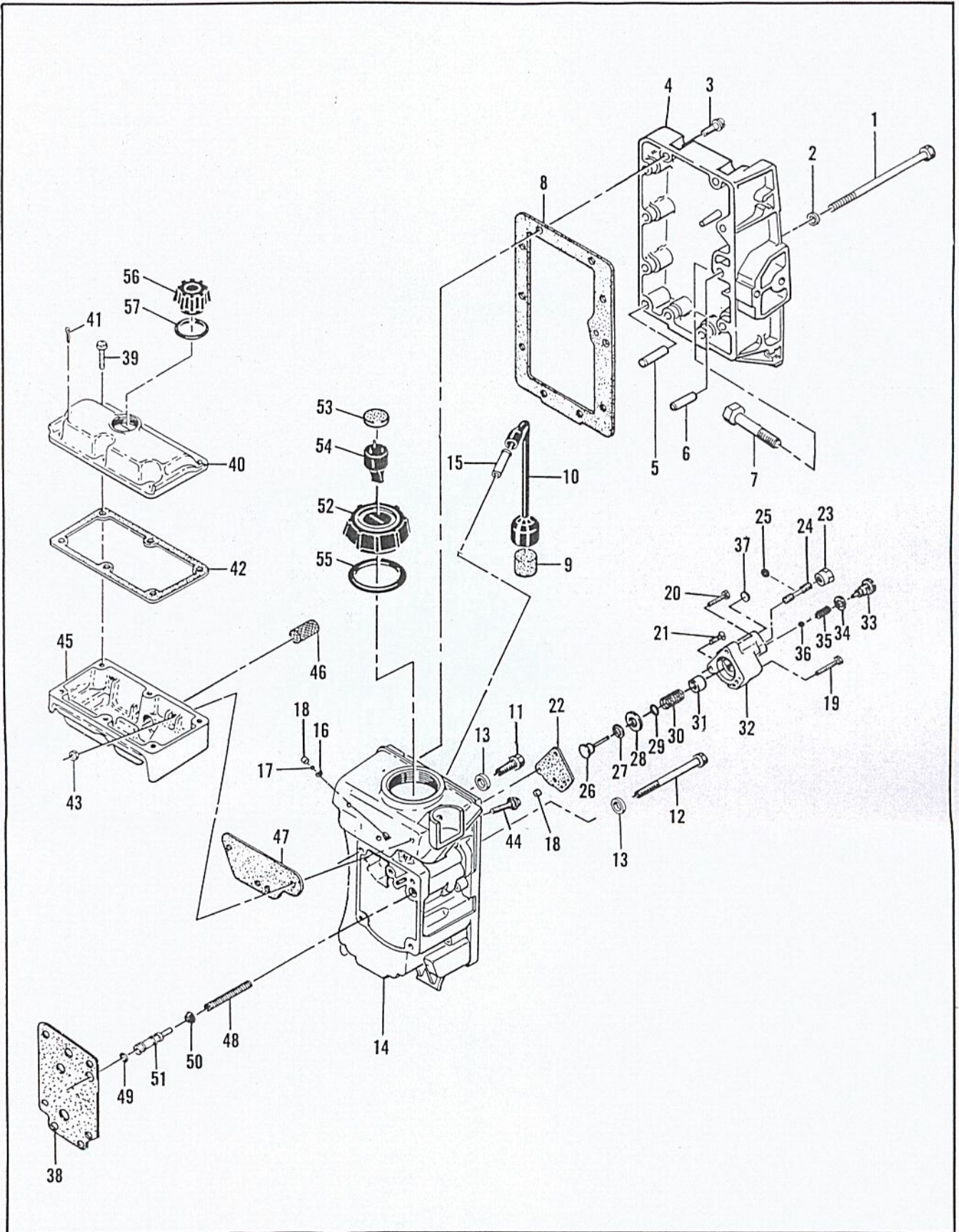


Figure 3. Oiler Tank and Fuel Tank Assemblies

FIGURE 3. OILER TANK AND FUEL TANK ASSEMBLIES.

SERIAL NO. 10051 & UP

Index No.	Part Number	Nomenclature	Units Per Assy
1	101975	Screw - Fil hd 10-24 x 2-1/2 in. lg.	1
2	100003	Washer - Plain #10	1
3	102763	Screw - Pan hd 10-24 x 3/4 in. lg.	9
4	61583	Cover Assy - Fuel tank	1
5	101209	. Dowel - 1/4 in. x 1-1/4 in.	1
6	61871	. Dowel - Hollow 1/4 in. x 1-3/8 in.	1
7	61437	. Bolt - Bar mounting	2
8	61586	Gasket - Fuel tank cover	1
9	50124A	Filter - Fuel	1
10	50082	Hose - Flex	1
11	102128	Screw - Hex hd 1/4-20 x 1-1/4 in. lg.	3
12	102150	Screw - Hex hd 1/4-20 x 3 in. lg.	1
13	110300	Washer - Sealing 1/4 in.	4
14	62443A	Fuel Tank Assy.	1
15	28042	. Tube - Fuel hose	1
16	110327	. Ring - Retaining	1
17	100071	. Ball	1
18	62216	. Seat - Ball	2
19	110257	Screw - Hex hd 10-24 x 1-3/4 in. lg. (SEMS).	1
20	110127	Screw - Hex hd 10-24 x 7/8 in. lg. (SEMS)	1
21	110245	Screw - Flat hd 10-24 x 3/4 in. lg.	1
22	62338B	Gasket - Pulse pump	1
	60253D	Pulse Pump Assy	1
23	60976	. Locknut - 10-24	1
24	62890	. Screw - Set 10-24 x 1-1/4 in. lg.	1
25	104001	. "O" Ring	1
26	60260A	. Piston Assy	1
27	60937	. Washer	1
28	60263	. Ring - Piston	1
29	101758	. "O" Ring	1
30	60259	. Spring - Piston	1
31	60258A	. Sleeve - Piston	1
32	60254D	. Body Assy - Pulse pump	1
33	60397A	. . Screw - Fil hd special	1
34	60398B	. . Washer	1
35	60396B	. . Spring - Ball check	1
36	102809	. . Ball - Steel 0.093 in. dia.	1
37	110157	. . Plug - Expansion 5/8 in.	1
38	60601A	Gasket - Fuel Tank	1
39	104395	Screw - Pan hd 10-24 x 5/8 in. lg.	6
40	57114A	Cover - Oil tank	1
41	100010	Pin - Cotter	1
42	57152	Gasket - Oil tank cover.	1
43	101326	Nut - Hex 10-24	3
44	55494	Screw Assy - Sealing	3
45	57112A	Tank - Oiler	1
46	57279	Screen - Oiler.	1
47	57147	Gasket - Oiler tank	1
48	18349A	Spring - Oiler piston	1
49	101056	"O" Ring	1
50	24104A	Cup - Oiler piston	1
51	63122	Piston - Oiler	1
52	55934B	Fuel Cap Assy	1
53	55063	. Filter - Fuel cap	1
54	53766A	. Valve - Fuel cap	1
55	101348	"O" Ring	1
56	57129A	Cap - Oil filler	1
57	101148	"O" Ring	1

MODEL 650

(P/N 63200)

SERIAL NO. 10051 & UP

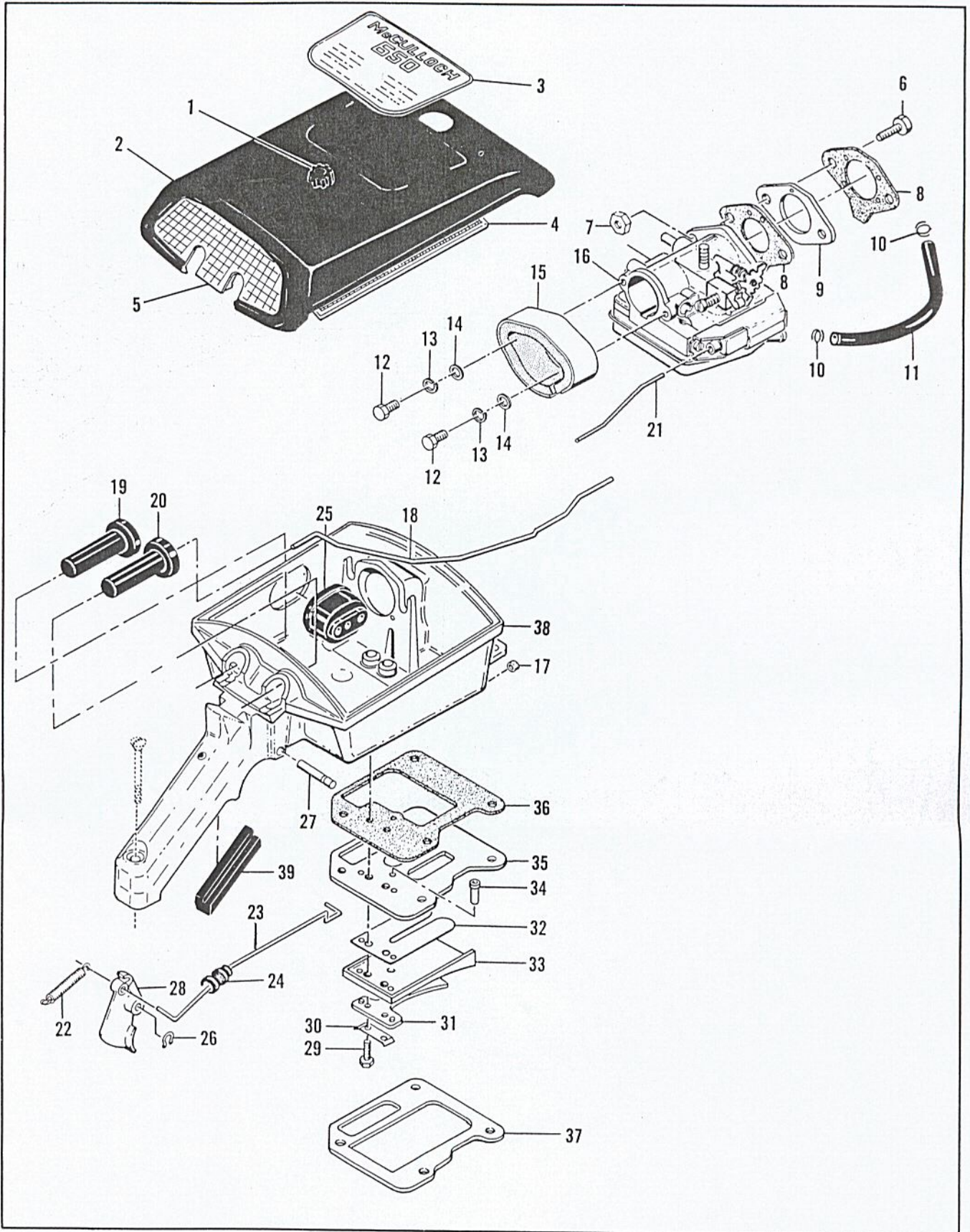


Figure 4. Cover and Airbox Assemblies

FIGURE 4. COVER AND AIRBOX ASSEMBLIES

SERIAL NO. 10051 & UP

Index No.	Part Number	Nomenclature	Units Per Assy
1	60342	Cover Assy - Air cleaner	1
2	60242	. Knob - Air cleaner cover	1
3	62782	. Cover - Air cleaner (Order Assy #60342)	1
4	55497	Plate - Name	1
5	57218	Screen - Air cleaner	1
6	60208	Trim - Air cleaner cover	1
7	103242	Screw - Hex hd 1/4-20 x 7/8 in. lg.	2
8	50123B	Nut - Hex 10-24.	2
9	53189	Gasket - Carburetor	2
10	50742	Adapter - Carburetor	1
11	50097	Clamp - Fuel hose	2
12	103705	Hose - Fuel	1
13	103174	Screw - Hex hd 10-32 x 9/16 in. lg.	2
14	102189	Lockwasher No. 10	2
15	58922A	Washer - Plain #10	2
16	61853A	Collector Assy - Fuel	1
17	55449A	Carburetor Assy (See Figure 5)	1
18	62226	Seal - Oiler pushrod	1
19	50591B	Pushrod - Oiler.	1
20	50591B	Button - Oiler	1
21	53589A	Button - Primer	1
	62488	Pushrod - Primer	1
22	36499	Airbox Assy	1
23	61106	. Spring - Throttle	1
24	60237	. Rod - Throttle	1
25	53277	. Grommet - Throttle rod	1
26	104501	. Grommet - Carburetor controls	1
27	50507	. Retainer - Trigger pin	1
28	50091B	. Pin	1
29	103740	. Trigger	1
30	51480	. Screw - Hex hd 8-32 x 5/8 in. lg.	2
31	57658A	. Plate - Lock	1
32	48593	. Clamp - Reed	1
33	53686A	. Valve - Reed	1
34	63067	. Deflector - Fuel	1
35	53685C	. Tube - Reed plate	1
36	57145A	. Plate - Reed	1
37	62834	. Gasket - Airbox	1
38		. Insulator - Reed plate	1
39	50218A	. Airbox (Order Airbox Assy #62488)	1
		Insert - Handle	1

MODEL 650

(P/N 63200)

SERIAL NO. 10051 & UP

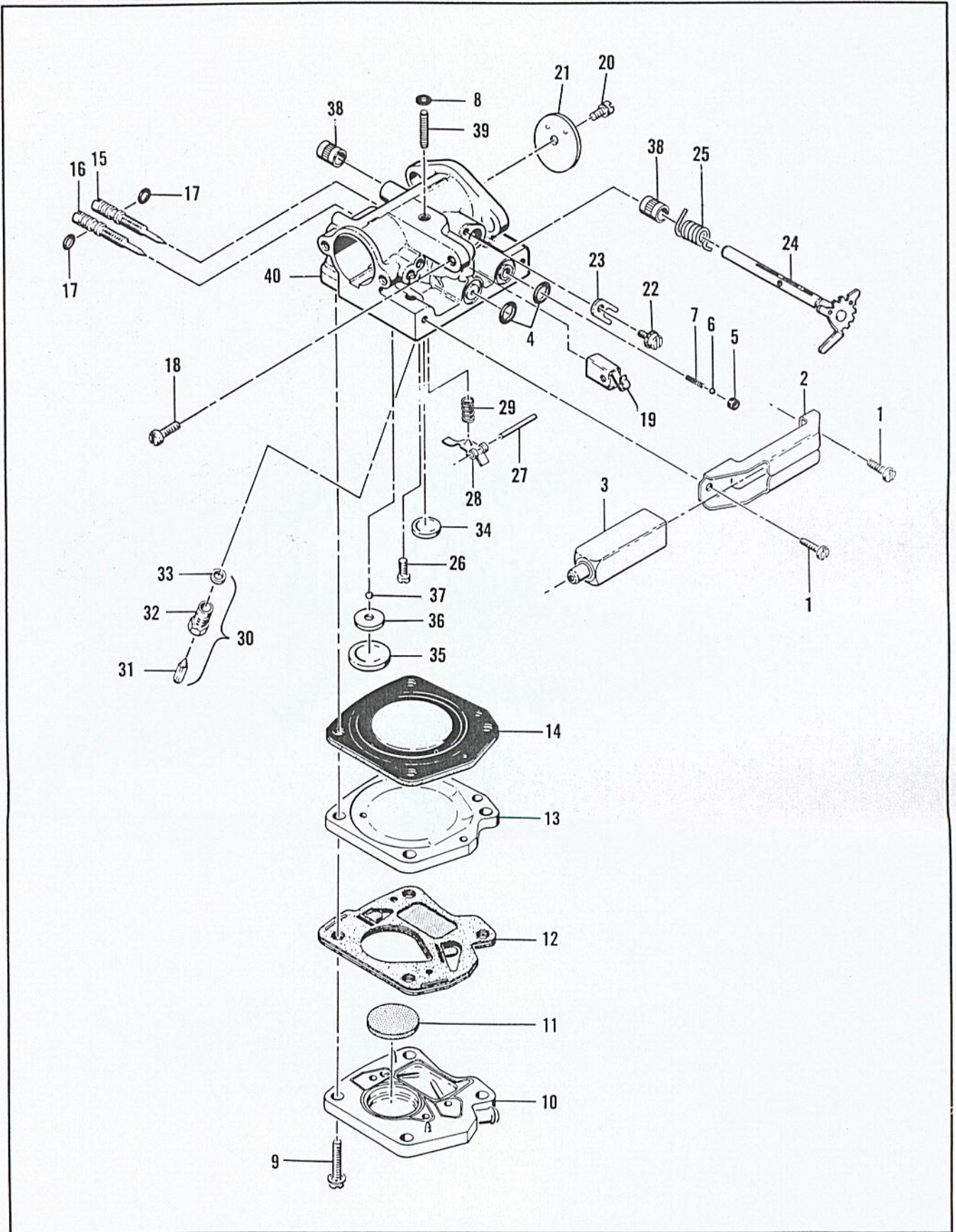


Figure 5. Carburetor Assembly

FIGURE 5. CARBURETOR ASSEMBLY

SERIAL NO. 10051 & UP

Index No.	Part Number	Nomenclature	Units Per Assy
	61853A	Carburetor Assy	1
1	110054	. Screw - Pan hd 6-32 x 3/8 in. lg.	2
2	53440	. Bracket - Primer mounting	1
3	53449	. Primer Assy	1
4	101056	. "O" Ring	2
5	59480	. Seat - Primer valve	1
6	100302	. Ball - Steel 1/8 in.	1
7	28754	. Spring - Primer	1
8	100283	. Grommet	1
9	104520	. Screw - 10-24 x 7/8 in. lg. (SEMS)	4
10	57667	. Body Assy - Fuel pump	1
11	57277	. Filter - Fuel pump	1
12	57274B	. Diaphragm Assy - Fuel pump	1
13	48901	. Plate - Carburetor diaphragm	1
14	55067C	. Diaphragm - Carburetor	1
15	53948	. Needle - Idle adjustment	1
16	53311	. Needle - Main adjustment	1
17	104001	. "O" Ring	2
18	62910	. Screw - Fil hd long locking	1
19	61108	. Guide - Throttle rod	1
20	104814	. Screw - 4-40 x 1/4 in. lg (SEMS)	1
21	61360	. Plate - Throttle	1
22	110055	. Screw - 8-32 x 3/8 in. lg (SEMS)	1
23	55082	. Clip - Shaft	1
24	61854A	. Shaft Assy - Throttle	1
25	61858	. Spring - Idle governor	1
26	104164	. Screw - Pan hd 4-40 x 1/4 in. lg	1
27	104305	. Pin - Lever	1
28	55688	. Lever - Inlet control	1
29	57172	. Spring - Inlet control	1
30	60163A	. Valve Set - Needle and body	1
31	63038	. Needle - Inlet control	1
32	58969	. Body - Needle valve	1
33	55689	. Washer - Needle valve	1
	61364	. Body Assy - Carburetor	1
34	102758	. Plug - Expansion 1/2 in.	1
35	104407	. Plug - Expansion 1 in.	1
	61155	. Set - Ball and seat	1
36	61152	. Seat - Ball	1
37	61151	. Ball - Nylon 3/32 in.	1
38	55062A	. Bushing - Body	2
39	48611	. Stud	1
40		. Body (Order Body Assy #61364)	1

MODEL 650

(P/N 63200)

SERIAL NO. 10051 & UP

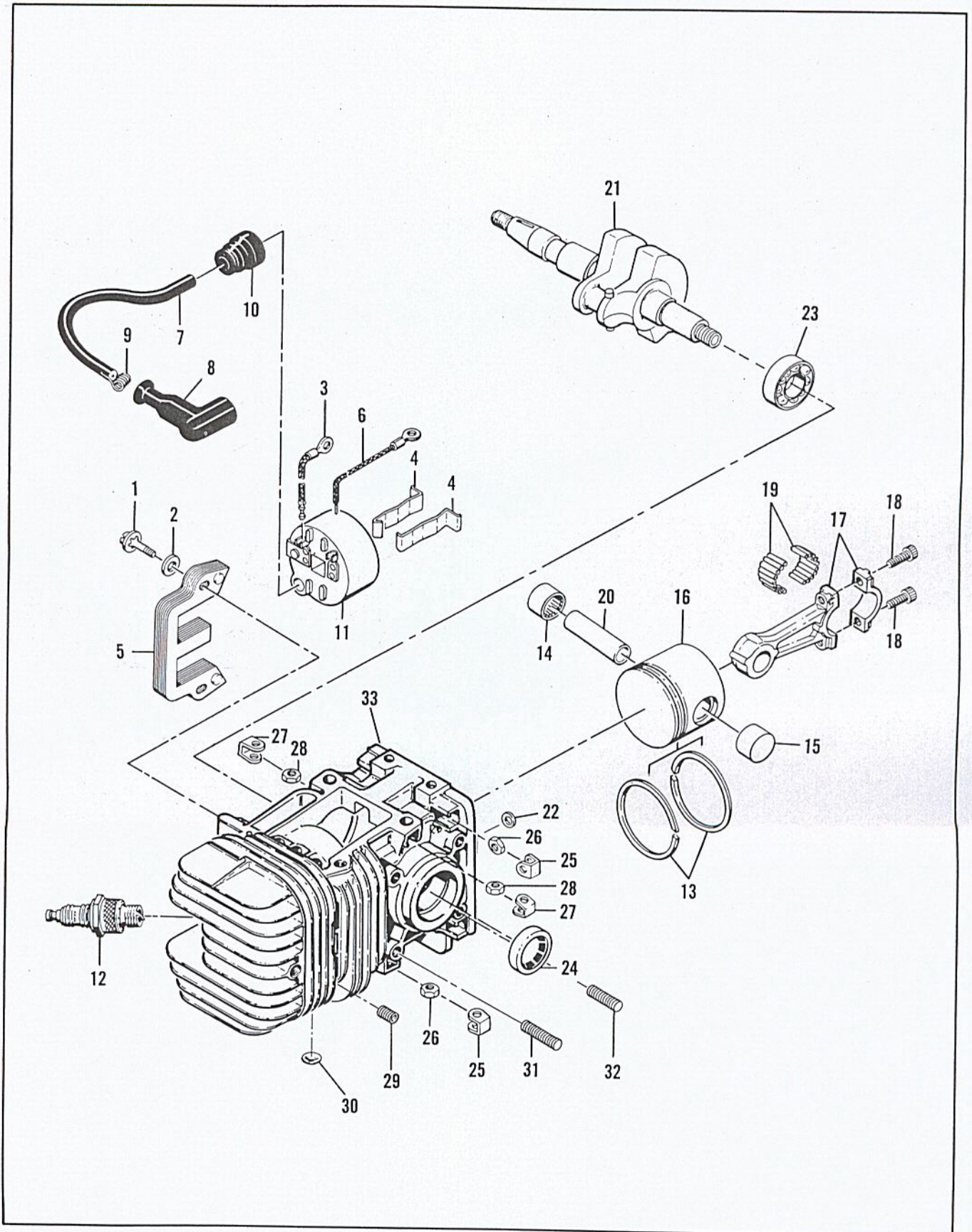


Figure 6. Powerhead Assembly

FIGURE 6. POWERHEAD ASSEMBLY

SERIAL NO. 10051 & UP

Index No.	Part Number	Nomenclature	Units Per Assy
1	104815	Screw - Hex hd 10-32 x 7/8 in. lg.	
2	102189	Washer - Plain #10	2
3	57225	Wire Assy - Primary	2
4	51253	Retainer - Coil	1
5	51251	Lamination Assy	2
	55949A	Coil and Terminal Assy	1
6	101883	. Wire Assy - Ground	1
7	52547	. Wire Assy - Spark plug	1
8	55060	. . Boot - Spark plug	1
9	55061	. . Connector	1
10	55617	. Nipple - Spark plug wire	1
11		. Coil Assy (Order Coil and Terminal Assy #55949A)	1
12		Spark Plug 14MM. (Order Piston Assy #53941A)	1
	53941A	Piston Assy	1
13	55123	. Ring Set - Piston	1
14	101206	. Bearing	1
15	104378	. Bearing (closed end)	1
16		. Piston (Order Piston Assy #53941A)	1
17	47903	Connecting Rod Assy	1
18	60210A	. Screw - Socket hd 10-32 x 5/8 in. lg.	2
19	102742	. Roller - Needle	24
20	62831	Pin - Piston	1
21	61860	Crankshaft	1
22	57736	Seal - Pushrod	1
23	100824	Bearing - Ball	1
	62731	Crankcase Assy	1
24	104432	. Seal - Oil	1
25	18556A	. Retainer - Nut	6
26	105394	. Nut - Hex 1/4-20	6
27	28053	. Retainer - Nut	2
28	101326	. Nut - Hex 10-24	2
29	110034	. Insert - Taplok	2
30	110179	. Plug - Expansion	3
31	62450A	. Stud - 1/4-20 x 1-3/4 in. lg.	2
32	62449A	. Stud - 1/4-20 x 1-1/2 in. lg.	1
33		. Crankcase (Order Crankcase Assy #62731)	1

OVERSIZE PISTON ASSEMBLY

Part Number	Nomenclature	Units Per Assy
53942A	Piston Assy 0.010 in. oversize	1
55124	. Ring Set 0.010 in. oversize	1
101206	. Bearing	1
104378	. Bearing (closed end)	1
53943A	Piston Assy 0.020 in. oversize	1
55125	. Ring Set 0.020 in. oversize	1
101206	. Bearing	1
104378	. Bearing (closed end)	1
53944A	Piston Assy 0.030 in. oversize	1
55126	. Ring Set 0.030 in. oversize	1
101206	. Bearing	1
104378	. Bearing (closed end)	1

MODEL 650

(P/N 63200)

SERIAL NO. 10051 & UP

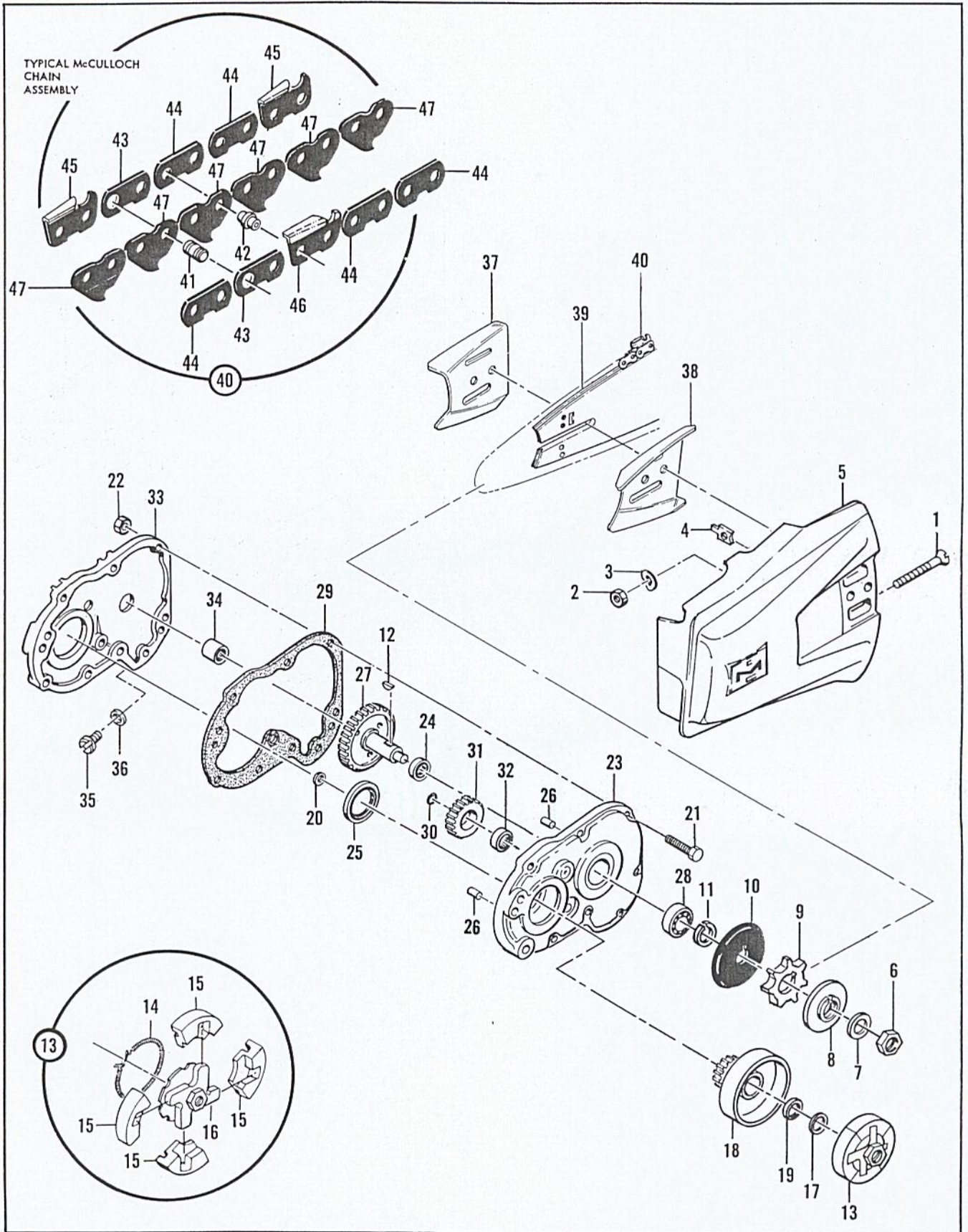


Figure 7. Transmission, Clutch Guard, Bar and Chain Assemblies

**FIGURE 7. TRANSMISSION, CLUTCH GUARD, BAR
AND CHAIN ASSEMBLIES**

MODEL 650

(P/N 63200)

SERIAL NO. 10051 & UP

Index No.	Part Number	Nomenclature	Units Per Assy
	61587	Guard Assy - Clutch	1
1	61908A	. Screw - Flat hd 1/4-28 x 2-1/2 in. lg.	1
2	100640	. Nut - Lock 1/4-28	1
3	102813	. Washer - Wave	1
4	61905	. Nut - Bar adjusting	1
5	61588	. Guard - Clutch	1
6	101179	Nut - Hex jam 7/16 in.	1
7	100593	Washer - Plain 7/16 in.	1
8	36862	Shroud - Sprocket	1
9	36644A	Sprocket - 7 tooth, 1/2 in. pitch	1
10	62059	Washer - Sprocket	1
11	61354	Spacer - Sprocket	1
12	100256	Key - Woodruff #6	1
13	50060B	Clutch Assy.	1
14	51468A	. Spring - Clutch	1
15	51464A	. Shoe - Clutch.	4
16	50144B	. Rotor Assy - Clutch	1
17	53267	Washer - Special	1
18	63187	Drum and Gear Assy	1
19	62061	. Seal - Oil	1
20	63189	Washer - Thrust	1
	63175	Transmission Assy (3:1)	1
21	102500	. Screw - Pan hd 10-24 x 1/2 in. lg.	7
22	101191	. Nut - Hex 10-24	7
23	63179	. Cover Assy - Transmission	1
24	62060	. . Seal - Oil	1
25	62062	. . Seal - Oil	1
26	101770	. . Pin - Dowel	2
27	63182	. Gear - Sprocket	1
28	110302	. Bearing - Ball	1
29	63186	. Gasket - Gearcase cover	1
30	110319	. "O" Ring	1
31	63184	. Gear Assy - Idler	1
32	101595	. . Bearing - Idler gear	1
33	63176	. Gearcase Assy - Transmission	1
34	104378	. . Bearing - Needle	1
35	4623111	. . Plug	1
36	62948	. . Gasket - Plug	1
	61994	Set - Bar protector plate	1
37	61995	. Plate - Bar protector L.H.	1
38	61996	. Plate - Bar protector R.H.	1
39	52551	Bar - Flame hardened - 18 in.	1
	51405A	Bar - Hard faced - 18 in.	
	51407A	Bar - Hard faced - 24 in.	
	51409A	Bar - Hard faced - 30 in.	
	50346	Laminated Bar - Hard faced - 18 in.	
	50348	Laminated Bar - Hard faced - 24 in.	
40		Typical McCulloch Chain Assy	
41		. Master Pin	
42		. Rivet	
43		. Master Side Link	
44		. Side Link	
45		. Cutter - Left side	
46		. Cutter - Right side	
47		. Center Link	

MODEL 650

(P/N 63200)



SERIAL NO. 10051 & UP

TOOLS AND ACCESSORIES

Part Number	Nomenclature	Units Per Assy
61783	Kit - Spike	1
100882	. Screw - Hex hd 1/4-20 x 3/4 in. lg.	2
101143	. Nut - Hex 1/4-20	2
100053	. Washer - Plain 1/4 in.	2
*51445A	Wrench and Screwdriver Combination	
*61551	Owner's Manual of Operating Instructions	
56625B	Chain Maintenance Manual	
36248	Wrench - Spark plug	
56250	Depth Gauge - 0.025 - 0.040 in.	
56251	Depth Gauge - 0.040 - 0.060 in.	

*Items furnished with each saw.

The policy of McCulloch Corporation is one of continual improvement in design, manufacturing and engineering advancement wherever possible to assure still finer two-cycle power tools. Hence, specifications, equipment, colors, design and manufacturer's suggested list prices are subject to change without notice and McCulloch Corporation reserves the right to make such changes without prior notification or obligation to backfit or supply backfit components for units previously shipped from the factory.