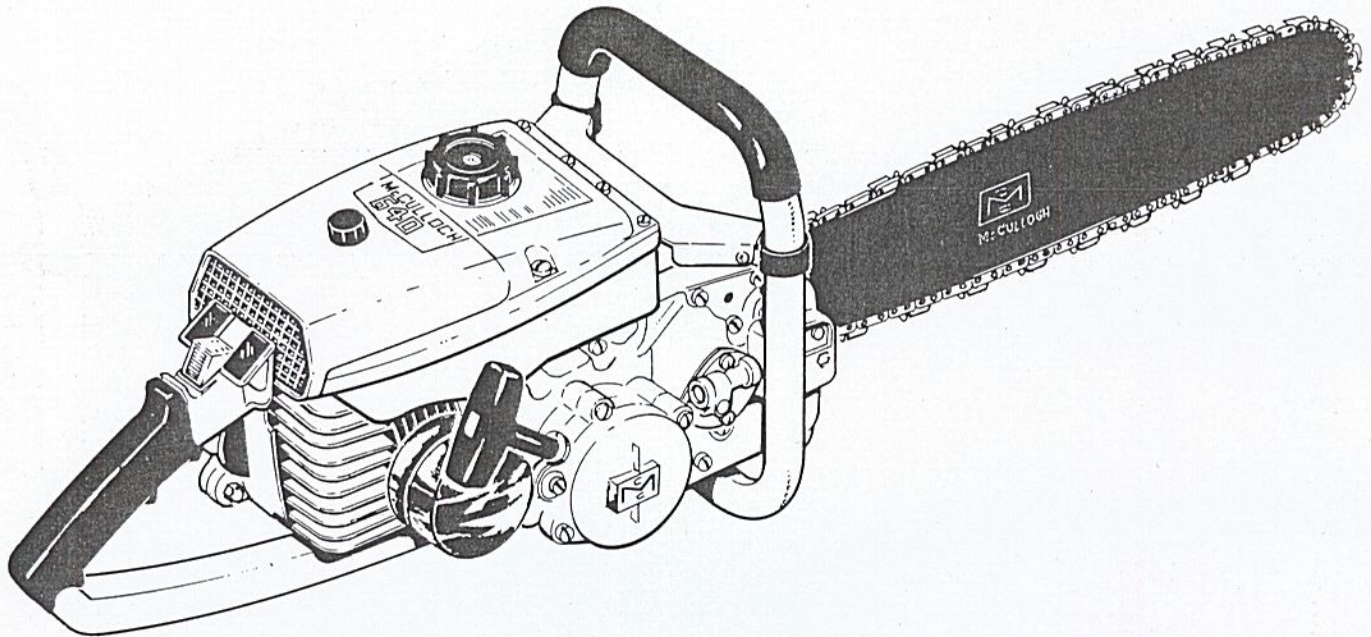


ILLUSTRATED PARTS LIST

MAY 1964



The following pages contain an illustrated parts list for the Model 640 Chain Saw, Serial No. 17001 and up. It is important that the Serial Number of your saw be included whenever spare parts are ordered. This will assure receiving the proper parts from your dealer.

The McCulloch Corporation reserves the right to modify or change specifications without (1) prior notification or (2) obligation including the obligation to back-fit or supply back-fit components for units previously shipped from the factory.

	Page
Figure 1. Engine Exploded View - General	2
Figure 2. Fuel System Components.	4
Figure 3. McCulloch Carburetor Assembly	6
Figure 4. Starter and Clutch Assemblies.	8
Figure 5. Powerhead Assembly	10
Figure 6. Transmission Assembly	12
Figure 7. Lockplate Adjusting Assembly, Bar and Chain . . .	14
Figure 8. Plunge Band Saw Assembly	16
Figure 9. Handle and Control Assembly	18



McCULLOCH CORPORATION
8101 West Century Boulevard,
Los Angeles 45, California

MODEL
640

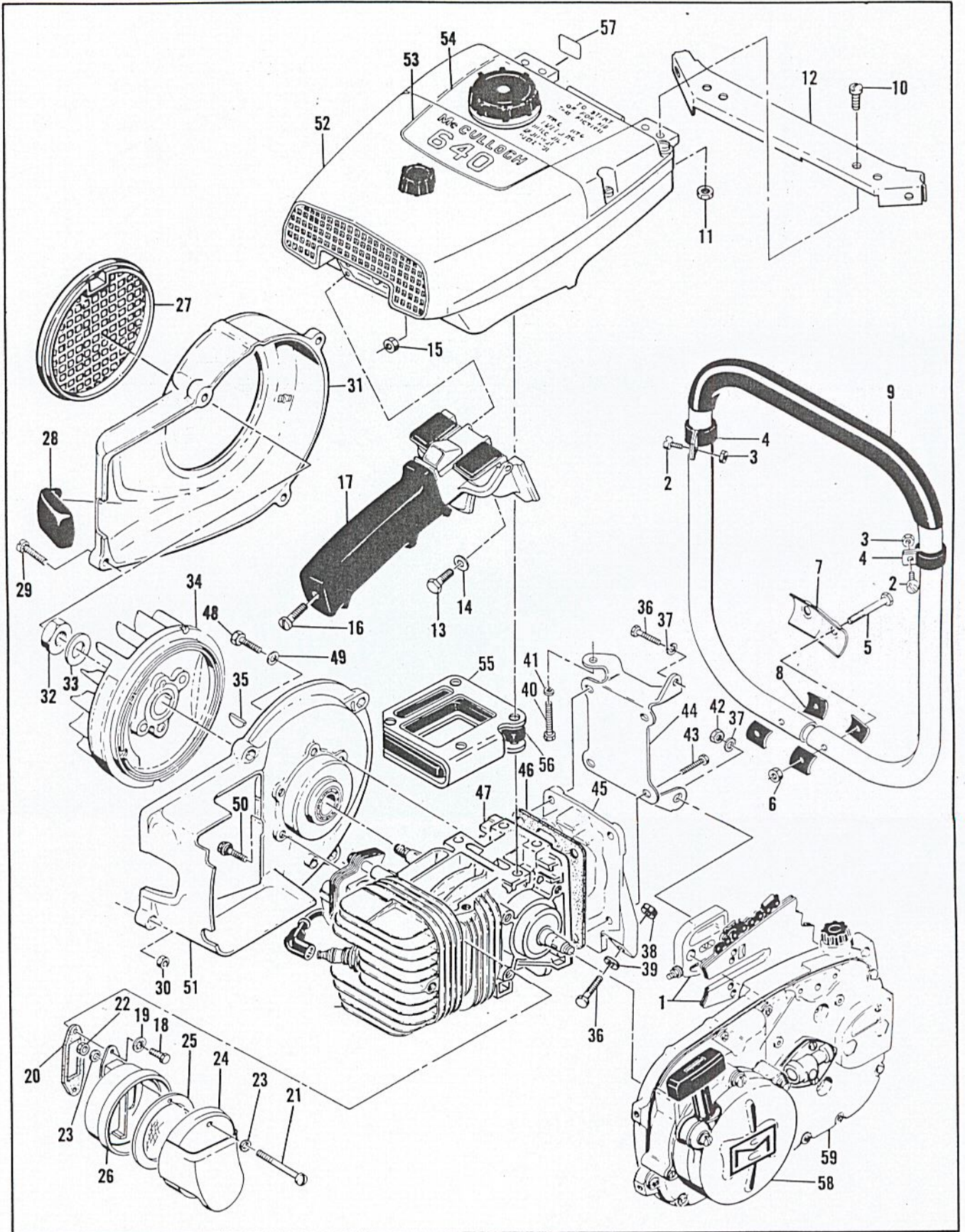


Figure 1. Engine Exploded View - General

FIGURE 1. ENGINE EXPLODED VIEW—GENERAL

Index No.	Part Number	Nomenclature	Units Per Assy
1		Bar, Chain and Lockplate Adjusting Assy (see Figure 7)	1
2	102761	Screw - Hex hd 10-24 x 7/8 in. lg.	2
3	100239	Nut - Hex 10-24	2
4	103923	Clamp	2
5	102125	Screw - Hex hd 1/4-20 x 1-3/4 in. lg.	2
6	101143	Nut - Hex 1/4-20	2
7	51660	Clamp - Frame	1
8	50062	Insulator	4
9	60766A	Frame and Grip Assy	1
10	104393	Screw - Pan hd 10-24 x 3/8 in. lg.	4
11	101191	Nut - Hex 10-24	4
12	60770	Brace - Frame	1
13	102761	Screw - Hex hd 10-24 x 7/8 in. lg.	2
14	102189	Washer - Plain #10.	2
15	102067	Nut - Hex 10-24	2
16	104397	Screw - Pan hd 10-24 x 7/8 in. lg.	1
17		Handle and Control Assy (see Figure 9)	1
18	102388	Screw - Hex hd 10-24 x 5/8 in. lg.	2
19	103100	Lockwasher - #10	2
20	53652	Gasket - Spark Arrester	1
	*61387	Spark Arrester Assy.	1
21	103361	Screw - Fil hd 10-24 x 1-5/8 in. lg.	2
22	101191	Nut - Hex 10-24	2
23	110264	Washer - Special	4
24	51979A	Top Assy - Spark arrester	1
25	**61545	Baffle Assy - Spark arrester	1
26	51975	Bottom Assy - Spark arrester	1
27	55615	Guard - Flywheel	1
28	57565	Cover Assy - Spark plug	1
29	104815	Screw - Hex hd 10-24 x 7/8 in. lg (SEMS).	4
30	101191	Nut - Hex 10-24	2
31	61133	Housing - Fan	1
32	101179	Nut - Hex 7/16 in.	1
33	101270	Washer - Plain 7/16 in.	1
34	57825B	Flywheel Assy	1
35	103879	Key - Woodruff #3	1
36	100882	Screw - Hex hd 1/4-20 x 3/4 in. lg.	2
37	100153	Lockwasher - 1/4 in.	2
38	101143	Nut - Hex 1/4-20	1
39	100005	Washer - Plain 1/4 in.	1
40	102151	Screw - Hex hd 1/4-20 x 1/2 in. lg.	1
41	100246	Lockwasher - 1/4 in.	1
42	100248	Nut - Hex 1/4-28	1
43	101982	Screw - Hex hd 1/4-20 x 1 in. lg.	4
44	61225	Bracket - Gearcase	1
45	53473	Cover - Crankcase bottom	1
46	58166A	Gasket - Crankcase bottom	1
47		Powerhead Assy (see Figure 5).	1
48	102289	Screw - Hex hd 10-24 x 3/4 in. lg.	4
49	102189	Washer - Plain #10.	3
50	55494	Screw - Sealing 10-24 x 3/4 in. lg.	2
51		Crankcase Cover Assy (see Figure 5).	1
52		Fuel System Components (see Figure 2).	1
53	60456A	Nameplate.	1
54	60425A	Instruction Plate	1
55	53768A	Gasket - Insulator	1
56	53684A	Insulator.	1
57	59445	Decal - Oiler	1
58		Starter and Clutch Assys (see Figure 4).	1
59		Transmission Assy (see Figure 6).	1

*51966 Muffler Assy (Alternate)

**51968 Baffle - Muffler (Alternate)

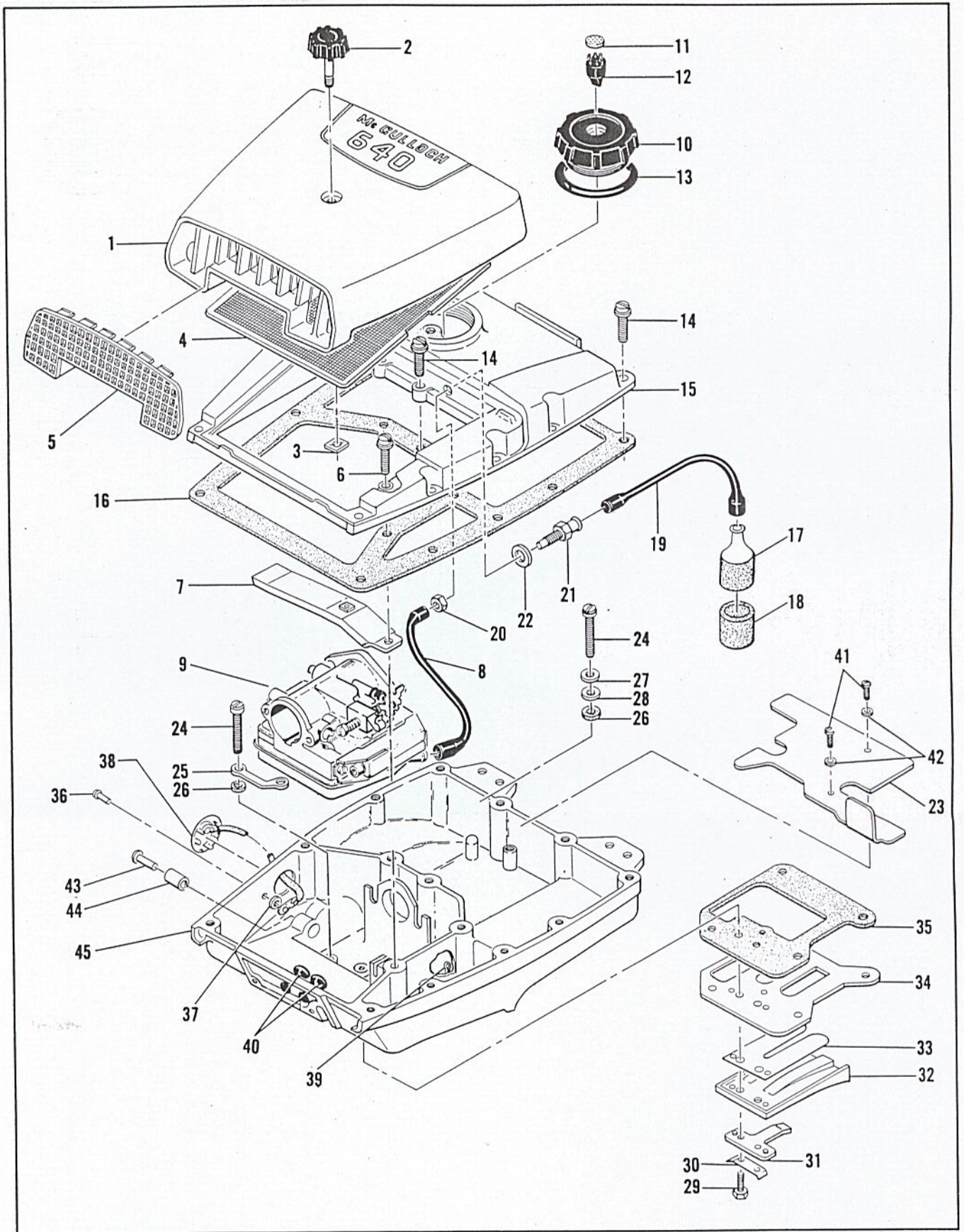


Figure 2. Fuel System Components

FIGURE 2. FUEL SYSTEM COMPONENTS

Index No.	Part Number	Nomenclature	Units Per Assy
1	60427	Cover Assy - Air cleaner	1
2	60243	. Knob - Air cleaner cover.	1
3	103741	. Speednut.	1
4	55498	Screen - Air cleaner.	1
5	55659	Grill - Air cleaner cover.	1
6	104396	Screw - Pan hd 10-24 x 3/4 in. lg.	1
7	55634	Anchor Assy - Air cleaner.	1
8	53678A	Hose - Fuel line.	1
9		McCulloch Carburetor Assy (see Figure 3).	1
10	55934B	Cap Assy - Fuel.	1
11	55063	. Filter - Fuel cap.	1
12	53766A	. Valve - Check.	1
13	101348	"O" Ring - Fuel cap.	1
14	104396	Screw - Pan hd 10-24 x 3/4 in. lg.	14
15	53682	Cover - Fuel tank.	1
16	55627A	Gasket - Fuel tank.	1
17	53679B	Pickup Assy - Fuel.	1
18	61159	. Filter - Fuel pickup.	1
19	53678A	Hose - Fuel pickup.	1
20	100640	Nut - Hex 1/4-28.	1
21	53675A	Fitting - Fuel hose.	1
22	50832A	Washer - Sealing.	1
23	53837A	Liner - Fuel tank.	1
24	55948A	Screw - Hex hd 10-24 x 1-1/8 in. lg.	4
25	58376	Lockplate - Fuel tank.	1
26	55636	Washer - Insulating.	4
27	102189	Washer - Plain #10.	2
28	103744	Washer - Sealing.	2
29	103740	Screw - Hex hd 8-32 x 5/8 in. lg.	2
30	51480	Lockplate.	1
31	57658	Clamp - Reed.	1
32	57654	Deflector - Fuel.	1
33	58399	Valve - Reed.	1
34	53685A	Plate - Reed.	1
35	58328B	Gasket - Fuel tank.	1
	61533	Bottom Assy - Fuel tank.	1
36	104504	. Rivet.	1
37	101871	. Washer - Plain 1/8 in.	1
38	51396A	. Cover Assy - Adjustment hole.	1
39	104310	. Pin - Cotter.	1
40	60237	. Grommet.	2
41	104769	. Screw - Pan hd 6-32 x 3/8 in. lg.	2
42	100296	. Washer - Plain #6.	2
43	103819	. Rivet.	1
44	103708	. Bushing.	1
45		. Bottom - Fuel tank. . . . (Order Fuel Tank Bottom Assy #61533)	1

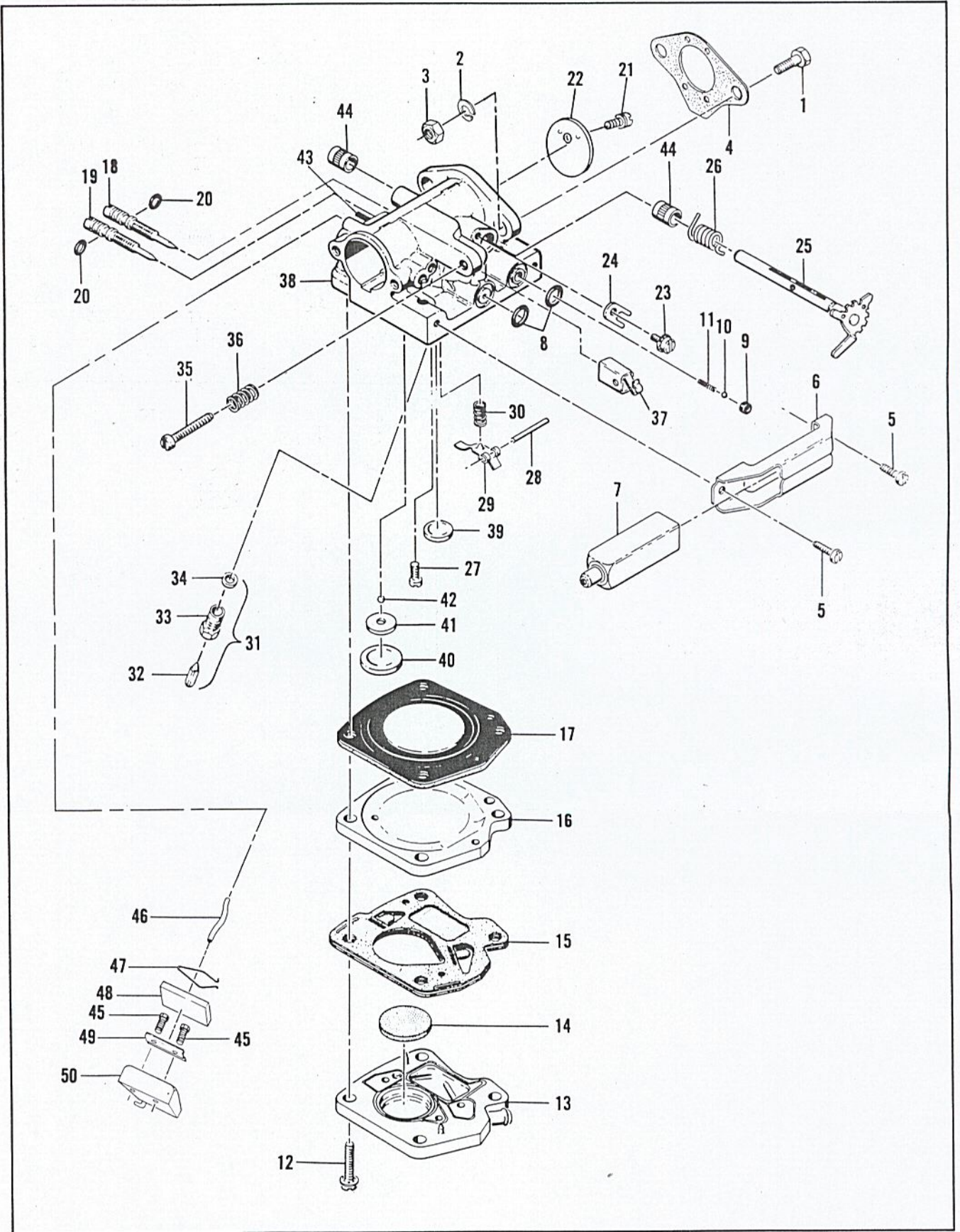


Figure 3. McCulloch Carburetor Assembly

FIGURE 3. McCULLOCH CARBURETOR ASSEMBLY

Index No.	Part Number	Nomenclature	Units Per Assy
1	100882	Screw - Hex hd 1/4-20 x 3/4 in. lg	2
2	101476	Lockwasher - 1/4 in.	2
3	103242	Nut - Hex 1/4-20	2
4	51161D	Gasket - Carburetor	1
	61857	Carburetor Assy - McCulloch	1
5	110054	. Screw - Pan hd 6-32 x 3/8 in. lg	2
6	53440	. Bracket - Primer mounting	1
7	53449	. Primer Assy	1
8	101056	. "O" Ring.	2
9	59480	. Seat - Primer valve	1
10	100302	. Ball - Steel 1/8 in. dia	1
11	28754	. Spring - Primer.	1
12	104520	. Screw - 10-24 x 7/8 in. lg.	4
13	57667	. Body Assy - Fuel pump.	1
14	57277	. Filter - Fuel pump.	1
15	57274B	. Diaphragm Assy - Fuel pump.	1
16	48901	. Plate - Carburetor diaphragm	1
17	55067C	. Diaphragm - Carburetor	1
18	53948	. Needle - Idle adjustment	1
19	53311	. Needle - Main adjustment	1
20	104001	. "O" Ring.	2
21	104814	. Screw - Pan hd 4-40 x 1/4 in. lg	1
22	61360	. Plate - Throttle	1
23	110055	. Screw - 8-32 x 3/8 in. lg (SEMS)	1
24	55082	. Clip - Shaft.	1
25	61854A	. Shaft Assy - Throttle	1
26	61858	. Spring - Governor	1
27	104164	. Screw - Pan hd 4-40 x 1/4 in. lg	1
28	104305	. Pin - Lever.	1
29	55688	. Lever - Inlet control	1
30	57172	. Spring - Inlet control	1
31	60163A	. Valve Set - Needle and body.	1
32	59710	. Needle - Inlet valve	1
33	58969	. Body - Inlet valve.	1
34	55689	. Washer - valve	1
35	61119	. Screw - Fil hd 8-36 x 15/16 in. lg	1
36	51705	. Spring - Idle screw.	1
37	61108	. Guide - Throttle rod	1
38	61364	. Body Assy - Carburetor	1
39	102758	. Plug - Expansion 1/2 in.	1
40	104407	. Plug - Expansion 1 in.	1
41	61152	. Seat - Ball check	1
42	61151	. Ball - Check	1
43	47523	. Tube - Fuel.	1
44	55062A	. Bushing - Body	1
45	110061	Screw - Pan hd 8-32 x 3/8 in. lg	2
46	58869A	Hose - Fuel collector	1
47	58920A	Retainer - Fuel absorber	1
48	58865	Absorber - Fuel.	1
49	58864	Plate - Retaining	1
50	58863A	Collector Assy - Fuel.	1

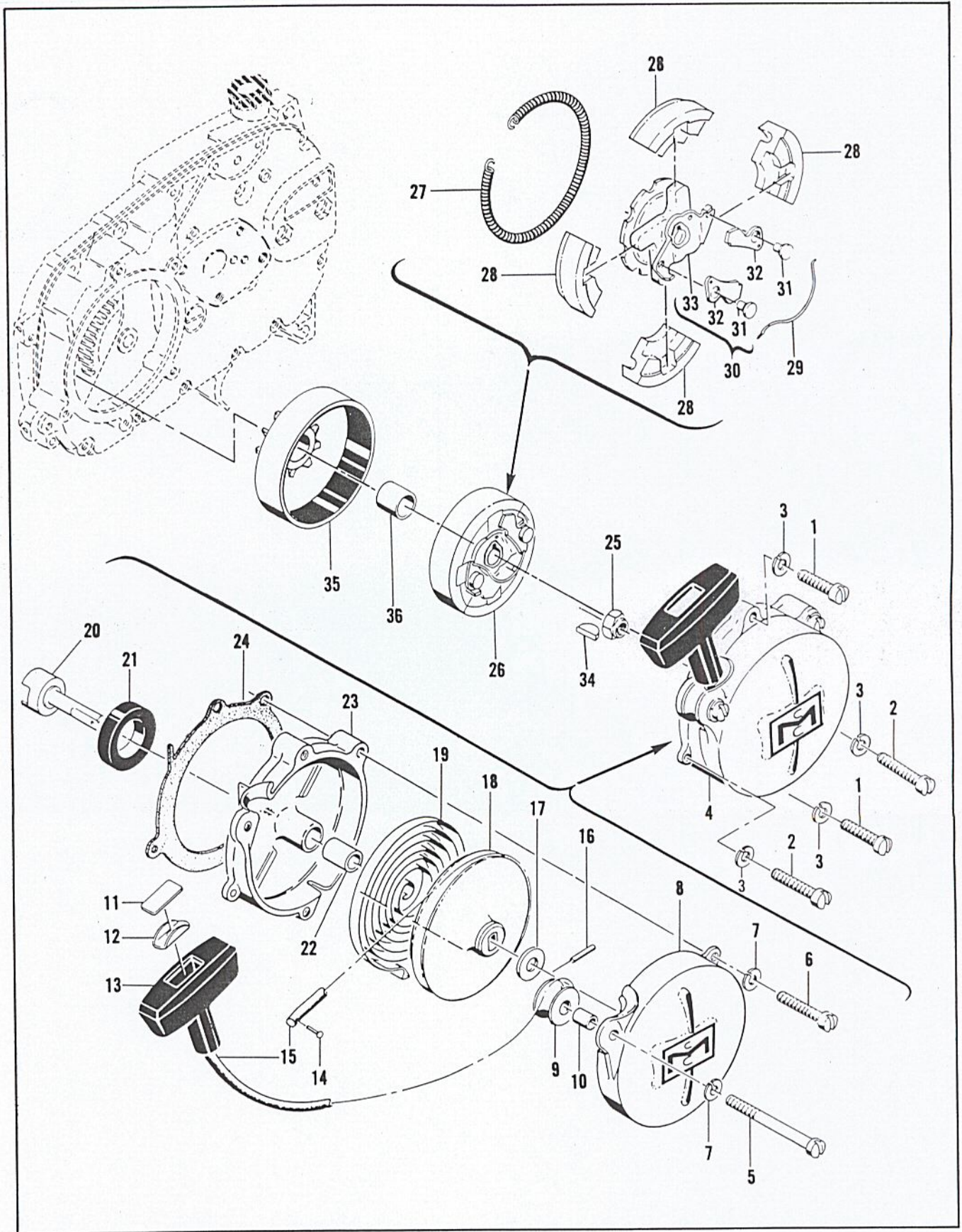


Figure 4. Starter and Clutch Assemblies

FIGURE 4. STARTER AND CLUTCH ASSEMBLIES

Index No.	Part Number	Nomenclature	Units Per Assy
1	102212	Screw - Fil hd 10-24 x 1-3/4 in. lg.	2
2	102135	Screw - Fil hd 10-24 x 2 in. lg.	2
3	101194	Lockwasher.	4
4	55129C	Starter Assy	1
5	103840	. Screw - Fil hd 10-24 x 3-1/2 in. lg.	1
6	102135	. Screw - Fil hd 10-24 x 2 in. lg.	1
7	100240	. Lockwasher.	2
8	55024B	. Cover - Starter	1
9	51138	. Pulley - Starter rope	1
10	103536	. Bearing - Pulley	1
11	57232	. Plate - Starter handle	1
12	57231	. Cup - Starter handle	1
13	57230	. Handle - Starter.	1
14	101136	. Rivet	1
15	28716	. Rope	1
16	103047	. Pin	1
17	104457	. Washer - Plain 3/8 in.	1
18	55871	. Drum - Starter	1
19	51665	. Spring - Starter rewind	1
20	55110	. Shaft - Starter.	1
21	104439	. Seal - Oil	1
	51649B	. Base Assy - Starter	1
22	55591	. . Bearing - Starter base	1
23		. . Base - Starter (Order Base Assy #51649B)	1
24	55983	Gasket - Starter base	1
25	103746	Nut - Flexloc	1
26	61227	Clutch Assy.	1
27	58850	. Spring - Shoe retaining	1
28	61228	. Shoe - Clutch	4
29	28766	. Spring - Starter pawl	1
30	61322	. Rotor and Pawl Assy - Clutch	1
31	28917	. . Pin - Starter pawl	1
32	28765	. . Pawl - Starter.	1
33		. . Rotor Assy (Order Rotor and Pawl Assy #61322)	1
34	103879	Key - Woodruff	1
35	61321	Drum and Liner Assy - Clutch (For 3:1 and 2:1 transmissions)	1
36	51700	. Bushing - Clutch drum	1

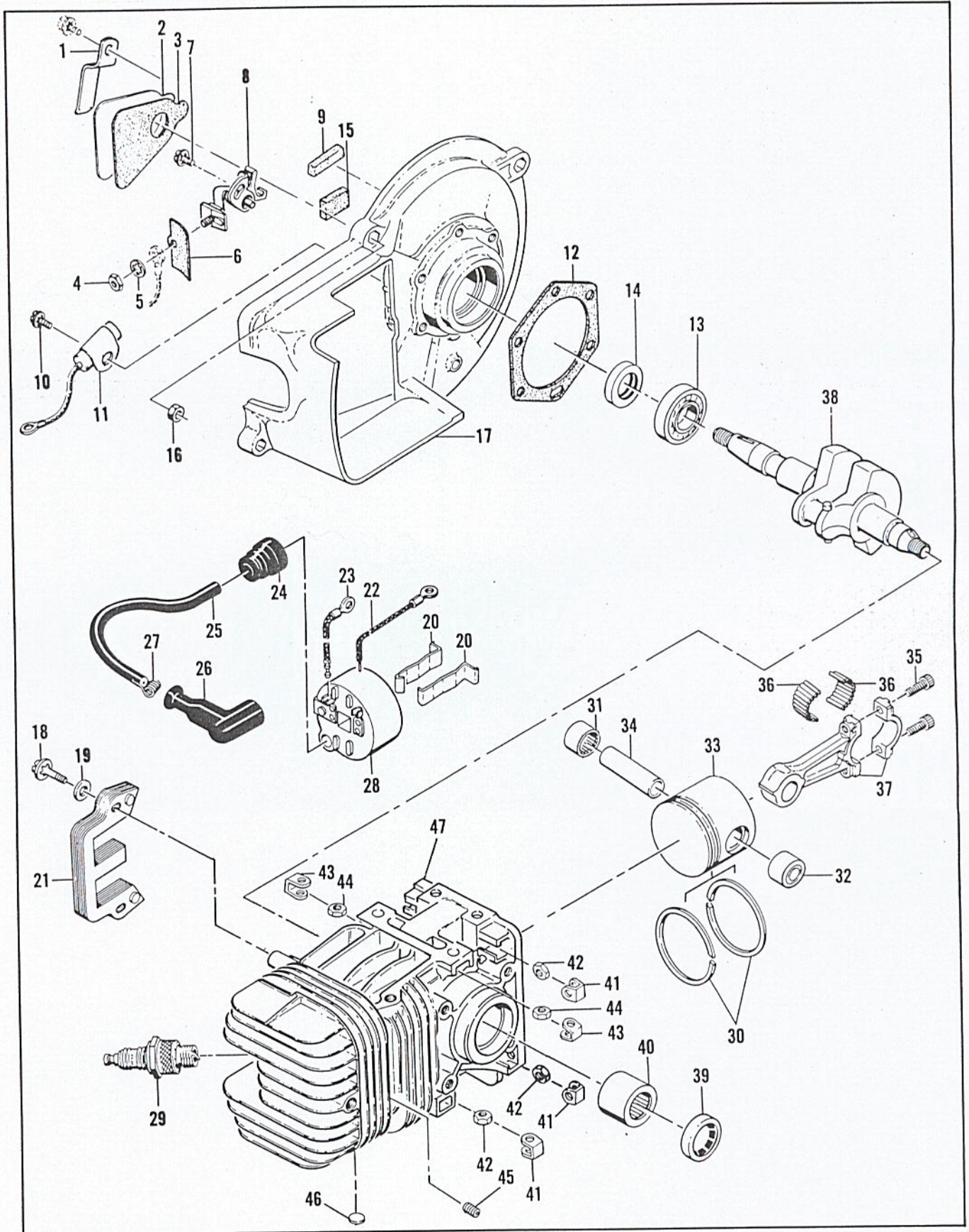


Figure 5. Powerhead Assembly

FIGURE 5. POWER HEAD ASSEMBLY

Index No.	Part Number	Nomenclature	Units Per Assy
1	50671	Retainer - Breaker box cover	1
2	50588	Cover - Breaker box	1
3	50589	Gasket - Breaker box cover	1
4	100251	Nut - Hex 8-32	1
5	100057	Lockwasher #8 internal	1
6	50381A	Insulator - Breaker terminal	1
7	103672	Screw - 8-32 x 1/2 in. lg (SEMS)	1
8	50076A	Breaker Assy	1
9	50664	Felt - Breaker box	1
10	103672	Screw - 8-32 x 1/2 in. lg (SEMS)	1
11	50074	Condenser	1
12	51240	Gasket - Crankcase cover	1
13	100824	Bearing - Ball	1
	57126A	Cover Assy - Crankcase	1
14	50663	. Seal - Oil	1
15	54184	. Felt - Wiper	1
16	101326	. Nut - Hex 10-24	2
17		. Cover - Crankcase.. (Order Crankcase Cover Assy #57126A)	1
18	101965	Screw - 10-24 x 0.88 in. lg (SEMS)	2
19	100003	Washer - Plain #10	2
20	51253	Retainer - Coil	2
21	51251	Lamination Assy	1
22	57225	Wire Assy - Primary	1
	55949A	Coil and Terminal Assy	1
23	101883	. Wire Assy - Ground	1
24	55617	. Nipple - Spark plug wire	1
25	52547	. Wire Assy - Spark plug	1
26	55060	. Boot - Spark plug	1
27	55061	. Connector	1
28		. Coil Assy (Order Coil and Terminal Assy #55949A)	1
29		Spark Plug - 14 mm	1
	53941A	Piston Assy	1
30	55123	. Ring Set - Piston (set of 2 rings)	1
31	101206	. Bearing - Needle	1
32	104378	. Bearing - Needle (closed end)	1
33		. Piston (Order Piston Assy #53941A)	1
34	58132	Pin - Piston	1
	47782A	Connecting Rod Assy	1
35	60210A	. Screw - Special	2
36	102742	. Roller - Needle	24
37		. Connecting Rod (Order Connecting Rod Assy #47782A)	1
38	50756A	Crankshaft	1
	53528A	Cylinder - Crankcase Assy	1
39	104128	. Seal - Oil	1
40	104129	. Bearing - Needle	1
41	18556A	. Retainer - Nut	6
42	101143	. Nut - Hex 1/4-20	6
43	28053	. Retainer - Nut	2
44	101326	. Nut - Hex 10-24	2
45	110034	. Insert - Taplok	2
46	110179	. Plug - Expansion	3
47		. Crankcase. (Order Crankcase Assy #53528A)	1

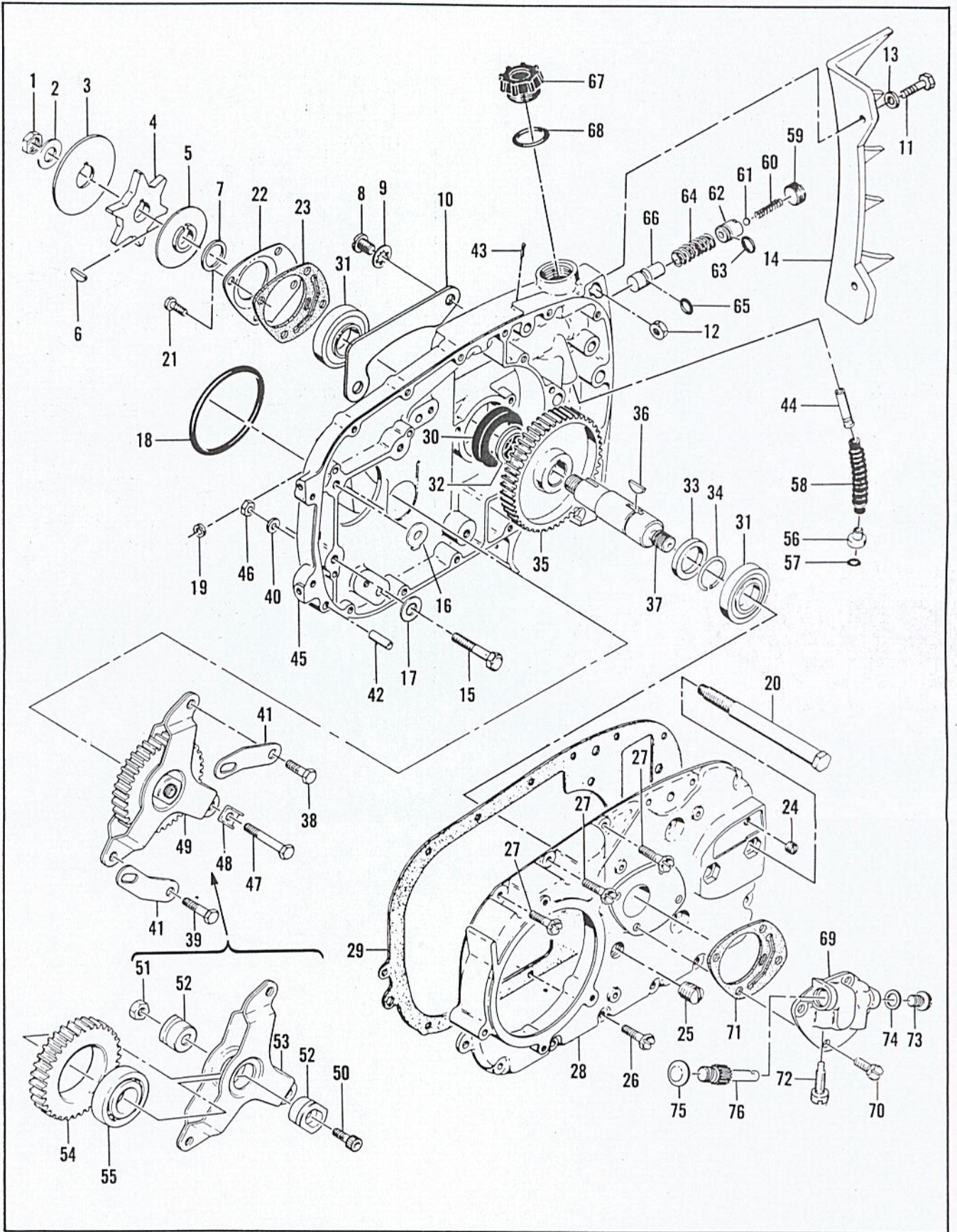


Figure 6. Transmission Assembly

FIGURE 6. TRANSMISSION ASSEMBLY

Index No.	Part Number	Nomenclature	Units Per Assy	Usable On Code
CODE				
"A" indicates parts used on 3:1 Transmission P/N 60464				
"B" indicates parts used on 2:1 Transmission P/N 60633				
1	60972	Nut - Special	1	A, B
2	100593	Washer - 7/16 in.	1	A, B
3	51627	Plate - Chain guide	1	A, B
4	36644A	Sprocket - 7 tooth, 1/2 in. pitch	1	A, B
	36020B	Sprocket - 6 tooth, 1/2 in. pitch	1	A, B
	52069A	Sprocket - 7 tooth, 0.404 in. pitch	alternate	A, B
	36790A	Sprocket - 6 tooth, 9/16 in. pitch	alternate	A, B
	36791A	Sprocket - 7 tooth, 9/16 in. pitch	alternate	A, B
5	36019A	Shroud - Sprocket	1	A, B
6	100256	Key - Woodruff #6	1	A, B
7	55737	Spacer - Sprocket	1	A, B
8	102415	Screw - Pan hd 10-24 x 3/8 in. lg	2	A, B
	101194	Lockwasher	2	A, B
10	61224	Cover - Pushrod	1	A, B
	61783	Kit - Spike	2	A, B
11	100882	. Screw - Hex hd 1/4-20 x 3/4 in. lg	2	A, B
12	101143	. Nut - Hex 1/4-20	2	A, B
13	100053	. Washer - Plain 1/4 in.	2	A, B
14		. Spike (Order Spike Kit #61783)	1	A, B
15	102128	Screw - Hex hd 1/4-20 x 1-1/4 in. lg	3	A, B
16	36306	Plate - Lock	1	A, B
17	100004	Washer - Plain 1/4 in.	3	A, B
18	104535	"O" Ring	1	A, B
19	55449A	Washer - Oiler rod felt	1	A, B
	60464	Transmission Assy 3-1	1	A
	60633	Transmission Assy 2-1	1	B
20	51631A	. Bolt - Bar mounting	2	A, B
21	104835	. Screw - Pan hd 10-24 x 1/2 in. lg	4	A, B
22	60408	. Retainer - Bearing	1	A, B
23	60409	. Gasket - Retainer	1	A, B
24	104869	. Plug - Pipe 1/16-27	1	A, B
25	104218	. Plug - Pipe 3/8-18	1	A, B
26	103464	. Screw - Hex hd 10-24 x 3/4 in. lg (SEMS)	11	A, B
27	103947	. Screw - Hex hd 10-24 x 1 in. lg (SEMS)	3	A, B
28	58779	. Cover - Gearcase	1	A, B
29	55913C	. Gasket - Gearcase cover	1	A, B
30	104298	. Seal - Oil	1	A, B
31	101039	. Bearing	2	A, B
32	55715	. Spacer - Gear	1	A, B
33	60407	. Spacer - Gear	1	A, B
	60419	. Shaft and Sprocket Gear Assy	1	A
	60420	. Shaft and Sprocket Gear Assy	1	B
34	104451	. Ring - Retaining	1	A, B
35	55925	. Gear - Sprocket drive	1	A
	57999	. Gear - Sprocket drive	1	B
36	55953	. Key - Sprocket gear	1	A, B
37	60470	. Shaft - Sprocket	1	A, B
	60461	. Gearcase Assy	1	A, B
38	102504	. Screw - Hex hd 1/4-28 x 3/4 in. lg	1	A, B
39	102901	. Screw - Hex hd 1/4-28 x 1 in. lg	1	A, B
40	30351884	. Washer - Plain 1/4 in.	2	A, B
41	60186	. Strap - Idler yoke	2	A, B
42	100993	. Pin - Dowel	1	A, B
43	100010	. Pin - Cotter	1	A, B
44	60389	. Valve Assy - Check	1	A, B
45		. Gearcase (Order Gearcase Assy #60461)	1	A, B
46	100640	. Nut - Hex 1/4-28	2	A, B

This list is continued on page 15

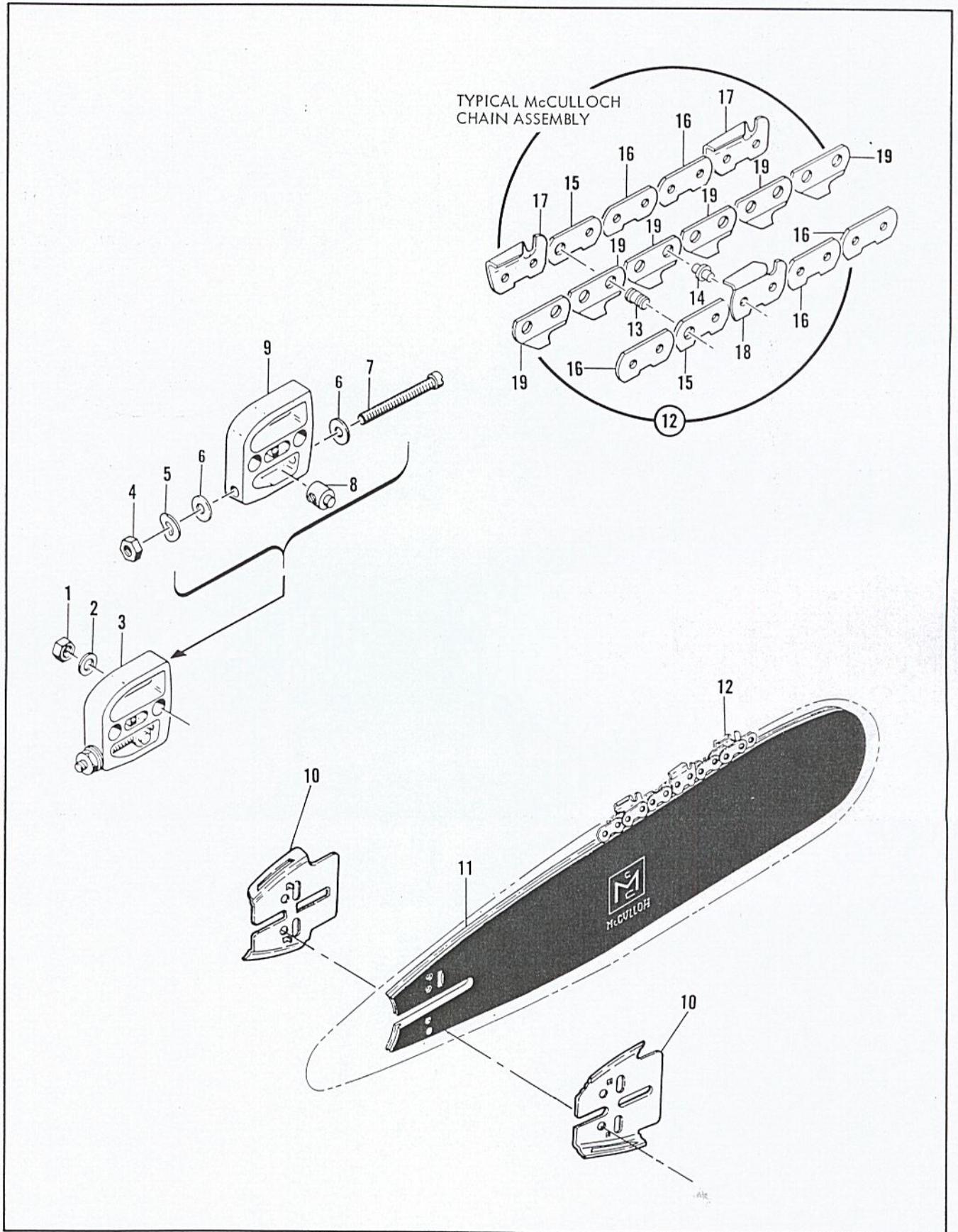


Figure 7. Lockplate Adjusting Assembly, Bar and Chain

FIGURE 6. TRANSMISSION ASSEMBLY (CONT)

Index No.	Part Number	Nomenclature	Units Per Assy	Usable On Code
47	104351	Screw - Hex hd 1/4-28 x 1-13/32 in. lg	1	A, B
48	55539	Lockplate - Yoke	1	A, B
49	55928A	Gear and Yoke Assy	1	A
	55722	Gear and Yoke Assy	1	B
50	100201	Screw - Socket hd 1/4-28 x 1/2 in. lg	1	A, B
51	100640	Locknut - Hex 1/4-28	1	A, B
52	57493	Hub - Bearing	1	A, B
53	53842	Yoke Assy.	1	A
	53820	Yoke Assy.	1	B
54	53264	Gear - Idler	1	A
	55728	Gear - Idler	1	B
55	100824	Bearing - Ball	1	A, B
56	51505	Weight Assy	1	A, B
57	51506	Screen - Pickup	1	A, B
58	28007	Hose - Pickup	1	A, B
59	51755	Plug - Oiler valve	1	A, B
60	51944	Spring	1	A, B
61	100549	Ball - Steel 0.188 in. dia	1	A, B
	60622A	Body Assy - Oiler	1	A, B
62	57721B	Body - Oiler	1	A, B
63	101056	"O" Ring	1	A, B
64	19236	Spring - Oiler	1	A, B
	51472	Piston Assy - Oiler	1	A, B
65	101056	"O" Ring	1	A, B
66	36126	Piston - Oiler	1	A, B
67	57129A	Cap - Filler	1	A, B
68	101148	"O" Ring	1	A, B
69	60914C	Pump and Gasket Assy - Oiler 3-1	1	A
	60466C	Pump and Gasket Assy - Oiler 2-1	1	B
70	110172	Screw - Special	4	A, B
71	60409	Gasket - Oiler pump	1	A, B
72	61398	Screw - Special	1	A, B
73	60959	Plug - Special	1	A, B
74	60964	Shim - 0.015 in.	1	A, B
75	104791	Plug - Expansion 5/8 in.	1	A, B
76	60958A	Plunger - Oiler pump 3-1	1	A
	61810	Plunger - Oiler pump 2-1	1	B

FIGURE 7. LOCKPLATE ADJUSTING ASSEMBLY, BAR AND CHAIN

Index No.	Part Number	Nomenclature	Units Per Assy
1	103729	Nut - Hex 3/8-24	2
2	100393	Washer - Plain 3/8 in.	2
3	52211D	Lockplate Adjusting Assy	1
4	100640	Nut - Hex 1/4-28	1
5	102813	Washer - Spring	1
6	102843	Washer - Plain 1/4 in.	1
7	103919	Screw - Fil hd 1/4 - 20 x 2-1/2 in. lg	1
8	52207C	Nut - Adjusting	1
9	52206B	Lockplate	1
10	51632B	Plate - Protector	2
11		McCulloch Bar	1
12		Typical McCulloch Chain Assy	1
13		Master Pin	
14		Shoulder Rivet	
15		Master Link	
16		Side Link	
17		Cutter - L. H.	
18		Cutter - R. H.	
19		Center Link	

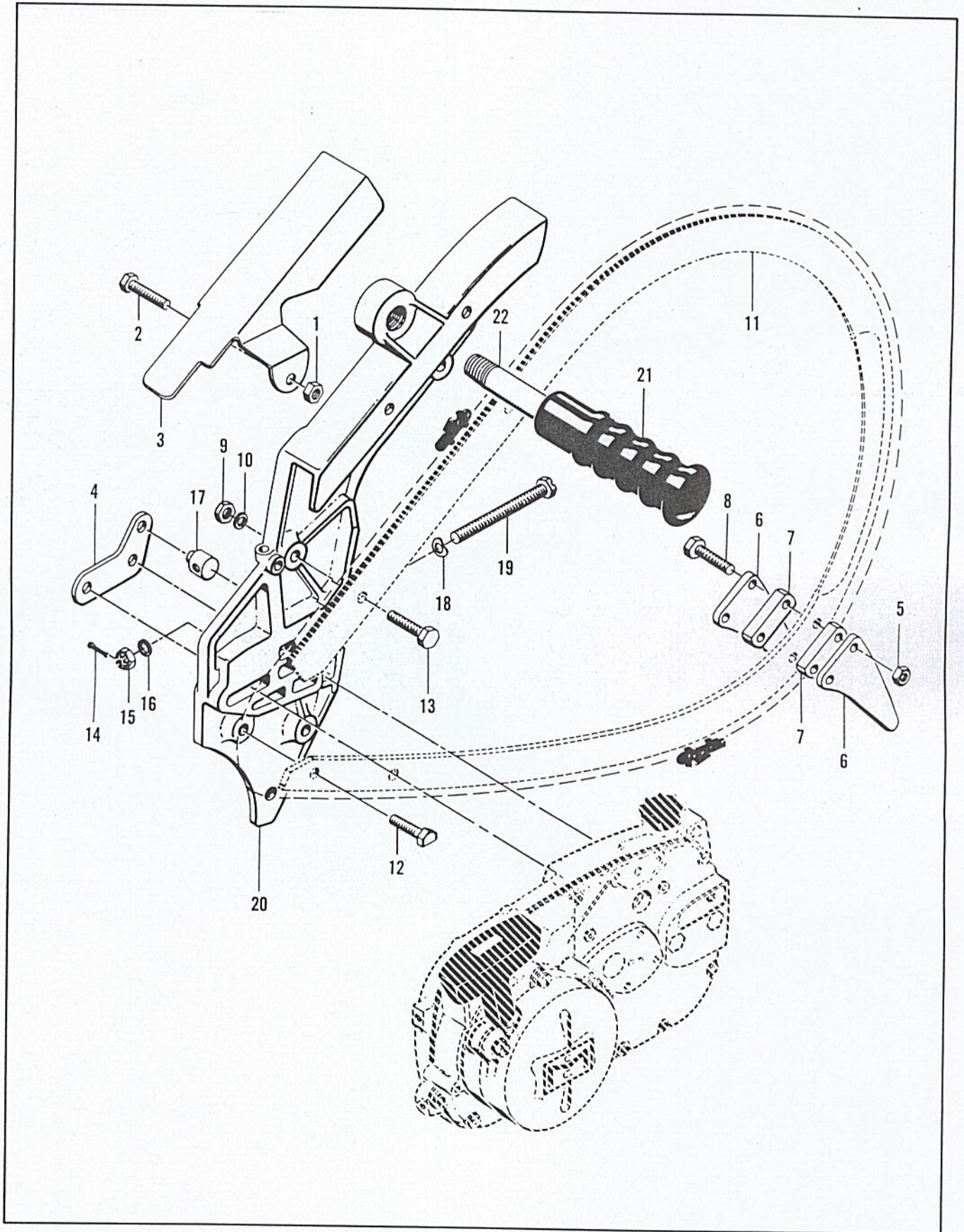


Figure 8. Plunge Bow Saw Assembly

FIGURE 8. PLUNGE BOW SAW ASSEMBLY

Index No.	Part Number	Nomenclature	Units Per Assy
	55152	Plunge Bow Saw Assy (less track)	1
1	*101143	. Nut - Hex 1/4-20	1
2	*102128	. Screw - Hex hd 1/4-20 x 1-1/4 in. lg	1
3	*57494A	. Guard - Chain (bow saw)	1
4	*51674	. Plate - Adjusting	1
5	*101143	. Nut - Hex 1/4-20	2
6	*28256	. Spike	2
7	*28259A	. Spacer	2
8	*102130	. Bolt - Hex hd 1/4-20 x 1-1/2 in. lg	2
9	*101143	. Nut - Hex 1/4-20	4
10	*100004	. Washer - Plain 1/4 in.	4
11		. Track (available through dealers)	1
12	*51955	. Bolt - Special 1/4-20 x 1 in. lg	1
13	*101982	. Bolt - Hex hd 1/4-20 x 1 in. lg	3
14	101495	. Pin - Cotter 0.09 in. dia x 1/2 in. lg	1
15	102022	. Nut - Castle 5/16 - 24.	1
16	100007	. Washer - Plain 5/16 in.	1
17	19708	. Nut - Adjusting	1
18	24260	. Spring - Thrust	1
19	102193	. Screw - Adjusting	1
20	51672	. Body Assy.	1
	19502	Auxiliary Handle Assy	1
21	18207A	. Grip - Handle	1
22	19476	. Auxiliary Handle	1

*Contained in loose parts package.

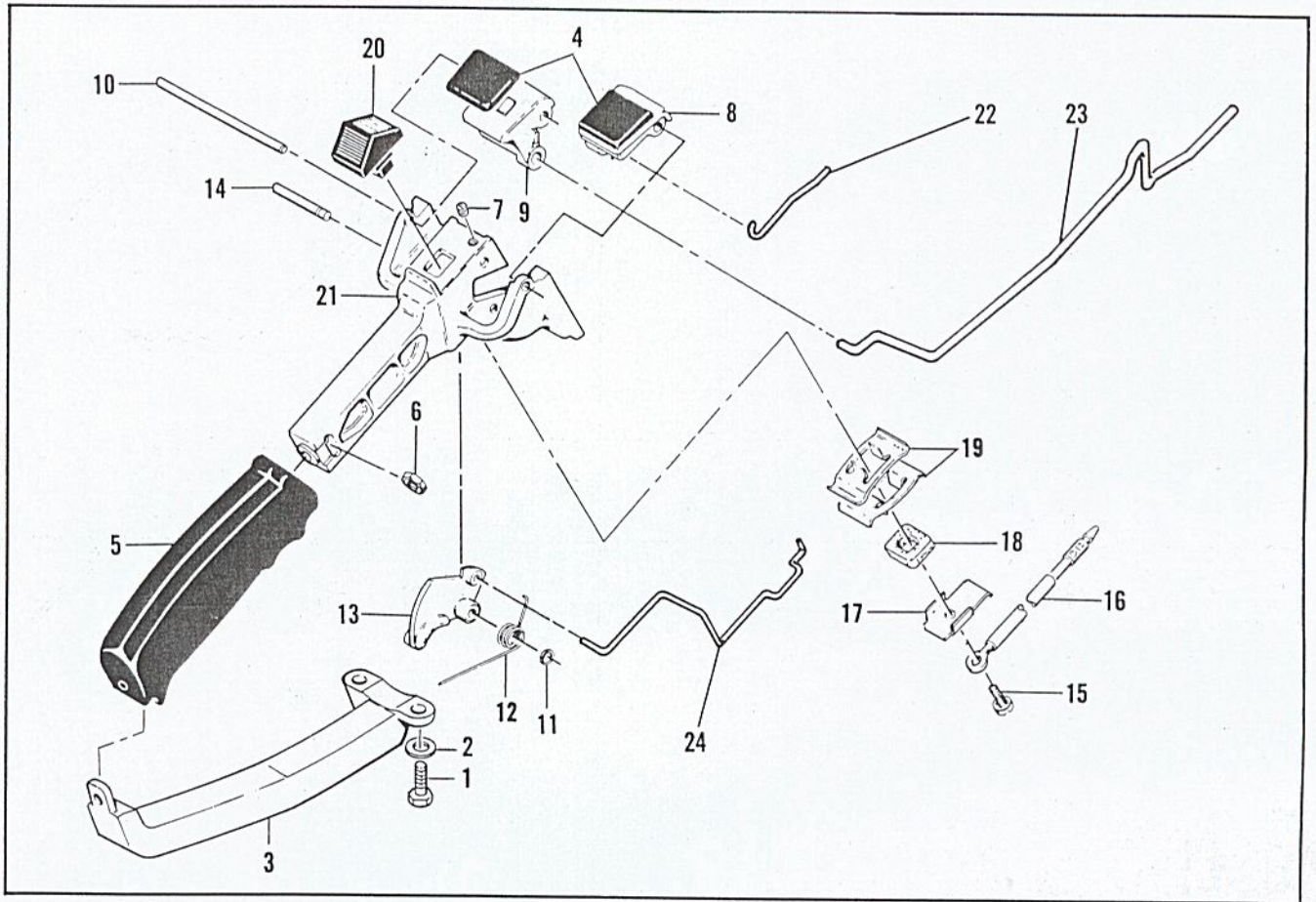


Figure 9. Handle and Control Assembly

FIGURE 9. HANDLE AND CONTROL ASSEMBLY

Index No.	Part Number	Nomenclature	Units Per Assy
1	102121	Screw - Hex hd 1/4-20 x 7/8 in. lg	2
2	100005	Washer - Plain 1/4 in.	2
3	60744	Brace - Handle	1
4	55670	Grommet - Control button	2
	53245	Handle and Control Assy	1
5	55624A	Grip - Handle	1
6	101326	Nut - Hex 10-24	1
7	104484	Screw - Set 8-32 x 1/4 in. lg	1
8	55968A	Button - Primer	1
9	55969A	Button - Oiler	1
10	51344A	Shaft - Oiler and primer	1
11	104501	Retainer - Trigger pin	1
12	55674	Spring - Trigger return	1
13	55616	Trigger	1
14	50507	Pin - Trigger	1
15	110055	Screw - 8-32 x 3/8 in. lg (SEMS)	1
16	51492A	Wire Assy - Primary	1
17	51279	Contact - Switch	1
18	51555	Insulator - Switch	1
19	51554A	Detent - Switch	2
20	57718	Button - Switch	1
21	55986	Handle	1
22	53583A	Pushrod - Primer	1
23	57719	Pushrod - Oiler	1
24	61751A	Pushrod - Throttle	1

TOOLS AND ACCESSORIES

Index No.	Part Number	Nomenclature	Units Per Assy
	*51445A	Wrench and Screwdriver Combination	
	*14168A	Wrench - Spark plug	
	*61442	Owner's Manual	
	*56625B	Chain Maintenance Manual	

*Items furnished with each saw

OVERSIZE PISTON ASSEMBLIES

Index No.	Part Number	Nomenclature	Units Per Assy
	*53942A	Piston Assy - 0.010 in. oversize	
	55124	. Ring Set - 0.010 in. oversize	
	*53943A	Piston Assy - 0.020 in. oversize	
	55125	. Ring Set - 0.020 in. oversize	
	*53944A	Piston Assy - 0.030 in. oversize	
	55126	. Ring Set - 0.030 in. oversize	

*Piston Assys include ring sets and bearings.