

Chain Saw

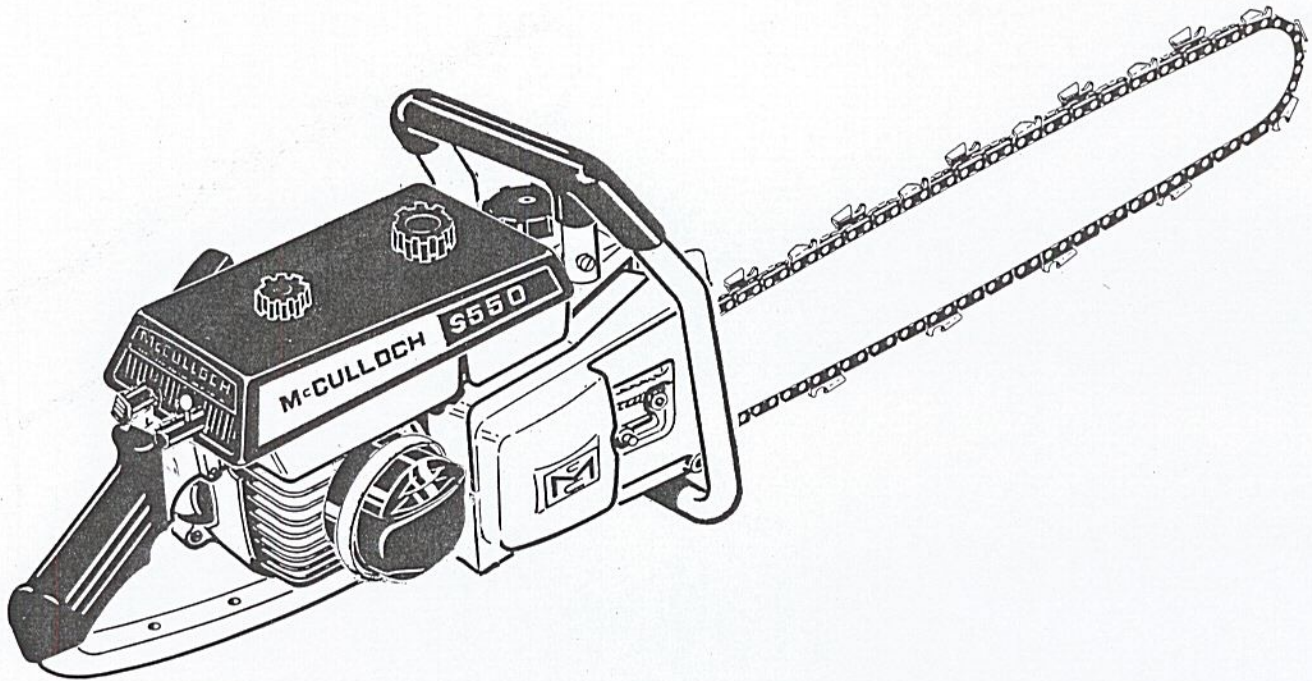
SUPER 550

Model No. 600110

Serial Nos. Prefixed 13- & A12-

ILLUSTRATED PARTS LIST

JUNE 1970



The policy of McCulloch Corporation is one of continual improvement in design, manufacturing and engineering advancement wherever possible to assure still finer two-cycle power tools. Hence, specifications, equipment, colors, design and manufacturer's suggested list prices are subject to change without notice and McCulloch Corporation reserves the right to make such changes without prior notification or obligation to backfit or supply backfit components for units previously shipped from the factory.

	Page
Figure 1. Engine Exploded View - General	2
Figure 2. Starter and Crankcase Cover Assemblies	4
Figure 3. Oiler Tank and Fuel Tank Assemblies	6
Figure 4. Cover and Airbox Assemblies	8
Figure 5. Carburetor Assembly	10
Figure 6. Powerhead Assembly	12
Figure 7. Clutch Guard - Bar and Chain Assembly	14



Copyright 1970 U.S.A.
McCulloch Corporation

84282

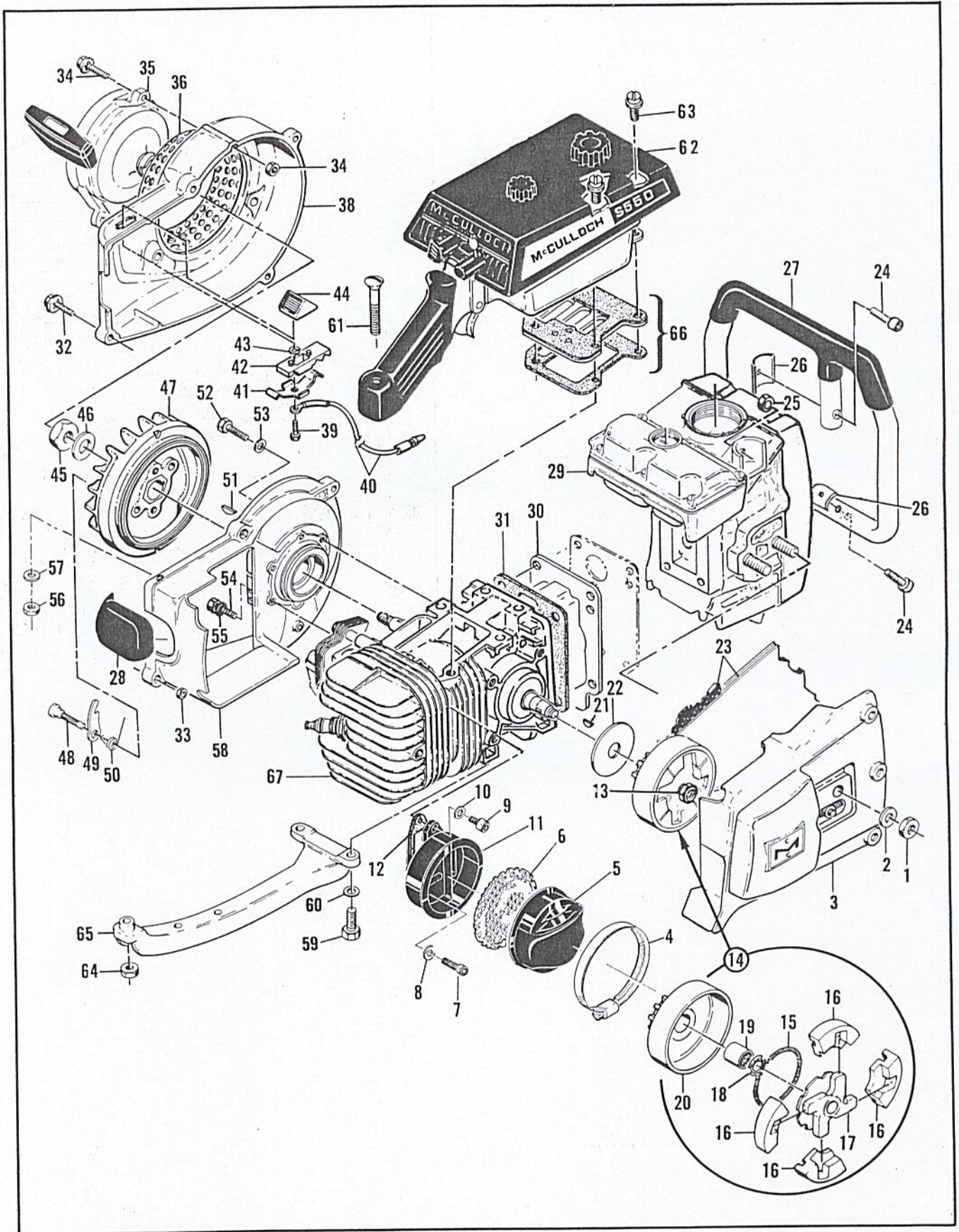


Figure 1. Engine Exploded View - General

FIGURE 1. ENGINE EXPLODED VIEW—GENERAL.

Item No.	Part Number	Description	Units Per Assy
1	110625	Nut - Hex 3/8-24	2
2	100006	Washer - 3/8	2
3		Clutch Guard Assy (See Figure 7)	
	68240	Kit - Spark arrester	1
4	83368	. Clamp Assy	1
5	68238	. Top Assy	1
6	69325	. Baffle	1
7	101563	. Screw - Skt hd 10-24 x 1-1/4	1
8	83745	. Washer - Special	1
9	104895	. Screw - Skt hd 10-24 x 5/8	2
10	83745	. Washer - Special	2
11	68241	. Bottom Assy	1
12	83379	Gasket - Spark arrester	1
13	110625	Nut - Hex 3/8-24	1
14		Clutch, Sprocket, Drum & Bearing Assy	1
	60315	Clutch Assy	1
15	51468A	. Spring - Clutch	1
16	51464A	. Shoe - Clutch	4
17	60316	. Rotor Assy - Clutch	1
18	103718	Spring - Thrust	1
	51774B	Sprocket, Drum & Bearing Assy	1
19	103688	. Bearing - Needle	1
20	51775B	. Sprocket & Drum Assy	1
21	103879	Key - Woodruff	1
22	51420	Washer - Sprocket	1
23		Bar & Chain Assy (See Figure 7)	
24	105187	Screw - Skt hd 1/4-20 x 1-1/8	3
25	101143	Nut - Hex 1/4-20	3
26	83233	Spacer - Frame	3
27	83429	Frame & Grip Assy	1
28	57565	Cover Assy - Spark plug	1
29		Oiler Tank & Fuel Tank Assys (See Figure 3)	
30	60251A	Cover - Crankcase bottom	1
31	65654	Gasket - Bottom	1
32	104815	Screw - Hex hd 10-24 x 7/8 (SEMS)	7

Item No.	Part Number	Description	Units Per Assy
33	101326	Nut - Hex 10-24	3
34	101191	Nut - Hex 10-24	3
35		Starter Assy (See Figure 2)	
36	50581A	Guard - Sawdust	1
37		Delete	
38	53488	Fan Housing Assy	1
39	103672	. Screw - Hex hd 8-32 x 1/2	1
40	53490	. Wire Assy - Stop switch	1
41	59592	. Contact - Switch	1
42	59591	. Base - Switch	1
43	100057	. Lockwasher - #8	1
44	57718	. Button - Switch	1
45	101179	Nut - Hex 7/16-20	1
46	101270	Washer - 7/16	1
47	68282	Flywheel & Pawl Assy	1
48	36144B	. Pin - Starter pawl	2
49	24093	. Pawl - Starter	2
50	66351	. Spring - Pawl	2
51	103879	Key - Woodruff	1
52	102289	Screw - Hex hd 10-24 x 3/4	4
53	102189	Washer - #10	3
54	55494	Screw Assy - Sealing	2
55	55492	. Washer - Sealing	2
56	101326	Nut - Hex 10-24	1
57	105048	Washer - #10	1
58		Crankcase Cover Assy (See Figure 2)	
59	100882	Screw - Hex hd 1/4-20 x 3/4	2
60	100004	Washer - 1/4	2
61	104435	Screw - Oval hd 10-24 x 1-3/4	1
62		Cover & Airbox Assy (See Figure 4)	
63	110127	Screw - Hex hd 10-24 x 7/8 (SEMS)	4
64	101191	Nut - Hex 10-24	1
65	65332	Brace - Handle	1
66		Reed Plate Assy (See Figure 4)	
67		Powerhead Assy (See Figure 6)	

SERVICE SPECIFICATIONS

Spark Plug Gap	-----	0.025 in.
Lamination Gap	-----	0.010 to 0.015 in.
Breaker Point Gap	-----	0.018 in.
Carburetor Adjustment		
Idle Needle	- Preliminary adjustment 1 turn open.	
	Adjust for smooth idle and acceleration.	
Main Needle	- Preliminary adjustment 1 turn open.	
	Adjust for maximum power under load.	
Torque Values		
Flywheel Nut	-----	350 to 400 inch-pounds.
Clutch Nut	-----	240 to 300 inch-pounds.
Connecting Rod Screws	-----	105 to 110 inch-pounds.

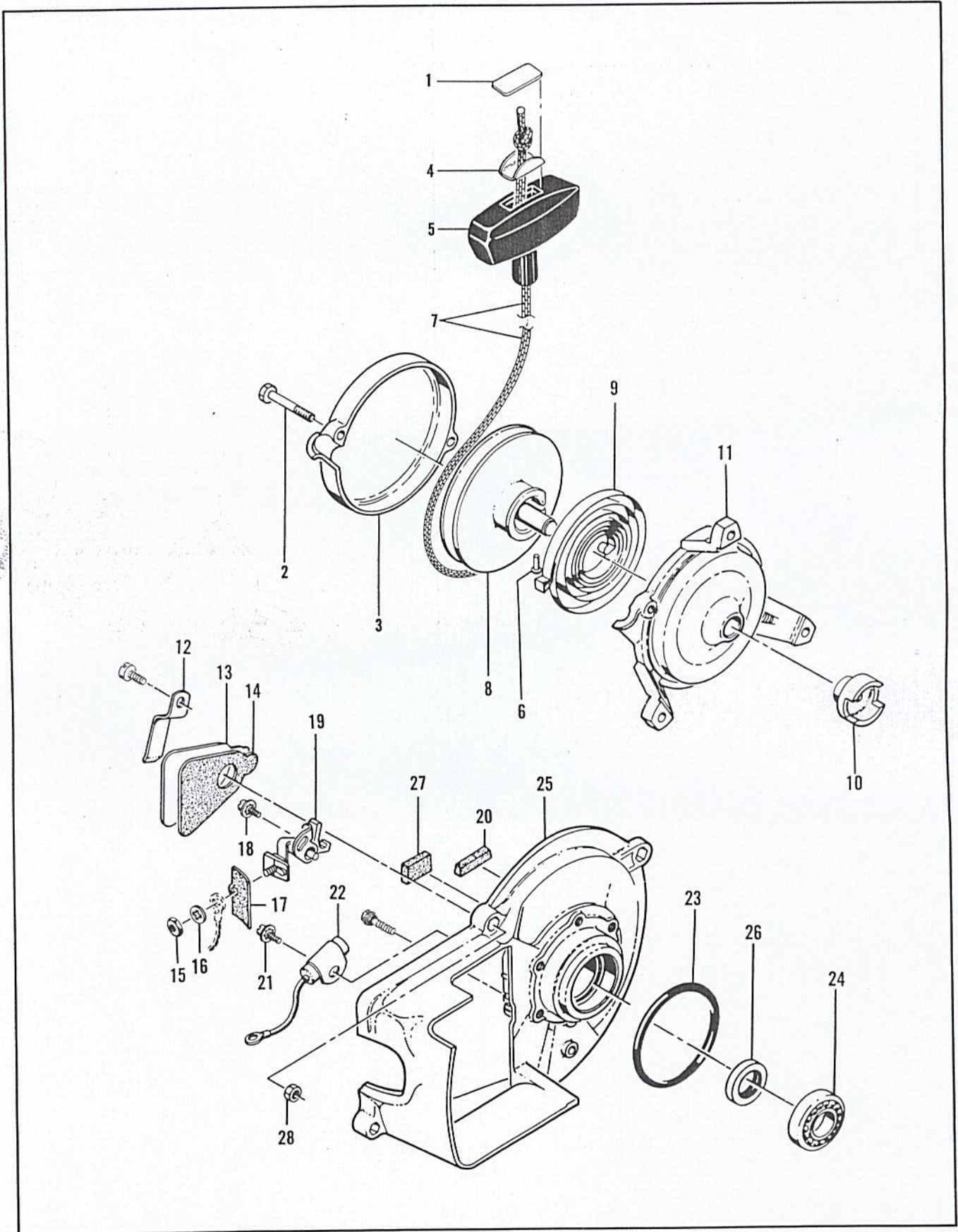


Figure 2. Starter and Crankcase Assemblies

FIGURE 2. STARTER AND CRANKCASE COVER ASSEMBLIES.

Item No.	Part Number	Description	Units Per Assy
	84211	Starter Assy	1
1	57232	. Plate - Starter handle	1
2	104396	. Screw - Pan hd 10-24 x 3/4	2
3	60647	. Cover - Starter	1
4	57231	. Cup - Starter handle	1
5	57230	. Handle - Starter	1
6	101136	. Rivet	1
7	28716	. Rope - Starter	1
8	84185	. Drum - Starter	1
9	51665	. Spring - Rewind	1
10	57790	. Ratchet - Starter	1
11	84212	. Base - Starter	1
12	50671	Retainer - Breaker box cover	1
13	50588A	Cover - Breaker box	1

Item No	Part Number	Description	Units Per Assy
14	65584	Gasket - Breaker box	1
15	100251	Nut - Hex 8-32	1
16	100057	Lockwasher - #8	1
17	50381A	Insulator - Breaker terminal	1
18	103672	Screw - 8-32 x 1/2 (SEMS)	1
19	50076A	Breaker Assy	1
20	50664	Felt - Breaker box	1
21	103672	Screw - 8-32 x 1/2 (SEMS)	1
22	50074	Condenser	1
23	104523	"O" Ring	1
24	100824	Bearing - Ball	1
25	57126A	Crankcase Cover Assy	1
26	50663	. Seal - Oil	1
27	54184	. Wiper - Felt	1
28	101326	. Nut - Hex 10-24	2

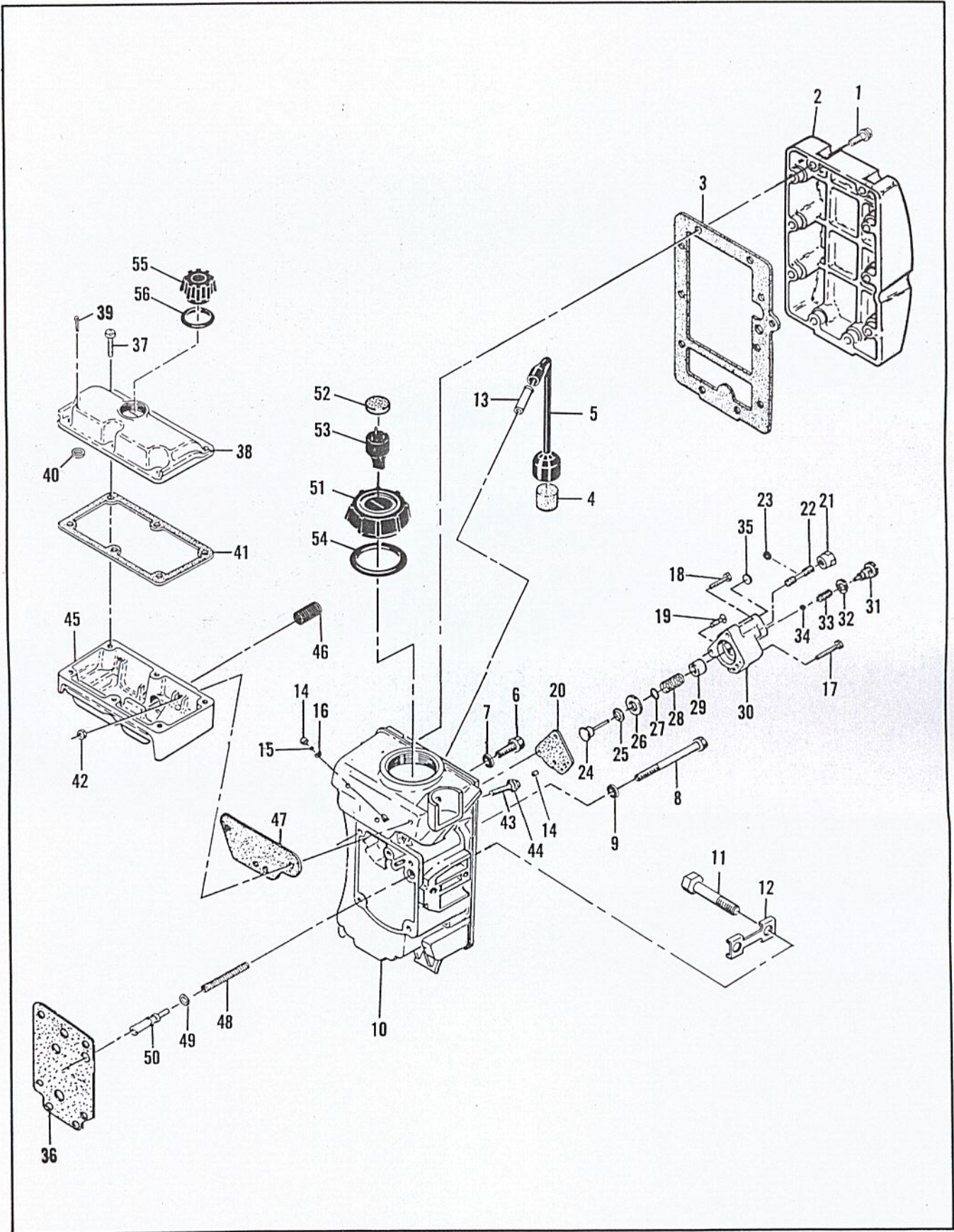


Figure 3. Oiler Tank and Fuel Tank Assemblies

FIGURE 3. OILER TANK AND FUEL TANK ASSEMBLIES

Item No.	Part Number	Description	Units Per Assy
1	104396	Screw - Pan hd 10-24 x 3/4	10
2	68988	Cover - Fuel tank	1
3	65580	Gasket - Fuel tank cover	1
4	50124A	Filter - Fuel	1
5	50082	Hose - Flex	1
6	57840	Screw Assy - Sealing	3
7	50261	. Washer - Sealing 1/4	3
8	50523	Screw - Sealing	1
9	50261	Washer - Sealing 1/4	1
10	62154A	Fuel Tank Assy	1
11	61437	. Bolt - Bar mounting	2
12	51439	. Lockplate	1
13	28042	. Tube - Fuel hose	1
14	62216	. Seat - Ball	2
15	100071	. Ball	1
16	110327	. Ring - Retaining	1
17	110257	Screw - Hex hd 10-24 x 1-3/4 (SEMS)	1
18	110127	Screw - Hex hd 10-24 x 7/8 (SEMS)	1
19	110245	Screw - Flat hd 10-24 x 3/4	1
20	65673	Gasket - Pulse pump	1
	83135	Pulse Pump Assy	1
21	60976	. Locknut - 10-24	1
22	67929	. Screw - Set 10-24 x 1-1/4	1
23	104001	. "O" Ring	1
24	60260A	. Piston Assy - Pulse pump	1
25	60937	. Washer - Teflon	1
26	60263	. Ring - Pulse pump	1
27	104001	. "O" Ring	1

Item No.	Part Number	Description	Units Per Assy
28	60259	. Spring - Piston	1
29	67918	. Sleeve - Piston	1
30	83132	. Body Assy - Pulse pump	1
31	60397A	. . Screw - Fil hd special	1
32	60398B	. . Washer	1
33	60396B	. . Spring - Ball check	1
34	102809	. . Ball - Steel 0.093 in. dia.	1
35	110157	. . Plug - Expansion 9/16	1
36	65669	Gasket - Fuel tank	1
37	104395	Screw - Pan hd 10-24 x 5/8	6
38	57114A	Cover - Oil tank	1
39	100010	Pin - Cotter	1
40	69352	Washer - Felt	1
41	57152	Gasket - Oil tank cover	1
42	101326	Nut - Hex 10-24	3
43	55494	Screw Assy - Sealing	3
44	55492	. Washer - Sealing	3
45	66618	Tank - Oiler	1
46	57279	Screen - Oiler	1
47	57147	Gasket - Oiler tank	1
48	68705	Spring - Oiler piston	1
49	101056	"O" Ring	1
50	83405	Piston - Oiler	1
51	55934B	Fuel Cap Assy	1
52	55063	. Filter - Fuel cap	1
53	53766A	. Valve - Fuel cap	1
54	101348	"O" Ring	1
55	57129A	Cap - Oil filler	1
56	101148	"O" Ring	1

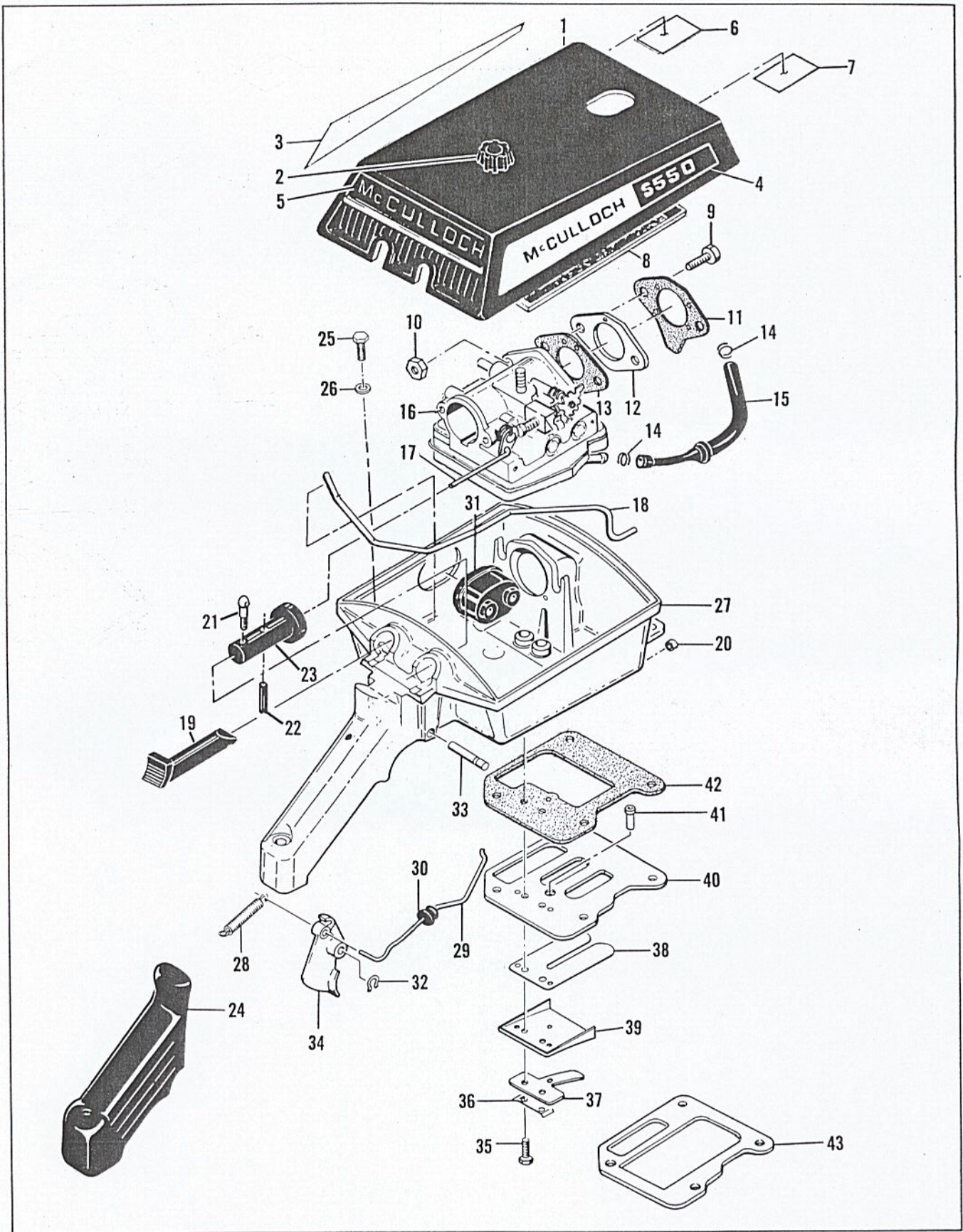


Figure 4. Cover and Airbox Assemblies

FIGURE 4. COVER AND AIRBOX ASSEMBLIES.

Item No.	Part Number	Description	Units Per Assy
1	61466	Cover Assy - Air cleaner	1
2	61458A	. Knob - Cover	1
3	84430	Nameplate - L.H.	1
4	84431	Nameplate - R.H.	1
5	66799	Trim - Air cleaner cover	1
6	83561	Label - Starting instructions	1
7	63862	Label - Fuel mix	1
8	55498	Screen - Air cleaner	1
9	60208	Screw - Special	2
10	103242	Nut - Hex 1/4-20	2
11	65583	Gasket - Adapter	1
12	53189	Adapter - Carburetor	1
13	65583	Gasket - Carburetor	1
14	50742	Clamp - Hose	2
15	67094	Hose - Fuel	1
16		Carburetor Assy (See Figure 5)	
17	57134	Pushrod - Choke	1
18	83383	Pushrod - Oiler	1
19	83397	Button - Oiler	1
20	57736	Seal - Oiler pushrod	1
21	61822	Screw - Choke button	1
22	101556	Pin - Roll	1

Item No.	Part Number	Description	Units Per Assy
23	50777B	Button - Choke	1
24	57834	Grip - Handle	1
25	102761	Screw - Hex hd 10-24 x 7/8	1
26	105048	Washer - #10	1
27	83421	Airbox Assy	1
28	36499	. Spring - Throttle	1
29	61106	. Rod - Throttle	1
30	68258	. Grommet - Throttle rod	1
31	53277	. Grommet - Carburetor controls	1
32	104501	. Retainer - Trigger pin	1
33	50507	. Pin - Trigger	1
34	50091B	. Trigger	1
35	103740	. Screw - Hex hd 8-32 x 5/8	2
36	51480	. Plate - Lock	1
37	57658A	. Clamp - Reed	1
38	48593	. Valve - Reed	1
39	66274	. Deflector - Fuel	1
40	53685C	. Plate - Reed	1
41	63067	. Tube - Reed plate	1
42	65653	. Gasket - Airbox	1
43	62834	. Insulator - Reed plate	1

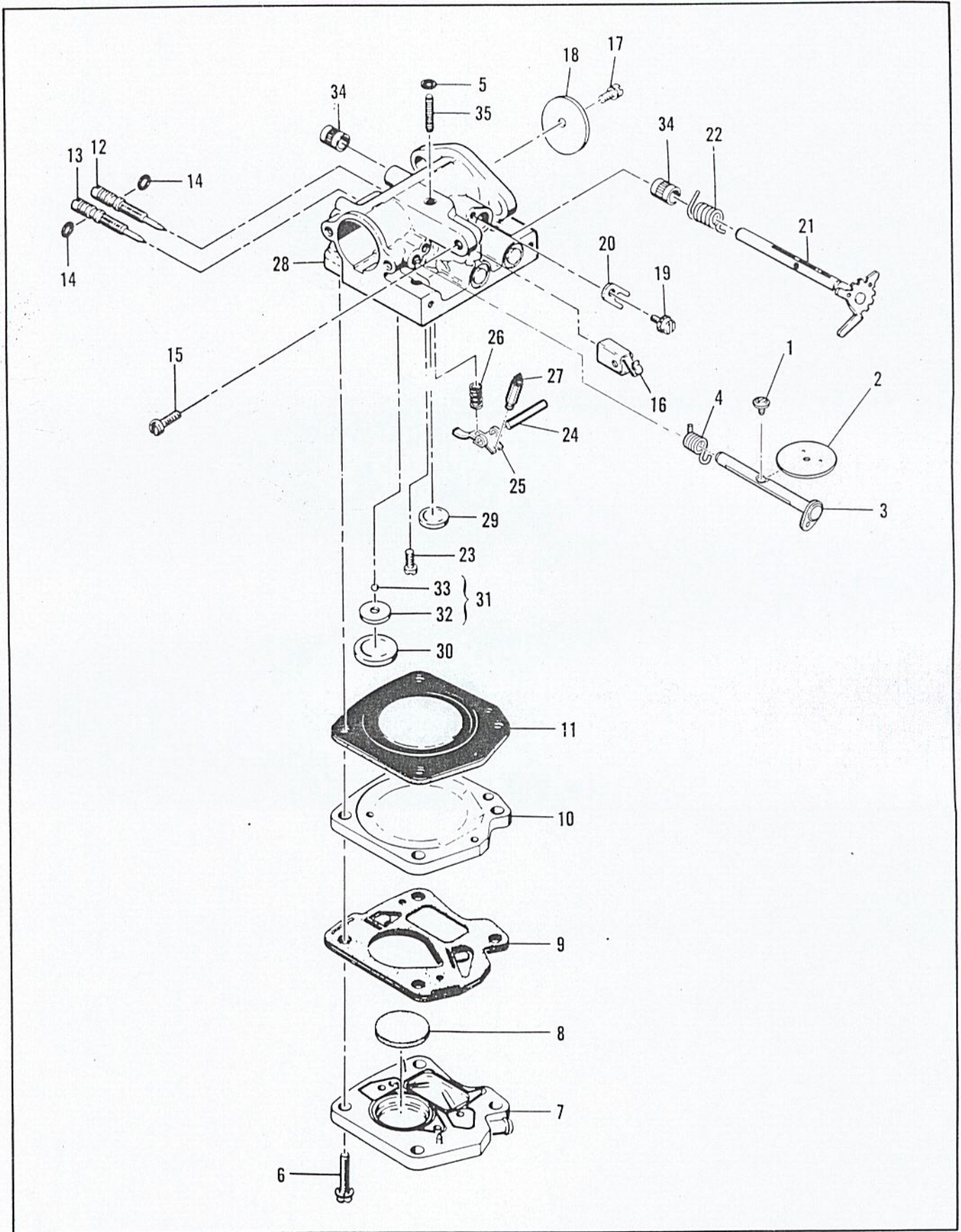


FIGURE 5. CARBURETOR

Item No.	Part Number	Description	Units Per Assy
	84050	Carburetor Assy	
1	104814	. Screw - Pan hd 4-40 x 1/4 (SEMS)	1
2	55085	. Plate - Choke	1
3	84073	. Shaft Assy - Choke	1
4	55089	. Spring - Choke return	1
5	100283	. Grommet	1
6	104520	. Screw - Pan hd 10-24 x 7/8 (SEMS)	4
7	69169	. Body - Fuel pump	1
8	48911	. Filter - Fuel	1
9	57274B	. Diaphragm Assy - Fuel pump	1
10	48901	. Plate - Diaphragm	1
11	55067C	. Diaphragm - Carburetor	1
12	53948	. Needle - Idle adjustment	1
13	53311	. Needle - Main adjustment	1
14	104001	. "O" Ring	2
15	62910	. Screw - Fil hd long locking	1
16	61108	. Guide - Throttle rod	1
17	104814	. Screw - Pan hd 4-40 x 1/4 (SEMS)	1

Item No.	Part Number	Description	Units Per Assy
18	61360	. Plate - Throttle	1
19	110055	. Screw - Fil hd 8-32 x 3/8 (SEMS)	1
20	55082	. Clip - Throttle shaft	1
21	61854A	. Shaft Assy - Throttle	1
22	61858	. Spring - Idle governor	1
23	104164	. Screw - Pan hd 4-40 x 1/4 s/t	1
24	104305	. Pin - Inlet lever	1
25	84317	. Lever - Inlet control	1
26	57172	. Spring - Inlet lever	1
27	83753	. Needle - Inlet valve	1
28	84053	. Body Assy - Carburetor	1
29	110179	. . Plug - Expansion 1/2 in.	1
30	104407	. . Plug - Expansion 1 in.	1
31	61155	. . Set - Ball & seat	1
32	61152	. . . Seat - Ball	1
33	61151	. . . Ball - Nylon 3/32 in.	1
34	55062A	. . Bushing - Body	2
35	48611	. . Stud - Air cleaner cover	1

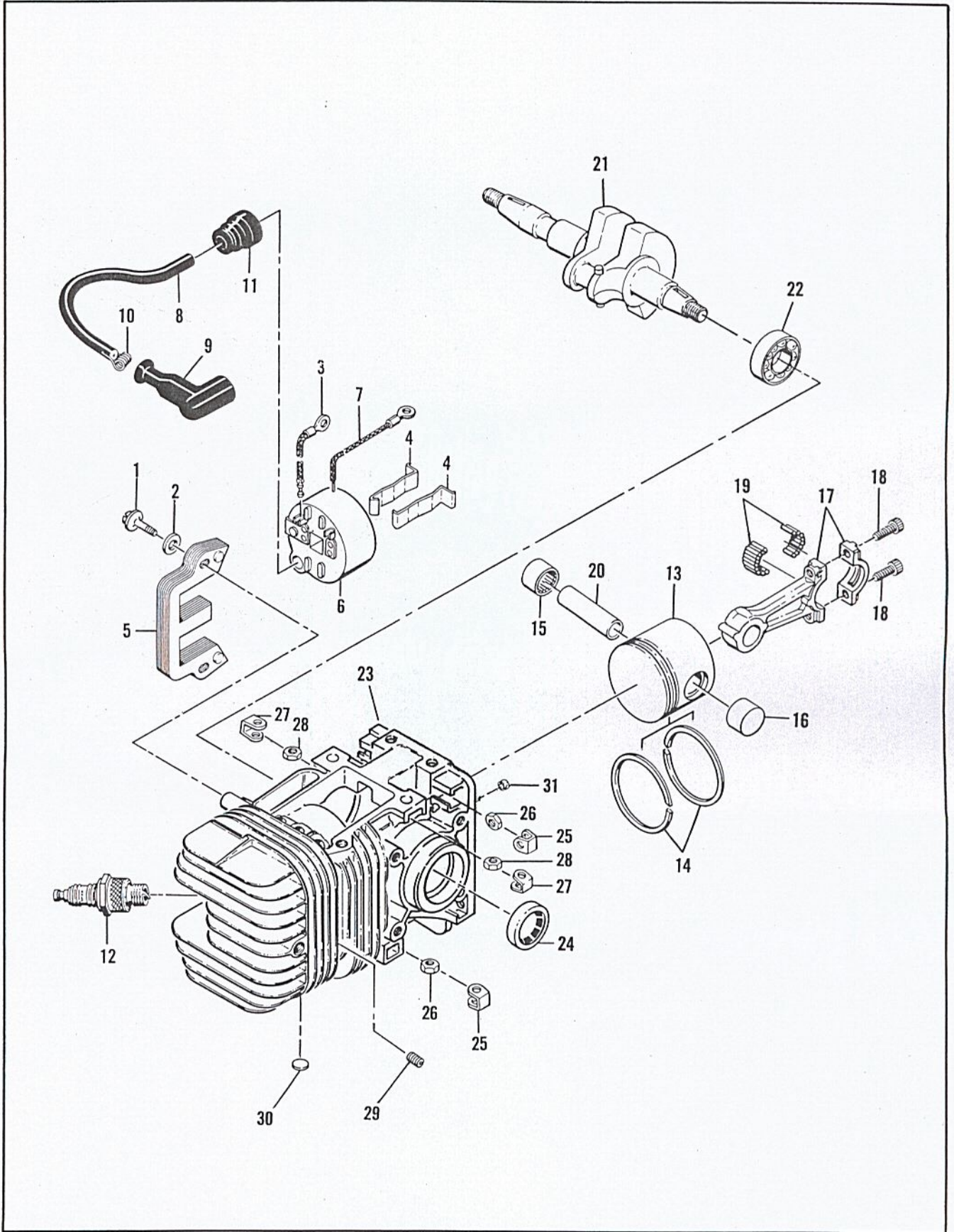


Figure 6. Powerhead Assembly

FIGURE 6. POWERHEAD ASSEMBLY.

Item No.	Part Number	Description	Units Per Assy
1	104815	Screw - Fil hd 10-24 x 7/8	2
2	100352	Washer - #10	2
3	57225	Wire Assy - Primary	1
4	51253	Retainer - Coil	2
5	51251	Lamination Assy	1
6	57643A	Coil and Terminal Kit	1
7	101883	. Wire Assy - Ground	1
8	50120	. Wire - Spark plug	1
9	55060	. Boot - Spark plug	1
10	55061	. Connector	1
11	55617	Nipple - Spark plug wire	1
12	83564	Spark Plug 14MM	1
13	62883	Piston Assy	1
14	62422	. Ring Set - Piston	1
15	104519	. Bearing	1
16	62868	. Bearing (closed end)	1

Item No.	Part Number	Description	Units Per Assy
17	47903	Connecting Rod Assy	1
18	60210A	. Screw - Socket hd 10-32 Special	2
19	69891	. Roller - Needle	24
20	69408	Pin - Piston	1
21	63440	Crankshaft	1
22	100824	Bearing - Ball	1
23	83090	Crankcase Assy	1
24	104432	. Seal - Oil	1
25	18556A	. Retainer - Nut	6
26	105394	. Nut - Hex 1/4-20	6
27	28053	. Retainer - Nut	2
28	101326	. Nut - Hex 10-24	2
29	83374	. Insert - Taplok	3
30	110340	. Plug - Expansion	3
31	57736	Seal - Pushrod	1

ACCESSORIES.

Part Number	Description
62884	Piston Assy 0.030 in. oversize
62423	. Ring Set 0.030 in. oversize
104519	. Bearing - Needle
62868	. Bearing - Needle (closed end)
61330	Kit - Spike 5 tooth
61331	Kit - Spike 4 tooth
64788	Kit - Spike 5 tooth (inboard)

Part Number	Description
69332	Kit - Spark arrester baffle
65712	Guide - Timing
61040	Wrench - Screwdriver combination
36248	Wrench - Spark plug
84381	Manual - Owner's

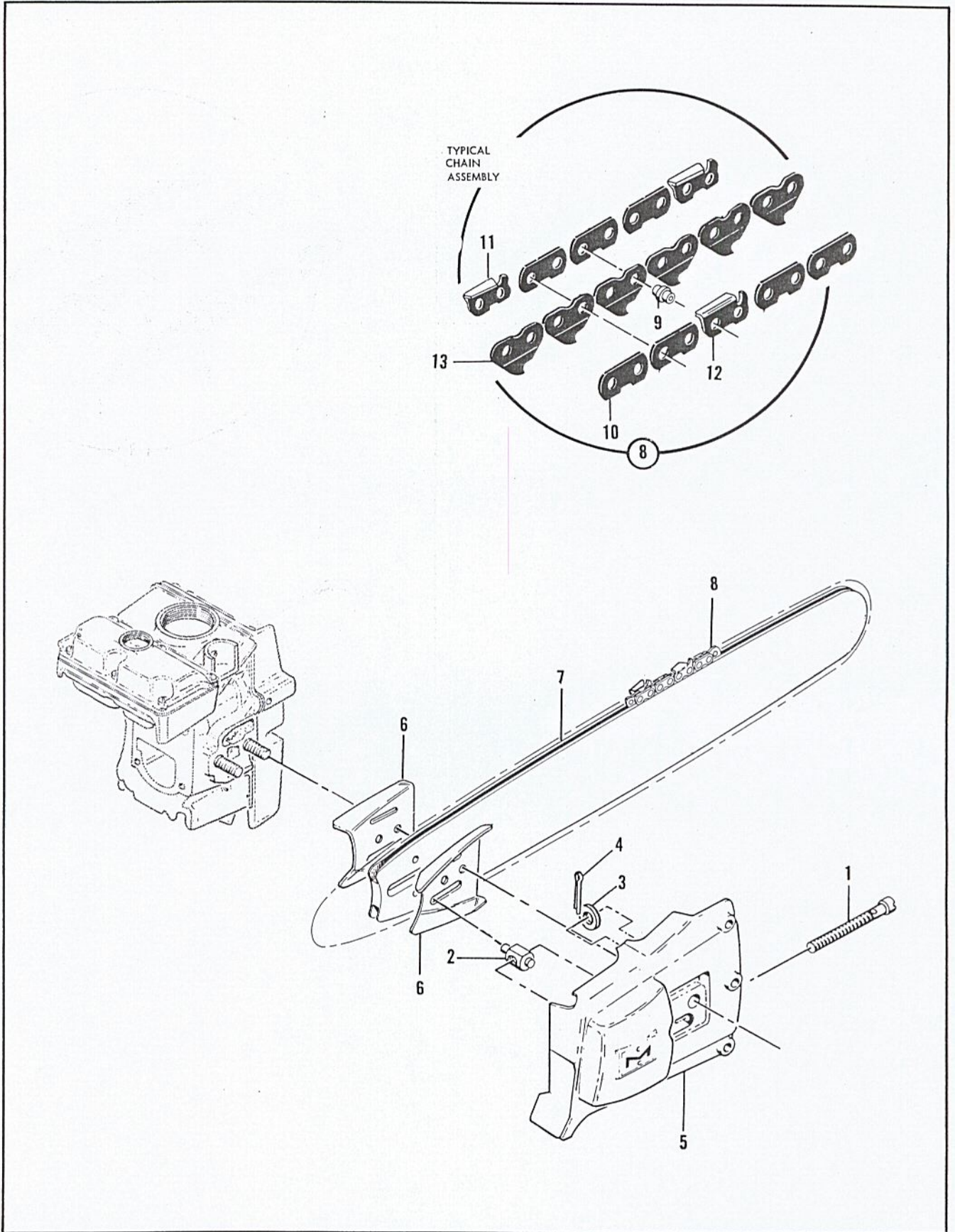


Figure 7. Clutch Guard - Bar and Chain Assemblies

FIGURE 7. CLUTCH GUARD—BAR AND CHAIN ASSEMBLIES.

Item No.	Part Number	Description	Units Per Assy
1	60133A	Guard Assy - Clutch	1
	62057	. Screw - Fil hd 1/4-28 Bar adjusting	1
2	52207C	. Nut - Bar adjusting	1
3	100004	. Washer - 1/4	1
4	105686	. Key - Cotter	1
5	60134	. Guard - Clutch	1
6	64935	Bar Plate	2

Item No.	Part Number	Description	Units Per Assy
7		Bar	1
8		Typical Chain Assy	1
9		. Rivet	1
10		. Side Link	1
11		. Cutter - Left side	1
12		. Cutter - Right side	1
13		. Center Link	1

40:1 TWO-CYCLE MOTOR OIL

Reduces smoke, carbon and engine wear.



6 oz. can #78960
6-pack #78961
16oz. can #78963
6-pack #78964
1qt. bottle #110626

CHAIN, BAR AND SPROCKET OIL

Specially designed for extra lubrication of bars and chains.



1 qt. bottle #110631
Case of 24 #110632

BAR GUARDS

Protect bar and chain from accidental damage.



A B
Black Polyvinylchloride

(A) for wide bars #56927
(B) narrow bars #64930



C D
Rigid Yellow Plastic

(C) MAC 10-16, 20" #66544
(D) PM6-12, 16" #83124

LOCQUIC AND

Primer. Cleans, degreases, and accelerates curing.

7-1/2 oz. spray can. #69794



LOCTITE

Sealant, bonding agent

10cc plastic bottle #67537

SPRAY PAINT

Black

12 oz. can #103503
Case of 12 #103400



Yellow

12 oz. can #102449
Case of 12 #102464

STARTER ROPE

Solid, braided nylon



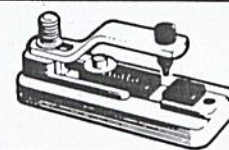
100' spool #28902

CHAIN SHARPENING TOOLS

		The ● shows which tools are used on chains				
		S-25	SM-57	S-40	S-80	S-90
<p>McCULLOCH FILES</p>	1/8" round	●				
	5/32" round	●	●			
	3/16" round		●			
	7/32" round			●		
	1/4" round				●	
	9/32" round					●
	8" flat	●	●	●	●	●
6" flat safety	●	●	●	●	●	
<p>FILE GUIDE & FILE</p>						
	#67750 (1/8" round)	●				
	#60950 (7/32" round)		●			
	(Also holds 3/16 and 1/4" round)			●		
<p>DEPTH GAUGE TOOLS</p>						
	#56241 .045-.060"			●	●	●
	#64198 .035-.060"			●	●	●
	#64359 .045-.050"			●	●	●
	#67688 .015-.020"	●		●	●	●
	#67680 .025-.030"	●		●	●	●
<p>FILE-N-JOINT Assures correct filing angle, height.</p>						
	#61034	●	●	●	●	●

"BREAK ALL" CHAIN BREAKER

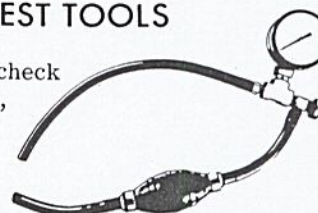
Required when repairing chain.



#61753
Instructions included.

PRESSURE TEST TOOLS

For leakage check of crankcase, fuel system.



Basic unit #62849