

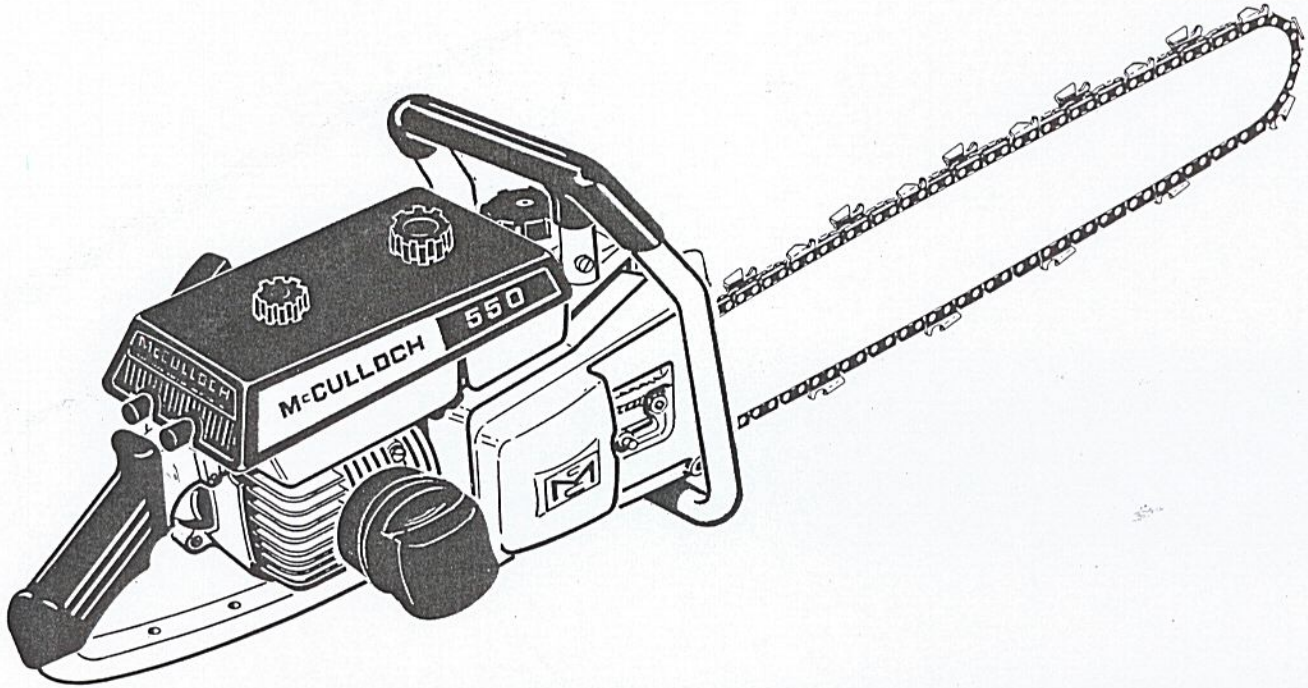
Chain Saw

MODEL 550

MODEL 600110 - SERIAL NUMBERS PREFIXED 11-

ILLUSTRATED PARTS LIST

NOVEMBER 1968



The policy of McCulloch Corporation is one of continual improvement in design, manufacturing and engineering advancement wherever possible to assure still finer two-cycle power tools. Hence, specifications, equipment, colors, design and manufacturer's suggested list prices are subject to change without notice and McCulloch Corporation reserves the right to make such changes without prior notification or obligation to backfit or supply backfit components for units previously shipped from the factory.

	Page
Figure 1. Engine Exploded View - General	2
Figure 2. Starter and Crankcase Cover Assemblies . . .	4
Figure 3. Oiler Tank and Fuel Tank Assemblies	6
Figure 4. Cover and Airbox Assemblies	8
Figure 5. Carburetor Assembly	10
Figure 6. Powerhead Assembly	12
Figure 7. Clutch Guard - Bar and Chain Assembly . . .	14



McCULLOCH

MODEL 550

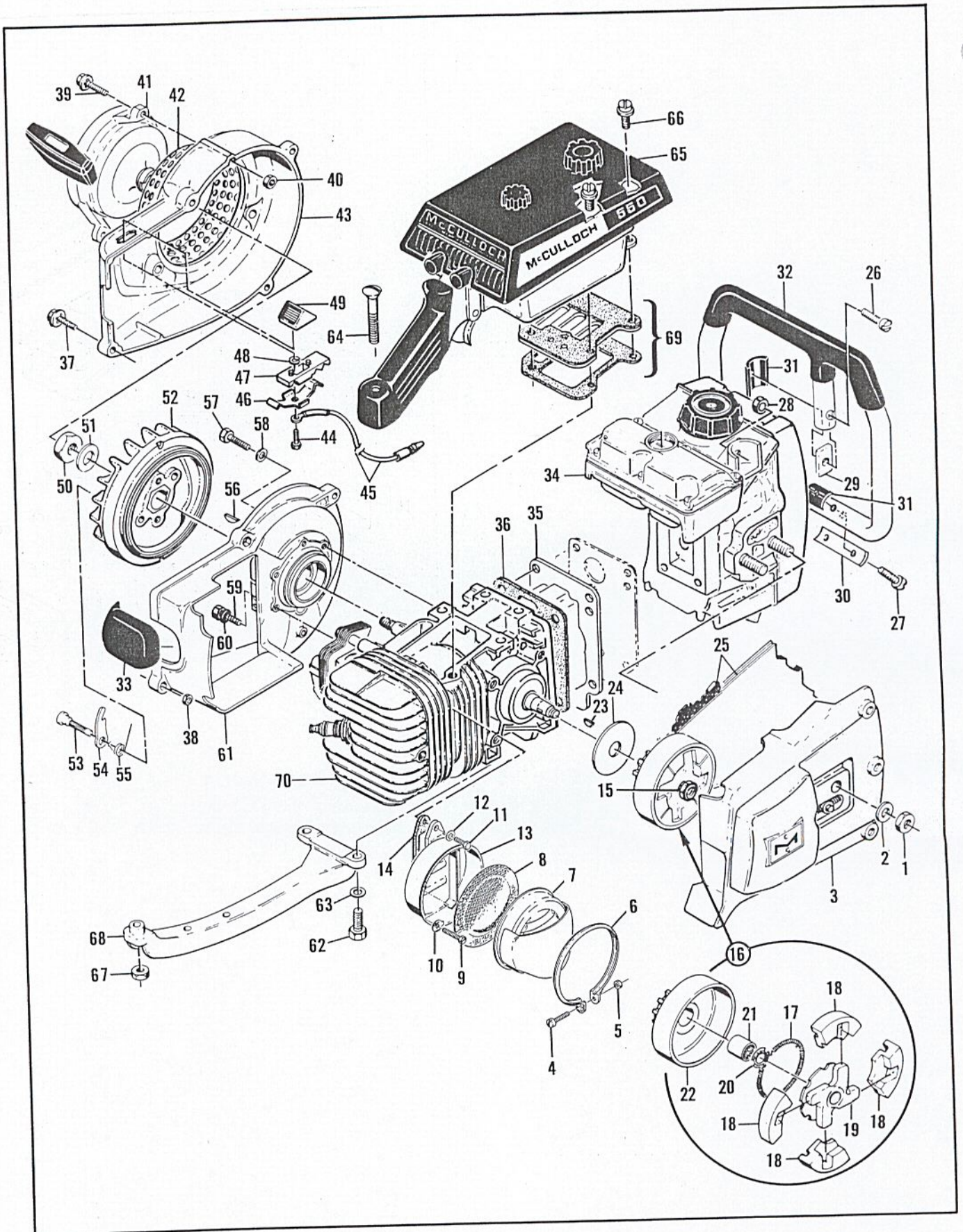


Figure 1. Engine Exploded View - General

FIGURE 1. ENGINE EXPLODED VIEW—GENERAL.

Item No.	Part Number	Description	Units Per Assy
1	103729	Nut - Hex 3/8-24	2
2	100006	Washer - 3/8	2
3		Guard Assy - Clutch (See Figure 7)	
	- 68240	Kit - Spark arrester	1
4	-105052	. Screw - Fil hd 10-24 x 3/4	1
5	-105369	. Nut - Hex 10-24	1
6	-63171	. Clamp	1
7	-68238	. Top Assy	1
8	-63172	. Baffle	1
9	-102761	. Screw - Hex hd 10-24 x 7/8	1
10	-69890	. Lockplate	1
11	102388	. Screw - Hex hd 10-24 x 5/8	2
12	103100	. Lockwasher - #10	2
13	-68241	. Bottom Assy - Spark arrester	1
14	53652	Gasket - Spark arrester	1
15	103746	Nut - Flexloc	1
16		Clutch, Sprocket, Drum & Bearing Assy	
	60315	Clutch Assy	1
17	51468A	. Spring - Clutch	1
18	51464A	. Shoe - Clutch	4
19	60316	. Rotor Assy - Clutch	1
20	103718	. Spring - Thrust	1
	51774B	Sprocket, Drum & Bearing Assy	1
21	103688	. Bearing - Needle	1
22	51775C	. Sprocket & Drum Assy	1
23	103879	Key - Woodruff	1
24	51420	Washer - Sprocket Assy	1
25		Bar & Chain Assy (See Figure 7)	
26	103267	Screw - Fil hd 1/4-20 x 1	1
27	102130	Screw - Hex hd 1/4-20 x 1-1/2	2
28	101143	Nut - Hex 1/4-20	3
29	57133	Saddle - Frame	1
30	50215	Clamp - Frame	1
31	62244	Insulator - Frame	3
32	64791	Frame & Grip Assy	1
33	57565	Cover Assy - Spark plug	1
34		Oiler Tank & Fuel Tank Assy (See Figure 3)	

Item No.	Part Number	Description	Units Per Assy
35	60251A	Cover - Crankcase bottom	1
36	65654	Gasket - Bottom	1
37	104815	Screw - Hex hd 10-24 x 7/8 (SEMS)	4
38	101326	Nut - Hex 10-24	2
39	104815	Screw - Hex hd 10-24 x 7/8 (SEMS)	3
40	101191	Nut - Hex 10-24	3
41		Starter Assy (See Figure 2)	
42	50581A	Guard - Sawdust	1
43	53488	Fan Housing Assy	1
44	103672	. Screw - Hex hd 8-32 x 1/2	1
45	53490	. Wire Assy - Stop switch	1
46	59592	. Contact - Switch	1
47	59591	. Base - Switch	1
48	100057	. Lockwasher - #8	1
49	57718	. Button - Switch	1
50	101179	Nut - Hex 7/16	1
51	101270	Washer - Special	1
52	-68282	Flywheel & Pawl Assy	1
53	36144B	. Pin - Starter pawl	2
54	24093	. Pawl - Starter	2
55	50582	. Spring - Pawl	2
56	103879	Key - Woodruff	1
57	102289	Screw - Hex hd 10-24 x 3/4	4
58	102189	Washer - #10	3
59	55494	Screw Assy Sealing #10	2
60	55492	. Washer - Sealing #10	2
61		Crankcase Cover Assy (See Figure 2)	
62	100882	Screw - Hex hd 1/4-20 x 3/4	2
63	100004	Washer - 1/4	2
64	104435	Screw - Oval hd 10-24 x 1-3/4	1
65		Cover & Airbox Assy (See Figure 4)	
66	110127	Screw - Hex hd 10-24 x 7/8 (SEMS)	4
67	101191	Nut - 10-24	1
68	-65332	Brace - Handle	1
69		Reed Plate Assy & Insulator (See Figure 4)	
70		Powerhead Assy (See Figure 6)	

Part numbers which have changed since the previous printing of the illustrated parts list covering this model, are indicated by a dash (-) preceding the new part number.

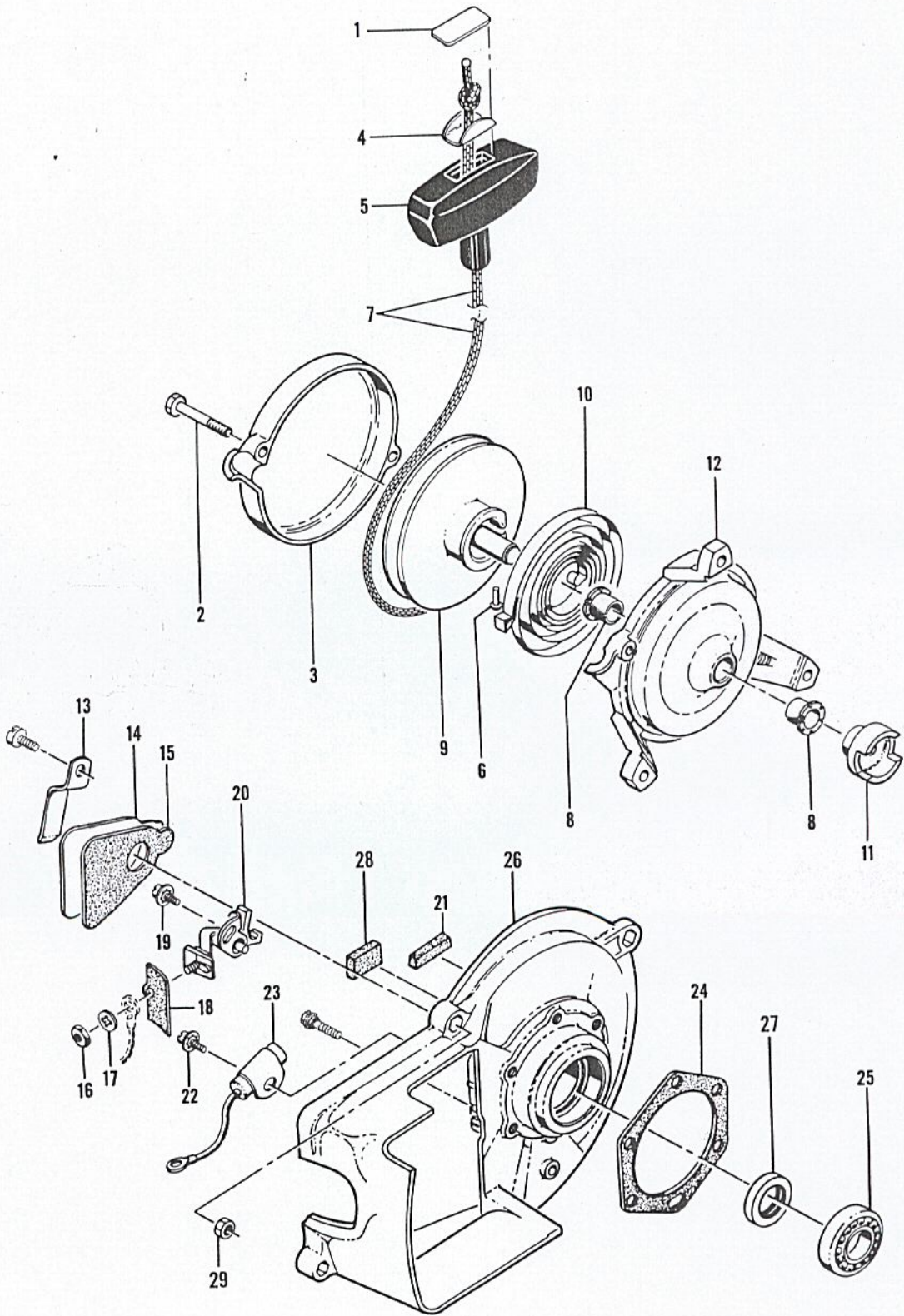


Figure 2. Starter and Crankcase Assemblies

FIGURE 2. STARTER AND CRANKCASE COVER ASSEMBLIES.

Item No.	Part Number	Description	Units Per Assy
	60130	Starter Assy	1
1	57232	. Plate - Starter handle	1
2	104396	. Screw - Pan hd 10-24 x 3/4	2
3	60647	. Cover - Starter	1
4	57231	. Cup - Starter handle	1
5	57230	. Handle - Starter	1
6	101136	. Rivet	1
7	28716	. Rope - Starter	1
8	57535	. Bushing - Starter base	2
9	57792	. Drum - Starter	1
10	51665	. Spring - Rewind	1
11	57790	. Ratchet - Starter	1
12	60646	. Base - Starter	1
13	50671	Retainer - Breaker box cover	1
14	50588A	Cover - Breaker box	1

Item No.	Part Number	Description	Units Per Assy
15	65584	Gasket - Breaker box	1
16	100251	Nut - Hex 8-32	1
17	100057	Lockwasher - #8	1
18	50381A	Insulator - Breaker terminal	1
19	103672	Screw - 8-32 x 1/2 (SEMS)	1
20	50076A	Breaker Assy	1
21	50664	Felt - Breaker box	1
22	103672	Screw - 8-32 x 1/2 (SEMS)	1
23	50074	Condenser	1
24	51240	Gasket - Crankcase	1
25	100824	Bearing - Ball	1
26	57126A	Crankcase Cover Assy	1
27	50663	. Seal - Oil	1
28	54184	. Wiper - Felt	1
29	101326	. Nut - Hex 10-24	2

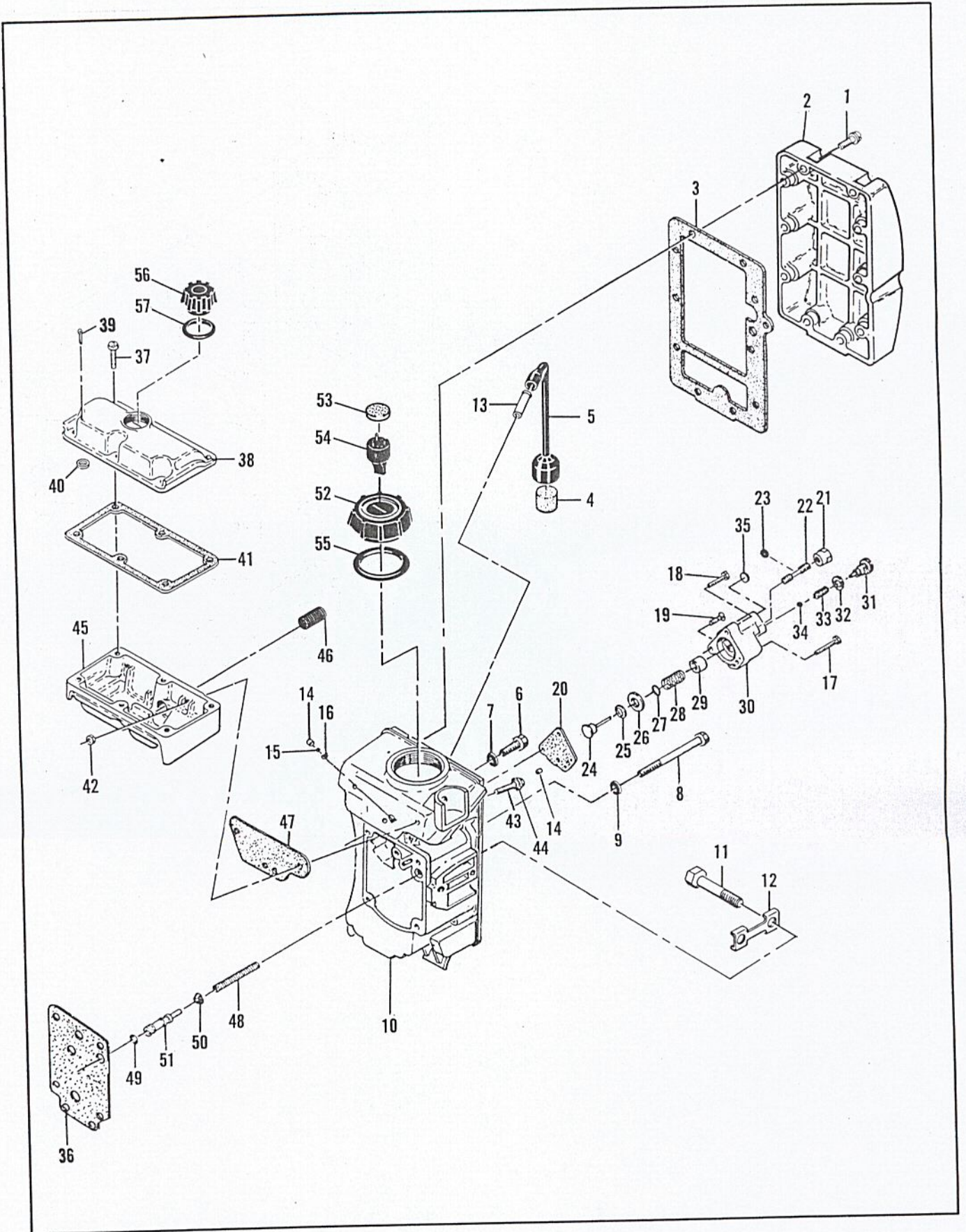


Figure 3. Oiler Tank and Fuel Tank Assemblies

FIGURE 3. OILER TANK AND FUEL TANK ASSEMBLIES

Item No.	Part Number	Description	Units Per Assy
1	104396	Screw - Pan hd 10-24 x 3/4	10
2	68988	Cover - Fuel tank	1
3	65580	Gasket - Fuel tank cover	1
4	50124A	Filter - Fuel	1
5	50082	Hose - Flex	1
6	57840	Screw Assy - Sealing	3
7	50261	Washer - Sealing 1/4	1
8	50523	Screw - Sealing	1
9	50261	Washer - Sealing 1/4	1
10	62154A	Fuel Tank Assy	1
11	61437	Bolt - Bar mounting	2
12	51439	Lockplate	1
13	28042	Tube - Fuel hose	1
14	62216	Seat - Ball	2
15	100071	Ball	1
16	110327	Ring - Retaining	1
17	110257	Screw - Hex hd 10-24 x 1-3/4 (SEMS)	1
18	104138	Screw - Hex hd 10-24 x 7/8 (SEMS)	1
19	110245	Screw - Flat hd 10-24 x 3/4	1
20	65673	Gasket - Pulse pump	1
	67917	Pulse Pump Assy	1
21	60976	Locknut - 10-24	1
22	62890	Screw - Set 10-24 x 1-1/4	1
23	104001	"O" Ring	1
24	60260A	Piston Assy - Pulse pump	1
25	60937	Washer - Teflon	1
26	60263	Ring - Pulse pump	1
27	104001	"O" Ring	1

Item No.	Part Number	Description	Units Per Assy
28	60259	Spring - Piston	1
29	67918	Sleeve - Piston	1
30	60254D	Body Assy - Pulse pump	1
31	60397A	Screw - Fil hd special	1
32	60398B	Washer	1
33	60396B	Spring - Ball check	1
34	102809	Ball - Steel 0.093 in. dia.	1
35	110157	Plug - Expansion 5/8 in.	1
36	65669	Gasket - Fuel tank	1
37	104395	Screw - Pan hd 10-24 x 5/8	6
38	57114A	Cover - Oil tank	1
39	100010	Pin - Cotter	1
40	69352	Washer - Felt	1
41	57152	Gasket - Oil tank cover	1
42	101326	Nut - Hex 10-24	3
43	55494	Screw Assy - Sealing	3
44	55492	Washer - Sealing	3
45	66618	Tank - Oiler	1
46	57279	Screen - Oiler	1
47	57147	Gasket - Oiler tank	1
48	68705	Spring - Oiler piston	1
49	101056	"O" Ring	1
50	87116	Cup - Oiler piston	1
51	68704	Piston - Oiler	1
52	55934B	Fuel Cap Assy	1
53	55063	Filter - Fuel cap	1
54	53766A	Valve - Fuel cap	1
55	101348	"O" Ring	1
56	57129A	Cap - Oil filler	1
57	101148	"O" Ring	1

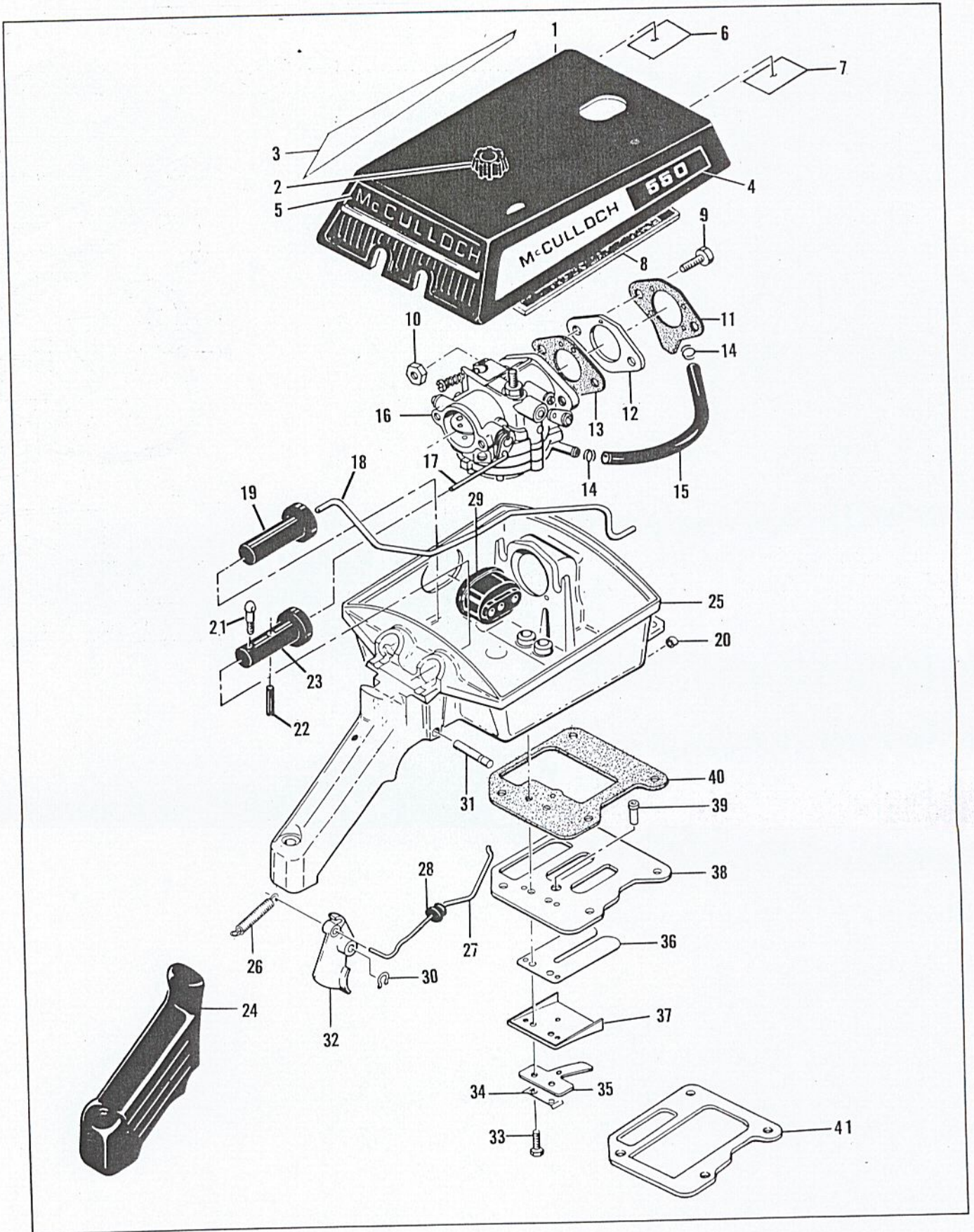


Figure 4. Cover and Airbox Assemblies

FIGURE 4. COVER AND AIRBOX ASSEMBLIES.

Item No.	Part Number	Description	Units Per Assy
1	61466	Cover Assy - Air cleaner	1
2	61458A	. Knob - Cover	1
3	63860	Nameplate - L.H.	1
4	63861	Nameplate - R.H.	1
5	66799	Trim - Air cleaner cover	1
6	63863	Label - Starting instructions	1
7	63862	Label - Fuel mix	1
8	67931	Screen - Air cleaner	1
9	- 53539	Screw - Special	2
10	103242	Nut - Hex 10-24	2
11	- 65630	Gasket - Carburetor adapter	1
12	- 50686A	Adapter - Carburetor	1
13	65583	Gasket - Carburetor	1
14	50742	Clamp - Hose	2
15	- 50097	Hose - Fuel	1
16		Carburetor Assy (See Figure 5)	
17	- 57134	Pushrod - Choke	1
18	57866A	Pushrod - Oiler	1
19	50591B	Button - Oiler	1
20	57736	Seal - Oiler pushrod	1
21	- 61822	Screw - Choke button	1

Item No.	Part Number	Description	Units Per Assy
22	- 101556	Pin - Roll	1
23	- 50777B	Button - Choke	1
24	57834	Grip - Handle	1
25	62488	Airbox Assy	1
26	36499	. Spring - Throttle	1
27	- 50684	. Rod - Throttle	1
28	- 68258	. Grommet - Throttle rod	1
29	- 57105	. Grommet - Carburetor controls	1
30	104501	. Retainer - Trigger pin	1
31	50507	. Pin - Trigger	1
32	50091B	. Trigger	1
33	103740	. Screw - Hex hd 8-32 x 5/8	2
34	51480	. Plate - Lock	1
35	57658A	. Clamp - Reed	1
36	48593	. Valve - Reed	1
37	66274	. Deflector - Fuel	1
38	53685C	. Plate - Reed	1
39	63067	. Tube - Reed plate	1
40	65653	. Gasket - Airbox	1
41	62834	. Insulator - Reed plate	1

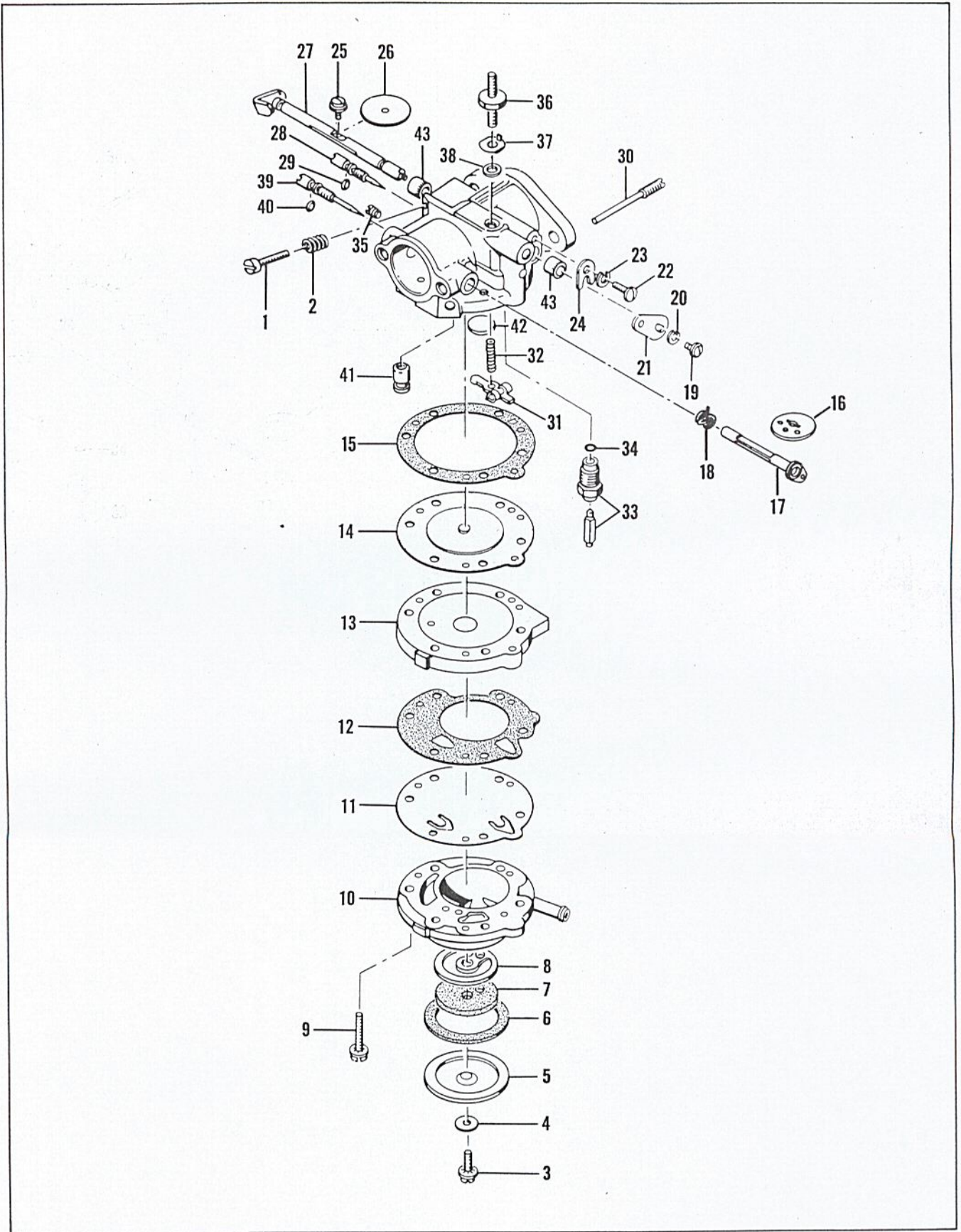


Figure 5. Carburetor

FIGURE 5. CARBURETOR ASSEMBLY.

Item No.	Part Number	Description	Units Per Assy
-	66346	Carburetor Assy	1
1	*50799	. Screw - Idle speed regulating	1
2	*51705	. Spring - Idle speed regulating screw	1
3	*50797	. Screw - Fuel filter cover	1
4	50798	. Gasket - Fuel filter cover	1
5	50796	. Cover - Fuel filter	1
6	51704	. Gasket - Fuel filter cover	1
7	*53717	. Filter Element - Fuel	1
8	53565	. Gasket - Fuel filter	1
9	51597	. Screw - Fuel pump body	6
10	50670	. Body - Fuel pump	1
11	53164	. Diaphragm - Fuel pump	1
12	65592	. Gasket - Fuel pump	1
13	51592	. Cover - Diaphragm	1
14	*66167	. Diaphragm Assy	1
15	65591	. Gasket - Diaphragm	1
16	53813	. Shutter - Choke	1
17	53814	. Shaft and Lever - Choke	1
18	*51586	. Spring - Choke shaft return	1
19	*51719	. Screw - Throttle governor lever	1
20	*100261	. Lockwasher	1
21	51718	. Lever - Throttle governor	1
22	*51717	. Screw - Throttle shaft clip	1
23	*100252	. Lockwasher	1
24	51716	. Clip - Throttle shaft	1

Item No.	Part Number	Description	Units Per Assy
25	*51721	. Screw - Throttle shutter	1
26	51720	. Shutter - Throttle	1
27	50803A	. Throttle Shaft and Lever	1
28	*51702	. Needle Assy - Idle adjustment	1
29	104001	. . "O" Ring	1
30	*51710	. Screw - Inlet control lever pinion	1
31	*51709	. Lever - Inlet control	1
32	*66404	. Spring - Inlet Tension	1
33	*51707A	. Seat and Needle Assy	1
34	51708	. Gasket - Inlet seat	1
35	51589	. Drain Screw - Diaphragm chamber	1
36	50785	. Stud - Air cleaner attachment	1
37	63026	. Tab - Locking	1
38	63945	. Gasket - Stud	1
	66230	. Body and Needle Assy - Carburetor	1
39	*66405	. . Needle Assy - Main adjustment	1
40	104001	. . . "O" Ring	1
41	65611	. . Check valve	1
42	*51583	. . Plug - Welch	1
43	51715	. . Bushing - Shaft	2
	*50806	Gasket and Packing Set	1
	66422	Repair Parts Kit	1

*Indicates part in Repair Parts Kit #66422

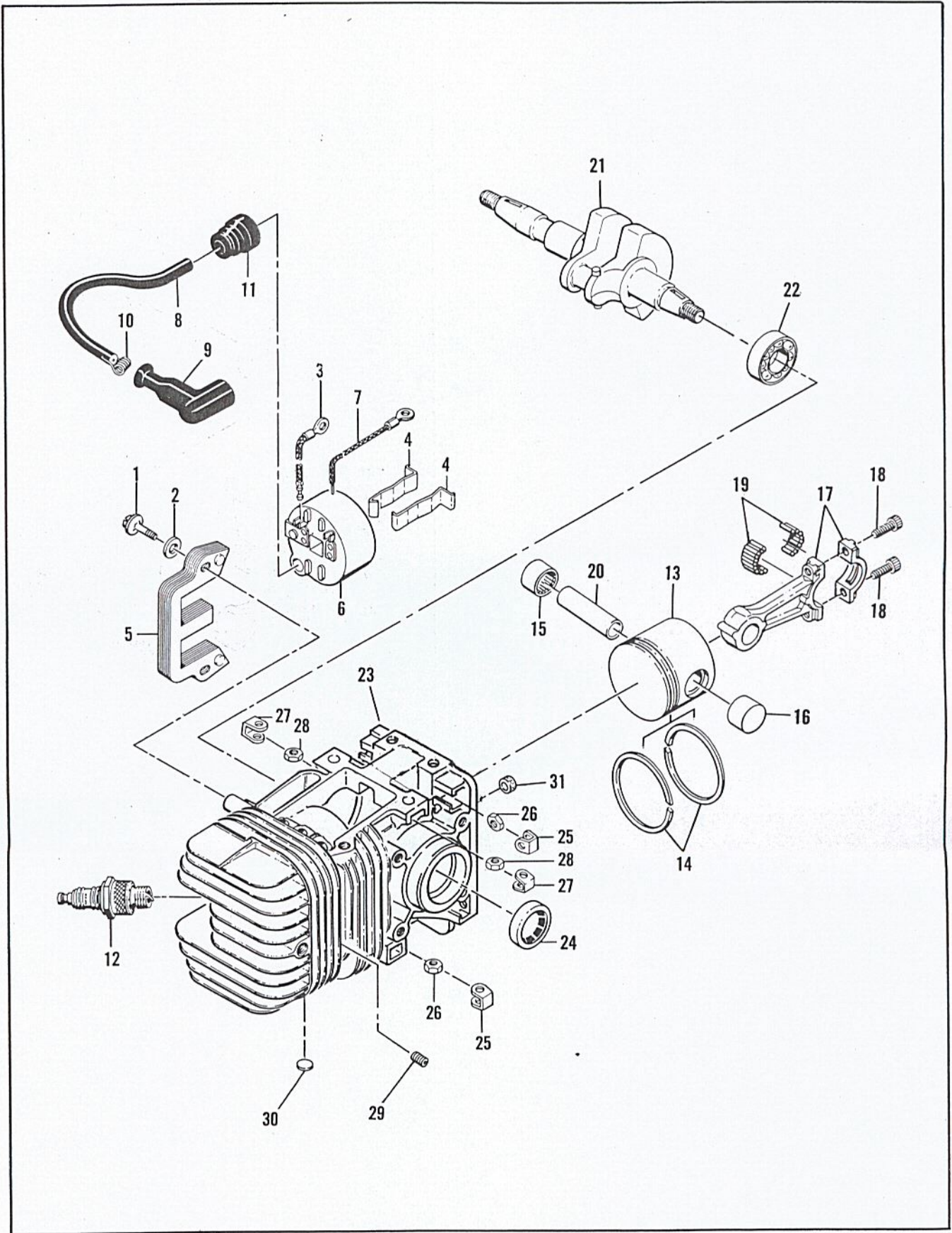


Figure 6. Powerhead Assembly

FIGURE 6. POWERHEAD ASSEMBLY.

Item No.	Part Number	Description	Units Per Assy
1	104815	Screw - Fil hd 10-24 x 7/8	2
2	100352	Washer - #10	2
3	57225	Wire Assy - Primary	1
4	51253	Retainer - Coil	2
5	51251	Lamination Assy	1
6	57643A	Coil and Terminal Kit	1
7	101883	. Wire Assy - Ground	1
8	57648	. Wire - Spark plug	1
9	55060	. Boot - Spark plug	1
10	55061	. Connector	1
11	55617	. Nipple - Spark plug wire	1
12		Spark Plug 14MM	1
13	58878A	Piston Assy (2.165-in. dia.)	1
14	58881	. Ring Set - Piston (0.062-in. wide)	1
15	101206	. Bearing	1
16	104378	. Bearing (closed end)	1

Item No.	Part Number	Description	Units Per Assy
17	47903	Connecting Rod Assy	1
18	60210A	. Screw - Socket hd 10-32 x 5/8	2
19	102742	. Roller - Needle	24
20	62831	Pin - Piston	1
21	63440	Crankshaft	1
22	100824	Bearing - Ball	1
23	68259	Crankcase Assy	1
24	104432	. Seal - Oil	1
25	18556A	. Retainer - Nut	6
26	105394	. Nut - Hex 1/4-20	6
27	28053	. Retainer - Nut	2
28	101326	. Nut - Hex 10-24	2
29	110034	. Insert - Taplok	3
30	110179	. Plug - Expansion	3
31	57736	Seal - Pushrod	1

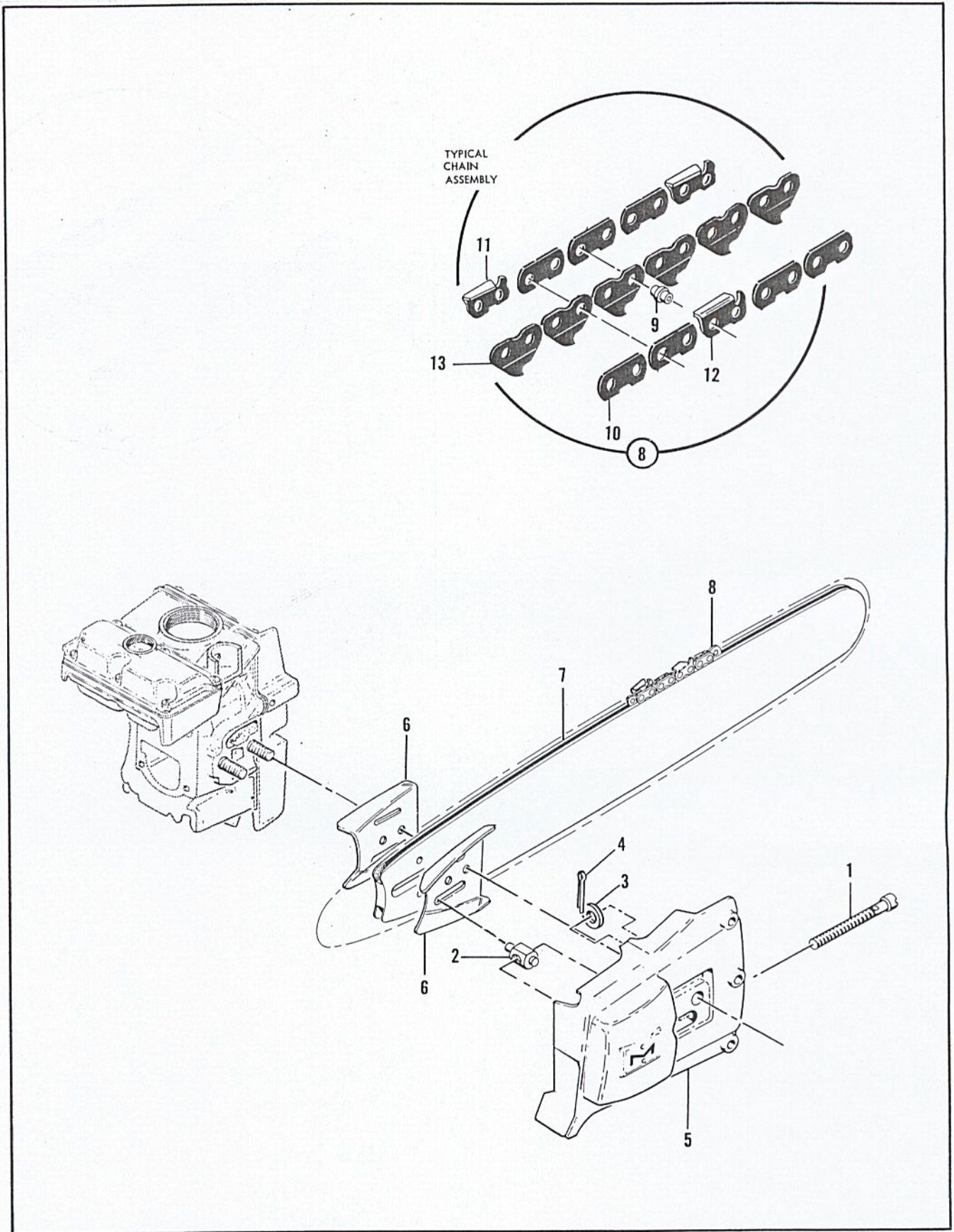


Figure 7. Clutch Guard - Bar and Chain Assemblies

FIGURE 7. CLUTCH GUARD—BAR AND CHAIN ASSEMBLIES.

Item No.	Part Number	Description	Units Per Assy
1	60133A	Guard Assy - Clutch	1
	62057	. Screw - Fil hd 1/4-28 x 3-1/2	1
2	52207C	. Nut - Bar adjusting	1
3	100004	. Washer	1
4	105686	. Key - Cotter	1
5	60134	. Guard - Clutch	1
6	64935	Bar Plate	2

Item No.	Part Number	Description	Units Per Assy
7		Bar	1
8		Typical Chain Assy	1
9		. Rivet	1
10		. Side Link	1
11		. Cutter - Left side	1
12		. Cutter - Right side	1
13		. Center Link	1

TOOLS AND ACCESSORIES.

Part Number	Description
61040	Wrench & Screwdriver Combination
36248	Wrench - Spark plug
- 69550	Owner's Manual of Operating Instructions
61330	Kit - Spike 5-tooth
61331	Kit - Spike 4-tooth
64788	Kit - Spike 5-tooth (inboard)
- 69332	Baffle Kit - Spark Arrester
65712	Timing Guide

Part Number	Description
58886A	Piston Assy 0.020 in. oversize
58889	. Ring Set 0.020 in. oversize (0.062 in. wide)
101206	. Bearing
104378	. Bearing (closed end)
58890A	Piston Assy 0.030 in. oversize
58893	. Ring Set 0.030 in. oversize (0.062 in. wide)
101206	. Bearing
104378	. Bearing (closed end)