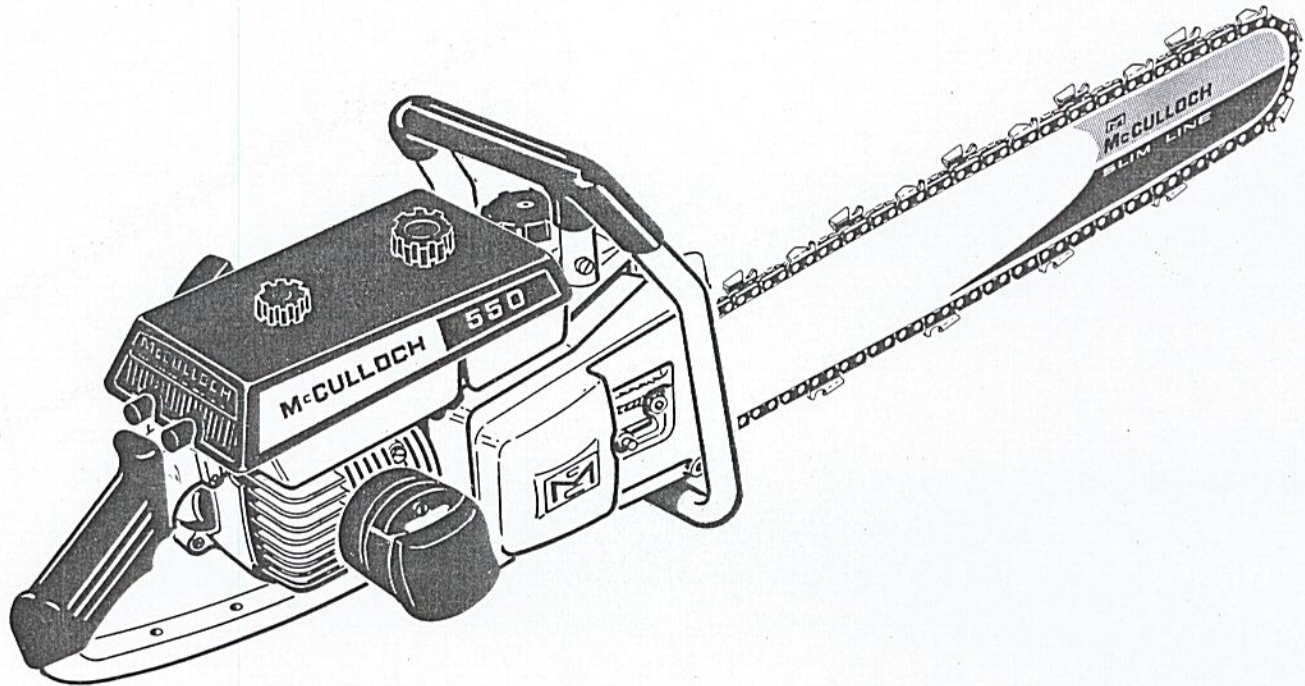


ILLUSTRATED PARTS LIST

October 1967



The policy of McCulloch Corporation is one of continual improvement in design, manufacturing and engineering advancement wherever possible to assure still finer two-cycle power tools. Hence, specifications, equipment, colors, design and manufacturer's suggested list prices are subject to change without notice and McCulloch Corporation reserves the right to make such changes without prior notification or obligation to backfit or supply backfit components for units previously shipped from the factory.

	Page
Figure 1. Engine Exploded View - General	2
Figure 2. Starter and Crankcase Cover Assemblies . . .	4
Figure 3. Oiler Tank and Fuel Tank Assemblies	6
Figure 4. Cover and Airbox Assemblies	8
Figure 5. McCulloch Carburetor Assembly	10
Figure 6. Powerhead Assembly	12
Figure 7. Clutch Guard - Bar and Chain Assembly . . .	14



McCULLOCH

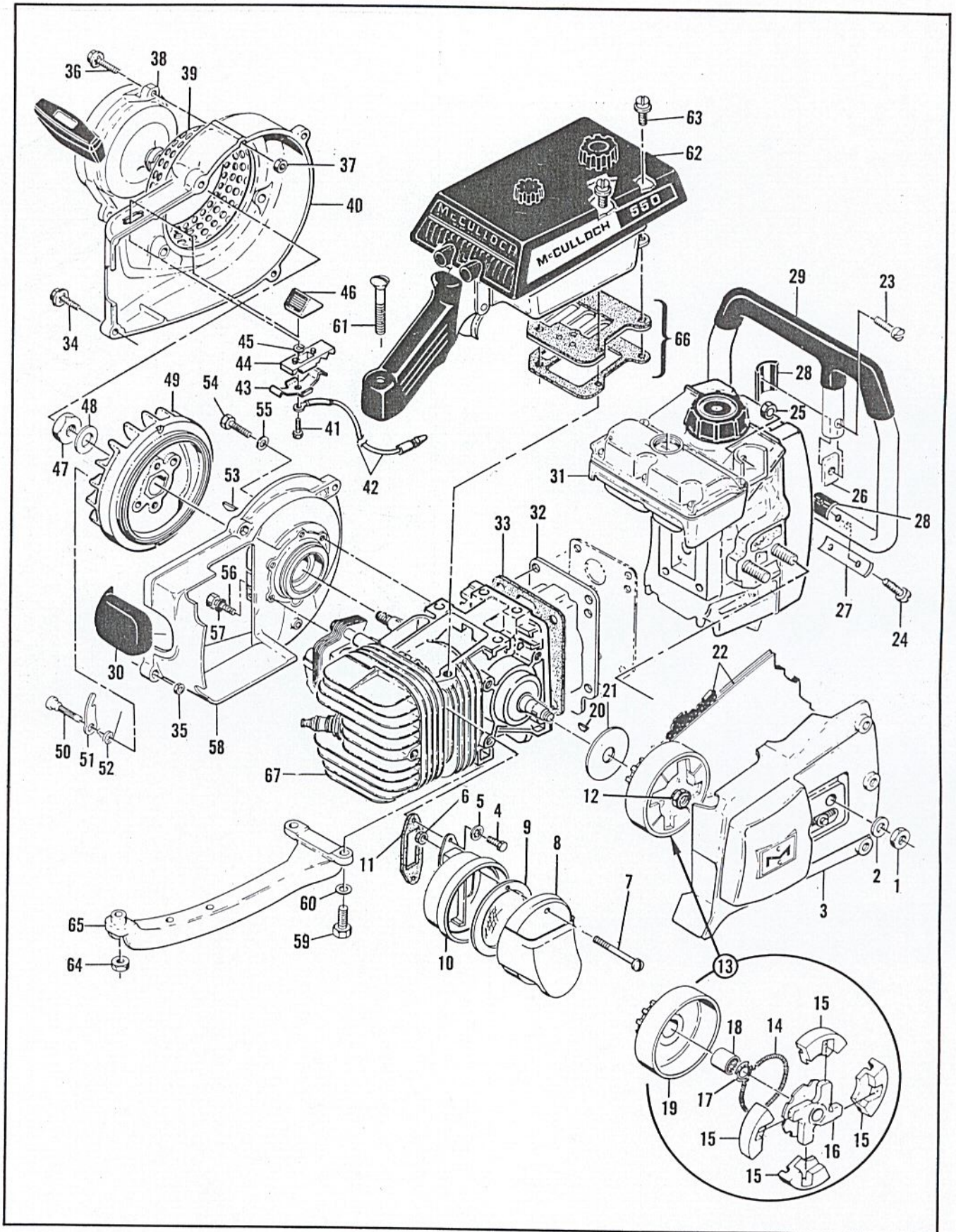


Figure 1. Engine Exploded View - General

FIGURE 1. ENGINE EXPLODED VIEW—GENERAL.

Item No.	Part Number	Description	Units Per Assy
1	103729	Nut - Hex 3/8-24	2
2	100006	Washer - 3/8	2
3		Guard Assy - Clutch (See Figure 7)	1
4	102388	Screw - Hex hd 10-24 x 5/8	2
5	103100	Lockwasher - #10	2
	63910	Spark Arrester Assy	1
6	101191	. Nut - Hex 10-24	2
7	110371	. Screw - Fil hd 10-24 x 1-5/8	2
8	53205B	. Top Assy - Spark arrester	1
9	51968	. Baffle	1
10	-52424B	. Bottom Assy - Spark arrester	1
11	53652	Gasket - Spark arrester	1
12	103746	Nut - Flexloc	1
13		Clutch, Sprocket, Drum & Bearing Assy	1
	60315	Clutch Assy	1
14	51468A	. Spring - Clutch	1
15	51464A	. Shoe - Clutch	4
16	60316	. Rotor Assy - Clutch	1
17	103718	Spring - Thrust	1
	51774B	Sprocket, Drum & Bearing Assy	1
18	103688	. Bearing - Needle	1
19	-51775C	. Sprocket & Drum Assy	1
20	103879	Key - Woodruff	1
21	51420	Washer - Sprocket Assy	1
22		Bar & Chain Assy (See Figure 7)	1
23	103267	Screw - Fil hd 1/4-20 x 1	1
24	102130	Screw - Hex hd 1/4-20 x 1-1/2	2
25	101143	Nut - Hex 1/4-20	3
26	57133	Saddle - Frame	1
27	50215	Clamp - Frame	1
28	62244	Insulator - Frame	3
29	-64791	Frame & Grip Assy	1
30	57565	Cover Assy - Spark plug	1
31		Oiler Tank & Fuel Tank Assy (See Figure 3)	1
32	60251A	Cover - Crankcase bottom	1
33	-65654	Gasket - Bottom	1
34	104815	Screw - Hex hd 10-24 x 7/8 (SEMS)	4

Item No.	Part Number	Description	Units Per Assy
35	101326	Nut - Hex 10-24	2
36	104815	Screw - Hex hd 10-24 x 7/8 (SEMS)	3
37	101191	Nut - Hex 10-24	3
38		Starter Assy (See Figure 2)	1
39	50581A	Guard - Sawdust	1
40	53488	Fan Housing Assy	1
41	103672	. Screw - Hex hd 8-32 x 1/2	1
42	53490	. Wire Assy - Stop switch	1
43	59592	. Contact - Switch	1
44	59591	. Base - Switch	1
45	100057	. Lockwasher - #8	1
46	57718	. Button - Switch	1
47	101179	Nut - Hex 7/16	1
48	101270	Washer - Special	1
49	-65768	Flywheel & Pawl Assy	1
50	36144B	. Pin - Starter pawl	2
51	24093	. Pawl - Starter	2
52	50582	. Spring - Pawl	2
53	103879	Key - Woodruff	1
54	102289	Screw - Hex hd 10-24 x 3/4	4
55	102189	Washer - #10	3
56	55494	Screw Assy Sealing #10	2
57	55492	. Washer - Sealing #10	2
58		Crankcase Cover Assy (See Figure 2)	1
59	100882	Screw - Hex hd 1/4-20 x 3/4	2
60	100004	Washer - 1/4	2
61	104435	Screw - Oval hd 10-24 x 1-3/4	1
62		Cover & Airbox Assy (See Figure 4)	1
63	110127	Screw - Hex hd 10-24 x 7/8 (SEMS)	4
64	101191	Nut - 10-24	1
65	50041	Brace - Handle	1
66		Reed Plate Assy & Insulator (See Figure 4)	1
67		Powerhead Assy (See Figure 6)	1

Part numbers which have changed since the previous printing of the illustrated parts list covering this model, are indicated by a dash (-) preceding the new part number. The dash precedes part numbers changed by a letter suffix as well as those changed to an entirely new number.

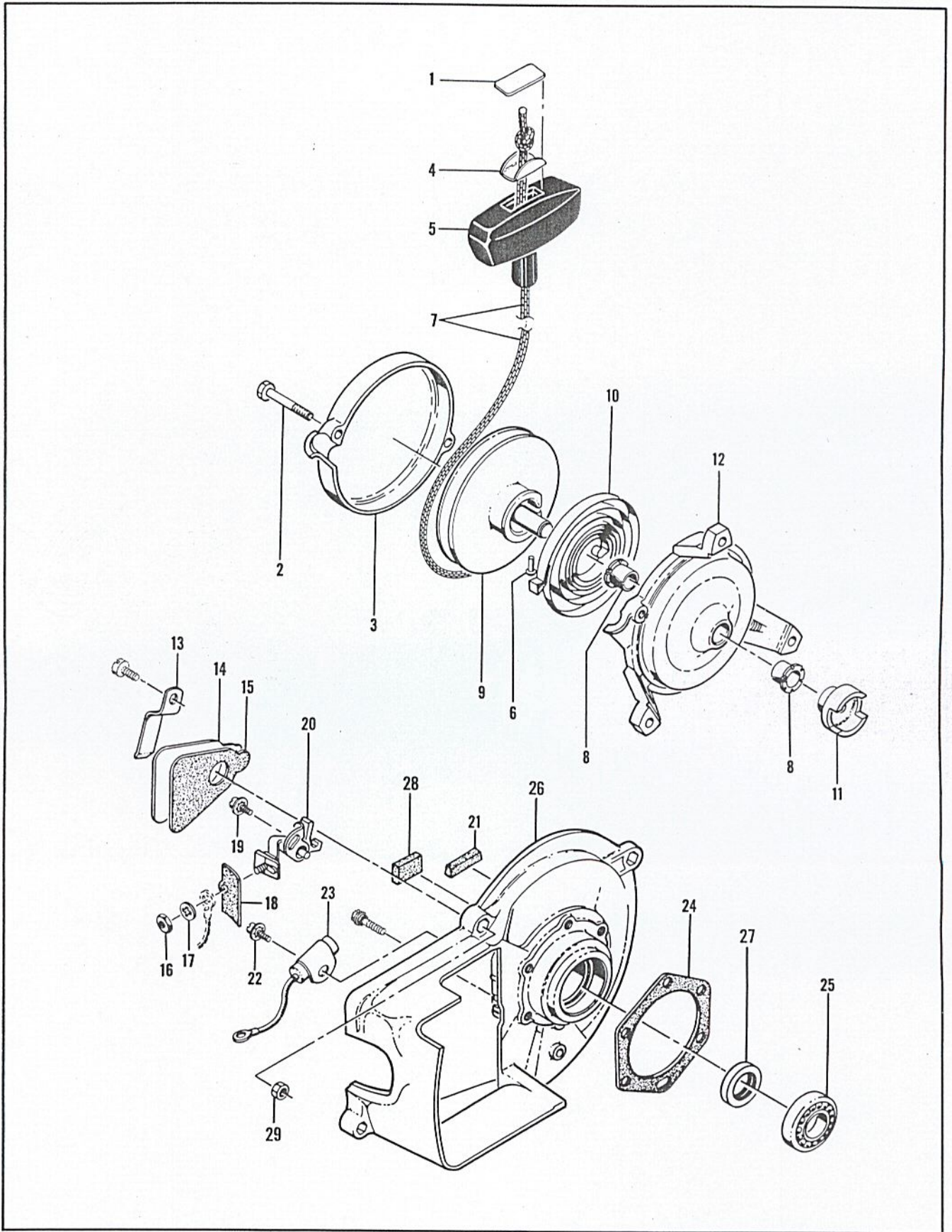


Figure 2. Starter and Crankcase Assemblies

FIGURE 2. STARTER AND CRANKCASE COVER ASSEMBLIES.

Item No.	Part Number	Description	Units Per Assy
	60130	Starter Assy	1
1	57232	. Plate - Starter handle	1
2	104396	. Screw - Pan hd 10-24 x 3/4	2
3	60647	. Cover - Starter	1
4	57231	. Cup - Starter handle	1
5	57230	. Handle - Starter	1
6	101136	. Rivet	1
7	28716	. Rope - Starter	1
8	57535	. Bushing - Starter base	2
9	57792	. Drum - Starter	1
10	51665	. Spring - Rewind	1
11	57790	. Ratchet - Starter	1
12	60646	. Base - Starter	1
13	50671	Retainer - Breaker box cover	1
14	50588A	Cover - Breaker box	1

Item No.	Part Number	Description	Units Per Assy
15	-65584	Gasket - Breaker box	1
16	100251	Nut - Hex 8-32	1
17	100057	Lockwasher - #8	1
18	50381A	Insulator - Breaker terminal	1
19	103672	Screw - 8-32 x 1/2 (SEMS)	1
20	50076A	Breaker Assy	1
21	50664	Felt - Breaker box	1
22	103672	Screw - 8-32 x 1/2 (SEMS)	1
23	50074	Condenser	1
24	51240	Gasket - Crankcase	1
25	100824	Bearing - Ball	1
26	57126A	Crankcase Cover Assy	1
27	50663	. Seal - Oil	1
28	54184	. Wiper - Felt	1
29	101326	. Nut - Hex 10-24	2

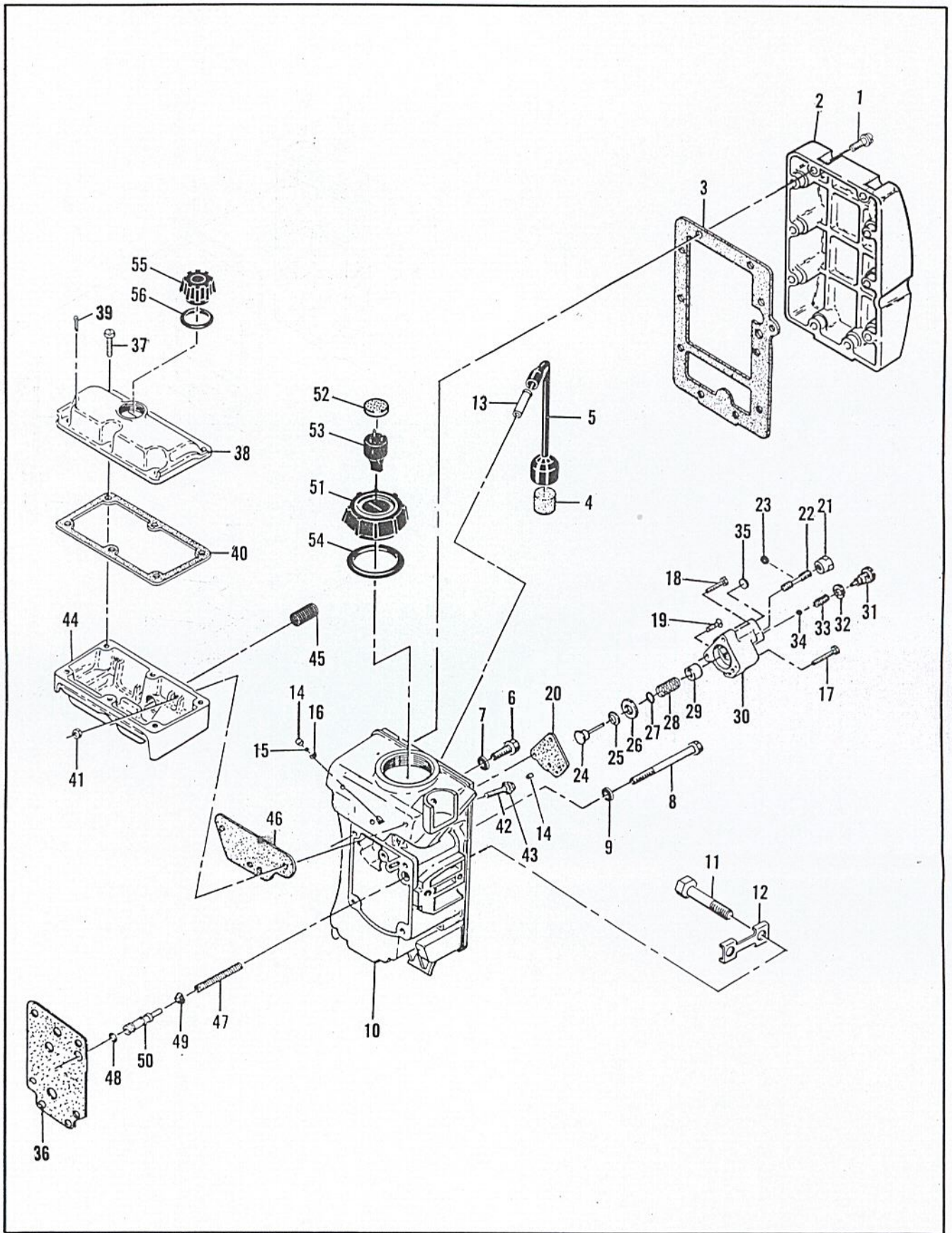


Figure 3. Oiler Tank and Fuel Tank Assemblies

FIGURE 3. OILER TANK AND FUEL TANK ASSEMBLIES

Item No.	Part Number	Description	Units Per Assy
1	104396	Screw - Pan hd 10-24 x 3/4	10
2	60781	Cover - Fuel tank	1
3	- 65580	Gasket - Fuel tank cover	1
4	50124A	Filter - Fuel	1
5	50082	Hose - Flex	1
6	57840	Screw Assy - Sealing	3
7	50261	. Washer - Sealing 1/4	1
8	50569	Screw Assy - Sealing	1
9	50261	. Washer - Sealing 1/4	1
10	62154A	Fuel Tank Assy	1
11	61437	. Bolt - Bar mounting	2
12	51439	. Lockplate	1
13	28042	. Tube - Fuel hose	1
14	62216	. Seat - Ball	2
15	100071	. Ball	1
16	110327	. Ring - Retaining	1
17	110257	Screw - Hex hd 10-24 x 1-3/4 (SEMS)	1
18	- 104138	Screw - Hex hd 10-24 x 7/8 (SEMS)	1
19	110245	Screw - Flat hd 10-24 x 3/4	1
20	- 65673	Gasket - Pulse pump	1
	- 67917	Pulse Pump Assy	1
21	60976	. Locknut - 10-24	1
22	62890	. Screw - Set 10-24 x 1-1/4	1
23	104001	. "O" Ring	1
24	60260A	. Piston Assy - Pulse pump	1
25	60937	. Washer - Teflon	1
26	60263	. Ring - Pulse pump	1
27	- 104001	. "O" Ring	1

Item No.	Part Number	Description	Units Per Assy
28	60259	. Spring - Piston	1
29	- 67918	. Sleeve - Piston	1
30	60254D	. Body Assy - Pulse pump	1
31	60397A	. . Screw - Fil hd special	1
32	60398B	. . Washer	1
33	60396B	. . Spring - Ball check	1
34	102809	. . Ball - Steel 0.093 in. dia.	1
35	110157	. . Plug - Expansion 5/8 in.	1
36	- 65669	Gasket - Fuel tank	1
37	104395	Screw - Pan hd 10-24 x 5/8	6
38	- 63085	Cover - Oil tank	1
39	100010	Pin - Cotter	1
40	57152	Gasket - Oil tank cover	1
41	101326	Nut - Hex 10-24	3
42	55494	Screw Assy - Sealing	3
43	- 55492	. Washer - Sealing	3
44	57112A	Tank - Oiler	1
45	57279	Screen - Oiler	1
46	57147	Gasket - Oiler tank	1
47	- 63943	Spring - Oiler piston	1
48	101056	"O" Ring	1
49	24104A	Cup - Oiler piston	1
50	63122	Piston - Oiler	1
51	55934B	Fuel Cap Assy	1
52	55063	. Filter - Fuel cap	1
53	53766A	. Valve - Fuel cap	1
54	101348	"O" Ring	1
55	57129A	Cap - Oil filler	1
56	101148	"O" Ring	1

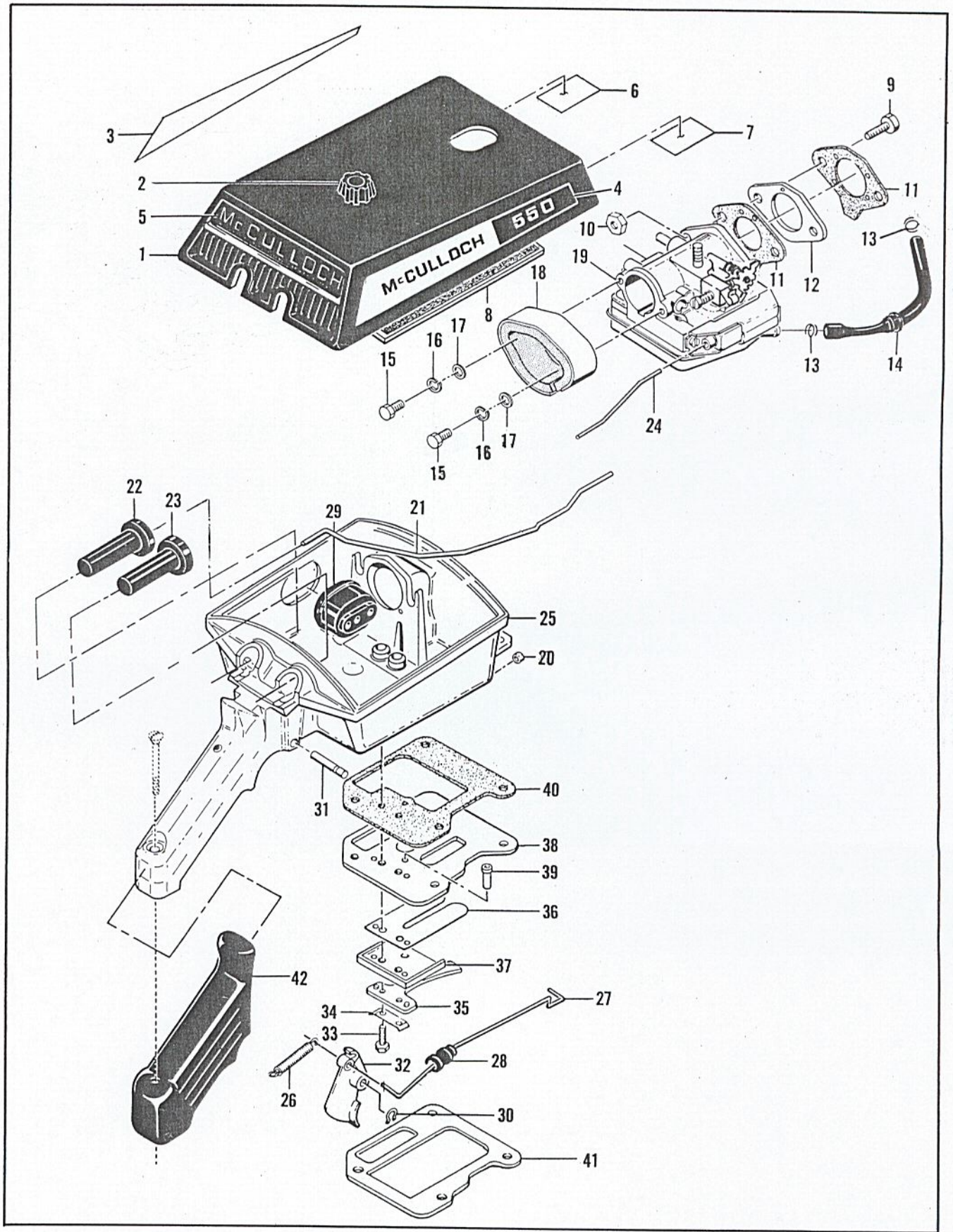


Figure 4. Cover and Airbox Assemblies

FIGURE 4. COVER AND AIRBOX ASSEMBLIES.

Item No.	Part Number	Description	Units Per Assy
1	61466	Cover Assy - Air cleaner	1
2	61458A	. Knob - Air cleaner cover	1
3	63860	Nameplate - L.H.	1
4	63861	Nameplate - R.H.	1
5	-66799	Trim - Air cleaner cover	1
6	63863	Label - Starting instructions	1
7	63862	Label - Fuel mix	1
8	-67931	Screen - Air cleaner	1
9	60208	Screw - Hex hd 1/4-20 x 7/8	2
10	103242	Nut - Hex 10-24	2
11	-65583	Gasket - Carburetor	2
12	53189	Adapter - Carburetor	1
13	50742	Clamp - Fuel hose	2
14	-67094	Hose - Fuel	1
15	103705	Screw - Hex hd 10-32 x 9/16	2
16	103174	Lockwasher - #10	2
17	102189	Washer - #10	2
18	58922A	Collector Assy - Fuel	1
19		Carburetor Assy (See Figure 5)	1
20	-57736	Seal - Oiler pushrod	1
21	57866A	Pushrod - Oiler	1
22	50591B	Button - Oiler	1

Item No.	Part Number	Description	Units Per Assy
23	50591B	Button - Primer	1
24	53589A	Pushrod - Primer	1
25	62488	Airbox Assy	1
26	36499	. Spring - Throttle	1
27	61106	. Rod - Throttle	1
28	60237	. Grommet - Throttle rod	1
29	53277	. Grommet - Carburetor controls	1
30	104501	. Retainer - Trigger pin	1
31	50507	. Pin	1
32	50091B	. Trigger	1
33	103740	. Screw - Hex hd 8-32 x 5/8	2
34	51480	. Plate - Lock	1
35	57658A	. Clamp - Reed	1
36	48593	. Valve - Reed	1
37	-66274	. Deflector - Fuel	1
38	53685C	. Plate - Reed	1
39	63067	. Tube - Reed plate	1
40	-65653	. Gasket - Airbox	1
41	62834	. Insulator - Reed plate	1
42	57834	Grip - Handle	1

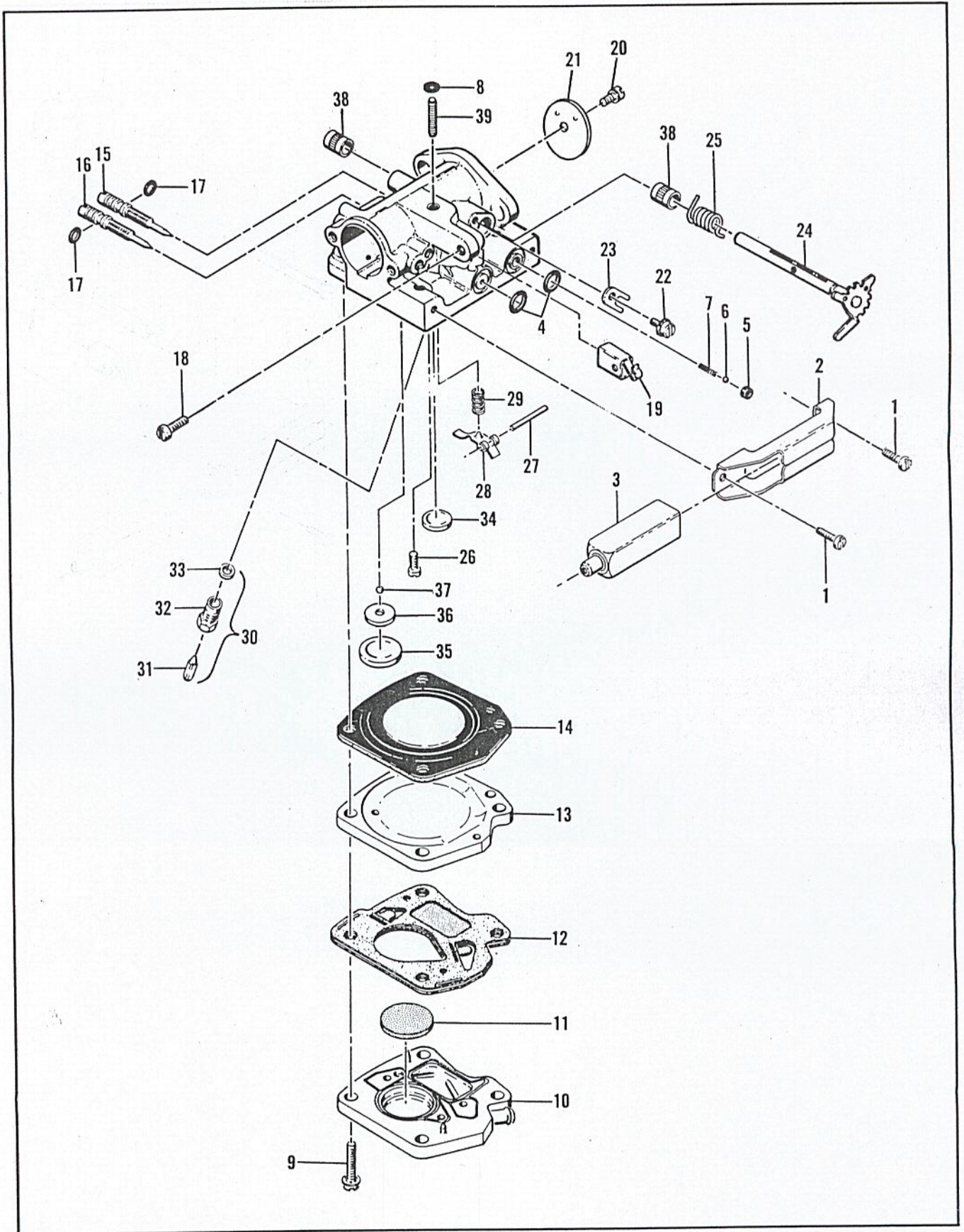


Figure 5. Carburetor Assembly

FIGURE 5. CARBURETOR ASSEMBLY.

Item No.	Part Number	Description	Units Per Assy
	-67265	Carburetor Assy	1
1	110054	. Screw - Pan hd 6-32 x 3/8	2
2	53440	. Bracket - Primer mounting	1
3	53449	. Primer Assy	1
4	101056	. "O" Ring	2
5	59480	. Seat - Primer valve	1
6	100302	. Ball - Steel 1/8	1
7	28754	. Spring - Primer	1
8	100283	. Grommet	1
9	104520	. Screw - 10-24 x 7/8 (SEMS)	4
10	-48898	. Body - Fuel pump	1
11	-57277A	. Filter - Fuel	1
12	-66442	. Diaphragm Assy - Fuel pump	1
13	48901	. Plate - Carburetor diaphragm	1
14	55067C	. Diaphragm - Carburetor	1
15	53948	. Needle - Idle adjustment	1
16	53311	. Needle - Main adjustment	1
17	104001	. "O" Ring	2
18	62910	. Screw - Idle adjusting	1
19	61108	. Guide - Throttle rod	1
20	104814	. Screw - 4-40 x 1/4 (SEMS)	1

Item No.	Part Number	Description	Units Per Assy
21	61360	. Plate - Throttle	1
22	110055	. Screw - 8-32 x 3/8 (SEMS)	1
23	55082	. Clip - Shaft	1
24	61854A	. Shaft Assy - Throttle	1
25	61858	. Spring - Idle governor	1
26	104164	. Screw - Pan hd 4-40 x 1/4	1
27	104305	. Pin - Lever	1
28	55688	. Lever - Inlet control	1
29	57172	. Spring - Inlet control	1
30	60163A	. Valve Set - Needle & body	1
31	63038	. . Needle - Inlet control	1
32	58969	. . Body - Needle valve	1
33	55689	. . Washer - Needle valve	1
	-66420	. Body Assy - Carburetor	1
34	-110179	. . Plug - Expansion 1/2	1
35	104407	. . Plug - Expansion 1	1
	61155	. . Set - Ball and seat	1
36	61152	. . . Seat - Ball	1
37	61151	. . . Ball - Nylon 3/32	1
38	55062A	. . Bushing - Body	2
39	48611	. . Stud	1

FIGURE 6. POWERHEAD ASSEMBLY.

Item No.	Part Number	Description	Units Per Assy
1	104815	Screw - Fil hd 10-24 x 7/8	2
2	-100352	Washer - #10	2
3	57225	Wire Assy - Primary	1
4	51253	Retainer - Coil	2
5	51251	Lamination Assy	1
6	-57643A	Coil and Terminal Kit	1
7	101883	. Wire Assy - Ground	1
8	-57648	. Wire - Spark plug	1
9	55060	. Boot - Spark plug	1
10	55061	. Connector	1
11	55617	. Nipple - Spark plug wire	1
12		Spark Plug 14MM	1
13	58878A	Piston Assy (2.165-in. dia.)	1
14	58881	. Ring Set - Piston (0.062-in. wide)	1
15	101206	. Bearing	1

Item No.	Part Number	Description	Units Per Assy
16	104378	. Bearing (closed end)	1
17	47903	Connecting Rod Assy	1
18	60210A	. Screw - Socket hd 10-32 x 5/8	2
19	102742	. Roller - Needle	24
20	62831	Pin - Piston	1
21	63440	Crankshaft	1
22	100824	Bearing - Ball	1
23	63436	Crankcase Assy	1
24	104432	. Seal - Oil	1
25	18556A	. Retainer - Nut	6
26	105394	. Nut - Hex 1/4-20	6
27	28053	. Retainer - Nut	2
28	101326	. Nut - Hex 10-24	2
29	110034	. Insert - Taplok	2
30	110179	. Plug - Expansion	3
31	57736	Seal - Pushrod	1

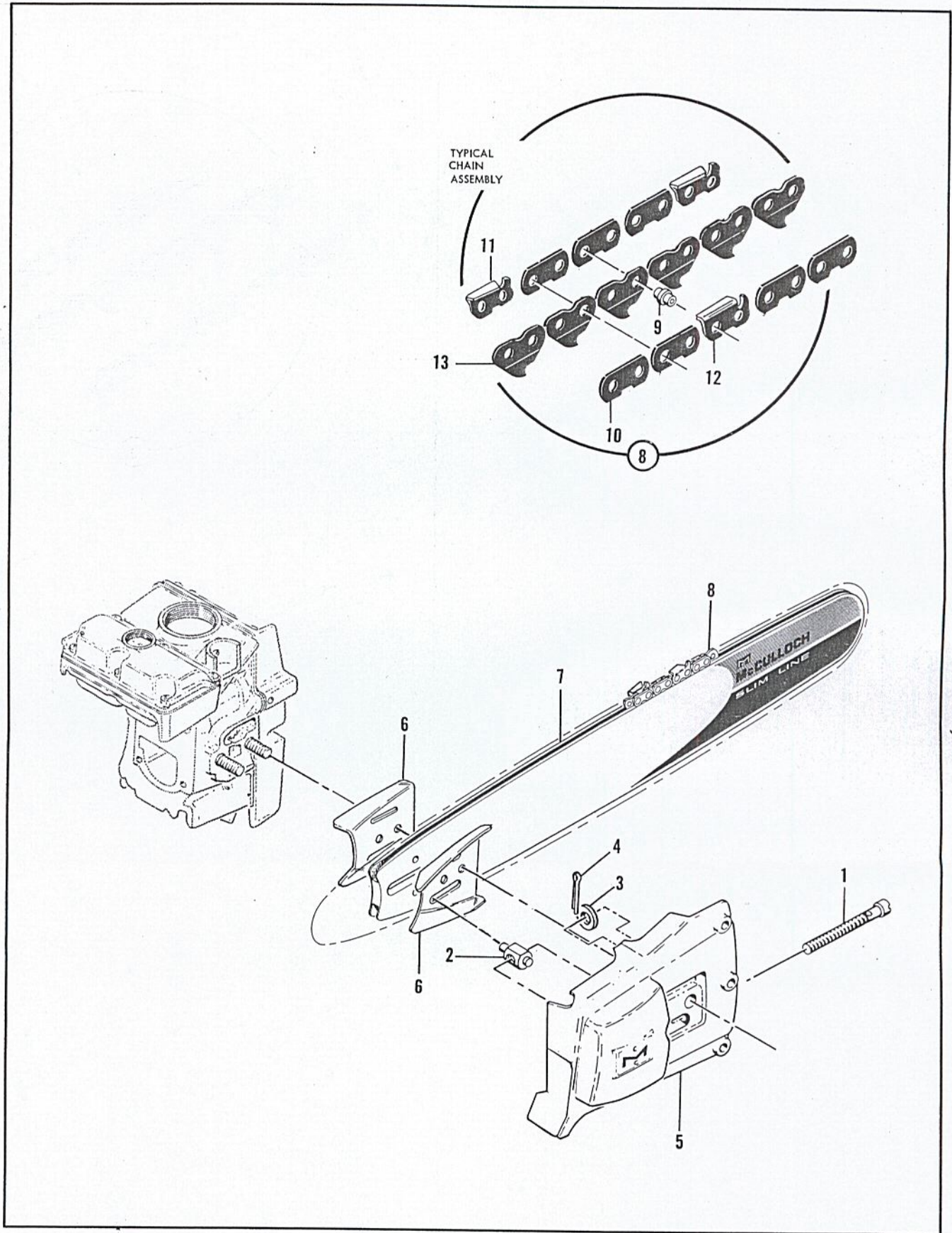


Figure 7. Clutch Guard - Bar and Chain Assemblies

FIGURE 7. CLUTCH GUARD—BAR AND CHAIN ASSEMBLIES.

Item No.	Part Number	Description	Units Per Assy
	60133A	Guard Assy - Clutch	1
1	62057	. Screw - Fil hd 1/4-28 x 3-1/2	1
2	52207C	. Nut - Bar adjusting	1
3	100004	. Washer	1
4	105686	. Key - Cotter	1
5	60134	. Guard - Clutch	1
6	-64935	Bar Plate	2

Item No.	Part Number	Description	Units Per Assy
7		Bar	1
8		Typical McCulloch Chain Assy	1
9		. Rivet	1
10		. Side Link	1
11		. Cutter - Left side	1
12		. Cutter - Right side	1
13		. Center Link	1

TOOLS AND ACCESSORIES.

Part Number	Description
51445A	Wrench & Screwdriver Combination
36248	Wrench - Spark plug
-68120	Owner's Manual of Operating Instructions
57600A	Drive Unit Accessory
-62046	Kit - Brushcutter Attachment
-62045	Kit - Weedcutter Attachment
50275A	Earth Drill Attachment
25074B	Auger Assy - 6 inch
25075B	Auger Assy - 9 inch
61330	Kit - Spike 5-tooth
61331	Kit - Spike 4-tooth
-64788	Kit - Spike 5-tooth (inboard)

Part Number	Description
63165	Spark Arrester Assembly
61545A	Baffle - Spark Arrester
-65712	Timing Guide
58886A	Piston Assy 0.020 in. oversize
58889	. Ring Set 0.020 in. oversize (0.062 in. wide)
101206	. Bearing
104378	. Bearing (closed end)
58890A	Piston Assy 0.030 in. oversize
58893	. Ring Set 0.030 in. oversize (0.062 in. wide)
101206	. Bearing
104378	. Bearing (closed end)