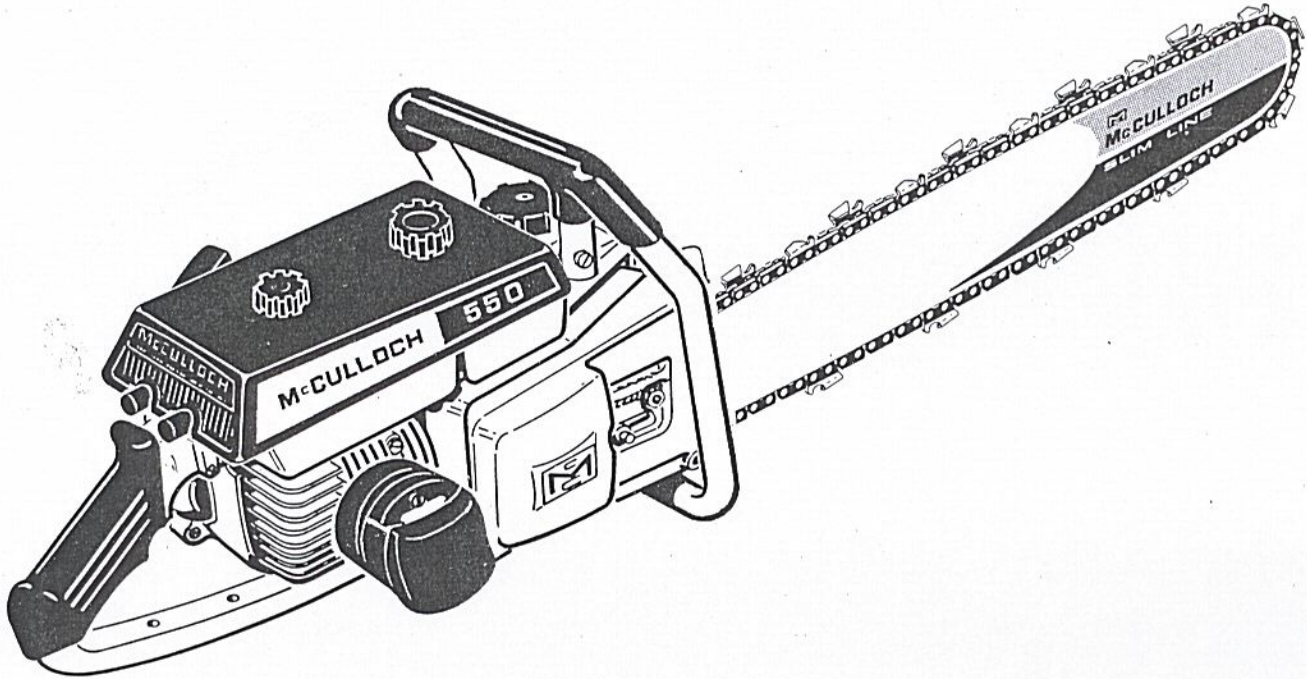


ILLUSTRATED PARTS LIST

JANUARY 1966



The following pages contain an illustrated parts list for the Model 550 Chain Saw. Due to small differences between saws, it is important that the Serial Number of your saw be included whenever spare parts are ordered.

| | Page |
|--|------|
| Figure 1. Engine Exploded View - General | 2 |
| Figure 2. Starter and Crankcase Cover Assemblies | 4 |
| Figure 3. Oiler Tank and Fuel Tank Assemblies | 6 |
| Figure 4. Cover and Airbox Assemblies | 8 |
| Figure 5. McCulloch Carburetor Assembly | 10 |
| Figure 6. Powerhead Assembly | 12 |
| Figure 7. Clutch Guard - Bar and Chain Assembly | 14 |

McCULLOCH CORPORATION

6101 West Century Boulevard, Los Angeles, California 90045

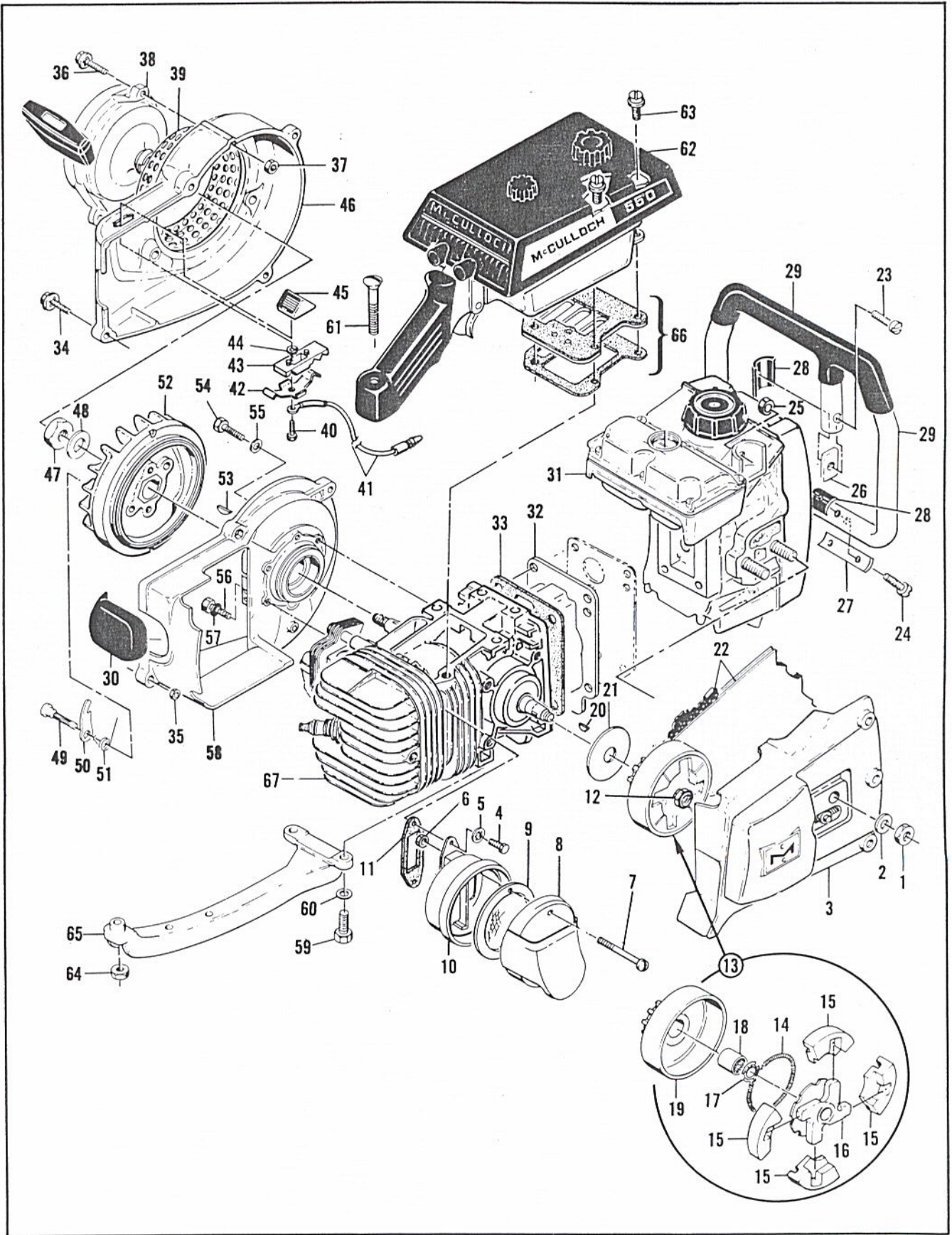


Figure 1. Engine Exploded View - General

FIGURE 1. ENGINE EXPLODED VIEW—GENERAL.

| Index No. | Part Number | Nomenclature | Units Per Assy |
|-----------|-------------|--|----------------|
| 1 | 103729 | Nut - Hex 3/8-24 | 2 |
| 2 | 100006 | Washer - Plain 3/8 in. | 2 |
| 3 | | Guard Assy - Clutch (See Figure 7) | 1 |
| 4 | 102388 | Screw - Hex hd 10-24 x 5/8 in. lg. | 2 |
| 5 | 103100 | Lockwasher - No. 10 internal | 2 |
| | 63910 | Spark Arrester Assy | 1 |
| 6 | 101191 | . Nut - Hex 10-24 | 2 |
| 7 | 110371 | . Screw - Fil hd 10-24 x 1-5/8 in. lg. | 2 |
| 8 | 53205B | . Top Assy - Spark arrester | 1 |
| 9 | *51968 | . Baffle | 1 |
| 10 | 63911 | . Bottom Assy - Spark arrester | 1 |
| 11 | 53652 | Gasket - Spark arrester | 1 |
| 12 | 103746 | Nut - Flexloc | 1 |
| 13 | | Clutch, Sprocket, Drum and Bearing Assy | 1 |
| | 60315 | Clutch Assy | 1 |
| 14 | 51468A | . Spring - Clutch | 1 |
| 15 | 51464A | . Shoe - Clutch | 4 |
| 16 | 60316 | . Rotor Assy - Clutch | 1 |
| 17 | 103718 | Spring - Thrust | 1 |
| | 51774B | Sprocket, Drum and Bearing Assy | 1 |
| 18 | 103688 | . Bearing - Needle | 1 |
| 19 | 51775B | . Sprocket and Drum Assy | 1 |
| 20 | 103879 | Key - Woodruff | 1 |
| 21 | 51420 | Washer - Sprocket Assy | 1 |
| 22 | | Bar and Chain Assy (See Figure 7) | 1 |
| 23 | 103267 | Screw - Fil hd 1/4-20 x 1 in. lg. | 1 |
| 24 | 102130 | Screw - Hex hd 1/4-20 x 1-1/2 in. lg. | 2 |
| 25 | 101143 | Nut - Hex 1/4-20 | 3 |
| 26 | 57133 | Saddle - Frame | 1 |
| 27 | 50215 | Clamp - Frame | 1 |
| 28 | 62244 | Insulator - Frame | 3 |
| 29 | 61446A | Frame and Grip Assy | 1 |
| 30 | 57565 | Cover Assy - Spark plug | 1 |
| 31 | | Oiler Tank and Fuel Tank Assy (See Figure 3) | 1 |
| 32 | 60251A | Cover - Crankcase bottom | 1 |
| 33 | 58166A | Gasket - Bottom | 1 |
| 34 | 104815 | Screw - Hex hd 10-24 x 7/8 in. lg. (SEMS) | 4 |
| 35 | 101326 | Nut - Hex 10-24 | 2 |
| 36 | 104815 | Screw - Hex hd 10-24 x 7/8 in. lg. (SEMS) | 3 |
| 37 | 101191 | Nut - Hex 10-24 | 3 |
| 38 | 60130 | Starter Assy (See Figure 2) | 1 |
| 39 | 50581A | Guard - Sawdust | 1 |
| | 53488 | Fan Housing Assy | 1 |
| 40 | 103672 | . Screw - Hex hd 8-32 x 1/2 in. lg. | 1 |
| 41 | 53490 | . Wire Assy - Stop switch | 1 |
| 42 | 59592 | . Contact - Switch | 1 |
| 43 | 59591 | . Base - Switch | 1 |
| 44 | 100057 | . Lockwasher - No. 8 internal | 1 |
| 45 | 57718 | . Button - Switch | 1 |
| 46 | | . Housing - Fan (Order Fan Housing Assy #53488) | 1 |
| 47 | 101179 | Nut - Hex 7/16 in. | 1 |
| 48 | 101270 | Washer - Special | 1 |
| | 58274B | Flywheel and pawl assy | 1 |
| 49 | 36144B | . Pin - Starter pawl | 2 |
| 50 | 24093 | . Pawl - Starter | 2 |
| 51 | 50582 | . Spring - Pawl | 2 |
| 52 | | Flywheel Assy (Order Flywheel and Pawl Assy #58274B) | 1 |
| 53 | 103879 | Key - Woodruff | 1 |
| 54 | 102289 | Screw - Hex hd 10-24 x 3/4 in. lg. | 4 |
| 55 | 102189 | Washer - Plain #10 | 3 |
| | *61545A | Baffle - Spark arrester (alternate) | 1 |

This list is continued on page 5

MODEL 550

(P/N 63450)

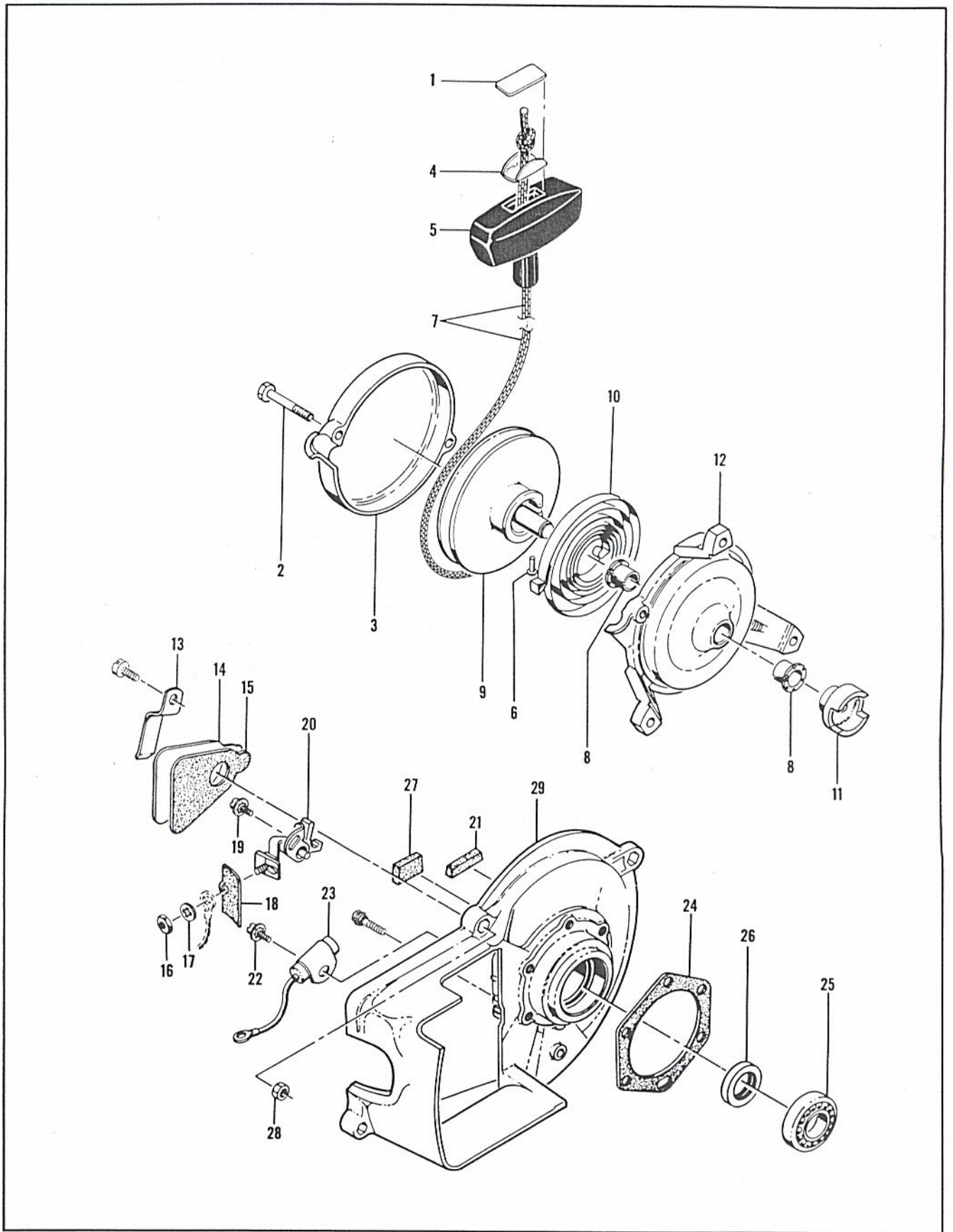


Figure 2. Starter and Crankcase Assemblies

FIGURE 1. ENGINE EXPLODED VIEW—GENERAL. (CONT)

| Index No. | Part Number | Nomenclature | Units Per Assy |
|-----------|-------------|--|----------------|
| 56 | 55494 | Screw Assy Sealing #10 | 2 |
| 57 | 55492 | . Washer - Sealing #10 | 2 |
| 58 | 57126A | Crankcase Cover Assy (See Figure 2) | 1 |
| 59 | 100882 | Screw - Hex hd 1/4-20 x 3/4 in. lg. | 2 |
| 60 | 100004 | Washer - Plain 1/4 in. | 2 |
| 61 | 104435 | Screw - Oval hd 10-24 x 1-3/4 in. lg. | 1 |
| 62 | | Cover and Airbox Assy (See Figure 4) | 1 |
| 63 | 110127 | Screw - Hex hd 10-24 x 7/8 in. lg. (SEMS) | 4 |
| 64 | 101191 | Nut - 10-24 | 1 |
| 65 | 50041 | Brace - Handle | 1 |
| 66 | | Reed Plate Assy and Insulator (See Figure 4) | 1 |
| 67 | | Powerhead Assy (See Figure 6) | 1 |

FIGURE 2. STARTER AND CRANKCASE COVER ASSEMBLIES.

| Index No. | Part Number | Nomenclature | Units Per Assy |
|-----------|-------------|--|----------------|
| | 60130 | Starter Assy | 1 |
| 1 | 57232 | . Plate - Starter handle | 1 |
| 2 | 104396 | . Screw - Pan hd 10-24 x 3/4 in. lg | 2 |
| 3 | 60647 | . Cover - Starter | 1 |
| 4 | 57231 | . Cup - Starter handle | 1 |
| 5 | 57230 | . Handle - Starter | 1 |
| 6 | 101136 | . Rivet | 1 |
| 7 | 28716 | . Rope - Starter | 1 |
| 8 | 57535 | . Bushing - Starter base | 2 |
| 9 | 57792 | . Drum - Starter | 1 |
| 10 | 51665 | . Spring - Rewind | 1 |
| 11 | 57790 | . Ratchet - Starter | 1 |
| 12 | 60646 | . Base - Starter | 1 |
| 13 | 50671 | Retainer - Breaker box cover | 1 |
| 14 | 50588A | Cover - Breaker box | 1 |
| 15 | 50589A | Gasket - Breaker box | 1 |
| 16 | 100251 | Nut - Hex 8-32 | 1 |
| 17 | 100057 | Lockwasher - No. 8 internal | 1 |
| 18 | 50381A | Insulator - Breaker terminal | 1 |
| 19 | 103672 | Screw - 8-32 x 1/2 in. lg (SEMS) | 1 |
| 20 | 50076A | Breaker Assy | 1 |
| 21 | 50664 | Felt - Breaker box | 1 |
| 22 | 103672 | Screw - 8-32 x 1/2 in. lg (SEMS) | 1 |
| 23 | 50074 | Condenser | 1 |
| 24 | 51240 | Gasket - Crankcase | 1 |
| 25 | 100824 | Bearing - Ball | 1 |
| | 57126A | Crankcase Cover Assy | 1 |
| 26 | 50663 | . Seal - Oil | 1 |
| 27 | 54184 | . Wiper - Felt | 1 |
| 28 | 101326 | . Nut - Hex 10-24 | 2 |
| 29 | | . Cover - Crankcase (Order Crankcase Cover Assy #57126A) | 1 |

MODEL 550

(P/N 63450)

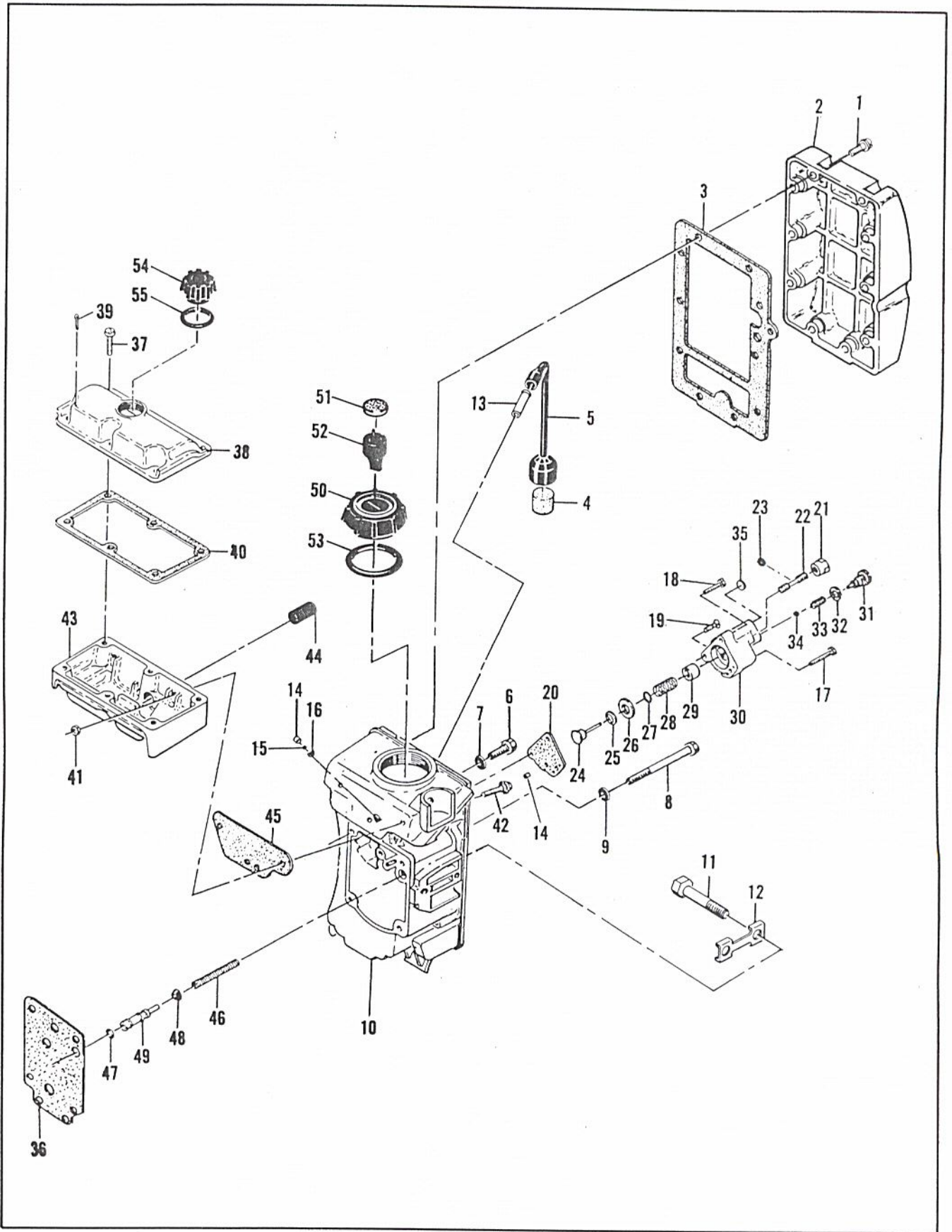


Figure 3. Oiler Tank and Fuel Tank Assemblies

FIGURE 3. OILER TANK AND FUEL TANK ASSEMBLIES

MODEL 550
(P/N 63450)

| Index No. | Part Number | Nomenclature | Units Per Assy |
|--------------|----------------|---|-------------------|
| 1 | 104396 | Screw - Pan hd 10-24 x 3/4 in. lg. | 10 |
| 2 | 60781 | Cover - Fuel tank | 1 |
| 3 | 50034B | Gasket - Fuel tank cover | 1 |
| 4 | 50124A | Filter - Fuel | 1 |
| 5 | 50082 | Hose - Flex | 1 |
| 6 | 57840 | Screw Assy - Sealing | 3 |
| 7 | 50261 | . Washer - Sealing 1/4 in. | 1 |
| 8 | 50569 | Screw Assy - Sealing | 1 |
| 9 | 50261 | . Washer - Sealing 1/4 in. | 1 |
| 10 | 62154A | Fuel Tank Assy | 1 |
| 11 | 61437 | . Bolt - Bar mounting | 2 |
| 12 | 51439 | . Lockplate | 1 |
| 13 | 28042 | . Tube - Fuel hose | 1 |
| 14 | 62216 | . Seat - Ball | 2 |
| 15 | 100071 | . Ball | 1 |
| 16 | 110327 | . Ring - Retaining | 1 |
| 17 | 110257 | Screw - Hex hd 10-24 x 1-3/4 in. lg. (SEMS) | 1 |
| 18 | 110127 | Screw - Hex hd 10-24 x 7/8 in. lg. (SEMS) | 1 |
| 19 | 110245 | Screw - Flat hd 10-24 x 3/4 in. lg. | 1 |
| 20 | 62338B | Gasket - Pulse pump | 1 |
| | 60253D | Pulse Pump Assy | 1 |
| 21 | 60976 | . Locknut - 10-24 | 1 |
| 22 | 62890 | . Screw - Set 10-24 x 1-1/4 in. lg. | 1 |
| 23 | 104001 | . "O" Ring | 1 |
| 24 | 60260A | . Piston Assy - Pulse pump | 1 |
| 25 | 60937 | . Washer - Teflon | 1 |
| 26 | 60263 | . Ring - Pulse pump | 1 |
| 27 | 101758 | . "O" Ring | 1 |
| 28 | 60259 | . Spring - Piston | 1 |
| 29 | 60258A | . Sleeve - Piston | 1 |
| 30 | 60254D | . Body Assy - Pulse pump | 1 |
| 31 | 60397A | . . Screw - Fil hd special | 1 |
| 32 | 60398B | . . Washer | 1 |
| 33 | 60396B | . . Spring - Ball check | 1 |
| 34 | 102809 | . . Ball - Steel 0.093 in. dia. | 1 |
| 35 | 110157 | . . Plug - Expansion 5/8 in. | 1 |
| 36 | 60601A | Gasket - Fuel Tank | 1 |
| 37 | 104395 | Screw - Pan hd 10-24 x 5/8 in. lg. | 6 |
| 38 | 57114A | Cover - Oil tank | 1 |
| 39 | 100010 | Pin - Cotter | 1 |
| 40 | 57152 | Gasket - Oil tank cover | 1 |
| 41 | 101326 | Nut - Hex 10-24 | 3 |
| 42 | 55494 | Screw Assy - Sealing | 3 |
| 43 | 57112A | Tank - Oiler | 1 |
| 44 | 57279 | Screen - Oiler | 1 |
| 45 | 57147 | Gasket - Oiler tank | 1 |
| 46 | 18349B | Spring - Oiler piston | 1 |
| 47 | 101056 | "O" Ring | 1 |
| 48 | 24104A | Cup - Oiler piston | 1 |
| 49 | 63122 | Piston - Oiler | 1 |
| 50 | 55934B | Fuel Cap Assy | 1 |
| 51 | 55063 | . Filter - Fuel cap | 1 |
| 52 | 53766A | . Valve - Fuel cap | 1 |
| 53 | 101348 | "O" Ring | 1 |
| 54 | 57129A | Cap - Oil filler | 1 |
| 55 | 101148 | "O" Ring | 1 |

MODEL 550

(P/N 63450)

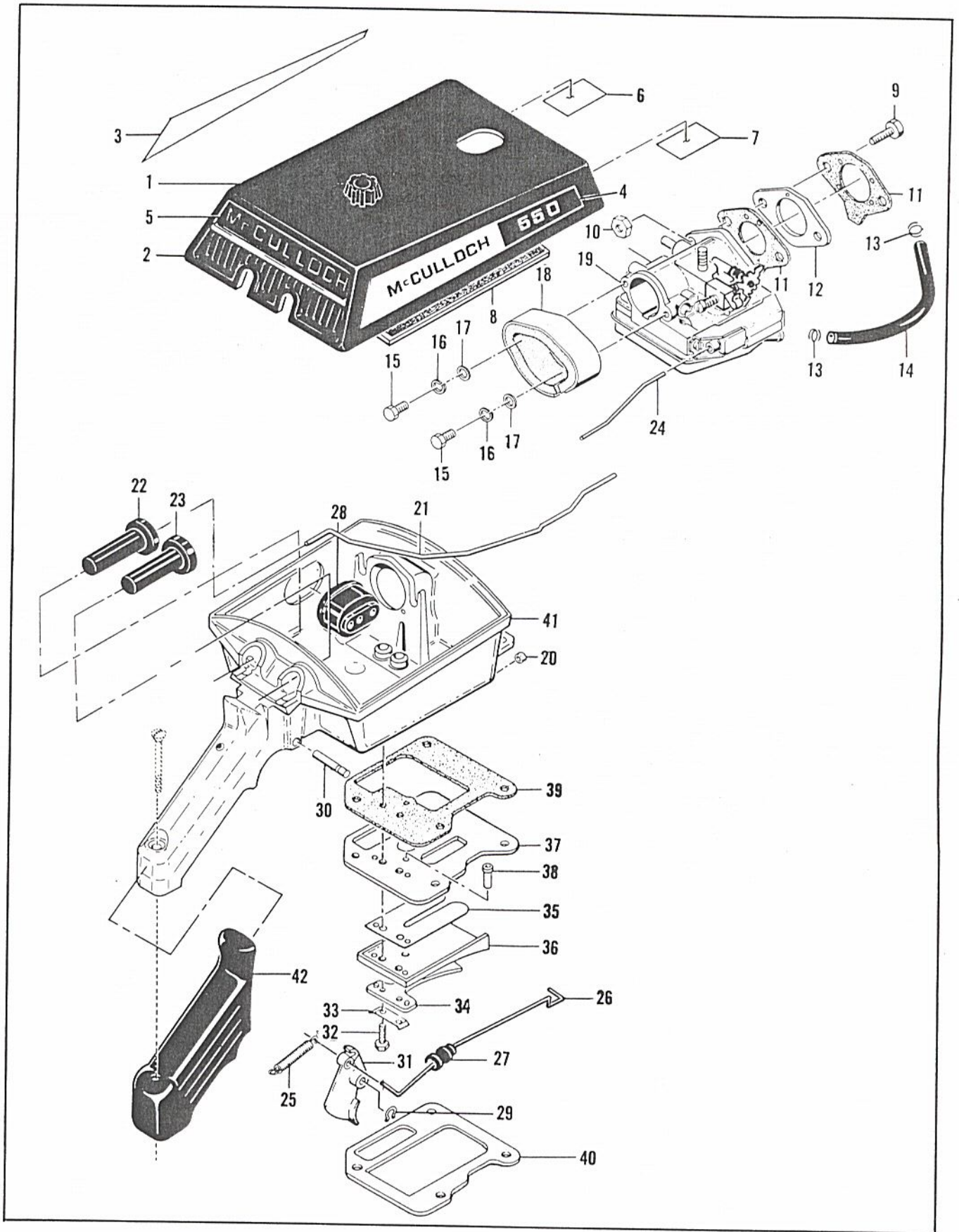


Figure 4. Cover and Airbox Assemblies

FIGURE 4. COVER AND AIRBOX ASSEMBLIES.

| Index No. | Part Number | Nomenclature | Units Per Assy |
|-----------|-------------|---|----------------|
| | 61466 | Cover Assy - Air cleaner | 1 |
| 1 | 61458A | . Knob - Air cleaner cover | 1 |
| 2 | | . Cover - Air cleaner (Order Assy #61466) | 1 |
| 3 | 63860 | Nameplate - L.H. | 1 |
| 4 | 63861 | Nameplate - R.H. | 1 |
| 5 | 63859 | Trim - Air cleaner cover | 1 |
| 6 | 63863 | Label - Starting instructions | 1 |
| 7 | 63862 | Label - Fuel mix. | 1 |
| 8 | 63453 | Screen - Air cleaner | 1 |
| 9 | 60208 | Screw - Hex hd 1/4-20 x 7/8 in. lg. | 2 |
| 10 | 103242 | Nut - Hex 10-24. | 2 |
| 11 | 50123C | Gasket - Carburetor | 2 |
| 12 | 53189 | Adapter - Carburetor | 1 |
| 13 | 50742 | Clamp - Fuel hose | 2 |
| 14 | 50097 | Hose - Fuel | 1 |
| 15 | 103705 | Screw - Hex hd 10-32 x 9/16 in. lg. | 2 |
| 16 | 103174 | Lockwasher No. 10 | 2 |
| 17 | 102189 | Washer - Plain #10 | 2 |
| 18 | 58922A | Collector Assy - Fuel | 1 |
| 19 | 61853A | Carburetor Assy (See Figure 5) | 1 |
| 20 | 55449A | Seal - Oiler pushrod | 1 |
| 21 | 57866A | Pushrod - Oiler | 1 |
| 22 | 50591B | Button - Oiler | 1 |
| 23 | 50591B | Button - Primer. | 1 |
| 24 | 53589A | Pushrod - Primer | 1 |
| | 62488 | Airbox Assy | 1 |
| 25 | 36499 | . Spring - Throttle | 1 |
| 26 | 61106 | . Rod - Throttle | 1 |
| 27 | 60237 | . Grommet - Throttle rod | 1 |
| 28 | 53277 | . Grommet - Carburetor controls | 1 |
| 29 | 104501 | . Retainer - Trigger pin | 1 |
| 30 | 50507 | . Pin | 1 |
| 31 | 50091B | . Trigger | 1 |
| 32 | 103740 | . Screw - Hex hd 8-32 x 5/8 in. lg. | 2 |
| 33 | 51480 | . Plate - Lock | 1 |
| 34 | 57658A | . Clamp - Reed | 1 |
| 35 | 48593 | . Valve - Reed | 1 |
| 36 | 53686A | . Deflector - Fuel | 1 |
| 37 | 53685C | . Plate - Reed | 1 |
| 38 | 63067 | . Tube - Reed plate | 1 |
| 39 | 57145A | . Gasket - Airbox | 1 |
| 40 | 62834 | . Insulator - Reed plate | 1 |
| 41 | | . Airbox (Order Airbox Assy #62488) | 1 |
| 42 | 57834 | Grip - Handle | 1 |

MODEL 550

(P/N 63450)

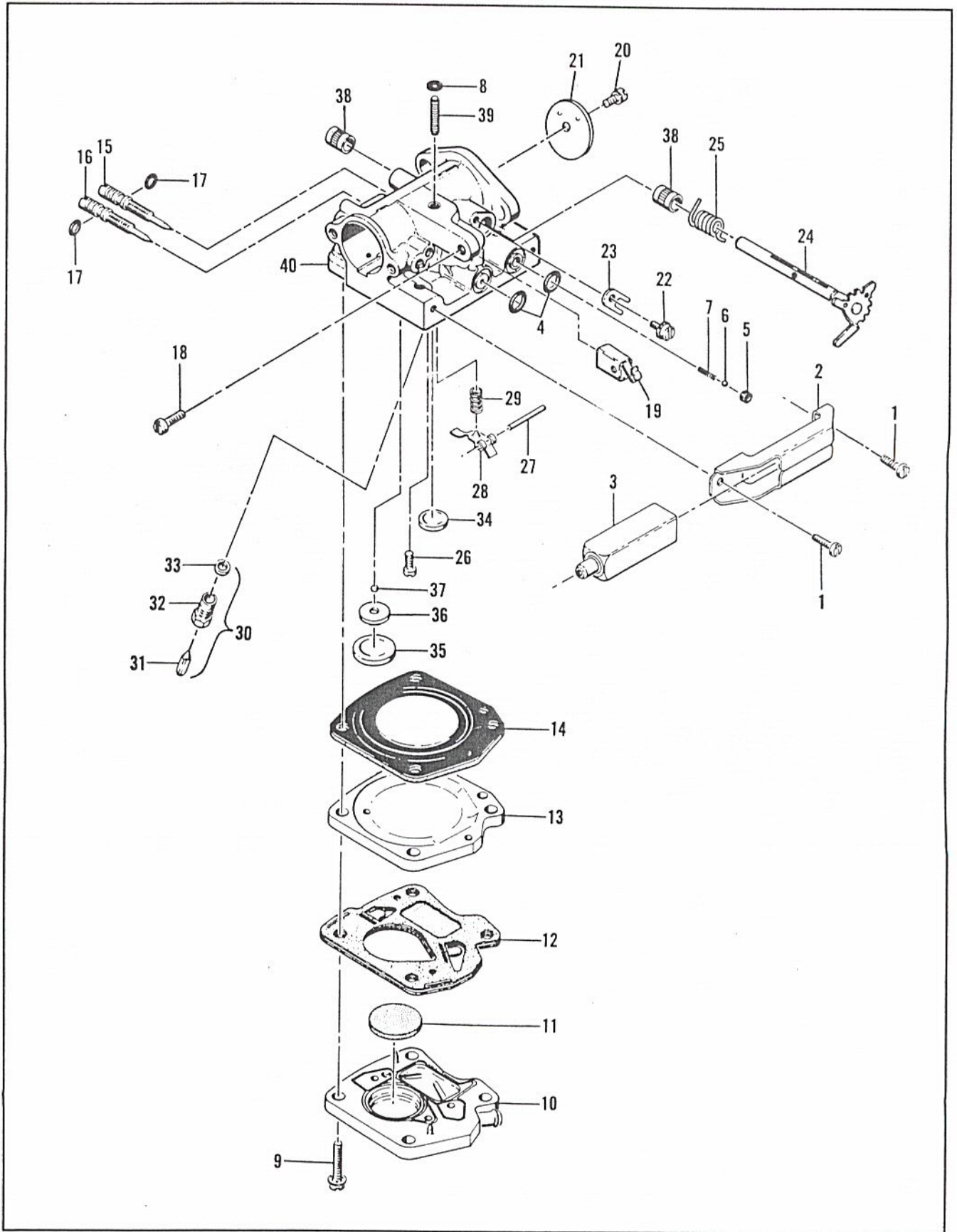


Figure 5. Carburetor Assembly

FIGURE 5. CARBURETOR ASSEMBLY.

| Index No. | Part Number | Nomenclature | Units Per Assy |
|-----------|-------------|--|----------------|
| | 61853A | Carburetor Assy | 1 |
| 1 | 110054 | . Screw - Pan hd 6-32 x 3/8 in. lg. | 2 |
| 2 | 53440 | . Bracket - Primer mounting | 1 |
| 3 | 53449 | . Primer Assy | 1 |
| 4 | 101056 | . "O" Ring | 2 |
| 5 | 59480 | . Seat - Primer valve | 1 |
| 6 | 100302 | . Ball - Steel 1/8 in. | 1 |
| 7 | 28754 | . Spring - Primer | 1 |
| 8 | 100283 | . Grommet | 1 |
| 9 | 104520 | . Screw - 10-24 x 7/8 in. lg. (SEMS) | 4 |
| 10 | 57667 | . Body Assy - Fuel pump | 1 |
| 11 | 57277 | . Filter - Fuel pump | 1 |
| 12 | 57274B | . Diaphragm Assy - Fuel pump | 1 |
| 13 | 48901 | . Plate - Carburetor diaphragm | 1 |
| 14 | 55067C | . Diaphragm - Carburetor | 1 |
| 15 | 53948 | . Needle - Idle adjustment | 1 |
| 16 | 53311 | . Needle - Main adjustment | 1 |
| 17 | 104001 | . "O" Ring | 2 |
| 18 | 62910 | . Screw - Idle adjusting | 1 |
| 19 | 61108 | . Guide - Throttle rod | 1 |
| 20 | 104814 | . Screw - 4-40 x 1/4 in. lg. (SEMS) | 1 |
| 21 | 61360 | . Plate - Throttle | 1 |
| 22 | 110055 | . Screw - 8-32 x 3/8 in. lg. (SEMS) | 1 |
| 23 | 55082 | . Clip - Shaft | 1 |
| 24 | 61854A | . Shaft Assy - Throttle | 1 |
| 25 | 61858 | . Spring - Idle governor | 1 |
| 26 | 104164 | . Screw - Pan hd 4-40 x 1/4 in. lg. | 1 |
| 27 | 104305 | . Pin - Lever | 1 |
| 28 | 55688 | . Lever - Inlet control | 1 |
| 29 | 57172 | . Spring - Inlet control | 1 |
| 30 | 60163A | . Valve Set - Needle and body | 1 |
| 31 | 63038 | . Needle - Inlet control | 1 |
| 32 | 58969 | . Body - Needle valve | 1 |
| 33 | 55689 | . Washer - Needle valve | 1 |
| | 61364 | . Body Assy - Carburetor | 1 |
| 34 | 102758 | . Plug - Expansion 1/2 in. | 1 |
| 35 | 104407 | . Plug - Expansion 1 in. | 1 |
| | 61155 | . Set - Ball and seat | 1 |
| 36 | 61152 | . Seat - Ball | 1 |
| 37 | 61151 | . Ball - Nylon 3/32 in. | 1 |
| 38 | 55062A | . Bushing - Body | 2 |
| 39 | 48611 | . Stud | 1 |
| 40 | | . Body (Order Body Assy #61364) | 1 |

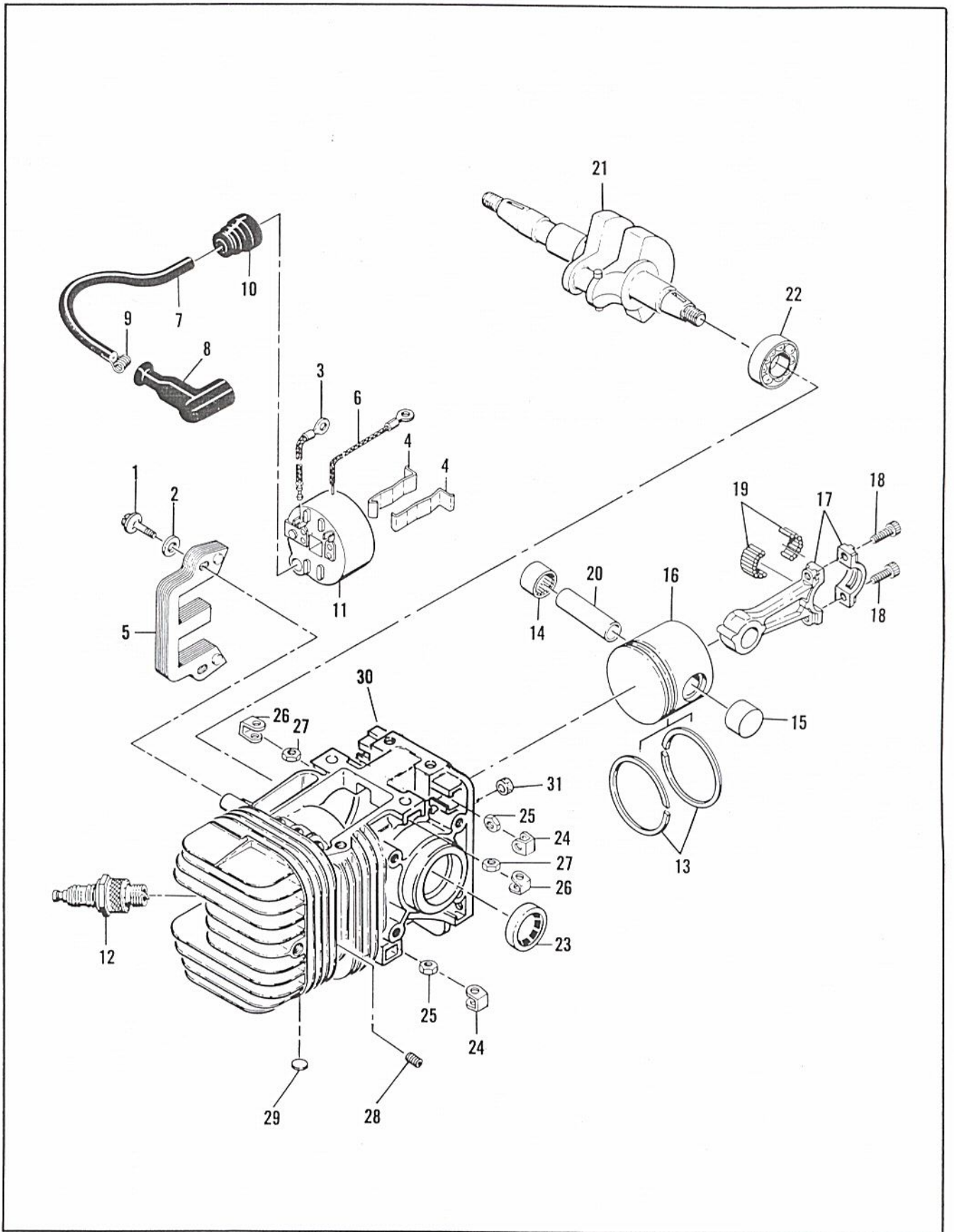


Figure 6. Powerhead Assembly

FIGURE 6. POWERHEAD ASSEMBLY.

| Index No. | Part Number | Nomenclature | Units Per Assy |
|-----------|-------------|--|----------------|
| 1 | 104815 | Screw - Fil hd 10-24 x 7/8 in. lg. | 2 |
| 2 | 102189 | Washer - Plain #10 | 2 |
| 3 | 57225 | Wire Assy - Primary | 1 |
| 4 | 51253 | Retainer - Coil | 2 |
| 5 | 51251 | Lamination Assy | 1 |
| | 55949A | Coil and Terminal Assy | 1 |
| 6 | 101883 | . Wire Assy - Ground | 1 |
| 7 | 52547 | . Wire Assy - Spark plug | 1 |
| 8 | 55060 | . . Boot - Spark plug | 1 |
| 9 | 55061 | . . Connector | 1 |
| 10 | 55617 | . Nipple - Spark plug wire | 1 |
| 11 | | . Coil Assy (Order Coil and Terminal Assy #55949A) | 1 |
| 12 | | Spark Plug 14MM | 1 |
| | 58878A | Piston Assy (2.165-in. dia.) | 1 |
| 13 | 58881 | . Ring Set - Piston (0.062-in. wide) | 1 |
| 14 | 101206 | . Bearing | 1 |
| 15 | 104378 | . Bearing (closed end) | 1 |
| 16 | | . Piston (Order Piston Assy #58878A) | 1 |
| 17 | 47903 | Connecting Rod Assy | 1 |
| 18 | 60210A | . Screw - Socket hd 10-32 x 5/8 in. lg. | 2 |
| 19 | 102742 | . Roller - Needle | 24 |
| 20 | 62831 | Pin - Piston | 1 |
| 21 | 63440 | Crankshaft | 1 |
| 22 | 100824 | Bearing - Ball | 1 |
| | 63436 | Crankcase Assy | 1 |
| 23 | 104432 | . Seal - Oil | 1 |
| 24 | 18556A | . Retainer - Nut | 6 |
| 25 | 105394 | . Nut - Hex 1/4-20 | 6 |
| 26 | 28053 | . Retainer - Nut | 2 |
| 27 | 101326 | . Nut - Hex 10-24 | 2 |
| 28 | 110034 | . Insert - Taplok | 2 |
| 29 | 110179 | . Plug - Expansion | 3 |
| 30 | | . Crankcase (Order Crankcase Assy #63436) | 1 |
| 31 | 57736 | Seal - Pushrod | 1 |

OVERSIZE PISTON ASSEMBLY

| Part Number | Nomenclature | Units Per Assy |
|-------------|--|----------------|
| 58886A | Piston Assy 0.020 in. oversize | 1 |
| 58889 | . Ring Set 0.020 in. oversize (0.062-in. wide) | 1 |
| 101206 | . Bearing | 1 |
| 104378 | . Bearing (closed end) | 1 |
| 58890A | Piston Assy 0.030 in. oversize | 1 |
| 58893 | . Ring Set 0.030 in. oversize (0.062-in. wide) | 1 |
| 101206 | . Bearing | 1 |
| 104378 | . Bearing (closed end) | 1 |

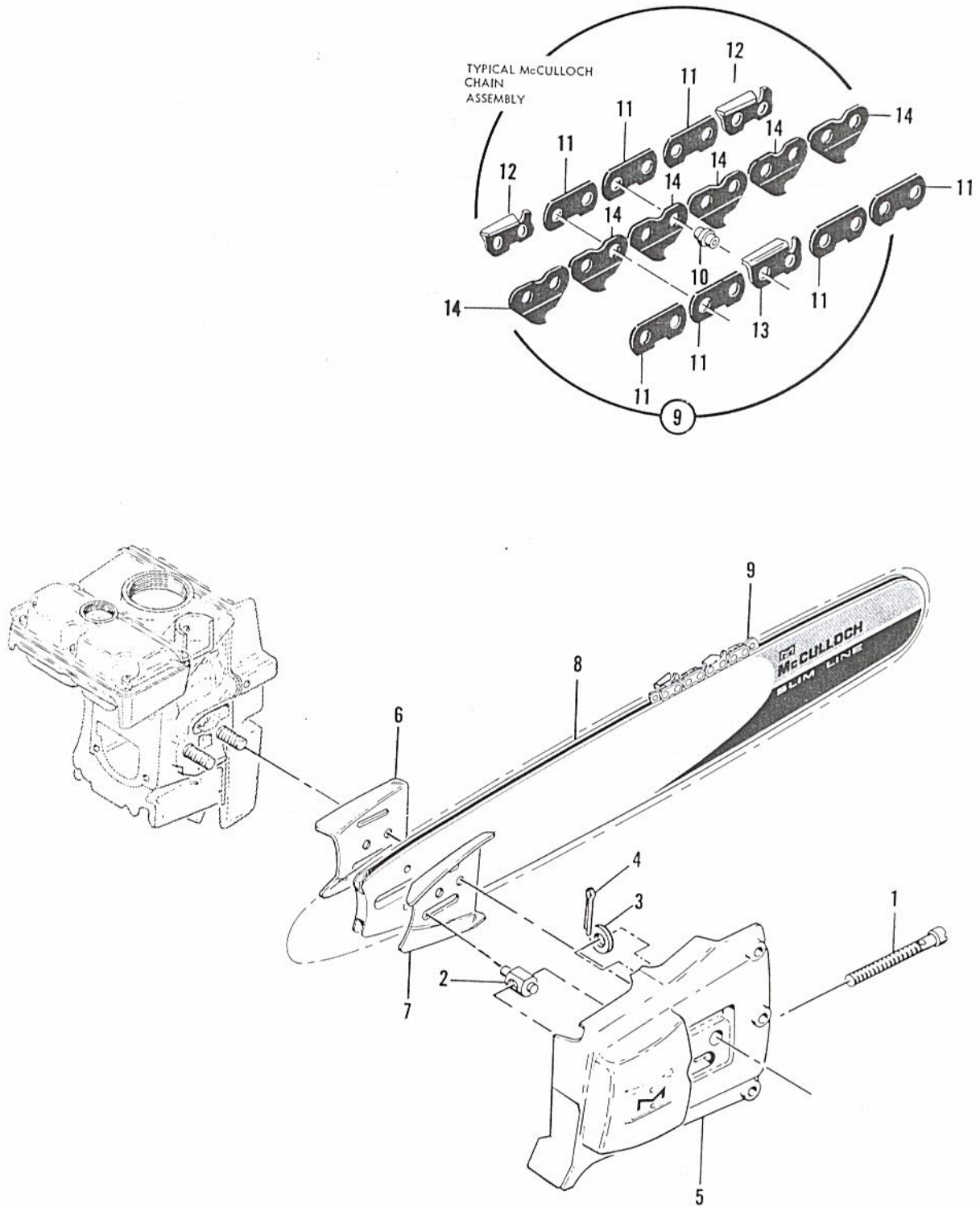


Figure 7. Clutch Guard - Bar and Chain Assemblies

FIGURE 7. CLUTCH GUARD—BAR AND CHAIN ASSEMBLIES.

| Index No. | Part Number | Nomenclature | Units Per Assy |
|-----------|-------------|---|----------------|
| | 60133A | Guard Assy - Clutch | 1 |
| 1 | 62057 | . Screw - Fil hd 1/4-28 x 3-1/2 in. lg. | 1 |
| 2 | 52207C | . Nut - Bar adjusting | 1 |
| 3 | 100004 | . Washer | 1 |
| 4 | 105686 | . Key - Cotter | 1 |
| 5 | 60134 | . Guard - Clutch | 1 |
| | 61994 | Set - Bar plates | 1 |
| 6 | 61995 | . Plate - Bar (L.H.) | 1 |
| 7 | 61996 | . Plate - Bar (R.H.) | 1 |
| 8 | 62537 | SUPER-MAC Slimline - Bonded, Hard Faced, 15 in. | 1 |
| | 64390 | SUPER-MAC Slimline - Bonded, Hard Faced, 17 in. | 1 |
| | 64450 | SUPER-MAC Slimline - Roller nose 17 in. | 1 |
| | 62542 | SUPER-MAC Slimline - Bonded, Hard Faced, 19 in. | 1 |
| | 64274 | SUPER-MAC Slimline - Roller nose 19 in. | 1 |
| | 62547 | SUPER-MAC Slimline - Bonded, Hard Faced, 23 in. | 1 |
| | 64275 | SUPER-MAC Slimline - Roller nose 23 in. | 1 |
| | 62551 | SUPER-MAC Slimline - Bonded, Hard Faced, 27 in. | 1 |
| | 64276 | SUPER-MAC Slimline - Roller nose 27 in. | 1 |
| 9 | | Typical McCulloch Chain Assy | 1 |
| 10 | | . Rivet | 1 |
| 11 | | . Side Link | 1 |
| 12 | | . Cutter - Left side | 1 |
| 13 | | . Cutter - Right side | 1 |
| 14 | | . Center Link | 1 |

TOOLS AND ACCESSORIES.

| Part Number | Nomenclature |
|-------------|--|
| *51445A | Wrench and Screwdriver Combination |
| *63459 | Owner's Manual of Operating Instructions |
| 56625B | Chain Maintenance Manual |
| 57600A | Drive Unit Accessory |
| 57610 | Kit - Brushcutter Attachment |
| 57630 | Kit - Weedcutter Attachment |
| 50275A | Earth Drill Attachment |
| 25074B | Auger Assy - 6 inch |
| 25075B | Auger Assy - 9 inch |
| 61330 | Kit - Spike 5-tooth |
| 61331 | Kit - Spike 4-tooth |
| 63165 | Spark Arrester Assembly |

*Items furnished with each saw.