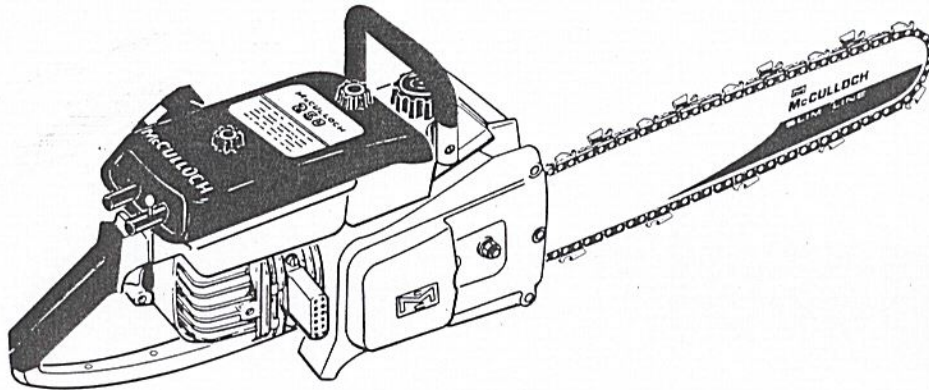


Model 250 Chain Saw

Serial Numbers Prefixed B10-

ILLUSTRATED PARTS LIST



July 1969

The policy of McCulloch Corporation is one of continual improvement in design, manufacturing and engineering advancement wherever possible to assure still finer two-cycle power tools. Hence, specifications, equipment, colors, design and manufacturer's suggested list prices are subject to change without notice and McCulloch Corporation reserves the right to make such changes without prior notification or obligation to backfit or supply backfit components for units previously shipped from the factory.

	Page
Figure 1. General Exploded View	2
Figure 2. Starter and Crankcase Cover	4
Figure 3. Oiler and Fuel Tank Assemblies	6
Figure 4. Cover and Airbox Assemblies	8
Figure 5. Carburetor	10
Figure 6. Powerhead	12
Figure 7. Clutch Guard, Bar and Chain	14



McCULLOCH

MODEL 250

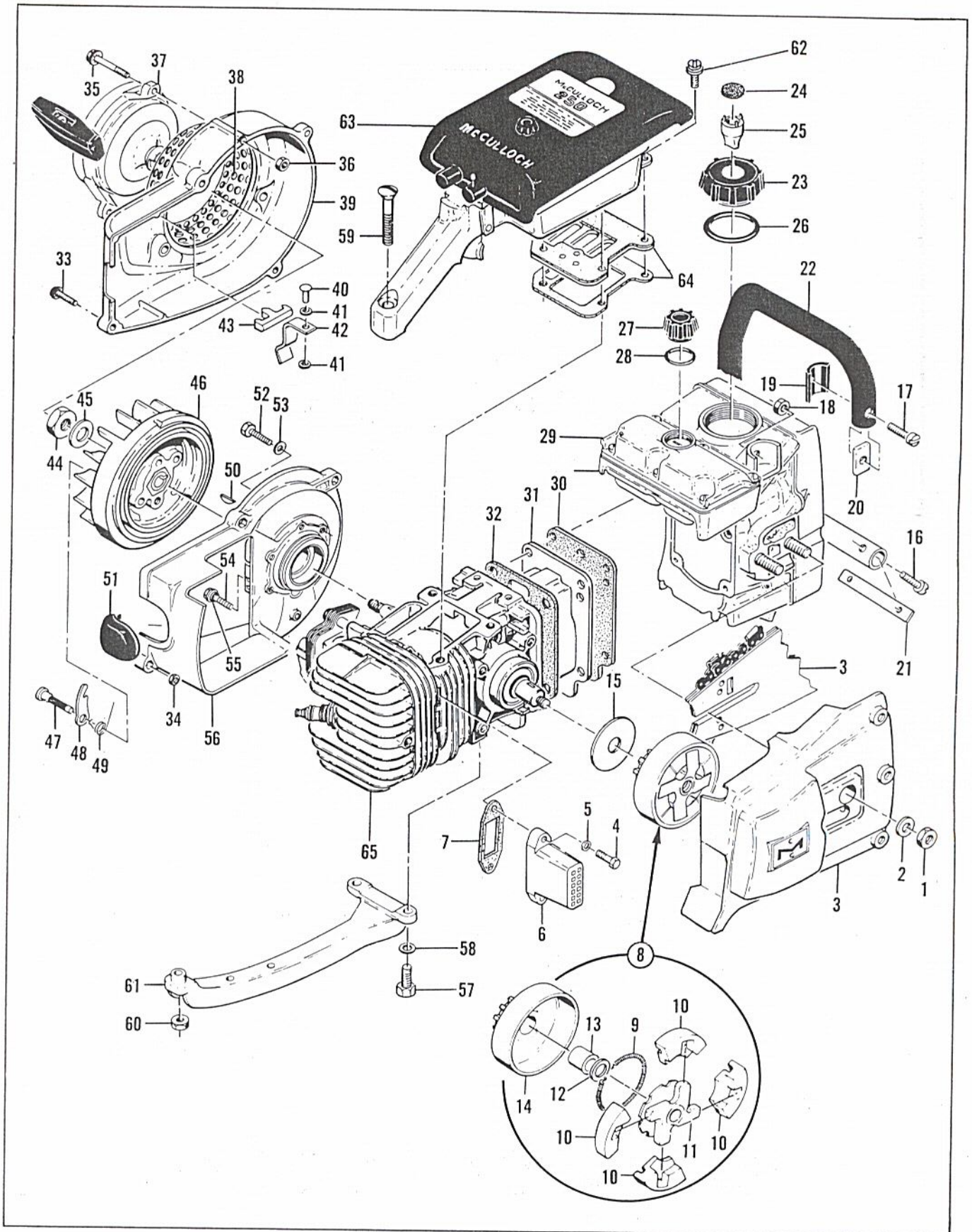


Figure 1. General Exploded View

FIGURE 1. GENERAL EXPLODED VIEW

Item No.	Part Number	Description	Units Per Assy
1	103729	Nut - Hex 3/8-24	2
2	100006	Washer - Plain 3/8	2
3		Clutch Guard, Bar & Chain (See Figure 7)	1
4	102289	Screw - Hex hd 10-24 x 3/4	2
5	103100	Lockwasher - #10 Internal	2
6	65333	Pipe - Exhaust	1
7	53652	Gasket - Exhaust	1
8		Clutch & Sprocket, Drum & Bushing Assys	1
	50060B	Clutch Assy	1
9	51468A	. Spring - Clutch shoe	1
10	51464A	. Shoe - Clutch	4
11	50144B	. Rotor Assy - Clutch	1
12	101270	Washer - Plain 7/16	1
	50129A	Sprocket, Drum & Bushing Assy	1
13	50128	. Bushing	1
14	51775B	. Sprocket & Drum Assy	1
15	50132	Washer - Sprocket Assy	1
16	105187	Screw - Fil hd 1/4-20 x 7/8	2
17	105187	Screw - Fil hd 1/4-20 x 1	1
18	101143	Nut - Hex 1/4-20	3
19	83233	Insulator - Frame	3
20	57133	Saddle - Frame	1
21	62233	Saddle - Frame	1
22	83231	Frame	1
23	55934B	Cap - Fuel	1
24	55063	. Filter - Fuel cap	1
25	53766A	. Valve - Fuel cap	1
26	101348	"O" Ring	1
27	57129A	Cap - Oiler	1
28	101148	"O" Ring	1
29		Oiler & Fuel Tank Assys (See Figure 3)	1
30	65669	Gasket - Fuel tank	1
31	53399E	Cover - Crankcase bottom	1
32	65654	Gasket - Bottom	1

Item No.	Part Number	Description	Units Per Assy
33	104815	Screw - 10-24 x 7/8 (SEMS)	4
34	101326	Nut - Hex 10-24	2
35	104815	Screw - 10-24 x 7/8 (SEMS)	3
36	101326	Nut - Hex 10-24	3
37		Starter Assy (See Figure 2)	1
38	50581A	Guard - Sawdust	1
39	57184B	Fan Housing Assy	1
40	103819	. Rivet - Oval hd 3/16 x 5/16	1
41	24236	. Washer - Special	2
42	50818	. Spring - Switch	1
43	50817	. Button - Switch	1
44	101179	Nut - Hex 7/16	1
45	101270	Washer - Special	1
46	68282	Flywheel & Pawl Assy	1
47	36144B	Pin - Pawl	2
48	24093	Pawl - Starter	2
49	50582	Spring - Pawl	2
50	103879	Key - Woodruff #3	1
51	57565	Cover Assy - Spark plug	1
52	102289	Screw - Hex hd 10-24 x 3/4	4
53	102189	Washer - Plain #10	3
54	55494	Screw - Sealing	2
55	55492	. Washer - Sealing	2
56		Crankcase Cover Assy (See Figure 2)	1
57	100882	Screw - Hex hd 1/4-20 x 3/4	2
58	100004	Washer - Plain 1/4	2
59	104435	Screw - Oval hd 10-24 x 1-3/4	1
60	101191	Nut - Hex 10-24	1
61	65332	Brace - Handle	1
62	110127	Screw - Hex hd 10-24 x 7/8 (SEMS)	2
63		Cover & Airbox Assys (See Figure 4)	1
64		Reed Plate Assy & Insulator (See Figure 4)	1
65		Powerhead Assy (See Figure 6)	1

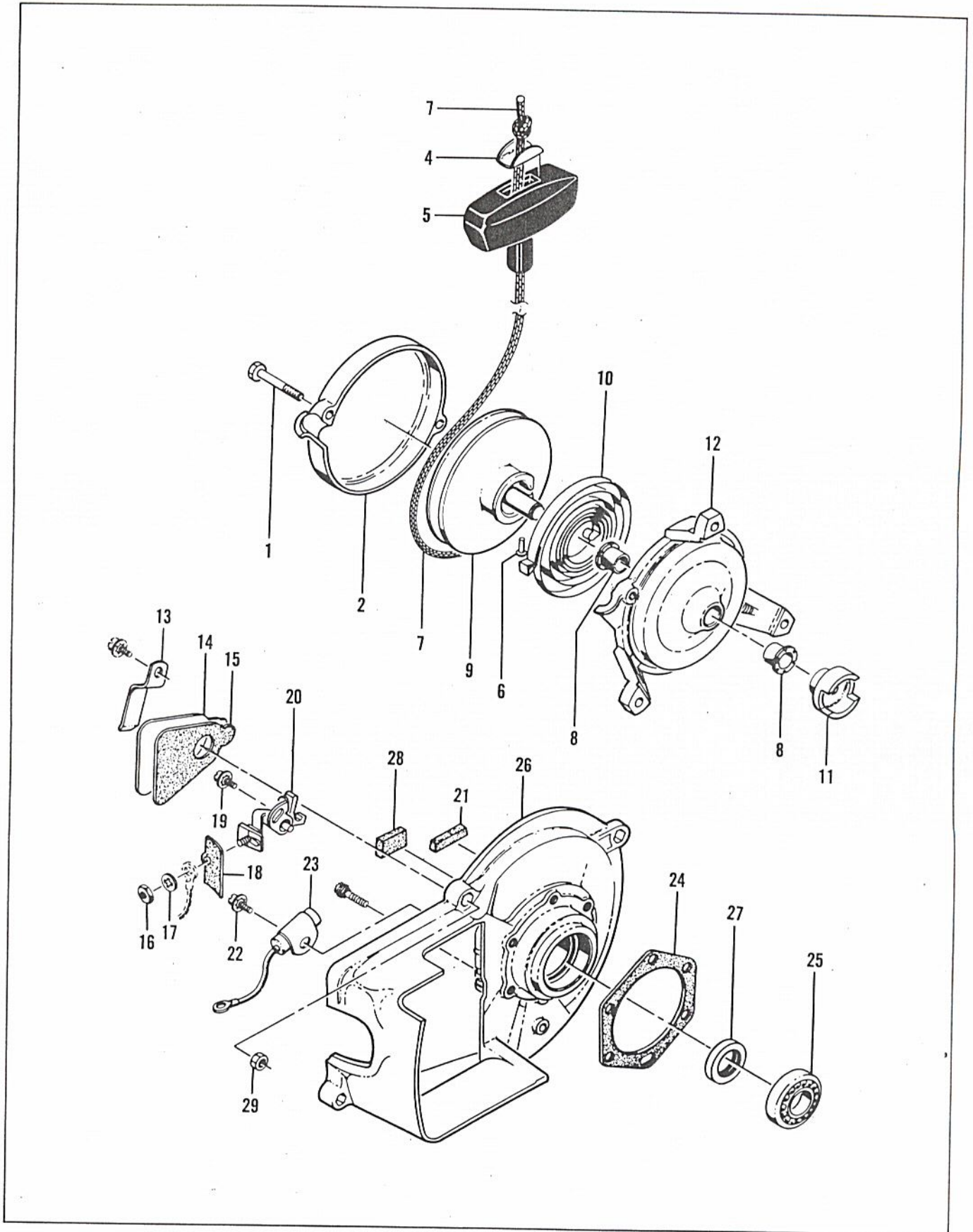


Figure 2. Starter and Crankcase Cover Assemblies

FIGURE 2. STARTER AND CRANKCASE COVER ASSEMBLIES

Item No.	Part Number	Description	Units Per Assy
	60130	Starter Assy	1
1	104396	. Screw - 10-24 x 3/4	2
2	60647	. Cover - Starter	1
3			
4	57231	. Cup - Starter handle	1
5	57230	. Handle - Starter	1
6	101136	. Rivet	1
7	28716	. Rope - Starter	1
8	57535	. Bushing	2
9	57792	. Drum - Starter	1
10	51665	. Spring - Rewind	1
11	57790	. Ratchet - Starter	1
12	60646	. Base - Starter	1
13	50671	Retainer - Breaker box cover	1
14	50588A	Cover - Breaker box	1
15	65584	Gasket - Breaker box	1

Item No.	Part Number	Description	Units Per Assy
16	100251	Nut - Hex 8-32	1
17	100057	Lockwasher - #8	1
18	50381A	Insulator - Breaker terminal	1
19	103672	Screw - Hex hd 8-32 x 1/2 (SEMS)	1
20	50076A	Breaker Assy	1
21	50664	Felt - Breaker box	1
22	103672	Screw - Hex hd 8-32 x 1/2 (SEMS)	1
23	50074	Condenser	1
24	51240	Gasket - Crankcase	1
25	100824	Bearing - Ball	1
26	57126A	Crankcase Cover Assy	1
27	50663	. Seal - Oil	1
28	54184	. Wiper - Felt	1
29	101326	. Nut - Hex 10-24	2

MODEL 250

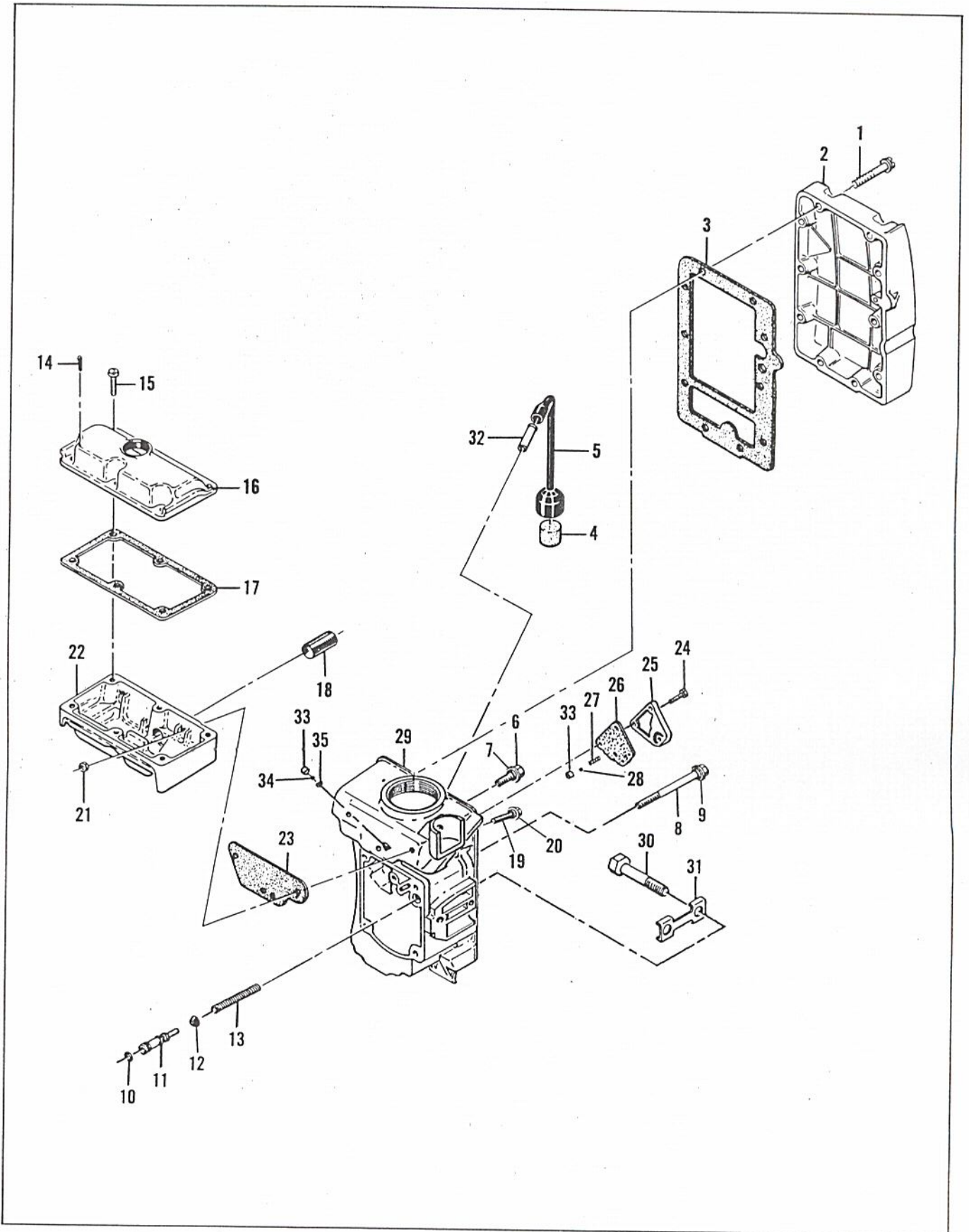


Figure 3. Oiler and Fuel Tank Assemblies

FIGURE 3. OILER TANK AND FUEL TANK ASSEMBLIES

Item No.	Part Number	Description	Units Per Assy
1	104396	Screw - Pan hd 10-24 x 3/4	10
2	68988	Cover - Fuel tank	1
3	65580	Gasket - Fuel tank	1
4	50124A	Filter - Fuel tank	1
5	50082	Hose - Fuel	1
6	57840	Screw Assy - Sealing	3
7	50261	. Washer - Sealing	3
8	50523	Screw Assy - Sealing	1
9	50261	. Washer - Sealing	1
10	101056	"O" Ring	1
11	68706	Piston - Oiler	1
12	24104A	Cup - Oiler piston	1
13	68705	Spring - Oiler	1
14	100010	Pin - Cotter 1/16 x 1/2	1
15	104395	Screw - Pan hd 10-24 x 5/8	6
16	57114A	Cover - Oil tank	1
17	57152	Gasket - Oil tank cover	1
18	57279	Screen - Oil tank	1

Item No.	Part Number	Description	Units Per Assy
19	55494	Screw Assy - Sealing	3
20	55492	. Washer - Sealing	3
21	101326	Nut - Hex 10-24	3
22	66618	Tank - Oiler	1
23	57147	Gasket - Oiler tank	1
24	103814	Screw - Hex hd 10-24 x 5/8	3
25	62339A	Plate - Pulse pump	1
26	65673	Gasket - Pulse pump	1
27	63034	Spring - Check valve	1
28	100071	Ball - Check valve	1
29	62154A	Fuel Tank Assy	1
30	61437	. Bolt - Bar mounting	2
31	51439	. Lockplate	1
32	28042	. Tube - Fuel hose	1
33	62216	. Seat - Check valve	2
34	100071	. Ball - Check valve	1
35	110327	. Ring - Ball retainer	1

MODEL 250

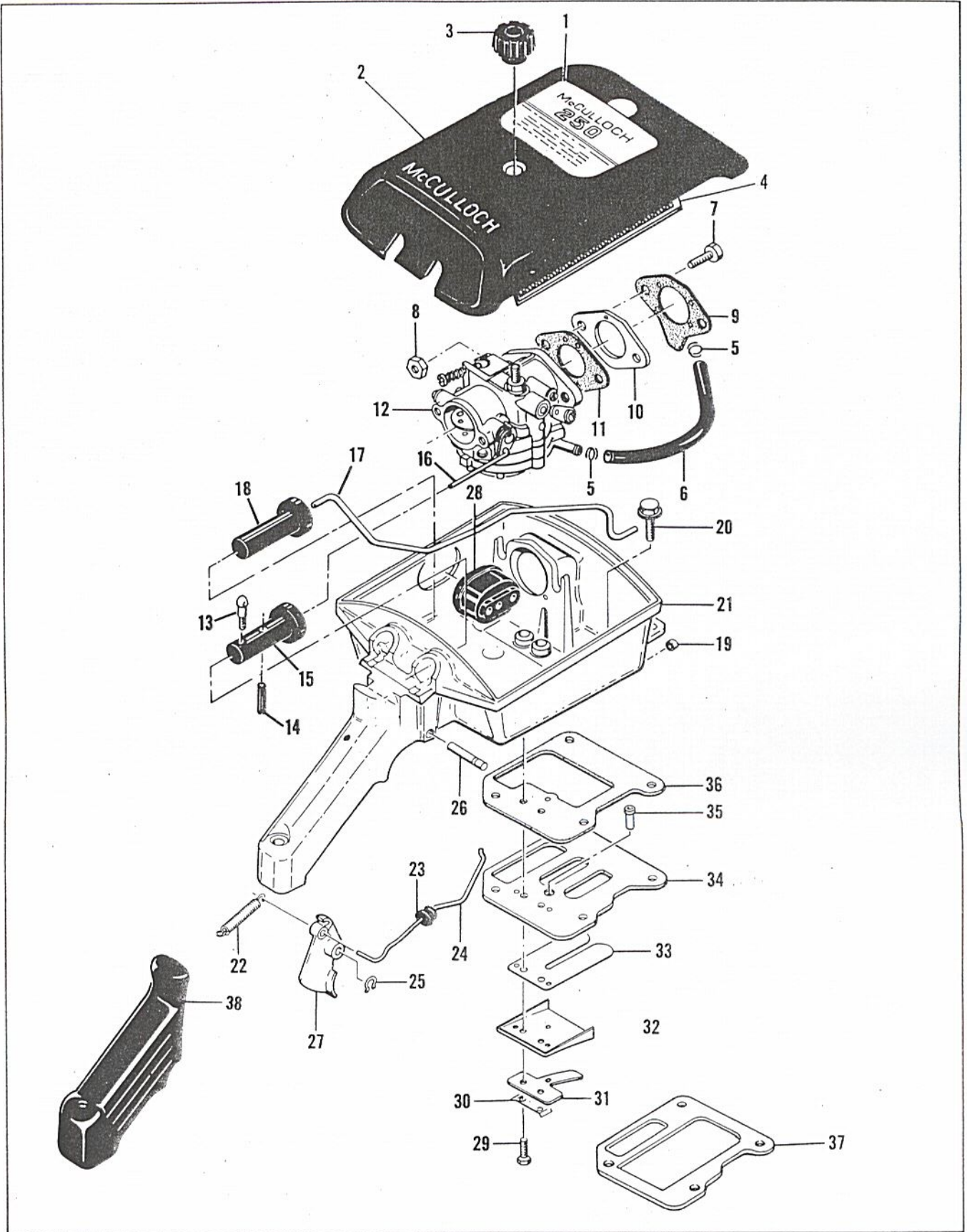


Figure 4. Cover and Airbox Assemblies

FIGURE 4. COVER AND AIRBOX ASSEMBLIES

Item No.	Part Number	Description	Units Per Assy
1	200770	Nameplate	1
2	67288	Cover Assy - Air cleaner	1
3	60242	. Knob - Air cleaner attaching	1
4	55497	Screen - Air cleaner	1
5	50742	Clamp - Fuel hose	2
6	67094	Hose - Fuel	1
7	53539	Screw - Hex hd 1/4-20 x 15/16	2
8	103242	Nut - Hex 1/4-20	2
9	65583	Gasket - Adapter to airbox	1
10	50686A	Adapter - Carburetor	1
11	65630	Gasket - Carburetor	1
12		Carburetor Assy (See Figure 5)	1
13	61822	Screw - Special	1
14	101556	Pin - Roll	1
15	50777B	Button - Choke	1
16	57134	Pushrod - Choke	1
17	83383	Pushrod - Oiler	1
18	83397	Button - Oiler	1
19	57736	Washer - Felt	1

Item No.	Part Number	Description	Units Per Assy
20	110127	Screw - Hex hd 10-24 x 7/8 (SEMS)	2
21	62488	Airbox Assy	1
22	36499	. Spring - Throttle	1
23	60237	. Grommet - Throttle	1
24	50684	. Rod - Throttle	1
25	104501	. Retainer - Trigger pin	1
26	50507	. Pin - Trigger	1
27	50091B	. Trigger	1
28	57105	. Grommet - Carburetor controll	1
29	103740	. Screw - Hex hd 8-32 x 5/8	2
30	51480	. Lockplate	1
31	57658A	. Clamp - Reed	1
32	66274	. Deflector - Fuel	1
33	48593	. Valve - Reed	1
34	53685C	. Plate - Reed	1
35	63067	. Tube	1
36	65653	. Gasket - Airbox	1
37	62834	. Insulator - Reed plate	1
38	50218	. Grip handle	1

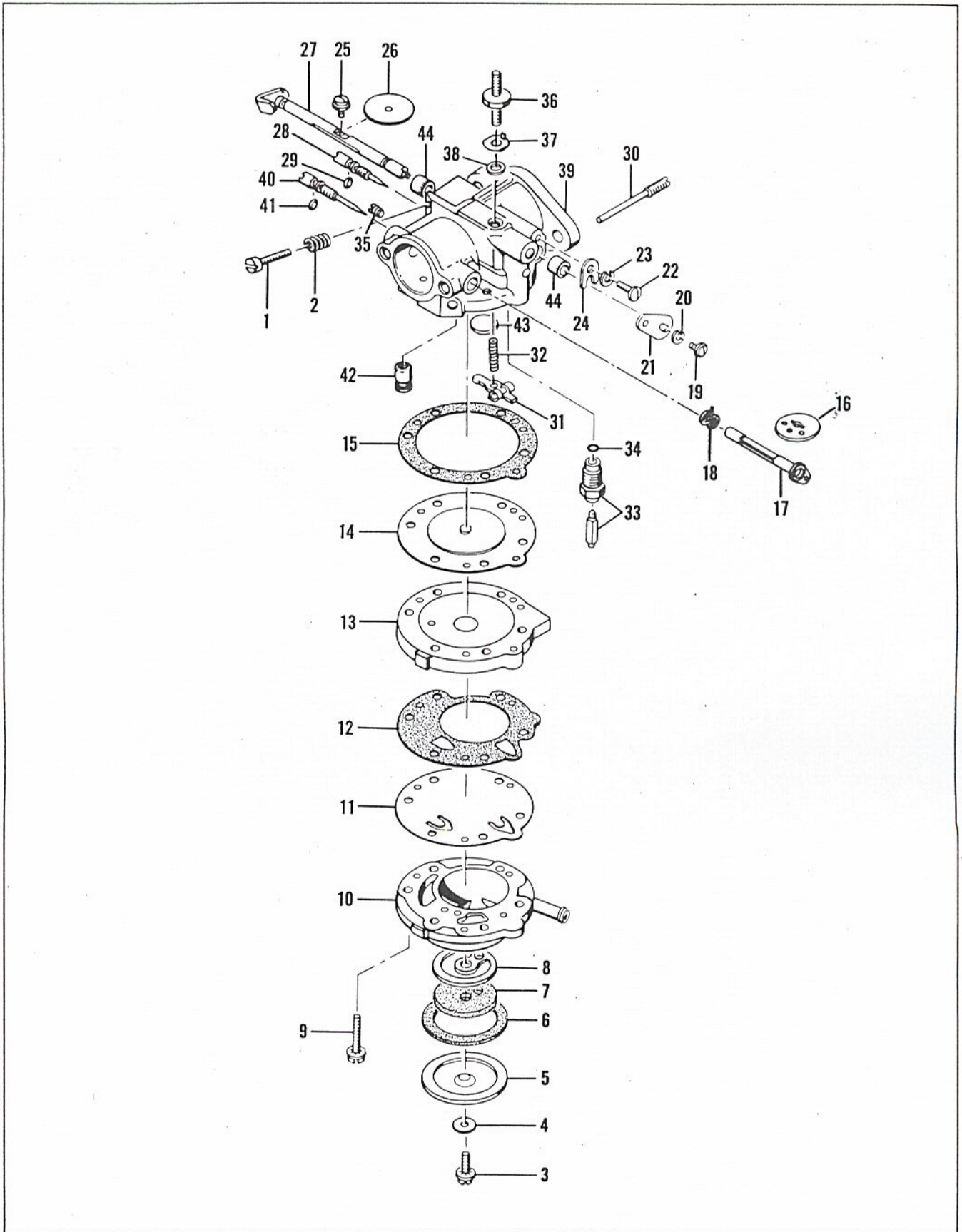


Figure 5. Carburetor

FIGURE 5. CARBURETOR

Item No.	Part Number	Description	Units Per Assy
	66346	Carburetor Assy	1
1	*50799	. Screw - Idle speed regulating	1
2	*51705	. Spring - Idle speed regulating screw	1
3	*50797	. Screw - Fuel filter cover	1
4	50798	. Gasket - Fuel filter cover	1
5	50796	. Cover - Fuel filter	1
6	51704	. Gasket - Fuel filter cover	1
7	*53717	. Filter Element - Fuel	1
8	53565	. Gasket - Fuel filter	1
9	51597	. Screw - Fuel pump body	6
10	50670	. Body - Fuel pump	1
11	*66401	. Diaphragm - Fuel pump	1
12	51594A	. Gasket - Fuel pump	1
13	51592	. Cover - Diaphragm	1
14	*51590A	. Diaphragm Assy	1
15	51591A	. Gasket - Diaphragm	1
16	53813	. Shutter - Choke	1
17	53814	. Shaft & Lever - Choke	1
18	*51586	. Spring - Choke shaft return	1
19	*51719	. Screw - Throttle governor lever	1
20	*100261	. Lockwasher	1
21	51718	. Lever - Throttle governor	1
22	*51717	. Screw - Throttle shaft clip	1
23	*100252	. Lockwasher	1
24	51716	. Clip - Throttle shaft	1

Item No.	Part Number	Description	Units Per Assy
25	*51721	. Screw - Throttle shutter	1
26	51720	. Shutter - Throttle	1
27	50803A	. Throttle Shaft & Lever	1
28	*51702	. Needle Assy - Idle adjustment	1
29	51703	. . "O" Ring	1
30	*51710	. Screw - Inlet control lever pinion	1
31	*51709	. Lever - Inlet control	1
32	*66404	. Spring - Inlet tension	1
33	*51707A	. Seat & Needle Assy	1
34	51708	. Gasket - Inlet seat	1
35	51589	. Drain Screw - Diaphragm chamber	1
36	50785	. Stud - Air cleaner attachment	1
37	63026	. Tab - Locking	1
38	63945	. Gasket - Stud	1
39	66230	. Body & Needle Assy - Carburetor	1
40	66405	. . Needle Assy - Main adjustment	1
41	51703	. . . "O" Ring	1
42	65611	. . Check Valve	1
43	*51583	. . Plug - Welch	1
44	51715	. . Bushing - Shaft	2
	*50806	Gasket & Packing Set	1
	66422	Repair Parts Kit	1

*Indicates part in Repair Kit #66422

FIGURE 6. POWERHEAD

Item No.	Part Number	Description	Units Per Assy
1	104815	Screw - Hex hd 10-24 x 7/8	2
2	100352	Washer - Plain #10	2
3	51253	Retainer - Coil	2
4	51251	Lamination Assy	1
5	55949A	Coil & Terminal Assy	1
6	101883	. Wire Assy - Ground	1
7	52547	. Wire Assy - Spark plug	1
8	55060	. . Boot - Spark plug	1
9	55061	. . Connector	1
10	55617	. Nipple - Spark plug wire	1
11	57225	Wire Assy - Primary	1
12		Spark Plug - 14 mm	1
13	53941A	Piston Assy (for service replacement)	1
14	55123	. Ring Set - Piston (set of 2 rings)	1
15	101206	. Bearing - Needle	1

Item No.	Part Number	Description	Units Per Assy
16	104378	. Bearing - Needle (closed end)	1
17	62831	Pin - Piston	2
18	47903	Rod Assy - Connecting	1
19	60210A	. Screw - Socket hd 10-32 x 0.552	2
20	102742	. Roller - Needle	24
21	50659A	Crankshaft	1
22	57736	Washer - Felt	1
23	62481	Cylinder Assy - Crankcase	1
24	104128	. Seal - Oil	1
25	104129	. Bearing - Needle	1
26	18556A	. Retainer - Nut	6
27	105394	. Nut - Hex 1/4-20	6
28	28053	. Retainer - Nut	2
29	101326	. Nut - Hex 10-24	2
30	110179	. Plug - Expansion	3
31	110034	. Insert - Tap-Lok	2

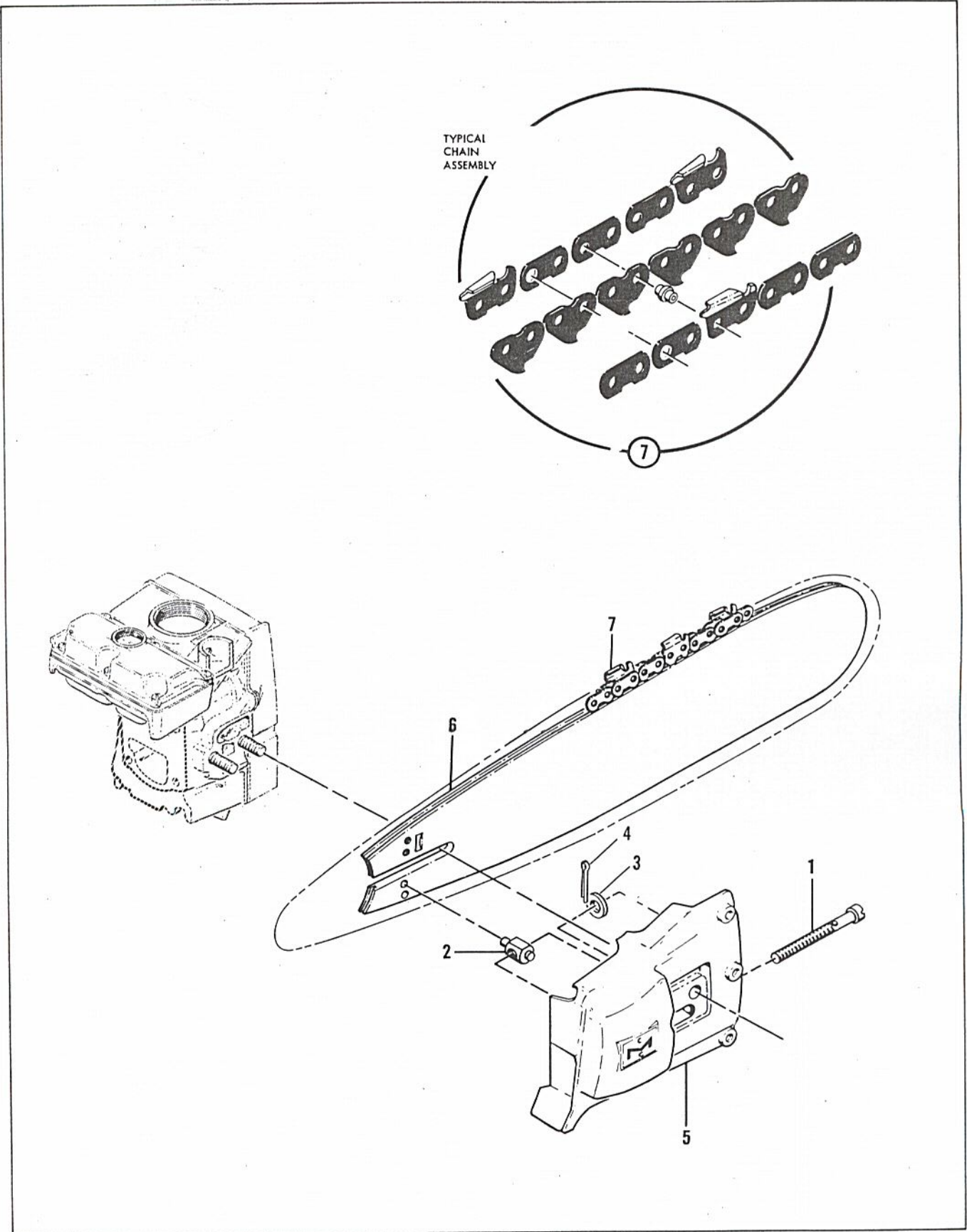


Figure 7. Clutch Guard, Bar and Chain

FIGURE 7. CLUTCH GUARD, BAR AND CHAIN

Item No.	Part Number	Description	Units Per Assy
	60133A	Guard Assy - Clutch	1
1	62057	. Screw - Fil hd 1/4-28 x 3.47	1
2	52207C	. Nut - Bar adjusting	1
3	100004	. Washer - Plain 1/4	1

Item No.	Part Number	Description	Units Per Assy
4	105686	. Pin - Cotter	1
5	60134	. Guard - Clutch	1
6		Bar	1
7		Chain	1

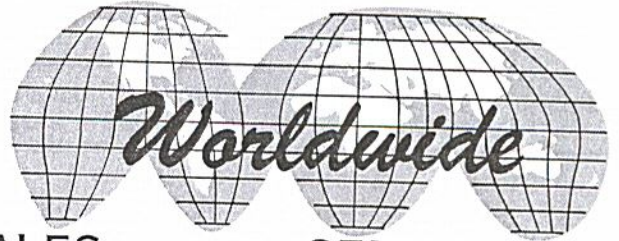
ACCESSORIES

Part Number	Description
61040	Wrench & Screwdriver - Combination
61394	Owner's Manual
61331	Kit - 4-tooth spike
61330	Kit - 5-tooth spike
53942A	Piston Assy - 0.010 in. oversize
55124	. Ring Set - 0.010 in. oversize
53943A	Piston Assy - 0.020 in. oversize
36248	Wrench-Sparkplug

Part Number	Description
55125	. Ring Set - 0.020 in. oversize
53944A	Piston Assy - 0.030 in. oversize
55126	. Ring Set - 0.030 in. oversize
36248	Wrench - Spark plug
65712	Timing Guide
63910	Spark Arrester
61995	Plate - Bar L.H.
61996	Plate - Bar R.H.



McCULLOCH



● MANUFACTURING ● SALES ● SERVICE ●

McCULLOCH CORPORATION

6101 WEST CENTURY BLVD., LOS ANGELES, CALIFORNIA 90045

INTERNATIONAL DIVISIONS:

LOS ANGELES, CALIF., P. O. BOX 45466

HONG KONG, B. C. C.: G. P. O. BOX 879

McCULLOCH OF CANADA LTD.

77 BELFIELD ROAD, REXDALE, ONTARIO, CANADA

McCULLOCH OF EUROPE, N. V.

ANTOON SPINOYSTRAAT 5, MECHELEN, BELGIUM

McCULLOCH OF AUSTRALIA PTY., LTD.

P. O. BOX 165, SOUTH GRANVILLE, N. S. W., AUSTRALIA