

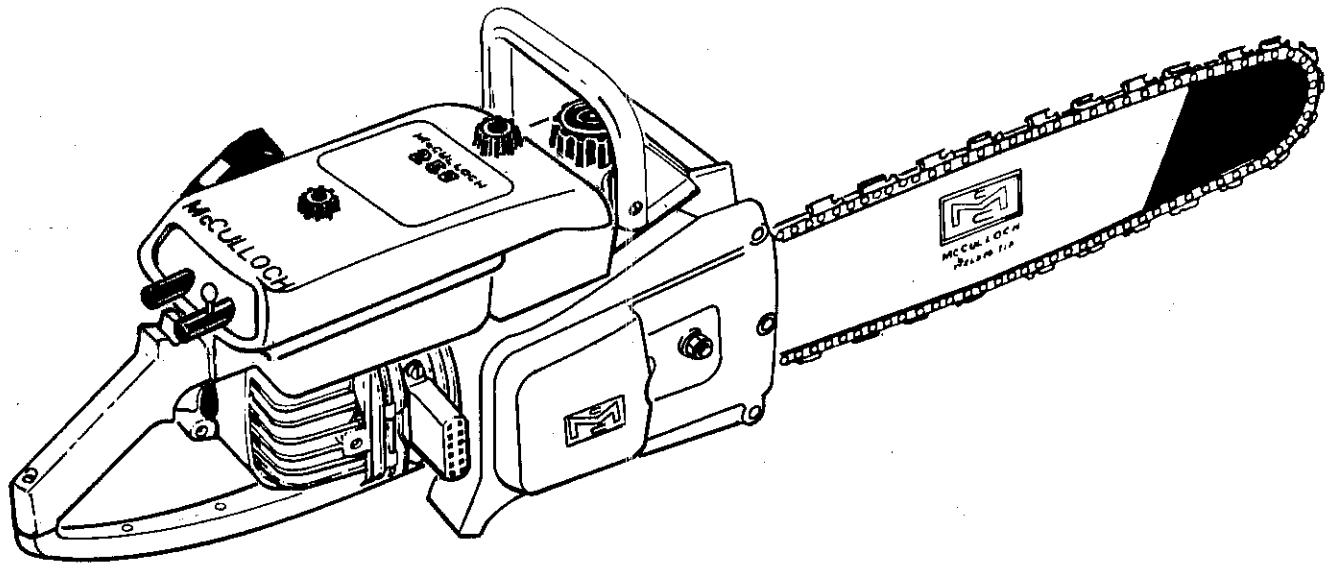
Chain Saw

MODEL 250

Serial No. 76001 & Up

ILLUSTRATED PARTS LIST

August 1965



The following pages contain an illustrated parts list for the Model 250 Chain Saw. Due to small differences between saws, it is important that the Serial Number of your saw be included whenever spare parts are ordered.

The policy of McCulloch Corporation is one of continual improvement in design, manufacturing and engineering advancement wherever possible to assure still finer two-cycle power tools. Hence, specifications, equipment, colors, design and manufacturer's suggested list prices are subject to change without notice and McCulloch Corporation reserves the right to make such changes without prior notification or obligation to backfit or supply backfit components for units previously shipped from the factory.

	Page
Figure 1. General Exploded View	2
Figure 2. Starter and Crankcase Cover Assemblies	4
Figure 3. Oiler and Fuel Tank Assemblies	6
Figure 4. Cover and Airbox Assemblies	8
Figure 5. Carburetor	10
Figure 6. Powerhead	12
Figure 7. Clutch Guard, Bar and Chain	14

McCULLOCH CORPORATION

6101 West Century Boulevard, Los Angeles, California 90045

MODEL 250
Serial No. 76001 & Up

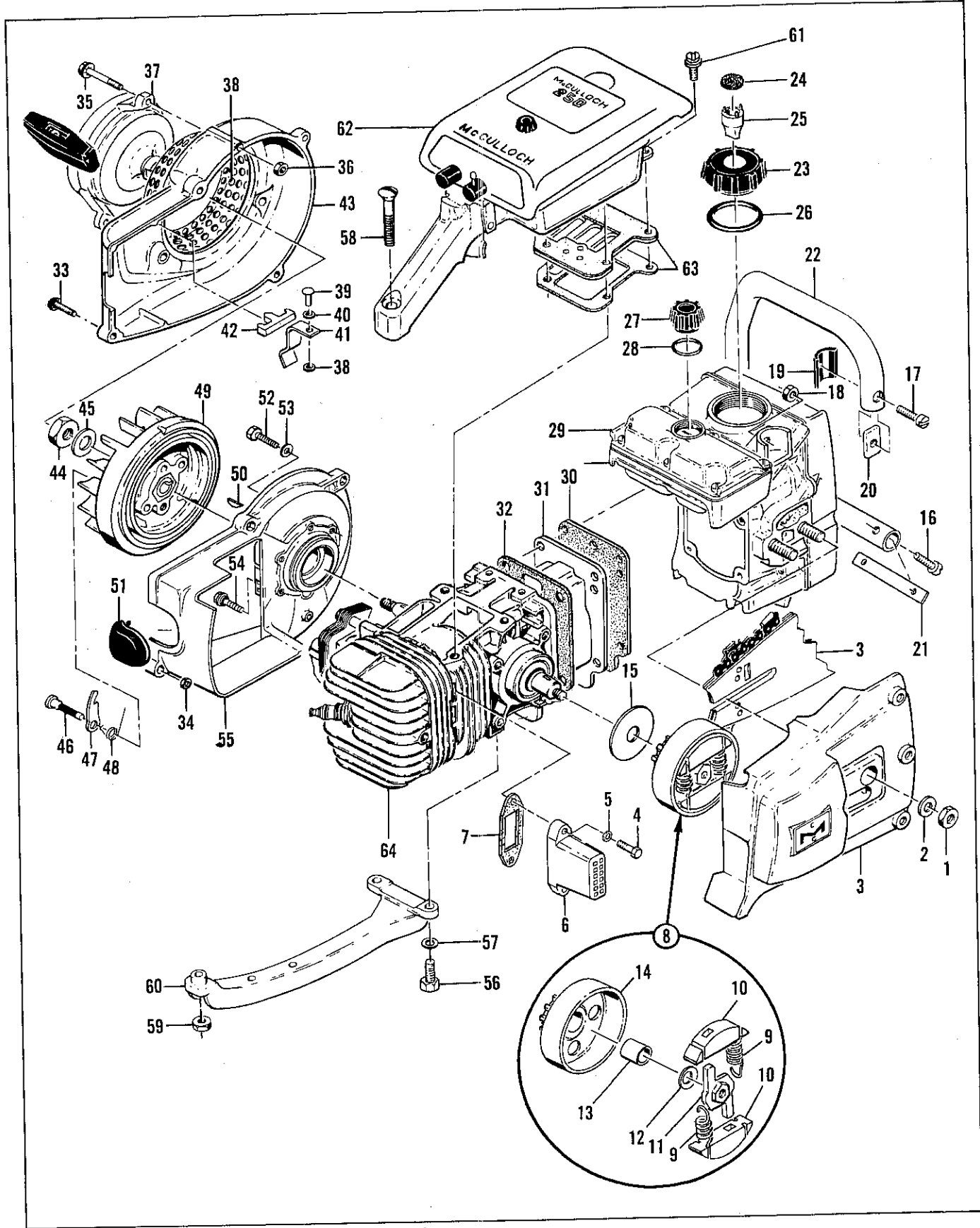


Figure 1. General Exploded View

FIGURE 1. GENERAL EXPLODED VIEW

Index No.	Part Number	Nomenclature	Units Per Assy
1	103729	Nut - Hex 3/8-24	2
2	100006	Washer - Plain 3/8 in.	2
		Clutch Guard, Bar and Chain (See Figure 7)	1
4	102289	Screw - Hex hd 10-24 x 3/4 in. lg.	2
5	103100	Lockwasher - #10 Internal	2
6	50115	Pipe - Exhaust	1
7	53652	Gasket - Exhaust	1
8		Clutch and Sprocket, Drum and Bushing Assys	1
	52844	Clutch Assy	1
9	52847	. Spring - Clutch Shoe	2
10	52845	. Shoe - Clutch	2
11	52846	. Rotor Assy - Clutch	1
12	101270	Washer - Plain 7/16 in.	1
	50129A	Sprocket, Drum and Bushing Assy	1
13	50128	. Bushing	1
14	51775B	. Sprocket and Drum Assy	1
15	50132	Washer - Sprocket Assy	1
16	102356	Screw - Fil hd 1/4-20 x 7/8 in. lg.	2
17	103267	Screw - Fil hd 1/4-20 x 1 in. lg.	1
18	101143	Nut - Hex 1/4-20	3
19	50062	Insulator - Frame	3
20	57133	Saddle - Frame	1
21	62233	Saddle - Frame	1
22	62095	Frame	1
23	55934B	Cap - Fuel	1
24	55063	. Filter - Fuel Cap	1
25	53766A	. Valve - Fuel Cap	1
26	101348	"O" Ring	1
27	57129A	Cap - Oiler	1
28	101148	"O" Ring	1
29		Oiler and Fuel Tank Assys (See Figure 3)	1
30	60601A	Gasket - Fuel tank	1
31	53399E	Cover - Crankcase bottom	1
32	58166A	Gasket - Bottom	1
33	104815	Screw - 10-24 x 7/8 in. lg (SEMS)	4
34	101326	Nut - Hex 10-24	2
35	104815	Screw - 10-24 x 7/8 in. lg (SEMS)	3
36	101191	Nut - Hex 10-24	3
37		Starter Assy (See Figure 2)	1
38	50581A	Guard - Sawdust	1
	57184B	Fan Housing Assy	1
39	103819	. Rivet - Oval hd 3/16 x 5/16	1
40	24236	. Washer - Special	2
41	50818	. Spring - Switch	1
42	50817	. Button - Switch	1
43		. Fan Housing (Order Fan Housing Assy #57184B)	1
44	101179	Nut - Hex 7/16	1
45	101270	Washer - Special	1
46	36144B	Pin - Pawl	2
47	24093	Pawl - Starter	2
48	50582	Spring - Pawl	2
49	48785D	Flywheel Assy	1
50	103879	Key - Woodruff #3	1
51	57565	Cover Assy - Spark plug	1
52	102289	Screw - Hex hd 10-24 x 3/4 in. lg.	4
53	102189	Washer - Plain #10	3
54	55494	Screw - Sealing	2
55		Crankcase Cover Assy (See Figure 2)	1
56	100882	Screw - Hex hd 1/4-20 x 3/4 in. lg.	2
57	100004	Washer - Plain 1/4	2
58	104435	Screw - Oval head 10-24 x 1-3/4 in. lg.	1
59	101191	Nut - Hex 10-24	1

This list is continued on page 5

MODEL 250
Serial No. 76001 & Up

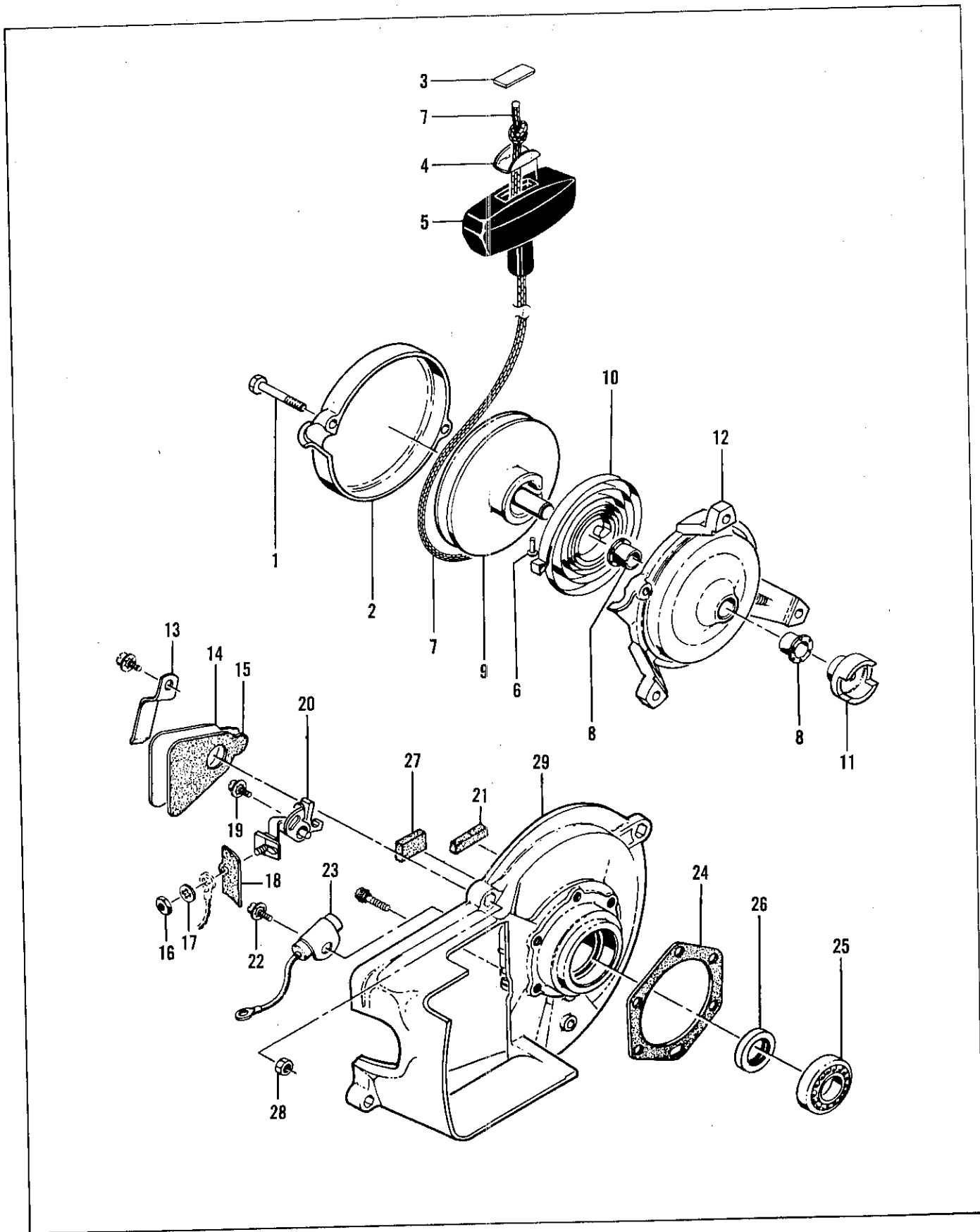


Figure 2. Starter and Crankcase Cover Assemblies

#62486
8-65

FIGURE 1. GENERAL EXPLODED VIEW (CONT)

Index No.	Part Number	Nomenclature	Units Per Assy
60	50041	Brace - Handle	1
61	110127	Screw - Hex hd 10-24 x 7/8 in. lg (SEMS)	2
62		Cover and Airbox Assemblies (See Figure 4)	1
63		Reed Plate Assy and Insulator (See Figure 4)	1
64		Powerhead Assy (See Figure 6).	1

FIGURE 2. STARTER AND CRANKCASE COVER ASSEMBLIES

Index No.	Part Number	Nomenclature	Units Per Assy
	60130	Starter Assy	1
1	104396	Screw - 10-24 x 3/4 in. lg.	2
2	60647	Cover - Starter	1
3	57232	Plate - Starter handle.	1
4	57231	Cup - Starter handle	1
5	57230	Handle - Starter.	1
6	101136	Rivet	1
7	28716	Rope - Starter	1
8	57535	Bushing	2
9	57792	Drum - Starter	1
10	51665	Spring - Rewind.	1
11	57790	Ratchet - Starter	1
12	60646	Base - Starter.	1
13	50671	Retainer - Breaker box cover	1
14	50588A	Cover - Breaker box	1
15	50589A	Gasket - Breaker box	1
16	100251	Nut - Hex 8-32	1
17	100057	Lockwasher - #8	1
18	50381A	Insulator - Breaker terminal.	1
19	103672	Screw - Hex hd 8-32 x 1/2 in. lg. (SEMS)	1
20	50076A	Breaker Assy.	1
21	50664	Felt - Breaker box.	1
22	103672	Screw - Hex hd 8-32 x 1/2 in. lg. (SEMS)	1
23	50074	Condenser.	1
24	51240	Gasket - Crankcase	1
25	100824	Bearing - Ball.	1
	57126A	Crankcase Cover Assy.	1
26	50663	Seal - Oil	1
27	54184	Wiper - Felt	1
28	101326	Nut - Hex 10-24.	2
29		Cover - Crankcase. (Order Crankcase Cover Assy #57126A)	1

MODEL 250
Serial No. 76001 & Up

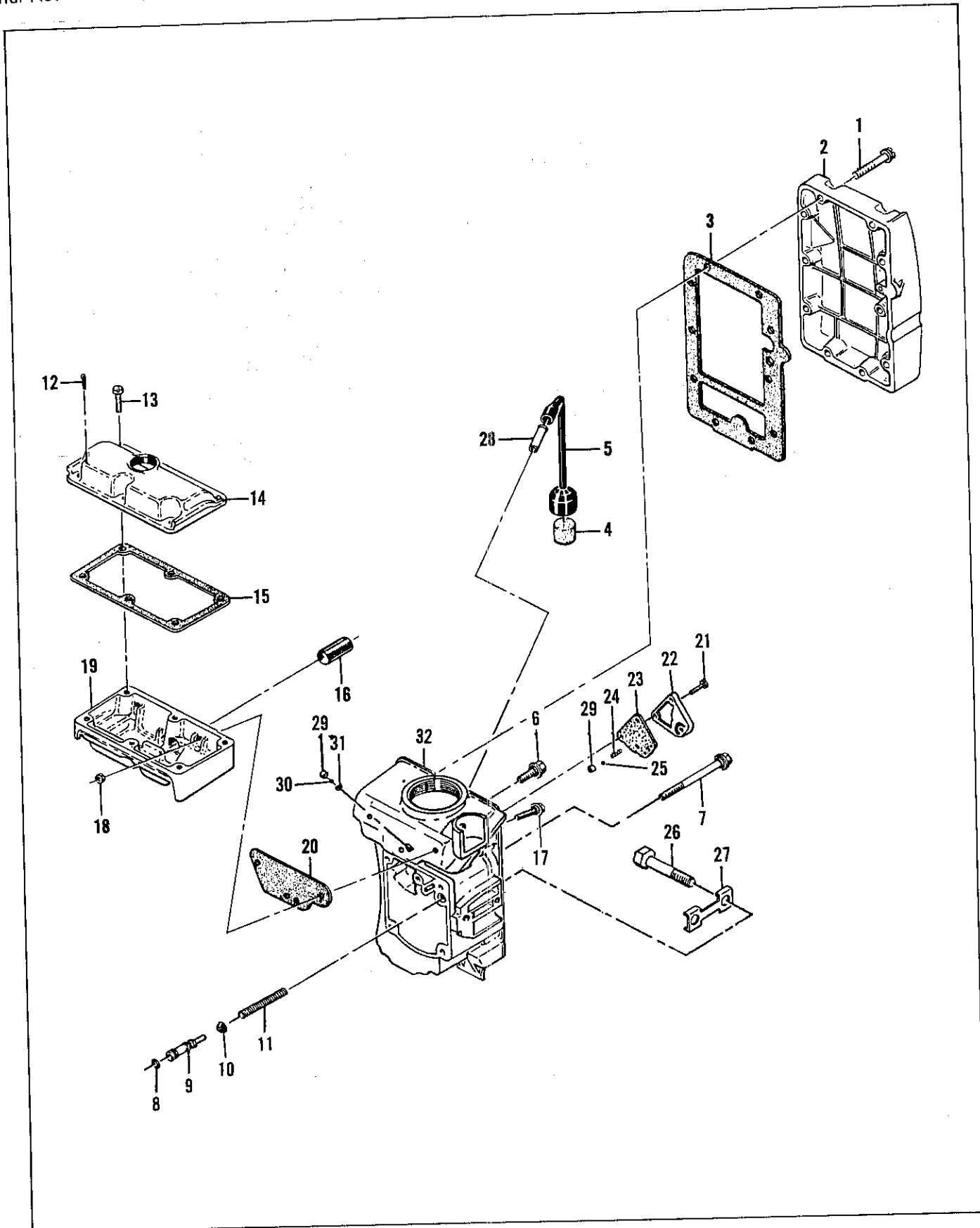


Figure 3. Oiler and Fuel Tank Assemblies

FIGURE 3. OILER AND FUEL TANK ASSEMBLIES

Index No.	Part Number	Nomenclature	Units Per Assy
1	104396	Screw - Pan hd 10-24 x 3/4 in. lg	10
2	60781	Cover - Fuel tank	1
3	50034B	Gasket - Fuel tank	1
4	50124A	Filter - Fuel tank	1
5	50082	Hose - Fuel	1
6	57840	Screw Assy - Sealing	3
7	50569	Screw Assy - Sealing	1
8	101056	"O" Ring	1
9	63122	Piston - Oiler	1
10	24104A	Cup - Oiler piston	1
11	18349A	Spring - Oiler	1
12	100010	Pin - Cotter 1/16 x 1/2	1
13	104395	Screw - Pan hd 10-24 x 5/8 in. lg	6
14	57114A	Cover - Oil tank	1
15	57152	Gasket - Oil tank cover	1
16	57279	Screen - Oil tank	1
17	55494	Screw Assy - Sealing	3
18	101326	Nut - Hex 10-24	3
19	57112A	Tank - Oiler	1
20	57147	Gasket - Oiler tank	1
21	103814	Screw - Hex hd 10-24 x 5/8 in. lg	3
22	62339A	Plate - Pulse pump	1
23	62338B	Gasket - Pulse pump	1
24	63034	Spring - Check valve	1
25	100071	Ball - Check valve	1
	62154A	Fuel Tank Assy	1
26	61437	. Bolt - Bar mounting	2
27	51439	. Lockplate	1
28	28042	. Tube - Fuel hose	1
29	62216	. Seat - Check valve	2
30	100071	. Ball - Check valve	1
31	110327	. Ring - Ball retainer	1
32		. Tank - Fuel (Order Fuel Tank Assy #62154A)	1

MODEL 250
Serial No. 76001 & Up

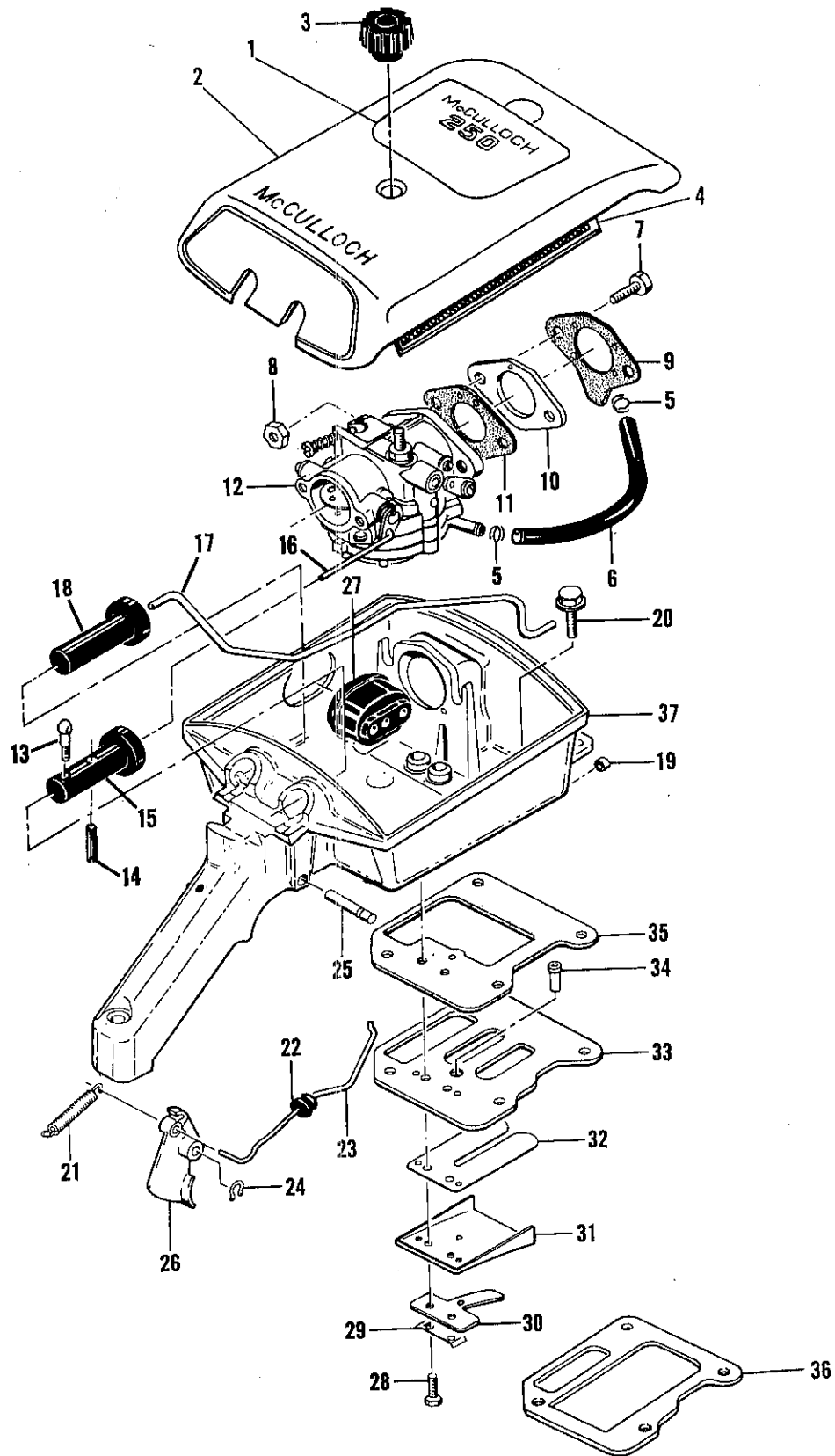


Figure 4. Cover and Airbox Assemblies

FIGURE 4. COVER AND AIRBOX ASSEMBLIES

Index No.	Part Number	Nomenclature	Units Per Assy
1	61931A	Nameplate	1
2	60342	Cover Assy - Air cleaner	1
3	60242	. Knob - Air cleaner attaching	1
4	55497	Screen - Air cleaner	1
5	50742	Clamp - Fuel hose	2
6	50097	Hose - Fuel	1
7	53539	Screw - Hex hd 1/4-20 x 15/16 in. lg	2
8	103242	Nut - Hex 1/4-20	2
9	50123B	Gasket - Adapter to airbox	1
10	50686A	Adapter - Carburetor	1
11	55519A	Gasket - Carburetor	1
12	50687D	Carburetor Assy (See Figure 5)	1
13	50776	Screw - Special	1
14	101556	Pin - Roll	1
15	50777B	Button - Choke	1
16	57134	Push Rod - Choke	1
17	57866A	Pushrod - Oiler	1
18	50591B	Button - Oiler	1
19	55449A	Washer - Felt	1
20	110127	Screw - Hex hd 10-24 x 7/8 in. lg (SEMS)	2
	62488	Air Box Assy	1
21	36499	. Spring - Throttle	1
22	60237	. Grommet - Throttle	1
23	50684	. Rod - Throttle	1
24	104501	. Retainer - Trigger pin	1
25	50507	. Pin - Trigger	1
26	50091B	. Trigger	1
27	57105	. Grommet - Carburetor control	1
28	103740	. Screw - Hex hd 8-32 x 5/8 in. lg	2
29	51480	. Lockplate	1
30	57658A	. Clamp - Reed	1
31	53686A	. Deflector - Fuel	1
32	48593	. Valve - Reed	1
33	53685C	. Plate - Reed	1
34	63067	. Tube	1
35	57145A	. Gasket - Airbox	1
36	62834	. Insulator - Reed plate	1
37		. Airbox (Order Airbox Assy #62488)	1

MODEL 250
Serial No. 76001 & Up

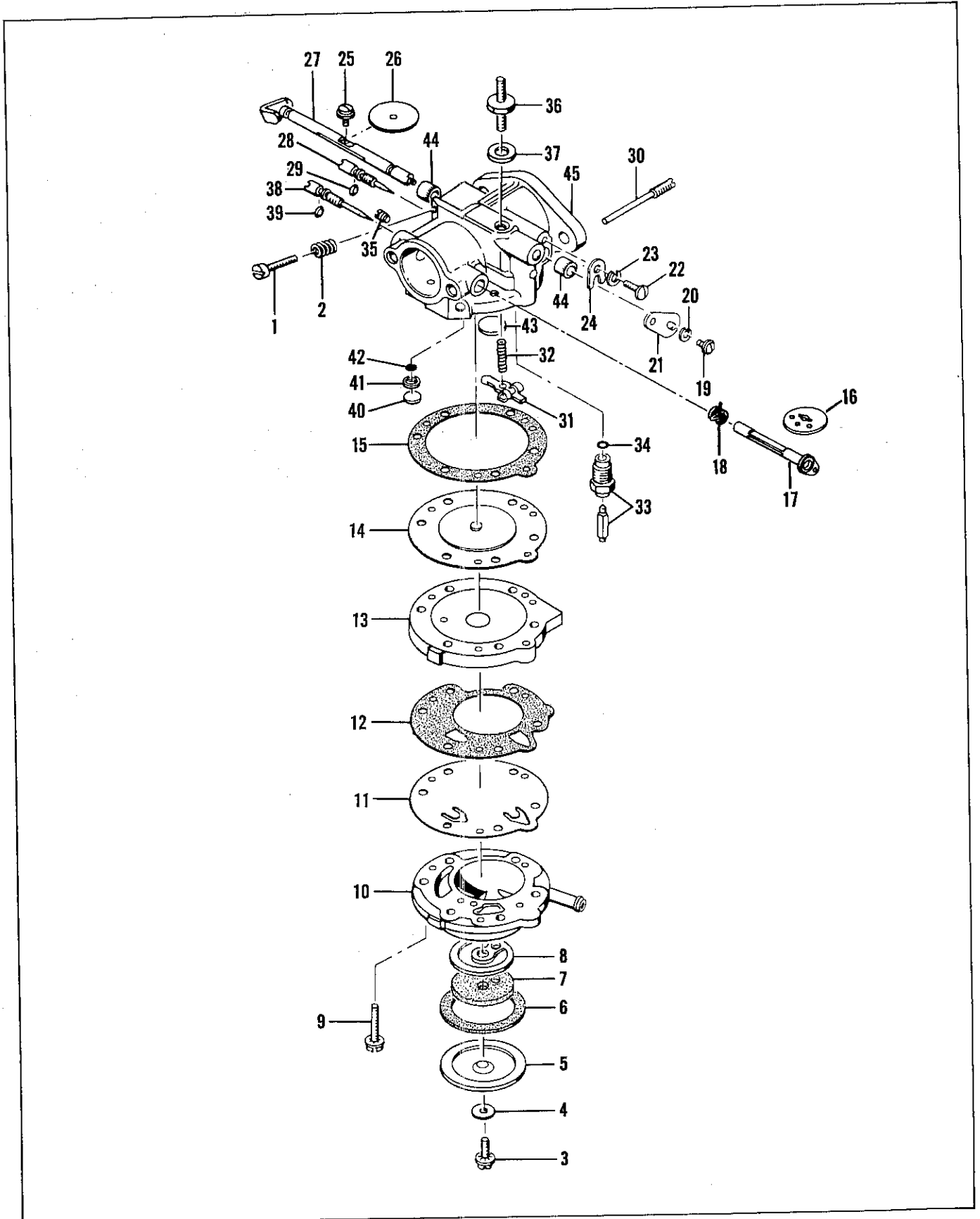


Figure 5. Carburetor

FIGURE 5. CARBURETOR

Index No.	Part Number	Nomenclature	Units Per Assy
	50687D	Carburetor Assy	1
1	*50799	. Screw - Idle speed regulating	1
2	*51705	. Spring - Idle speed regulating screw	1
3	*50797	. Screw - Fuel filter cover	1
4	50798	. Gasket - Fuel filter cover	1
5	50796	. Cover - Fuel filter	1
6	51704	. Gasket - Fuel filter cover	1
7	*53717	. Filter Element - Fuel	1
8	53565	. Gasket - Fuel filter	6
9	51597	. Screw - Fuel pump body	1
10	50670	. Body - Fuel pump	1
11	53164	. Diaphragm - Fuel pump	1
12	51594A	. Gasket - Fuel pump	1
13	51592	. Cover - Diaphragm	1
14	*51590A	. Diaphragm Assy	1
15	51591A	. Gasket - Diaphragm	1
16	53813	. Shutter - Choke	1
17	53814	. Shaft and Lever - Choke	1
18	51586	. Spring - Choke shaft return	1
19	*51719	. Screw - Throttle governor lever	1
20	100261	. Lockwasher	1
21	51718	. Lever - Throttle governor	1
22	*51717	. Screw - Throttle shaft clip	1
23	*100252	. Lockwasher	1
24	51716	. Clip - Throttle shaft	1
25	*51721	. Screw - Throttle shutter	1
26	51720	. Shutter - Throttle	1
27	50803A	. Throttle Shaft and Lever	1
28	*51702	. Needle Assy - Idle adjustment	1
29	51703	. "O" Ring	1
30	*51710	. Screw - Inlet control lever pinion	1
31	*51709	. Lever - Inlet control	1
32	*51711	. Spring - Inlet tension	1
33	*51707A	. Seat and Needle Assy	1
34	51708	. Gasket - Inlet seat	1
35	51589	. Drain Screw - Diaphragm chamber	1
36	50785	. Stud - Air cleaner attachment	1
37	63026	. Gasket - Stud	1
	50779C	. Body and Needle Assy - Carburetor	1
38	*53718	. Needle Assy - Main adjustment	1
39	51703	. "O" Ring	1
40	*57653	. Plug - Channel cup	1
41	57652	. Ring - Retainer	1
42	57651	. Screen	1
43	*51583	. Plug - Welch	2
44	51715	. Bushing - Shaft	1
45		. Body(Order Carburetor Body Assy #50779C)	1
45	*50806	. Gasket and Packing Set	1
	53719	. Repair Parts Kit	1

*Indicates part in Repair Parts Kit #53719

MODEL 250

Serial No. 76001 & Up

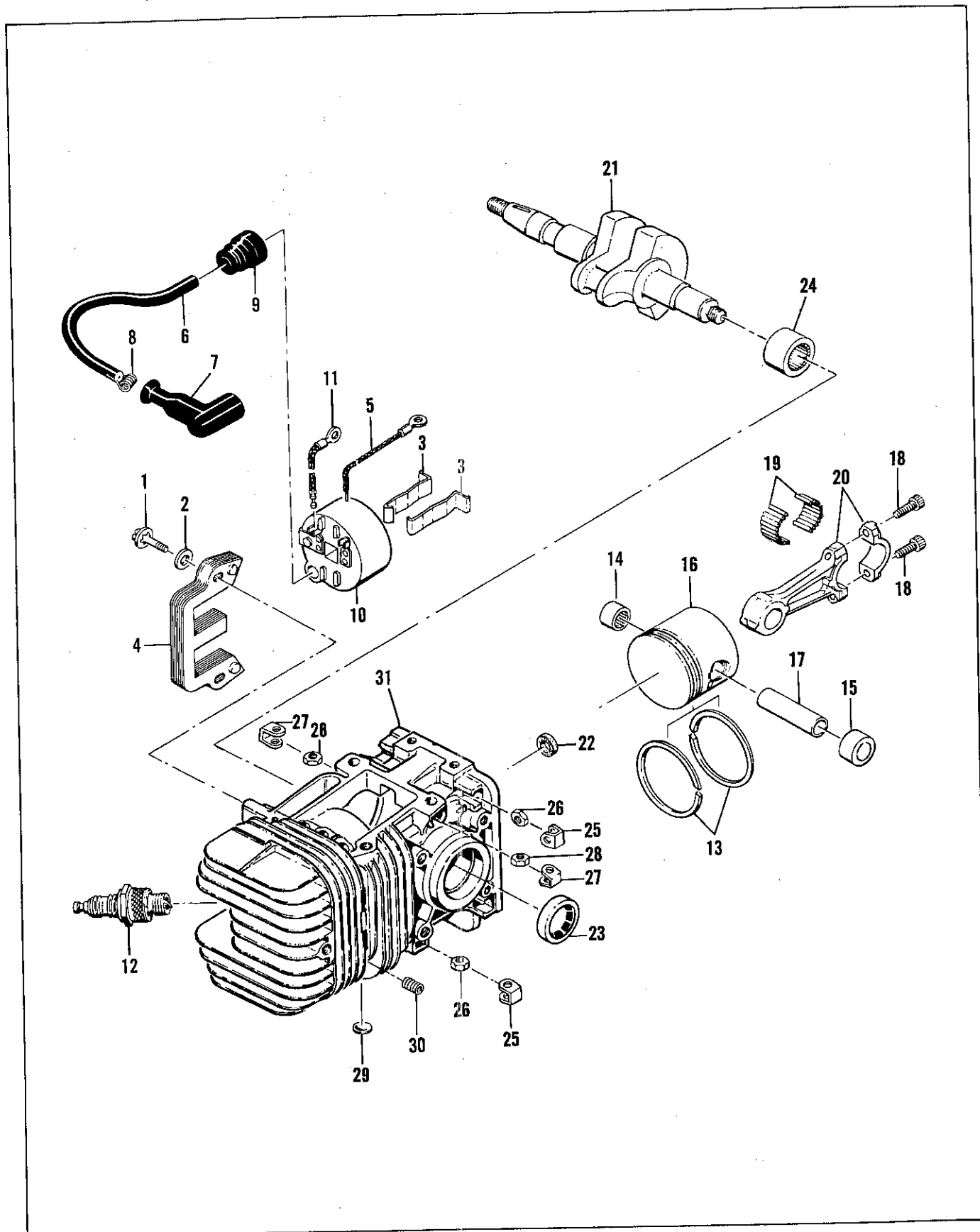


Figure 6. Powerhead

FIGURE 6. POWERHEAD

Index No.	Part Number	Nomenclature	Units Per Assy
1	104815	Screw - Hex hd 10-24 x 7/8 in. lg.	2
2	102189	Washer - Plain #10	2
3	51253	Retainer - Coil	2
4	51251	Lamination Assy	1
	55949A	Coil and Terminal Assy	1
5	101883	. Wire Assy - Ground	1
6	52547	. Wire Assy - Spark plug	1
7	55060	. Boot - Spark plug	1
8	55061	. Connector	1
9	55617	. Nipple - Spark plug wire	1
10		. Coil Assy (Order Coil and Terminal Assy #55949A)	1
11	57225	Wire Assy - Primary	1
12		Spark Plug - 14 mm	1
	53941A	Piston Assy (For service replacement)	1
13	55123	. Ring Set - Piston (Set of 2 rings)	1
14	101206	. Bearing - Needle	1
15	104378	. Bearing - Needle (closed end)	1
16		. Piston (Order Service Replacement Piston Assy #53941A)	1
17	62831	Pin - Piston	2
	47903	Rod Assy - Connecting	1
18	60210A	. Screw - Socket hd 10-32 x 0.552 in. lg	2
19	102742	. Roller - Needle	24
20		. Rod - Connecting (Order Rod Assy #47782A)	1
21	50659A	Crankshaft	1
22	55449A	Washer - Felt	1
	62481	Cylinder Assy - Crankcase	1
23	104128	. Seal - Oil	1
24	104129	. Bearing - Needle	1
25	18556A	. Retainer - Nut	6
26	105394	. Nut - Hex 1/4-20	6
27	28053	. Retainer - Nut	2
28	101326	. Nut - Hex 10-24	2
29	110179	. Plug - Expansion	3
30	110034	. Insert - Tap-Lok	2
31		. Cylinder - Crankcase (Order Cylinder Assy #62481)	1

MODEL 250

Serial No. 76001 & Up

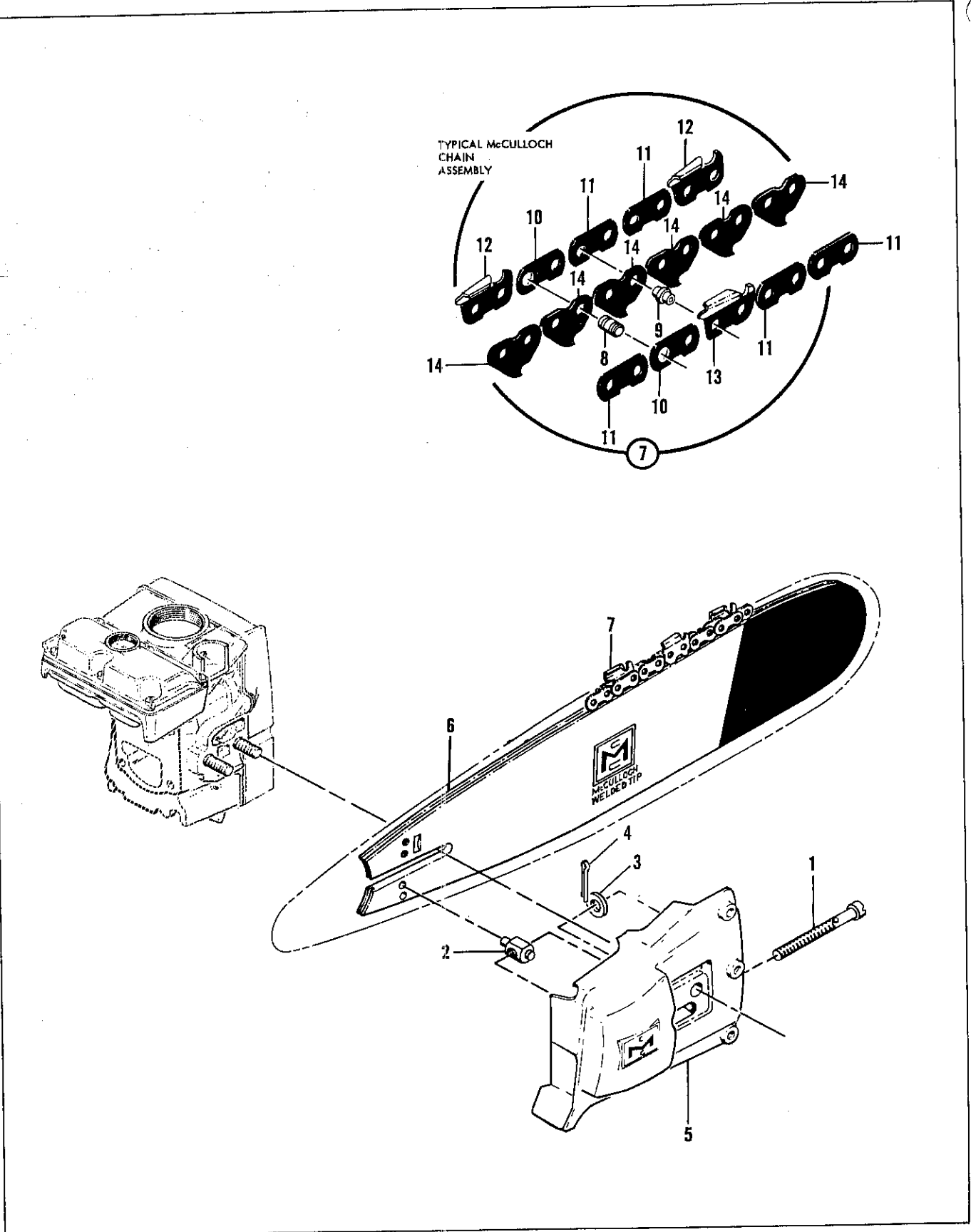


Figure 7. Clutch Guard, Bar and Chain

FIGURE 7. CLUTCH GUARD, BAR AND CHAIN

Index No.	Part Number	Nomenclature	Units Per Assy
	60133A	Guard Assy - Clutch	1
1	62057	. Screw - Fil hd 1/4-28 x 3.47 in. lg	1
2	52207C	. Nut - Bar adjusting	1
3	100004	. Washer - Plain 1/4 in.	1
4	105686	. Pin - Cotter	1
5	60134	. Guard - Clutch	1
6	51405A	Bar - Hard-faced 18 in. lg	Alternate
	51407A	Bar - Hard-faced 24 in. lg	Alternate
	50606	Laminated Bar - Hard-faced 18 in. lg	Alternate
	50346	Laminated Bar - Hard-faced 18 in. lg	Alternate
	50348	Laminated Bar - Hard-faced 24 in. lg	Alternate
7		Typical McCulloch Chain Assy	
8		. Master Pin	
9		. Rivet	
10		. Master Side Link	
11		. Side Link	
12		. Cutter - Left side	
13		. Cutter - Right side	
14		. Cutter Link	

TOOLS, PARTS AND ACCESSORIES

Part Number	Nomenclature
* 51445A	Wrench and Screwdriver - Combination
* 61394	Owner's Manual
* 58245	Chain Maintenance Manual
61331	Kit - 4-tooth spike
61330	Kit - 5-tooth spike
18413A	Feeler Gauge Set
102094	Chain Grinding Fixture
56224A	Chain Breaker - Rivet Spinner
56218	Depth Gauge Tool - 0.025 to 0.040 in. depth
56241	Depth Gauge Tool - 0.045 to 0.060 in. depth
53942A	Piston Assy - 0.010 in. oversize
55124	. Ring Set - 0.010 in. oversize
53943A	Piston Assy - 0.020 in. oversize
55125	. Ring Set - 0.020 in. oversize
53944A	Piston Assy - 0.030 in. oversize
55126	. Ring Set - 0.030 in. oversize

* Items furnished with each saw.



McCULLOCH 
DEPENDABLE CHAIN SAWS
LEADERSHIP THROUGH CREATIVE ENGINEERING