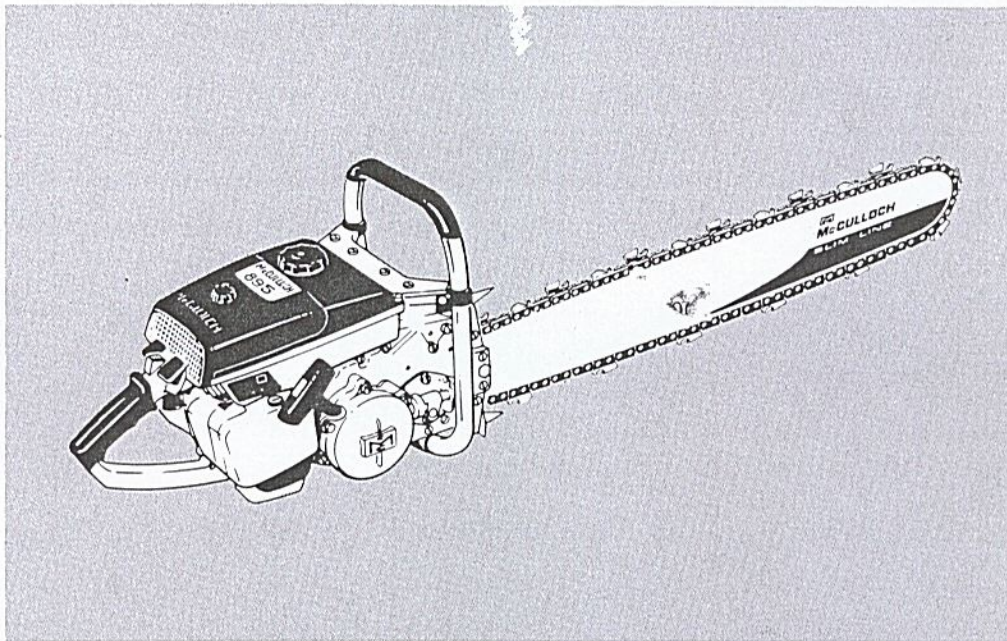


MODEL 895 Chain Saw

Serial Numbers Prefixed 10-

ILLUSTRATED PARTS LIST



August 1967

Page

The following pages contain an Illustrated Parts List for this model. Due to small differences between engines, it is important that the Serial Number be included whenever spare parts are ordered.

The policy of McCulloch Corporation is one of continual improvement in design, manufacturing and engineering advancement wherever possible to assure still finer two-cycle power tools. Hence, specifications, equipment, colors, design and manufacturer's suggested list prices are subject to change without notice and McCulloch Corporation reserves the right to make such changes without prior notification or obligation to backfit or supply backfit components for units previously shipped from the factory.

Figure 1. Engine Exploded View - General	2
Figure 2. Fuel System Components	4
Figure 3. McCulloch Carburetor Assembly	6
Figure 4. Starter and Clutch Assemblies	8
Figure 5. Powerhead Assembly	10
Figure 6. Transmission Assembly	12
Figure 7. Lockplate Adjusting Assembly, Bar and Chain .	14
Figure 8. Plunge Bow Saw Assembly	16
Figure 9. Handle and Control Assembly	18



McCULLOCH

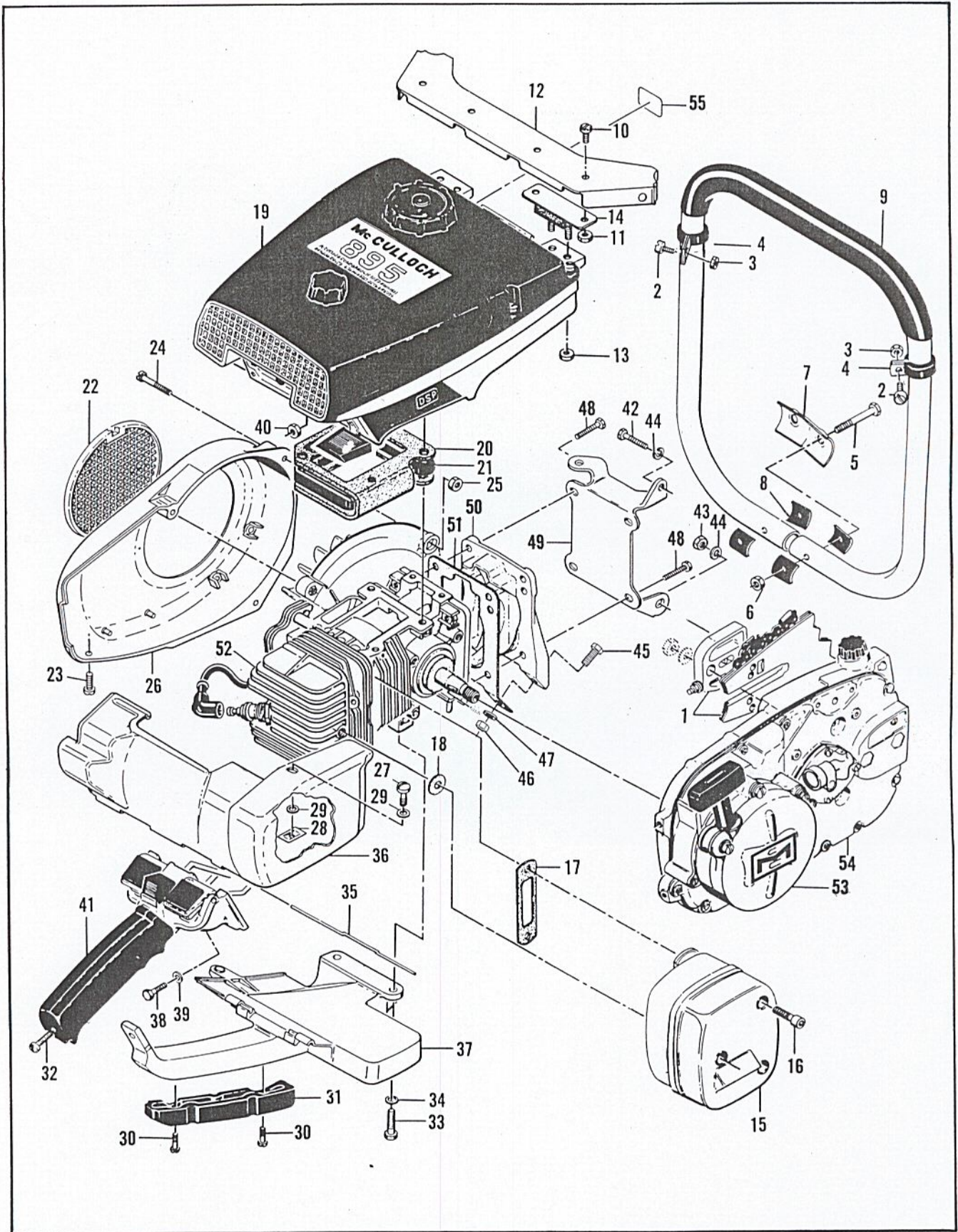


Figure 1. Engine Exploded View - General

FIGURE 1. ENGINE EXLODED VIEW — GENERAL

Item No.	Part Number	Description	Units Per Assy
1		Lockplate Adjusting Assy, Bar & Chain (See Figure 7)	1
2	102761	Screw - Hex hd 10-24 x 7/8	2
3	-105367	Nut - Hex 10-24	2
4	103923	Clamp - Frame	2
5	102125	Screw - Hex hd 1/4-20 x 1-3/4	2
6	105394	Nut - Hex 10-24	2
7	51660	Clamp - Frame	1
8	50062	Insulator - Frame	4
9	60766A	Frame and Grip Assy	1
10	104393	Screw - Pan hd 10-24 x 3/8	4
11	101191	Nut - Hex 10-24	4
12	55638	Brace - Frame	1
13	101191	Nut - Hex 10-24	4
14	55606B	Mount - Shock	2
15	53480	Spark Arrester & Screw Assy	1
16	104895	Screw - Socket hd 10-24 x 5/8	3
17	53652	Gasket - Spark arrester	1
18	53651	Washer - Insulating	1
19		Fuel System Components (See Figure 2)	1
20	-65625	Gasket - Fuel tank insulator	1
21	53684A	Insulator - Fuel tank	1
22	55615	Guard - Flywheel	1
23	102500	Screw - Pan hd 10-24 x 1/2	1
24	104816	Screw - 10-24 x 1-1/4	3
25	101326	Nut - Hex 10-24	2
26	57733	Fan Housing	1
27	51351	Screw - Special	1
28	103741	Speednut	1
29	100005	Washer - 1/4	2

Item No.	Part Number	Description	Units Per Assy
30	104483	Screw - Binder hd 10-24 x 5/8	2
31	55941	Insert - Handle	1
32	104397	Screw - Pan hd 10-24 x 7/8	1
33	102121	Screw - Hex hd 1/4-20 x 7/8	2
34	100005	Washer - 1/4	2
35	55885	Pin - Shroud hinge	1
36	-66259	Shroud Assy - Cylinder & spark arrester	1
37	57872	Brace - Handle	1
38	102761	Screw - Hex hd 10-24 x 7/8	2
39	102189	Washer - #10	2
40	102067	Nut - Hex 10-24	2
41		Handle & Control Assy (See Figure 9)	1
42	100882	Screw - Hex hd 1/4-20 x 3/4	1
43	100248	Nut - Hex 1/4-28	1
44	100153	Lockwasher - 1/4	2
45	100882	Screw - Hex hd 1/4-20 x 3/4	1
46	105394	Nut - Hex 1/4-20	1
47	100005	Washer - 1/4	1
48	101982	Screw - Hex hd 1/4-20 x 1	4
49	61225	Bracket - Gearcase	1
50	53473	Cover - Crankcase bottom	1
51	-65654	Gasket - Crankcase bottom cover	1
52		Powerhead Assy (See Figure 5)	1
53		Starter & Clutch Assy (See Figure 4)	1
54		Transmission Assy (See Figure 6)	1
55	59445	Decal - Oiler	1

NOTE

Part numbers which have changed since the previous printing of the illustrated parts list covering this model, are indicated by a dash (-) preceding the new part number. The dash precedes part numbers changed by a letter suffix as well as those changed to an entirely new number.

MODEL 895

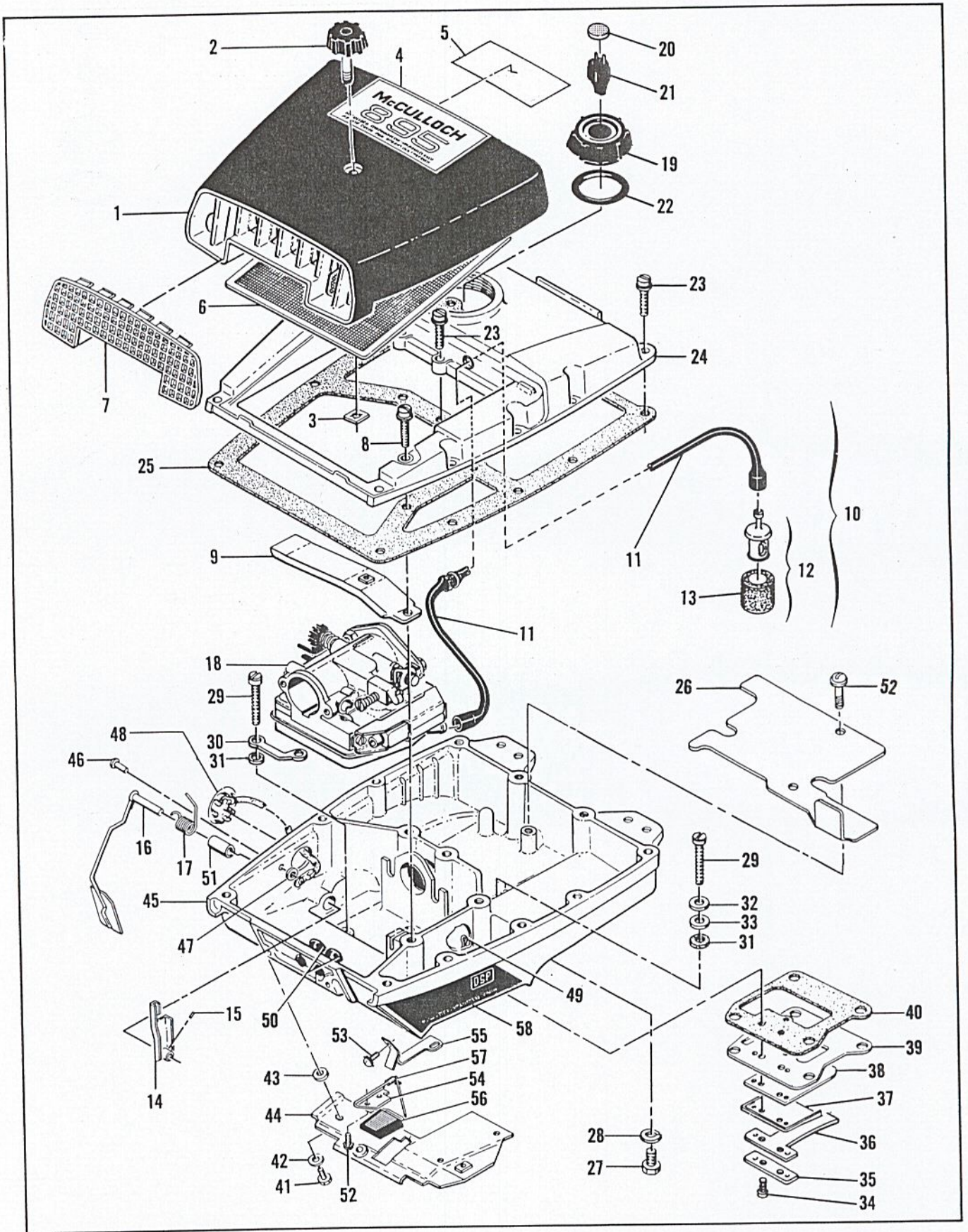


Figure 2. Fuel System Components

FIGURE 2. FUEL SYSTEM COMPONENTS

Item No.	Part Number	Description	Units Per Assy
1	-60427A	Cover Assy - Air cleaner	1
2	60243	. Knob - Air cleaner cover	1
3	103741	. Speednut	1
4	-66817	Nameplate	1
5	63814	Instruction Plate	1
6	55498	Screen - Air cleaner	1
7	55659	Grill - Air cleaner cover	1
8	104396	Screw - Pan hd 10-24 x 3/4	1
9	55634	Anchor Assy - Air cleaner	1
10	63831	Hose Assy - Fuel line	1
11	63669	. Hose - Fuel	1
12	53679B	. Pickup Assy - Fuel	1
13	61159	. . Filter - Fuel	1
14	61754	Lever Assy - Governor	1
15	104154	. Screw - Set 8-32 x 1/4	1
16	55958	Arm Assy - Governor	1
17	61757	Spring - Governor	1
18		McCulloch Carburetor & Fuel Collector Assys (See Figure 3)	1
19	55934B	Cap Assy - Fuel	1
20	55063	. Filter - Fuel cap	1
21	53766A	. Valve - Check	1
22	101348	"O" Ring - Fuel cap	1
23	104396	Screw - Pan hd 10-24 x 3/4	14
24	63667	Cover - Fuel tank	1
25	-65632	Gasket - Fuel tank	1
26	-63650	Liner - Fuel tank	1
27	-100633	Screw - Skt hd 1/4-20 x 1/2	1
28	105043	Lockwasher	1
29	55948A	Screw - Fuel tank	4
30	58376	Lockplate	1

Item No.	Part Number	Description	Units Per Assy
31	55636	Washer - Insulating	4
32	102189	Washer - #10	2
33	103744	Washer - Sealing	2
34	103740	Screw - Hex hd 8-32 x 7/8	2
35	51480	Lockplate	1
36	57658A	Clamp - Reed	1
37	-66274	Deflector - Fuel	1
38	48593	Valve - Reed	1
39	53685C	Plate - Reed	1
40	-65657	Gasket	1
41	102388	Screw - Hex hd 10-24 x 5/8	3
42	102189	Washer	3
43	55636	Washer - Insulating	2
44	63652	Shield Assy - Fuel tank	1
45	63873	Bottom Assy - Fuel tank	1
46	104504	. Rivet	1
47	101871	. Washer - Plain	1
48	51396A	. Cover Assy - Adjustment hole	1
49	104310	. Pin - Cotter	1
50	60237	. Grommet	2
51	103708	. Bushing	1
52	110054	. Screw - Pan hd 6-32 x 3/8 (SEMS)	2
53	105249	. Screw - 8-32 x 3/8 (SEMS)	3
54	63619	Plate - Lever retaining	1
55	64582	Retainer - Lever	1
56	-63914A	Lever Assy - Compression release	1
57	63827	Spring - Lever	1
58	63870	Emblem - Fuel tank	1

MODEL 895

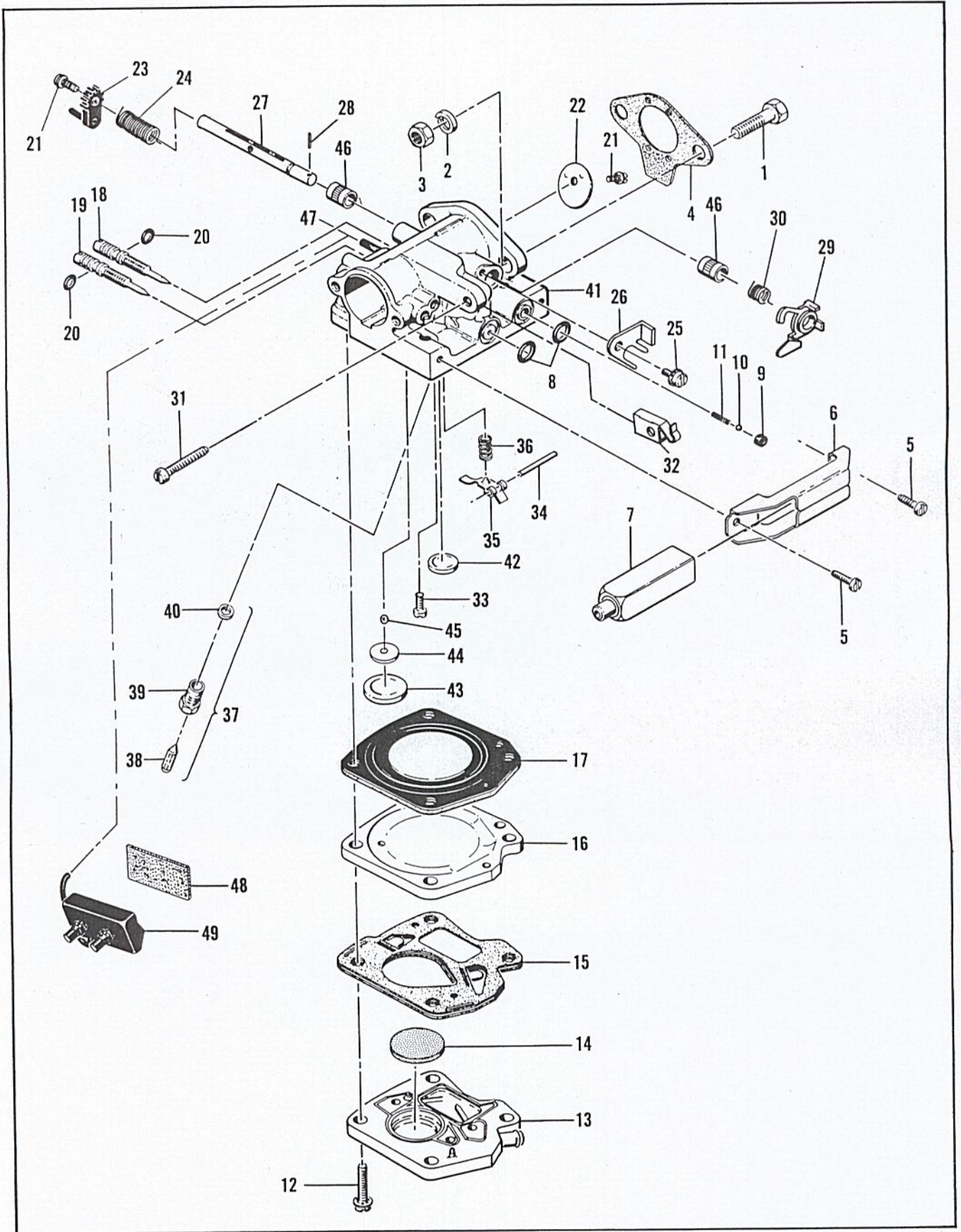


Figure 3. McCulloch Carburetor Assembly

FIGURE 3. CARBURETOR ASSEMBLY

Item No.	Part Number	Description	Units Per Assy
1	100882	Screw - Hex hd 1/4-20 x 3/4	2
2	101476	Lockwasher - 1/4	2
3	103242	Nut - Hex 1/4-20	2
4	- 65586	Gasket - Carburetor	1
	- 66532	Carburetor Assy - McCulloch	1
5	110054	. Screw - Pan hd 6-32 x 3/8	2
6	53440	. Bracket - Primer mounting	1
7	53449	. Primer Assy	1
8	101056	. "O" Ring	2
9	59480	. Seat - Primer valve	1
10	100302	. Ball - Steel 1/8 in. dia.	1
11	28754	. Spring - Primer	1
12	104520	. Screw - 10-24 x 7/8 (SEMS)	4
13	57667	. Body Assy - Fuel pump	1
14	57277A	. . Filter - Fuel pump	1
15	- 66442	. Diaphragm Assy - Fuel pump	1
16	48901	. Plate - Carburetor diaphragm	1
17	55067C	. Diaphragm - Carburetor	1
18	53948	. Needle - Idle adjustment	1
19	53311	. Needle - Main adjustment	1
20	104001	. "O" Ring	2
21	104814	. Screw - Pan hd 4-40 x 1/4 (SEMS)	2
22	61360	. Plate - Throttle	1
23	61901	. Arm - Throttle shaft	1
24	61895	. Spring - Idle governor	1

Item No.	Part Number	Description	Units Per Assy
25	110055	. Screw - 8-32 x 3/8 (SEMS)	1
26	61891	. Clip - Shaft	1
27	61920	. Shaft and Pin Assy	1
28	110301	. . Pin - Groove	1
29	61894A	. Cam Assy	1
30	61906	. Spring - Cam	1
31	62910	. Screw - Idle adjusting	1
32	61108	. Guide - Throttle rod	1
33	104164	. Screw - Pan hd 4-40 x 1/4	1
34	104305	. Pin - Lever	1
35	55688	. Lever - Inlet control	1
36	57172	. Spring - Inlet control	1
37	60163A	. Valve Set - Needle & body	1
38	63038	. . Needle - Inlet control	1
39	58969	. . Body - Inlet control	1
40	55689	. . Washer - Inlet control	1
41	- 66420	. Body Assy - Carburetor	1
42	- 110179	. . Plug - Expansion 1/2	1
43	104407	. . Plug - Expansion 1	1
	61155	. . Set - Ball & Seat	1
44	61152	. . . Seat - Ball valve	1
45	61151	. . . Ball - Valve	1
46	55062A	. . Bushing - Body	2
47	47523	. . Tube - Collector inlet	1
48	58865	Absorber - Fuel	1
49	63651	Collector - Fuel	1

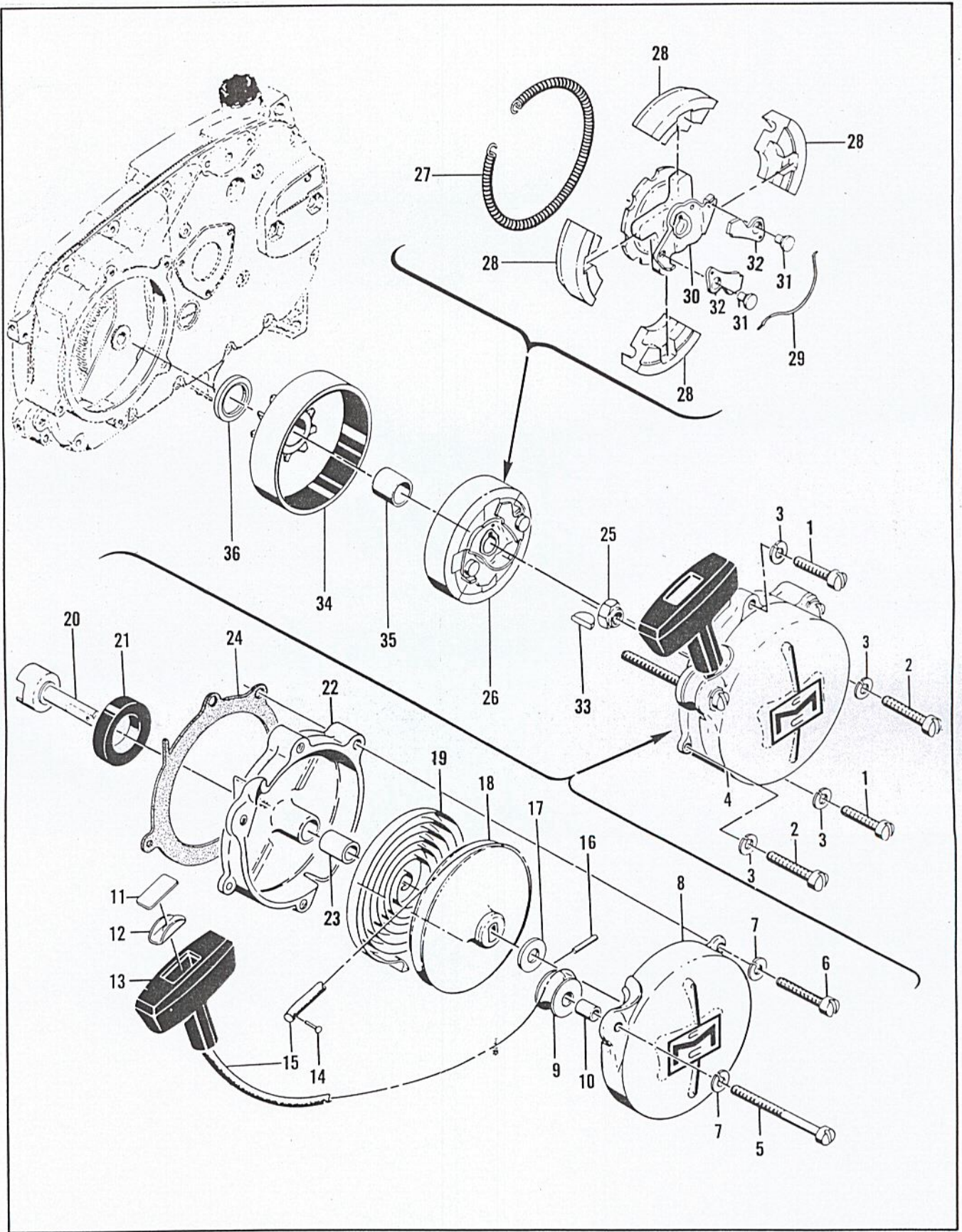


Figure 4. Starter and Clutch Assemblies

FIGURE 4. STARTER AND CLUTCH ASSEMBLIES

Item No.	Part Number	Description	Units Per Assy
1	102212	Screw - Fil hd 10-24 x 1-3/4	2
2	102135	Screw - Fil hd 10-24 x 2	2
3	101194	Lockwasher #10	4
4	55129C	Starter Assy	1
5	103840	. Screw - Fil hd 10-24 x 3-1/2	1
6	102135	. Screw - Fil hd 10-24 x 2	1
7	101194	. Lockwasher #10	2
8	55024B	. Cover - Starter	1
9	51138	. Pulley - Starter rope	1
10	103536	. Bearing - Starter pulley	1
11	57232	. Plate - Starter handle	1
12	57231	. Cup - Starter handle	1
13	57230	. Handle - Starter	1
14	101136	. Rivet	1
15	28716	. Rope - Starter	1
16	103047	. Pin - Roll	1
17	104457	. Washer - 3/8	1
18	55871	. Drum - Starter	1

Item No.	Part Number	Description	Units Per Assy
19	51665	. Spring - Rewind	1
20	-55110A	. Shaft - Starter	1
21	104439	. Seal - Oil	1
22	51649B	. Base Assy - Starter	1
23	55591	. . Bearing - Starter base	1
24	55983	Gasket - Starter base	1
25	103746	Nut - Flexloc 3/8-24	1
26	61227	Clutch Assy	1
27	58850	. Spring - Shoe retaining	1
28	61228	. Shoe - Clutch	4
29	28766A	. Spring - Starter pawl	1
30	61322	. Rotor & Pawl Assy - Clutch	1
31	28917	. . Pin - Starter pawl	1
32	28765	. . Pawl - Starter	1
33	103879	Key - Woodruff	1
34	61321	Drum & Liner Assy - Clutch	1
35	51700	. Bushing - Clutch drum	1
36	53713	Spacer - Clutch drum	1

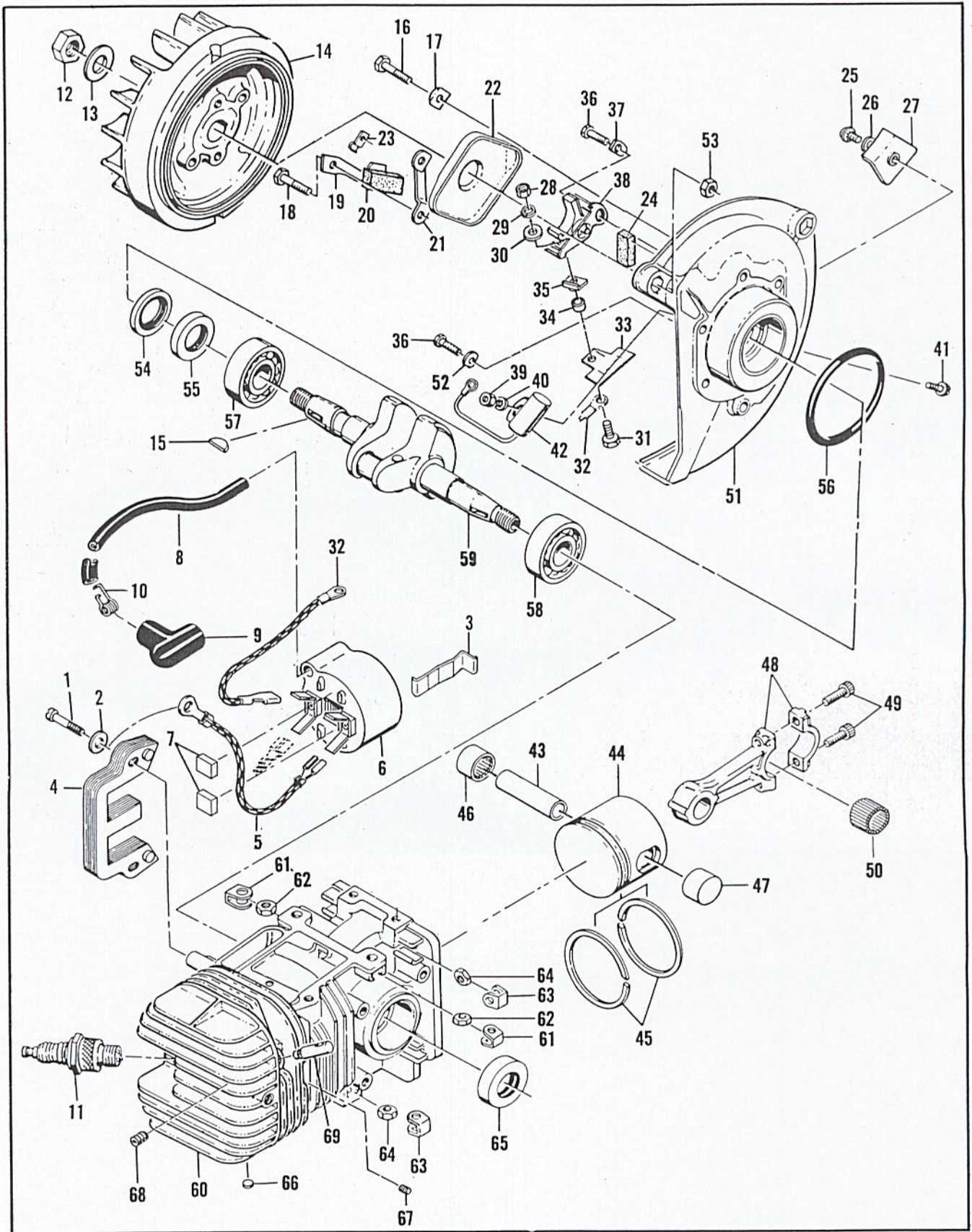


Figure 5. Powerhead Assembly

FIGURE 5. POWERHEAD ASSEMBLY

Item No.	Part Number	Description	Units Per Assy
1	-104815	Screw - Hex hd 10-24 x 7/8	2
2	-100352	Washer - #10	2
3	-51253	Retainer - Coil	1
4	51251	Lamination Assy - Coil	1
5	63639	Wire Assy - Ground	1
6	-67921	Coil and Terminal Assy	1
7	-67863	. Spacer - Lamination	2
8	63640	. Wire Assy - Spark plug	1
9	62926	. . Boot - Spark plug	1
10	62932	. . Connector - Spark plug wire	1
11	63097	Plug - Spark 14 mm	1
12	101179	Nut - Hex 7/16	1
13	101270	Washer - Special	1
14	-65765	Flywheel Assy	1
15	103879	Key - Woodruff	1
16	102763	Screw - Hex hd 10-24 x 3/4	2
17	36388	Lockplate	1
18	102763	Screw - Hex hd 10-24 x 3/4	4
19	57815	Strap - Seal	1
20	50664	Seal - Breaker box drain	1
21	55977	Clip - Breaker box cover	2
22	55766B	Cover - Breaker box	1
23	104230	Speednut	1
24	54184	Wiper - Felt	1
25	110055	Screw - 8-32 x 3/8 (SEMS)	1
26	100080	Washer - #8	1
27	57829	Clamp - Ignition wire	1
28	104551	Nut - Hex 8-32	1
29	104553	Lockwasher	1
30	100080	Washer - #8	1
31	110338	Screw - Hex hd 8-32 x 1/2	1
32	63628	Wire Assy - Primary	1
33	55782A	Insulator - Primary wire assy	1
34	57769	Insulator - Ignition screw	1
35	57770A	Insulator - Breaker spring	1
36	104733	Screw - 8-32 x 1/2 (SEMS)	2

Item No.	Part Number	Description	Units Per Assy
37	57767A	Lockplate	1
38	-57765B	Breaker Assy	1
39	-100251	Nut - Hex 8-32	1
40	100057	Lockwasher - #8	1
41	104733	Screw - 8-32 x 1/2 (SEMS)	1
42	61650	Condenser	1
43	62866	Pin - Piston	1
44	62877	Piston Assy - 2.217 in. dia. (Also see Oversize Assys)	1
45	58353	. Ring Set - Piston 2.217	1
46	62867	. Bearing - Needle	1
47	62868	. Bearing - Needle (closed end)	1
48	47903	Connecting Rod Assy	1
49	60210A	. Screw - Skt hd 10-32 x 5/8	2
50	102742	. Roller - Needle	24
51	57827A	Crankcase Cover Assy	1
52	55778E	. Washer - Breaker retainer	1
53	101326	. Nut - Hex 10-24	2
54	57897	. Seal - Oil	1
55	57898	. Seal - Oil	1
56	104523	"O" Ring	1
57	100824	Bearing - Ball	1
58	104490	Bearing - Ball	1
59	58128	Crankshaft	1
60	-67421	Cylinder Assy - Crankcase	1
61	28053	. Retainer - Nut	2
62	101326	. Nut - Hex 10-24	2
63	18556A	. Retainer - Nut	6
64	105394	. Nut - Hex 1/4-20	6
65	57732	. Seal - Oil	1
66	110340	. Plug - Expansion	3
67	110034	. Insert - Taplok	3
68	103614	. Screw - Skt hd 1/4-20 x 3/8	1
69	63615	. Valve - Compression release	1

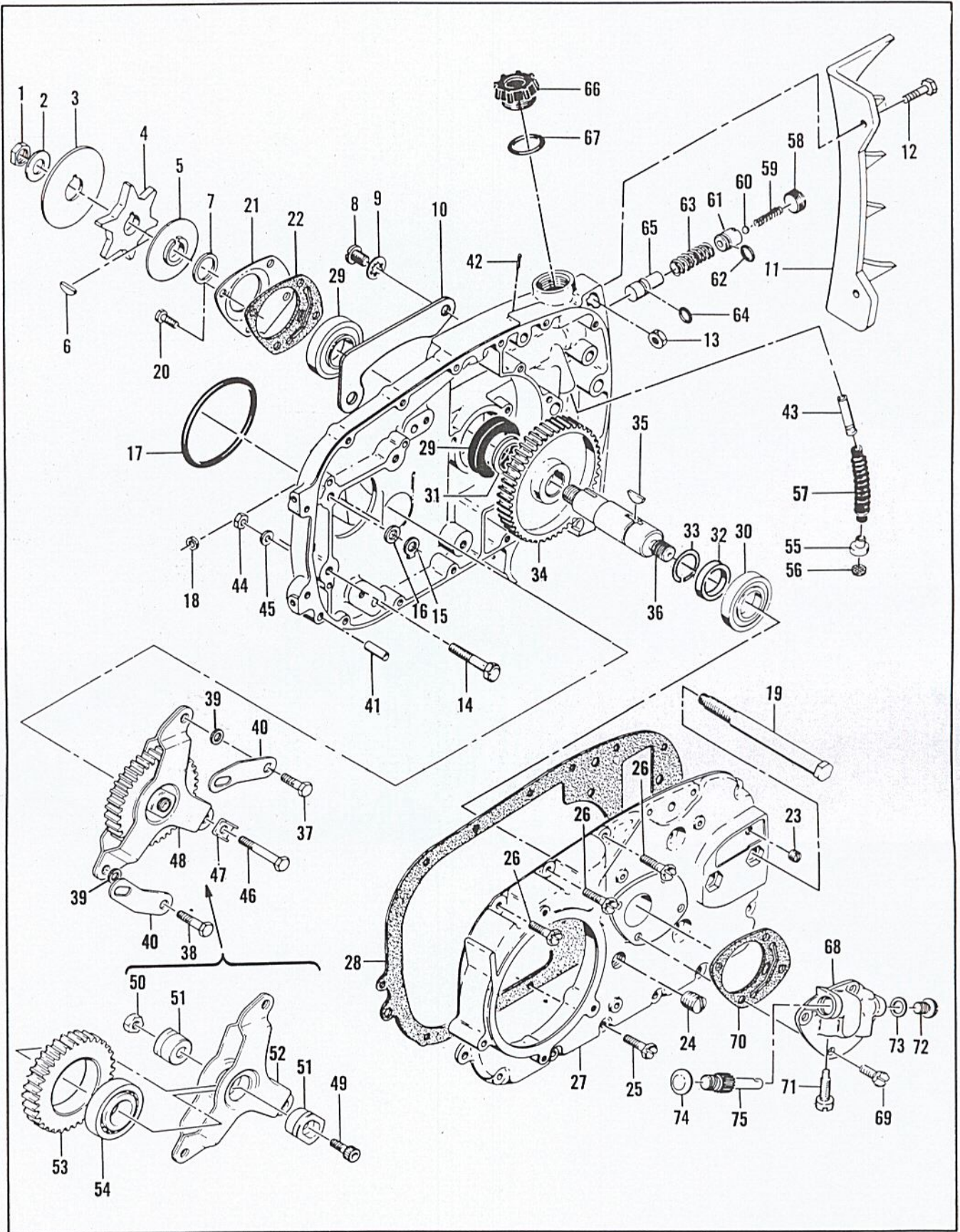


Figure 6. Transmission Assembly

FIGURE 6. TRANSMISSION ASSEMBLY

Item No.	Part Number	Description	Units Per Assy
1	60972	Nut - Special	1
2	100593	Washer - 7/16	1
3	51627	Plate - Chain guide	1
4	36791A	Sprocket - 7 tooth, 9/16 inch pitch	1
	36790A	Sprocket - 6 tooth, 9/16 inch pitch	Alternate
	36644A	Sprocket - 7 tooth, 1/2 inch pitch	Alternate
	36020B	Sprocket - 6 tooth, 1/2 inch pitch	Alternate
	52069A	Sprocket - 7 tooth, 0.404 inch pitch	Alternate
5	36019A	Shroud - Sprocket	1
6	100256	Key - Woodruff #6	1
7	55737	Spacer - Sprocket	1
8	102415	Screw - Pan hd 10-24 x 3/8	2
9	101194	Lockwasher	2
10	61224	Cover - Pushrod	1
11	61783	Kit - Spike	1
12	100882	. Screw - Hex hd 1/4-20 x 3/4	2
13	105394	. Nut - Hex 1/4-20	2
14	103258	Screw - Hex hd 1/4-20 x 1-1/8	3
15	36306	Lockplate	1
16	100004	Washer 1/4	1
17	104535	"O" Ring	1
18	-57736	Washer - Oiler rod felt	1
	60633	Transmission Assy 2:1	1
19	51631A	. Bolt - Bar mounting	2
20	104835	. Screw - Pan hd 10-24 x 1/2	4
21	60408	. Retainer - Bearing	1
22	60409	. Gasket - Retainer	1
23	104869	. Plug - Pipe 1/16-27	1
24	104218	. Plug - Pipe 3/8-18	1
25	103464	. Screw - Hex hd 10-24 x 3/4 (SEMS)	11
26	103947	. Screw - Hex hd 10-24 x 1 (SEMS)	3
27	58779	. Cover - Gearcase	1
28	-65652	. Gasket - Gearcase cover	1
29	104298	. Seal - Oil	1
30	101039	. Bearing	2
31	55715	. Spacer - Gear	1
32	60407	. Spacer - Gear	1
	60420	. Shaft & Sprocket Gear Assy	1
33	104451	. . Ring - Retaining	1
34	57999	. . Gear - Sprocket drive	1
35	55953	. . Key - Sprocket gear	1
36	-60470A	. . Shaft - Sprocket	1
	60461	. Gearcase Assy	1
37	103280	. . Screw - Hex hd 1/4-28 x 5/8	1
38	102901	. . Screw - Hex hd 1/4-28 x 1	1
39	30351884	. . Washer - 1/4	2
40	60186	. . Strap - Idler yoke	2
41	100993	. . Pin - Dowel	1
42	100010	. . Pin - Cotter	1

Item No.	Part Number	Description	Units Per Assy
43	60389	. . Valve Assy - Check	1
44	100640	. Nut - Hex 1/4-28	2
45	100004	. Washer - 1/4	1
46	104351	. Screw - Hex hd 1/4-28 x 1-13/32	1
47	55539	. Lockplate - Yoke	1
48	55722	. Gear and Yoke Assy	1
49	100201	. . Screw - Socket hd 1/4-28 x 1/2	1
50	100640	. . Locknut - Hex 1/4-28	1
51	57493	. . Hub - Bearing	2
52	53820	. . Yoke Assy	1
53	55728	. . Gear - Idler	1
54	100824	. . Bearing - Ball	1
55	51505	. Weight Assy	1
56	51506	. . Screen - Pickup	1
57	28007	. Hose - Pickup	1
58	51755	. Plug - Oiler valve	1
59	51944	. Spring	1
60	100549	. Ball - Steel 0.188 in. dia.	1
	60622A	. Body Assy - Oiler	1
61	57721B	. . Body - Oiler	1
62	101056	. . "O" Ring	1
63	19236	. Spring - Oiler	1
	51472	. Piston Assy - Oiler	1
64	101056	. . "O" Ring	1
65	36126	. . Piston - Oiler	1
66	57129A	. Cap - Filler	1
67	101148	. "O" Ring	1
68	-60466D	Pump & Gasket Assy - Oiler (2:1)	1
69	110172	. Screw - Special	4
70	60409	. Gasket - Oiler pump	1
71	61398	. Screw - Special	1
72	60959	. Plug - Special	1
73	60964	. Shim - 0.015 in.	AR
74	104791	. Plug - Expansion 5/8 in.	1
75	61810	. Plunger - Oiler pump (2:1)	1
	60464	Transmission Assy - 3:1 Conversion Complete	1
	60463	Transmission Assy - 3.6:1 Conversion Complete	1
	60348B	Kit - Clutch & Drum Assy (3.6:1 Transmission)	1
	60349B	Kit - Clutch & Drum Assy (2:1 & 3:1 Transmission)	1
	60462	Gear Set - Idler & sprocket (2:1 Transmission)	1
	62115	Gear Set - 3:1 Transmission Conversion	1
	62114	Gear Set - 3.6:1 Transmission Conversion	1
	-60914D	Pump & Gasket Assy - Oiler (3:1 Transmission)	1
	-60915D	Pump & Gasket Assy - Oiler (3.6:1 Transmission)	1

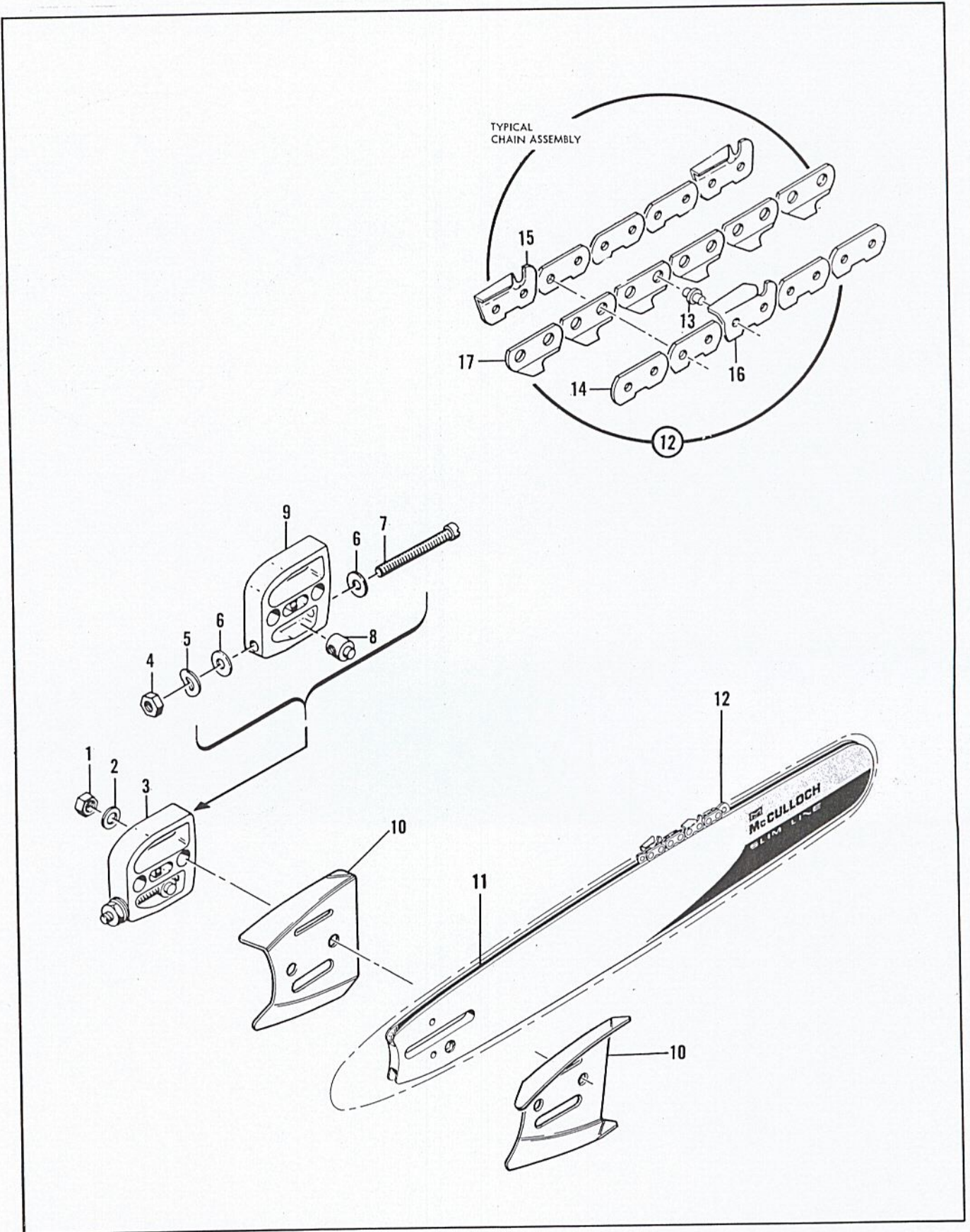


Figure 7. Lockplate Adjusting Assembly, Bar and Chain

FIGURE 7. LOCKPLATE ADJUSTING ASSEMBLY, BAR AND CHAIN

Item No.	Part Number	Description	Units Per Assy
1	103729	Nut - Hex 3/8-24	2
2	100393	Washer - 3/8 in.	2
3	52211D	Lockplate Adjusting Assy	1
4	100640	. Nut - Hex 1/4-28	1
5	102813	. Washer - Spring	1
6	102843	. Washer - Plain 1/4 in.	2
7	103919	. Screw - Fil hd 1/4-28 x 2-1/2	1
8	52207C	. Nut - Adjusting	1
9	52206B	. Lockplate	1

Item No.	Part Number	Description	Units Per Assy
10	-64935	Bar Plate	2
11		Typical McCulloch Bar	1
12		Typical Chain Assy	1
13		. Rivet	
14		. Side Link	
15		. Cutter - L.H.	
16		. Cutter - R.H.	
17		. Center Link	

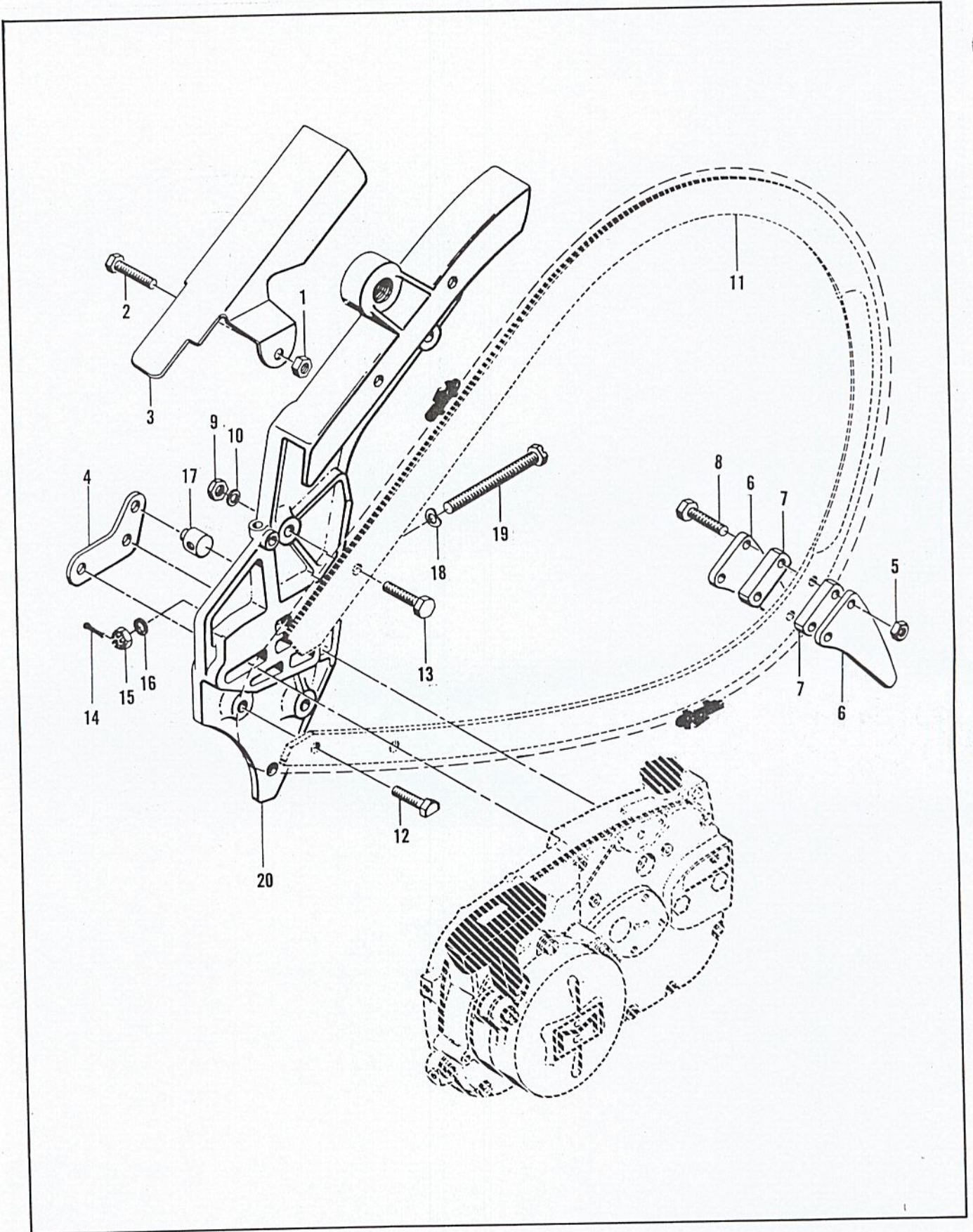


Figure 8. Plunge Bow Saw Assembly

FIGURE 8. PLUNGE BOW SAW ASSEMBLY

Item No.	Part Number	Description	Units Per Assy
	55152	Plunge Bow Saw Assy (less track)	1
1	*101143	. Nut - Hex 1/4-20	1
2	*102128	. Screw - Hex hd 1/4-20 x 1-1/4	1
3	*57494A	. Guard - Chain (bow saw)	1
4	*51674	. Plate - Adjusting	1
5	*101143	. Nut - Hex 1/4-20	2
6	*28256	. Spike	2
7	*28259A	. Spacer	2
8	*102130	. Bolt - Hex hd 1/4-20 x 1-1/2	2
9	*101143	. Nut - Hex 1/4-20	4
10	*100004	. Washer - Plain 1/4 in.	4

Item No.	Part Number	Description	Units Per Assy
11		. Track (available through dealers)	1
12	*51955	. Bolt - Special 1/4-20 x 1	1
13	*101982	. Bolt - Hex hd 1/4-20 x 1	1
14	101495	. Pin - Cotter 0.09 in. dia. x 1/2	1
15	102022	. Nut - Castle 5/16-24	1
16	100007	. Washer - Plain 5/16 in.	1
17	19708	. Nut - Adjusting	1
18	24260	. Spring - Thrust	1
19	102193	. Screw - Adjusting	1
20	51672	. Body Assy	1

*Contained in loose parts package.

MODEL 895

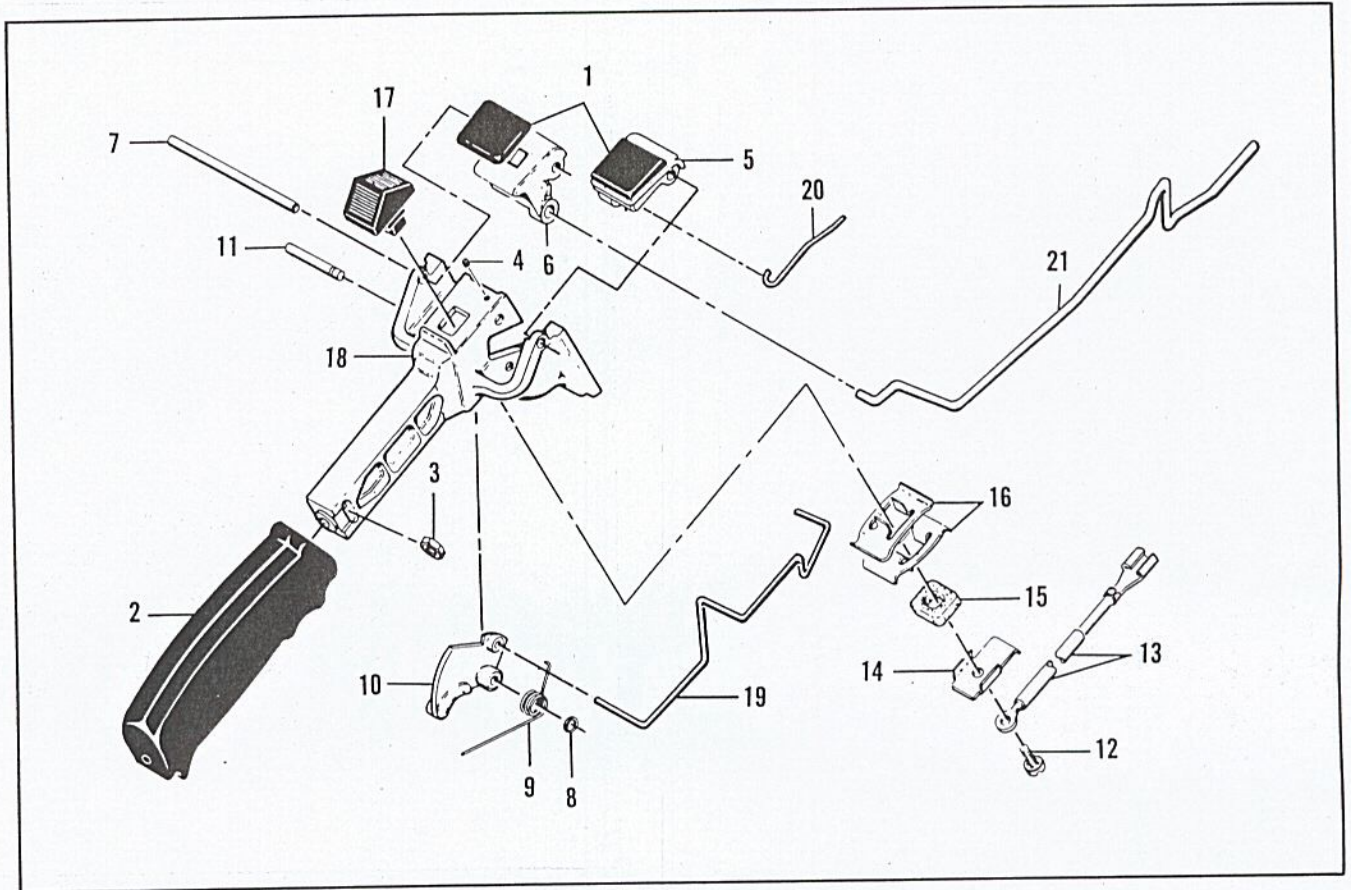


Figure 9. Handle and Control Assembly

FIGURE 9. HANDLE AND CONTROL ASSEMBLY

Item No.	Part Number	Description	Units Per Assy
1	55670	Grommet	2
	- 64860	Handle & Control Assy	1
2	55624A	. Grip - Handle	1
3	101326	. Nut - Hex 10-24	1
4	104484	. Screw - Set 8-32 x 1/4	1
5	55968A	. Button - Primer control	1
6	55969A	. Button - Oiler control	1
7	51344A	. Shaft - Primer & oiler buttons	1
8	104501	. Retainer - Trigger pin	1
9	55674	. Spring - Trigger return	1
10	63663	. Trigger	1
11	50507	. Pin - Trigger	1

Item No.	Part Number	Description	Units Per Assy
12	103672	. Screw - Fil hd 8-32 x 1/2 (SEMS)	1
13	63662	. Wire Assy - Stop switch	1
14	51279	. Contact - Switch	1
15	51555	. Insulator - Switch	1
16	51554A	. Detent - Switch	2
17	57718	. Button - Switch	1
18	55986	. Handle	1
19	61907	Pushrod - Throttle	1
20	53583A	Pushrod - Primer	1
21	57719	Pushrod - Oiler	1

TOOLS AND ACCESSORIES

Part Number	Description
- 61040	Wrench & Screwdriver Combination
63688	Owner's Manual
- 64797	Wrench - Spark plug
101522	Wrench - Spark Arrester
- 65712	Guide - Timing
63173	Spark Arrester - Half quiet
63174	Spark Arrester - Full quiet
- 63432	Spark Plug - AC CS 42T
62878	Piston Assy - 2.228 in. dia.
58394	. Ring Set - 2.227 in. dia.
62879	Piston Assy - 2.238 in. dia.

Part Number	Description
58354	. Ring Set - 2.237 in. dia.
62880	Piston Assy - 2.248 in. dia.
58395	. Ring Set - 2.247 in. dia.
62883	Piston Assy - 2.218 in. dia. (wide rings)
62422	. Ring Set - 2.218 in. dia. (wide)
62884	Piston Assy - 2.248 in. dia. (wide rings)
62423	. Ring Set - 2.248 in. dia. (wide)