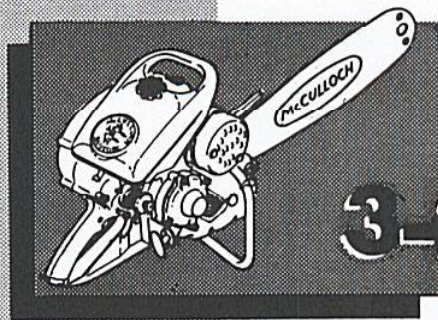
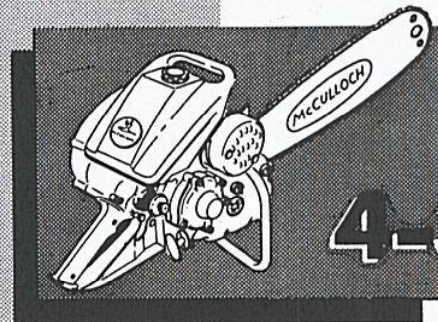


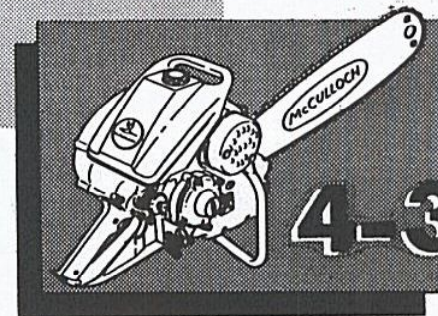
ILLUSTRATED PARTS LIST



3-25



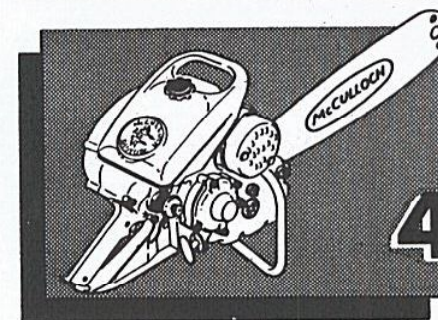
4-30



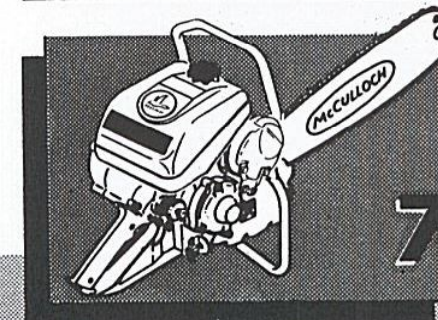
4-30A

This Master Illustrated Parts List gives the name, number and interchangeability between engines, of service and replacement parts which were used on or are presently available for installation on the listed chain saw models.

Information about the List and how to use it will be found on the back cover. Read the information before you start to use the List.



47



73

No. 56773



McCULLOCH CORPORATION
Los Angeles 45, California.

3-25, 4-30 SERIES ENGINES

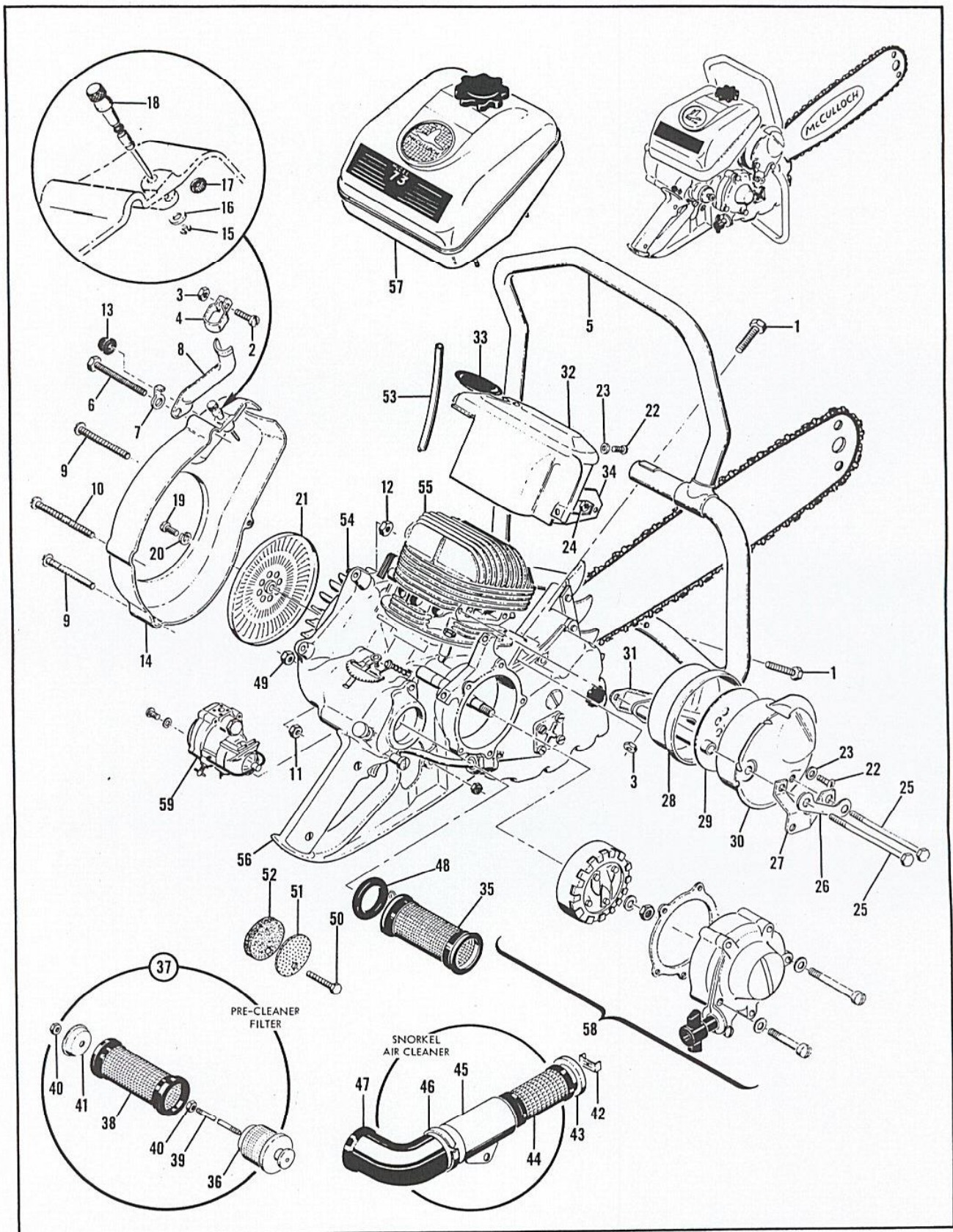


Figure 1. Model 3-25, 4-30, 4-30A, 47 and 73 Chain Saw Engines

3-25, 4-30 SERIES ENGINES

FIGURE 1. MODEL 3-25, 4-30, 4-30A, 47 AND 73 CHAIN SAW ENGINES.

FIG. & INDEX NO.	PART NO.	DESCRIPTION 1 2 3 4 5 6 7	UNITS PER ASSY	USABLE ON CODE
Code: "A" indicates parts used on Model 3-25 engines. "B" indicates parts used on Model 4-30 engines. "C" indicates parts used on Model 4-30A engines. "D" indicates parts used on Model 47 engines. "E" indicates parts used on Model 73 engines. "All" indicates parts used on all five models.				
1-1	102130	Screw - Hex hd 1/4-20 x 1-1/2 in. lg	3	All
-2	103266	Screw - Fil hd 1/4-20 x 3/4 in. lg	1	E
-3	101143	Nut - Hex 1/4-20	3	All
-4	18761A	Clamp	1	E
-5	28213	Frame Assembly	1	ABCD
	47333A	Frame and Spacer Assembly	1	E
-6	101998	Screw - Rd hd 1/4-20 x 2-1/4 in. lg	1	A
	101993	Screw - Rd hd 10-24 x 1-1/2 in. lg	1	CD
	102765	Screw - Hex hd 10-24 x 1-3/4 in. lg	1	BE
-7	28052A	Lockplate	1	E
-8	28606A	Support Assembly - Handle bar	1	E
-9	101994	Screw - Rd hd 10-24 x 1-3/4 in. lg	2	AB
	101993	Screw - Rd hd 10-24 x 1-1/2 in. lg	2	CDE
-10	101997	Screw - Rd hd 1/4-20 x 1-3/4 in. lg	1	All
-11	101191	Nut - Hex 10-24	1	All
-12	101326	Nut - Hex 10-24	1	BCD
	101191	Nut - Hex 10-24	1	AE
-13	19224	Grommet - Frame (Used only with original Frame #19225 and original Housing Assembly #19100A - Both no longer available)	1	A
-14	28316B	Fan Housing Assembly	1	All
-15	101913	. Clip - Spring	1	All
-16	100004	. Washer - Plain 1/4 in.	1	All
-17	28049	. Spring - Ignition shut off	1	All
-18	28048A	. Shaft - Ignition shut off	1	All
-19	101988	Screw - Fil hd 10-24 x 3/8 in. lg	1	All
-20	101194	Lockwasher - No. 10	1	All
-21	19007B	Guard - Sawdust	1	All
-22	101988	Screw - Fil hd 10-24 x 3/8 in. lg	2	All
-23	100002	Washer	2	AB
	100003	Washer - Plain No. 10	2	CDE
-24	101191	Nut - Hex 10-24	1	All
	47282	Muffler Assembly	1	All
-25	102172	. Screw - Hex hd 1/4-20 x 4 in. lg	2	All
-26	28341A	. Lockplate	1	All
-27	28822	. Bracket	1	All
-28	28505	. Bottom - Muffler	1	All
-29	47595	. Baffle Assembly - Muffler	1	All
-30	28798	. Top - Muffler	1	All
-31	28501	Gasket - Exhaust	1	All
-32	19851A	Shroud - Cylinder	1	AB
	28225A	Shroud - Cylinder	1	CD
	28782	Shroud - Cylinder	1	E
-33	19696A	Cover Assembly - Spark plug	1	All
-34	28222A	Jacket - Cylinder	1	All
-35	28750	Air Filter Assembly	1	E
	19792	Filter Assembly - Pre cleaner	1	ABCD
-36	19788	. Body Assembly - Pre cleaner	1	ABCD
-37	19791	. Air Filter and Rod Assembly	1	ABCD
-38	19483A	. . Filter Assembly - Air	1	ABCD
-39	19793	. . Rod - Air filter	1	ABCD
-40	101191	. . Nut - Hex 10-24	2	ABCD
-41	19510A	. . Retainer - Air filter	1	ABCD
	28623	Snorkel Air Cleaner	Alternate	BCDE
-42	103385	. Nut	1	BCDE

3-25, 4-30 SERIES
ENGINES

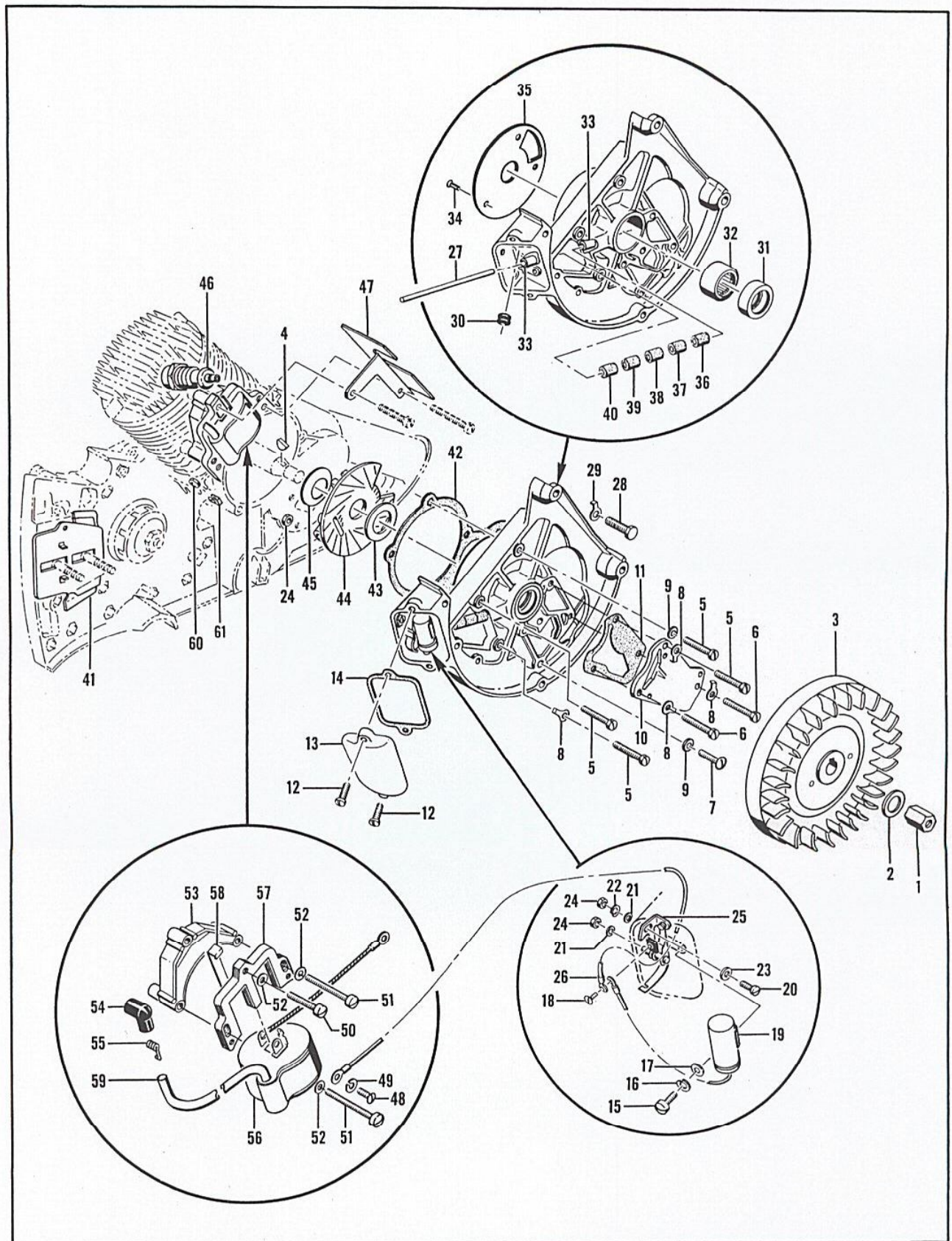


Figure 2. Ignition System, Flywheel, Crankcase Cover and Rotary Valve

FIGURE 1. (CONT)

FIG. & INDEX NO.	PART NO.	DESCRIPTION							UNITS PER ASSY	USABLE ON CODE
		1	2	3	4	5	6	7		
1-43	28629	.	Cap						1	BCDE
-44	28639	.	Screen Assembly						1	BCDE
-45	28635	.	Tube Assembly						1	BCDE
-46	28636	.	Clamp						1	BCDE
-47	28622	.	Duct						1	BCDE
-48	28903		Gasket - Air cleaner cover						1	CDE
			Model 73 Air Passage Sealing Units						1	E
-49	101191	.	Nut - Hex 10-32						1	E
-50	28898	.	Bolt						1	E
-51	28897	.	Plate						1	E
-52	28896	.	Filter						1	E
-53	101271		Fuel Line						1	A
	19649A		Hose - Fuel delivery						1	BCDE
-54			Ignition System, Flywheel, Crankcase Cover and Rotary Valve (See figure 2)						1	All
-55			Cylinder, Piston and Gearcase (Model 3-25 only) (See figure 3) ..						1	A
			Cylinder, Piston and Gearcase (See figure 4)						1	BCDE
-56			Crankcase and Bar Adjusting Lockplate (Model 3-25 only) (See figure 5)						1	A
			Crankcase and Bar Adjusting Lockplate (See figure 6)						1	BCDE
-57			Fuel Tank (See figure 7)						1	All
-58			Starter and Clutch Assembly (See figure 8)						1	All
-59			Model 3-25 Carburetor (See figure 10)						1	A
			Model 4-30, 4-30A, 47 and 73 Carburetors (See figure 9)						1	BCDE

FIGURE 2. IGNITION SYSTEM, FLYWHEEL, CRANKCASE COVER AND ROTARY VALVE.

FIG. & INDEX NO.	PART NO.	DESCRIPTION							UNITS PER ASSY	USABLE ON CODE
		1	2	3	4	5	6	7		
2-1	19521		Nut - Crankshaft						1	All
-2	101270		Washer						1	AB
	101271		Washer						1	CDE
-3	28345		Flywheel Assembly						1	All
-4	100199		Key - Woodruff No. 404						1	All
-5	102126		Screw - Fil hd 10-24 x 1 in. lg						4	A
	102290		Screw - Hex hd 10-24 x 1-1/8 in. lg						4	B
	102760		Screw - Hex hd 10-24 x 1 in. lg						4	CDE
-6	101978		Screw - Fil hd 10-24 x 1-1/8 in. lg						2	A
	102290		Screw - Hex hd 10-24 x 1-1/8 in. lg						2	BCDE
-7	101190		Screw - Rd hd 10-24 x 5/8 in. lg						1	A
	102289		Screw - Hex hd 10-24 x 3/4 in. lg						1	BCDE
-8	28052		Lockplate						4	BCDE
-9	100002		Washer						2	BCDE
-10	19115		Cover - Venturi						1	A
	28115		Cover - Venturi						1	BD
	28773A		Cover - Venturi						1	C
	28756		Cover - Venturi						1	E
-11	19116		Gasket - Venturi cover						1	A
	28116		Gasket - Venturi cover						1	BD
	28774		Gasket - Venturi cover						1	CE
-12	101965		Screw - Fil hd 10-24 x 7/8 in. lg						2	All
-13	19454A		Cover - Breaker						1	All
-14	19088A		Gasket - Breaker cover						1	All
-15	100696		Screw - Fil hd 8-32 x 5/8 in. lg						1	All
-16	100459		Lockwasher - No. 8						1	BCDE

Code: "A" indicates parts used on Model 3-25 engines.
 "B" indicates parts used on Model 4-30 engines.
 "C" indicates parts used on Model 4-30A engines.
 "D" indicates parts used on Model 47 engines.
 "E" indicates parts used on Model 73 engines.
 "All" indicates parts used on all five models.

3-25, 4-30 SERIES
ENGINES

FIGURE 2. (CONT)

FIG. & INDEX NO.	PART NO.	DESCRIPTION							UNITS PER ASSY	USABLE ON CODE
		1	2	3	4	5	6	7		
2-17	100080	Washer - Plain							1	BCDE
-18	103934	Screw - Rd hd 6-32 x 1/4 in. lg							1	All
-19	100075	Condenser							1	All
-20	101991	Screw - Fil hd 10-24 x 1/2 in. lg							1	A
	24626	Screw							1	BCDE
-21	100003	Washer - Plain No. 10							3	CD
	100002	Washer							3	ABE
-22	100436	Lockwasher							1	A
-23	100007	Washer							1	BCDE
-24	101326	Nut - Hex 10-24							3	CD
	101191	Nut - Hex 10-24							2	A
	101191	Nut - Hex 10-24							3	BE
-25	19894A	Breaker Point Assembly							1	All
-26	100768	Wire - Switch							1	All
-27	19087	Push Rod - Breaker							1	All
-28	102128	Screw - Hex hd 1/4-20 x 1-1/4 in. lg							1	CDE
-29	36306	Lockplate							1	CDE
	19078A	Cover Assembly - Crankcase							1	A
	28318	Cover Assembly - Crankcase (Not available - Order Cover and Bearing Assembly #47575)							1	CE
	28078	Cover Assembly - Crankcase							1	BD
-30	100283	. Grommet - Rubber							1	AB
	28322	. Grommet - Rubber							1	CDE
-31	101304	. Oil Seal							1	All
-32	100247	. Bearing							1	A
	102445	. Bearing							1	BCDE
	28319	. Cover and Wearplate Assembly (Not available - Order Cover and Bearing Assembly #47575							1	C
	28062	. Cover and Bearing Assembly - Crankcase							1	BD
	28759	. Cover - Crankcase (Not available - Order Cover and Bearing Assembly #47575)							1	E
-33	24317	. . Bushing - Push rod							2	AB
	28565	. . Bushing - Push rod							2	CDE
-34	102217	. . Rivet (Code "A": Not supplied with Cover Assembly #19078A - Order separately)							3	ABCD
-35	19809	. . Wearplate - Crankcase (Code "A": Not supplied with Cover Assembly #19078A - Order separately)..							1	ABD
	28601	. . Plate - Wear							1	CE
Replacement Cover and Bearing Assembly #47575										
	47575	Cover and Bearing Assembly							1	CE
-30	28322	. Grommet - Rubber							1	CE
-31	101304	. Oil Seal							1	CE
-32	102445	. Bearing							1	CE
-33	28565	. Bushing - Push rod							2	CE
-36	24321	Washer - Felt							1	All
-37	24321	Washer - Felt							1	ABCD
-38	24321	Washer - Felt							1	ABD
-39	24321	Washer - Felt							2	A
-40	28092	Washer - Felt							1	BD
-41	28066A	Protector - Crankcase							1	BCDE
-42	19079	Gasket - Crankcase cover							1	A
	28079A	Gasket - Crankcase cover (Used with blow-by type filters)							1	BCDE
	28079B	Gasket - Crankcase cover (Used with Snorkel Air Filter).....							Alternate	BCDE
-43	101214	Washer							1	All
-44	19010	Rotary Valve							1	A
	28103	Rotary Valve Assembly							1	BD
	28313	Valve Assembly - Rotary							1	CE
-45	11032	Spring - Valve							1	All
-46		Spark Plug and Gasket - 14 mm							1	All
-47	28162	Air Deflector							1	B

FIGURE 2. (CONT)

FIG. & INDEX NO.	PART NO.	DESCRIPTION							UNITS PER ASSY	USABLE ON CODE
		1	2	3	4	5	6	7		
2-48	103934	Screw - Rd hd 6-32 x 1/4 in. lg							1	All
-49	100252	Lockwasher							1	A
-50	101969	Screw - Fil hd 10-24 x 1-1/2 in. lg							1	ABD
	101965	Screw - Fil hd 10-24 x 7/8 in. lg							1	CE
-51	101970	Screw - Fil hd 10-24 x 2 in. lg							2	ABD
	101965	Screw - Fil hd 10-24 x 7/8 in. lg							2	CE
-52	102189	Washer							3	D
-53	19405	Bridge							1	ABD
	36307	Cover Assembly - Spark plug							1	All
-54	102555	. Cover - Spark plug							1	All
-55	102556	. Connector - Spark plug spring							1	All
-56	19593C	Coil Assembly							1	All
-57	19032	Lamination Assembly							1	All
-58	19034	Retainer - Lamination							2	All
-59	102839	Wire - Spark plug							1	All
-60	101191	Nut - Hex 10-24							1	All
-61	28053	Retainer - Nut							1	BCDE

FIGURE 3. CYLINDER, PISTON AND GEARCASE (MODEL 3-25 ENGINES ONLY).

FIG. & INDEX NO.	PART NO.	DESCRIPTION							UNITS PER ASSY	USABLE ON CODE
		1	2	3	4	5	6	7		

Code: "A" indicates parts used on Model 3-25 engines.

3-1	101885	Screw - Hex hd 1/4-28 x 7/8 in. lg							4	A
-2	100004	Washer - Plain 1/4 in.							4	A
-3	100640	Nut - Lock 1/4-28							4	A
-4	18556A	Retainer - Nut							2	A
-5	19021	Cylinder							1	A
-6	19026	Gasket - Cylinder							1	A
	19020A	Piston Assembly (Not available - Order replacement Piston Assembly #19931A)							1	A
-7	47253	. Ring Set							1	A
-8	24336	. Ring - Retaining							2	A
-9		. Piston (Not available - Order Piston Assembly #19931A)...							1	A

Replacement Piston Assembly #19931A

	19931A	Piston Assembly							1	A
-7	51747	. Ring Set (Top chrome ring)							1	A
-8	24336	. Ring - Retaining							2	A
-9		. Piston (Not available - Order Piston Assembly #19931A)...							1	A

-10	19018	Pin - Piston							1	A
-11	19016A	Connecting Rod Assembly							1	A
-12	19535	. Bushing - Connecting rod							1	A
-13	101205	. Screw - Socket hd 10-32 x 3/4 in. lg							2	A
-14	19822	. Cage Assembly - Bearing (3 pieces)							1	A
-15	101035	. Needle - Roller							15	A
-16		. Rod - Connecting (Not available - Order Connecting Rod Assembly #19016A)							1	A
-17	102101	Screw - Hex hd 10-24 x 7/8 in. lg							3	A
-18	28051	Lockplate							1	A
-19	101992	Screw - Rd hd 10-24 x 7/8 in. lg							5	A
-20	101999	Screw - Rd hd 1/4-20 x 2-3/4 in. lg							1	A
-21	100289	Washer							1	A
-22	101989	Screw - Rd hd 10-24 x 1/2 in. lg							2	A
-23	101995	Screw							1	A
-24	100002	Washer							3	A
-25	101191	Nut - Hex 10-24							6	A
-26	19064A	Cover Assembly - Gear case							1	A

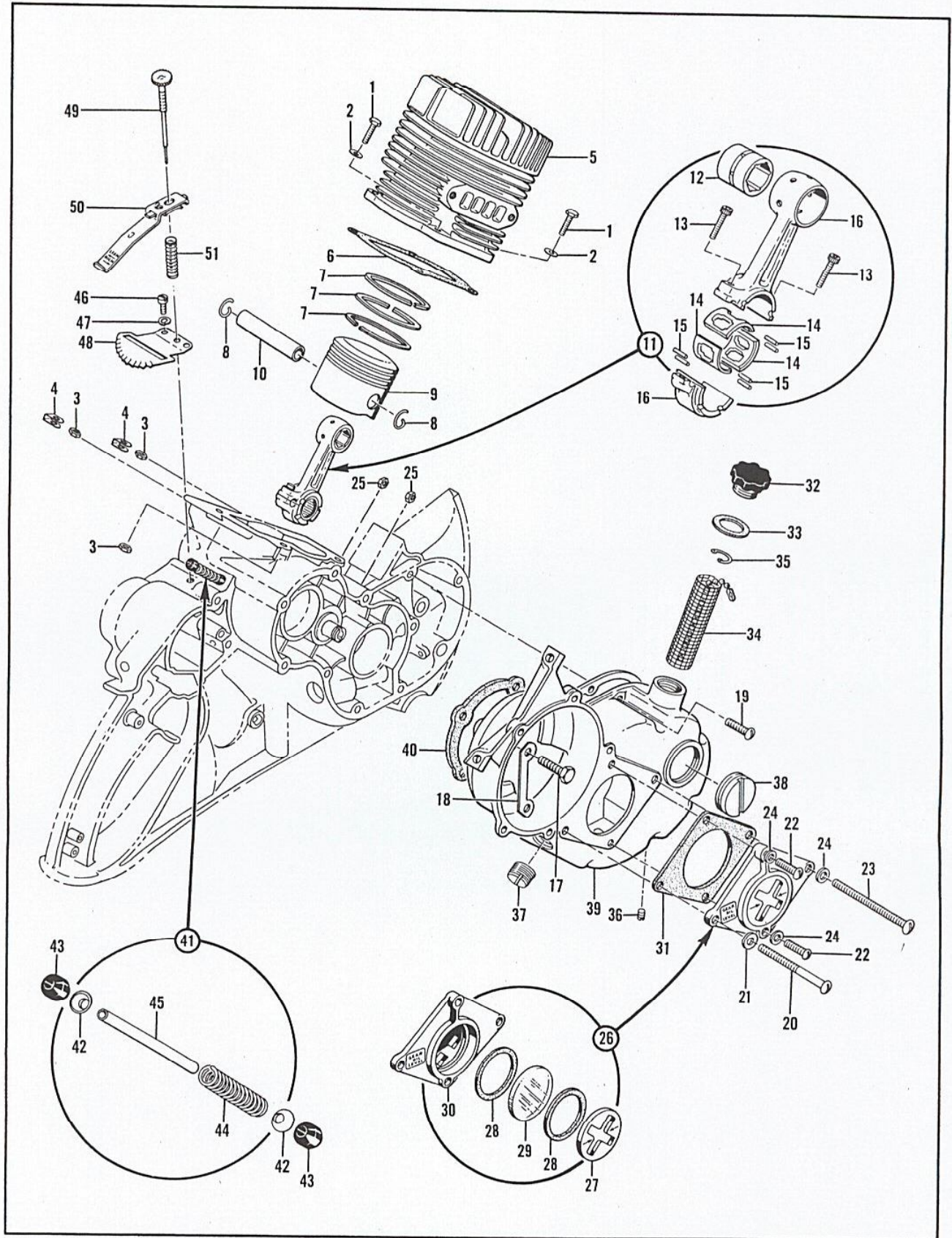


Figure 3. Cylinder, Piston and Gearcase (Model 3-25 Engines Only)

FIGURE 3. (CONT)

FIG. & INDEX NO.	PART NO.	DESCRIPTION							UNITS PER ASSY	USABLE ON CODE
		1	2	3	4	5	6	7		
3-27	19856	.							1	A
-28	19878	.							2	A
-29	19857	.							1	A
-30		.							1	A
-31	19063	.							1	A
-32	19734	.							1	A
-33	23055	.							1	A
-34	19067	.							1	A
-35	19690	.							1	A
-36	100161	.							1	A
-37	101190	.							1	A
-38	101780	.							1	A
-39	19315	.							1	A
-40	19120	.							1	A
-41	19523	.							1	A
-42	19286	.							2	A
-43	19285	.							2	A
-44	19287	.							1	A
-45	19258	.							1	A
-46	101988	.							2	A
-47	101194	.							2	A
-48	19250	.							1	A
-49	19361	.							1	A
-50	19368	.							1	A
-51	19367	.							1	A

FIGURE 4. CYLINDER, PISTON AND GEARCASE.

FIG. & INDEX NO.	PART NO.	DESCRIPTION							UNITS PER ASSY	USABLE ON CODE
		1	2	3	4	5	6	7		
Code: "B" indicates parts used on Model 4-30 engines.										
"C" indicates parts used on Model 4-30A engines.										
"D" indicates parts used on Model 47 engines.										
"E" indicates parts used on Model 73 engines.										
4-1	101885	.							3	BD
	103154	.							3	C
	103486	.							3	E
-2	101885	.							1	BD
	103154	.							1	C
-3	100004	.							3	B
	100311	.							3	E
-4	100311	.							1	E
-5	28341A	.							2	CD
-6	24545	.							1	B
	100246	.							1	E
-7	100640	.							3	BCDE
-8	18556A	.							2	BCDE
-9	100248	.							1	E
-10	19021	.							1	D
	28260	.							1	C
	28779	.							1	E
	28021	.							1	B
-11	101597	.							6	B
-12	24236	.							6	B
-13	101191	.							7	B
-14	28024	.							1	B
-15	28025	.							1	B
-16		.							1	B

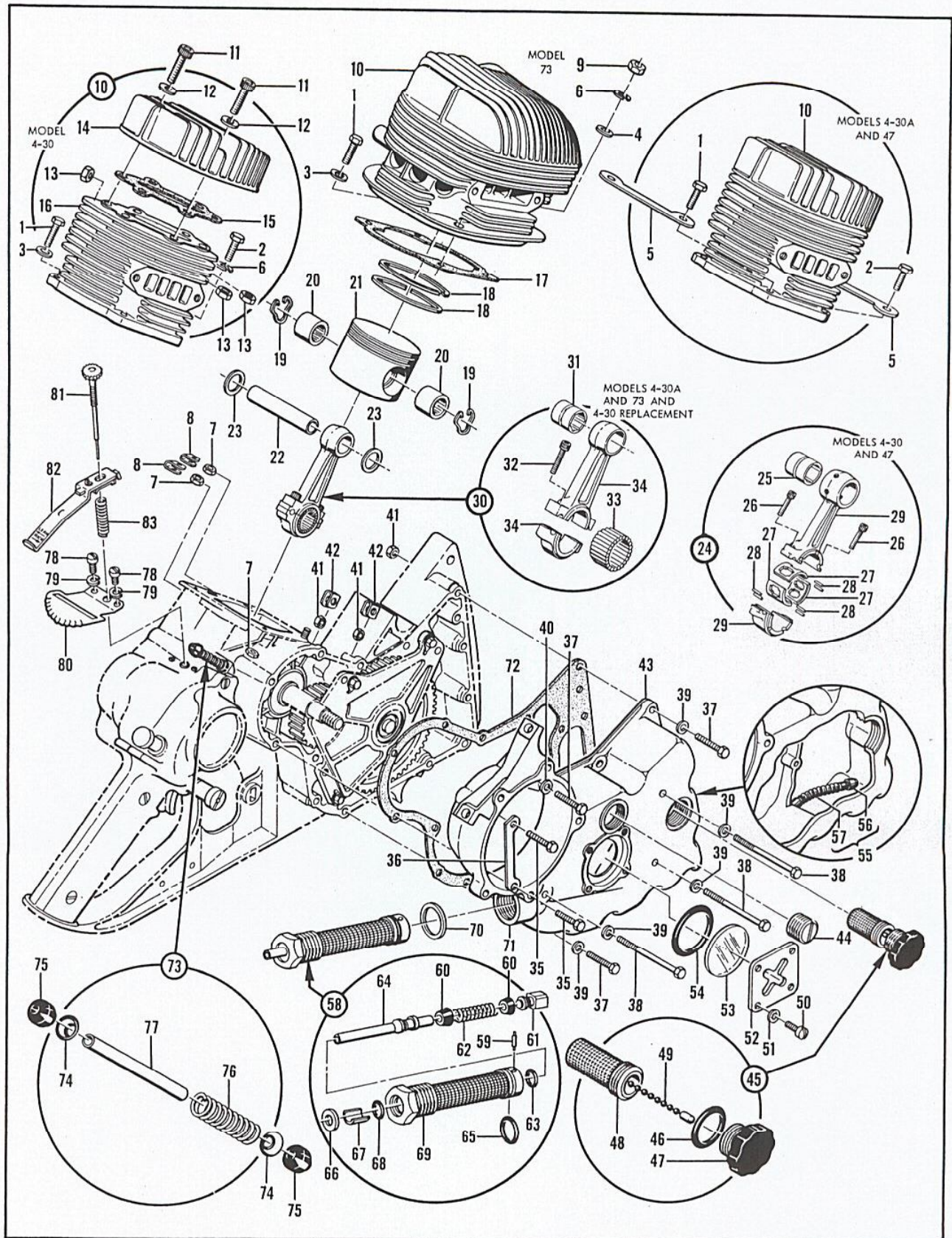


Figure 4. Cylinder, Piston and Gearcase

FIGURE 4. (CONT)

FIG. & INDEX NO.	PART NO.	DESCRIPTION	UNITS PER ASSY	USABLE ON CODE
		1 2 3 4 5 6 7		
Replacement Cylinder Assembly #28339				
4-10	28339	Cylinder Assembly (This is a one-piece head)	1	B
-17	19026	Gasket - Cylinder	1	BCD
	28521A	Gasket - Cylinder	1	E
	28020A	Piston Assembly (Not available - Order Piston Assembly #28353A used on Code "C". Requires Connecting Rod Assembly #28016B)	1	B
	28353A	Piston Assembly	1	C
	19931A	Piston Assembly	1	D
	28885	Piston Assembly (Not available - Order Piston Assembly #47580)	1	E
-18	28886	. Ring Set (Top chrome ring)	1	BC
	51747	. Ring Set (Top chrome ring)	1	D
	28809	. Ring Set (Top chrome ring)	1	E
-19	24336	. Ring - Retaining	2	BCD
	28597	. Ring - Retaining	2	E
-20	103475	. Bearing - Needle	2	E
-21		. Piston (Not available - Order correct Piston Assembly)	1	BCDE
Replacement Piston Assembly #47580				
	47580	Piston Assembly	1	E
-18	28809	. Ring Set	1	E
-20	103475	. Bearing - Needle	1	E
-21		. Piston (Not available - Order Piston Assembly #47580)	1	E
-22	28018	Pin - Piston	1	BC
	19018	Pin - Piston	1	D
	28744	Pin - Piston	1	E
-23	28057	Washer - Thrust	2	C
	28743	Washer - Piston pin	2	E
-24	28016	Connecting Rod Assembly (Not available - Order Connecting Rod Assembly #28016B)	1	B
	19016A	Connecting Rod Assembly	1	D
-25	100300	. Bearing - Needle	2	B
	19535	. Bushing - Connecting rod	1	D
-26	101205	. Screw - Socket hd 10-32 x 3/4 in. lg	2	BD
-27	19822	. Cage Assembly - Bearing (3 pieces)	1	BD
-28	101035	. Needle - Roller	15	BD
-29		. Rod - Connecting (Not available - Order correct Connecting Rod Assembly)	1	BD
-30	28016A	Connecting Rod Assembly	1	C
	28795A	Connecting Rod Assembly	1	E
-31	100300	. Bearing - Needle	2	C
-32	101205	. Screw - Socket hd 10-32 x 3/4 in. lg	2	CE
-33	100226	. Roller - Needle	24	CE
-34		. Rod - Connecting (Not available - Order correct Connecting Rod Assembly)	1	CE
Replacement Connecting Rod Assembly #28016B				
-30	28016B	Connecting Rod Assembly (Must be used with Piston Assembly #28353A)	1	B
-31	100300	. Bearing - Needle	2	B
-32	101205	. Screw - Socket hd 10-32 x 3/4 in. lg	2	B
-33	100226	. Roller - Needle	24	B
-34		. Rod - Connecting (Not available - Order Connecting Rod Assembly #28016B)	1	B
-35	102101	Screw - Hex hd 10-24 x 7/8 in. lg	3	BCDE
-36	28051	Lockplate	1	BCDE

3-25, 4-30 SERIES
ENGINES

FIGURE 4. (CONT)

FIG. & INDEX NO.	PART NO.	DESCRIPTION							UNITS PER ASSY	USABLE ON CODE
		1	2	3	4	5	6	7		
4-37	102291	Screw - Hex hd 10-24 x 1 in. lg							10	BCDE
-38	102320	Screw - Hex hd 10-24 x 2-1/2 in. lg							3	BCDE
-39	100002	Washer							14	BC
	100002	Washer							13	D
	100003	Washer - Plain No. 10							13	E
-40	100289	Washer							1	BCDE
-41	101326	Nut - Hex 10-24							15	BCDE
-42	28053	Retainer - Nut							2	BCDE
-43	28046A	Gear Case Assembly							1	BCD
	28710	Gear Case Assembly							1	E
-44	101190	Plug - Pipe							1	BCDE
-45	28026	Screen and Cap Assembly							1	BCDE
-46	101148	Gasket - "O" ring							1	BCDE
-47	52388	Cap - Oil filler							1	BCDE
-48	28027	Screen Assembly							1	BCDE
-49	28056	Chain Assembly							1	BCDE
-50	101991	Screw - Fil hd 10-24 x 1/2 in. lg							4	BCDE
-51	101194	Lockwasher - No. 10							4	BCDE
-52	28074	Face Plate Assembly							1	BCDE
-53	19857	Window - Gear case							1	BCDE
-54	102098	"O" Ring							1	BCDE
-55	28022A	Hose Assembly - Oil							1	BCDE
-56	19132	Weight							1	BCDE
-57	28007	Hose - Oil							1	BCDE
-58	24055A	Oil Pump Assembly							1	BCDE
-59	24106	Pin - Pump							1	BCDE
-60	24104	Cup - Packing							2	BCDE
-61	24105A	Plug - Pump							1	BCDE
-62	28215	Spring							1	BCDE
-63	101258	Packing - "O" ring							1	BCDE
-64	24103A	Plunger - Pump							1	BCDE
-65	101218	"O" Ring							1	BCDE
-66	100950	Washer - Pump							1	BCDE
-67	24108	Seal - Pump							1	BCDE
-68	101056	"O" Ring							1	BCDE
-69	24193	Body Assembly - Pump							1	BCDE
-70	24120	Gasket - Oil pump							1	BCDE
-71	28017C	Gear case							1	BCD
	28702A	Gear case							1	E
-72	28120	Gasket - Gear case							1	BCDE
-73	19523	Tube Assembly							1	BCDE
-74	19286	Washer							2	BCDE
-75	19285	Seal - Pump							2	BCDE
-76	19287	Spring							1	BCDE
-77	19258	Tube							1	BCDE
-78	101988	Screw - Fil hd 10-24 x 3/8 in. lg							2	BCDE
-79	101194	Lockwasher - No. 10							2	BCDE
-80	19250	Detent							1	BCDE
-81	19361	Needle Valve Assembly							1	BCDE
-82	19368	Lever Assembly							1	BCDE
-83	19367	Spring - Main jet							1	BCDE

3-25, 4-30 SERIES ENGINES

FIGURE 5. CRANKCASE AND BAR ADJUSTING LOCKPLATE, MODEL 3-25 ONLY.

FIG. & INDEX NO.	PART NO.	DESCRIPTION							UNITS PER ASSY	USABLE ON CODE
		1	2	3	4	5	6	7		
Code: "A" indicates parts used on Model 3-25 engines.										
5-1	101977								2	A
-2	101143								2	A
-3	19752								1	A
-4	100682								3	A
-5	100007								2	A
-6	19682								1	A
-7	100010								1	A
-8	102022								1	A
-9	24260								1	A
-10	102193								1	A
-11	100007								1	A
-12	19708								1	A
-13	19681								1	A
-14	101179								1	A
-15	19733A								1	A
-16									1	A
-17	100256								1	A
-18	19278								1	A
-19	19162								1	A
-20	101278								1	A
-21	19013								1	A
-22	101277								1	A
-23	19094								1	A
-24	100501								1	A
-25	19140A								1	A
	19379								1	A
-26	19754								1	A
-27									1	A

Replacement Idler Gear Assembly #19889

Note: Idler gear shaft #19888 (Figure 5, No. 78) must be used with this gear assembly.

-28	101269								1	A
	19889								1	A
-29	102271								1	A
-30	102339								1	A
-31									1	A

-32	100564								1	A
-33	28327								1	A
-34	19845								1	A
-35	19844								1	A
-36	19846								1	A
-37	19877								1	A
-38	101072								1	A
-39	101060								2	A
-40	101191								2	A
-41	19431A								1	A
-42	11361A								1	A
-43	100002								1	A
-44	19412								1	A
-45	101426								1	A
-46	100183								1	A
-47	19119								1	A
-48	19157								1	A
-49	19414								1	A
-50	100954								1	A

3-25, 4-30 SERIES
ENGINES

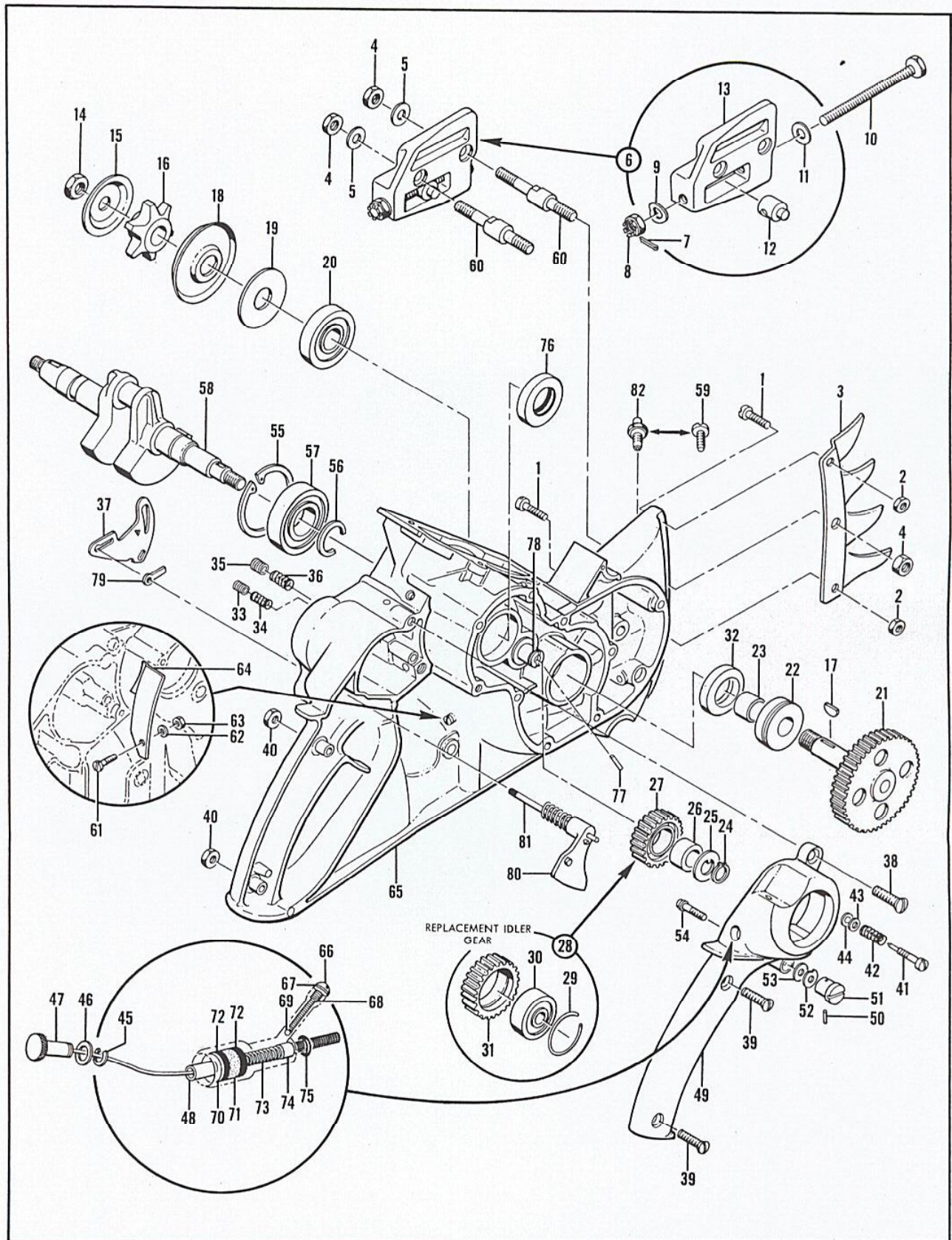


Figure 5. Crankcase and Bar Adjusting Lockplate, (Model 3-25 Engine Only)