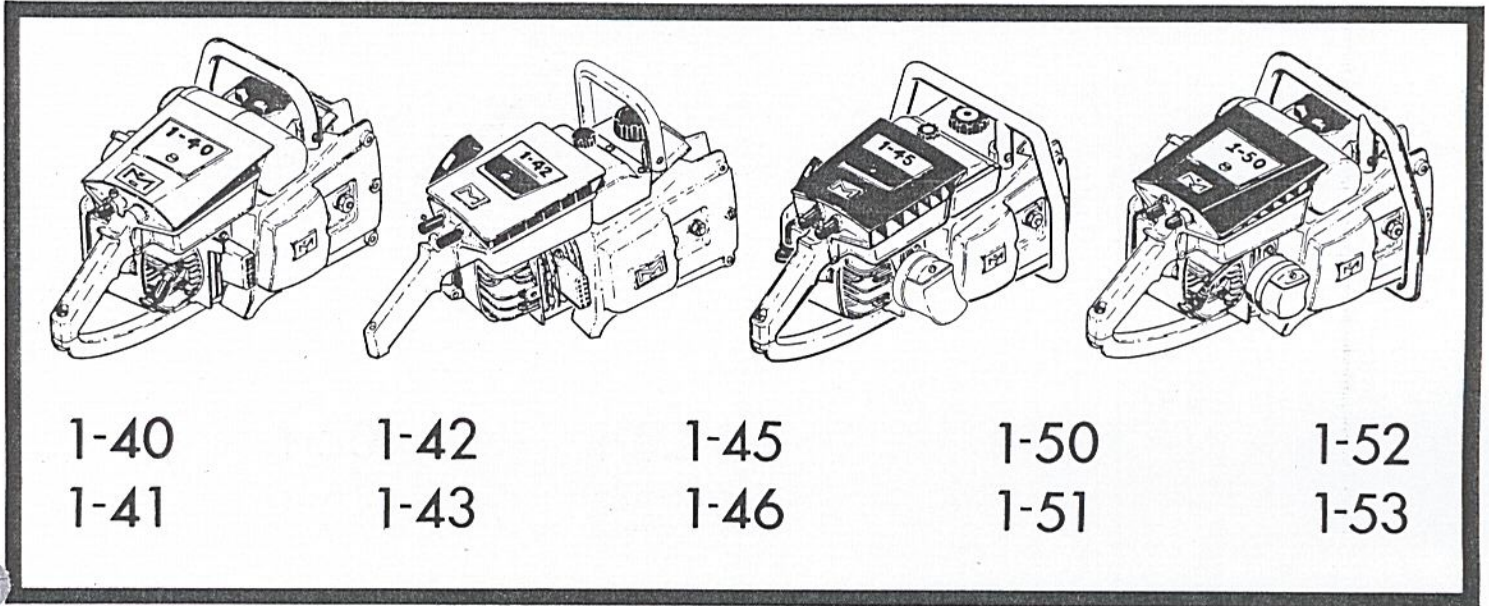


# MASTER ILLUSTRATED PARTS LIST



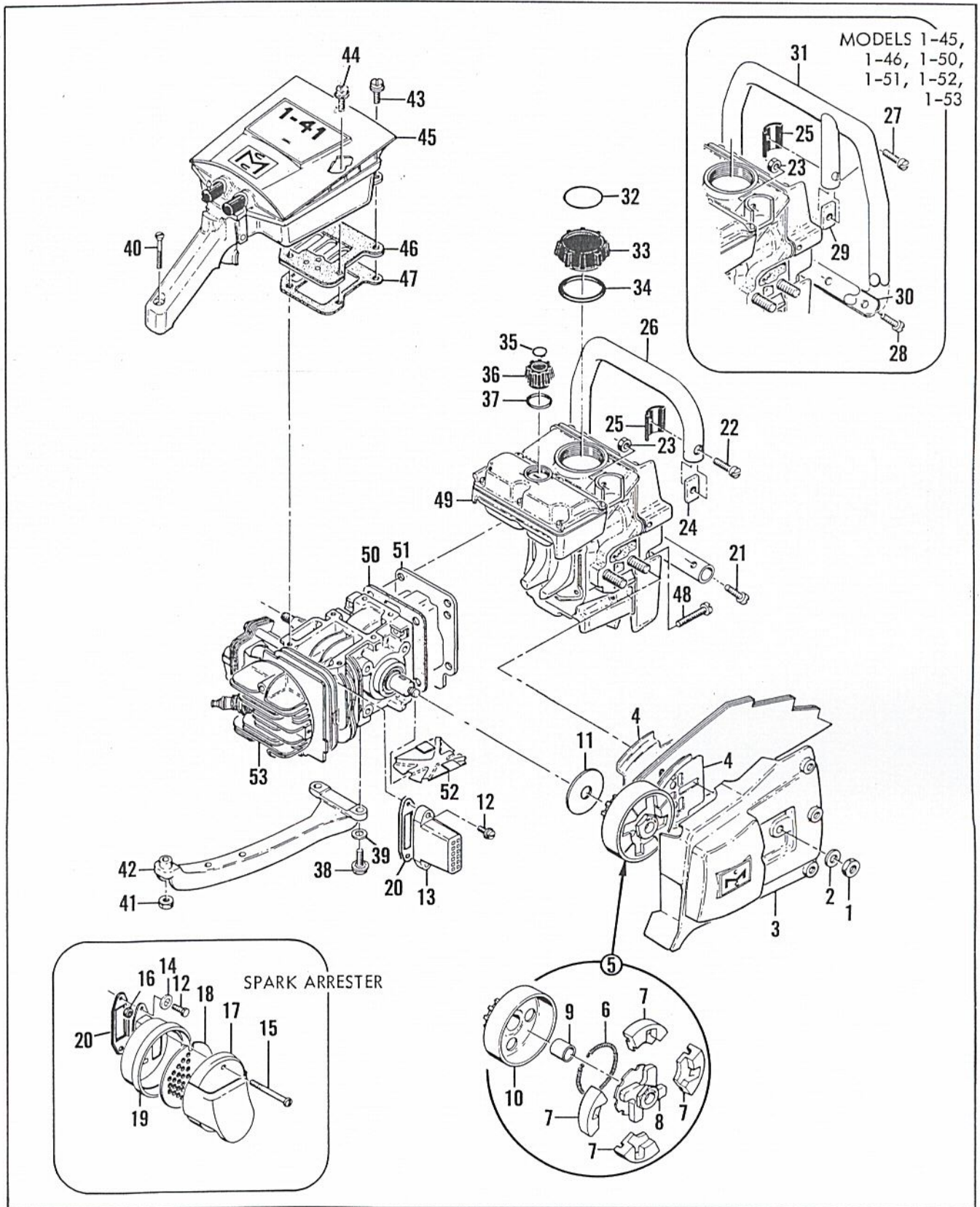
This Master Illustrated Parts List gives the name, number and interchangeability between engines, of service and replacement parts which were used on or are presently available for installation on the listed chain saw models.

Information about the List and how to use it will be found on the back cover. Read the information before you start to use the List.

	Page
Figure 1. Right Hand Side Elements . . . . .	2
Figure 2. Left Hand Side Elements . . . . .	4
Figure 3. Starter, Crankcase Cover . . . . .	6
Figure 4. Fuel and Oiler Tanks - 1-40 and 1-50 . . . . .	8
Figure 5. Fuel and Oiler Tanks - 1-41, 1-51 and up . . . . .	12
Figure 6. Airbox and Reed Valve . . . . .	14
Figure 7. McCulloch Carburetor - Choke Type . . . . .	18
Figure 8. McCulloch Carburetor - Primer Type . . . . .	20
Figure 9. Tillotson Carburetors . . . . .	22
Figure 10. Powerhead . . . . .	24
Figure 11. Clutch Guard . . . . .	26

 **McCULLOCH CORPORATION**

# 1-40/1-50 Series





## Figure 1. Right Hand Side Elements

Index No.	Part Number	Nomenclature	Units Per Assy	Usable on Code
Code: "A" indicates parts used on Model 1-40 chain saws.				
"B" indicates parts used on Model 1-41 chain saws.				
"C" indicates parts used on Model 1-42 chain saws.				
"D" indicates parts used on Model 1-43 chain saws.				
"E" indicates parts used on Model 1-45 chain saws.				
"F" indicates parts used on Model 1-46 chain saws.				
"G" indicates parts used on Model 1-50 chain saws.				
"H" indicates parts used on Model 1-51 chain saws.				
"I" indicates parts used on Model 1-52 chain saws.				
"J" indicates parts used on Model 1-53 chain saws.				
1	103729	Nut - Hex 3/8-24 . . . . .	2	ALL
2	100006	Washer - 3/8 plain . . . . .	2	ALL
3		Clutch Guard (Order Guard Assy #60133A) . . . . .	1	A,B,C,E,G,H,I
	60133A	Guard Assy - Clutch (See Figure 11) . . . . .	1	D,F,J
4	61994	Bar Plate Set. . . . .	1	ALL
5	50060B	Clutch Assy. . . . .	1	ALL
6	51468A	. Spring - Clutch . . . . .	1	ALL
7	51464A	. Shoe - Clutch. . . . .	4	ALL
8	50144B	. Rotor Assy - Clutch . . . . .	1	ALL
	50129A	Drum - Sprocket, Bushing and . . . . .	1	ALL
9	50128	. Bushing - Sprocket . . . . .	1	ALL
10	51775B	. Sprocket and Drum . . . . .	1	ALL
11	50132	Washer - Sprocket . . . . .	1	ALL
12	102388	Screw - Hex hd 10-24 x 5/8 . . . . .	2	ALL
13	① 50115	Pipe - Exhaust. . . . .	1	A,B,C,D
14	103100	Washer - Lock #10 int. . . . .	2	E,F,G,H,I,J
	63910	Spark Arrester . . . . .	1	E,F,G,H,I,J
15	110371	. Screw - Pan hd 10-24 x 1-5/8. . . . .	2	E,F,G,H,I,J
16	101191	. Nut - Hex 10-24 lock. . . . .	2	E,F,G,H,I,J
17	53205B	. Top Assy - Muffler. . . . .	1	E,F,G,H,I,J
18	51968	. Baffle - Muffler . . . . .	1	E,F,G,H,I,J
19	52424B	. Bottom Assy - Muffler . . . . .	1	E,F,G,H,I,J
20	53652	Gasket - Exhaust . . . . .	1	ALL
21	103267	Screw - Fil hd 1/4-20 x 1 . . . . .	2	A
	102356	Screw - Fil hd 1/4-20 x 7/8 . . . . .	2	B,C,D
22	103267	Screw - Fil hd 1/4-20 x 1 . . . . .	1	A
	102356	Screw - Fil hd 1/4-20 x 7/8 . . . . .	1	B,C,D
23	101143	Nut - Hex 1/4-20 . . . . .	3	ALL
24	50063	Saddle - Frame . . . . .	3	A,G
	57133	Saddle - Frame . . . . .	3	B,C,D
25	50062	Insulator - Frame . . . . .	3	ALL
26	63349	Frame and Grip Assy . . . . .	1	A,B,C,D
27	102356	Screw - Fil hd 1/4-20 x 7/8 . . . . .	1	E,H,J
	103267	Screw - Fil hd 1/4-20 x 1 . . . . .	1	F,G,I
28	102130	Screw - Hex hd 1/4-20 x 1-1/2 . . . . .	2	E,H,I,J
	103259	Screw - Hex hd 1/4-20 x 1-3/8 . . . . .	2	F,G
29	57133	Saddle - Frame . . . . .	1	E,F,H
30	50215	Clamp - Frame . . . . .	1	E,F,G,H,I,J
31	53569	Frame and Grip Assy . . . . .	1	E,F,G,H,I,J
32	57485	Plate - Fuel cap. . . . .	1	I
33	57128	Cap - Fuel . . . . .	1	A,B,C,D,E,F,G,H
	55934B	Fuel Cap Assy . . . . .	1	I,J
34	101348	"O" Ring. . . . .	1	ALL
35	57234	Plate - Oiler cap . . . . .	1	E,I,J
36	57129A	Cap - Oiler . . . . .	1	ALL
37	101148	"O" Ring. . . . .	1	ALL
38	100882	Screw - Hex hd 1/4-20 x 3/4 . . . . .	2	A,B,E,F,G,H,I,J
39	100004	Washer - 1/4 plain . . . . .	2	A,B,E,F,G,H,I,J
40	104155	Screw - Oval hd 10-24 x 1-1/2 . . . . .	1	A,G
	104435	Screw - Oval hd 10-24 x 1-3/4 . . . . .	1	B,E,F,H,I,J

① Use #63910 if a spark arrester is desired on these models.

# 1-40/1-50 Series

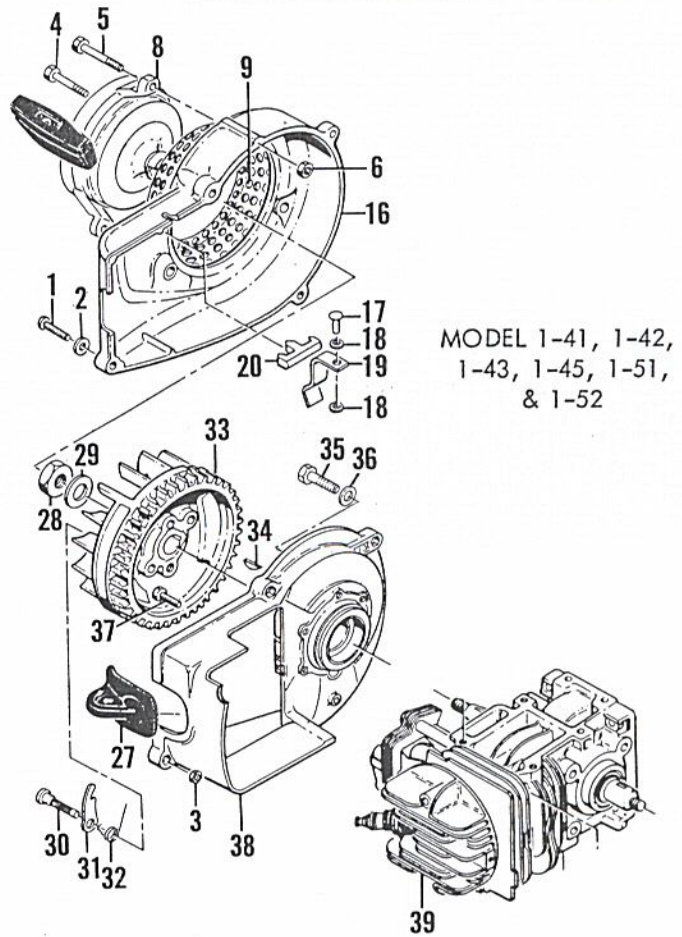
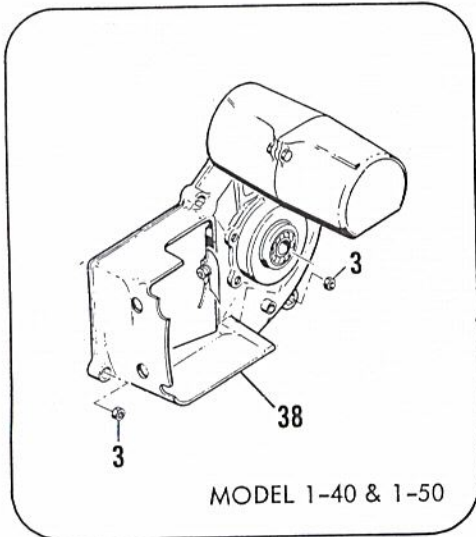
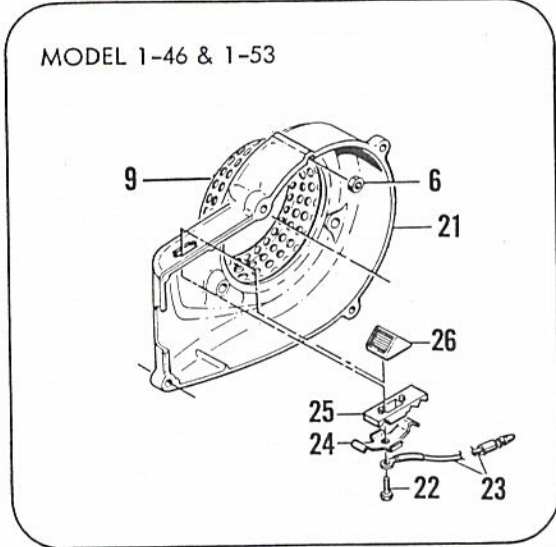
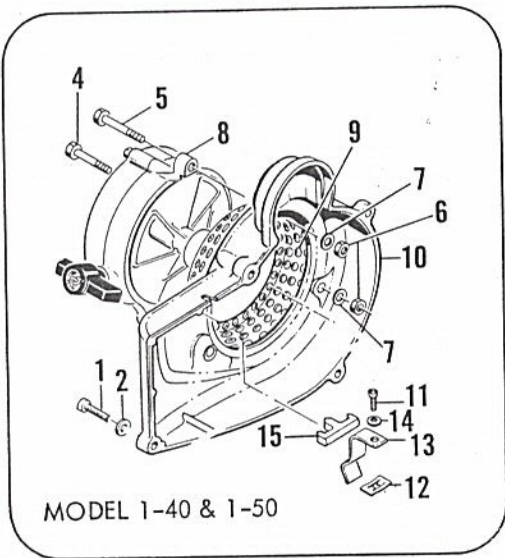


Figure 2. Left Hand Side Elements



## Figure 1. Right Hand Side Elements (Cont.)

Index No.	Part Number	Nomenclature	Units Per Assy	Usable on Code
41	101191	Nut - Hex hd 10-24 lock. . . . .	1	A,B,E,F,G,H,I,J
42	50041	Brace - Handle . . . . .	1	A,B,E,F,G,H,I,J
43	102289	Screw - Hex hd 10-24 x 3/4 . . . . .	2	A,G
	110127	Screw - Hex hd 10-24 x 7/8 (SEMS) . . . . .	2	B,C,D,E,F,H,I,J
44	110127	Screw - Hex hd 10-24 x 7/8 (SEMS) . . . . .	2	ALL
45		Airbox Assy (See Figure 6) . . . . .	1	ALL
46		Reed Plate Assy (See Figure 6) . . . . .	1	ALL
47	50032B	Insulator - Reed. . . . .	1	A,B,G,H
	57657A	Insulator - Reed. . . . .	1	C,D,E,F,I,J
48	② 36151B	Screw - Bar adjusting. . . . .	1	A,G
	57246	Screw - Bar adjusting. . . . .	1	B
	51441	Screw - Bar adjusting. . . . .	1	C,E,H,I
49		Fuel and Oil Tanks (See Figure 4) . . . . .	1	A,G
		Fuel and Oil Tanks (See Figure 5) . . . . .	1	B,C,D,E,F,H,I,J
50	50141B	Gasket - Bottom. . . . .	1	A,G
	65623	Gasket - Crankcase bottom . . . . .	1	B,C,G,H,I
	65654	Gasket - Crankcase bottom . . . . .	1	D,F,J
51	51789G	Bottom - Crankcase . . . . .	1	I
	53399E	Bottom - Crankcase . . . . .	1	J
52	50497	Collector - Oil. . . . .	1	A,G
53		Powerhead (See Figure 10) . . . . .	1	ALL

② When #60133A guard assembly is used on these saws, do not use these bar adjusting screws.

## Figure 2. Left Hand Side Elements

Index No.	Part Number	Nomenclature	Units Per Assy	Usable on Code
Code: "A" indicates parts used on Model 1-40 chain saws.				
"B" indicates parts used on Model 1-41 chain saws.				
"C" indicates parts used on Model 1-42 chain saws.				
"D" indicates parts used on Model 1-43 chain saws.				
"E" indicates parts used on Model 1-45 chain saws.				
"F" indicates parts used on Model 1-46 chain saws.				
"G" indicates parts used on Model 1-50 chain saws.				
"H" indicates parts used on Model 1-51 chain saws.				
"I" indicates parts used on Model 1-52 chain saws.				
"J" indicates parts used on Model 1-53 chain saws.				
1	102761	Screw - Hex hd 10-24 x 7/8 . . . . .	4	A,G
	104397	Screw - Pan hd 10-24 x 7/8 . . . . .	4	B,H
	110127	Screw - Hex hd 10-24 x 7/8 (SEMS) . . . . .	4	C,D,E,F,I,J
2	102189	Washer - Flat #10 . . . . .	4	A,B,G,H
3	101191	Nut - Hex 10-24 lock. . . . .	2	ALL
4	102760	Screw - Hex hd 10-24 x 1. . . . .	2	A,G
	104397	Screw - Pan hd 10-24 x 7/8 . . . . .	2	B,H
	110127	Screw - Hex hd 10-24 x 7/8 (SEMS) . . . . .	2	C,D,E,F,I,J
5		Screw - Hex hd 10-24 x 1-1/4. . . . .	1	A,G
	104397	Screw - Pan hd 10-24 x 7/8 . . . . .	1	B,H
	110127	Screw - Hex hd 10-24 x 7/8 (SEMS) . . . . .	1	C,D,E,F,I,J
6	101191	Nut - Hex 10-24 lock. . . . .	3	ALL
7	102189	Washer - Flat #10 . . . . .	3	A,G
8		Starter Assy (See Figure 3) . . . . .	1	ALL

# 1-40/1-50 Series

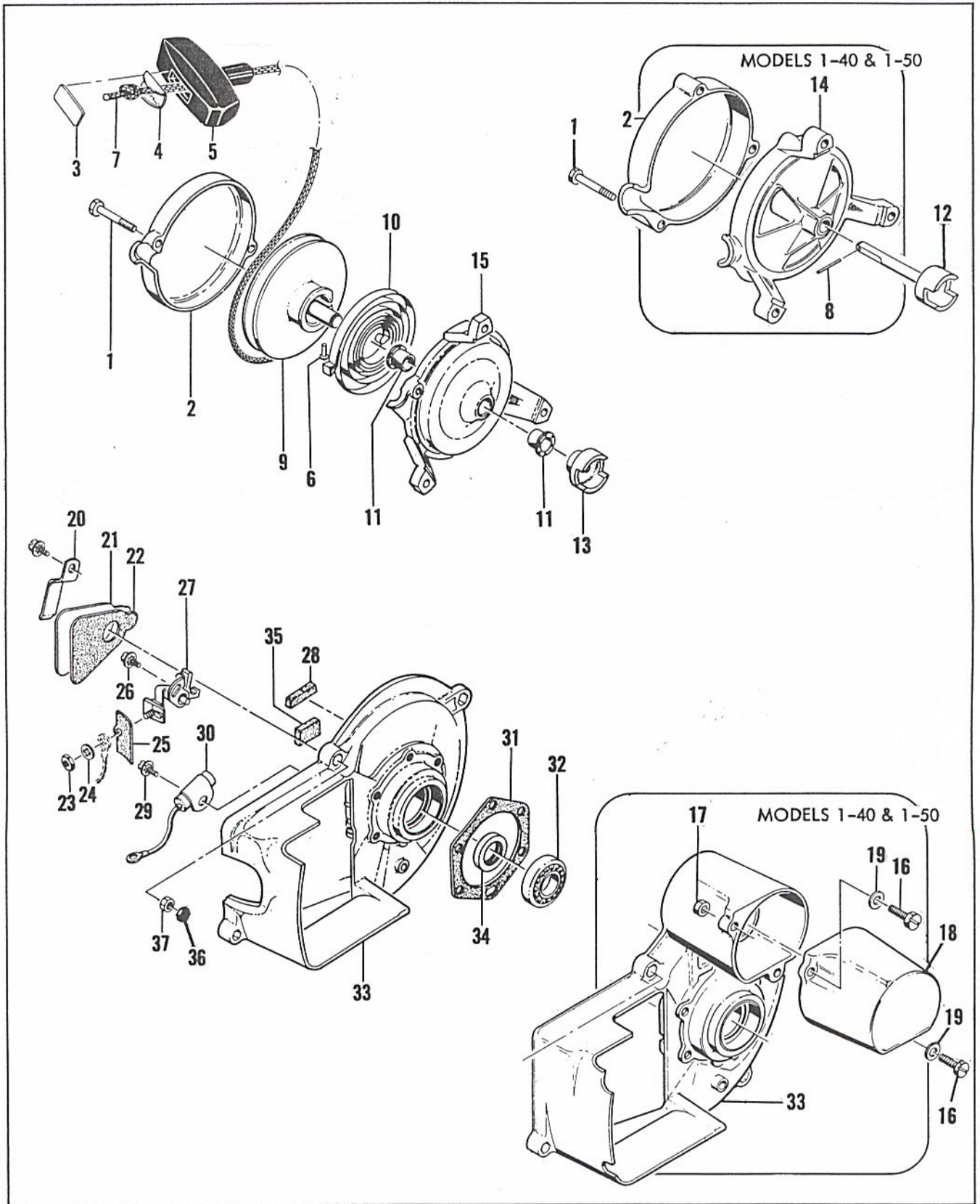


Figure 3. Starter, Crankcase Cover



## Figure 2. Left Hand Side Elements (Cont.)

Index No.	Part Number	Nomenclature	Units Per Assy	Usable on Code
9	50581A	Guard - Sawdust. . . . .	1	ALL
10	50029B	Housing Assy - Fan . . . . .	1	A,G
11	101454	. Screw - Pan hd #8 x 3/8 slf tap. . . . .	1	A,G
12	102399	. Nut - Speed 8-32 . . . . .	1	A,G
13	50818	. Spring - Switch . . . . .	1	A,G
14	100080	. Washer - Plain #8 . . . . .	1	A,G
15	50817	. Button - Switch . . . . .	1	A,G
16	57184B	Housing - Fan . . . . .	1	B,C,D,E,H,I
17	103819	. Rivet - Oval hd 3/16 x 5/16 . . . . .	1	B,C,D,E,H,I
18	24236	. Spacer . . . . .	2	B,C,D,E,H,I
19	50818	. Spring - Switch . . . . .	1	B,C,D,E,H,I
20	50817	. Button - Switch . . . . .	1	B,C,D,E,H,I
21	53488	Housing - Fan . . . . .	1	F,J
22	110055	. Screw - Fil hd 8-32 x 3/8 (SEMS) . . . . .	1	F,J
23	53490	. Wire Assy - Switch. . . . .	1	F,J
24	59592	. Contact - Switch. . . . .	1	F,J
25	59591	. Base - Switch . . . . .	1	F,J
26	57718	. Button - Switch . . . . .	1	F,J
27	<b>1</b> 57565	Cover Assy. . . . .	1	C,D,E,F,I,J
28	101179	Nut - Hex 7/16-20 Jam . . . . .	1	ALL
29	101270	Washer - 7/16 plain . . . . .	1	ALL
30	36144B	Pin - Pawl . . . . .	2	ALL
31	24093	Pawl - Starter . . . . .	2	ALL
32	50582	Spring - Pawl . . . . .	2	ALL
33	50003A	Flywheel Assy. . . . .	1	A,B,G,H
	65762	Flywheel Assy . . . . .	1	C,D,E,F,I,J
34	100199	Key - Woodruff #3 . . . . .	1	ALL
35	55494	Screw Assy. . . . .	4	A,B,G,H
	102289	Screw - Hex hd 10-24 x 3/4 . . . . .	4	C,D,E,F,I,J
36	102189	Washer - Flat #10 . . . . .	3	D,F,J
37	55494	Screw Assy. . . . .	2	A,B,D,G,H,J
	102289	Screw - Hex hd 10-24 x 3/4 . . . . .	2	C,E,F,I
38		Crankcase Cover Assy (See Figure 3) . . . . .	1	ALL
39		Powerhead (See Figure 10). . . . .	1	ALL

**1** May also be used on Model 1-41 and 1-51 saws.

## Figure 3. Starter, Crankcase Cover

Index No.	Part Number	Nomenclature	Units Per Assy	Usable on Code
Code: "A" indicates parts used on Model 1-40 chain saws.				
"B" indicates parts used on Model 1-41 chain saws.				
"C" indicates parts used on Model 1-42 chain saws.				
"D" indicates parts used on Model 1-43 chain saws.				
"E" indicates parts used on Model 1-45 chain saws.				
"F" indicates parts used on Model 1-46 chain saws.				
"G" indicates parts used on Model 1-50 chain saws.				
"H" indicates parts used on Model 1-51 chain saws.				
"I" indicates parts used on Model 1-52 chain saws.				
"J" indicates parts used on Model 1-53 chain saws.				
		Starter Assy (Order Starter Assy #60130). . . . .	1	A,G
1	60130	Starter Assy . . . . .	1	B,C,D,E,F,H,I,J
	103725	. Screw - Fil hd 10-24 x 1 (SEMS) . . . . .	3	A,G
	104396	. Screw - Pan hd 10-24 x 3/4 . . . . .	2	B,C,D,E,F,H,I,J

# 1-40/1-50 Series

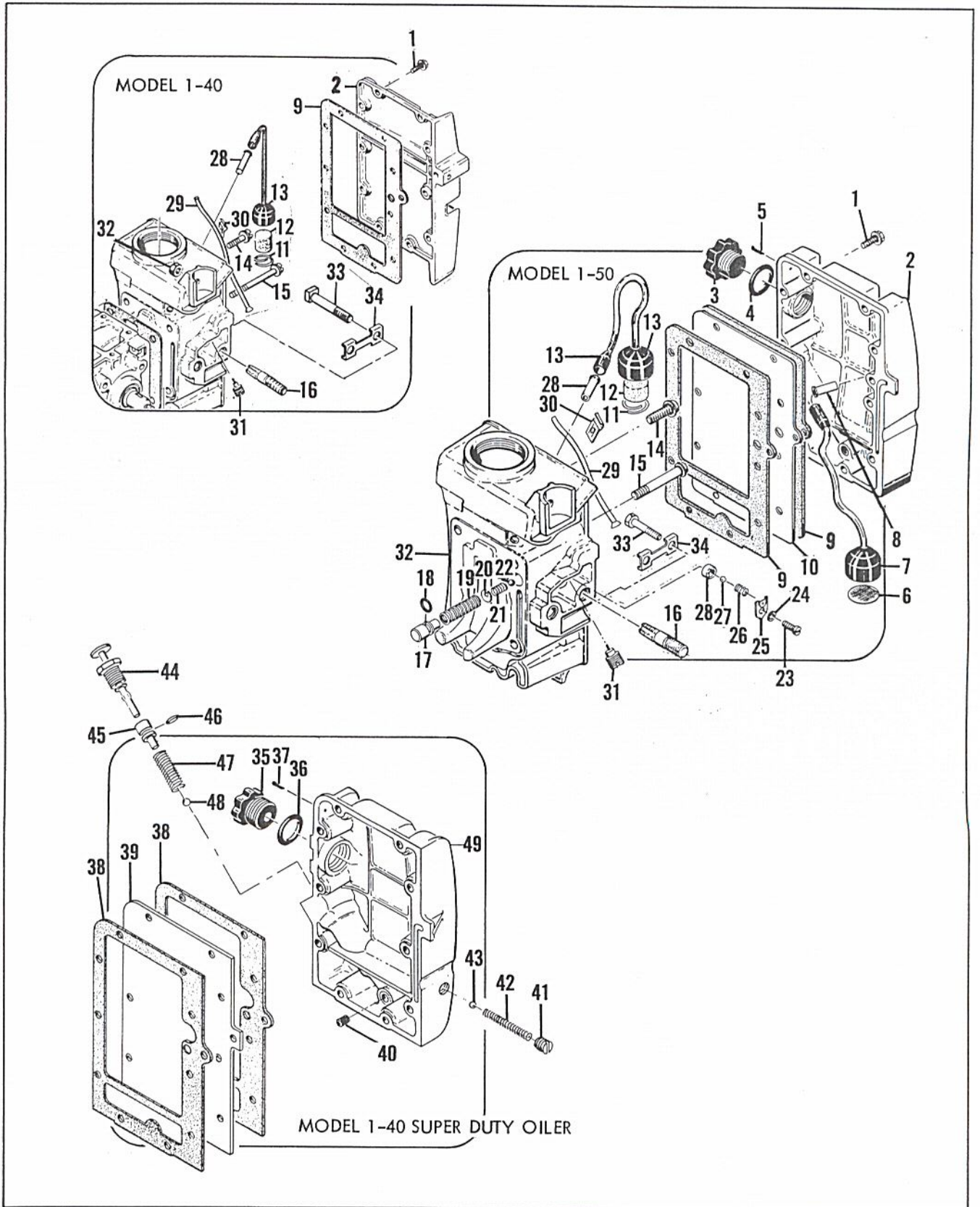


Figure 4. Fuel and Oiler Tanks - 1-40 and 1-50



## Figure 3. Starter, Crankcase Cover (Cont.)

Index No.	Part Number	Nomenclature	Units Per Assy	Usable on Code
2	50552	. Cover - Starter . . . . .	1	A,G
	60647	. Cover - Starter . . . . .	1	B,C,D,E,F,H,I,J
3	57232	. Plate - Handle . . . . .	1	B,C,D,E,F,H,I,J
4	57231	. Cup - Handle . . . . .	1	ALL
5	57230	. Handle - Starter . . . . .	1	ALL
6	101136	. Rivet - Rd hd 3/32 x 0.31 . . . . .	1	ALL
7	28716	. Rope - Starter . . . . .	1	ALL
8	103047	. Pin - Roll 0.094 x 0.687 . . . . .	1	A,G
9	55871	. Drum - Starter . . . . .	1	A,G
	57792	. Drum - Starter . . . . .	1	B,C,D,E,F,H,I,J
10	51665	. Spring - Rewind . . . . .	1	ALL
11	57535	. Bearing - Drum shaft . . . . .	2	B,C,D,E,F,H,I,J
12	50549	. Shaft Assy - Starter . . . . .	1	A,G
13	① 57790	. Ratchet - Starter . . . . .	1	B,C,D,E,F,H,I,J
14	50547	. Base - Starter . . . . .	1	A,G
15	60646	. Base - Starter . . . . .	1	B,C,D,E,F,H,I,J
16	102761	Screw - Hex hd 10-24 x 7/8 . . . . .	2	A,G
17	101191	Nut - Hex 10-24 lock . . . . .	2	A,G
18	50522	Cup - Cover . . . . .	1	A,G
19	102189	Washer - Flat #10 . . . . .	2	A,G
20	50671	Retainer - Breaker cover . . . . .	1	ALL
21	50588A	Cover - Breaker box . . . . .	1	ALL
22	65584	Gasket - Breaker box . . . . .	1	ALL
23	100251	Nut - Hex 8-32 . . . . .	1	ALL
24	100057	Washer - Lock #8 . . . . .	1	ALL
25	50381A	Insulator - Breaker . . . . .	1	ALL
26	103672	Screw - Fil hd 8-32 x 1/2 (SEMS) . . . . .	1	ALL
27	50076A	Breaker Assy . . . . .	1	ALL
28	50664	Seal - Breaker box . . . . .	1	ALL
29	103672	Screw - Fil hd 8-32 x 1/2 (SEMS) . . . . .	1	ALL
30	50074	Condenser . . . . .	1	ALL
31	51240	Gasket - End cover . . . . .	1	ALL
32	100824	Bearing - Ball . . . . .	1	ALL
33	50515	Cover Assy - Crankcase . . . . .	1	A,G
	57126A	Cover - Crankcase . . . . .	1	B,C,D,E,F,H,I,J
34	50663	. Seal - Shaft . . . . .	1	ALL
35	54184	. Wiper - Felt . . . . .	1	ALL
36	28935	. Retainer - Nut . . . . .	3	A,G
37	101191	. Nut - Hex 10-24 lock . . . . .	3	A,G
	101191	. Nut - Hex 10-24 lock . . . . .	2	B
	101326	. Nut - Hex 10-24 . . . . .	2	C,D,E,F,H,I,J

① If #57790 ratchet bottoms on crankshaft of Models 1-41 and 1-51, follow directions in Service Bulletin #1122.

## Figure 4. Fuel and Oiler Tanks - 1-40 & 1-50

Index No.	Part Number	Nomenclature	Units Per Assy	Usable on Code
Code: "A" indicates parts used on Model 1-40 chain saws. "G" indicates parts used on Model 1-50 chain saws.				
1	103464	Screw - Hex hd 10-24 x 3/4 (SEMS) . . . . .	10	A,G
2	① 50114B	Cover - Fuel tank . . . . .	1	A
	50513	Tank Assy - Oil . . . . .	1	G

① These parts used on Model 1-40 automatic oiler. For Super Duty Oiler equipped Model 1-40 saws, see index number 35 and following.

# 1-40/1-50 Series

## Figure 4. Fuel and Oiler Tanks - 1-40 & 1-50 (Cont.)

Index No.	Part Number	Nomenclature	Units Per Assy	Usable on Code
3	57129A	Cap - Oiler	1	G
4	101148	"O" Ring	1	G
5	100010	Pin - Cotter 1/16 x 1/2	1	G
6	51506	Screen - Oil weight	1	G
7	50082	Hose - Flexible	1	G
8	28042	Tube - Oiler housing	1	G
9	65580	Gasket - Fuel tank	1	A
	65580	Gasket - Fuel tank	2	G
10	50583	Separator	1	G
11	50440	Retainer - Fuel filter	1	A,G
12	50124A	Filter - Felt Fuel	1	A,G
13	50082	Hose - Flexible	1	A,G
14	50340	Screw Assy - Sealing	3	A,G
15	50569	Screw Assy - Sealing	1	A,G
		Fuel Tank Assy (Order Fuel Tank #62746)	1	A
		Fuel Tank Assy (Order Fuel Tank #62934)	1	G
16	50051A	Stud - Bar mounting	2	A,G
17	63643	Piston - Oiler	1	G
18	103198	"O" Ring	1	G
19	51946	Spring - Oiler piston	1	G
20	50570	Seat - Spring	1	G
21	51944	Spring - Inlet valve	1	G
22	100549	Ball - 3/16 dia	1	G
23	102219	Screw - Fil hd 8-32 x 1/4	1	G
24	100057	Washer - Lock #8	1	G
25	51941	Retainer - Outlet valve spring	1	G
26	62218	Kit - Check valve	1	G
27	100549	Ball - 3/16 dia	1	G
28	28042	Tube - Oiler housing	1	A,G
29	50501	Tube - Vent	1	A,G
30	104230	Nut - Speed 1/8 dia	1	A,G
31	50505A	Orifice Assy	1	A,G
32		Fuel Tank (Order proper replacement part)	1	A,G
Fuel Tank Assemblies #62746 and 62934				
	62746	Tank Assy - Fuel	1	A
	62934	Tank and Oiler Assy	1	G
	62752	Gasket - Crankcase bottom	1	A,G
②	55934B	Cap - Fuel Assy	1	A,G
	55063	Filter	1	A,G
	53766A	Valve - Check	1	A,G
②	101348	"O" Ring	1	A,G
②	51441	Screw - Bar adjusting	1	A
17	63643	Piston - Oiler	1	G
18	103198	"O" Ring	1	G
19	51946	Spring - Oiler piston	1	G
20	50570	Seat - Spring	1	G
21	62216	Seat - Ball	1	G
22	100549	Ball - 3/16 dia	1	G
23	102219	Screw - Fil hd 8-32 x 1/4	1	G
24	100057	Washer - Lock #8	1	G
25	51941	Retainer - Outlet valve spring	1	G
26	62217	Spring - Valve	1	G
27	100071	Ball - 5/32 dia	1	G
28	28042	Tube - Oiler housing	1	G
31		Tank	1	A,G
33	57217	Bolt - Bar mounting	2	A,G
34	51439	Plate - Lock	1	A,G
Super Duty Oiler - Model 1-40				
35	57129A	Super Duty Oiler	1	A
		Cap - Oiler	1	A

② These parts are shown in Figure 1.



## Figure 4. Fuel and Oiler Tanks - 1-40 & 1-50 (Cont.)

Index No.	Part Number	Nomenclature	Units Per Assy	Usable on Code
36	101148	"O" Ring	1	A
37	100010	Pin - Cotter 1/16 x 1/2	1	A
38	65580	Gasket - Fuel tank	2	A
39	50430	Separator - Oil tank	1	A
40	50473	Screen - Oil inlet	1	A
41	101864	Plug - Pipe 1/16-27	1	A
42	36101	Spring - Outlet	1	A
43	100549	Ball - 3/16 dia.	1	A
44	52432	Plunger and Plug	1	A
	52167	Plug	1	A
	102189	Washer - Flat #10	1	A
	36127	Plunger Assy - Oiler	1	A
45	36126	Piston - Oiler	1	A
46	101056	"O" Ring	1	A
47	52433	Spring - Oiler tank	1	A
48	100549	Ball - 3/16 dia.	1	A
49		Tank	1	A

## Figure 5. Fuel and Oiler Tank - 1-41, 1-51 & up

Index No.	Part Number	Nomenclature	Units Per Assy	Usable on Code
Code: "B" indicates parts used on Model 1-41 chain saws.				
"C" indicates parts used on Model 1-42 chain saws.				
"D" indicates parts used on Model 1-43 chain saws.				
"E" indicates parts used on Model 1-45 chain saws.				
"F" indicates parts used on Model 1-46 chain saws.				
"H" indicates parts used on Model 1-51 chain saws.				
"I" indicates parts used on Model 1-52 chain saws.				
"J" indicates parts used on Model 1-53 chain saws.				
1	104396	Screw - Pan hd 10-24 x 3/4	10	B,C,D,E,F,H,I,J
2	50114B	Cover - Fuel tank	1	B
	60781	Cover - Fuel tank	1	C,D,E,F,H,I,J
3	65580	Gasket - Fuel tank	1	B,C,D,E,F,H,I,J
4	50124A	Filter - Felt fuel	1	B,C,D,E,F,H,I,J
5	50082	Hose - Fuel	1	B,C,D,E,F,H,I,J
6	104396	Screw - Pan hd 10-24 x 3/4	6	B,H
	104395	Screw - Pan hd 10-24 x 5/8	6	C,D,E,F,I,J
7	100010	Pin - Cotter 1/16 x 1/2	1	B,C,D,E,F,H,I,J
8	57114A	Tank Cover - Oiler	1	B,C,D,E,F,H,I,J
9	57152	Gasket - Oiler tank	1	B,C,D,E,F,H,I,J
10	55494	Screw Assy	3	B,C,D,E,F,H,I,J
11	101191	Nut - Hex 10-24 lock	3	B,C,D,E,F,H,I,J
12	57279	Screen - Oiler	1	B,C,D,E,F,H,I,J
13	57112A	Tank - Oiler	1	B,C,D,E,F,H,I,J
14	57147	Gasket - Oiler tank	1	B,C,D,E,F,H,I,J
15	50340	Screw Assy - Sealing	3	B,C,D,E,F,H
	57840	Screw - Sealing	3	I,J
16	50569	Screw Assy - Sealing	1	B,C,D,E,F,H,I,J
17	63122	Piston - Oiler	1	B,C,D,E,F,H,I,J
18	101056	"O" Ring	1	B,C,D,E,F,H,I,J
19	24104A	Cup	1	B,C,D,E,F,H,I,J
20	63943	Spring - Primer	1	B,C,D,E,F,H,I,J

# 1-40/1-50 Series

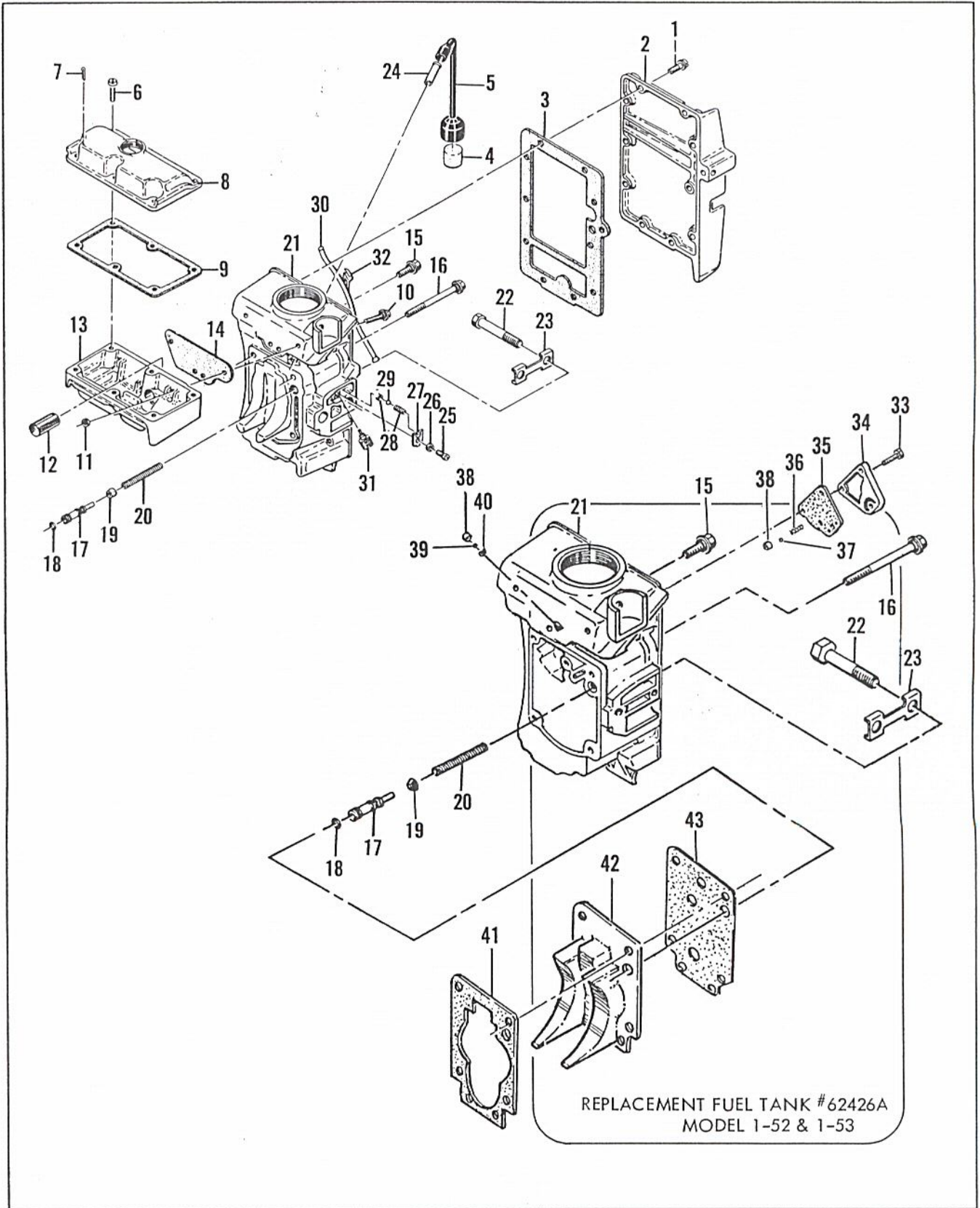


Figure 5. Fuel and Oiler Tanks - 1-41, 1-51 and up



## Figure 5. Fuel and Oiler Tank - 1-41, 1-51 & up (Cont.)

Index No.	Part Number	Nomenclature	Units Per Assy	Usable on Code
21	①	Fuel Tank Assy (Order Fuel Tank Assy #53553C). . . . .	1	B,C,D,E,F,H
		Fuel Tank Assy (Order Fuel Tank Assy #62426A). . . . .	1	I,J
22	57217	. Bolt - Bar mounting . . . . .	2	B,C,D,E,F,H,J
	57839	. Bolt - Bar mounting . . . . .	2	I
23	51439	. Plate - Lock . . . . .	1	B,C,D,E,F,H,J
	57868	. Plate - Lock . . . . .	1	I
24	28042	. Tube - Oiler housing. . . . .	1	B,C,D,E,F,H,I,J
25	102219	. Screw - Fil hd 8-32 x 1/4 . . . . .	1	B,C,D,E,F,H,I,J
26	100057	. Washer - Lock #8. . . . .	1	B,C,D,E,F,H,I,J
27	51941	. Retainer - Outlet valve spring . . . . .	1	B,C,D,E,F,H,I,J
28	62218	. Kit - Check valve. . . . .	1	B,C,D,E,F,H,I,J
29	100549	. Ball - 3/16 dia. . . . .	1	B,C,D,E,F,H,I,J
30	50501	. Tube - Vent. . . . .	1	B,C,D,E,F,H
31	50505A	. Orifice Assy . . . . .	1	B,C,D,E,F,H
32	104230	. Nut - Speed 1/8 dia. . . . .	1	B,C,D,E,F,H
<b>Fuel Tank Assembly #62426A</b>				
21	62426A	Tank Assy - Fuel . . . . .	1	I,J
15	57840	. Screw - Sealing . . . . .	3	I,J
16	50569	. Screw - Sealing . . . . .	1	I,J
17	63122	. Piston - Oiler . . . . .	1	I,J
18	101056	. "O" Ring. . . . .	1	I,J
19	24104A	. Cup . . . . .	1	I,J
20	63943	. Spring - Primer. . . . .	1	I,J
22	61437	. Bolt - Bar mounting . . . . .	2	I,J
23	51439	. Plate - Lock . . . . .	1	I,J
33	103814	. Screw - 10-24 x 5/8 (SEMS) . . . . .	3	I,J
34	62339A	. Plate - Pulse pump. . . . .	1	I,J
35	65673	. Gasket - Pulse pump. . . . .	1	I,J
36	63034	. Spring - Outlet valve. . . . .	1	I,J
37	100071	. Ball - 5/32 dia. . . . .	1	I,J
38	62216	. Seat - Ball . . . . .	2	I,J
39	100071	. Ball - 5/32 dia. . . . .	1	I,J
40	110327	. Ring - Retaining. . . . .	1	I,J
41	65654	. Gasket - Manifold. . . . .	1	I,J
42	53399E	. Bottom - Crankcase . . . . .	1	I,J
43	65669	. Gasket - Crankcase bottom . . . . .	1	I,J

① Fuel Tank Assy #53553C uses same parts as the no number tank, except SEMS Screw #110056 replaces Screw #102219 (item 25) and Washer #100057 (item 26).

# 1-40/1-50 Series

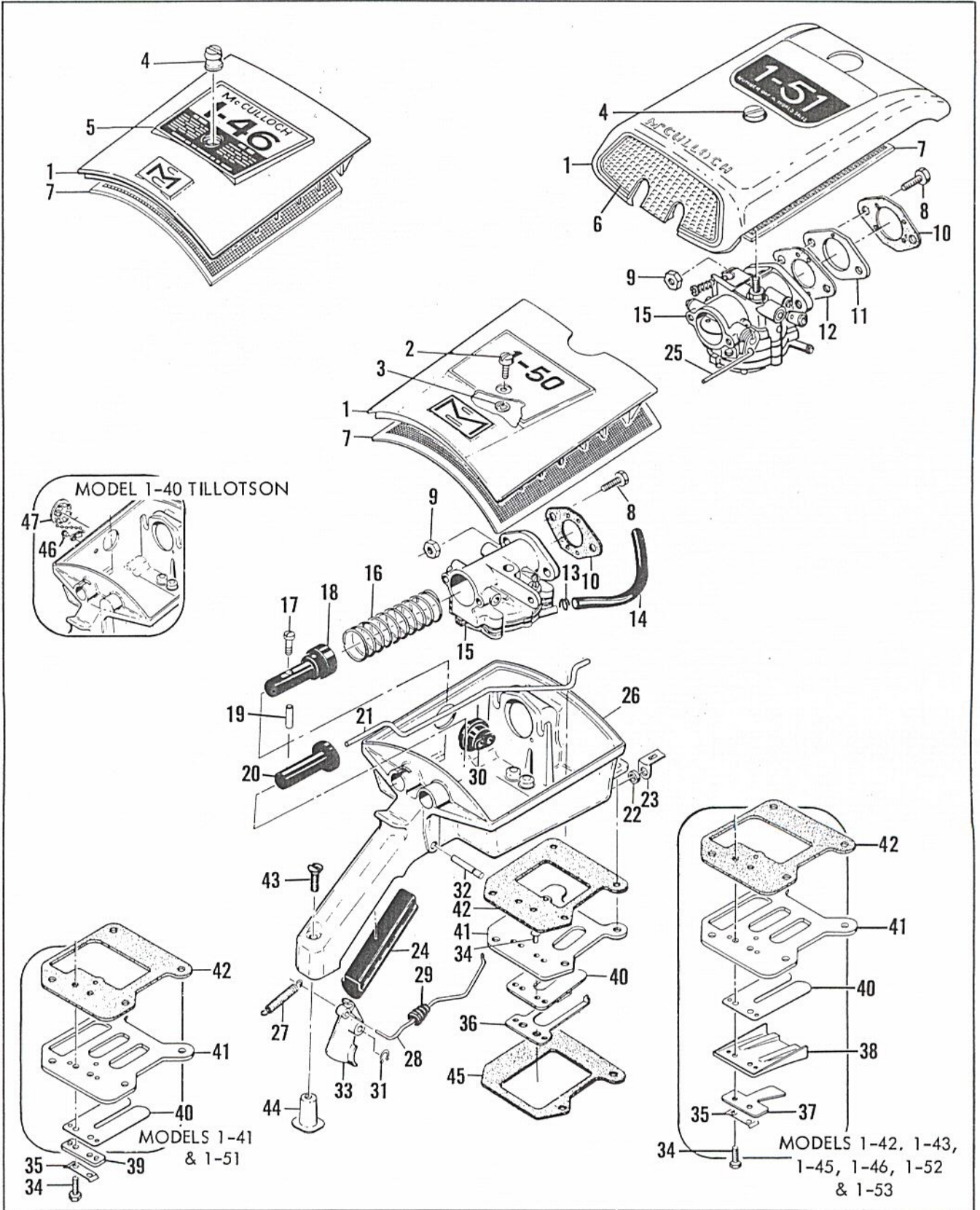


Figure 6. Airbox and Reed Valve



## Figure 6. Airbox and Reed Valve

Index No.	Part Number	Nomenclature	Units Per Assy	Usable on Code																				
Code: "A" indicates parts used on Model 1-40 chain saws.																								
"B" indicates parts used on Model 1-41 chain saws.																								
"C" indicates parts used on Model 1-42 chain saws.																								
"D" indicates parts used on Model 1-43 chain saws.																								
"E" indicates parts used on Model 1-45 chain saws.																								
"F" indicates parts used on Model 1-46 chain saws.																								
"G" indicates parts used on Model 1-50 chain saws.																								
"H" indicates parts used on Model 1-51 chain saws.																								
"I" indicates parts used on Model 1-52 chain saws.																								
"J" indicates parts used on Model 1-53 chain saws.																								
NOTE: McCulloch or Tillotson in parenthesis indicates parts used with that particular carburetor.																								
1		Cover Assy (Order Cover Assy #60303) . . . . .	1	A,B,C,D,E,F,G																				
		Cover Assy (Order Cover Assy #60342) . . . . .	1	H,I,J																				
2	51351	. Screw - Special . . . . .(McCulloch)	1	A,G																				
3	103741	. Nut - Speed 0.203 dia . . . . .(McCulloch)	1	A,G																				
4	50674	. Nut - Air cleaner cover. . . . .(Tillotson)	1	A,G																				
	50674	. Nut - Air cleaner cover. . . . .	1	B,C,D,E,F,H,I,J																				
<div style="text-align: center;">Air Cleaner Cover Assemblies #60303 and #60342</div> <tr> <td>1</td> <td>60303</td> <td>Cover Assy - Air cleaner . . . . .</td> <td>1</td> <td>A,B,C,D,E,F,G</td> </tr> <tr> <td></td> <td>60342</td> <td>Cover Assy - Air cleaner . . . . .</td> <td>1</td> <td>H,I,J</td> </tr> <tr> <td>4</td> <td>60241</td> <td>. Knob - Air cleaner cover. . . . .</td> <td>1</td> <td>A,B,C,D,E,F,G</td> </tr> <tr> <td></td> <td>60242</td> <td>. Knob - Air cleaner cover. . . . .</td> <td>1</td> <td>H,I,J</td> </tr>					1	60303	Cover Assy - Air cleaner . . . . .	1	A,B,C,D,E,F,G		60342	Cover Assy - Air cleaner . . . . .	1	H,I,J	4	60241	. Knob - Air cleaner cover. . . . .	1	A,B,C,D,E,F,G		60242	. Knob - Air cleaner cover. . . . .	1	H,I,J
1	60303	Cover Assy - Air cleaner . . . . .	1	A,B,C,D,E,F,G																				
	60342	Cover Assy - Air cleaner . . . . .	1	H,I,J																				
4	60241	. Knob - Air cleaner cover. . . . .	1	A,B,C,D,E,F,G																				
	60242	. Knob - Air cleaner cover. . . . .	1	H,I,J																				

# 1-40/1-50 Series

## Figure 6. Airbox and Reed Valve (Cont.)

Index No.	Part Number	Nomenclature	Units Per Assy	Usable on Code
	50777B	Button - Choke. . . . .(Tillotson)	1	A,G
	50777B	Button - Choke. . . . .	1	E,F,H,I,J
19	101556	Pin - Roll 1/8 x 5/8 . . . . .	1	B,C,D,E,F,H,I,J
20	50591B	Button - Oiler . . . . .	1	B,C,D,E,F,H,I,J
21	50568	Pushrod - Oiler . . . . .	1	B,C,D,G
	57062	Pushrod - Oiler . . . . .	1	E,F,H
	57866A	Pushrod - Oiler . . . . .	1	I,J
22	57736	Seal - Pushrod. . . . .	1	B,C,D,E,F,G,H,I,J
	100010	Pin - Cotter 1/16 x 1/2 . . . . .	1	A
23	57061	Retainer - Rod. . . . .	1	G
24	50218A	Grip - Handle . . . . .	1	E,F,G,H,I
	57834	Grip - Handle . . . . .	1	J
25	57134	Rod - Choke . . . . .	1	E,F,H,I,J
	50692	Rod - Choke . . . . .(Tillotson)	1	A,G
26		Airbox Assy (Order Airbox Assy #57449E) . . . . .(Tillotson)	1	A,G
	57449E	Airbox Assy - Universal . . . . .(McCulloch)	1	A,G
	57449E	Airbox Assy - Universal . . . . .	1	B,C,D,E,F,H,I,J
27	36499	. Spring . . . . .	1	ALL
28	50590	. Rod - Throttle. . . . .(McCulloch)	1	A,G
	50684	. Rod - Throttle. . . . .(Tillotson)	1	A,C,E,I
	50684	. Rod - Throttle. . . . .	1	B,D,H,J
	53279A	. Rod - Throttle. . . . .(McCulloch)	1	C,E,I
	53279A	. Rod - Throttle. . . . .	1	F
29	60237	. Grommet - Throttle . . . . .	1	ALL
30	50089	. Grommet - Carburetor control . . . . .(McCulloch)	1	A
	57105	. Grommet - Carburetor control . . . . .(McCulloch)	1	I
	57105	. Grommet - Carburetor control . . . . .(Tillotson)	1	C,E
	57105	. Grommet - Carburetor control . . . . .	1	B,D,H,J
	53277	. Grommet - Carburetor control . . . . .(McCulloch)	1	C,E
	53277	. Grommet - Carburetor control . . . . .	1	F
31	104501	. Retainer - Pin. . . . .	1	ALL
32	50507	. Pin - Trigger . . . . .	1	ALL
33	① 50091B	. Trigger . . . . .	1	ALL
	50747A	. Plate Assy - Reed . . . . .	1	A,G
		. Plate Assy (Order individual parts) . . . . .	1	B,C,D,E,F,H,I,J
34	104348	. Rivet - Csk hd 3/16 x 5/16. . . . .	2	A,G
	② 103740	. Screw - Hex hd 8-32 x 5/8 . . . . .	2	B,C,D,E,F,H,I,J
35	② 51480	. Plate - Lock . . . . .	1	B,C,D,E,F,H,I,J
36	51810A	. Guard - Reed valve. . . . .	1	A,G
37	② 57658A	. Clamp - Reed valve . . . . .	1	C,D,E,F,I,J
38	② 57654A	. Deflector - Fuel. . . . .	1	C,D,E,F,I,J
39	57173	. Clamp - Reed . . . . .	1	B,H
40	58399	. Valve - Reed. . . . .	1	ALL
41	50748A	. Plate - Reed . . . . .	1	A,G
	53685C	. Plate - Reed . . . . .	1	B,C,D,E,F,H,I,J
42	65579	. Gasket - Airbox. . . . .	1	A,G
	65653	. Gasket - Airbox. . . . .	1	B,C,D,E,F,H,I,J
43	104736	Screw - #12 x 1 . . . . .	1	D
44	57873	Plug - Handle . . . . .	1	D
45	50032B	Insulator - Reed. . . . .	1	A,B,G,H
	51657A	Insulator - Reed. . . . .	1	C,D,E,F,I,J
46	102808	Rivet - Oval hd 1/8 x 3/16 . . . . .(Tillotson)	1	A,G
47	51396A	Cover - Hole. . . . .(Tillotson)	1	A,G

① A throttle lock kit #57618 was dealer installed on some of these models. It consists of button #57619, spring #57629, rivet #100533 and washer #102539.

② These parts were dealer installed on some Model 1-41 and 1-51 saws in accordance with Service Bulletin #1128A.



## Figure 7. McCulloch Carburetor - Choke Type

Index No.	Part Number	Nomenclature	Units Per Assy	Usable on Code
Code: "A" indicates parts used on Model 1-40 chain saws.				
"C" indicates parts used on Model 1-42 chain saws.				
"E" indicates parts used on Model 1-45 chain saws.				
"F" indicates parts used on Model 1-46 chain saws.				
"G" indicates parts used on Model 1-50 chain saws.				
"I" indicates parts used on Model 1-52 chain saws.				
		Carburetor Assy (Order Tillotson Carburetor #50687E) . . . . .	1	A,G
		Carburetor Assy (Order Tillotson Carburetor #57182C) . . . . .	1	C
	① 57066	Carburetor Assy - McCulloch . . . . .	1	E,I
	②	Carburetor Assy (Order McCulloch Carb #66541) . . . . .	1	F
1	110127	. Screw - Hex hd 10-24 x 7/8 (SEMS) . . . . .	4	A,G
	104520	. Screw - Pan hd 10-24 x 7/8 (SEMS) . . . . .	4	C,E,F,I
2		. Body - Fuel pump (Order Tillotson Carb #50687E) . . . . .	1	A,G
	57667	. Body Assy - Fuel pump . . . . .	1	C,E,F,I
3	57277A	. Filter - Fuel pump . . . . .	1	C,E,F,I
4	55070B	. Diaphragm - Fuel pump . . . . .	1	A,G
	57274B	. Diaphragm Assy - Fuel pump . . . . .	1	C,E,F,I
5	65627	. Gasket - Fuel pump . . . . .	1	A,G
6	55068A	. Plate - Carburetor diaphragm . . . . .	1	A,G
	48901	. Plate - Carburetor diaphragm . . . . .	1	C,E,F,I
7	55067C	. Diaphragm . . . . .	1	A,C,E,F,G,I
8	55090	. Needle - Idle adjustment . . . . .	1	A,C,E,G,I
	53312	. Needle - Metering . . . . .	1	F
9	57078	. Needle - Carburetor adjustment . . . . .	1	A,C,E,G,I
	53311	. Needle - Main adjustment . . . . .	1	F
10	104001	. "O" Ring . . . . .	2	A,C,E,F,G,I
11	51705	. Spring - Idle screw . . . . .	1	A,C,E,F,G,I
12	③ 104814	. Screw - Pan hd 4-40 x 1/4 (SEMS) . . . . .	1	E,F,I
13	103540	. Washer - Lock #4 int . . . . .	1	E,I
14	55085	. Plate - Choke . . . . .	1	E,F,I
15	55086	. Shaft Assy - Choke . . . . .	1	E
	53280	. Shaft Assy - Choke . . . . .	1	F,I
16	55089	. Spring - Choke . . . . .	1	E,F,I
17	③ 104814	. Screw - Pan hd 4-40 x 1/4 (SEMS) . . . . .	1	A,C,E,F,G,I
18	103540	. Washer - Lock #4 int . . . . .	1	A,C,E,G,I
19	50701A	. Arm - Throttle shaft . . . . .	1	A,G
	53192	. Arm - Throttle shaft . . . . .	1	C,E,F,I
20	102219	. Screw - Fil hd 8-32 x 1/4 . . . . .	1	A,C,E,F,G,I
21	100252	. Washer - Lock #8 . . . . .	1	A,C,E,F,G,I
22	55082	. Clip - Shaft . . . . .	1	A,C,E,F,G,I
23	③ 104814	. Screw - Pan hd 4-40 x 1/4 (SEMS) . . . . .	1	A,C,E,F,G,I
24	103540	. Washer - Lock #4 int . . . . .	1	A,C,E,G,I
25	55085	. Plate - Throttle . . . . .	1	A,C,E,G,I
	53309	. Plate - Throttle . . . . .	1	F
26	50493	. Shaft - Throttle . . . . .	1	A,G
	50350	. Shaft - Throttle . . . . .	1	C,E,F,I
27		. Body Assy (Order individual parts) . . . . .	1	A,F,G
	53215	. Body Assy - Carburetor . . . . .	1	C,E,I
28	104164	. Screw - Pan hd 4-40 x 1/4 slf tap . . . . .	1	A,C,E,F,G,I
29	55065	. Pin - Inlet lever . . . . .	1	A,G
	104305	. Pin - Inlet lever . . . . .	1	C,E,F,I
30	55066	. Lever - Inlet control . . . . .	1	A,G
	55688	. Lever - Inlet control . . . . .	1	C,E,F,I

① Model 1-45 saws with small throttle opening carburetor stamped with star on mounting flange use Code "F" parts.

② Model 1-46 saws above serial number 2762 used carburetor #58856C (Figure 8).

③ Screw #104814 is a replacement screw. It does not require use of Washer #103540.

# 1-40/1-50 Series

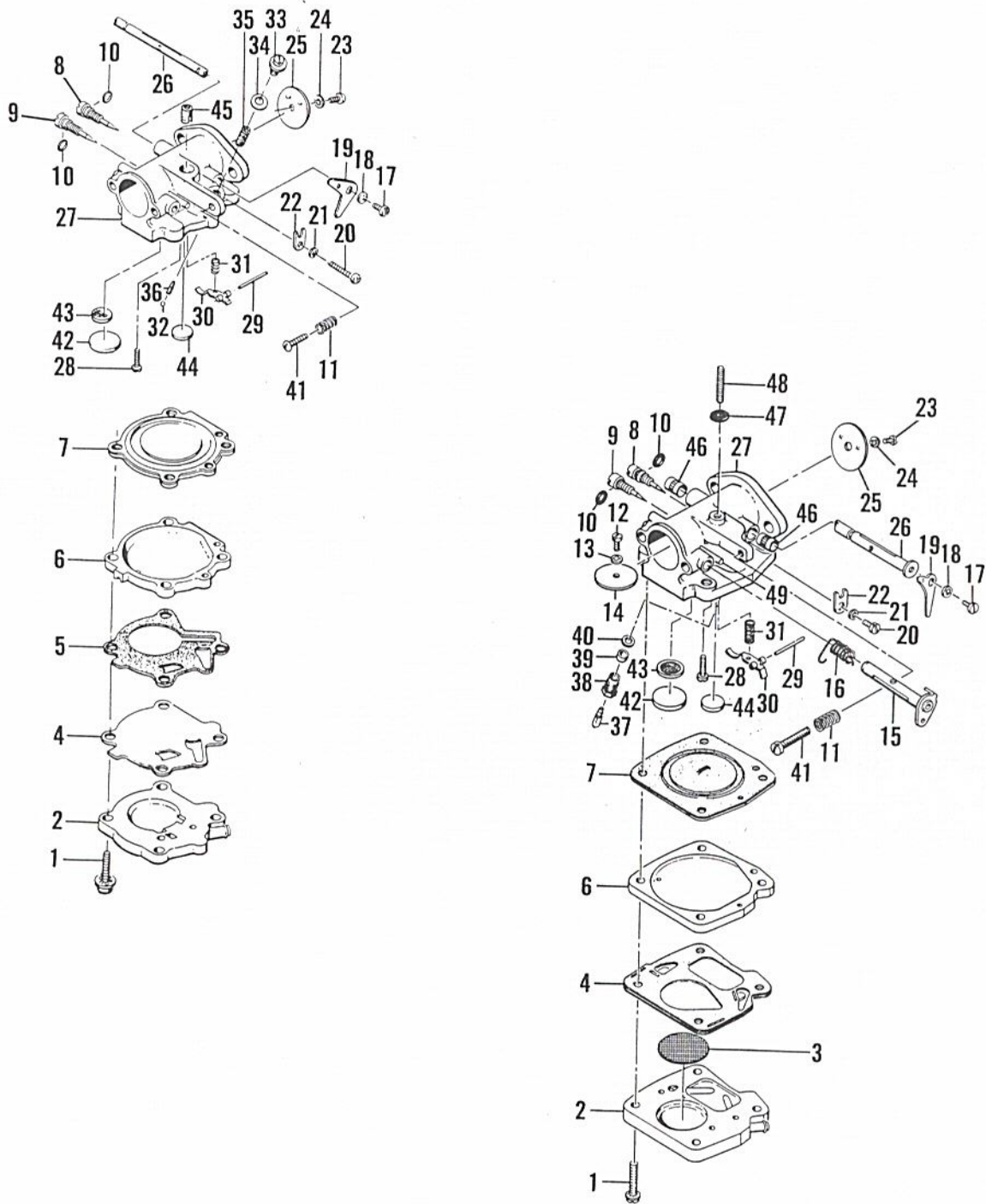


Figure 7. McCulloch Carburetor - Choke Type



## Figure 7. McCulloch Carb. - Choke Type (Cont.)

Index No.	Part Number	Nomenclature	Units Per Assy	Usable on Code
31	55084	Spring - Inlet control lever	1	A,G
	57172	Spring - Inlet control lever	1	C,E,F,I
32	100302	Ball - 1/8 dia	1	A,G
33	55360	Plug - Filter	1	A,G
34	50126	Gasket - Valve	1	A,G
35	55348	Filter - Fuel	1	A,G
36	55343	Seat - Ball check	1	A,G
37	55476A	Valve - Needle	1	C,E,F,I
38	55475	Body - Needle	1	C,E,F,I
39	55474	Seat - Needle	1	C,E,F,I
40	55689	Washer - Carburetor valve seat	1	C,E,F,I
41	62910	Screw - Idle adjustment	1	A,C,E,F,G,I
42	104145	Plug - Exp 3/4 dia	1	A,G
	104407	Plug - Exp 1 dia	1	C,E,F,I
43	55063	Filter - Carburetor	1	A,G
	55690B	Filter - Fuel	1	C,E,F,I
44	110179	Plug - Exp 1/2 dia	1	A,C,E,F,G,I
45	101616	Insert - Taplock	1	A,G
46	55062A	Bushing - Carburetor body	2	C,E,F,I
47	100283	Grommet	1	C,E,F,I
48	48611	Stud	1	C,E,F,I
49	104210	Pin - Groove 5/32 x 3/8	1	C,E,F,I

## Figure 8. McCulloch Carburetor - Primer Type

Index No.	Part Number	Nomenclature	Units Per Assy	Usable on Code
Code: "F" indicates parts used on Model 1-46 chain saws serial number 2762 and up. For lower serial numbers see Figure 7.				
1	58856C	Carburetor Assy - McCulloch	1	F
1	110054	Screw - Pan hd 6-32 x 3/8 (SEMS)	2	F
2	53440	Bracket - Primer mounting	1	F
3	53449	Primer Assy	1	F
4	101056	"O" Ring	2	F
5	59480	Seat - Primer valve	1	F
6	100302	Ball - 1/8 dia	1	F
7	28754	Spring - Primer	1	F
8	100283	Grommet	1	F
9	104520	Screw - Pan hd 10-24 x 7/8 (SEMS)	4	F
10	57667	Body Assy - Fuel pump	1	F
11	57277A	Filter - Fuel pump	1	F
12	57274B	Diaphragm Assy - Fuel pump	1	F
13	48901	Plate - Carburetor diaphragm	1	F
14	55067C	Diaphragm	1	F
15	53948	Needle - Idle adjustment	1	F
16	53311	Needle - Main adjustment	1	F
17	104001	"O" Ring	2	F
18	62910	Screw - Idle adjustment	1	F
19	51705	Spring - Idle screw	1	F
20	53309	Plate - Throttle	1	F
21	110055	Screw - Fil hd 8-32 x 3/8 (SEMS)	1	F
22	55082	Clip - Shaft	1	F
23	53588A	Shaft Assy - Throttle	1	F

① This carburetor requires use of primer rod 53589A instead of a choke rod.

# 1-40/1-50 Series

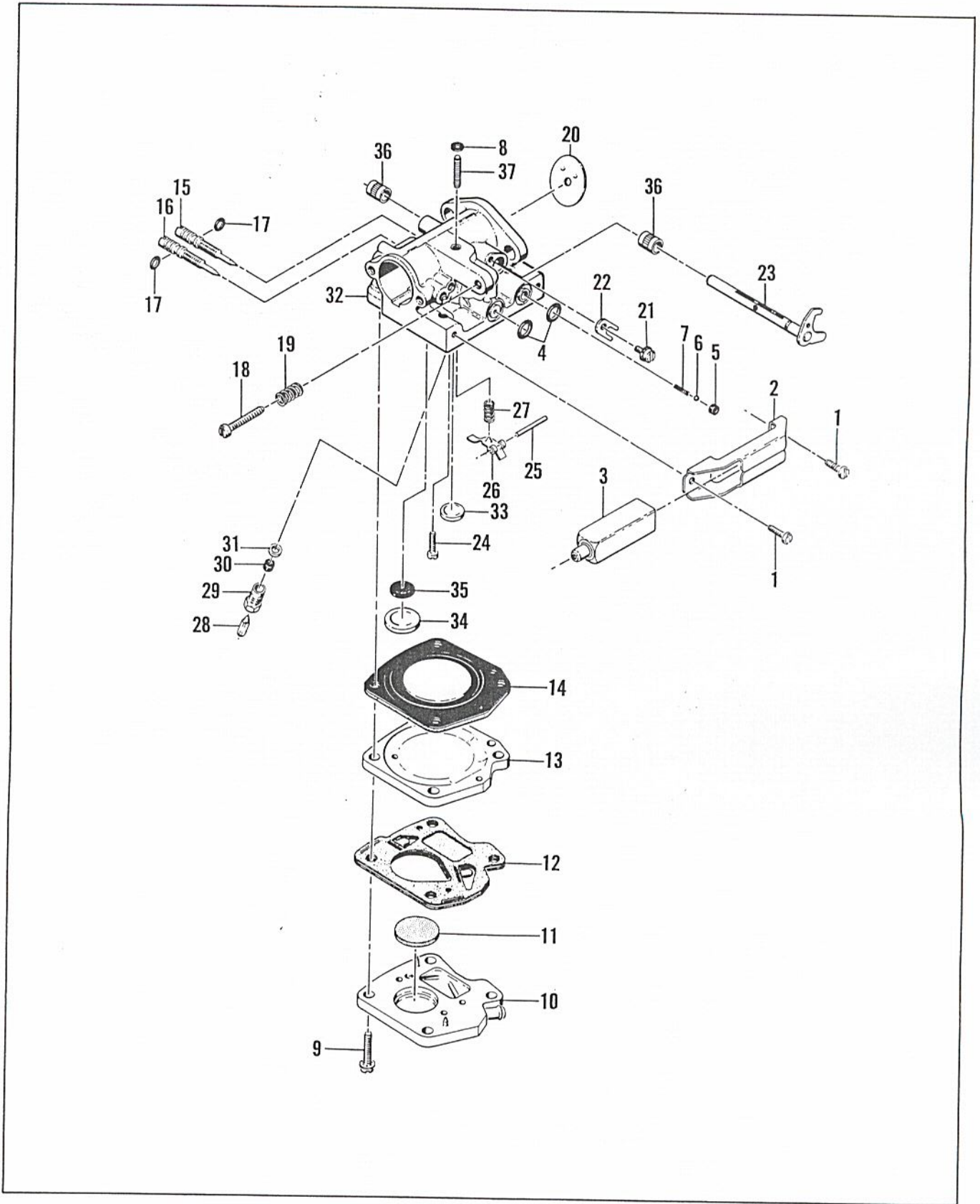


Figure 8. McCulloch Carburetor - Primer Type



Figure 8 McCulloch Carb. - Primer Type (Cont.)

Index No.	Part Number	Nomenclature	Units Per Assy	Usable on Code
24	104164	. Screw - Rd hd 4-40 x 1/4 slf tap . . . . .	1	F
25	104305	. Pin - Lever . . . . .	1	F
26	55688	. Lever - Inlet control . . . . .	1	F
27	57172	. Spring - Inlet control lever . . . . .	1	F
28	55476A	. Valve - Needle . . . . .	1	F
29	55475	. Body - Needle . . . . .	1	F
30	55474	. Seat - Needle . . . . .	1	F
31	55689	. Washer - Carburetor valve seat . . . . .	1	F
32	②	. Carburetor Body (Order Body Assy #58852B) . . . . .	1	F
33	110179	. Plug - Exp 1/2 dia . . . . .	1	F
34	104407	. Plug - Exp 1 dia . . . . .	1	F
35	55690B	. Filter - Fuel . . . . .	1	F
36	55062A	. Bushing - Carburetor body . . . . .	2	F
37	48611	. Stud . . . . .	1	F

② Carburetor Body Assy #58852B is same as original carburetor body except check valve kit #61155 consisting of ball #61151 and seat #61152 replaces item 35, fuel filter #55690B.

Figure 9. Tillotson Carburetor

Index No.	Part Number	Nomenclature	Units Per Assy	Usable on Code
		Code: "A" indicates parts used on Model 1-40 chain saws.		
		"B" indicates parts used on Model 1-41 chain saws.		
		"C" indicates parts used on Model 1-42 chain saws.		
		"D" indicates parts used on Model 1-43 chain saws.		
		"G" indicates parts used on Model 1-50 chain saws.		
		"H" indicates parts used on Model 1-51 chain saws.		
		"I" indicates parts used on Model 1-52 chain saws.		
		"J" indicates parts used on Model 1-53 chain saws.		
	50687E	Carburetor Assy - Tillotson . . . . .	1	A,G,H,I,J
	57182C	Carburetor Assy - Tillotson . . . . .	1	B,C,D
1	*50799	. Screw - Idle adjustment . . . . .	1	A,B,C,D,G,H,I,J
2	*51705	. Spring - Idle screw . . . . .	1	A,B,C,D,G,H,I,J
3	50785	. Stud - Air cleaner attaching . . . . .	1	A,B,C,D,G,H,I,J
4	65585	. Gasket - Air cleaner attaching stud . . . . .	1	A,B,C,D,G,H,I,J
5	*50797	. Screw - Fuel cover . . . . .	1	A,B,C,D,G,H,I,J
6	50798	. Gasket - Strainer cover screw . . . . .	1	A,B,C,D,G,H,I,J
7	50796	. Cover - Fuel strainer . . . . .	1	A,B,C,D,G,H,I,J
8	51704	. Gasket - Fuel strainer . . . . .	1	A,B,C,D,G,H,I,J
9	*53717	. Element - Fuel strainer . . . . .	1	A,B,C,D,G,H,I,J
10	51597	. Screw - Fil hd . . . . .	6	A,B,C,D,G,H,I,J
11	50670	. Body Assy - Fuel pump . . . . .	1	A,B,C,D,G,H,I,J
12	53164	. Diaphragm - Fuel pump . . . . .	1	A,B,C,D,G,H,I,J
13	*65592	. Gasket - Fuel pump . . . . .	1	A,B,C,D,G,H,I,J
14	51592	. Cover - Diaphragm . . . . .	1	A,B,C,D,G,H,I,J
15	*51590A	. Diaphragm . . . . .	1	A,B,C,D,G,H,I,J
16	65591	. Gasket - Diaphragm cover . . . . .	1	A,B,C,D,G,H,I,J
17	*51702	. Screw - Idle adjustment . . . . .	1	A,B,C,D,G,H,I,J
18	*51712	. Needle - Main adjustment . . . . .	1	A,B,C,D,G,H,I,J
19	51703	. "O" Ring . . . . .	2	A,B,C,D,G,H,I,J
20	51721	. Screw - Throttle . . . . .	1	A,G,H,I,J

\*Contained in Repair Kit #50807

# 1-40/1-50 Series

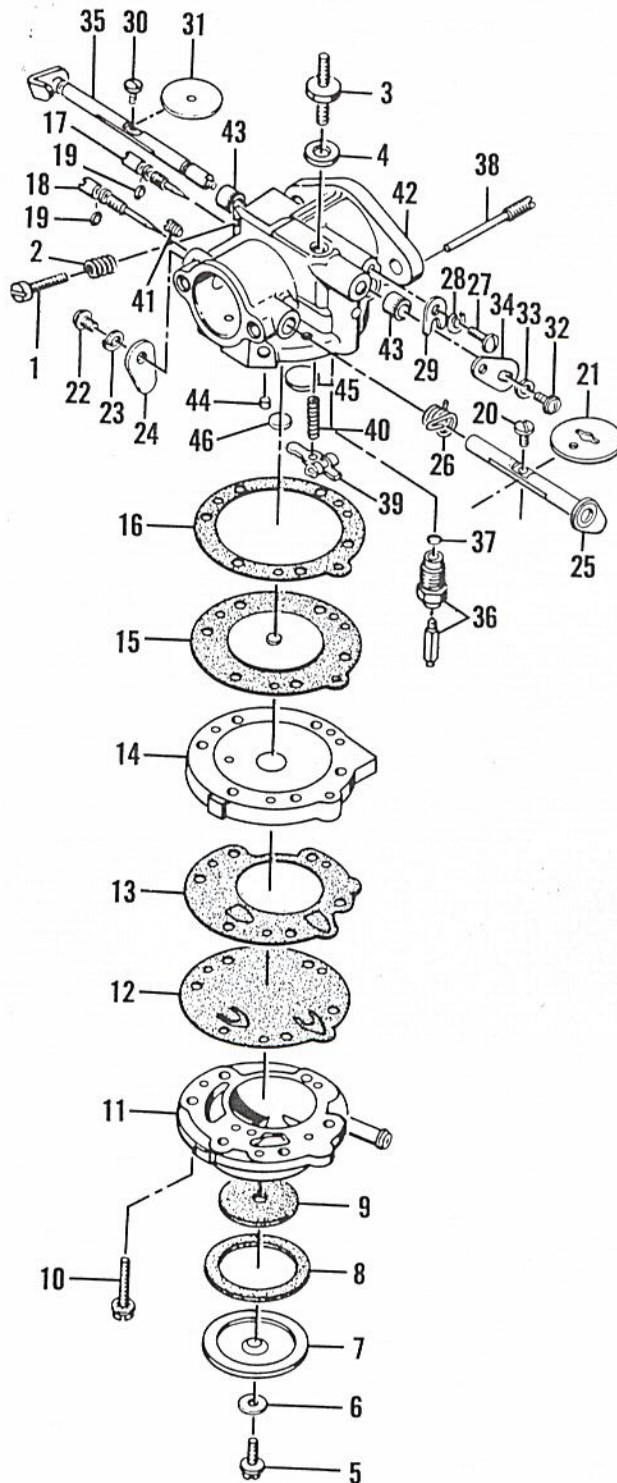


Figure 9. Tillotson Carburetors



## Figure 9. Tillotson Carburetor (Cont.)

Index No.	Part Number	Nomenclature	Units Per Assy	Usable on Code
21	51587	Shutter - Choke . . . . .	1	A,G,H,I,J
22	51719	Screw - Choke lever . . . . .	1	A,G,H,I,J
23	100261	Washer - Lock #4. . . . .	1	A,G,H,I,J
24	51546	Lever - Choke . . . . .	1	A,G,H,I,J
25	50789	Shaft - Choke. . . . .	1	A,G,H,I,J
26	*51586	Spring - Torsion . . . . .	1	A,G,H,I,J
27	51717	Screw - Throttle . . . . .	1	A,G,H,I,J
28	100252	Washer - Lock #8. . . . .	1	A,B,C,D,G,H,I,J
29	51716	Clip - Throttle shaft. . . . .	1	A,B,C,D,G,H,I,J
30	*51721	Screw - Throttle . . . . .	1	A,B,C,D,G,H,I,J
31	51720	Shutter - Throttle. . . . .	1	A,B,C,D,G,H,I,J
32	51719	Screw - Throttle lever . . . . .	1	A,B,C,D,G,H,I,J
33	*100261	Washer - Lock #4. . . . .	1	A,B,C,D,G,H,I,J
34	50804	Lever - Throttle . . . . .	1	A,B,C,D,G,H,I,J
35	50803A	Shaft and Lever Assy . . . . .	1	A,B,C,D,G,H,I,J
36	*51707A	Needle and Seat - Matched inlet . . . . .	1	A,B,C,D,G,H,I,J
37	51708	Gasket - Inlet seat . . . . .	1	A,B,C,D,G,H,I,J
38	*51710	Pin Assy. . . . .	1	A,B,C,D,G,H,I,J
39	*51709	Lever - Inlet control. . . . .	1	A,B,C,D,G,H,I,J
40	51711	Spring - Inlet control lever . . . . .	1	A,B,C,D,G,H,I,J
41	51589	Screw Drain Plug. . . . .	1	A,B,C,D,G,H,I,J
42	50779C	Body Assy - Carburetor . . . . .	1	A,B,C,D,G,H,I,J
	57282B	Body Assy - Carburetor . . . . .	1	A,G,H,I,J
43	51715	Bushing - Throttle shaft . . . . .	1	B,C,D
44	52928	Plug - Cup . . . . .	2	A,B,C,D,G,H,I,J
45	*51583	Plug - Welsh. . . . .	1	A,B,C,D,G,H,I,J
46	*51584	Plug - Welsh. . . . .	1	A,B,C,D,G,H,I,J
	*50806	Gasket Set. . . . .		A,B,C,D,G,H,I,J
	50807	Carburetor Repair Kit. . . . .		A,B,C,D,G,H,I,J

\*Contained in Repair Kit #50807

## Figure 10. Powerhead

Index No.	Part Number	Nomenclature	Units Per Assy	Usable on Code
Code: "A" indicates parts used on Model 1-40 chain saws.				
"B" indicates parts used on Model 1-41 chain saws.				
"C" indicates parts used on Model 1-42 chain saws.				
"D" indicates parts used on Model 1-43 chain saws.				
"E" indicates parts used on Model 1-45 chain saws.				
"F" indicates parts used on Model 1-46 chain saws.				
"G" indicates parts used on Model 1-50 chain saws.				
"H" indicates parts used on Model 1-51 chain saws.				
"I" indicates parts used on Model 1-52 chain saws.				
"J" indicates parts used on Model 1-53 chain saws.				
1	110127	Screw - Hex hd 10-24 x 7/8 (SEMS) . . . . .	2	A,B,C,E,F,G,H,I
	101965	Screw - Fil hd 10-24 x 7/8 (SEMS) . . . . .	2	D,J
2	① 102189	Washer - Flat #10 . . . . .	2	A,B,C,E,F,G,H,I,J
	① 100003	Washer - 0.064 thick. . . . .	2	D
3	51253	Retainer - Coil . . . . .	2	ALL
4	51251	Lamination Assy . . . . .	1	ALL

① These washers were used on original saws. If replacement sems screws (item 1) are used, these washers are not required.

# 1-40/1-50 Series

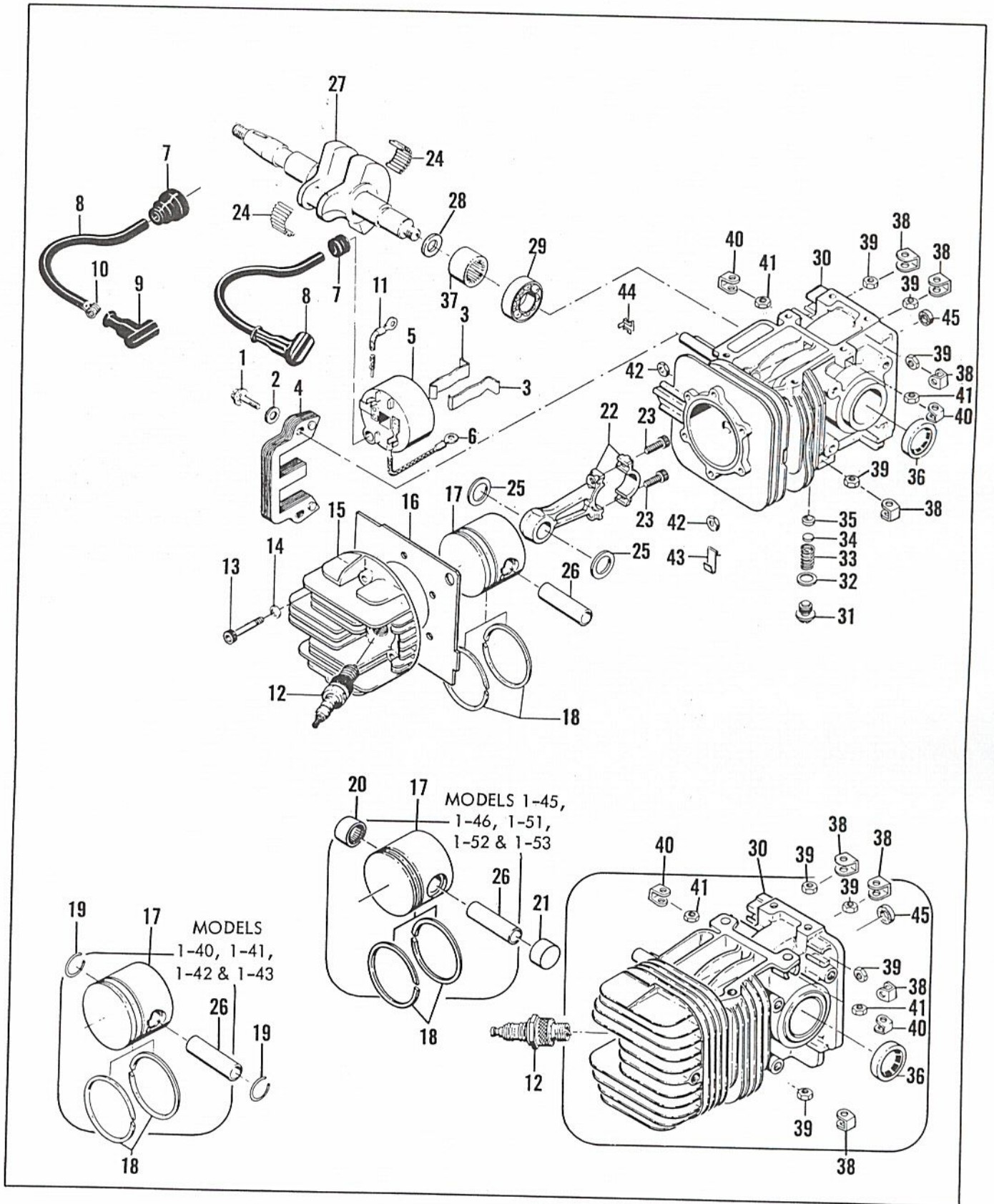


Figure 10. Powerhead



## Figure 10. Powerhead (Cont.)

Index No.	Part Number	Nomenclature	Units Per Assy	Usable on Code
5		Coil and Terminal Assy (Order Universal Kit #57643A) . .	1	A,B,C,G,H
6	55949A	Coil and Terminal Assy. . . . .	1	D,E,F,I,J
7	101883	. Wire Assy - Ground . . . . .	1	ALL
8	100268	. Grommet . . . . .	1	A,G
	55617	. Nipple - Spark plug. . . . .	1	D,E,F,J
	50120	. Wire Assy - Spark plug. . . . .	1	A,G
	57121	. Wire Assy - Spark plug. . . . .	1	B,H
	52547	. Wire Assy - Spark plug. . . . .	1	C,D,E,F,I,J
9	55060	. . Boot - Spark plug. . . . .	1	C,D,E,F,I,J
10	55061	. . Connector - Spark plug wire. . . . .	1	C,D,E,F,I,J
11	57225	. Wire Assy - Primary . . . . .	1	D,E,F,I,J
	50137	Wire Assy - Primary . . . . .	1	A,G
	57225	Wire Assy - Primary . . . . .	1	B,C,H
12		Spark Plug - 14 mm . . . . .	1	ALL
13	101563	Screw - Skt hd 10-24 x 1-1/4 . . . . .	6	A,B,C,E,G,H
14	24236	Spacer . . . . .	6	A,B,C,E,G,H
15	55146A	Head - Cylinder . . . . .	1	A,B,G,H
	55355B	Head - Cylinder . . . . .	1	C,E
16	65626	Gasket - Cylinder head . . . . .	1	A,B,G,H
	65577	Gasket - Cylinder head . . . . .	1	C,E
17	50206	Piston Assy - Standard . . . . .	1	A,B,C,D
	48695	Piston Assy - Standard . . . . .	1	E,F
	55007A	Piston Assy - Standard . . . . .	1	G,H
	55310A	Piston Assy - Standard . . . . .	1	I,J
18	55123	. Piston Ring Set - Standard. . . . .	1	A,B,C,D,G,H,I,J
	48691	. Piston Ring Set - Standard. . . . .	1	E,F
19	50133	. Ring - Retaining. . . . .	2	A,B,C,D
20	101206	. Bearing - Needle . . . . .	1	E,F,G,H,I,J
21	104378	. Bearing - Needle . . . . .	1	E,F,G,H,I,J
17	48684	Piston Assy - 0.010 oversize . . . . .	1	E,F
	55057A	Piston Assy - 0.010 oversize . . . . .	1	G,H
	55322A	Piston Assy - 0.010 oversize . . . . .	1	I,J
18	48692	. Piston Ring Set - 0.010 oversize. . . . .	1	E,F
	55124	. Piston Ring Set - 0.010 oversize. . . . .	1	G,H,I,J
20	101206	. Bearing - Needle . . . . .	1	E,F,G,H,I,J
21	104378	. Bearing - Needle . . . . .	1	A,B,C,D
17	50134	Piston Assy - 0.020 oversize . . . . .	1	E,F
	48685	Piston Assy - 0.020 oversize . . . . .	1	G,H
	55058A	Piston Assy - 0.020 oversize . . . . .	1	I,J
	55323A	Piston Assy - 0.020 oversize . . . . .	1	A,B,C,D,G,H,I,J
18	55125	. Piston Ring Set - 0.020 oversize. . . . .	1	E,F
	48693	. Piston Ring Set - 0.020 oversize. . . . .	1	A,B,C,D,G,H,I,J
19	50133	. Ring - Retaining. . . . .	2	E,F
20	101206	. Bearing - Needle . . . . .	1	A,B,C,D
21	104378	. Bearing - Needle . . . . .	1	E,F,G,H,I,J
17	48686	Piston Assy - 0.030 oversize . . . . .	1	E,F,G,H,I,J
	55059A	Piston Assy - 0.030 oversize . . . . .	1	E,F
	55324A	Piston Assy - 0.030 oversize . . . . .	1	G,H
18	48694	. Piston Ring Set - 0.030 oversize. . . . .	1	I,J
	55126	. Piston Ring Set - 0.030 oversize. . . . .	1	E,F
20	101206	. Bearing - Needle . . . . .	1	G,H,I,J
21	104378	. Bearing - Needle . . . . .	1	E,F,G,H,I,J
22	47903	Rod Assy - Connecting . . . . .	1	ALL
23	60210A	. Screw - Special . . . . .	2	ALL
24	102742	. Needle Roller - Package of 25 (24 used on these models)	1	ALL
25	51209	Washer - Thrust . . . . .	2	ALL
26	50207A	Pin - Piston . . . . .	1	E,F,G,H,I,J
	57198	Pin - Piston . . . . .	1	A,B,C,D,G
27	50659A	Crankshaft . . . . .	1	E,F,H,I,J
	57830A	Crankshaft . . . . .	1	A,B,C,D,E,F,G,H
28	53834	Washer - Clutch. . . . .	1	I,J
29	100824	Bearing - Ball . . . . .	1	D,E,J
			1	I,J

# 1-40/1-50 Series

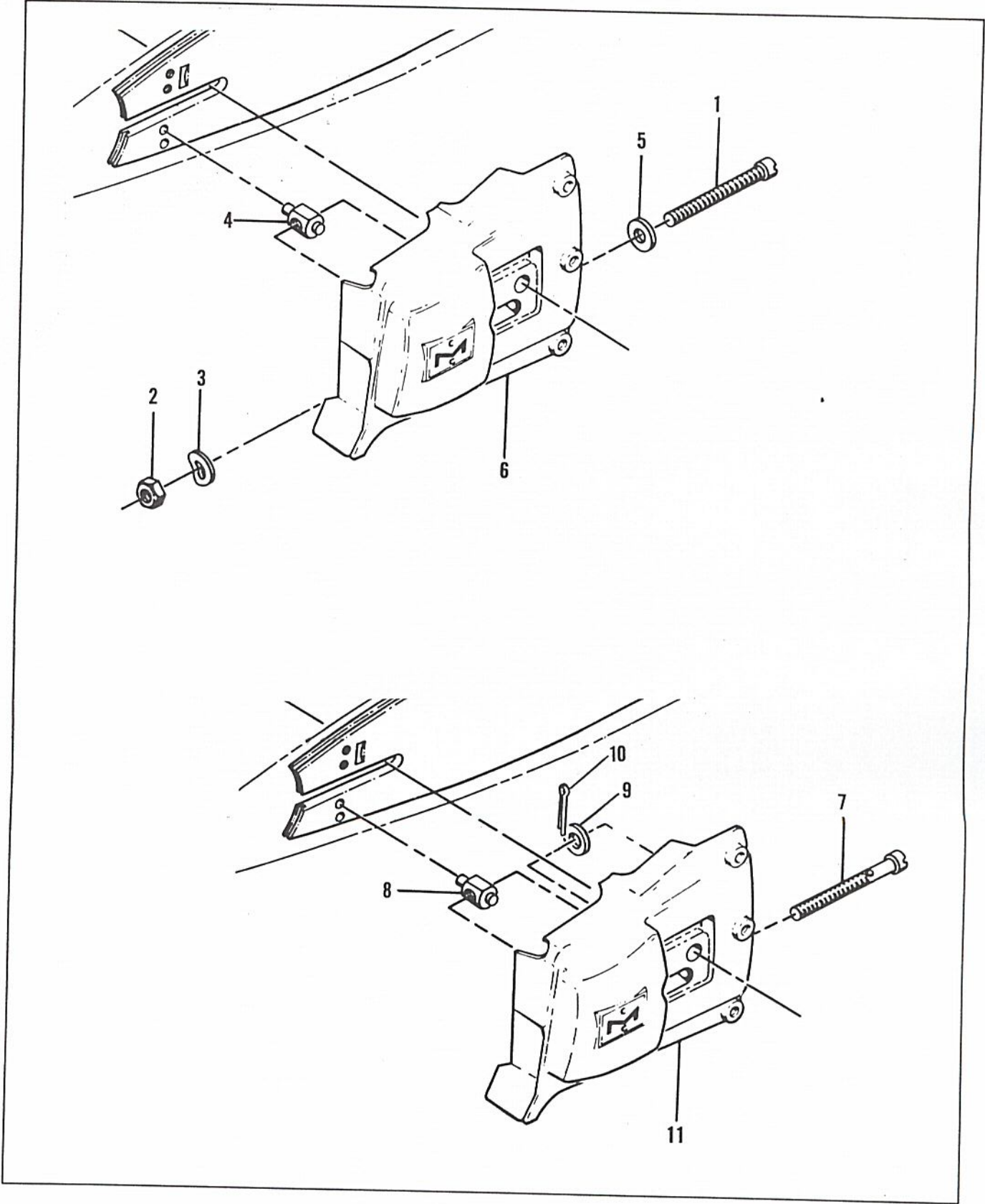


Figure 11. Clutch Guard



# 1-40/1-50 Series

## Figure 10. Powerhead (Cont.)

Index No.	Part Number	Nomenclature	Units Per Assy	Usable on Code
30	50737	Crankcase Assy . . . . .	1	A,G
	53563A	Crankcase Assy (Order Cylinder Crankcase #61911). . . . .	1	B,C,D,E,F,H
31	50092B	Cylinder Crankcase Assy . . . . .	1	I,J
32	50126	. Body - Valve . . . . .	1	A,G
33	50173A	. Gasket - Valve . . . . .	1	A,G
34	50174	. Spring - Oiler valve . . . . .	1	A,G
35	50171	. Disc - Valve . . . . .	1	A,G
36	104128	. Seat - Valve . . . . .	1	A,G
	104432	. Seal - Oil . . . . .	1	A,B,C,D,E,F,G,H
37	104129	. Seal - Oil . . . . .	1	I,J
38	18556A	. Bearing - Needle . . . . .	1	A,B,C,D,E,F,G,H
39	101143	. Retainer - Nut . . . . .	6	ALL
40	28053	. Nut - Hex 1/4-20 . . . . .	6	ALL
41	101326	. Retainer - Nut . . . . .	2	ALL
42	101326	. Nut - Hex 10-24 . . . . .	2	ALL
43	57063	. Nut - Hex 10-24 . . . . .	6	A,B,C,E,G,H
44	104255	. Retainer - Nut . . . . .	4	A,B,C,E,G,H
45	57736	. Retainer - Nut . . . . .	2	A,B,C,E,G,H
	28092	. Seal - Pushrod . . . . .	1	B,C,D,E,F,H,I,J
		. Washer - Felt . . . . .	1	G
Replacement Cylinder Crankcase #61911				
30	61911	Cylinder - Crankcase . . . . .	1	B,C,D,E,F,H
36	104128	. Seal - Oil . . . . .	1	B,C,D,E,F,H
37	104129	. Bearing - Needle . . . . .	1	B,C,D,E,F,H
38	18556A	. Retainer - Nut . . . . .	6	B,C,D,E,F,H
39	103242	. Nut - Hex 1/4-20 Jam . . . . .	6	B,C,D,E,F,H
40	28053	. Retainer - Nut . . . . .	2	B,C,D,E,F,H
41	101191	. Nut - Hex 10-24 lock . . . . .	2	B,C,D,E,F,H

## Figure 11. Clutch Guard

Index No.	Part Number	Nomenclature	Units Per Assy	Usable on Code
Code: "A" indicates parts used on Model 1-40 chain saws. "B" indicates parts used on Model 1-41 chain saws. "C" indicates parts used on Model 1-42 chain saws. "D" indicates parts used on Model 1-43 chain saws. "E" indicates parts used on Model 1-45 chain saws. "F" indicates parts used on Model 1-46 chain saws. "G" indicates parts used on Model 1-50 chain saws. "H" indicates parts used on Model 1-51 chain saws. "I" indicates parts used on Model 1-52 chain saws. "J" indicates parts used on Model 1-53 chain saws.				
1	53557	Clutch Guard Assy (Order Clutch Guard #60133A) . . . . .	1	D,F,J
2	100640	. Screw - Fil hd . . . . .	1	D,F,J
3	102813	. Nut - Hex 1/4-28 lock . . . . .	1	D,F,J
4	52207C	. Washer - Spring . . . . .	1	D,F,J
5	102843	. Nut - Bar adjustment . . . . .	1	D,F,J
6		. Washer - 1/4 plain . . . . .	1	D,F,J
		. Guard - Clutch . . . . .	1	D,F,J
Clutch Guard Assy #60133A				
7	60133A	Clutch Guard Assy . . . . .	1	ALL
8	62057	. Screw - Special 1/4-28 x 3-1/2 . . . . .	1	ALL
9	52207C	. Nut - Bar adjustment . . . . .	1	ALL
10	100004	. Washer - 1/4 plain . . . . .	1	ALL
11	105686	. Pin - Cotter 1/16 x 1/2 . . . . .	1	ALL
	60134	. Guard - Clutch . . . . .	1	ALL



The information contained in this Master Illustrated Parts List is based on original Illustrated Parts Lists, Engineering Records and the Master Parts Price List and is accurate to the best of our knowledge.

This Master Illustrated Parts List carries all the available parts for servicing and repairing the listed chain saw engines. When assemblies are no longer sold but parts are available for repair of the assemblies, the individual parts are listed under the no-longer available assembly and the replacement assembly is carried in parenthesis directly after the name of the part. Replacement assemblies when used in the production of other models appear in sequence in the various lists.

Each chain saw model is given a code letter. Whenever the code letter appears in the right hand column, the part is used on the engines of the model for which the code letter stands. When a part is used on all models covered in the Master Illustrated Parts List, the word "All" appears in the right-hand column instead of the code letters.

Names of parts have been checked and made to agree with the names given in the Master Parts Price List except in a very few cases where additional nomenclature was required.

The illustrations of the individual parts do not necessarily picture all the differences between parts with the same item number because the illustrations would be too complicated for use if they did. Instead, the illustration shows a representative part for each item number.