

McCULLOCH PORTABLE GENERATOR

MODEL H-2000
TYPE 12-400465A,B,C,D,E



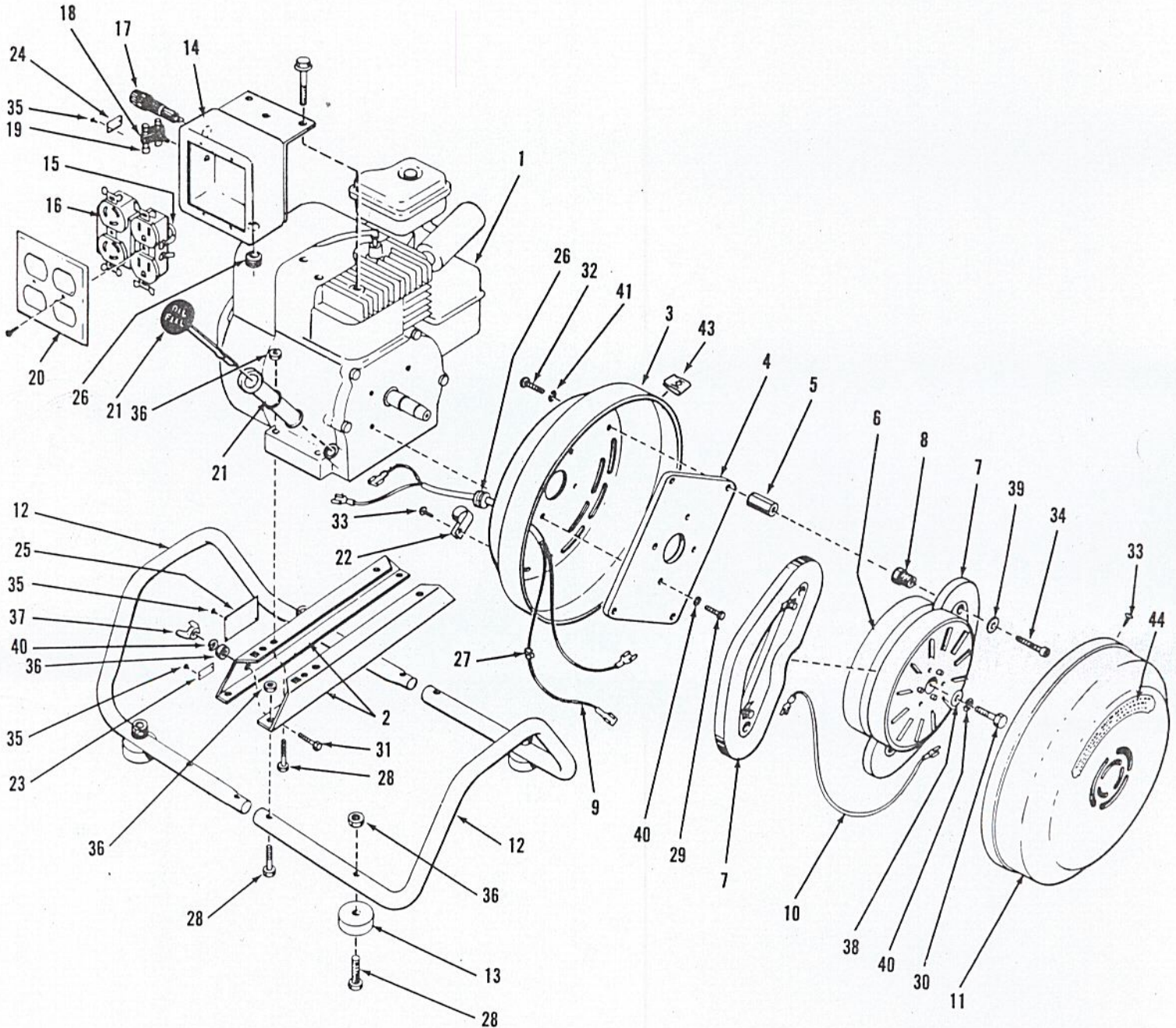
The McCulloch H-2000 Portable Generator is a light-weight, high power unit that is versatile and flexible. It is available as a 110 Vac and a 220 Vac unit. Output voltage frequencies of either 50 Hz (International Standard) or 60 Hz (American Standard) are available, and can be adjusted by your authorized McCulloch Servicing Dealer, or McCulloch Master Service Center. Power Output up to 1700 W continuous (2000 W intermittent) is available, depending on the application for which the generator is adjusted.



McCULLOCH CORP.
6101 WEST CENTURY BOULEVARD
LOS ANGELES, CALIFORNIA 90045

| IMPORTANT TORQUE VALUES | | |
|-------------------------|--------------------------------------|--------------------------|
| ITEM NO. | DESCRIPTION | TORQUE VALUE in./lbs. |
| 29 | Retaining Bolts Engine to Back Cover | 120-144 |
| 30 | Rotor Retaining Bolt | 240-264 |
| 32 | Stator Post Retaining Bolt | 120-140 |
| 34 | Stator Retaining Screw | 55-60 |

All remaining hardware to be securely tightened within reasonable limits



WHEN ORDERING PARTS, PLEASE SPECIFY GENERATOR MODEL AND TYPE NO.

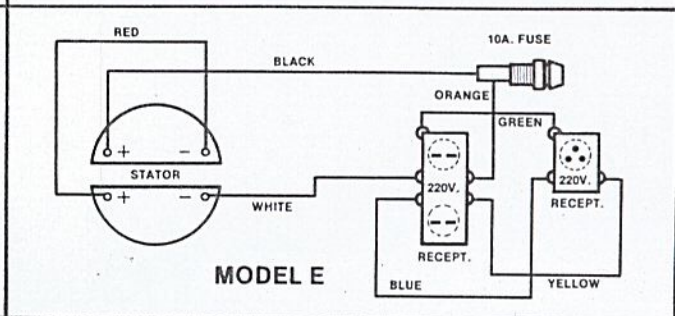
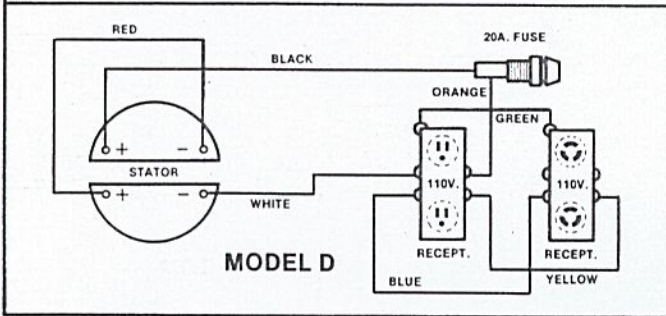
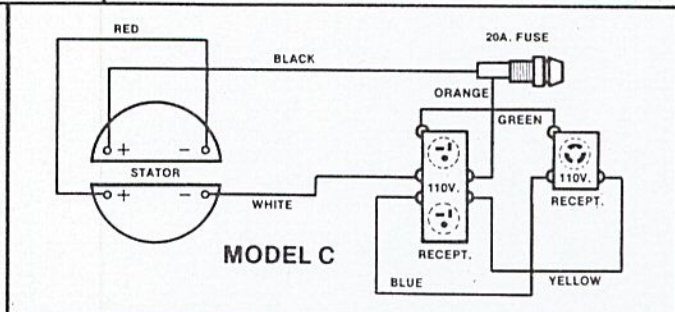
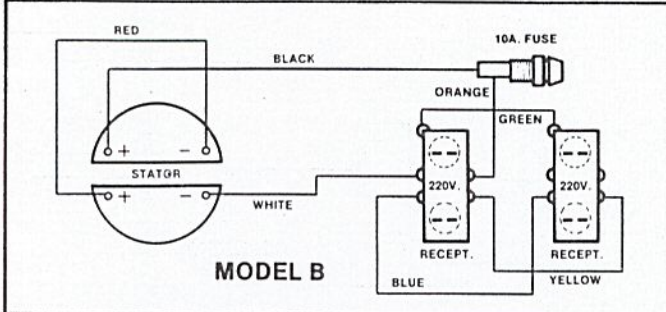
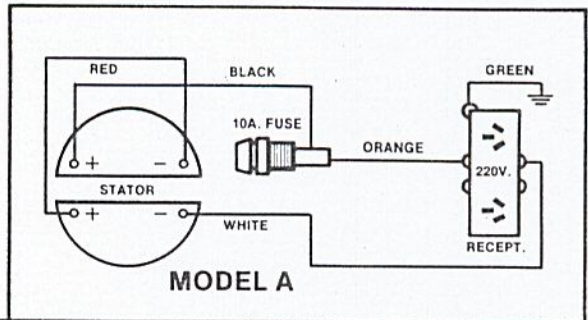
| ITEM DESCRIPTION | PART NO. | TYPE | TYPE | TYPE | TYPE | TYPE |
|---|----------|------------------|------------------|------------------|------------------|------------------|
| | | 12400465A UPA | 12400465B UPA | 12400465C UPA | 12400465D UPA | 12400465E UPA |
| 1 Engine, Assy. | 21729 | 1 | 1 | 1 | 1 | 1 |
| 2 Rail, Engine | 21601 | 2 | 2 | 2 | 2 | 2 |
| 3 Cover, Back | 21602 | 1 | 1 | 1 | 1 | 1 |
| 4 Plate, Stator Support | 21603 | 1 | 1 | 1 | 1 | 1 |
| 5 Post, Stator | 21604 | 4 | 4 | 4 | 4 | 4 |
| 6 Rotor Assy. | 21731 | 1 | 1 | 1 | 1 | 1 |
| 7 Stator Assy. Half | 21662 | 2 | 2 | nr | nr | 2 |
| Stator Assy. Half | 21663 | nr | nr | 2 | 2 | nr |
| 8 Screw, Adjusting | 21608 | 4 | 4 | 4 | 4 | 4 |
| 9 Wiring Cable Assy. | 21609 | 1 | nr | nr | nr | nr |
| Wiring Cable Assy. | 21610 | nr | 1 | 1 | 1 | 1 |
| 10 Wire Assy., Jumper | 21611 | 1 | 1 | 1 | 1 | 1 |
| 11 Cover, Front | 21612 | 1 | 1 | 1 | 1 | 1 |
| 12 Cradle | 21613 | 1 | 1 | 1 | 1 | 1 |
| 13 Mount, Rubber | 21190 | 4 | 4 | 4 | 4 | 4 |
| 14 Receptacle Box/Bracket Assy. | 21717 | 1 | 1 | 1 | 1 | 1 |
| *15 Wire Harness Set | 21617 | 1 | nr | nr | nr | nr |
| Wire Harness Set | 21618 | nr | 1 | nr | nr | nr |
| Wire Harness Set | 21619 | nr | nr | 1 | nr | nr |
| Wire Harness Set | 21620 | nr | nr | nr | 1 | nr |
| Wire Harness Set | 21621 | nr | nr | nr | nr | 1 |
| 16 Receptacle, 115V, 20A, Std. | 21622 | nr | nr | 1 | nr | nr |
| Receptacle, 115V, 20A, Twist | 21623 | nr | nr | 1 | nr | nr |
| Receptacle, 115V, 15A, Std. | 21150 | nr | nr | nr | 1 | nr |
| Receptacle 115V, 15A, Twist | 21625 | nr | nr | nr | 1 | nr |
| Receptacle, 230V, Aust. | 21626 | 1 | nr | nr | nr | nr |
| Receptacle, 230V, Gardy | 21627 | nr | nr | nr | nr | 1 |
| Receptacle, 230V, Std. | 21392 | nr | 2 | nr | nr | 1 |
| 17 Holder, Fuse | 21270 | 1 | 1 | 1 | 1 | 1 |
| 18 Holder, Spare Fuse | 21290 | 1 | 1 | 1 | 1 | 1 |
| 19 Fuse | 21281 | 3 | 3 | 3 | 3 | 3 |
| 20 Cover, Receptacle 15A | 21632 | nr | 1 | nr | 1 | nr |
| Cover, Receptacle 20A | 21633 | nr | nr | 1 | nr | nr |
| Cover, Receptacle, Aust. | 21634 | 1 | nr | nr | nr | nr |
| Cover, Receptacle, Eur. | 21635 | nr | nr | nr | nr | 1 |
| 21 Tube, Oil Fill & Dip Stick Assy. | 21636 | 1 | 1 | 1 | 1 | 1 |
| 22 Clamp, Oil Fill Tube | 21637 | 1 | 1 | 1 | 1 | 1 |
| 23 Tag, Ground | 21638 | 1 | 1 | 1 | 1 | 1 |
| 24 Tag, Fuse | 21639 | nr | nr | 1 | nr | nr |
| 25 Tag, Serial Number | 21741 | 1 | 1 | nr | 1 | 1 |
| Tag, Serial Number | 21742 | nr | nr | 1 | nr | nr |
| 26 Grommet, Rubber | 21642 | 2 | 2 | 2 | 2 | 2 |
| 27 Keeper, Wire | 21643 | 4 | 4 | 4 | 4 | 4 |
| 28 Capscrew, Hex Hd, 5/16-18x1-1/2 | 21050 | 12 | 12 | 12 | 12 | 12 |
| 29 Capscrew, Hex Hd, 5/16-24x3/4 | 21645 | 4 | 4 | 4 | 4 | 4 |
| 30 Capscrew, Hex Hd, 5/16-24x2-1/4 | 21743 | 1 | 1 | 1 | 1 | 1 |
| 31 Capscrew, Hex Hd, 5/16-18x1 | 21647 | 1 | 1 | 1 | 1 | 1 |
| 32 Capscrew, Hex Hd, 1/4-20x1 | 21649 | 4 | 4 | 4 | 4 | 4 |
| 33 Screw, Pan Hd, #8 Type AB Sheet Metal | 21650 | 5 | 5 | 5 | 5 | 5 |
| 34 Capscrew, Hex Soc. Hd, Nylok, 1/4-20x1-1/4 | 21651 | 4 | 4 | 4 | 4 | 4 |
| 35 Screw, Drive, #2x3/16 | 21652 | nr | nr | 6 | nr | nr |
| 36 Nut, Keps, 5/16-18 | 21080 | 13 | 13 | 13 | 13 | 13 |
| 37 Nut, Wing, 5/16-18 | 21654 | 1 | 1 | 1 | 1 | 1 |
| 38 Washer, Flat, 5/16x1/4 thick | 21655 | 1 | 1 | 1 | 1 | 1 |
| 39 Washer, Flat, 1/4x1/8 thick | 21656 | 4 | 4 | 4 | 4 | 4 |
| 40 Washer, Lock Star, 5/16 | 21725 | 6 | 6 | 6 | 6 | 6 |
| 41 Washer, Lock, 1/4 | 21030 | 4 | 4 | 4 | 4 | 4 |
| 42 Illustrated Parts List | 21734 | 1 | 1 | 1 | 1 | 1 |
| 43 Speed Nut | 21726 | 4 | 4 | 4 | 4 | 4 |
| 44 McCulloch Decal | 21727 | 1 | 1 | 1 | 1 | 1 |

*Set includes all hook up wires to the receptacle; does not include the receptacles.

INTRODUCTION:

The McCulloch Portable Generator is one of the world's first successful entries in the field of permanent magnet alternators. McCulloch's unique axial air gap design has enabled us to produce one of the lightest, most compact, trouble free alternators in the industry. It is powered by a 4-cycle air cooled gasoline engine, producing 60 cycle A.C. current, at 3600 r.p.m. or 50 cycle A.C. current at 3000 r.p.m.

WIRING SCHEMATICS:



| PERFORMANCE SPECIFICATIONS | | | | |
|----------------------------|-------|------|-------------|--|
| TYPE | VOLTS | AMPS | HERTZ/CYCLE | |
| 12-400465 — A,E | 220 | 7.7 | 50 | |
| 12-400465 — C,D | 110 | 18.2 | 60 | |
| 12-400465 — B | 220 | 9.1 | 60 | |

OPERATING INSTRUCTIONS:

1. Before starting engine read the enclosed Briggs & Stratton instruction booklet for proper oil and maintenance.
2. After the proper oil and gasoline has been installed, start engine and allow a few minutes warm up time before applying desired load. (**Never start unit under load.**)
3. Apply desired load, making sure that load **does not** exceed the rated capacity of your model alternator.
4. **Always** check oil with each tank of gasoline, to insure long dependable service.

| | |
|-----------------|--|
| CAUTION: | Be sure to change and check oil as recommended by Briggs & Stratton. Dirty oil will wear engine bearings, resulting in damage to the engine as well as the alternator. |
|-----------------|--|

ACCESSORIES:

Accessories for the H-2000 Generator include liquid petroleum gas (LPG) conversion kit, and "Lo-Tone" muffler, all of which are available through your McCulloch Dealer.

MAINTENANCE:

Because there are no slip rings or brushes, there is no specific maintenance required for the generator itself. During routine engine maintenance, check to be sure all nuts, bolts, and other fasteners are secure, all wires are in good condition and not frayed or worn, and the entire unit is clean and free from oil, dust, and debris.