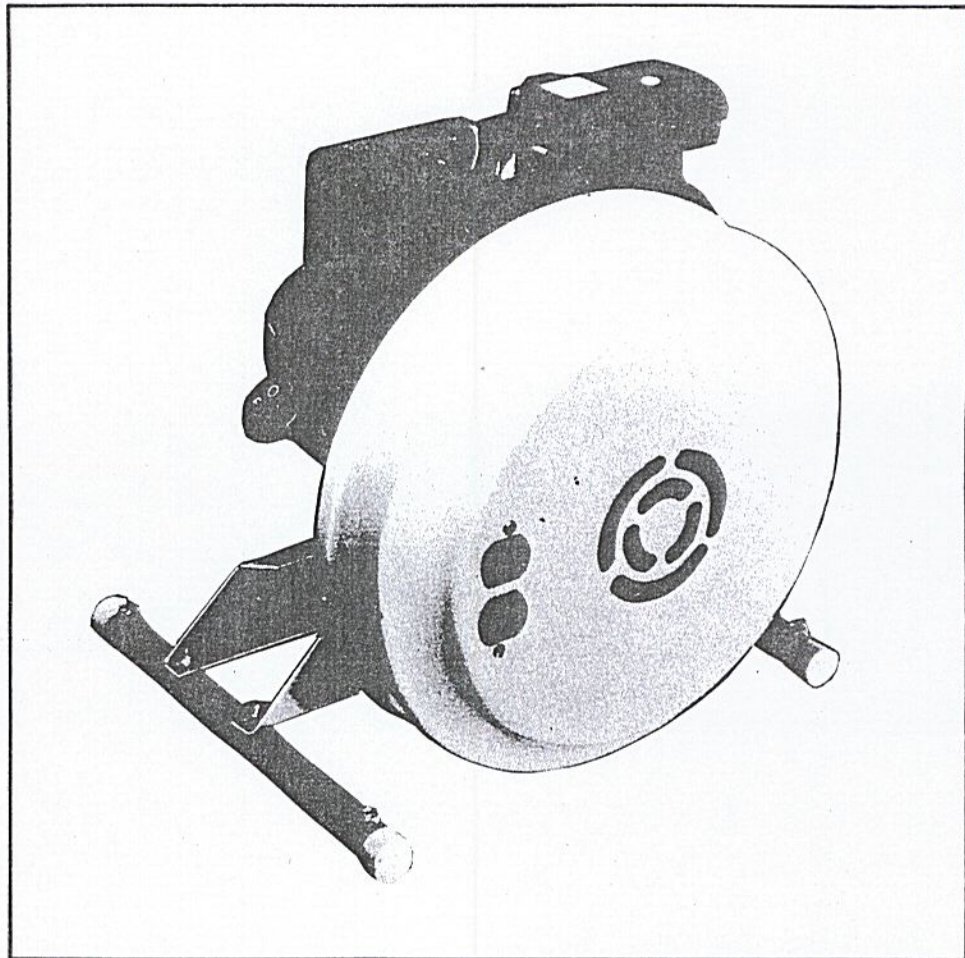


McCULLOCH PORTABLE GENERATOR

MODEL H-1500
TYPE 12-400464A,B,C,D,E



The McCulloch H-1500 Portable Generator is a light-weight, high power unit that is versatile and flexible. It is available as a 110 Vac and a 220 Vac unit. Output voltage frequencies of either 50 Hz (International Standard) or 60 Hz (American Standard) are available, and can be adjusted by your authorized McCulloch Servicing Dealer, or McCulloch Master Service Center. Power output up to 1275 W continuous (1500 W intermittent) is available, depending on the application for which the generator is adjusted.

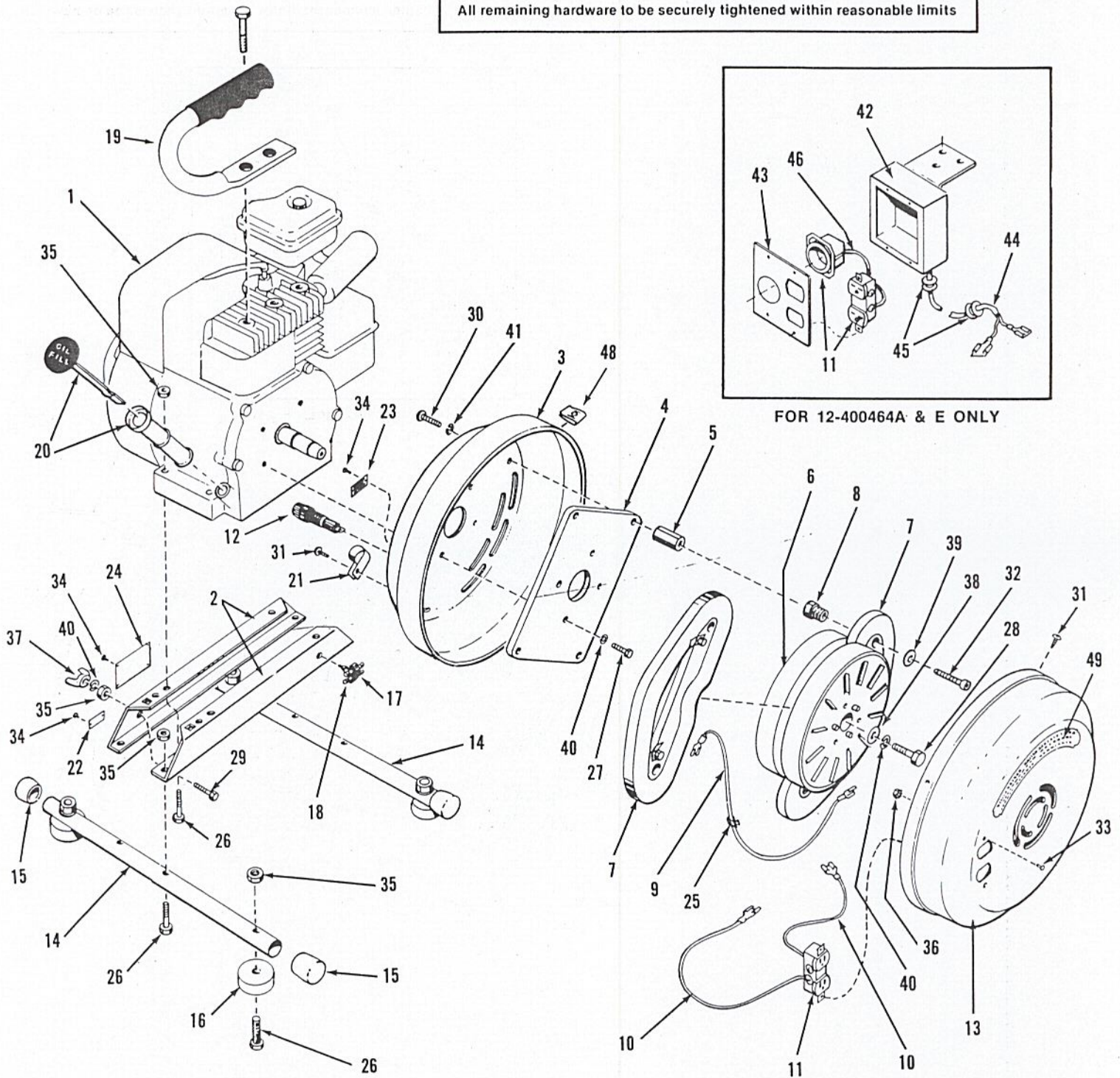


McCULLOCH CORP.
6101 WEST CENTURY BOULEVARD
LOS ANGELES, CALIFORNIA 90045

IMPORTANT TORQUE VALUES

ITEM NO.	DESCRIPTION	TORQUE VALUE in./lbs.
27	Retaining Bolts Engine to Back Cover	120-144
28	Rotor Retaining Bolt	240-264
30	Stator Post Retaining Bolt	120-140
32	Stator Retaining Screw	55-60

All remaining hardware to be securely tightened within reasonable limits



FOR 12-400464A & E ONLY

**WHEN ORDERING PARTS, PLEASE SPECIFY
GENERATOR MODEL AND TYPE NO.**

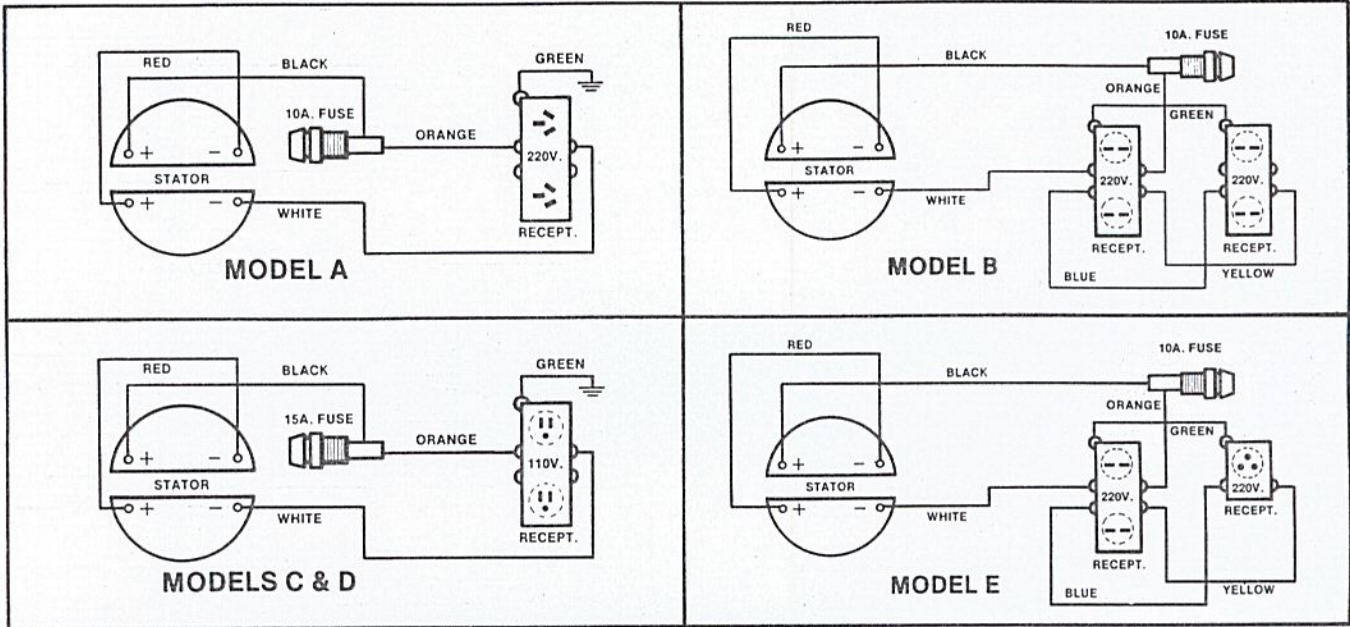
ITEM DESCRIPTION	PART NO.	TYPE	TYPE	TYPE	TYPE	TYPE
		12400464A UPA	12400464B UPA	12400464C UPA	12400464D UPA	12400464E UPA
1 Engine Assy.	21728	1	1	1	1	1
2 Rail, Engine	21601	2	2	2	2	2
3 Cover, Back	21602	1	1	1	1	1
4 Plate, Stator Support	21603	1	1	1	1	1
5 Post, Stator	21604	4	4	4	4	4
6 Rotor Assy.	21731	1	1	1	1	1
7 Stator Assy. Half	21662	2	2	nr	nr	2
Stator Assy. Half	21663	nr	nr	2	2	nr
8 Screw, Adjusting	21608	4	4	4	4	4
9 Wire Assy., Jumper	21611	1	1	1	1	1
*10 Wire Harness Set	21664	1	1	1	1	1
11 Receptacle, 115V, 15A Std.	21150	nr	nr	1	1	nr
Receptacle, 230V, Aust.	21626	1	nr	nr	nr	nr
Receptacle, 230V, Gardy	21627	nr	nr	nr	nr	1
Receptacle, 230V, Std.	21392	nr	2	nr	nr	1
12 Holder, Fuse	21270	1	1	1	1	1
13 Cover, Front	21612	1	nr	nr	nr	1
Cover, Front	21666	nr	1	1	1	nr
14 Base Support	21668	2	2	2	2	2
15 Cap, End	21669	4	4	4	4	4
16 Mount, Rubber	21190	4	4	4	4	4
17 Holder, Spare Fuse	21290	1	1	1	1	1
18 Fuse	21280	3	3	3	3	3
19 Handle	21671	1	1	1	1	1
20 Tube, Oil Fill & Dip Stick Assy.	21636	1	1	1	1	1
21 Clamp, Oil Fill Tube	21637	1	1	1	1	1
22 Tag, Ground	21638	1	1	1	1	1
23 Tag, Fuse	21639	nr	nr	1	nr	nr
24 Tag, Serial Number	21736	1	1	nr	1	1
Tag, Serial Number	21737	nr	nr	1	nr	nr
25 Keeper, Wire	21643	4	4	4	4	4
26 Capscrew, Hex Hd, 5/16-18x1-1/2	21050	12	12	12	12	12
27 Capscrew, Hex Hd, 5/16-24x3/4	21645	4	4	4	4	4
28 Capscrew, Hex Hd, 5/16-24x2-1/4	21743	1	1	1	1	1
29 Capscrew, Hex Hd, 5/16-18x1	21647	1	1	1	1	1
30 Capscrew, Hex Hd, 1/4-20x1	21649	4	4	4	4	4
31 Screw, Pan #8 Type AB Sheet Metal, Phillips	21650	5	5	5	5	5
32 Capscrew, Hex Soc. Hd, Nylok, 1/4-20x1-1/4	21651	4	4	4	4	4
33 Screw, #8-32x3/8 Pan Hd, Phillips	21674	nr	2	2	2	nr
34 Screw, Drive #2x3/16	21652	nr	nr	8	nr	nr
35 Nut, Keps, 5/16-18	21080	13	13	13	13	13
36 Nut, Hex, #8-32 Keps	21675	nr	2	2	2	nr
37 Nut, Wing, 5/16-18	21654	1	1	1	1	1
38 Washer, Flat, 5/16x1/4 thick	21655	1	1	1	1	1
39 Washer, Flat, 1/4x1/8 thick	21656	4	4	4	4	4
40 Washer, Lock Star 5/16	21725	6	6	6	6	6
41 Washer, Lock 1/4	21030	4	4	4	4	4
42 Receptacle Box/Bracket Assy.	21735	1	nr	nr	nr	1
43 Cover, Receptacle, Aust.	21738	1	nr	nr	nr	nr
Cover, Receptacle, Eur.	21635	nr	nr	nr	nr	1
44 Wiring Cable Assy.	21609	1	nr	nr	nr	nr
Wiring Cable Assy.	21610	nr	nr	nr	nr	1
45 Grommet, Rubber	21642	2	nr	nr	nr	2
*46 Wire Harness Set	21739	1	nr	nr	nr	nr
Wire Harness Set	21621	nr	nr	nr	nr	1
47 Illustrated Parts List	21733	1	1	1	1	1
48 Speed Nut	21726	4	4	4	4	4
49 McCulloch Decal	21727	1	1	1	1	1

*Set includes all hook up wires to the receptacle; does not include the receptacles.

INTRODUCTION:

The McCulloch Portable Generator is one of the world's first successful entries in the field of permanent magnet alternators. McCulloch's unique axial air gap design has enabled us to produce one of the lightest, most compact, trouble free alternators in the industry. It is powered by a 4-cycle air cooled gasoline engine, producing 60 cycle A.C. current, at 3600 r.p.m. or 50 cycle A.C. current at 3000 r.p.m.

WIRING SCHEMATICS:



PERFORMANCE SPECIFICATIONS			
TYPE	VOLTS	AMPS	HERTZ/CYCLE
12-400464 — A,E	220	*5.6	50
12-400464 — C,D	110	13.6	60
12-400464 — B	220	6.8	60

*50 cycle models derated by 25 percent

OPERATING INSTRUCTIONS:

1. Before starting engine read the enclosed Briggs & Stratton instruction booklet for proper oil and maintenance.
2. After the proper oil and gasoline has been installed, start engine and allow a few minutes warm up time before applying desired load. (Never start unit under load.)
3. Apply desired load, making sure that load **does not** exceed the rated capacity of your model alternator.
4. Always check oil with each tank of gasoline, to insure long dependable service.

CAUTION:

Be sure to change and check oil as recommended by Briggs & Stratton. Dirty oil will wear engine bearings, resulting in damage to the engine as well as the alternator.

ACCESSORIES:

Accessories for the H-1500 Generator include liquid petroleum gas (LPG) conversion kit, and "Lo-Tone" muffler, all of which are available through your McCulloch Dealer.

MAINTENANCE:

Because there are no slip rings or brushes, there is no specific maintenance required for the generator itself. During routine engine maintenance, check to be sure all nuts, bolts, and other fasteners are secure, all wires are in good condition and not frayed or worn, and the entire unit is clean and free from oil, dust, and debris.