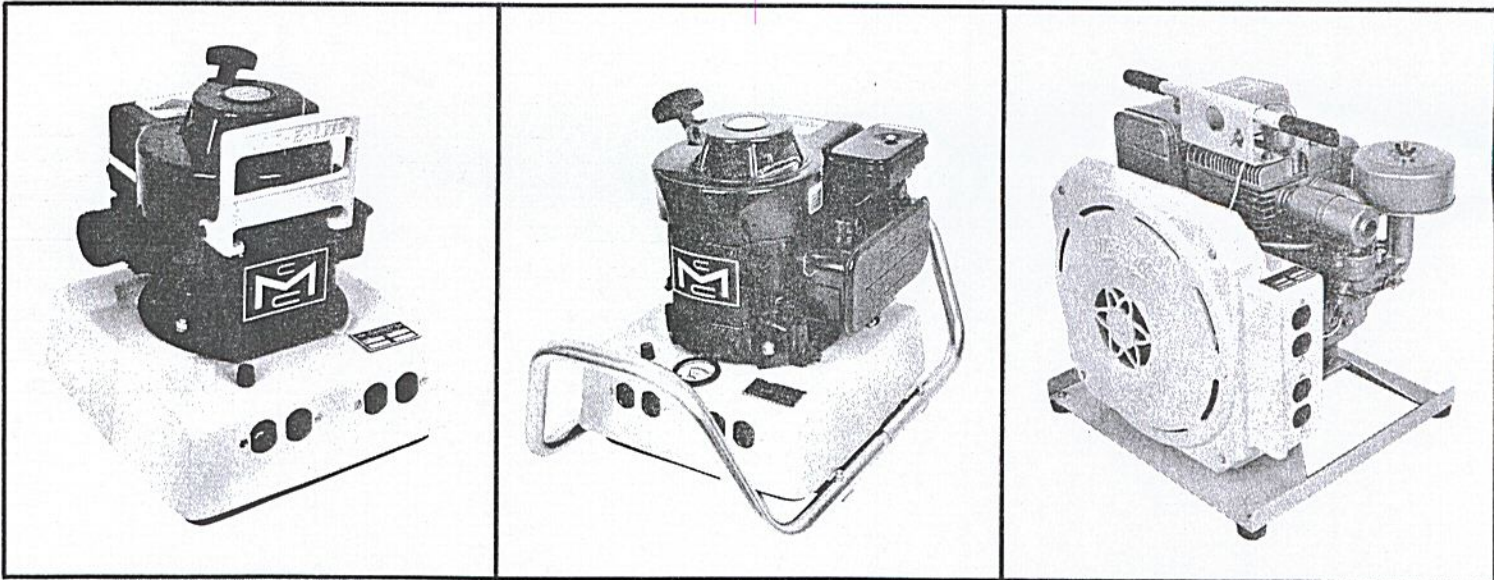


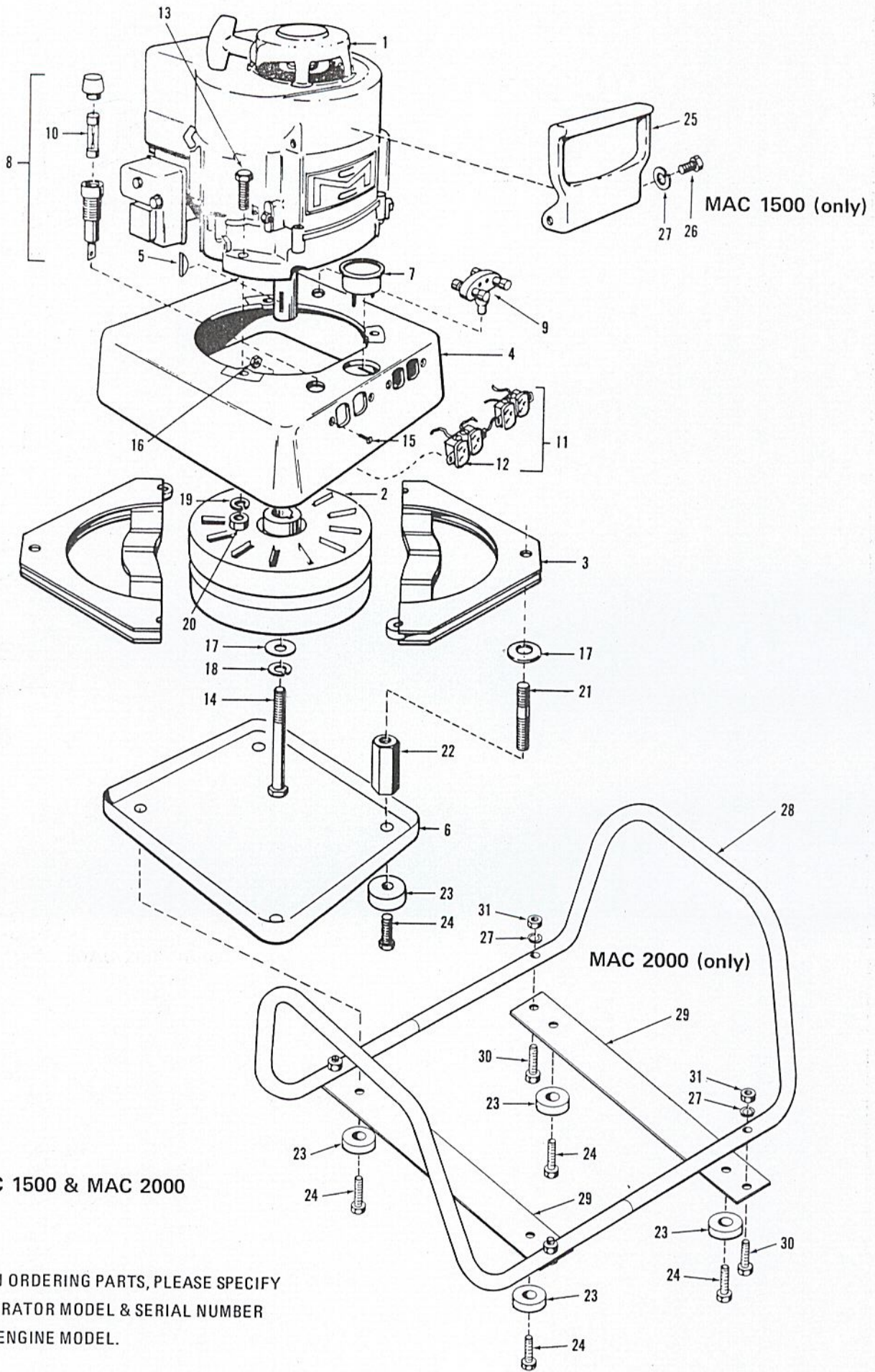


**MCCULLOCH MITE-E-LITE
PORTABLE
GENERATORS
MAC 1500, 2000 & 3000**

**ILLUSTRATED
PARTS LIST**



MCCULLOCH CORP.
6101 WEST CENTURY BOULEVARD
LOS ANGELES, CALIFORNIA 90045



MAC 1500 & MAC 2000

WHEN ORDERING PARTS, PLEASE SPECIFY
 GENERATOR MODEL & SERIAL NUMBER
 AND ENGINE MODEL.

ITEM	DESCRIPTION	UNITS				ITEM	DESCRIPTION	UNITS			
		MODEL MAC 1500	MODEL MAC 2000	PER 1500	ASSY. 2000			MODEL MAC 1500	MODEL MAC 2000	PER 1500	ASSY. 2000
1	Engine	21040 (90902)	21041 (100902)	1	1	17	Flat washers, 3/8	21210	21210	5	5
2	Rotor Assembly	21106	21107	1	1	18	Lockwasher, 3/8 med.	21130	21130	1	1
3	Stator Assembly	21116* 21110	21116* 21110	1	1	19	Lockwasher, 5/16 med.	21070	21070	3	3
4	Base Casting	21098	21091	1	1	20	Nuts, 5/16-18	21080	21080	3	3
5	No.6 Woodruff Key	21414	21414	1	1	21	Studs, 5/16-18	21340	21340	4	4
6	Base Cover	21181	21181	1	1	22	Spacers, 5/8	21350	21350	4	4
7	Voltmeter	NR	21301	0	1	23	Rubber Mounts	21190	21190	4	4
8	Fuse Holder	21270	21270	1	1	24	Capscrews 5/16-18x1	21057	21057	4	4
9	Holder, spare fuses	21290	21290	1	1	25	Carrying handle	21010	NR	1	0
10	Fuses	21280 (12 amp)	21281 (20 amp)	3	3	26	Capscrews, 1/4-20x3/4	21020	NR	2	0
11	Wiring Harness	21334* 21338	21336* 21331	1	1	27	Lockwashers, 1/4 med.	21030	21030	2	4
12	Receptacles	21150	21150	2	2	28	Carrying cradle	NR	21015	0	1
13	Capscrews 5/16-18x1 1/2	21050	21050	3	3	29	Cradle straps	NR	21415	0	2
14	Capscrew 3/8-24x3 3/4	21140	21140	1	1	30	Capscrews, 1/4-20x1 1/2	NR	21416	0	4
15	Screws, pan head 10-24	21160	21160	4	4	31	Nuts, 1/4-20	NR	21203	0	4
16	Nuts, 10-24	21170	21170	4	4						

* SEE NOTE

1. All MAC 1500 and MAC 2000 Generators with a 2/ Serial Number Prefix use the 21110 Stator Assembly and the 21331 or 21338 Wiring Harness. All others have the 21116 Stator Assembly and the 21334 or 21336 Wiring Harness. See the Wiring Diagram variations.

McCULLOCH CORPORATION
McCULLOCH MITE-E-LITE, INC.

Generator Warranty

McCulloch Mite-E-Lite, Inc. (McCulloch) of Wellsville, New York, warrants to the original retail purchaser of a new McCulloch generator (product) that all the parts thereof (except engine and engine crankshaft) shall be free from defects in material and/or workmanship for a period of one (1) year from the date of sale to such purchaser.

If within the one (1)-year period of McCulloch's express warranty, purchaser notifies McCulloch of a claimed defect by delivering the claimed defective product to an authorized McCulloch distributor or dealer, McCulloch shall, at its option, either repair or replace with like or similar part or parts any part which, in McCulloch's judgement, is found to be defective.

THE FOREGOING WARRANTY IS EXCLUSIVE AND IN LIEU OF ALL OTHER WARRANTIES WHETHER EXPRESS OR IMPLIED, INCLUDING ANY IMPLIED WARRANTY OF MERCHANTABILITY OR FITNESS.

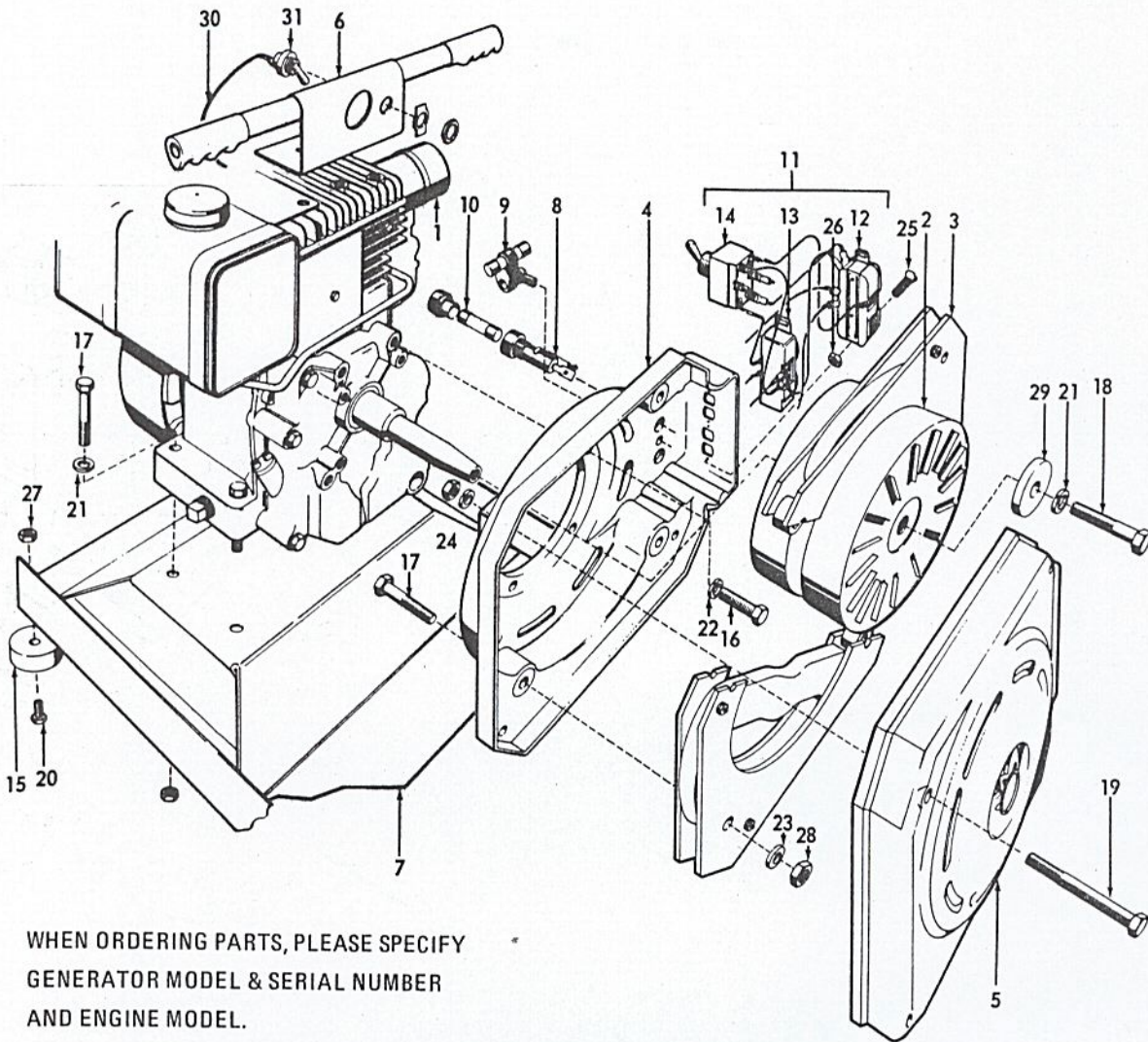
Purchaser shall be responsible for all transportation charges incidental to the repair or replacement of any defective part. The furnishing of a repair or replacement part or parts shall constitute the sole remedy of purchaser and the sole liability of McCulloch whether on warranty, contract or negligence and in no event will McCulloch be liable for money damages, whether direct or consequential.

EXCEPT AS SPECIFICALLY STATED ABOVE, THE McCULLOCH PRODUCT IS SOLD ON AN "AS IS" BASIS, THE ENTIRE RISK AS TO THE QUALITY AND PERFORMANCE OF THE PRODUCT IS WITH THE PURCHASER, AND SHOULD THE PRODUCT PROVE DEFECTIVE FOLLOWING THE ONE (1)-YEAR WARRANTY PERIOD, THE PURCHASER AND NOT McCULLOCH ASSUMES THE ENTIRE COST OF ALL NECESSARY SERVICING AND REPAIR.

Upon expiration of the initial one (1)-year express warranty time period or in the event the product, or any part thereof, is subject to misuse, negligence, alteration or accident, is repaired by any other than an authorized McCulloch distributor or dealer, or is operated or maintained contrary to McCulloch's printed instructions, all liability of McCulloch shall cease.

NOTE

This warranty does not cover the engine; all engine warranty and service must be taken to an authorized Briggs & Stratton dealer.

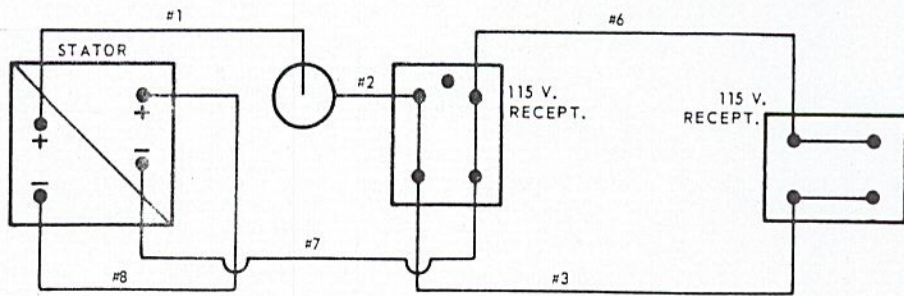


WHEN ORDERING PARTS, PLEASE SPECIFY
GENERATOR MODEL & SERIAL NUMBER
AND ENGINE MODEL.

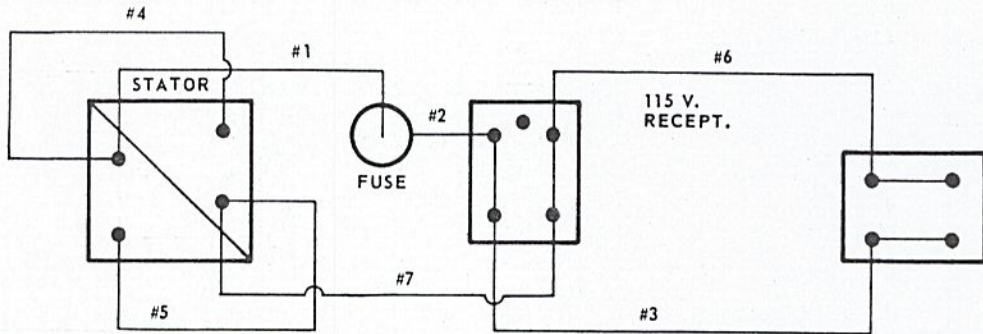
ITEM	DESCRIPTION	MODEL MAC 3000	UNITS PER ASSY.	ITEM	DESCRIPTION	MODEL MAC 3000	UNITS PER ASSY.
1	Engine (146432)	21043	1	17	Capscrews, 5/16-18x1½	21050	8
2	Rotor RB 3	21103	1	18	Capscrew, 5/16-24x1¾	21143	1
3	Stator RB 3	21113	1	19	Capscrews, ¼-20x2¾	21383	4
4	Back casting	21093	1	20	Capscrews, ¼-20x¾	21020	4
5	Cover casting	21094	1	21	Lockwashers, 5/16 med.	21070	5
6	Carrying handle	21013	1	22	Lockwashers, 3/8 med.	21130	4
7	Engine base	21183	1	23	Flat washers, 5/8	21210	4
8	Fuse holders	21270	2	24	Lockwashers, ¼-med.	21030	4
9	Holder, spare fuse	21290	1	25	Screws, pan head, 10-24	21160	4
10	Fuses (15 amp)	21280	4	26	Nuts, 10-24	21170	4
11	Wiring harness	21333	1	27	Nuts, ¼-20	21203	8
12	Receptacle (115-V)	21150	1	28	Nuts, 5/16-18	21080	4
13	Receptacle (230-V)	21392	1	29	Flat washer, 5/16	21413	1
14	DPDT Switch	21402	1	30	Kill Switch Wire	21403	1
15	Rubber mounts	21190	4	31	Kill Switch	21393	1
16	Capscrews, 3/8-16x1	21003	4				

ITEM

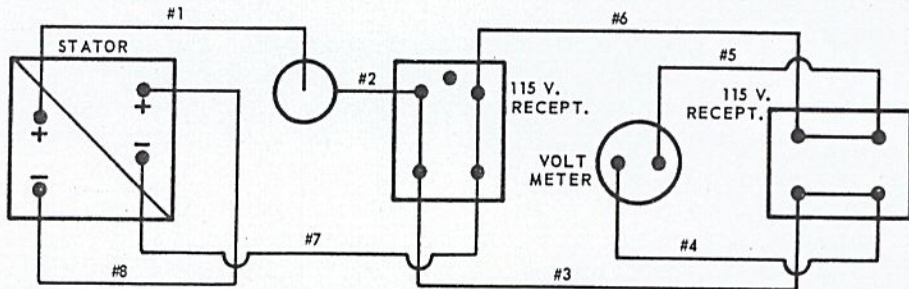
WIRING DIAGRAM - MAC 1500 with No. 21110 Stator 2/ Serial No. Prefix



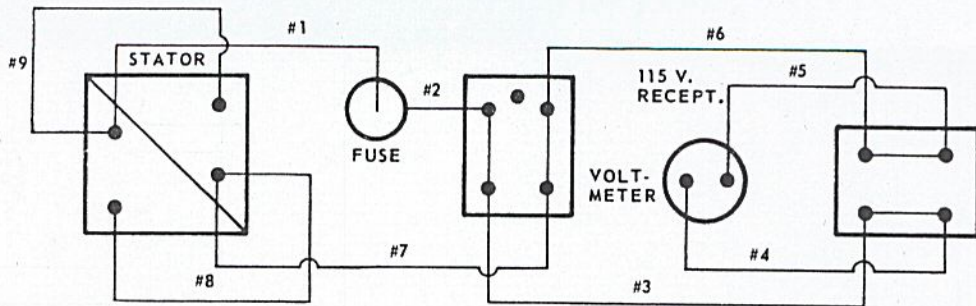
WIRING DIAGRAM - MAC 1500 with No. 21116 Stator.



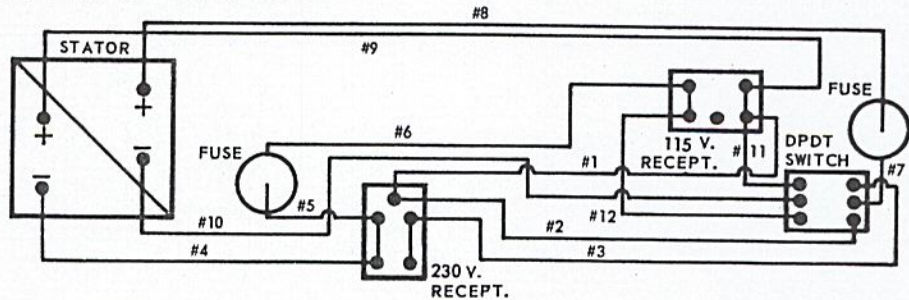
WIRING DIAGRAM - MAC 2000 with No. 21110 Stator 2/ Serial No. Prefix



WIRING DIAGRAM - MAC 2000 with No. 21116 Stator.



WIRING DIAGRAM - MAC 3000.



INTRODUCTION

The Mite-E-Lite portable generator is one of the world's first successful entries in the field of permanent magnet alternators. Mite-E-Lite's unique axial air gap design has enabled us to produce one of the lightest, most compact, trouble free alternators in the industry. It is powered by a 4-cycle air cooled gasoline engine, producing 60 cycle A.C. current, at 3600 r.p.m.

SPECIFICATIONS

Model	Watts	Voltage	Amps	Amps (Dead Short)	Cycle	Weight	Size
MAC 1500	1500	115	13.5	54	60	61 lbs.	12"x12"x15½"
MAC 2000	2000	115	15.3	54	60	71 lbs	15"x14"x17½"
MAC 3000	3000	115 & 230	26.5 13.3	99.4	60	129 lbs	18½"x17"x19"

OPERATING INSTRUCTIONS

1. Before starting engine read the enclosed Briggs and Stratton instruction booklet for proper oil and maintenance.
2. After the proper oil and gasoline has been installed, start engine and allow a few minutes warm up time before applying desired load. (Never start unit under load.)
3. Place engine throttle in fast position to obtain full A.C. 60 cycle current. A slower speed may be used in operating light bulbs, but should never be used in operating equipment.
4. Apply desired load, making sure that load does not exceed the rated capacity of your model alternator.
5. Always check oil with each tank of gasoline, to insure long dependable service.
6. MAC 3000 only. When using 115 voltage the switch must be in the 115 position as marked. With this switch position, the 230 volt receptacle is dead. The maximum wattage available at 115 volts is 3000 watts. With the switch in the 230 volt position as marked both the 115 and the 230 receptacles are alive. In this position the 115 volt load must not exceed 1500 watts, and the total 115 and 230 volts must not exceed 3000 watts.

CAUTION

1. Never operate alternator in loose sand or fine gravel, as foreign matter may be drawn into alternator causing extreme and expensive damage.
2. Be sure to change and check oil as recommended by Briggs & Stratton. Dirty oil will wear engine bearings, resulting in damage to the engine as well as the alternator.
3. MAC 3000 only. Do not change switch position while alternator is under load.

MAINTENANCE

Our alternator has no brushes or slip rings, therefore, there is virtually no maintenance on the alternator portion of this machine. However, the engine bearings support the alternator making proper engine maintenance important to deliver many hours of trouble free service.