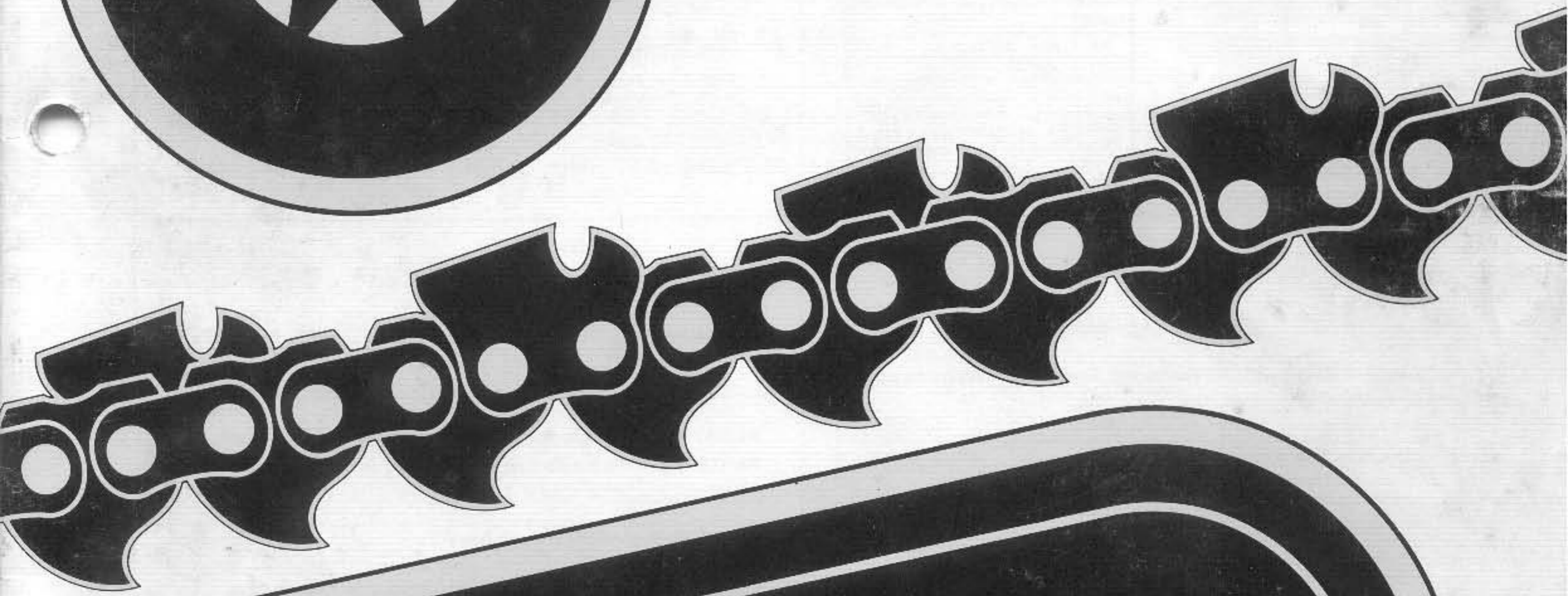
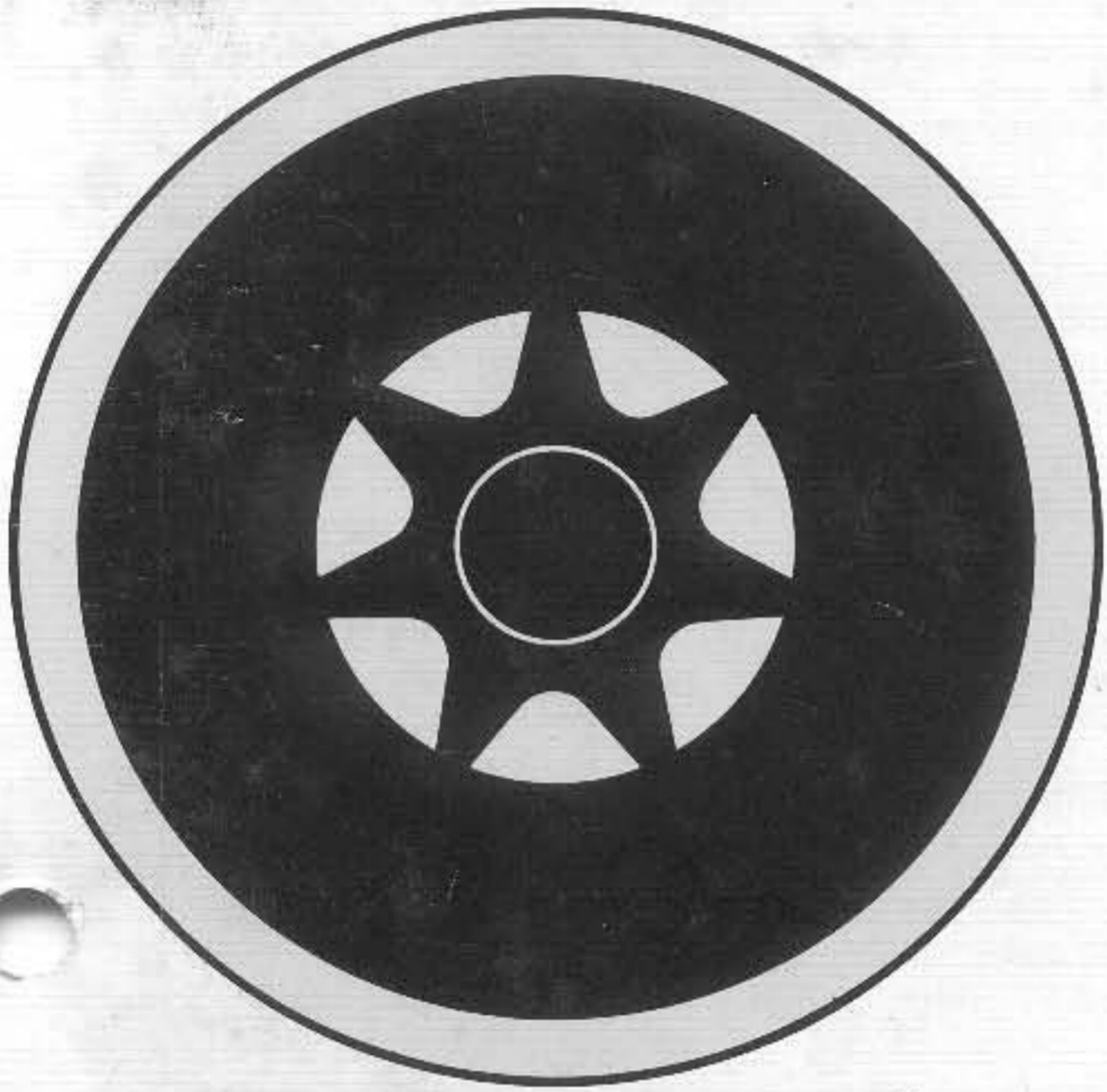




**McCULLOCH
CHAINS, BARS &
ACCESSORIES
CATALOG**



General Information

McCULLOCH CHAIN

McCulloch offers four basic types of chain, which can be identified by their cutter-tooth configurations.

The physical differences between the four types of chain are most easily recognized by comparing cutter teeth. The cross-section silhouettes of the respective cutter teeth clearly show the important characteristics of each chain type.

Mini Mac (MM) Pro Mac (PM) Speed Mac (SM) Super Pro (SP) Mini Pro (MP)



Super Pro chain is available in "Standard", "Semi-Skip", and "Skip-tooth" assemblies. All other chain types are available in "Standard" assemblies only.

TYPE — Cutter Teeth carry chain TYPE identification stamped on the side: "PRO" (Pro Mac), "SPEED" (Speed Mac), "SUPER-PRO" (Super Pro), "MINI" (Mini Mac, Mini Pro).

PITCH & GAUGE — PITCH and GAUGE code is stamped on each Center Link tang. Exception: .250" pitch, which carries no code on Center Link tang.

(The 2-digit number which is stamped on the cutter-tooth Depth Gauge is the recommended Depth Gauge setting, given in thousandths of an inch, e.g., 25 = .025".)

Pro Mac PITCHES AVAILABLE	
GAUGE	ROUND-TYPE
.050	.250", .354"
.063	.404", .500"
.122	.750" (Pond & Deck)
	MODIFIED-ROUND-TYPE
.050	.375"

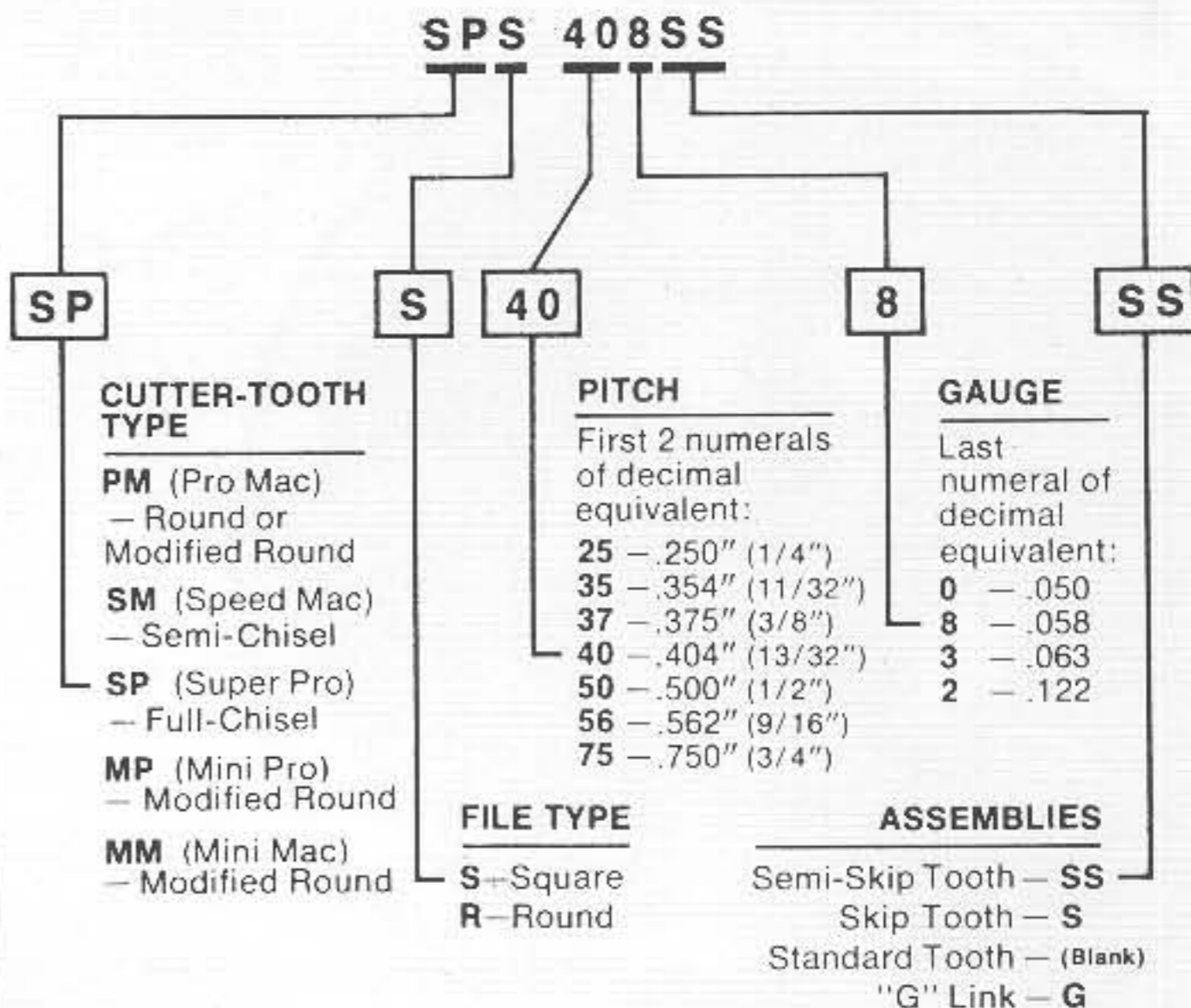
Speed Mac PITCHES AVAILABLE	
GAUGE	
.050	.250", .375"
.063	.404"

Mini Mac Mini Pro PITCHES AVAILABLE	
GAUGE	
.050	.375"

Super Pro PITCHES/ASSEMBLIES AVAILABLE			
	SQUARE-FILED CUTTERS (SPS)	ROUND-FILED CUTTERS (SPR)	
.050	.404" "STANDARD", "SEMI-SKIP", "SKIP"	.375" "STANDARD"	.404" "STANDARD", "SEMI-SKIP", "SKIP"
.063	.404" "STANDARD", "SEMI-SKIP", "SKIP"	.404" "STANDARD", "SEMI-SKIP", "SKIP"	

The McCulloch Chain Identification Scheme provides an easy and positive system for describing any McCulloch chain.

CHAIN IDENTIFICATION SCHEME



McCULLOCH BARS

McCulloch bars are offered in eight types, and a wide range of lengths and gauges.

For specific Bar/Saw applications, see Saw Model listings on pages 10 through 11.

Mini Pro sprocket-nose bars

.050 gauge, .250" and .375" pitch: 10", 12", 14" and 16". For Mac, Mini Mac, Power Mac, SP 40, and Pro Mac 510 saws.

standard bars

MINI MAC BARS — .050 gauge: 10", 12", 14". For Macs, Mini Macs, SP40 and Pro Mac 510.

MAC 6 BARS — .050 gauge: 12", 14", 16". For Power Mac, Mini Mac, SP40, Pro Mac 510 and Mac Saws.

MAC 10 BARS — .050 gauge: 16-28". For Mac-10 Series, Pro Mac, Super Pro 60 & 81 Saws.

PRO MAC BARS — .063 gauge: 14"-31" for direct drives, 16"-32" for gear drives.

MAC BARS — .063 gauge: 18"-42" for direct drives, 20"-44" for gear drives.



ALWAYS BE SURE to use the proper gauge Bar and Chain.
PARTS and KITS for McCulloch Bars are listed on Page 14.

Speed Mac sprocket-nose bars

.050 gauge, .375" pitch; 24-33".
.063 gauge, .404" pitch; 24-38".
Pro Mac & Mac 10 Series direct drives.

SPROCKET TIP — .050 gauge .375 pitch; 16 and 20". For Pro Mac & Mac 10 series direct drive.



TYPICAL BAR NOMENCLATURE

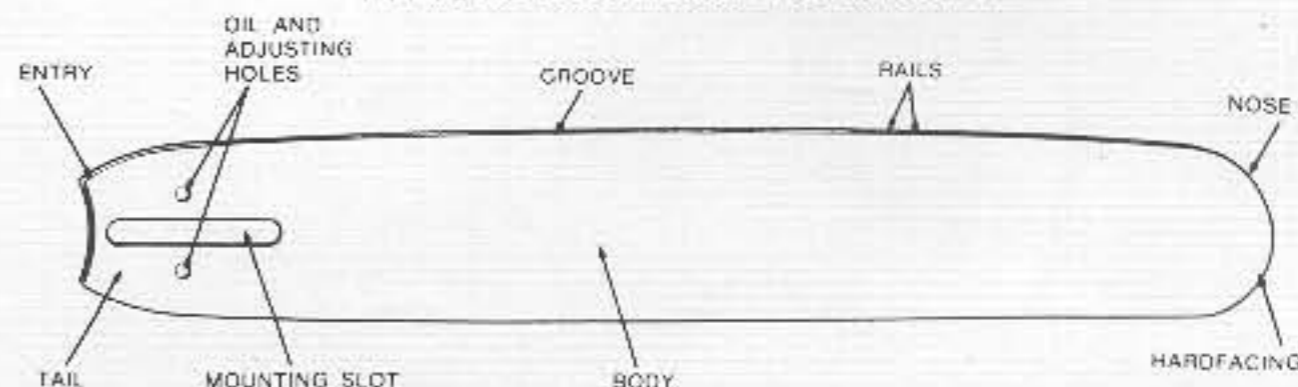


TABLE OF CONTENTS

	<u>Page</u>
GENERAL INFORMATION	2
McCULLOCH SPROCKETS	4
SPROCKET ALIGNMENT SHIMS	5
BARS AND CHAINS FOR McCULLOCH CHAIN SAWS:	
DIRECT DRIVES: Mac 110; Mac 120; Mac 130; Mac 140; Power Mac 6; Pro Mac 510; Mini Mac 25; Mini Mac 30; Mini Mac 35; Mini Mac 35 AS; Super Pro 40; Mini Mac 1A; Mini Mac 1; Mini Mac 6A; Mini Mac 6; Mini Mac Electric	6
DIRECT DRIVES: Pro Mac 10-10; Pro Mac 555; Pro Mac 570; Pro Mac 700; Pro Mac 850; Super Pro 81; Super Pro 60; Pro Mac 55; 7-10A; Mac 10-10A; Mac 10-10; Pro 10-10A; Mac 1-10	6
DIRECT DRIVES: Super Pro 125C; Super 250; Pro Mac 105; Super Pro 125; Super Pro 105; Mac 15; Super 797; CP 125; Super 44; Super 44A; D-30; D-36; D-44; I-40; I-41; I-42; I-43; I-45; I-46; I-50; I-51; I-52; I-53; I-70; I-71; I-75; I-76; 200; 250; 250P; 300; 380; 440; 450; 550; Super 550; 740; 790; 795; 795L; 797	7
GEAR DRIVES — SMALL: 33; 33A; 33B; Super 33; 35; Mac 35A; 39	9
GEAR DRIVES — LARGE: G-70; 660; 895; 895C; 55; Super 55; Super 55A; Mac 2-10G; Mac 5-10G; Mac 5-10GA; LG-6; Super LG-6; 640; 650; 840; 890; I-60; I-61; I-62; I-63; I-80; I-80HD; I-81; I-82; I-85; I-86	10
REEL LENGTH CHAINS	12
CHAIN REPAIR PARTS	13
BAR MOUNTING AND REPAIR PARTS	13
CHAIN MAINTENANCE TOOLS AND ACCESSORIES	14
ACCESSORIES AND PERSONNEL SAFETY EQUIPMENT	15
NUMERICAL ORDER PARTS NUMBER LIST	17, 18, 19, 20

INDEX

GENERAL INFORMATION
McCULLOCH SPROCKETS
SPROCKET ALIGNMENT SHIMS
BARS AND CHAINS
PLUNGE BOWS AND CHAINS
PADDLE BOWS AND CHAINS
REEL LENGTH CHAINS
CHAIN REPAIR PARTS
BAR MOUNTING AND REPAIR PARTS
CHAIN MAINTENANCE TOOLS AND ACCESSORIES
ACCESSORIES AND PERSONNEL SAFETY EQUIPMENT
NUMERICAL ORDER PARTS NUMBER LIST

SUPER PRO SQUARE (SPS) CHAIN

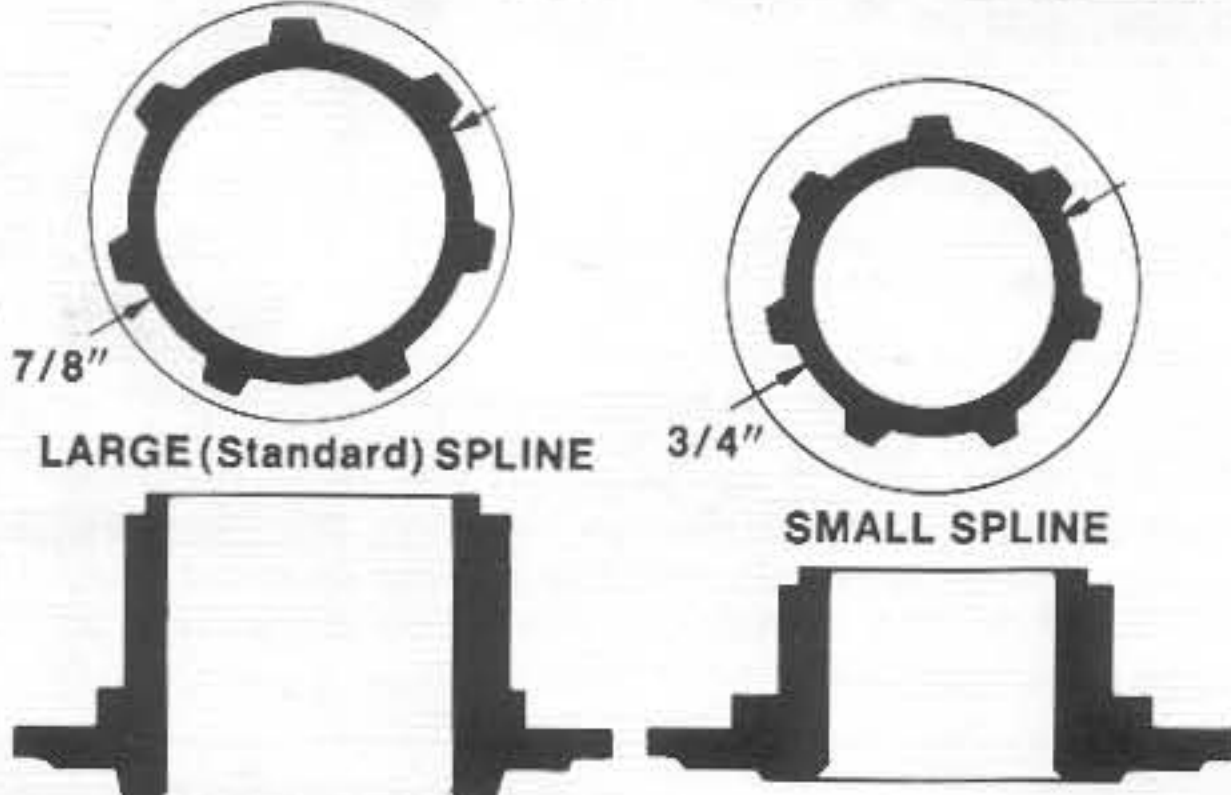
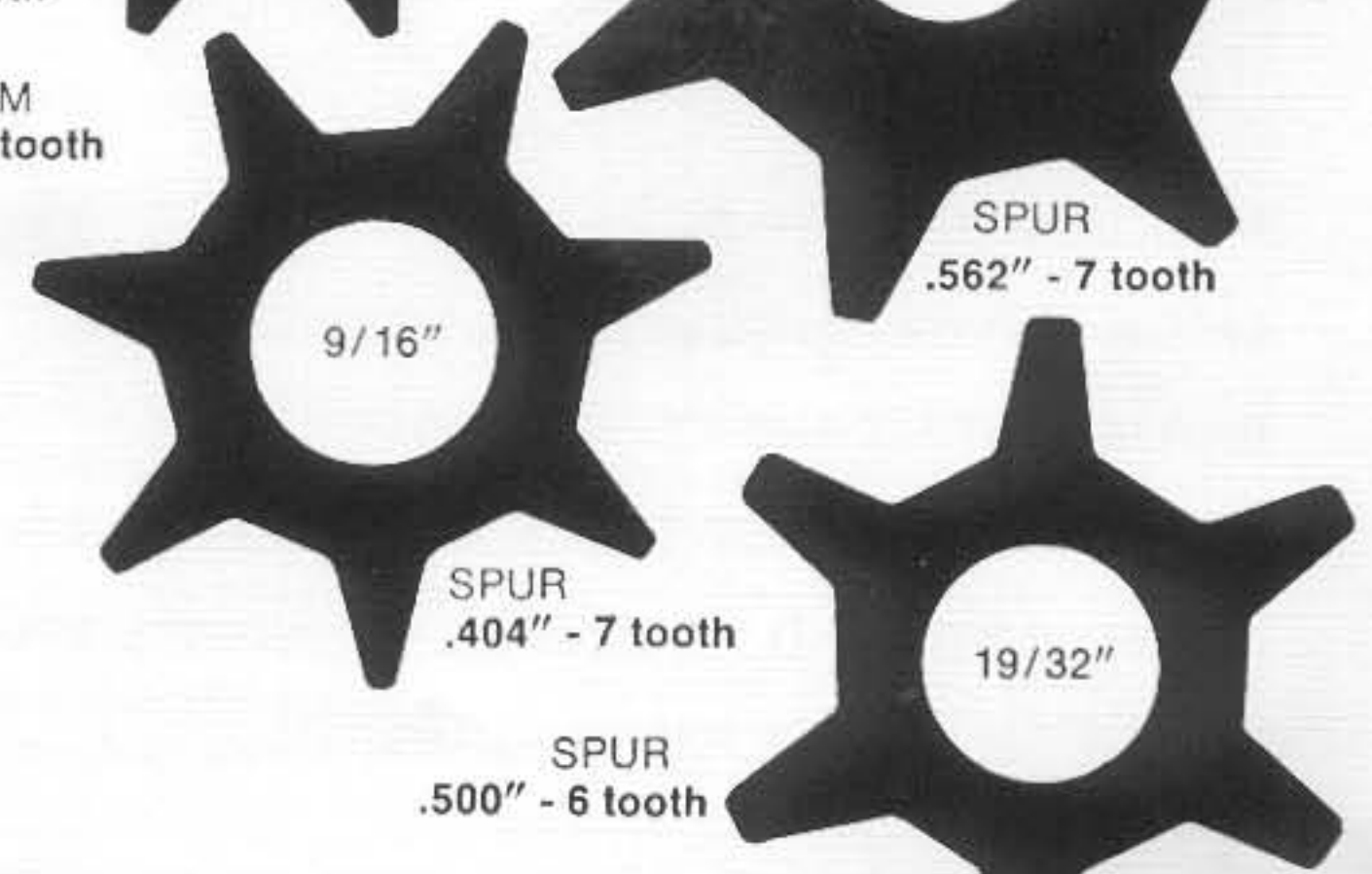
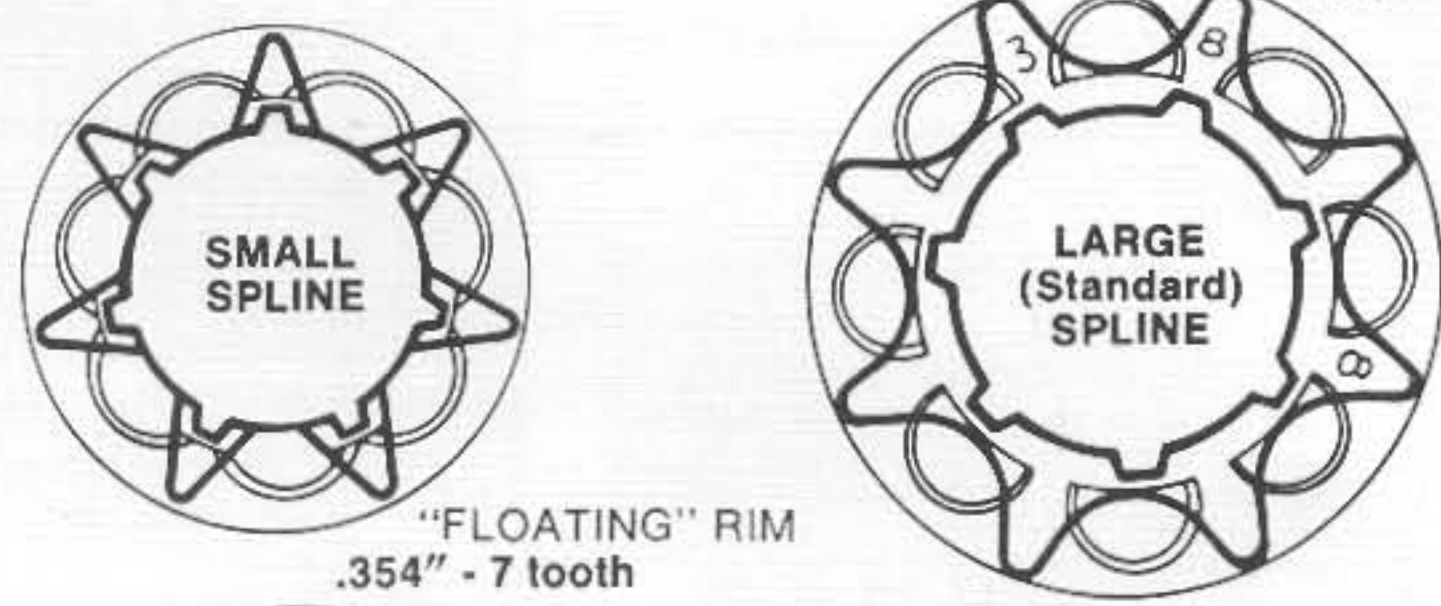
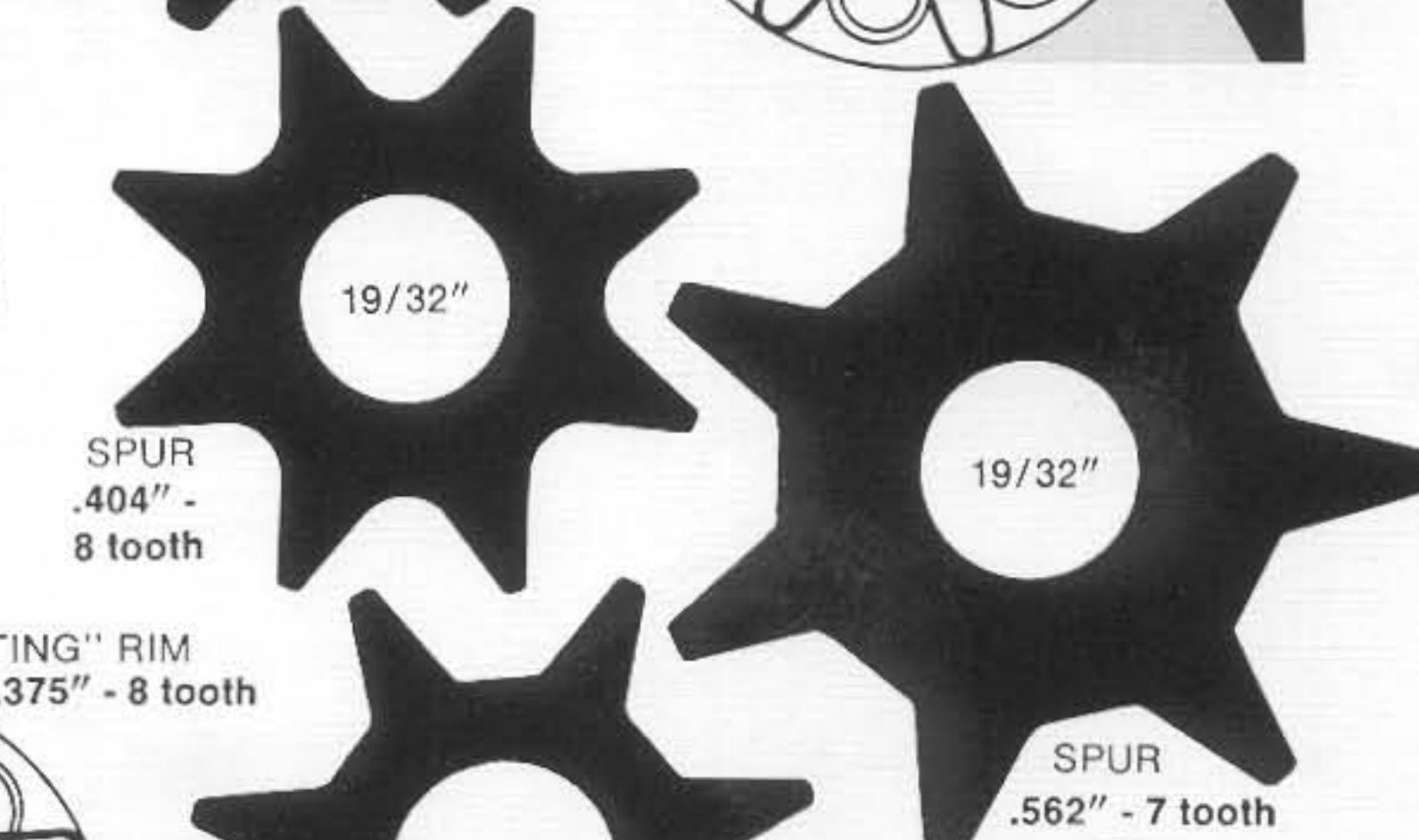
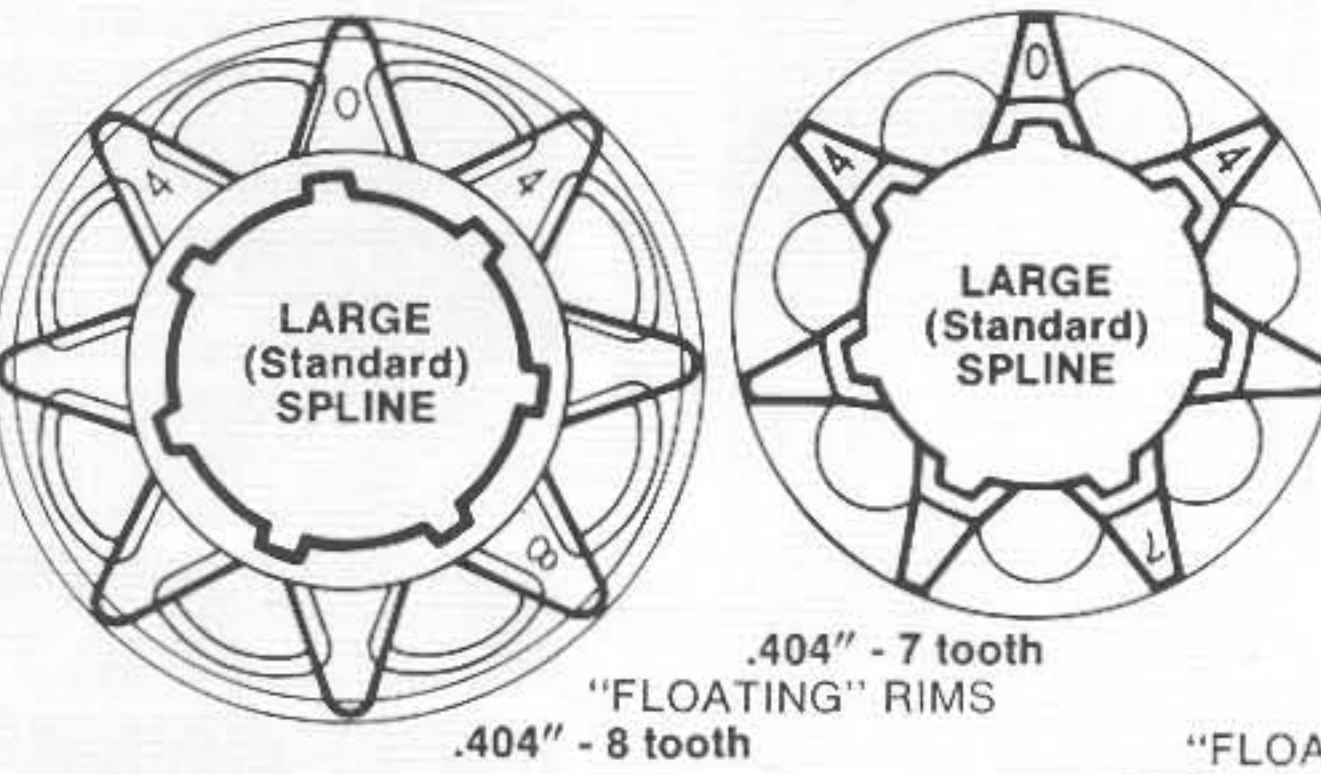
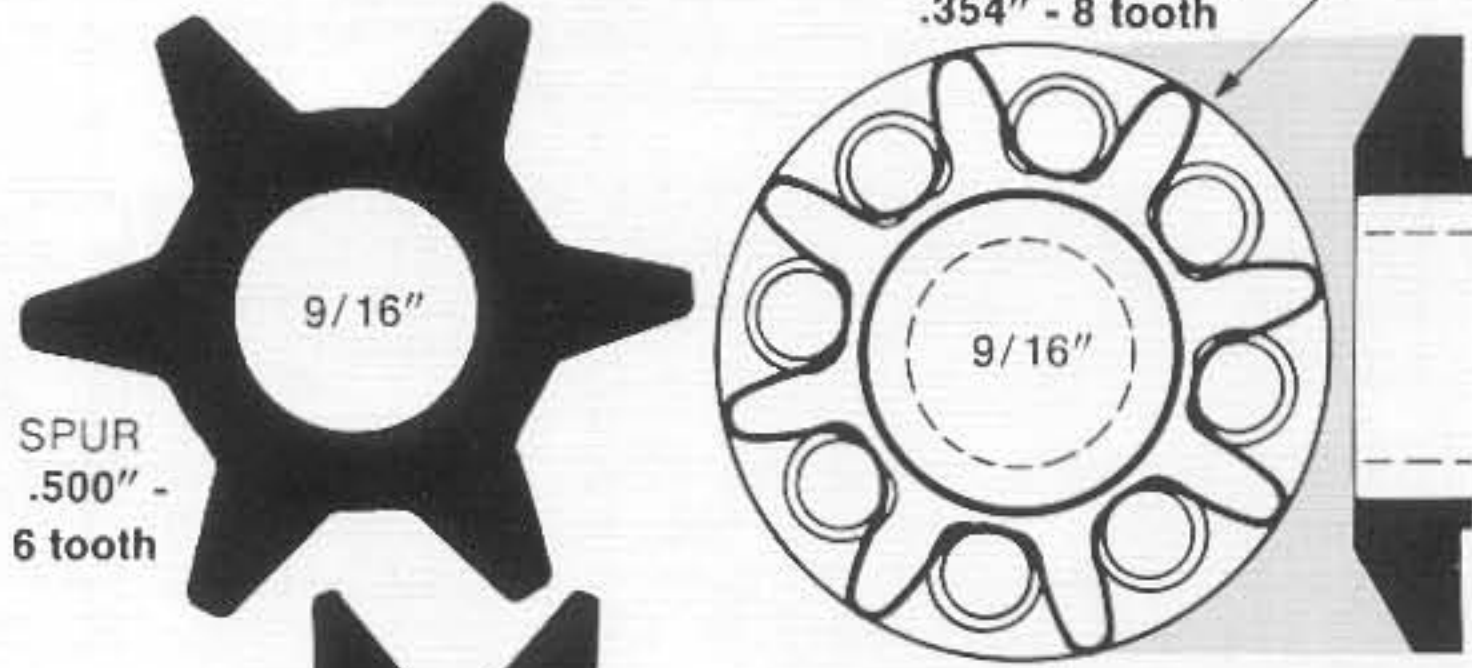
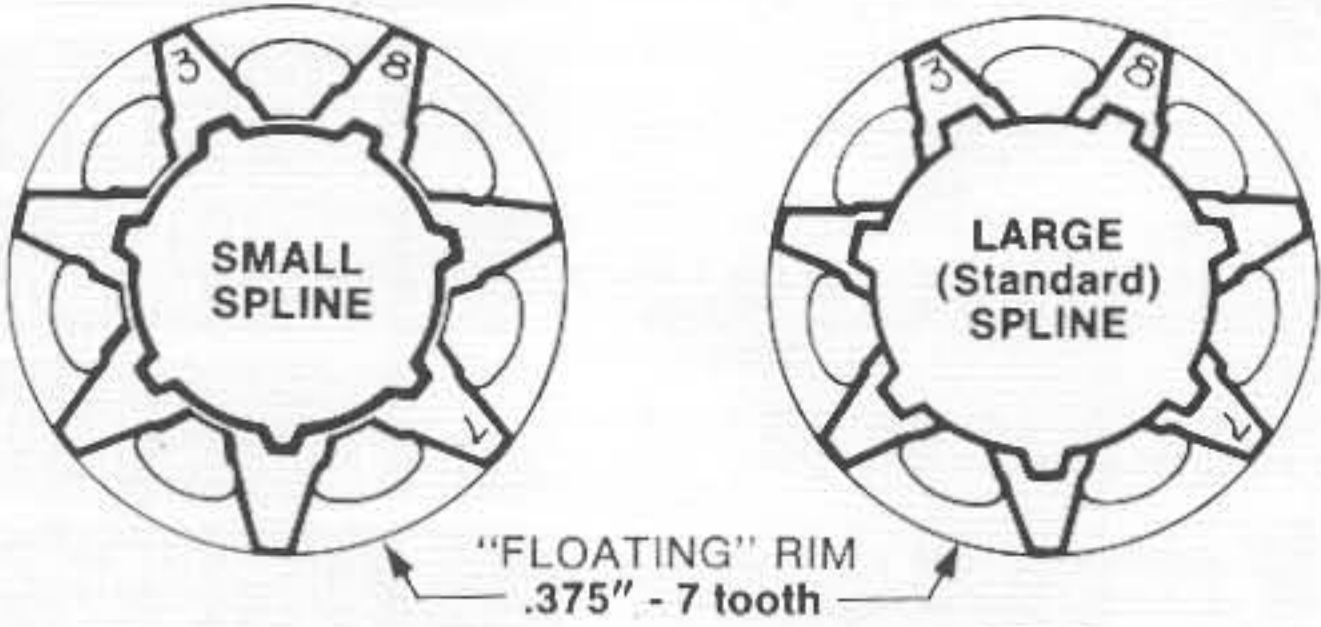
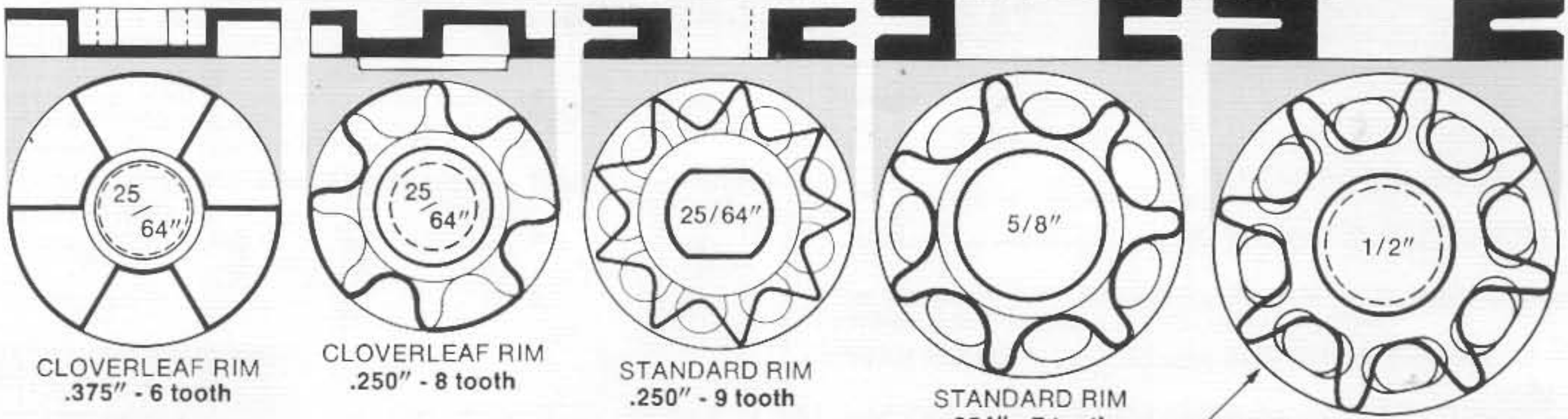
In all cases in this catalogue where Super Pro Round (SPR) chain is shown, Super Pro Square (SPS) chain may be substituted in its place using the same number of center links called for on the corresponding length of Super Pro Round (SPR) chain.

.058 GAUGE CHAIN

All reference to .058 gauge chain has been removed from the body of this catalogue. However, Part Numbers of any .058 gauge chain remaining in our inventory may be found in the Numerical Parts List beginning on page 17.

McCULLOCH SPROCKETS

Use these actual-size "silhouettes" to identify many popular size sprockets.



SPROCKET TYPES AVAILABLE					
PITCH	TEETH	CLOVERLEAF	"FLOATING"	RIM	SPUR
.250"	8	●			
	9			●	
.354"	7		●	●	
	8			●	
.375"	6	●			
	7		●		
.404"	8		●		
	7		●		●
.500"	6				●
	7				●
.562"	6				●
	7				●



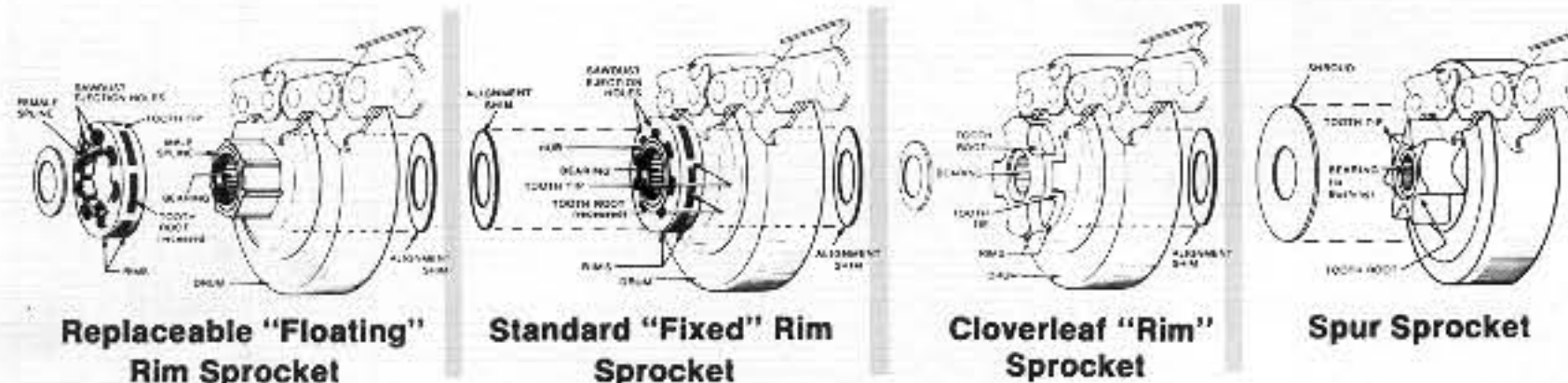
Replaceable "Floating" Rim Sprockets — Self-aligning rim keeps chain lined up with bar groove. Replace worn rim only; drum lasts for several rims. 2 spline sizes, 3 popular pitches.

McCulloch Sprockets For McCulloch Chain Saws

FOR USE ON SAW MODELS:	Description	Pitch	Teeth	SPROCKET TYPE	Part No.	REPLACEABLE RIM SPROCKET Part No.	SPROCKET-BEARING Part No.
Mini Mac 1's, Mini Mas 6's, Power Mac 6's, Super Pro 40, Pro Mac 510	Drum-Sprocket assembly	.250"	8	Cloverleaf	85504 ●		67650
Mac 110, Mac 120, Mac 130, Mac 140, Power Mac 6, Mini Mac 25, Mini Mac 30, Mini Mac 35, Mini Mac 35AS 25/64" Crankshaft Diameter	Drum-Sprocket assembly	.375"	6		90150B		91117
DIRECT DRIVES: Pro Mac 10-10, Pro Mac 555, Pro Mac 570, Pro Mac 700, Mac 10-10's, Pro 10-10A, Pro Mac 55, All Mac-10 Series 1/2" Crankshaft Diameter	Drum-Sprocket assembly, small	.354"	7	Floating Rim	86945	86950	110971
		.375"			86946 ▲	86951	
	Drum-Sprocket assembly, standard	.375"	7		86942	86344	
		.404"	8		86943	86949	
	Drum-Sprocket assembly	.354"	7		86944	86342	
		.404"	7		Rim	65370 ●	
Pro Mac 850 Super Pro 81, 80 1/2" Crankshaft Diameter	Drum-Sprocket assembly, standard	.375"	7	Floating Rim	86942	86344	110971
			8		86943	86949	
		.404"	7		86390	86342	
			8		86957	86341	
SMALL DIRECT DRIVES: Mac 15, 200, 250, 1-40 Series, 1-50 Series, D-30, D-36 5/8" Crankshaft Diameter	Drum-Sprocket assembly, standard	.354"	8	Rim	84668 +		110354
		.404"	7	Spur	62604		50128
			6		52878 ※	50363	
LARGE DIRECT DRIVES: SP-125C, SP-125 SP-105, Super 550 & 250, 44 Series, 300, 380, 440, 450, 550, 790, 795, S797, 1-70 Series, CP-125 9/16" Crankshaft Diameter	Drum-Sprocket assembly, standard	.404"	7	Floating Rim	90358	86342	90360
			8		90357 ★	86341	
	Drum-Sprocket assembly	.354"	8	Rim	62609		62681
			7	Floating Rim	90431	86344	90360
	Drum-Sprocket assembly, standard	.404"	7		Spur	90590	
			6	51774B ●		51793B	
GEAR DRIVES: G-70, 660, 895, 33 Series, 35 Series, 39, 55 Series, 2-10G, 5-10G, LG-2, LG-6's, 640, 650, 840, 890, 1-60 Series, 1-80 Series 19/32" Sprocket Shaft Diameter	Sprocket assembly	.404"	7	Spur	52069A		
			8		56442		
		.500"	6		36020B		
			7		36644A ●		
		.562"	6		36790A		
			7		36791A ■		
GEAR DRIVES: 1-92, 1-93, 940 19/32" Sprocket Shaft Diameter	Sprocket assembly	.500"	6	Spur	36020B		
			7		36644A		
		.562"	6		36790A		
			7		36791A ●		

● Original Equipment Sprockets on all saw models, with the following exceptions:

- ▲ Super Pro 60, Pro Mac 60/55, 7-10A, Mac10-10
- ※ Should be used w/Mac 15; may be used on other 5/8" crankshafts.
- + Super Pro 80 — (s/n 13-10000 and below)
- ★ Super Pro 125C/125
- 895



Sprocket Alignment Shims

STANDARD RIM Sprockets Only

FOR CHAIN SAW MODELS:	Shim Thickness	Part No.
Pro Mac 10-10, Pro Mac 555, Pro Mac 570, Pro Mac 700, Pro Mac 850, All Mac 10 Series direct drives	.010"	61691
	.254mm	
	.020"	61692
	.508mm	
SMALL DIRECT DRIVES: Mac 15, 200, 250, 1-40 Series, 1-50 Series, D-30, D-36	.035"	61693
	.889mm	
	.018"	60166
	.457mm	
LARGE DIRECT DRIVES: 1-70 Series, 44 Series, 300, 5250, 380, 440, 450, 550, S550, 790, 795, 795L, 797, S797	.036"	60167
	.914mm	
	.060"	60168
	1.524mm	
LARGE DIRECT DRIVES: 1-70 Series, 44 Series, 300, 5250, 380, 440, 450, 550, S550, 790, 795, 795L, 797, S797	.018"	60169
	.457mm	
	.036"	60170
	.914mm	
LARGE DIRECT DRIVES: 1-70 Series, 44 Series, 300, 5250, 380, 440, 450, 550, S550, 790, 795, 795L, 797, S797	.060"	60171
	1.524mm	

REPLACEABLE "FLOATING" RIM Sprockets Only

FOR CHAIN SAW MODELS:	Shim Thickness	Part No.
Pro Mac 555, Pro Mac 570, Pro Mac 700, All Mac 10 Series	.020" .508mm	86958
Pro Mac 850, SP 81/80	.050" 1.270mm	86395
SP125C/125, CP125	.060" 1.524mm	86366

Bars and Chains For McCulloch Chain Saws

CHAIN SAW MODELS	BARS .050 GAUGE ONLY			CHAINS .050 GAUGE CHAINS ONLY								
	Cutting Capacity	BAR STYLE	.050 GAUGE Part No.	.250" PITCH Length	C.L.	SM 250 GL Part No.	.375" PITCH Length	C.L.	MM 370 G Part No.	MP 370 G Part No.	AS 370G Part No.	
DIRECT DRIVES: Mac 110 Mac 120 Mac 130 Mac 140 Power Mac 6 Pro Mac 510 Mini Mac 25 Mini Mac 30 Mini Mac 35 Mini Mac 35AS Super Pro 40 Mini Mac 1A Mini Mac 1 Mini Mac 6A Mini Mac 6 Mini Mac Electric	These Mini Mac Electric Bar/Chain combinations will only fit the Mini Mac Electric model.	10"	Mini Mac	90630	29	58	92624N					
		10"	Mini Mac	90630	27½	55	92623N	27½ ₁₆	38	90638N	90641N	
		12"		90631	32	64	92620N	32½ ₁₆	44	90639N	90642N	
	These Bar/Chain combinations will fit all gas-powered models listed to the left.	14"	Mac 6	91730	35½	71	92625N	35½	49	90640N	90643N	92600 N
		12"		90770	32	64	92620N	32½ ₁₆	44	90639N	90642N	
		14"		90771	35½	71	92625N	35½	49	90640N	90643N	92600 N
	These Bars will fit the Mini Mac Electric, but (due to sprocket and bar mounting differences) longer chains must be cut to fit.	16"	Mini Pro Sprocket Tip	90772	40	80	92622N	40¼	55	90909N	90911N	
		10"		90745A				27½ ₁₆	38	90638N	90641N	
		12"		90549A*				32½ ₁₆	44	90639N	90642N	
		14"		90550A*				35½	49	90640N	90643N	92600 N
		16"		90752A				40¼	55	90909N	90911N	
		14"		91663	35½	71	92625N					
	16"	91615	40	80	92622N							

*Sold only in "V" Packs (multiples of 5).

These chains may require link adjustment when used on Power Mac saws.

Bars and Chains For McCulloch Chain Saws

CHAIN SAW	BARS				CHAINS							
	Cutting Capacity	BAR STYLE	.050 GAUGE Part No.	.063 GAUGE Part No.	CHAIN TYPE	Length	C.L.	.050 GAUGE Part No.	CHAIN TYPE	Length	C.L.	.063 GAUGE Part No.
DIRECT DRIVES: *Pro Mac 10-10 *Pro Mac 555 Pro Mac 700 Pro Mac 850 Super Pro 81 Super Pro 60 *Pro Mac 55 7-10A *Mac 10-10A *Mac 10-10 *Pro 10-10A *Mac 1-10 *Mac 2-10 *Mac 2-10A *Mac 2-10PS *Super 2-10A *Mac 3-10 *Mac 3-10E Mac 4-10 Mac 5-10 Mac 5-10A Mac 5-10E Mac 6-10 Mac 6-10A Pro Mac 60 *CP55 CP70 CP70L SP80	16"	MAC 10	89502		PM 350	43¼	61	89521N				
					PM 370G	43¾	60	88167N				
					SPR 370G	43¾	60	89974N				
		PM 370G	43¾		60	88167N						
		SPR 370G**	43¾		60	89974N						
	20"	MAC 10	89503		PM 350	51¾	73	89525N				
					PM 370G	51½ ₁₆	71	88173N				
					SPR 370G	51½ ₁₆	71	89979N				
		PM 370G**	51¼		70	88172N						
		PM 370G	51½ ₁₆		71	88173N						
		SPR 370G**	51¼		70	89978N						
24"	MAC 10	89504		PM 350	59½	84	89527N					
				PM 370G	60	82	93551N					
				SPR 370G	60	82	89982N					
	PM 370G	59¼		81	88175N							
	SPR 370G	59¼		81	89981N							
28"	MAC 10	89505		PM 370	67½ ₁₆	95	89530N					
				PM 370G	68½ ₁₆	93	93552N					
				SPR 370G	68½ ₁₆	93	89985N					
	PM 370G	67½ ₁₆		92	88177N							
	SPR 370G	67½ ₁₆		92	89984N							
33"	SPEED MAC	91284	91875	PM 370G	77½ ₁₆	106	93553N	PM 403	77¼	96	92102N	
				SPR 370G	77½ ₁₆	106	92101N	SM 403	77¼	96	92103N	
								SPR 403	77¼	96	92104N	
								SPS 403	77¼	96	92105N	

(continued on page 7)

**For 7-tooth sprocket.

C.L. = Center Links.

Bars and Chains For McCulloch Chain Saws

CHAIN SAW	BARS				CHAINS							
	Cutting Capacity	BAR STYLE	.050 GAUGE Part No.	.063 GAUGE Part No.	CHAIN TYPE	Length	C.L.	Part No.	CHAIN TYPE	Length	C.L.	Part No.
DIRECT DRIVES: Super Pro 125C Super 250 Pro Mac 105 Super Pro 125 Super Pro 105 Mac 15 Super 797 CP125 Super 44 Super 44A D-30 D-36 D-44 1-40 1-41 1-42 1-43 1-45 1-46 1-50 1-51 1-52 1-53 1-70 1-71 1-72 1-75 1-76 200 250 250P 300 380 440 450 550 Super 550 740 790 795 795L 797	1 4 "	PRO MAC		86227					PM 403	44 1/2	55	87116N
									PM 503	45 5/16	45	87125N
									SPR 403	44 1/2	55	87313N
	1 7 "	PRO MAC		86226					PM 403	48 9/16	60	87117N
									PM 503	49 5/16	49	87126N
									SPR 403	48 9/16	60	87314N
	1 8 "	MAC		86238					PM 403	52 5/8	65	87118N
									PM 503	52 3/8	52	87135N
										52 9/16	65	88918N
									SPR 403	52 5/8	65	87315N
	1 9 "	PRO MAC		86225					PM 403	52 5/8		87118N
									PM 503	53 3/8		87127N
									SPR 403	52 5/8		87315N
	2 3 "	PRO MAC		86224					PM 403 *	59 15/16	74	87119N
									PM 403	60 11/16	75	87124N
									PM 503	61 7/16	61	87128N
									PM 503 •	62 7/16	62	87129N
									SPR 403 *	59 15/16	74	87316N
									SPR 403	60 11/16	75	87317N
	2 4 "	MAC		86237					PM 403 *	62 5/16	77	86988N
									PM 403	63 1/8	78	88860N
									PM 503	63 7/16	63	87018N
									SM 403	63 1/16	78	88922N
									SPR 403 *	62 5/16	77	87318N
SPEED MAC				91300 •					SPR 403	63 1/8	78	88878N
									PM 403	59 15/16	74	87119N
									SM 403	59 15/16	74	88920N
									SPS 403	59 15/16	74	87372N
									SPR 403	59 15/16	74	87316N

(See page 4 for sprockets.)

(continued on page 8)

• Requires Spacer Plate Kit, P/N 92020. *For 7-tooth sprocket. C.L. = Center Links.

Bars and Chains For McCulloch Chain Saws

CHAIN SAW	BARS				CHAINS								
	Cutting Capacity	BAR STYLE	.050 GAUGE Part No.	.063 GAUGE Part No.	CHAIN TYPE	.050 GAUGE			.063 GAUGE				
						Length	C.L.	Part No.	CHAIN TYPE	Length	C.L.	Part No.	
DIRECT DRIVES: (Continued) Super Pro 125C Super 250 Pro Mac 105 Super Pro 125 Super Pro 105 Mac 15 Super 797 CP125 Super 44 Super 44A D-30 D-36 D-44 1-40 1-41 1-42 1-43 1-45 1-46 1-50 1-51 1-52 1-53 1-70 1-71 1-72 1-75 1-76 200 250 250P 300 380 440 450 550 Super 550 740 790 795 795L 797	27"	PRO MAC		86223					PM 403	68 ¹³ / ₁₆	85	88861N	
									PM 503	69 1/2	69	87130N	
									SM 403	68 3/4	85	88924N	
									SPR 403	68 ¹³ / ₁₆	85	88879N	
	28"	SPEED MAC			91336•					PM 403	68	84	87120N
										SM 403	68	85	87308N
										SPS 403	68	84	87147N
										SPR 403	68	84	87319N
	30"	MAC			86236					PM 403	76 ¹⁵ / ₁₆	95	86990N
										PM 503	76 1/2	76	87134N
										SPR 403	76 ¹⁵ / ₁₆	95	87322N
	31"	PRO MAC			86222					PM 403 *	76 1/8	94	87121N
										PM 403	76 ¹⁵ / ₁₆	95	86990N
										PM 503	77 ⁹ / ₁₆	77	87020N
										SPR 403 *	76 1/8	94	87321N
										SPR 403	76 ¹⁵ / ₁₆	95	87322N
	33"	SPEED MAC			91301•					PM 403	77 3/4	96	92102N
										SM 403	77 3/4	96	92103N
										SPR 403	77 3/4	96	92105N
	36"	MAC			86235 67742					PM 403 *	87 7/16	108	87122N
									PM 403	88 1/4	109	86991N	
									PM 503 *	87 5/8	87	87131N	
									SM 403	88 1/8	109	88927N	
									SPR 403 *	87 7/16	108	87324N	
									SPR 403	88 1/4	109	88881N	
38"	SPEED MAC			91324					PM 403	87 7/16	108	87122N	
									SM 403	87 7/8	108	87312N	
									SPR 403	87 7/16	108	87324N	
42"	MAC			86234					PM 403 *	98 3/4	122	87123N	
									PM 403	99 ⁹ / ₁₆	123	88865N	
									PM 503 *	99 ¹¹ / ₁₆	99	87133N	
									SM 403	100 1/4	124	88930N	
									SPR 403 *	98 3/4	122	87325N	
									SPR 403	99 ⁹ / ₁₆	123	88882N	

• Requires Spacer Plate Kit, P/N 92020.

* For 7-tooth sprocket.

C.L. = Center Links.

Bars and Chains For McCulloch Chain Saws

CHAIN SAW	BARS				CHAINS									
	Cutting Capacity	BAR STYLE	.050 GAUGE Part No.	.063 GAUGE Part No.	CHAIN TYPE	.050 GAUGE			CHAIN TYPE	.063 GAUGE				
						Length	C.L.	Part No.		Length	C.L.	Part No.		
GEAR DRIVES, Small: 33 33A 33B Super 33 35 Mac 35A 39 (See page 4 for sprockets.)	16"	PRO MAC		86227*					PM 403	44 1/2	55	87116N		
									PM 503	45 5/16	45	87125N		
									SPR 403	44 1/2	55	87313N		
		19"	PRO MAC		86226*					PM 403	48 9/16	60	87117N	
										PM 503	49 5/16	49	87126N	
										SPR 403	48 9/16	60	87314N	
		20"	MAC		86238					PM 403	52 5/8	65	87118N	
										PM 503	52 3/8	52	87135N	
										SPR 403	52 5/8	65	87315N	
			PRO MAC		86225						PM 403	52 5/8	65	87118N
										PM 503	53 3/8	53	87127N	
										SPR 403	52 5/8	65	87315N	
	24"	PRO MAC		86224*					PM 403	59 15/16	74	87119N		
									PM 503	61 7/16	61	87128N		
									SPR 403	59 15/16	74	87316N		
		SPEED MAC		91300•						PM 403	59 15/16	74	87119N	
									SM 403	59 15/16	74	88920N		
									SPS 403	59 15/16	74	87372N		
				SPR 403	59 15/16	74	87316N							
	26"	MAC		86237					PM 403	62 5/16	77	86988N		
									PM 503	63 7/16	63	87018N		
									SPR 403	62 3/8	77	87318N		
	28"	PRO MAC		86223*					PM 403	68	84	87120N		
									PM 503	69 1/2	69	87130N		
									SPR 403	68	84	87319N		
		SPEED MAC		91336•						PM 403	69	84	87120N	
									SM 403	68	84	87308N		
	32"	MAC		86236					PM 403	76 1/8	94	87121N		
									PM 503	76 1/2	76	87134N		
									SPR 403	76 1/8	94	87321N		
		PRO MAC		86222*						PM 403	76 1/8	94	87121N	
									PM 503	77 9/16	77	87020N		
									SPR 403	76 1/8	94	87321N		
	33"	SPEED MAC		91301•					PM 403		96	92102N		
									SM 403		96	92103N		
									SPR 403		96	92105N		

(continued on page 10)

*Requires Bar Mounting Kit, P/N 65781.

•Requires Spacer Plate Kit, P/N 92020.

C.L. = Center Links.

Bars and Chains For McCulloch Chain Saws

CHAIN SAW	BARS				CHAINS									
	Cutting Capacity	BAR STYLE	.050 GAUGE Part No.	.063 GAUGE Part No.	CHAIN TYPE	.050 GAUGE		CHAIN TYPE	.063 GAUGE					
					Length	C.L.	Part No.		Length	C.L.	Part No.			
GEAR DRIVES, Small: (Continued) 33 33A 33B Super 33 35 Mac 35A 39 (See page 4 for sprockets.)	37"	MAC		86235				PM 403	87 7/16	108	87122N			
								PM 503	87 5/8	87	87131N			
								SPR 403	87 7/16	108	87324N			
	38"	SPEED MAC		91324•					PM 403	87 7/16	108	87122N		
								SM 403	87 7/8	108	87312N			
								SPR 403	87 7/16	108	87324N			
	44"	MAC		86234•					PM 403	98 3/4	122	87123N		
								PM 503	99 1/16	99	87133N			
								SPR 403	98 3/4	122	87325N			

• Requires Spacer Plate Kit, P/N 92020.

C.L. = Center Links.

Bars and Chains For McCulloch Chain Saws

CHAIN SAW	BARS				CHAINS									
	Cutting Capacity	BAR STYLE	.050 GAUGE Part No.	.063 GAUGE Part No.	CHAIN TYPE	.050 GAUGE		CHAIN TYPE	.063 GAUGE					
					Length	C.L.	Part No.		Length	C.L.	Part No.			
GEAR DRIVES, Large: *G-70 660 895 895C 55 Super 55 Super 55A *Mac 2-10G *Mac 5-10G *Mac 5-10GA *LG-6 *Super LG-6 640 650 840 890 1-60 1-61 1-62 1-63 1-80 1-80HD 1-81 1-82 1-85 1-86 *Bars over 36" not recommended (See page 4 for sprockets.)	16"	PRO MAC		86227				PM 403	44 1/2	55	87116N			
								PM 503	45 5/16	45	87125N			
								SPR 403	44 1/2	55	87313N			
	19"	PRO MAC		86226					PM 403	48 9/16	60	87117N		
								PM 503	49 5/16	49	87126N			
								SPR 403	48 9/16	60	87314N			
	20"	MAC		86238**					PM 403	52 5/8	65	87118N		
								PM 503	52 3/8	52	87135N			
								SPR 403	52 5/8	65	87315N			
	20"	PRO MAC		86225					PM 403	52 5/8	65	87118N		
								PM 503	53 3/8	53	87127N			
								SPR 403	52 5/8	65	87315N			
	24"	PRO MAC		91300					PM 403	59 15/16	74	87119N		
								PM 503	61 7/16	61	87128N			
								SPR 403	59 15/16	74	87316N			
	24"	SPEED MAC		86224					PM 403	59 15/16	74	87119N		
								SM 403	59 15/16	74	88920N			
								SPS 403	59 15/16	74	87372N			
							SPR 403	59 15/16	74	87316N				

(continued on page 11)

** Requires Bar Plate Set, P/N 89560.

C.L. = Center Links.

Bars and Chains For McCulloch Chain Saws

CHAIN SAW	BARS				CHAINS							
	Cutting Capacity	BAR STYLE	.050 GAUGE Part No.	.063 GAUGE Part No.	CHAIN TYPE	Length	C.L.	Part No.	CHAIN TYPE	Length	C.L.	Part No.
GEAR DRIVES, Large: (Continued) *G-70 660 895 895C 55 Super 55 Super 55A *Mac 2-10G *Mac 5-10G *Mac 5-10GA *LG-6 *Super LG-6 640 650 840 890 1-60 1-61 1-62 1-63 1-80 1-80HD 1-81 1-82 1-85 1-86	26"	MAC		86237**					PM 403	62 5/16	77	86988N
									PM 503	63 7/16	63	87018N
									SPR 403	62 3/8	77	87318N
	28"	PRO MAC		86223					PM 403	68	84	87120N
									PM 503	69 1/2	69	87130N
									SPR 403	68	84	87319N
		SPEED MAC		91336*					PM 403	68	84	87120N
									SM 403	67 15/16	84	87308N
	32"	MAC		86236**					PM 403	76 1/8	94	87121N
									PM 503	76 1/2	76	87134N
									SPR 403	76 1/8	94	87321N
PRO MAC			86222					PM 403	76 1/8	94	87121N	
								PM 503	77 9/16	77	87020N	
								SPR 403	76 1/8	94	87321N	
33"	SPEED MAC		91301*					PM 403	77 3/4	96	92102N	
								SM 403	77 3/4	96	92103N	
								SPR 403	77 3/4	96	92105N	

*Bars over 36" not recommended for use on these saws.

(See page 4 for sprockets.)

•Requires Spacer Plate Kit, P/N 92020.

C.L. = Center Links.

Reel-Length Chains

Pro Mac Chain

Pitch	Gauge	CHAIN TYPE	Length	Part No.	Assem. Kits
.354	.050	PM 350	25'	89535N	10
			100'	89537N	40
.375	.050	MM 370G	25'	90141N	10
			100'	90139N	40
		MP 370G	25'	90455N	10
			100'	90453N	40
		AS 370G	25'	92598N	10
100'	92596N	40			
.404	.063	PM 403G	25'	87953N	9
			100'	87955N	36
.500	.063	PM 503	25'	89152N	7
			100'	86549N	28
.750	.122	PM 752	100'	86551N	12

Super Pro Chain

Pitch	Gauge	CHAIN TYPE	Length	Part No.	Assem. Kits
.375	.050	SPR 370G	25'	89970N	9
			100'	89968N	36
.404	.063	SPR 400	25'	89163N	8
			100'	87362N	32
		SPR 403	25'	87975N	8
			100'	86522N	32
		SPR 403S	25'	89164N	8
100'	86526N	32			
.404	.063	SPS 403	25'	89159N	8
			100'	86510N	32
.404	.063	SPS 403S	25'	89168N	8
			100'	86514N	32
.404	.063	SPS 403SS	25'	89173N	8
			100'	86518N	32

Speed Mac Chain

Pitch	Gauge	CHAIN TYPE	Length	Part No.	Assem. Kits
.250	.050	SM 250GL	25'	92619N	5
			100'	92618N	20
.375	.050	SM 370	25'	87966N	5
			100'	86553N	20
.404	.063	SM 403	25'	89156N	8
			100'	86559N	32

REEL-LENGTH CHAINS

McCulloch chains are available in the reel lengths shown on this page. Included with each reel of chain are Assembly Kits for making up "endless" chain loops. Each assembly kit contains: 1 - Side Link and 1 - Preset Side Link.

CHAIN REPAIR KITS:

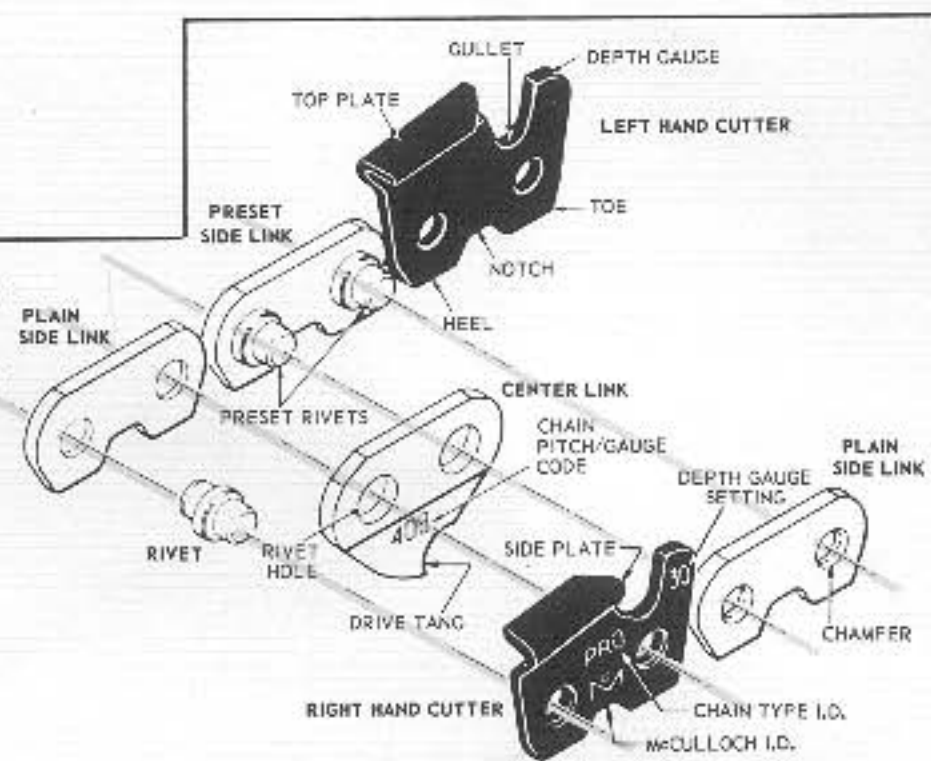
Each Chain Repair Kit consists of the following parts:

Carbide-Tipped Chain:

- 6—Center Links
- 4—Plain Side Links
- 4—Preset Side Links
- 1—L.H. Cutter
- 1—R.H. Cutter

All other Chain Types:

- 2—Plain Side Links
- 2—Preset Side Links
- 1—Center Link



Chain Repair Parts

PLEASE NOTE: Reorder in multiples of 10 of each part. Add letter "Z" to part number. Example: 1-p/n 90165Z (equals 10 Rivets).

CHAIN TYPE	Part No.						
	Left-hand Cutter	Right-hand Cutter	Plain Side Link	Pre-set Side Link	Center Link	Rivet	Repair Kit
MM 370G	90169	90170	90164	90166	90163	90165	90167
MP 370G	90466	90467	90164	90166	90163	90165	90167
AS 370G	92602	92603	90164	90166	90163	90165	92605 §
PM 250	88045	88046	88023	88024	88022	63570	88027
PM 350	62501	62502	62504	62506	89516	62505	89558
PM 370G	65074	65073	65076	65078	86598	65075	86600 ▲
PM 403	65102	65103	65105	86603	86601	86602	86607
PM 503	64970	64971	64972	64974	86608	64973	86610
PM 752	86614	86615	86612	86620	86611	86613	86627
SM 250GL	88025	88026	88023	88024	88022	63570	92563 ■
SM 370	86647	86648	65076	65078	86598	65075	86600
SM 403	86656	86657	86658	86661	86669	86660	86671
SPS 400							
SPS 400S	86629	86630	65105	65106	86628	65104	86634
SPS 400SS							
SPS 408							
SPS 408S	86629	86630	65105	65106	65101	65104	65107A
SPS 408SS							
SPS 403							
SPS 403S	86629	86630	65105	86603	86601	86602	86607
SPS 403SS							
SPR 370G	90211	90212	65076	65078	86598	65075	88007†
SPR 378G	90211	90212	65076	65078	65097	65075	88008††
SPR 400	86636	86637	65105	65106	86628	65104	86634
SPR 408							
SPR 408S	86636	86637	65105	65106	65101	65104	65107A
SPR 408SS							
SPR 403							
SPR 403S	86636	86637	65105	86603	86601	86602	86607
SPR 403SS							
SPS 508							
SPS 508S	86641	86642	64972	64974	64969	64973	64975A
SPS 508SS							
SPS 503							
SPS 503S	86641	86642	64972	64974	86608	64973	86610
SPS 503SS							
PMC 403*	91201*	91202*	65105	86603	86601	86602	91208*

* Repair Parts for Carbide-tipped chain may be ordered without regard to multiples-of-10 condition stated above — subject to availability.

† Contains 1 — "G" Link, p/n 88003

†† Contains 1 — "G" Link, p/n 88004

§ Contains 1 — "G" Link p/n 92604

■ Contains 1 — "G" Link p/n 91744

▲ Contains 1 — "G" Link p/n 88003

Bar Mounting and Repair Parts

To use a PRO MAC Bar on a MAC-10 Series Saw:

1. Invert Bar Adjusting Nut on clutch guard so that tang is at the bottom
2. Install Spacer (p/n 87839) onto bar mounting bolts. (See page 26)
3. Replace original bar plates with Bar Plate Set (p/n 65172).

For use with McCulloch Bars:	MINI MAC MAC 6 MINI PRO	MAC 10 (All Direct Drives) SUPER PRO SPEED MAC	PRO MAC SLIMLINE (All Direct Drive saws, 650 & MAC 10 Gear Drives) SUPER PRO SPEED MAC	PRO MAC SLIMLINE (All Gear Drives, except 650 & MAC 10 series) SUPER PRO SPEED MAC	MAC (Fat)	MAC (All Large Gear Drives)	SPEED MAC (All Large Direct Drive & Gear Drive saws)
	Bar Plates	Part No.	Part No.	Part No.	Part No.	Part No.	Part No.
L.H. Bar Plate	67588	64325	64935	64935	61995	89560	
R.H. Bar Plate	68673	64325	64935	64936*	61996	89561	
Set, Bar Plates	67667	64330	65172	65175	61994	89562	92020**
Oil Plate	90654		65100				

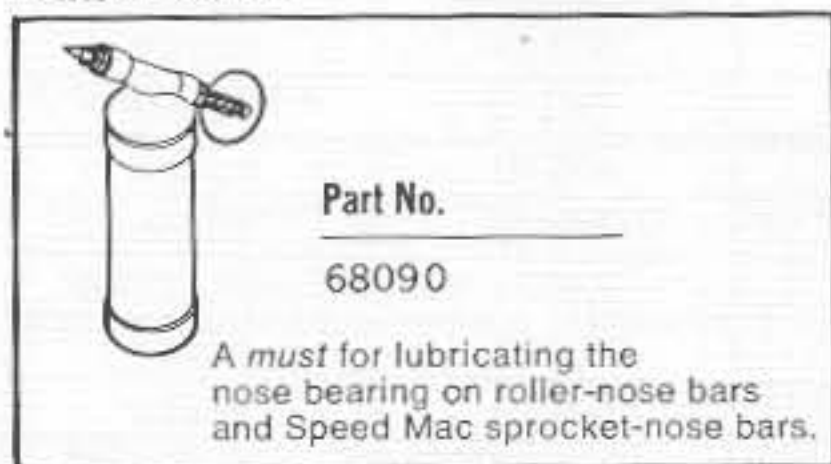
* Plated

** Spacer Kit, to be used with existing Bar Plates.

Bar Mounting (Updating) Kit

For Model 33, Super 33, Mac 35A, 35 & 39	Part No.
Bar Clamp/Oil Plate	65781

Lubri-Gun



Part No.

68090

A must for lubricating the nose bearing on roller-nose bars and Speed Mac sprocket-nose bars.



CONVERSION KIT*

Part No. 92635

Fits 10 series saws with .050 gauge 16" bars

- 1 - Chain SPR 370G Part No. 89974N
- 1 - Drum & Hub Part No. 86948
- 1 - Sprocket Part No. 86961

Part No. 92636

Fits 10 series saws with .058 gauge bars.

- 1 - Chain SPR 378G Part No. 89941
- 1 - Drum & Hub Part No. 86948
- 1 - Sprocket Part No. 86961

Parts and Kits For Sprocket-Nose and Roller-Nose Bars

Speed Mac sprocket-nose bars			
FOR CHAIN:		Complete Nose Assembly	Sprocket & Bearing Kit
Pitch	Gauge	Part No.	Part No.
.354"	.058	86829	86852
.375"	.050/.058	86830	86854
.404"	.063/.058	86831	86855

Super Pro roller-nose bars				FOR CHAIN SAW MODELS:
FOR CHAIN:		Roller Assembly Kit		
Gauge	Part No.	Inches	MM	
.050, .058	86912	2 1/2"	64mm	MAC-10 Series
.058, .063	86913	2 7/8"	74mm	Large Direct Drives and Gear Drives

10 SERIES SPROCKET TIP BARS			
FOR CHAIN		Sprocket & Bearing Kit	
Pitch	Gauge	Part No.	
.375"	.050"	92400	to be used on bars 91090 and 91176
		93667	to be used on bars 91090A and 91176A

Replacement Rivets*

Speed Mac sprocket-nose bars	
FOR BAR: Pitch Gauge	Rivet Part No.
ALL	86818

Super Pro roller-nose bars	
FOR BAR: Nose Diameter:	Rivet Part No.
2 1/2" 64mm	86926
2 7/8" 74mm	86939

*Reorder in multiples-of-10 of each part. Add letter "Z" to part number. Example: 1-p/n 86818Z (equals 10 Rivets).

Chain Maintenance Tools and Accessories

FILE-N-JOINT



Part No. For use on chains: *

- 93661 ProMac & Speed Mac
- 93772* Super Pro Square-filed

*Must be used with Part No. 93661

*Not for use with .250" pitch chains.

McCULLOCH FILES

FILES	Size	For use on:	Quantity	Part No.
Round	1/8"	PM 250 (S-25*), SM 250, MM 370G, MP 370G	1 Doz.	67621
			Twin Pack	84894
	† 5/32"	PM 250 (S-25*), SM 250, PM 350, PM 358 (SM-57*), MM 370G, MP 370G	1 Doz.	62648
			Twin Pack	91061
	† 3/16"	PM 350, PM 358 (SM-57*)	1 Doz.	56697
			Twin Pack	84895
	7/32"	PM 370, PM 378, PM 408 (S-40*), PM 403, SM 370, SM 378, SM 408, SM 403, SPR 370G, SPR 378G, SPR 400, SPR 408, SPR 403	1 Doz.	56698
			Twin Pack	91060
	1/4"	PM 508 (S-80*), PM 503	1 Doz.	56699
			Twin Pack	91059
	9/32"	PM 568 (M-90*)	1 Doz.	56928
	5/16"	PM 752 (Pond & Deck*)	1 Doz.	87926
Flat	6"	Depth Gauge, All (safe edge)	1-Doz	62622
			Skin Pack	84893
	8"	Depth Gauge, All	1-Doz	56701
Bevel-edge	7"	Square-filed (SPS) chains	1-Doz	86814

† For optimum performance —

PM 250 Chain: Use 5/32" file on first 1/2 of cutter; use 1/8" file from then on.

PM 358 Chain: Use 3/16" file on first 1/2 of cutter; use 5/32" file from then on.

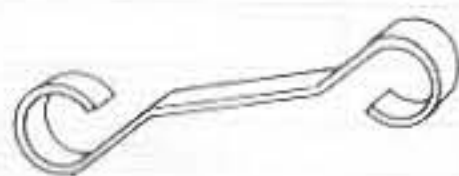
* Former Chain Designation



Twin Pack

Skin Pack

SPACER (BAR MOUNTING)



Required when mounting Pro Mac bar on the following saw models: SP 81/80, CP 70/55, PM 60/55, and all MAC-10 Series direct drives. Use proper Pro Mac Bar Plate Set for saw model used. (e.g., p/n 65172 for MAC-10 Series saws.)

Part No.

87839

FILE GUIDES AND FILE*



*File size furnished.

Part No. File Sizes

For Mini Mac's (including Electric), Power Mac 6's and Super Pro 40's

- 67750 *1/8", 5/32"
- 90607A *5/32"

For all saws except Mini Mac's and Power Mac's:

- 60950 3/16", *7/32", 1/4"
- 86172 *3/16", 7/32", 1/4"
- 86826 *7/32"

DEPTH GAUGES

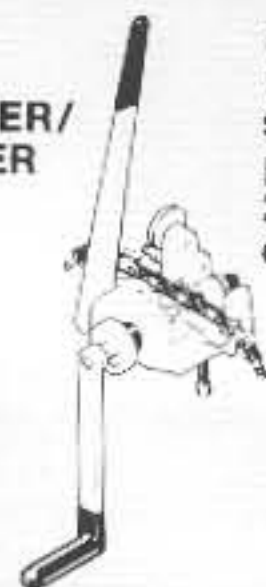


Sets depth gauges accurately to insure proper cutting, better use of saw's power. Gauge settings are in .005" increments.

Depth Gauge Settings Part No.

- .015-.020" 67688
- .025-.030" 67680
- .035-.040" 64198
- .045-.050" 64359
- .055-.060" 68400

SHOP CHAIN BREAKER/SPINNER



Finest available. Takes most chain types, makes, gauges, pitches — new or used. One simple, compact unit eliminates hammering and punching. Puts factory finish on rivets in easy 2-step operation — without taking chain out of unit.

Part No.

- Complete Unit 91922
- Replacement Parts:
- Breaker Plunger 91787
- Spinner 90198
- Anvil Clamp 90192
- Cup Screw 90208

GRINDER STONES

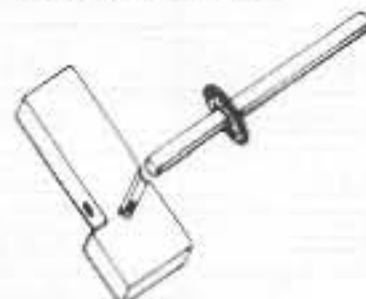
(for Electric Grinder)

Stones are made of top quality materials, to precise dimensions.



- | Sizes | Part No. |
|-------|----------|
| 7/32" | 104172 |
| 1/4" | 103029 |
| 9/32" | 103028 |
| 3/8" | 101307 |

CARBIDE CHAIN GRINDING WHEEL



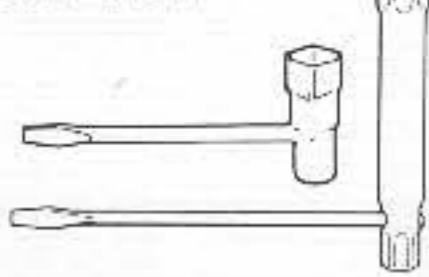
Diamond Grinding Wheel and Block Assembly, complete:

Part No. 62131

Diamond Grinding Wheel, only: (Replacement for above)

Part No. 62577

SCRENCH



A new combination SCReedriver, bar bolt wrENch, and spark plug wrenCH!

For Mini Mac's (including Electric) and Power Mac's	Part No.
	88756
MAC-10 Series Direct Drives	63746

SPARK PLUG AND DSP VALVE WRENCH



Fits all 5/8" spark plugs and 10 series DSP valves.
Part No. 91485



Fits all 11/16" spark plugs and PM 105 SP 125 DSP valves.
Part No. 36248A

TOOL KIT



For Mini Mac, Power Mac and Super Pro 40 saws. Everything you need to keep your chain in top cutting condition. Included: file guide, 2 files, file handle, depth gauge, srench.

Part No. 90958A

BAR GUARDS

Protect your bar and chain, and your hands.

MINI MAC/MAC 6 BARS	MAC 10 BARS
10" and 12" 92976	14" 16" and 20" 92913
14" and 16" 92977	92896



CHAIN SAW CARRYING CASES



MINI MAC

Case complete with 12" guard Part No. 93283
Case complete with 14" guard Part No. 93282



PRO MAC AND MAC 10-SERIES

Case complete with 14" guard Part No. 93284
Case complete with 16" guard Part No. 93285



AUTO SHARP
Grinder Assy.
Wheel Assy.

Part No. 92588
92587

Accessories and Personnel Safety Equipment

CHAIN, BAR & SPROCKET OIL

Superior to regular oil in lubrication properties.



Item	Part No.	Part No.
1 qt., metal can	110631	87885 case of 12 cans

40:1 TWO-CYCLE CUSTOM LUBRICANT

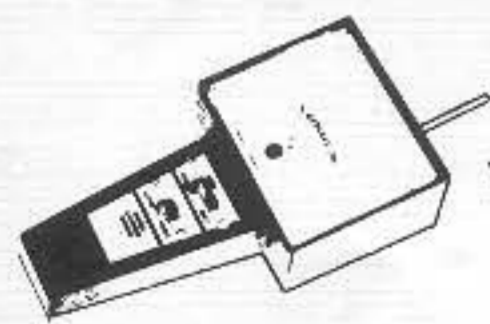
Reduces smoking, plug fouling, engine wear.



Item	Part No.	Part No.
6 oz. Can	85702	93770
6 Pack	85703	case of 48 cans
6 oz. Can	85702	85704 *
6 Pack	85703	case of 96 Cans
16 oz. Can	85705	85707
6 Pack	85706	case of 24 Cans
1 qt., metal can	85708	85709 case of 12 cans
5 gallon Can	85710	
15 gallon Drum	85711	
30 gallon Drum	85712	
55 gallon Drum	85713	

GEAR OIL (SAE 140)

Item	Part No.	Part No.
16 oz. Can	19342	104347 case of 24 Cans



TACHOMETER (2 & 4 cycle, 0-15,000 rpm)
Part No. 91424



LOCQUIC (60Z)
Part No. 69794
Catalyst to reduce cure time of loctite from hours to minutes.



LOCTITE (10cc)
Part No. 67537
Excellent liquid locking agent for screws, nuts and bolts.

PAINT

Pressure Spray Can

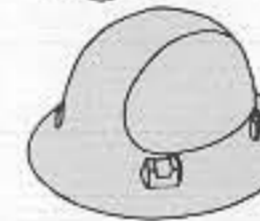
Item	Part No.	Part No.
Yellow, 12 oz. Can	102449	102464 case of 12 Cans
Black, 12 oz. Can	103503	103400 case of 12 Cans

HEAD PROTECTION — Safety Hats and Caps

All Caps & Hats come with GEOTEC suspension and integral nape strap.



Jet-Cap, with "Rain Trough". Yellow. 66JC



Jet-Hat. Yellow E1

Protecto Shield



Headgear. V10
Clear shield, 8"x12", .040" thick. V84

Vue-Guard Goggles



Ventilated frame, clear lens 301
6-port ventilation, clear lens 303

Craftguard Specs



Clear plastic, w/sideshields. VS7B

RESPIRATOR —



Dustite Mask

Item	Part No.
Adjustable headband, 12 replaceable filters, 1 washable cotton sanitary Facelet.	8D
Replaceable Filters, box of 25.	R670

* subject to availability.