



# McCULLOCH

## Chains, Bars & Accessories

Genuine  
**McCULLOCH**

# 12" Bar

100 series  
200 series

This high quality replacement bar is designed for use with McCulloch chain saws. Its pre-lubricated sprocket tip gives longer life and increased cutting speed. For all 100 and 200 series saws.

Genuine  
**McCULLOCH**

# 14" Bar

100 series  
300 series

This high quality replacement bar is designed for use with McCulloch chain saws. Its pre-lubricated sprocket tip gives longer life and increased cutting speed. For all 100, and 300 series saws.

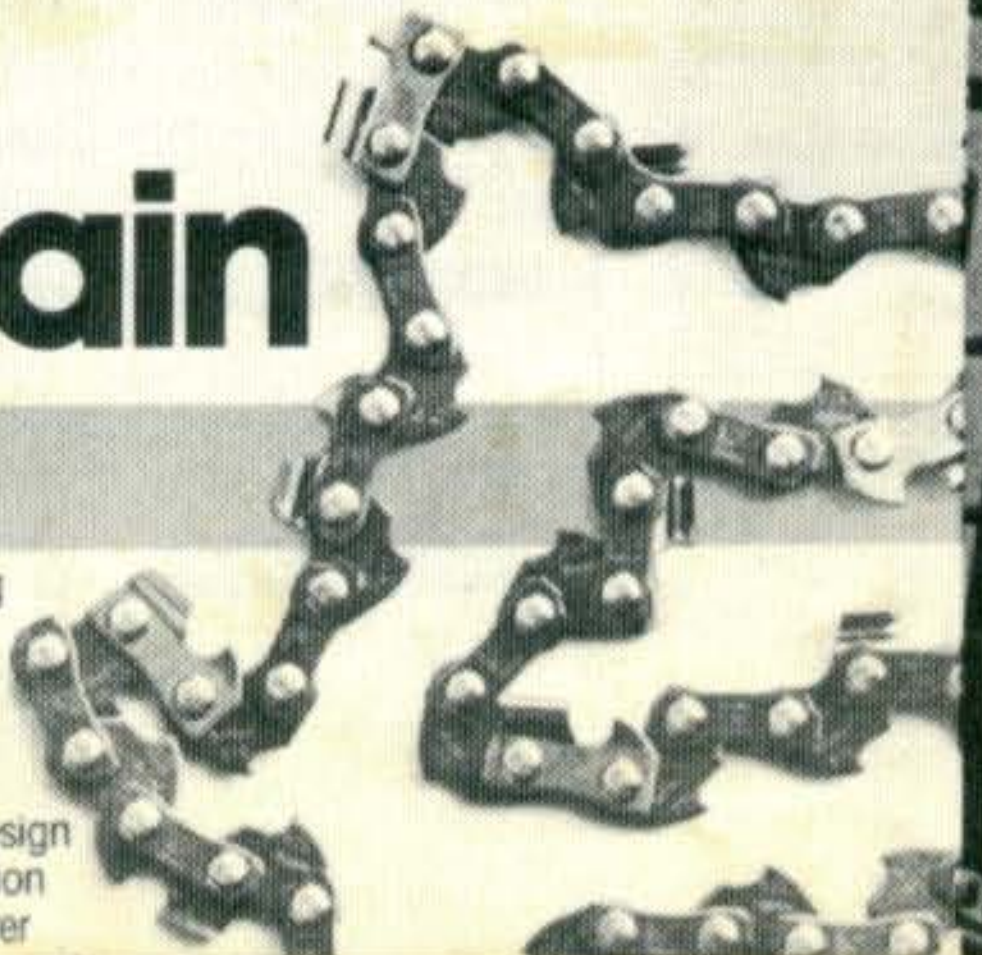
Genuine  
**McCULLOCH**

# 16" Chain

600 series

This smooth cutting chain is recommended for McCulloch chain saws.

Its low-kickback design allows safer operation and its chrome cutter



Genuine  
**McCULLOCH**

With gasoline,  
this carbon  
increases spark  
improves  
performance.

# 40:1 Oil

6 Oz.  
McCulloch Corporation, Los Angeles

Genuine  
**McCULLOCH**

With gasoline,  
this carbon  
increases spark  
improves  
performance.

# 40:1 Oil

6 Oz.  
McCulloch Corporation, Los Angeles

Genuine  
**McCULLOCH**

With gasoline,  
this carbon  
increases spark  
improves  
performance.

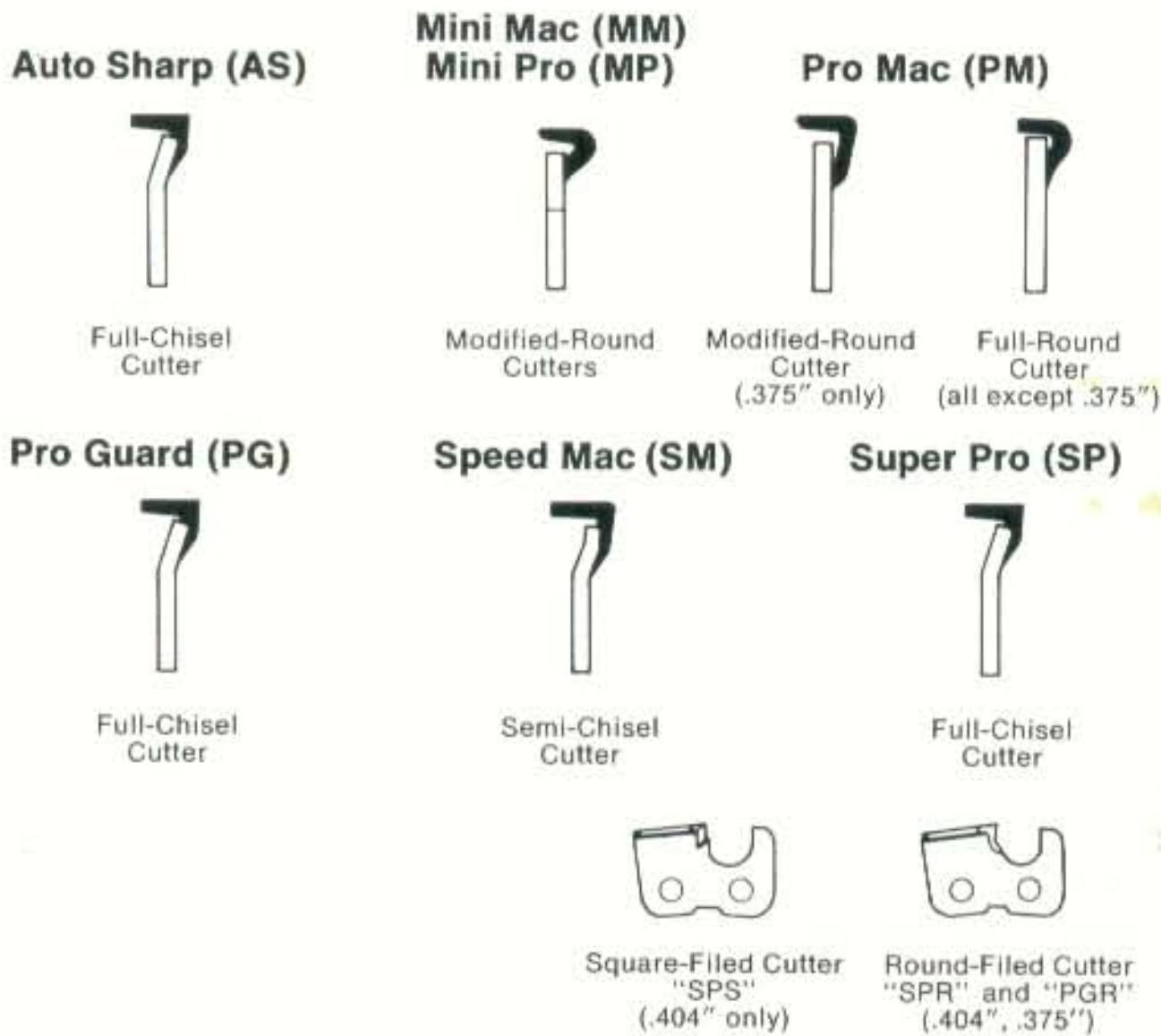
# 40:1 Oil

6 Oz.

# General Information

## McCULLOCH CHAIN

McCulloch offers six basic types of chain. A comparison of cutter teeth reveals differences between the various chain types. The cross section silhouettes of the respective cutter teeth clearly show the important characteristics of each chain type.



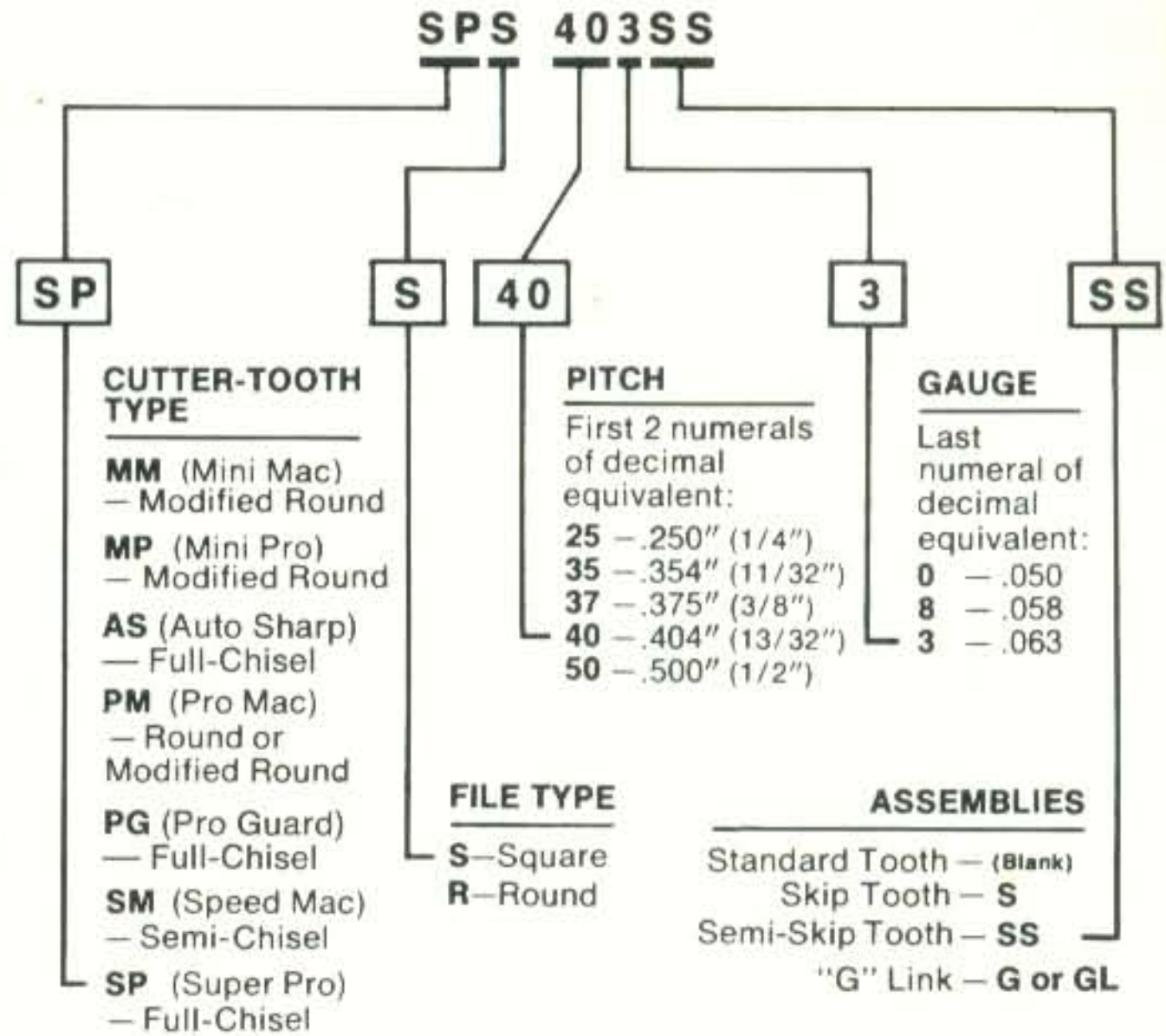
**TYPE** — Cutter teeth carry chain type identification stamped on the side: "MINI" (Mini Mac, Mini Pro, Auto Sharp), "PRO" (Pro Mac), "SPEED" (Speed Mac), "SUPER PRO" (Super Pro), "PRO GUARD" (Pro Guard).

**PITCH AND GAUGE** — Pitch and gauge code is stamped on each center link tang. (Exception: .250" pitch which carries no code on center link tang).

(The 2 digit number which is stamped on the cutter-tooth depth gauge is the recommended depth gauge setting, given in thousandths of an inch, e.g. 25 = .025".)

The McCulloch Chain Identification Scheme provides an easy and positive system for describing any McCulloch chain.

### CHAIN IDENTIFICATION SCHEME



CHAIN (Types of pitch and gauge available)					
TYPE	GAUGE	PITCH	TYPE	GAUGE	PITCH
Mini Mac Mini Pro	.050	.375"	Speed Mac	.050 .063	.250" .404"
Auto Sharp	.050	.375"	Super Pro (Square-filed cutters)	.063	.404" (Semi-Skip and Skip)
Pro Mac	.050	.354", .375"			
Pro Guard	.050	.375"	Super Pro (Round-filed cutters)	.050 .058 .063	.375", .404" .375" .404"

## McCULLOCH BARS

McCulloch offers nine different types of bars in a wide range of lengths.

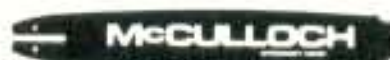
For specific bar/saw applications, see saw model listings on pages 5 and 7 through 11.

### Mini Bar



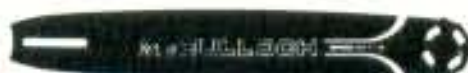
An economical three piece laminated bar. .050 gauge, 10". For Mac, Mini Mac saws.

### Mini Pro Sprocket-Nose Bar



A series of three piece laminated bars available in lengths to fit all saws used by homeowners. .050 gauge, .250" and .375" pitch, 10", 12", 14" and 16". For Mac, Mini Mac, Power Mac Series, Pro Mac 510 and SP40 saws.

### Sprocket-Tip Bars



Three piece laminated bars for homeowner use as well as farm and light duty professional application. .050 gauge, .375" pitch, 16" and 20". For Pro Mac and Mac 10 Series direct drives.

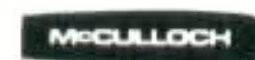
### Speed Mac Sprocket-Nose Bars



A solid bar series featuring a replaceable sprocket nose assembly. This series of bars is designed for heavy farm and professional application. .050 gauge, .375" pitch, 16"-33". .063 gauge, .404" pitch, 33"-38". For Pro Mac and Mac 10 Series direct drives.

### Standard Bars

#### Mini Mac Bars



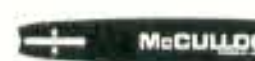
.050 gauge, 12", 14". For Macs, Mini Macs, Power Macs, Pro Mac 510 and SP 40 saws.

#### Mac 6 Bars



.050 gauge, 12", 14", 16". For Macs, Mini Macs, Power Macs, Pro Mac 510 and SP40 saws.

#### Mac 10 Bars



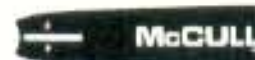
.050 gauge, 16"-28". For Pro Macs, Mac-10 Series, Super Pro 60 and 81 saws.

#### Pro Mac Bars



.063 gauge, 14"-31" for direct drives, 16"-32" for gear drives.

#### Mac Bars



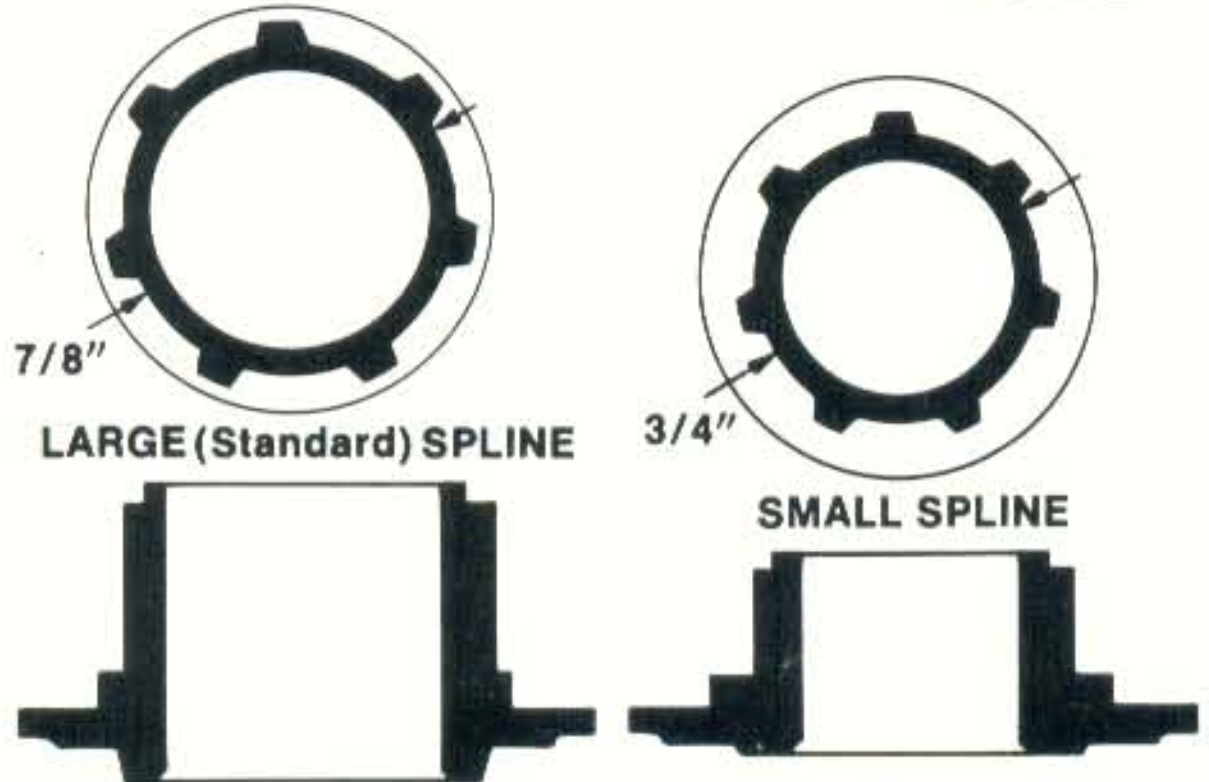
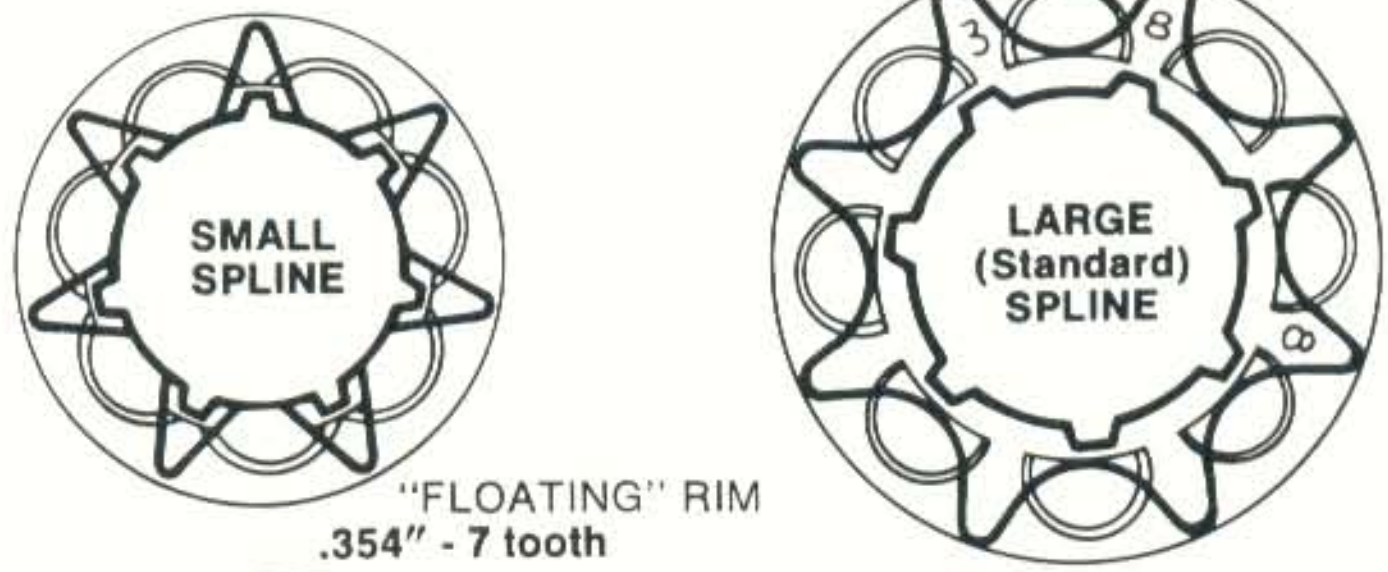
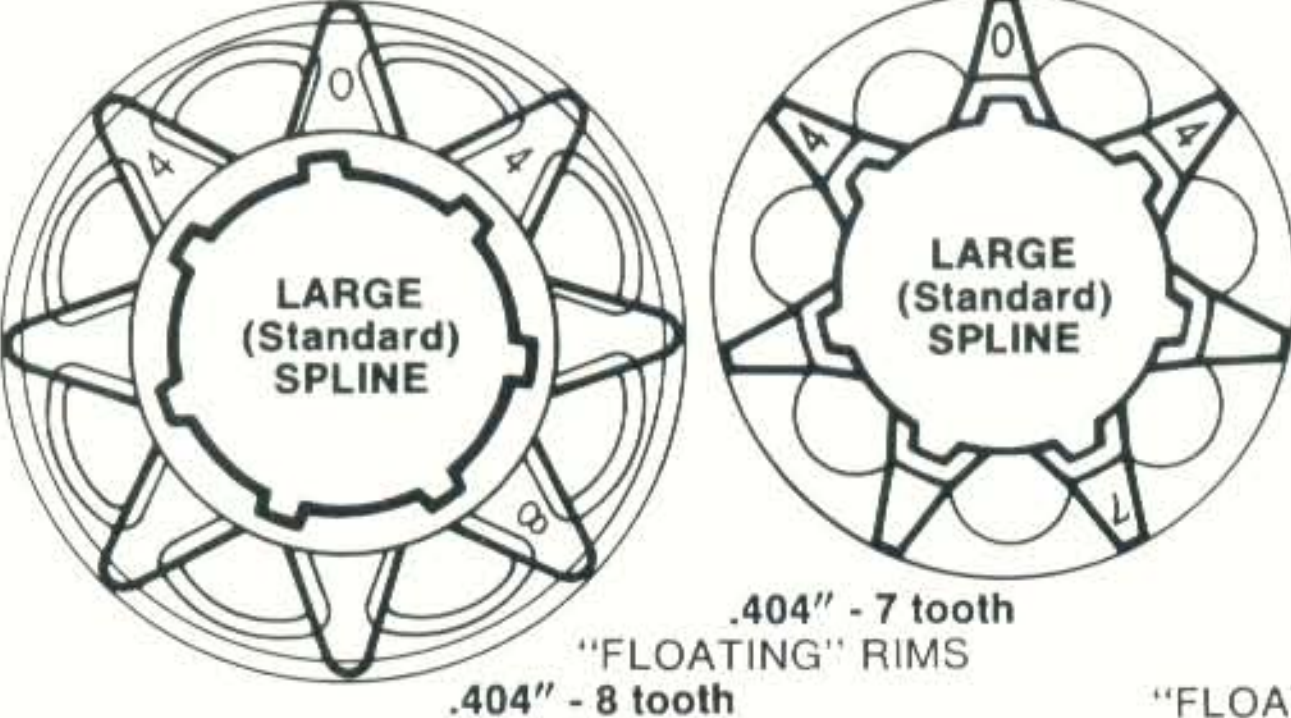
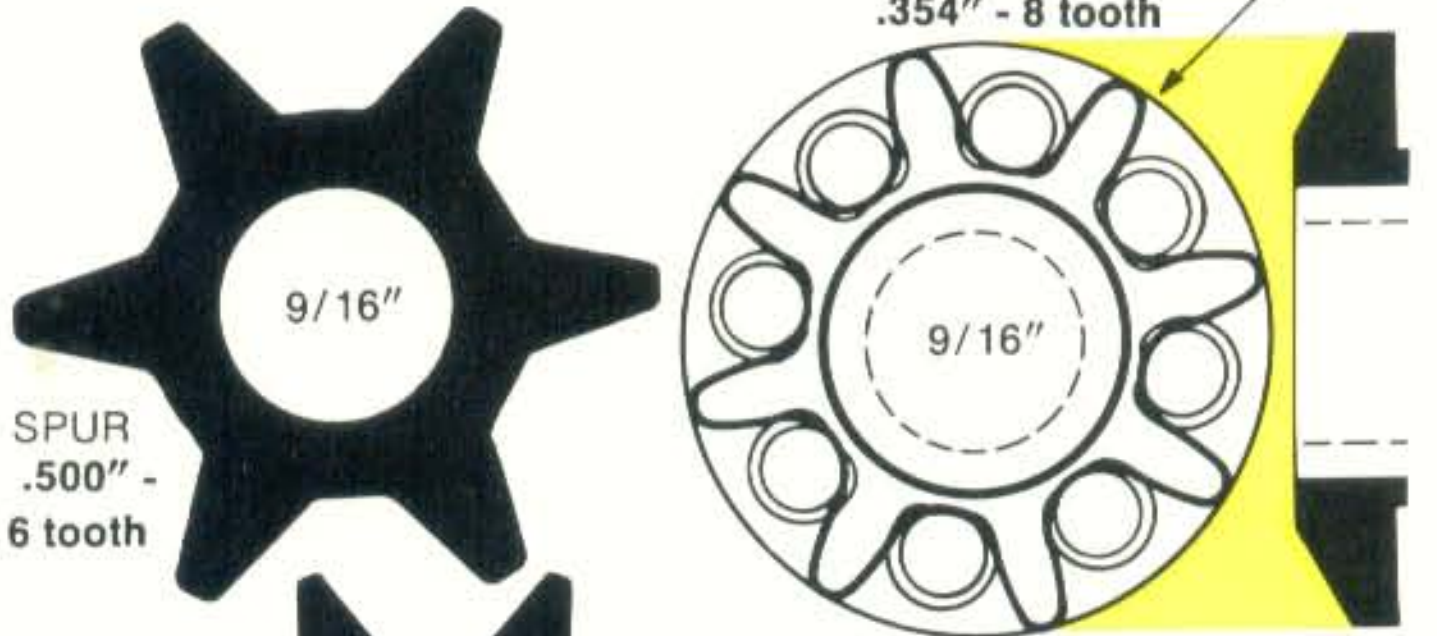
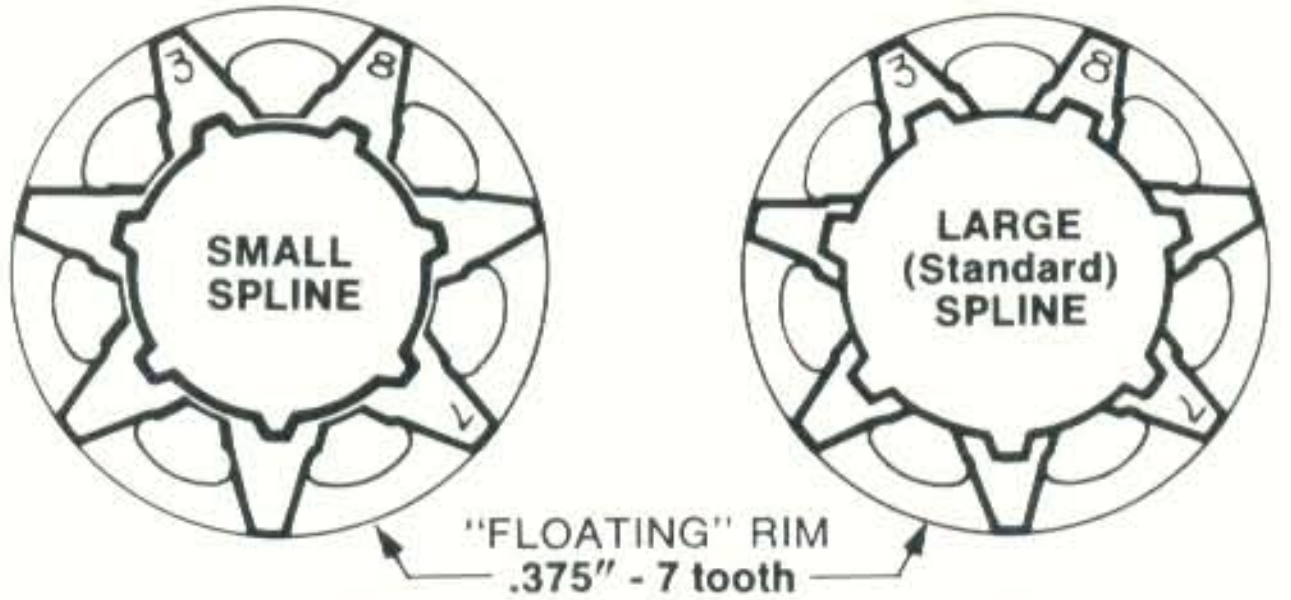
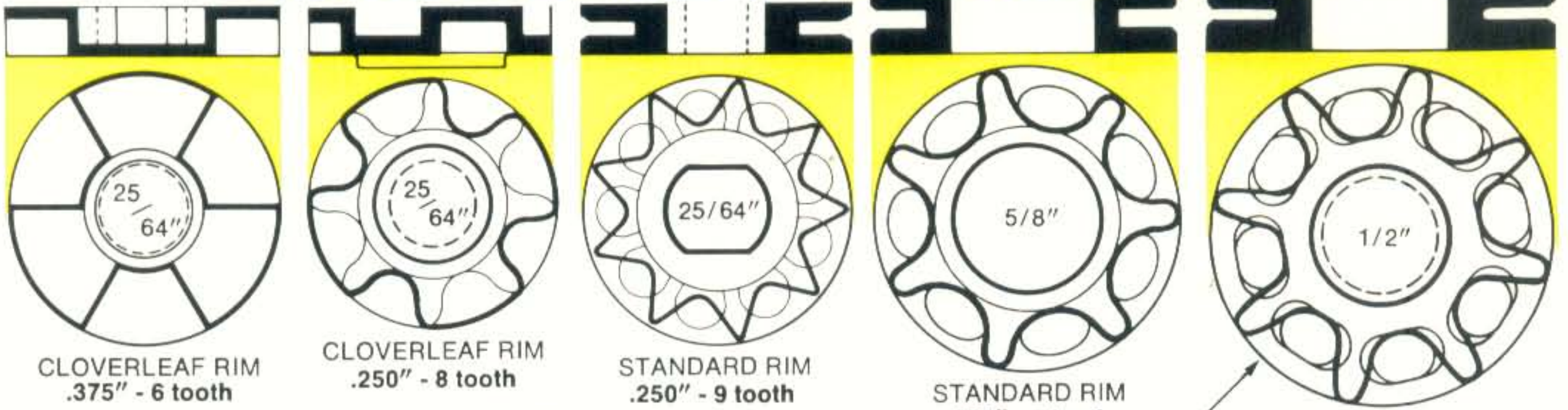
.063 gauge, 24"-36" for direct drives, 26"-37" for gear drives.

## TABLE OF CONTENTS

	Page
GENERAL INFORMATION .....	2
McCULLOCH SPROCKETS .....	4, 5
REPLACEMENT BARS AND CHAINS FOR McCULLOCH CURRENT CHAIN SAW LINE .....	6
REPLACEMENT BARS AND CHAINS FOR ALL McCULLOCH CHAIN SAWS	
DIRECT DRIVES: Mac 110, 120, 130, 140 Power Mac 310, 320, 330, 340 Power Mac 6, Pro Mac 510 Mini Mac 25, 30, 35, 35AS Super Pro 40 Mini Mac 1A, 1, 6A, 6 Mini Mac Electric .....	7
DIRECT DRIVES: Pro Mac 610, Pro Mac 650, Pro Mac 10-10, Pro Mac 555, Pro Mac 700, Pro Mac 800, Pro Mac 850, Pro Mac 1000, Super Pro 81, Super Pro 60, Pro Mac 55, 7-10A, Mac 10-10A, Mac 10-10, Pro 10-10A, Mac 1-10, Mac 2-10, Mac 2-10A, Mac 2-10PS, Super 2-10A, Mac 3-10, Mac 3-10E, Mac 4-10, Mac 5-10, Mac 5-10A, Mac 5-10E, Mac 6-10, Mac 6-10A Pro Mac 60, CP 55, CP 70, CP 70L, SP 80 .....	7
DIRECT DRIVES: Super Pro 125C, Super 250, Pro Mac 105, Super Pro 125, Super Pro 105, Mac 15, Super 797, CP 125, Super 44, Super 44A, D-30, D-36, D-44, 1-40, 1-41, 1-42, 1-43, 1-45, 1-46, 1-50, 1-51, 1-52, 1-53, 1-70, 1-71, 1-72, 1-75, 1-76, 200, 250, 250P, 300, 380, 440, 450, 550, Super 550, 740, 790, 795, 795L, 797 .....	8
GEAR DRIVES — SMALL: 33, 33A, 33B, Super 33, 35, Mac 35A, 39 .....	9
GEAR DRIVES — LARGE: G-70, 660, 895, 895C, 55, Super 55, Super 55A, Mac 2-10G, Mac 5-10G, Mac 5-10GA, LG-6, Super LG-6, 640, 650, 840, 890, 1-60, 1-61, 1-62, 1-63, 1-80, 1-80HD, 1-81, 1-82, 1-85, 1-86 .....	10
REEL LENGTH CHAINS .....	10
CHAIN REPAIR PARTS .....	11
BAR MOUNTING AND REPAIR PARTS .....	12
CHAIN MAINTENANCE TOOLS AND ACCESSORIES .....	13
ACCESSORY SELECTION CHART .....	14
ACCESSORY DISPLAY MODULES .....	14
OTHER DISPLAY MODULE COMBINATIONS .....	15
ACCESSORIES AND SAFETY EQUIPMENT .....	15, 16
NUMERICAL ORDER PART NUMBER LISTING .....	17, 18, 19

# McCULLOCH SPROCKETS

Use these actual-size "silhouettes" to identify many popular size sprockets.



Replaceable "Floating" Rim Sprockets — Self-aligning rim keeps chain lined up with bar groove. Replace worn rim only; drum lasts for several rims. 2 spline sizes, 3 popular pitches.

SPROCKET TYPES AVAILABLE					
PITCH	TEETH	CLOVERLEAF	"FLOATING" RIM	SPUR	
.250"	8	●			
	9				
.354"	7		●	●	
	8			●	
.375"	6	●			
	7		●		
	8		●		
.404"	7		●		●
			●		●
.500"	6				●
	7				●
.562"	6				●
	7				●

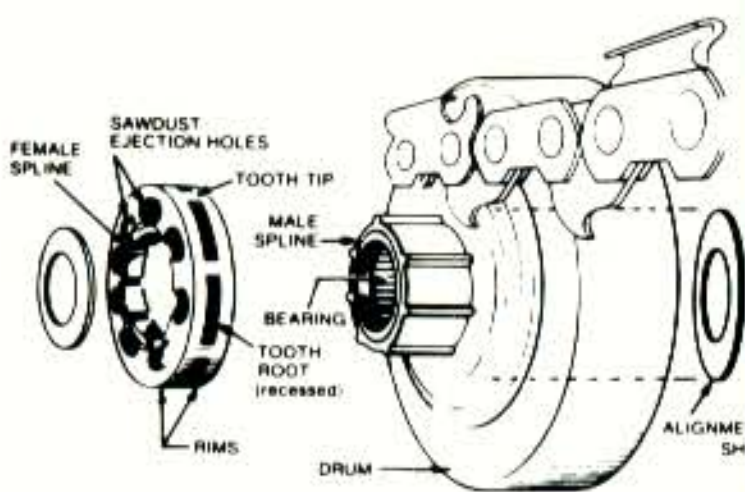


# McCulloch Sprockets For McCulloch Chain Saws

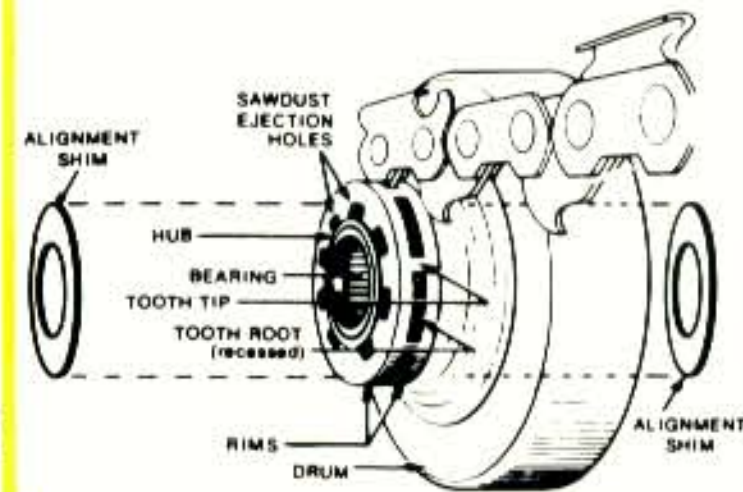
FOR USE ON SAW MODELS:	Description	Pitch	Teeth	SPROCKET TYPE	Part No.	REPLACEABLE RIM SPROCKET Part No.	SPROCKET-BEARING Part No.
Mini Mac 1's, Mini Mac 6's, Power Mac 6's, Super Pro 40, Pro Mac 510.	Drum-Sprocket assembly	.250"	8	Rim	85504 ●		67650
Mac 110, Mac 120, Mac 130, Mac 140, PM 310, PM 320, PM 330, PM 340. 25/64" Crankshaft Dia.	Drum-Sprocket assembly	.375"	6	Cloverleaf	214199		91222
Mini Mac 25, Mini Mac 30, Mini Mac 35, Mini Mac 35AS, Power Mac 6. 25/64" Crankshaft Diameter.	Drum-Sprocket assembly	.375"	6	Cloverleaf	95197		91222
DIRECT DRIVES: Pro Mac 10-10, Pro Mac 555, Pro Mac 570, Pro Mac 610, Pro Mac 650, Pro Mac 700, Pro Mac 850, Mac 10-10's, Pro 10-10A, Pro Mac 55, Pro Mac 555, All Mac-10, SP 81. Series. 1/2" Crankshaft Diameter.	Drum-Sprocket assembly, small	.354"	7	Floating Rim	86945	86950	110971
		.375"			214200	86951	
	Drum-Sprocket assembly, standard	.375"	7		86942	86344	
		.375"	8		86943	86949	
		.404"	7		86944	86342	
Drum-Sprocket assembly	.354"	7	Rim	65370 ●			
Super Pro 80, 1/2" Crankshaft Diameter	Drum-Sprocket assembly, standard	.404"	7	Floating Rim	86390	86342	110971
		.404"	8		86957	86341	
	Drum-Sprocket assembly	.354"	7	Rim	84668 +		
SMALL DIRECT DRIVES: Mac 15, 200, 250, 1-40 Series, 1-50 Series, D-30, D-36 5/8" Crankshaft Diameter	Drum-Sprocket assembly, standard	.354"	8	Rim	62604		
		.404"	7	Spur	52878 ※		50128
		.500"	6		50363A		
LARGE DIRECT DRIVES: SP 125C, SP 125, SP 105, Super 550 & 250, 44 Series, 300, 380, 440, 450, 550, 790, 795, S797, 1-70 Series, CP-125 9/16" Crankshaft Diameter	Drum-Sprocket assembly, standard	.404"	7	Floating Rim	90358	86342	90360
		.404"	8		90357 ★	86341	
	Drum-Sprocket assembly	.354"	8	Rim	62609		62681
		.375"	7	Floating Rim	90431	86344	90360
			8		90590	86949	
		Drum-Sprocket assembly, standard	.404"	7	Spur	51774B ●	
.500"	6		51793B				
GEAR DRIVES: G-70, 660, 895, 33 Series, 35 Series, 39, 55 Series, 2-10G, 5-10G, LG-2, LG-6's, 640, 650, 840, 890, 1-60 Series, 1-80 Series 19/32" Sprocket Shaft Diameter	Sprocket assembly	.404"	7	Spur	52069A		
			8		56442		
		.500"	6		36020B		
			7		36644A ●		
		.562"	6		36790A		
			7		36791A ■		
GEAR DRIVES: 1-92, 1-93, 940 19/32" Sprocket Shaft Diameter	Sprocket assembly	.500"	6	36020B			
			7	36644A			
		.562"	6	36790A			
			7	36791A ●			

● Original Equipment Sprockets on all saw models, with the following exceptions:

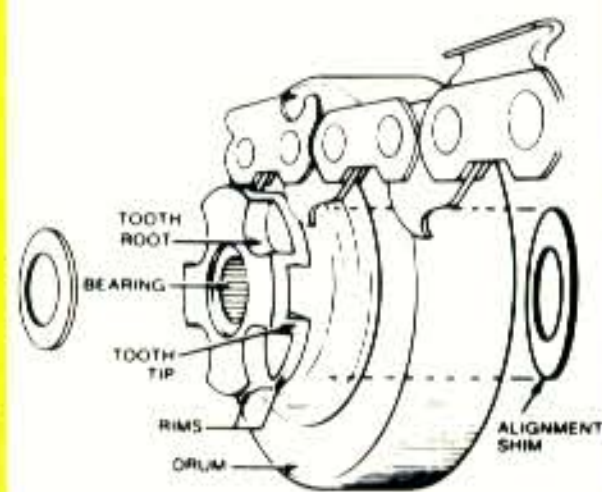
- ▲ Super Pro 60, Pro Mac 60/55, 7-10A, Mac 10-10
- ※ Should be used w/Mac 15; may be used on other 5/8" crankshafts.
- + Super Pro 80 - (s/n 13-10000 and below)
- ★ Super Pro 125C/125
- 895



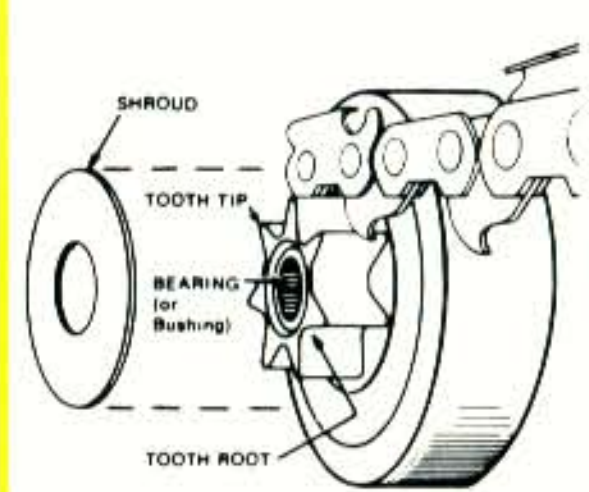
Replaceable "Floating" Rim Sprocket



Standard "Fixed" Rim Sprocket



Cloverleaf "Rim" Sprocket



Spur Sprocket

# Replacement Bars and Chains for McCulloch Chain Saw Line

MODEL	BAR DESCRIPTION	BAR PART NUMBER	CHAIN TYPE	CHAIN PART NUMBER
Mac 110	10" Mini 10" Mini Pro (Sprocket Tip)	94084 214233	< MM370GL MP370GL	214918N 214923N
Mac 120	12" Mini Pro (Sprocket Tip) 12" Mini Mac 12" Mac 6	214234 90631 90770	< MM370GL MP370GL	214916N 214921N
Power Mac 310	14" Mini Pro (Sprocket Tip) 14" Mini Mac 14" Mac 6	214235 91730 90771	< MM370GL MP370GL	214913N 214919N
Power Mac 320	16" Mini Pro (Sprocket Tip) 16" Mac 6	214236 90772	AS370GL	214230N
Power Mac 330	16" Mini Pro (Sprocket Tip) 16" Mac 6	214236 90772	MP370GL	214925N
Power Mac 340	16" Mini Pro (Sprocket Tip) 16" Mac 6	214236 90772	AS370GL	214230N
Pro Mac 510	16" Mini Pro (Sprocket Tip) 16" Mac 6	214345 90772	SM250GL	214239N
Pro Mac 10-10 (D)	16" Sprocket Tip 16" Speed Mac (Replaceable Sprocket Nose) 16" Mac 10	214237 94074 89502	< PM370G PGR370G SPR370G	88167N 214231N 89974N
Pro Mac 610	16" Sprocket Tip 16" Speed Mac (Replaceable Sprocket Nose) 16" Mac 10	214237 94074 89502	< PM370G PGR370G SPR370G	88167N 214231N 89974N
	20" Sprocket Tip 20" Speed Mac (Replaceable Sprocket Nose) 20" Mac 10	214238 93778 89503	< PM370G SPR370G PGR370G	88173N 89979N 214232N
Pro Mac 650 Pro Mac 700 Pro Mac 800	16" Speed Mac (Replaceable Sprocket Nose) 16" Mac 10	94074 89502	< PM370G PGR370G SPR370G	88167N 214231N 89974N
	20" Speed Mac (Replaceable Sprocket Nose) 20" Mac 10	93778 89503	< PM370G SPR370G PGR370G	88173N 89979N 214232N
	24" Speed Mac (Replaceable Sprocket Nose) 24" Mac 10	86846 89504	< PM370G PGR370G SPR370G	88175N 94437N 89981N

# Bars and Chains for all McCulloch Chain Saws

CHAIN SAW MODELS	BARS .050 GAUGE ONLY	CHAINS .050 GAUGE CHAINS ONLY								
------------------	----------------------	-------------------------------	--	--	--	--	--	--	--	--

Current chain saw models shown in bold face type.

**DIRECT DRIVES:**

- Mac 110, 120, 130, 140.
- Power Mac 310, 320, 330, 340.
- Power Mac 6
- Pro Mac 510
- Mini Mac 25, 30†, 35†, 35AS.
- Super Pro 40
- Mini Mac 1A†, 1†, 6A†, 6.†
- Mini Mac Electric

†Oil Plate, P/N 90654, required when using bars, P/N 90631, 90632 and 90550.

Length	BAR TYPE	.050 GAUGE Part No.	.250" PITCH		SM250GL Part No.	.375" PITCH		MM 370GL Part No.	MP 370GL Part No.	AS 370GL Part No.
			Length	C.L.		Length	C.L.			
10"	Mini	94084	27½	55	92623N	27½	38	214918N	214923N	
12"		90631	32	64	92620N	32½	44	214916N	214921N	
14"	Mini Mac	91730	35½	71	92625N	35¾	49	214913N	214919N	214656N
12"		90770	32	64	92620N	32½	44	214916N	214921N	
14"	Mac 6	90771	35½	71	92625N	35¾	49	214913N	214919N	214656N
16"		90772	40	80	214239N	40¼	54		214925N	214230N
10"		214233*				27½	38	214918N	214923N	
12"		214234*				32½	44	214916N	214921N	
14"	Mini Pro Sprocket	214235*				35¾	49	214913N	214919N	214656N
16"		214236*				40¼	54		214925N	214230N
12"	Tip	91613	32	64	92620N					
14"		91663	35½	71	92625N					
16"		214345*	40	80	214239N					

These Bar/Chain combinations will fit all gas-powered models listed to the left.

These Bars will fit the Mini Mac Electric, but (due to sprocket and bar mounting differences) longer chains must be cut to fit.

\*Sold only in "V" Packs (multiples of 5)

These chains may require link adjustment when used on Power Mac saws.

## Bars and Chains for all McCulloch Chain Saws

CHAIN SAW	BARS				CHAINS								
	Length	BAR TYPE	.050 GAUGE Part No.	.063 GAUGE Part No.	CHAIN TYPE	Length	Center Links	.050 GAUGE Part No.	CHAIN TYPE	Length	Center Links	.063 GAUGE Part No.	
<b>DIRECT DRIVES:</b> *Pro Mac 610 *Pro Mac 650 *Pro Mac 10-10 *Pro Mac 555 Pro Mac 700 Pro Mac 800 Pro Mac 850 *** Pro Mac 1000 Super Pro 81 Super Pro 60 *Pro Mac 55 7-10A *Mac 10-10A *Mac 10-10 *Pro 10-10A *Mac 1-10 *Mac 2-10 *Mac 2-10A *Mac 2-10PS *Super 2-10A *Mac 3-10 *Mac 3-10E Mac 4-10 Mac 5-10 Mac 5-10A Mac 5-10E Mac 6-10 Mac 6-10A Pro Mac 60 *CP55 CP70 CP70L SP80  *Bars over 28" not recommended for use on these saws.  ***When using Mac or Pro Mac Bars (¾" Bar Mounting Slot), two bar bolt spacers P/N 213475 are required.	16"	SPROCKET TIP	214237*		PM 370G	43¾	60	88167N					
		SPEED MAC	94074		SPR 370G**	43¾	60	89974N					
						PGR 370G	43⅞"	59	214231N				
						PM 370G	43¾	60	88167N				
						SPR 370G	43¾	60	89974N				
						PGR 370G	43⅞"	59	214231N				
						PM 350	43¼	61	89521N				
						PM 370	43¾	60	88167N				
						SPR 370G	43¾	60	89974N				
20"	SPROCKET TIP	214238*		PGR 370G	43⅞"	59	214231N						
				PM 370G**	51¼	70	88172N						
				PM 370G	51½	71	88173N						
				SPR 370G**	51¼	70	89978N						
				SPR 370G	51½	71	89979N						
				PGR 370G	51⅞"	70	214232N						
				PM 370G**	51¼	70	88172N						
				PM 370G	51½	71	88173N						
				SPR 370G**	51¼	70	89978N						
24"	SPEED MAC	86846		SPR 370G	51½	71	89979N						
				PGR 370G	51⅞"	70	214232N						
				PM 350	51¼	73	89525N						
				PM 370G	51½	71	88173N						
				SPR 370G	51½	71	89979N						
				PGR 370G	51⅞"	70	214232N						
				PM 370G	59¼	81	88175N						
				SPR 370G	59¼	81	89981N						
				PGR 370G	59¼"	81	94437N						
28"	SPEED MAC	86847		PM 350	59½	84	89527N						
				PM 370G	60	82	93551N						
				SPR 370G	60	82	89982N						
				PGR 370G	59¼"	81	94437N						
				PM 370G	67½	92	88177N						
				SPR 370G	67½	92	89984N						
33"	SPEED MAC	91284	91875	PM 370	67½	95	89530N						
				PM 370G	68½	93	93552N						
				SPR 370G	68½	93	89985N			68	84	87319N†	
				PM 370G	77½	106	93553N	PM 403	77¼	96	92102N†		
				SPR 370G	77½	106	92101N	SM 403	77¼	96	92103N†		
38"	SPEED MAC		94199					SPR 403	77¼	96	92104N†		
								SPS 403	77¼	96	92105N†		
								SPR 403	108	87½	87324N†		

**SUPER PRO SQUARE (SPS CHAIN)**

In all cases in this catalog where Super Pro Round (SPR) chain is shown, Super Pro Square (SPS) chain may be substituted in its place using the same number of center links called for on the corresponding length of Super Pro Round (SPR) chain.

\*\*For 7-tooth sprocket.

†Chain loop not available from factory. For reference only.

\*Sold only in "V" Packs (multiples of 5)

## Bars and Chains for all McCulloch Chain Saws

CHAIN SAW	BARS				CHAINS								
	Length	BAR TYPE	.050 GAUGE	.063 GAUGE	CHAIN TYPE	.050 GAUGE			CHAIN TYPE	.063 GAUGE			
			Part No.	Part No.		Length	Center Links	Part No.		Length	Center Links	Part No.	
<b>DIRECT DRIVES:</b> Super Pro 125C Super 250 Pro Mac 105 Super Pro 125 Super Pro 105 Mac 15 Super 797 CP125 Super 44 Super 44A D-30 D-36 D-44 1-40 1-41 1-42 1-43 1-45 1-46 1-50 1-51 1-52 1-53 1-70 1-71 1-72 1-75 1-76 200 250 250P 300 380 440 450 550 Super 550 740 790 795 795L 797	17"	PRO MAC		86226					PM 403	48 <sup>9</sup> / <sub>16</sub>	60	87117N	
									PM 503	49 <sup>5</sup> / <sub>16</sub>	49	87126N†	
									SPR 403	48 <sup>9</sup> / <sub>16</sub>	60	87314N†	
	19"	PRO MAC		86225					PM 403	52 <sup>5</sup> / <sub>8</sub>			87118N
									PM 503	53 <sup>3</sup> / <sub>8</sub>		87127N†	
									SPR 403	52 <sup>5</sup> / <sub>8</sub>		87315N†	
	23"	PRO MAC		86224					PM 403 *	59 <sup>15</sup> / <sub>16</sub>	74		87119N
									PM 403	60 <sup>13</sup> / <sub>16</sub>	75	87124N†	
									PM 503	61 <sup>7</sup> / <sub>16</sub>	61	87128N†	
									PM 503 *	62 <sup>7</sup> / <sub>16</sub>	62	87129N†	
									SPR 403 *	59 <sup>15</sup> / <sub>16</sub>	74	87316N†	
									SPR 403	60 <sup>13</sup> / <sub>16</sub>	75	87317N†	
	24"	MAC		86237					PM 403 *	62 <sup>5</sup> / <sub>16</sub>	77		86988N†
									PM 403	63 <sup>1</sup> / <sub>8</sub>	78	88860N†	
									PM 503	63 <sup>7</sup> / <sub>16</sub>	63	87018N†	
									SM 403	63 <sup>1</sup> / <sub>16</sub>	78	88922N†	
									SPR 403 *	62 <sup>5</sup> / <sub>16</sub>	77	87318N†	
									SPR 403	63 <sup>1</sup> / <sub>8</sub>	78	88878N†	
	31"	PRO MAC		86222					PM 403 *	76 <sup>1</sup> / <sub>8</sub>	94		87121N†
									PM 403	76 <sup>15</sup> / <sub>16</sub>	95	86990N†	
								PM 503	77 <sup>9</sup> / <sub>16</sub>	77	87020N†		
								SPR 403 *	76 <sup>1</sup> / <sub>8</sub>	94	87321N†		
33"	SPEED MAC		91301 •					SPR 403	76 <sup>15</sup> / <sub>16</sub>	95		87322N†	
								PM 403	77 <sup>3</sup> / <sub>4</sub>	96	92102N†		
								SM 403	77 <sup>3</sup> / <sub>4</sub>	96	92103N†		
36"	MAC		86235					SPR 403	77 <sup>3</sup> / <sub>4</sub>	96		92105N†	
								PM 403 *	87 <sup>7</sup> / <sub>16</sub>	108	87122N†		
								PM 403	88 <sup>1</sup> / <sub>4</sub>	109	86991N†		
								PM 503 *	87 <sup>5</sup> / <sub>8</sub>	87	87131N†		
								SM 403	88 <sup>1</sup> / <sub>8</sub>	109	88927N†		
38"	SPEED MAC		91324 •					SPR 403 *	87 <sup>7</sup> / <sub>16</sub>	108		87324N†	
								PM 403	87 <sup>7</sup> / <sub>16</sub>	108	87122N†		
								SM 403	87 <sup>7</sup> / <sub>8</sub>	108	87312N†		
				SPR 403	87 <sup>7</sup> / <sub>16</sub>	108	87324N†						

• Requires Spacer Plate Kit, P/N 92020. \* For 7-tooth sprocket. † Chain loop not available from factory. For reference only.



## Bars and Chains for all McCulloch Chain Saws

CHAIN SAW	BARS			CHAINS								
	Length	BAR TYPE	.050 GAUGE Part No.	.063 GAUGE Part No.	CHAIN TYPE	.050 GAUGE		CHAIN TYPE	.063 GAUGE			
					Length	Center Links	Part No.			Length	Center Links	Part No.
GEAR DRIVES, Small: 33 33A 33B Super 33 35 Mac 35A 39	19"	PRO MAC		86226***					PM 403	48 9/16	60	87117N
									PM 503	49 5/16	49	87126N†
									SPR 403	48 9/16	60	87314N†
	20"	PRO MAC		86225***					PM 403	52 5/8	65	87118N
									PM 503	53 3/8	53	87127N†
									SPR 403	52 5/8	65	87315N†
	24"	PRO MAC		86224***					PM 403	59 15/16	74	87119N
									PM 503	61 7/16	61	87128N†
									SPR 403	59 15/16	74	87316N†
	26"	MAC		86237					PM 403	62 5/16	77	86988N†
									PM 503	63 7/16	63	87018N†
									SPR 403	62 3/8	77	87318N†
	32"	PRO MAC		86222***					PM 403	76 1/8	94	87121N†
									PM 503	77 9/16	77	87020N†
									SPR 403	76 1/8	94	87321N†
	33"	SPEED MAC		91301●					PM 403	77 3/4	96	92102N†
									SM 403	77 3/4	96	92103N†
									SPR 403	77 3/4	96	92105N
	37"	MAC		86235					PM 403	87 7/16	108	87122N†
									PM 503	87 5/8	87	87131N†
									SPR 403	87 7/16	108	87324N†
	38"	SPEED MAC		91324●					PM 403	87 7/16	108	87122N†
									SM 403	87 7/8	108	87312N†
									SPR 403	87 7/16	108	87324N†

\*\*\*Requires Bar Mounting Kit, P/N 65781.

●Requires Spacer Plate Kit, P/N 92020.

†Chain loop not available from factory. For reference only.

## Bars and Chains for all McCulloch Chain Saws

CHAIN SAW	BARS				CHAINS								
	Length	BAR TYPE	.050 GAUGE	.063 GAUGE	CHAIN TYPE	.050 GAUGE		CHAIN TYPE	.063 GAUGE				
			Part No.	Part No.		Length	Center Links		Part No.	Length	Center Links	Part No.	
GEAR DRIVES, Large: *G-70 660 895 895C 55 Super 55 Super 55A *Mac 2-10G *Mac 5-10G *Mac 5-10GA *LG-6 *Super LG-6 640 650 840 890 1-60 1-61 1-62 1-63 1-80 1-80HD 1-81 1-82 1-85 1-86	19"	PRO MAC		86226					PM 403	48 9/16	60	87117N	
									PM 503	49 5/16	49	87126N†	
									SPR 403	48 9/16	60	87314N†	
	20"	PRO MAC		86225						PM 403	52 5/8	65	87118N
										PM 503	53 3/8	53	87127N†
										SPR 403	52 5/8	65	87315N†
	24"	PRO MAC		86224						PM 403	59 19/16	74	87119N
										SM 403	59 19/16	74	88920N†
										SPS 403	59 19/16	74	87372N†
	26"	MAC		86237**						SPR 403	59 19/16	74	87316N†
										PM 403	62 3/16	77	86988N†
										PM 503	63 7/16	63	87018N†
	32"	PRO MAC		86222						SPR 403	62 3/8	77	87318N†
										PM 403	76 1/8	94	87121N†
										PM 503	77 9/16	77	87020N†
	33"	SPEED MAC		91301*						SPR 403	76 1/8	94	87321N†
										PM 403	77 3/4	96	92102N†
										SM 403	77 3/4	96	92103N†
										SPR 403	77 3/4	96	92105N†

\*Bars over 36" not recommended for use on these saws.  
 \*\*Requires Bar Plate Set, P/N 89560.  
 \*\*\*Requires Bar Mounting Kit, P/N 65781.  
 •Requires Spacer Plate Kit, P/N 92020.  
 †Chain loop not available from factory. For reference only.

## Reel-Length Chains

McCulloch chains are available in the reel lengths shown on this page. Included with each reel of chain are Assembly Kits for making up

"endless" chain loops. Each Assembly Kit contains: 1 Side Link and 1 Preset Side Link.

CURRENTLY ACTIVE CHAIN												
Pitch	Gauge	CHAIN TYPE	Length	Part No.	Assem. Kits	Pitch	Gauge	CHAIN TYPE	Length	Part No.	Assem. Kits	
.250	.050	SM 250GL	25'	92619N	5	.375	.058	SPR 378G	25'	89903N	9	
			100'	92618N	20				100'	89901N	36	
.354	.050	PM 350	25'	89535N	10	.404	.050	SPR 400	25'	89163N	8	
			100'	89537N	40				100'	87362N	32	
.375	.050	MM 370GL	25'	214910N	10	.404	.063	PM 403	25'	89151N	8	
			100'	214908N	40				100'	86547N	32	
		MP 370GL	25'	214912N	10				SM 403	25'	89156N	8
			100'	214911N	40					100'	86559N	32
		AS 370GL	25'	214655N	10				SPR 403	25'	87975N	8
			100'	214654N	40					100'	86522N	32
		PM 370G	25'	87953N	9				SPS 403S	25'	89168N	8
100'	87955N		36	100'	86514N	32						
PGR 370G	25'	94431N	9	SPS 403SS	25'	89173N	8					
	100'	94429N	36		100'	86518N	32					
SPR 370G	25'	89970N	9	.500	.063	PM 503	25'	89152N	7			
	100'	89968N	36				100'	86549N	28			

## Chain Repair Kits

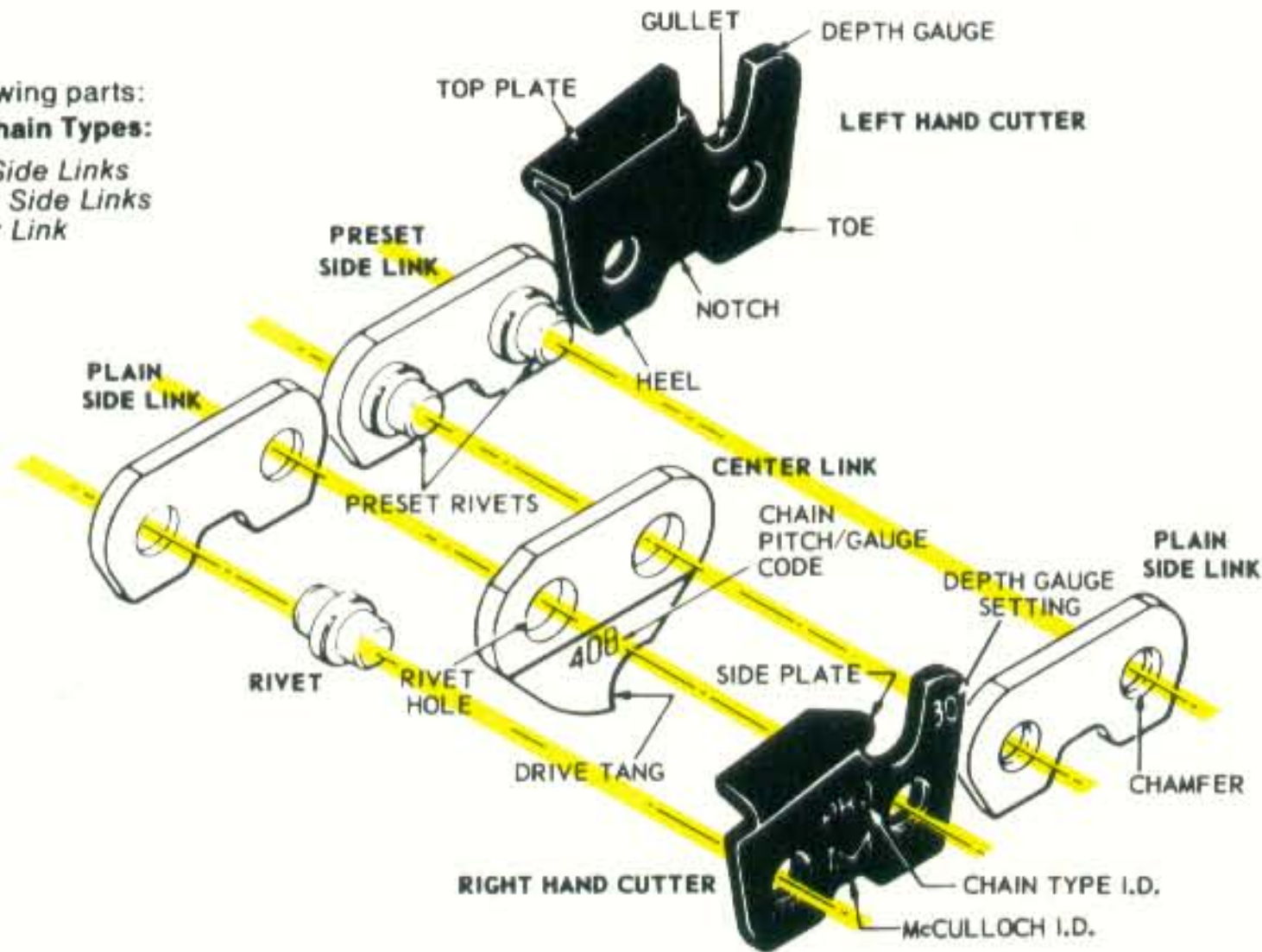
Each Chain Repair Kit consists of the following parts:

### Carbide-Tipped Chain:

- 6—Center Links
- 4—Plain Side Links
- 4—Preset Side Links
- 1—L.H. Cutter
- 1—R.H. Cutter

### All other Chain Types:

- 2—Plain Side Links
- 2—Preset Side Links
- 1—Center Link



## Chain Repair Parts

PLEASE NOTE: Reorder in multiples of 10 of each part. Add letter "Z" to part number. Example: 1-p/n 90165Z (equals 10 Rivets).

CURRENTLY ACTIVE CHAIN			Part No.					Repair Kit
CHAIN TYPE	Left-hand Cutter	Right-hand Cutter	Plain Side Link	Pre-set Side Link	Center Link	Rivet		
MM 370GL	90169	90170	90164	90166	214907	90165	214909	
MP 370GL	90466	90467	90164	90166	214907	90165	214909	
AS 370GL	92602	92603	90164	90166	213790	90165	213791	
PM 350	62501	62502	62504	62506	89516	62505	89558	
PM 370G	65074	65073	65076	65078	86598	65075	86600 ▲	
PM 403	65102	65103	65105	86603	86601	86602	86607	
PM 503	64970	64971	64972	64974	86608	64973	86610	
SM 250GL	88025	88026	88023	88024	88022	63570	92563	
SM 403	86656	86657	86658	86661	86669	86660	86671	
PGR 370G	94422	94421	94419	94420	94418	94417	94423	
SPR 370G	90211	90212	65076	65078	86598	65075	88007†	
SPR 378G	90211	90212	65076	65078	65097	65075	88008††	
SPR 400	86636	86637**	65105	65106	86628	65104	86634	
SPR 403	86636	86637**	65105	86603	86601	86602	86607	
SPS 403S	86629	86630	65105	86603	86601	86602	86607	
SPS 403SS								
<b>INACTIVE CHAIN</b>								
PM 250	88045	88046	88023	88024	88022	63570	92563	
PM 752	86614	86615	86612	86620	86611	86613	86627	
SM 370	86647	86648	65076	65078	86598	65075	86600	
SPS 400	86629	86630	65105	65106	86628	65104	86634	
SPS 400S								
SPS 400SS								
SPS 408	86629	86630	65105	65106	65101	65104	65107A	
SPS 408S								
SPS 408SS								
SPS 403	86629	86630	65105	86603	86601	86602	86607	
SPR 408	86636	86637**	65105	65106	65101	65104	65107A	
SPR 408S								
SPR 408SS								
SPR 403S	86636	86637**	65105	86603	86601	86602	86607	
SPR 403SS								
SPS 508	86641	86642**	64972	64974	64969	64973	64975A**	
SPS 508S								
SPS 508SS								
SPS 503	86641	86642**	64972	64974	86608	64973	86610	
SPS 503S								
SPS 503SS								
PMC 403*	91201*	91202*	65105	86603	86601	86602	91208*	

\*Subject to availability, repair parts for carbide-tipped chain need not be ordered in multiples of 10.

1 Contains 1 — "G" Link, p/n 88003  
†† Contains 1 — "G" Link, p/n 88004

▲ Contains 1 — "G" Link p/n 88003  
\*\* No longer available.

# Bar Mounting and Repair Parts

To use a PRO MAC Bar on a MAC-10 Series Saw:  
 1. Invert Bar Adjusting Nut on clutch guard so that tang is at the bottom  
 2. Install Spacer (p/n 87839) onto bar mounting bolts.  
 3. Replace original bar plates with Bar Plate Set (p/n 65172).

For use with McCulloch Bars:	MINI PRO MINI MAC MAC 6	MAC 10 SPEED MAC (All Direct Drives)	PRO MAC SPEED MAC (MAC 10 & 650 Gear Drives.)	PRO MAC SPEED MAC (All Gear Drives, except 650 & MAC 10 series)	MAC (Fat)	MAC (All Large Gear Drives)	SPEED MAC (All Large Direct Drive & Gear Drive saws)
<b>Bar Plates</b>	Part No.	Part No.	Part No.	Part No.	Part No.	Part No.	Part No.
L.H. Bar Plate	67588	64325	64935	64935	61995	89560	
R.H. Bar Plate	68673	64325	64935	64936*	61996	89561	
Set, Bar Plates	67667	64330	65172	65175	61994	89562	92020**
Oil Plate	90654						

\*Plated \*\*Spacer Kit, to be used with existing Bar Plates.

## Parts and Kits For Sprocket-Nose and Roller-Nose Bars

Speed Mac sprocket-nose bars			
FOR CHAIN:		Complete Nose Assembly	Sprocket & Bearing Kit
Pitch	Gauge	Part No.	Part No.
.354"	.058	86829	86852
.375"	.050/.058	86830	86854
.404"	.063/.058	86831	86855

10 Series sprocket-tip bars			
FOR CHAIN		Sprocket & Bearing Kit	
Pitch	Gauge	Part No.	
.375"	.050"	93667	To be used on bars P/N 214237 and 214238.

Super Pro roller-nose bars				FOR CHAIN SAW MODELS:
FOR CHAIN:		Roller Assembly Kit Diameter		
Gauge	Part No.	Inches	MM	
.050, .058	86912	2½"	64mm	MAC-10 Series
.058, .063	86913	2⅞"	74mm	Large Direct Drives and Gear Drives

## Replacement Rivets \*

Speed Mac sprocket-nose bars		Super Pro roller-nose bars	
FOR BAR:		FOR BAR:	Rivet
Pitch	Gauge	Nose Diameter:	Part No.
ALL		2½" 64mm 2⅞" 74mm	86926 86939
			86818

## Bar Mounting (Updating) Kit

For Model 33, Super 33, Mac 35A, 35 & 39	Part No.
Bar Clamp/Oil Plate	65781

\*Reorder in multiples-of-10 of each part. Add letter "Z" to part number. Example: 1-p/n 86818Z (equals 10 Rivets).

# Chain Maintenance Tools and Accessories

## FILE-N-JOINT



Part No. For use on chains:\*

214209 Pro Mac & Speed Mac MM, MP, AS, PGR\*, PM (Also sold in 3 Pack P/N 21240)\*

## MCCULLOCH FILES

Files	Size	For use on:	Quantity	Part No.
Round	1/8"	MM 370GL, MP 370GL, SM 250GL, PM 250	1 Doz. Twin Pack	67621W 84894
	* 5/32"	MM 370GL, MP 370GL, AS 370GL, SM 250GL, PM 350, PM 250	1 Doz. Twin Pack	62648W 214217**
	* 3/16"	PM 350, PM 358, PGR 370G	1 Doz. Twin Pack	56697W 214218**
	7/32"	PM 370G, PM 403, SM 403, SPR 370G, SPR 400, SPR 403, PM 378, PM 408, SM 370, SM 378, SM 408, SPR 378G, SPR 408	1 Doz. Twin Pack	56698W 91060
	1/4"	PM 508, PM 503	1 Doz. Twin Pack	56699W 91059
	9/32"	PM 568	1 Doz.	56928W
	5/16"	PM 752	1 Doz.	87926W
	6"	Depth Gauge File	1 Doz.	62622W
	6"	Depth Gauge File	One	84893
	8"	Depth Gauge File	1 Doz.	56701W

\*For optimum performance —

PM 250 Chain: Use 5/32" file on first 1/2 of cutter; use 1/8" file from then on.

PM 358 Chain: Use 3/16" file on first 1/2 of cutter; use 5/32" file from then on.

## SPACER (BAR MOUNTING)



Required when mounting Pro Mac Bar on the following saw models: SP 81/80, CP 70/55, PM 60/55, MAC-10, and PRO MAC Series direct drives. Use proper Pro Mac Bar Plate Set for saw model used. (e.g., p/n 65172 for MAC-10 Series saws.) Part No. 87839

## FILE GUIDES AND FILE\*



Part No. File Sizes

For 100, 300 Series, Mac, Mini Mac, PM6, PM 510 and SP 40 Chain Saws.

67750 \* 1/8", 5/32"  
214215\* \* 5/32"

For all saws except above listed:

86826 \* 7/32", 3/16", 1/4"\*  
214216\* \* 3/16", 7/32", 1/4"

\*File size included.

## DEPTH GAUGES



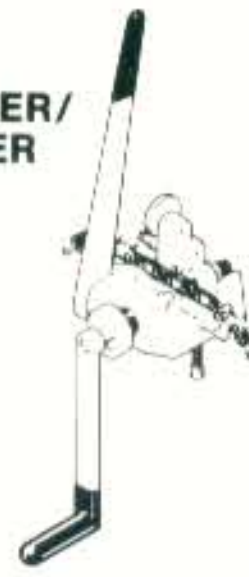
Sets depth gauges accurately to insure proper cutting, better use of chain saw's power. Gauge settings are in .005" increments.

Depth Gauge Settings	Part No.
.015-.020"	67688
.025-.030"	67680
.025-.030"	214214** P/N (Includes 6" Flat File)
.035-.040"	64198
.045-.050"	64359
.055-.060"	68400

## CONVERSION KITS

Part No.	Part No.
92635	92636
Fits 10 series saws with .050 gauge 16" bars	Fits 10 series saws with .058 gauge bars.
1 — Chain SPR 378G	1 — Chain SPR 378G
1 — Drum & Hub Part No. 86948	1 — Drum & Hub Part No. 86948
1 — Sprocket Part No. 86961	1 — Sprocket Part No. 86961

## SHOP CHAIN BREAKER/SPINNER



One simple, compact unit eliminates hammering and punching. To be used with most chain types, gauges, pitches — new or used. Puts factory finish on rivets in easy 2-step operation without taking chain out of unit.

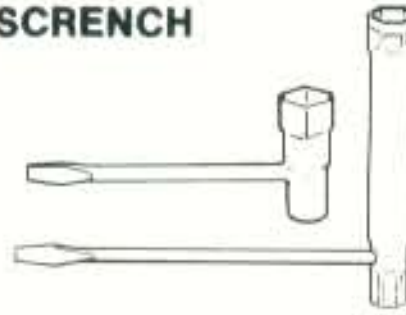
	Part No.
Complete Unit	91922
Replacement Parts:	
Breaker Plunger	91787
Spinner	90198
Anvil Clamp	90192
Cup Screw	90208

## GRINDER STONE (for Electric Grinder)



Sizes	Part No.
7/32"	104172Z
1/4"	103029Z
9/32"	103028Z
3/8"	101307Z

## SCRENCH



A combination SCREWdriver, bar bolt wrENCH, and spark plug wrENCH. Part No.

For Mac/Mini Mac (including Electric) Power Mac 6, Pro Mac 510 and Super Pro 40. 214219\*

For Power Mac 300 Series chain saws. 214220\*

For Pro Mac 600 Series chain saws. 214221\*

For Mac 10 Series Direct Drives. 63746

## SPARK PLUG AND DSP VALVE WRENCH



Fits all 5/8" spark plugs and 10 series DSP valves. Part No. 91485



Fits all 11/16" spark plugs and PM 105, SP 125 DSP valves. Part No. 36248A

## TOOL KITS



Everything you need to keep your chain in top cutting condition. Includes file guide, two files, file handle, depth gauge, Srench®.

100 Series, Mac/Mini Mac Power Mac 6, Pro Mac 510, SP 40 P/N 214211\*

300 Series P/N 214212\*

600 Series P/N 214213\*

## CHAIN SAW CARRYING CASES



CASES	Part No.
<b>MAC SERIES CASES</b> (for Mac, Mini Mac chain saws)	
Case with 12" scabbard	93283
Case with 14" scabbard	93282
<b>POWER MAC SERIES CASES</b> (for PM 310, PM 320)	
Case with 14" scabbard	94365
Case with 16" scabbard	94364
<b>PRO MAC SERIES CASES</b> (for PM 610, PM 650, PM 330, PM 340)	
Case with 16" scabbard	94367
Case with 20" scabbard	94121
<b>10-SERIES CASES</b> (for PM 10-10, PM 510)	
Case with 14" scabbard	93284
Case with 16" scabbard	93285
Case with 20" scabbard	94108

## BAR SCABBARDS



FOR MAC, MINI MAC, POWER MAC 300 SERIES	Bar Length	Scabbard Part No.
	10", 12"	214201*
	14"	92977
	16"	214202*

For Pro Mac 600 Series, 10 Series, PM 510 and SP 40.



Bar Length	Scabbard Part No.
14"	92976
16"	92977
20"	214203*



AUTO SHARP	Part No.
Grinder Assembly	214222*
Wheel Assembly	92587

\*Sold only in "V" Packs (multiples of 5) \*\*Sold only in "Z" Packs (multiples of 10)

## ACCESSORY SELECTION CHART

MODEL	CHAIN MAINTENANCE TOOLS			SPROCKET Part No.	BUCKING SPIKE Part No.	SCRENCH Part No.	CARRYING CASE WITH SCABBARD Part No.	SCABBARD ONLY Part No.
	Round File Twin Pack Part No.	File Guide Part No.	Depth Gauge with Flat File P/N					
MAC 110	214217	214215	214214	214199	***	214219	93283	214201
MAC 120	214217	214215	214214	214199	***	214219	93283	214201
POWER MAC 310	214217	214215	214214	214199	214207	214220	94365	214202
POWER MAC 320	214217	214215	*	214199	214207	214220	94364	214202
POWER MAC 330	214217	214215	214214	214199	214207	214220	94367	214202
POWER MAC 340	214217	214215	*	214199	214207	214220	94367	214202
PRO MAC 510	214217	214215	214214	85504	91735	214219	93285	214202
PRO MAC 610	214218	214216	214214	214200	214208	214221	94367-16" 94121-20"	214203
PRO MAC 650 P.U.O.	**	**	**	214200	214208	214221	94121	214203
PRO MAC 700 P.U.O.	**	**	**	214200	91967	63746	***	***
PRO MAC 800 P.U.O.	**	**	**	86942	91967	214221	***	***
PRO MAC 1000 P.U.O.	**	**	**	32302	32045	32257	***	***

\*Not required. \*\*Varies with chain type used. \*\*\*Not available.

## Accessory Merchandisers

### MODULAR MERCHANDISING SYSTEM FOR STANDARD GONDOLAS

The newly designed modular accessory system offers great flexibility to build your saw and accessory display exactly to your customers' liking.

- A. The saw display module fits in the standard 2' gondola and pegboard fixture found in virtually every retail store. The display module components attach directly to the in-store fixture creating an easy-to-set-up chain saw display.

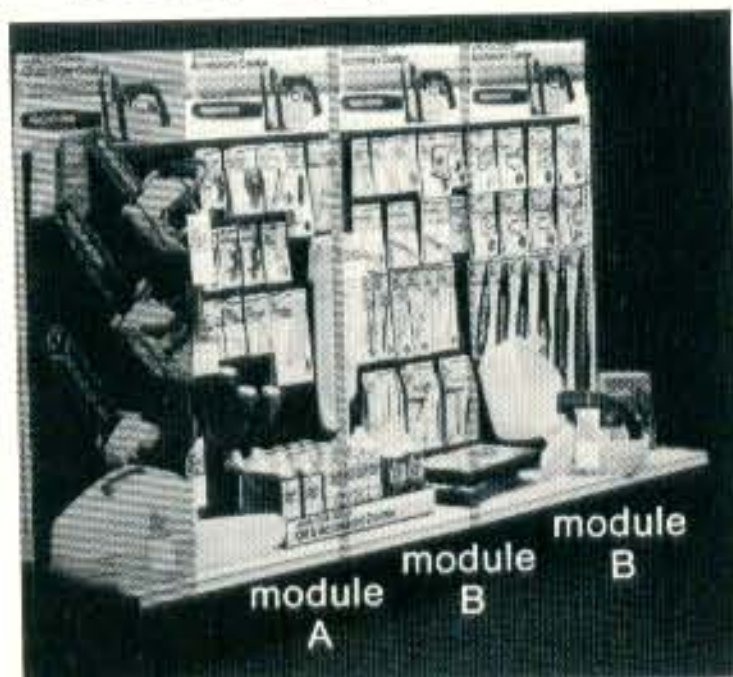
*Chain saw display module, P/N 214359, includes:*



- 1 Header card (chain saws)
- 1 Black vinyl backing
- 10 Canoe clips
- 3 Wire saw rack
- 1 Literature rack
- 1 Saw plan-a-gram
- 9 Hang tags
- 1 Instruction sheet
- 1 List of contents
- 1 Literature pack
- 2 Product handbooks
- 25 Full line stuffers

- B. There are two accessory display modules, module A and module B. Accessory display module A includes all custom designed wire fixtures to display items like oil, bars, and woodsplitters. It also includes the standard type components.

*Accessory display module A, P/N 214360, includes:*



- 1 Header card (accessories)
- 1 Black vinyl backing
- 10 Canoe clips
- 5 10" Butterfly hooks
- 12 6" Butterfly hooks
- 1 Wire bar rack
- 1 Wire woodsplitter rack
- 1 Wire oil rack
- 1 Accessory plan-a-gram
- 1 Bag of reorder tags (all McCulloch accessories)
- 1 Instruction sheet
- 1 List of contents

Accessory display module B is like module A except it has no custom designed wire rack for oil, bars and woodsplitters. A retailer planning on having a gondola display of two feet of accessories would want module A only. For a four foot accessory display both module A and B should be ordered. A retailer desiring a six foot accessory display would simply add one more module B, and so on.

*Accessory display module B, P/N 214338, includes:*

- 1 Header card (accessories)
- 1 Black vinyl backer
- 10 Canoe clips
- 5 10" Butterfly wires
- 12 6" Butterfly wires
- 1 6' display plan-a-gram (reduced size)
- 1 8' display plan-a-gram (reduced size)
- 1 Bag of reorder tags (all McCulloch accessories)
- 1 Instruction sheet
- 1 List of contents

### FREE-STANDING MERCHANDISER FOR MULTI-POSITION USAGE

- C. This four foot wide display can be adapted to a variety of in-store placements — end cap, island or wall positions anywhere in your store. It can be easily folded back to back to give two 2 foot wide sections as shown below.

*Free-standing merchandiser, P/N 214273 includes:*



- 1 Free standing display
- 1 Header card (accessories)
- 1 Header card (chain saws)
- 4 Wire saw racks
- 5 10" Butterfly hooks
- 12 6" Butterfly hooks
- 1 Wire woodsplitter rack
- 1 Plan-a-gram
- 1 Bag of reorder tags
- 1 Instruction sheet
- 1 List of contents

**OTHER DISPLAY MODULE COMBINATIONS**

D. The following display configurations can be ordered under one part number:

**P/N 214275 4' OF SAW AND ACCESSORY DISPLAYS**  
 1 Saw display module  
 1 Accessory display module A

**P/N 214336 6' OF SAW AND ACCESSORY DISPLAYS**  
 1 Saw display module  
 1 Accessory display module A  
 1 Accessory display module B

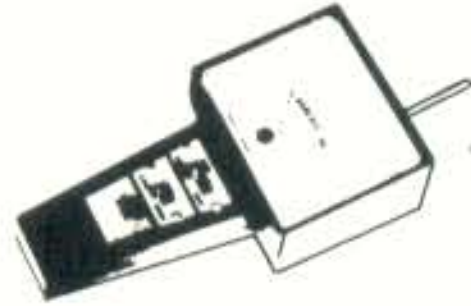
**P/N 214337 8' OF SAW AND ACCESSORY DISPLAYS**

1 Saw display module  
 1 Accessory display module A  
 2 Accessory display module B

E. The following individual saw and accessory display items are also available:

P/N	DESCRIPTION
96130	Header cards (chain saws)
96131	Header cards (accessories)
96132	Package of black vinyl backing and 10 canoe clips
96133	Package of 5-10" butterfly hooks and 12-6" butterfly hooks
96134	Package of 3 wire saw racks
96135	Wire oil organizer

**Accessories and Safety Equipment**



**TACHOMETER** (2 & 4 cycle, 0-15,000 rpm)  
 Part No. 91424



**LOCQUIC** (6oz.)  
 Part No. 69794  
 Catalyst to reduce cure time of loctite from hours to minutes.



**LOCTITE** (10cc)  
 Part No. 67537  
 Excellent liquid locking agent for screws, nuts and bolts.

**CHAIN, BAR & SPROCKET OIL**



Item	Part No.	Part No.
1 qt. plastic bottle	110631	87885 case of 12 Bottles
1 gallon plastic bottle	94819	94818 case of 6 Bottles

**GEAR OIL (SAE 140)**

Item	Part No.	Part No.
16 oz. Can	19342	104347 case of 24 Cans

**40:1 TWO-CYCLE CUSTOM LUBRICANT**



Item	Part No.	Part No.
6 oz. Can	85702	93770
6 Pack	85703	case of 48 cans
16 oz. Can	85705	85707
6 Pack	85706	case of 24 Cans
1 qt. plastic bottle	85708	85709 case of 12 Bottles
1 gallon plastic bottle	94817	94816 case of 6 Bottles
5 gallon Can	85710	
15 gallon Drum	85711	
30 gallon Drum	85712	
55 gallon Drum	85713	

**WEDGES**



Assists in controlling direction of tree fall. Prevents chain saw from binding in the cut.

Item	Part No.
5 1/2" Wedge	214197*
8 1/2" Wedge	214196*

**PAINT**

Item	Part No.	Part No.
Pressure Spray Can	Yellow	102449 12 oz. Can
	Black	103503 12 oz. Can
		102464 case of 12 Cans
		103400 case of 12 Cans

**LUBE GUNS**



A must for lubricating the nose bearings on Speed Mac and laminated sprocket tip bars.

Item	Part No.
Plastic Lube Gun (grease included)	214195*
Metal Lubri-Gun	214194*

**HEAD PROTECTION — Safety Hat**

Hat comes with GEOTEC II suspension and fits head sizes 6 1/2 to 8.



Jet-Cap, with "RAIN TROUGH" Yellow ..... Part No. CP66JC

**Safety Goggles**



Ventilated frame, clear lens ..... Part No. CP301

**Plastic Specs**



Clear plastic with side shield ..... Part No. CP7

**8" Protective Face Shield**



Adjustable plastic headgear with swivel visor ..... Part No. CPV-1584

**HEARING PROTECTION — Multi Purpose Ear Muffs**



Sponge filled cushions, adjustable crown strap ..... Part No. CP-155

\*Sold only in "V" Packs (multiples of 5)

Accessories and Safety Equipment (continued)

WOOD SPLITTER



This wood splitter splits wood into several pieces when driven into the center of a log. P/N 214210\*

\*Sold only in "V" packs (multiples of 5)

WORKBENCH MAINTENANCE KITS



100 Series P/N 214330 (also available in 3 pack—P/N96055)

300 Series P/N 214332 (also available in 3 pack—P/N96056)

600 Series P/N 214334 (also available in 3 pack—P/N96057)

Permanent tool kits of the accessories and tools needed to keep saws performing at peak efficiency. Comes complete with re-usable plastic trays for storing every tool, plus handy, flip-chart instruction books. There's one to fit 100, 300 and 600 Series saws. Each kit contains: file guide assembly, depth gauge, Srench®, flat file, lube gun, spark plug and 2 air filters.

SAFETY KIT



A compact, portable kit of the safety accessories no chain saw user should be without. Kit contains: one pair of safety goggles, a protective cap, two pairs of ear plugs, a pair of work gloves, a 5 1/2" wedge and 16" bar guard for 100 and 300 Series saws.

Safety Kit—P/N 95370

EAR PLUGS



These ear plugs effectively reduce dangerous noise levels and are both comfortable to wear and easy to use.

P/N 214198\*\*

\*\*Sold only in "Z" packs (multiples of 10)

PERFORMANCE KIT



300 Series Performance Kit—P/N 95698



600 Series Performance Kit—P/N 95712

Handy kits of the accessories needed to keep saws in top-running condition. For use with 300 and 600 Series saws. Each kit contains: two air filters, a spark plug, two 6-oz. cans of 40:1 Custom Lubricant, a file guide assembly, depth gauge and srench plus a 12-page instruction booklet, "How to Maintain Your Chain Saw, And Your Sanity."

BAR GUARD TOOL KIT



A new concept in chain saw accessories. A specially constructed 16" bar guard with tool kit built in. Acts as a bar guard for protection from a sharp chain while handling or carrying a chain saw. And provides easy access to the tools needed to keep a saw operating at peak performance. For use on all 300 Series saws. Tool kit includes: file guide assembly, Srench®, depth gauge, 6" flat file and disposable lube gun.

300 Series Bar Guard Tool Kit—P/N 95715

NOTES

Multiple horizontal lines for taking notes.



# NUMERICAL ORDER PARTS LIST

Part Number	Description
*36020B	Sprocket, 6T, .500" P
36644A	Sprocket, 7T, .500" P
*36790A	Sprocket, 6T, .562" P
36791A	Sprocket, 7T, .562" P
50128	Bushing-Sprocket
51774B	Drum Sprocket/Brg., 7T, .404" P
51775C	Drum/Sprocket Assy., 7T, .404" P
52069A	Sprocket, 7T, .404" P
52878	Drum Sprocket/Bush, 7T, .404" P
56442	Sprocket, 8T, .404" P
56697W	File — 3/16" RD Doz
56698W	File — 7/32" RD Doz
56699W	File — 1/4" RD Doz
56701W	File — 8" Flat Doz
56928W	File — 9/32" RD Doz
56929W	File — 3/8" RD Doz
60166	Shim-Sprocket Align. .018"
61692	Shim-Sprocket .020"
*61693	Shim-Sprocket .035"
61994	Bar Plate Set
61995	Plate-Bar LH
61996	Plate-Bar RH
*62125	Cutter-LH SM65 Carbide
*62126	Cutter-RH SM65 Carbide
*62131	Grinder Asy. Carbide
*62132	Block Asy.
*62501Z	Cutter-LH PM, .354" P
62502Z	Cutter-RH PM, .354" P
*62503Z	Link-Center PM, 358
62504Z	Link-Side PM, .354" P
*62505Z	Rivet-Chain PM, .354" P
62506Z	Link Assy-Side PM, .354" P
62507A	Kit-Chn Repair
*62575	Kit-Spare Prt SM65CARB
*62577	Disc/Shaft-Diamond
*62604	Drum Sprocket/Brg. 8T, .354" P
*62609	Drum Sprocket/Brg. 8T, .354" P
62662W	6" Flat Doz
62648W	File — 5/32" RD Doz
*62663	Prt-Spare Chn SM65/SSK
*62681	Bearing-Needle
*63570Z	Rivet-Chain, .250" P
63746	Scrench, Mac10 Series
64198	Depth Gauge, .035", .040"
64325	Plate-Bar Mac10, SM, SP
64330	Bar Plate Set, Mac10, SM, SP
64359	Depth Gauge, .045", .050"
*64483	Clamp-Anvil
64484	Plunger Chn
*64485	Spring-Breaker Plunger
*64487	Spring-Breaker Clamp
*64489	Handle-Breaker
*64496	Screw-Cap
64930A	Guard-Bar 20 in
64935	Plate-Slim Line Bar
64936	Plate-Bar RH Plated
*64969Z	Link-Center, 508 chains
64970Z	Cutter-LH, PM503, PM508
64971Z	Cutter-RH, PM503, PM508
64972Z	Link-Side, .500" P
64973Z	Rivet-Chain, .500" P
64974Z	Link Asy-Side, Preset, .500" P
64975A	Kit-Chn Repair PM508
65073Z	Cutter-RH, PM370, PM378
65074Z	Cutter-LH, PM370, PM378
65075Z	Rivet-Chain, .375" P
65076Z	Link-Side, .375" P
65078Z	Link Asy-Side, Preset, .375" P
65097Z	Link-Center, 378 chains
65101Z	Link-Center, 408 chains
65102Z	Cutter-LH, PM408, PM403
65103Z	Cutter-RH, PM408, PM403
*65104Z	Rivet 408 Chains
65105Z	Link-Side, .404" P
65106Z	Link Asy-Side Preset, 408 chains
65107A	Kit-Chn Repair, 408 chains
65172	Bar Guide Plate Set
65175	Bar Plate Set
65370	Sprocket, 7T, .354" P
*66970	Spinner
67588	Plate-Bar, LH Mac6
67621W	File — 1/8" RD Doz

Part Number	Description
67650	Bearing-Sprocket, Mac6
67667	Bar Plate Set, Mac6
67680	Depth Gauge, .025", .030"
67688	Depth Gauge, .015", .020"
*67704Z	Rivet Chain, PM568
*68400	Depth Gauge, .055", .060"
*68673	Bar Plate, RH Mac6
*69178	Spike Kit, Paddle Bow
*83124	Guard-Bar, Mac6
*84552	Spinner-Chain Breaker
84893	6" Flat File
84894	.125" RD File (Twin Pack)
85504	Package-Drum & Sprocket Assembly
85687	Wrench-Screwdriver
85702	Mc Custom Lube, 6 oz. can
85703	Mc Custom Lube, 6 oz. — 6 pack
85705	Mc Custom Lube, 16 oz. can
85706	Mc Custom Lube, 16 oz. — 6 pack
85707	Mc Custom Lube, 16 oz. — 24 can
85708	Mc Custom Lube, qt.
85709	Mc Custom Lube, qt., 12 bottles
85710	Mc Custom Lube, 5 gal. drum
85711	Mc Custom Lube, 15 gal. drum
85712	Mc Custom Lube, 30 gal. drum
85713	Mc Custom Lube, 55 gal. drum
86172	File Guide, 3/16" (File included)
86222	Bar, 31/32" Pro Mac, .063"
86224	Bar, 23/24" Pro Mac, .063"
86225	Bar, 19/20" Pro Mac, .063"
*86226	Bar, 17/19", Pro Mac, .063"
86235	Bar, 36/37" Mac, .063"
*86236	Bar, 30/32" Mac, .063"
*86237	Bar, 24/26" Mac, .063"
86341	Sprocket, 8T, .404" P
86342	Sprocket, 7T, .404" P
86344	Sprocket, 7T, .375" P
86366	Washer-Sprocket
86391	Drum/Sprocket, 7T, .375" P
86395	Washer, .050"
86514N	Chain SPS403S, 100 ft. pkg.
86522N	Chain SPR403, 100 ft. pkg.
86547N	Chain PM403, 100 ft. pkg.
86549N	Chain PM503, 100 ft. pkg.
86559N	Chain SM403, 100 ft. pkg.
86597	Kit-Chain Repair 378 chains
86598Z	Link-Center 370 chains
86600	Kit-Chain Repair 370 chains
86601Z	Link-Center SP403, PM403
86602Z	Rivet-Chain SP403, PM403
86603Z	Preset Side Link SP403, PM403
86607	Kit-Chain Repair SP403, PM403
86608Z	Link-Center 503 chains
86610	Kit-Chain Repair 503 chains
*86611Z	Link-Center PM752
*86612Z	Link-Side, PM752
*86613Z	Rivet-Chain, PM752
*86614Z	Cutter-LH PM752
*86615Z	Cutter-RH PM752
*86620Z	Preset-Side Link, PM752
86627	Kit-Chain Repair, PM752
*86628Z	Link-Center, SPS 400
*86629Z	Cutter-LH, SPS404
*86630Z	Cutter-RH, SPS404
86634	Kit-Chain Repair, SPR400, SPS400
86636Z	Cutter-LH, SPR404
86637Z	Cutter-RH, SPR404
*86641Z	Cutter-LH, SPS500
*86647Z	Cutter-LH, SM378
*86648Z	Cutter-RH, SM378
86656Z	Cutter-LH, SM404
86657Z	Cutter-RH, SM404
86658Z	Link-Side, SM404
*86659Z	Link-Center, SM408
86660Z	Rivet-Chain, SM404
86661Z	Preset-Side Link, SM404
86668	Kit-Chain Repair, SM408
86669Z	Link-Center, SM403
86671	Kit-Chain Repair, SM403
86818Z	Rivet, Nose, Speed Mac Bar
86826	Guide-File — 7/32" (File incl.)
*86829	Nose Assembly, SM Bar, .058", .354" P
86830	Nose Assembly, SM Bar, .058" / .050", .375" P

# NUMERICAL ORDER PARTS LIST

Part Number	Description	Part Number	Description
86831	Nose Assembly, SM Bar, .063" / .058", .404" P	89984N	Chain, SPR370G, 67.31" 92 CL
86846	Bar, 24" SM, .050", .375" P	89985N	Chain, SPR370G, 68.04" 93 CL
86847	Bar, 28" SM, .050", .375" P	90164Z	Link-Side, 370G
*86852	Kit-Nose Sprocket, .354" P, .050"	90165Z	Rivet-Chain, 370G
86854	Kit-Nose Sprocket, .375" P, .050"	90166Z	Link-Assembly-Side, 370G
*86855	Kit-Nose Sprocket, .404" P, .063"	90169Z	Cutter-LH, MM370G
*86874	Kit-Spike, Plunge Bow	90170Z	Cutter-RH, MM370G
86912	Kit-Super Pro Roller, 2 1/2" diam.	*90186	Guide Assembly-Breaker
86913	Kit-Super Pro Roller, 2 7/8" diam.	90192	Anvil
*86926Z	Rivet-Super Pro Roller, 2 1/2" diam.	*90194	Cam Breaker
*86939Z	Rivet-Super Pro Roller, 2 7/8" diam.	*90195	Handle Assembly-Spinner
86942	Drum/Sprocket, 7T, .375" P, 7SP	*90196	Handle-Spinner
86943	Drum/Sprocket, 8T, .375" P, 7SP	90198	Spinner Breaker
86944	Drum/Sprocket, 7T, .404" P, 7SP	*90199	Washer Breaker
86945	Drum/Sprocket, 7T, .354" P, 7SP	*90201	Screw Breaker
86949	Kit-Sprocket, 8T, .375" P	*90202	Washer
86950	Kit-Sprocket, 7T, .354" P	*90203	Washer
86951	Kit-Sprocket, 7T, .375" P	90205	Spring
86952	Drum/Sprocket Assembly, 8T, .375" P	90207	Spring
*86957	Drum/Sprocket Assembly, 8T, .404" P	90208	Cup Screw
87111	Bearing-Needle	90211Z	Cutter-LH, SPR, .375" P
87117N	Chain, PM403, 48.58" 60 CL	90212Z	Cutter-RH, SPR, .375" P
87118N	Chain, PM403, 52.62" 65 CL	90357	Drum/Sprocket Assembly, 8T, .404" P
87119N	Chain, PM403, 59.91" 74 CL	90358	Drum/Sprocket Assembly, 7T, .404" P
87278	Plate-Bar	90360	Bearing-Needle
87885	Oil C/B/S, qt. 12 bottle case	90431	Drum/Sprocket, 7T, .375" P
87926W	Files — 5/16" Dozen	90466Z	Cutter-LH MP370G
87953N	Chain, PM370G, 25 ft. pkg.	90467Z	Cutter-RH MP370G
87955N	Chain, PM370G, 100 ft. pkg.	*90590	Drum/Sprocket Assembly, 8T, .375" P
87975N	Chain, SPR403, 25 ft. pkg.	90631	Bar, 12" Mini Mac, .050"
88003Z	Link-Guard SPR370G	90770	Bar, 12" Mac6, .050"
88004Z	Link-Guard SPR378G	90771	Bar, 14" Mac6, .050"
88007	Kit-Repair SPR370G	90772	Bar, 16" Mac6, .050"
88008	Kit-Repair SPR378G	91059	Pkg.-File 1/4" (twin pack)
88022Z	Link-Center, .250" P	91060	Pkg.-File 7/32" (twin pack)
88023Z	Link-Side, .250" P	91208	Kit-Chain
88024Z	Link Assembly-Side, .250" P	91284	Bar, 33" SM, .050"
88025Z	Cutter-LH, SM250	*91301	Bar, 33" SM, .063"
88026Z	Cutter-RH, SM250	91324	Bar, 38" SM, .063"
*88045Z	Cutter-LH, SM250	91567	Guard-Bar MM
*88046Z	Cutter-RH, SM250	91613	Bar, 12" Mini Pro, .050, .250" P
88167N	Chain, PM370G, 43.90" 60 CL	91663	Bar, 14" Mini Pro, .050, .250" P
88172N	Chain, PM370G, 51.21" 70 CL	91730	Bar, 14" Mini Mac, .050"
88173N	Chain, PM370G, 51.95" 71 CL	91744Z	Link-Guard SM250G
88175N	Chain, PM370G, 59.26" 81 CL	*91767	Handle Assembly
88176N	Chain, PM370G, 62.19" 85 CL	*91779	Base Assembly Breaker
89151N	Chain, PM403, 25 ft. pkg.	91785	Pin Breaker
89152N	Chain, PM503, 25 ft. pkg.	91787	Punch-Breaker Large
89156N	Chain, SM403, 25 ft. pkg.	91788	Punch-Breaker Small
89173N	Chain, SPS403SS, 25 ft. pkg.	91875	Bar, 33" SM, .063"
89502	Bar, 16" Mac10, .050"	91922	Kit-Breaker/Spinner
89503	Bar, 20" Mac10, .050"	92020	Bar Spacer Plate
89504	Bar, 24" Mac10, .050"	92400	Kit-Nose Bar Sprocket, .375" P
89505	Bar, 28" Mac10, .050"	92563	Kit-Chain Repair SM250
89516Z	Link-Center PM350	92602Z	Cutter-LH AS370G
89521N	Chain, PM350, 42.23" 61 CL	92603Z	Cutter-RH AS370G
89522N	Chain, PM350, 43.94" 62 CL	92618N	Chain, SM250GL, 100 ft. pkg.
*89524N	Chain, PM350, 51.03" 72 CL	92619N	Chain, SM250GL, 25 ft. pkg.
89525N	Chain, PM350, 51.74" 73 CL	92620N	Chain, SM250GL, 32.00" 64 CL
89535N	Chain, PM350, 25 ft. pkg.	92621N	Chain, SM250GL, 36.00" 72 CL
89537N	Chain, PM350, 100 ft. pkg.	92623N	Chain, SM250GL, 27.50" 55 CL
89558	Kit-Chain Repair	92624N	Chain, SM250GL, 29.00" 58 CL
*89560	Plate-Bar LH	92625N	Chain, SM250GL, 33.50" 71 CL
*89561	Plate-Bar RH	92635	Kit-Conv 370 Sprocket/Chain
*89562	Bar Plate Set	92636	Kit-Conv 378 Sprocket/Chain
89901N	Chain, SPR378G, 100 ft. pkg.	92896	Scabbard Bar, 16"
89903N	Chain, SPR378G, 25 ft. pkg.	92913	Guard-Bar Scabbard Bar 14"
89909N	Chain, SPR378G, 43.90" 60 CL	92977	Scabbard-Bar 14"
89916N	Chain, SPR378G, 51.95" 71 CL	93282	Case Assembly-Carrying 14" MAC
89921N	Chain, SPR378G, 60.00" 82 CL	93283	Case Assembly-Carrying 12" MAC
89924N	Chain, SP378G, 62.92" 86 CL	93284	Case Assembly-Carrying 14" 10 Series
89968N	Chain, SPR370G, 100 ft. pkg.		
89970N	Chain, SPR370G, 25 ft. pkg.		
89973N	Chain, SPR370G, 43.17" 59 CL		
89974N	Chain, SPR370G, 43.90" 60 CL		
89978N	Chain, SPR370G, 51.21" 70 CL		
89979N	Chain, SPR370G, 51.95" 71 CL		
89981N	Chain, SPR370G, 59.26" 81 CL		
89982N	Chain, SPR370G, 60.00" 82 CL		

\*Subject to availability

# NUMERICAL ORDER PARTS LIST

Part Number	Description	Part Number	Description
93285	Case Assembly-Carrying 16" 10 Series	214210	Wood Splitter
93551N	Chain, PM370G, 60.00" 82 CL	214210V	Wood Splitter (5 pack)
93552N	Chain, PM370G, 68.04" 93 CL	214211	100 Series Tool Kit
93667	Sprocket, .375" P	214211V	100 Series Tool Kit (5 pack)
93770	Mc Custom Lube, 48-6 ounce can case	214212	300 Series Tool Kit
93778	Bar 20" SM, .050, .375" P	214212V	300 Series Tool Kit (5 pack)
93797	Wrench-Screw Driver	214213	600 Series Tool Kit
94019	Log Carrier (Dozen)	214213V	600 Series Tool Kit (5 pack)
94074	Bar 16" SM, .050, .375" P	214214	Depth Gauge, .025", .030"
94084	Bar 10" Mini, .050"	214214Z	Depth Gauge, .025", .030" (10 pack)
94108	Case Assembly-Carrying 20" 10 Series	214215	File Guide-100, 300, 500 Series
94121	Case Assembly-Carrying 20" Pro Mac	214215V	File Guide-100, 300, 500 Series (5 pack)
94233	Log Carrier (Single)	214216	File Guide-600 Series
94364	Case Assembly-Carrying 16" Power Mac	214216V	File Guide-600 Series (5 pack)
94365	Case Assembly-Carrying 14" Power Mac	214217	Pkg. File 5/32" Twin Pack
94367	Case Assembly-Carrying 16" Pro Mac	214217Z	Pkg. File 5/32" Twin Pack (10 pack)
94417Z	Rivet-Chain PGR370G	214218	Pkg. File 3/16" Twin Pack
94418Z	Link-Drive PGR370G	214218Z	Pkg. File 3/16" Twin Pack (10 pack)
94419Z	Strap-Tie PGR370G	214219	Scrench-100 Series
94420Z	Strap Assembly-Tie PGR370G	214219V	Scrench-100 Series (5 pack)
94421Z	Cutter-RH PGR370G	214220	Scrench-300 Series
94422Z	Cutter-LH PGR370G	214220V	Scrench-300 Series (5 pack)
94423	Kit-Repair Chain PGR370G	214221	Scrench-600 Series
94429N	Chain, PGR370G, 100 ft. pkg.	214221V	Scrench-600 Series (5 pack)
94431N	Chain, PGR370G, 25 ft. pkg.	214222	Pkg. Grinder Assembly A/S
94437N	Chain, PGR370G, 60.00" 81 CL	214222V	Pkg. Grinder Assembly A/S (5 pack)
94816	Mc Custom Lube, 6-1 gal. bottle case	214223	Spark Plug
94817	Mc Custom Lube, gallon	214223Z	Spark Plug-10 pack
94818	Oil, C/B/S gal., 6 bottle case	214224	Air Filter-100 Series
94819	Oil, C/B/S gallon	214224Z	Air Filter-100 Series (10 pack)
95370	Safety Kit	214225	Air Filter-300 Series
95698	300 Series Performance Kit	214225Z	Air Filter-300 Series (10 pack)
95712	600 Series Performance Kit	214226	Air Filter-600 Series
95715	Bar Guard/Tool Kit	214226Z	Air Filter-600 Series (10 pack)
96055	Workbench Maint. Kit-100 Series (3 pkg.)	214230N	Chain, AS370G, 40.25" 54 CL
96056	Workbench Maint. Kit-300 Series (3 pkg.)	214231N	Chain, PGR370G, 43.90" 59 CL
96057	Workbench Maint. Kit-600 Series (3 pkg.)	214232N	Chain, PGR370G, 51.95" 70 CL
101307Z	Stone-Grinding 3/8"	214233	Bar 10" Mini Pro, .050", .375" P
102464	Paint-Yellow-Case	214233V	Bar 10" Mini Pro, .050", .375" P (5 pack)
103028Z	Stone-Grinding 9/32"	214234	Bar 12" Mini Pro, .050", .375" P
103029Z	Stone-Grinding 1/4"	214234V	Bar 12" Mini Pro, .050", .375" P (5 pack)
103400	Paint-Black 12 can	214235	Bar 14" Mini Pro, .050", .375" P
104172Z	Stone-Grinding 7/32"	214235V	Bar 14" Mini Pro, .050", .375" P (5 pack)
110631	Oil, C/B/S, qt. bottle	214236	Bar 16" Mini Pro, .050", .375" P
110761	Screw-Plug	214236V	Bar 16" Mini Pro, .050", .375" P (5 pack)
200956	Screwdriver-HX 5/32	214237	Bar 16" Sprocket Tip, .050", .375" P
213791	Kit Repair AS370G	214237V	Bar 16" Sprocket Tip, .050", .375" P (5 pack)
214194	Deluxe Grease Gun	214238	Bar 20" Sprocket Tip, .050", .375" P
214194V	Deluxe Grease Gun (5 pack)	214238V	Bar 20" Sprocket Tip, .050", .375" P (5 pack)
214195	Lube Gun	214239N	Chain, SM 250GL, 40.00" 80 CL
214195V	Lube Gun (5 pack)	214240	File-N-Joint (3 pack)
214196	8 1/2" Wedge	214246	Chain, AS 370GL, 40.25" 54 CL (5 pack)
214196V	8 1/2" Wedge (5 pack)	214247	Chain, PGR 370G, 43.90" 59 CL (5 pack)
214197	5 1/2" Wedge	214248	Chain, PGR 370G, 51.95" 70 CL (5 pack)
214197V	5 1/2" Wedge (5 pack)	214249	Chain, SM 250GL, 40.00" 80 CL (5 pack)
214198	Ear Plugs	214306	"Your Chain Saw" Book
214198Z	Ear Plugs (10 pack)	214307	"Your Chain Saw" Book with Merchandiser (6 pack)
214199	Drum/Sprocket/Bearing, 6T, .375" P	214330	Workbench Maint. Kit-100 Series
214199V	Drum/Sprocket/Bearing, 6T, .375" P (5 pack)	214332	Workbench Maint. Kit-300 Series
214200	Drum/Sprocket, 7T, .375" P 7 SP	214334	Workbench Maint. Kit-600 Series
214200V	Drum/Sprocket, 7T, .375" P, 7 SP (5 pack)	214345	Bar, 16" Mini Pro, .050", .250" P
214201	Scabbard-Bar 12"	214345V	Bar, 16" Mini Pro, .050", .250" P (5 pack)
214201V	Scabbard-Bar 12" (5 pack)	214346	Air Filter-500 Series
214202	Scabbard-Bar 16"	214346Z	Air Filter-500 Series (10 pack)
214202V	Scabbard-Bar 16" (5 pack)	214654N	Chain, AS 370GL, 100 ft. pkg.
214203	Scabbard-Bar 20"	214655N	Chain, AS 370GL, 25 ft. pkg.
214203V	Scabbard-Bar 20" (5 pack)	214656N	Chain, AS 370GL, 35.95 49CL
214204	Spark Arrestor Screen-100,300 Series	214907	Link-Center 370GL
214204V	Spark Arrestor Screen-100,300 Series (5 pack)	214908N	Chain, MM 370GL, 100 ft. pkg.
214205	Spark Arrestor Screen-600 Series	214909	Kit-Repair Chain 370GL
214205V	Spark Arrestor Screen-600 Series (5 pack)	214910N	Chain, MM 370GL, 25 ft. pkg.
214207	Bucking Spike-300 Series	214911N	Chain, MP 370GL, 100 ft. pkg.
214207V	Bucking Spike-300 Series (5 pack)	214912N	Chain, MP 370GL, 25 ft. pkg.
214208	Bucking Spike-600 Series	214913N	Chain, MM 370GL, 35.87" 49 CL
214208V	Bucking Spike-600 Series (5 pack)	214913V	Chain, MM 370GL, 35.87" 49 CL (5 pack)
214209	File-N-Joint	214916N	Chain, MM 370GL, 32.18" 44 CL
		214916V	Chain, MM 370GL, 32.18" 44 CL (5 pack)
		214918N	Chain, MM 370GL, 27.81" 38 CL
		214918V	Chain, MM 370GL, 27.81" 38 CL (5 pack)
		214919N	Chain, MP 370GL, 35.87" 49 CL
		214919V	Chain, MP 370GL, 35.87" 49 CL (5 pack)
		214921N	Chain, MP 370GL, 32.18" 44 CL
		214921V	Chain, MP 370GL, 32.18" 44 CL (5 pack)
		214923N	Chain, MP 370GL, 27.81" 38 CL
		214923V	Chain, MP 370GL, 27.81" 38 CL (5 pack)
		214925N	Chain, MP 370GL, 40.25" 54 CL
		214925V	Chain, MP 370GL, 40.25" 54 CL (5 pack)

\*Subject to availability

  
Genuine  
**McCULLOCH**

# Tool Kit

200 series

300 series

This tool kit has everything you need for basic maintenance of McCulloch 200 and 300 series saws.

The **file guide** sharpens chains.

The **depth gauge**, used with the **flat file**, sharpens the depth gauge portion of the cutter.

Depth gauge and flat file not needed to maintain Auto-Sharp chain.

The **Scrench** sets proper chain tension, installs spark plugs, and does general maintenance.

And it all comes in a handy plastic pouch.

For all 200 and 300 series saws.

214212

McCulloch Corporation, Los Angeles, CA 90009

  
Genuine  
**McCULLOCH**

# Spike

600 series

Add this **Bucking Spike** to your chain saw for easier cutting control. It allows you to accurately maintain and leverage a cutting position when using your saw.

For all 600 series saws

214208

McCulloch Corporation, Los Angeles, CA 90009

 **McCULLOCH CORPORATION**  
Los Angeles, California 90009

