

# ILLUSTRATED PARTS LIST

## TILLOTSON CARBURETORS used on McCULLOCH Chain Saw & Kart Engines

### ■ foreword

This Illustrated Parts List covers all Tillotson Carburetors used on McCulloch Chain Saw and Kart Engines to date of publication. The individual lists are coded to show the complete usage of each part. For example, item 20 of Figure 1 is used on carburetors having the code letters "A", "B", "C" and "D" appearing in Figure 1 and is also used on carburetors having the code letters "E", "F", "G", "L", "M", "N" and "P" appearing elsewhere in this Parts List. Item 22 of Figure 1 is coded "A", "B", "C" and "D" and is also coded "ALL" indicating that this part is used on all carburetors in this Parts List. For your convenience, both McCulloch and Tillotson part numbers are given.

### ■ contents

McCulloch Part Number	Tillotson Carburetor	Page Number	Code
48730	HL63BX	6	H
48730A	HL93A	9	Q
48730B	HL93B	9	R
50687	HL63A	5	E
50687A	HL63B	5	E
50687B	HL63C	6	F
50687C	HL63D	6	G
51548	HL19B and HL19C	3	A
51984	HL19D	3	B
51984A	HL19D	3	C
51984B	HL19E	3	D
51984C	HL19F	3	S
55874	HL103A	6	M
55874A	HL103B	6	N
55874B	HL103C	6	P
57182	HL87A	6	J
57182A	HL87B	6	K
57182B	HL87C	6	L



Service Publications Department  
**McCULLOCH CORPORATION**  
 8101 West Century Boulevard, Los Angeles 45, California

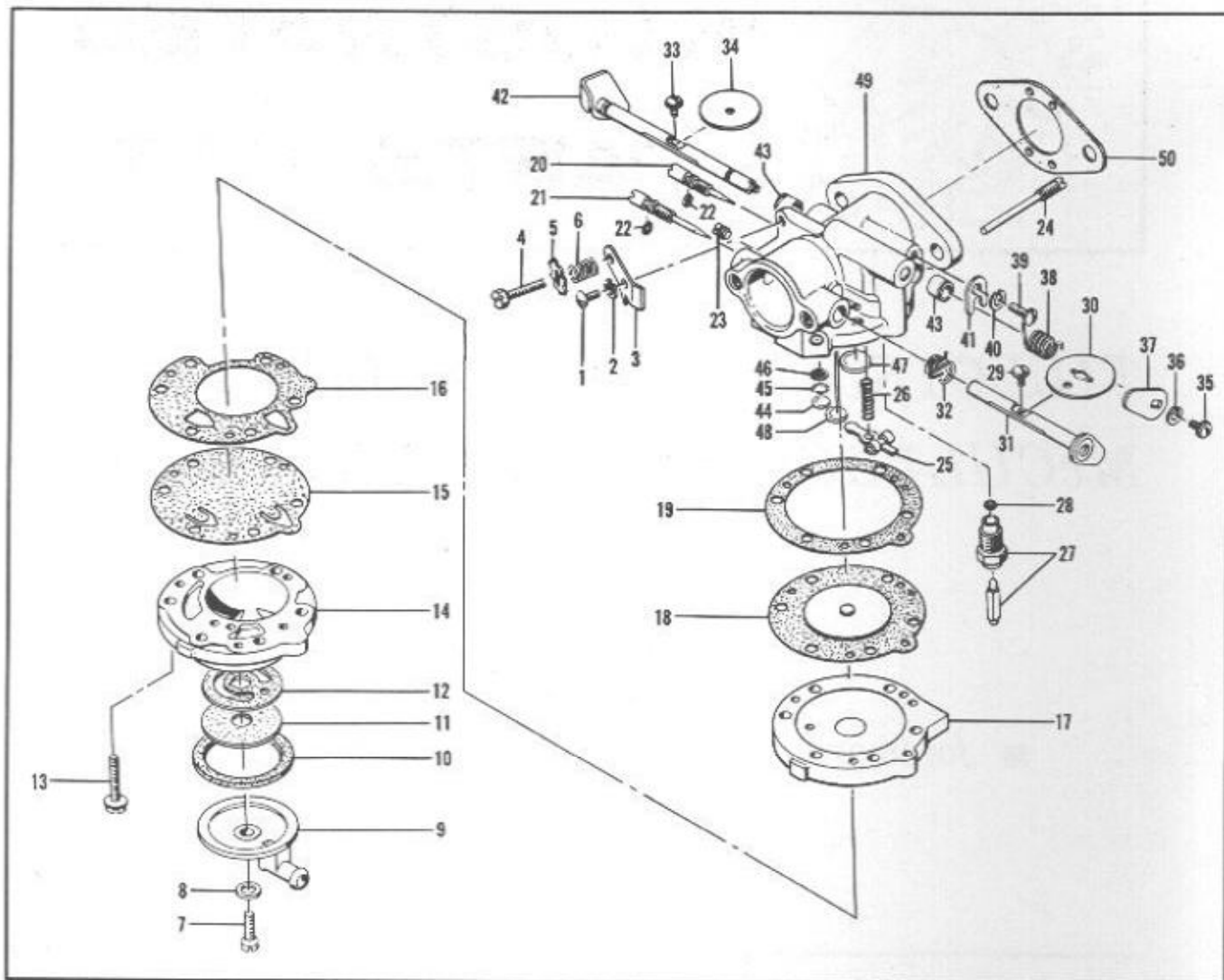


FIGURE 1. CARBURETORS, P/N 51548, 51984, 51984A, 51984B and 51984C

Index No.	McCulloch P/N	Name of Part	No. Req.	Used on These Codes	Also Used on Codes
Code: "A" indicates parts used on Carburetor P/N 51548 (HL19B and HL19C)					
"B" indicates parts used on Carburetor P/N 51984 (HL19D)					
"C" indicates parts used on Carburetor P/N 51984A (HL19D)					
"D" indicates parts used on Carburetor P/N 51984B (HL19E)					
"S" indicates parts used on Carburetor P/N 51984C (HL19F)					
"ALL" indicates parts used on all Carburetors in this Illustrated Parts List.					
51548		Tillotson Carburetor Assembly HL19B and HL19C (Replaced by P/N 51984) .....		A	
51984		Tillotson Carburetor Assembly HL19D (Replaced by P/N 51984A) .....		B	
51984A		Tillotson Carburetor Assembly HL19D (Very few units made - Replaced by P/N 51984B) .....		C	
51984B		Tillotson Carburetor Assembly HL19E (Replaces all above listed Carburetors) .		D	
51984C		Tillotson Carburetor Assembly HL19F (Will replace P/N 51984B but is not sold as an assembly - individual parts only are available).....		S	

FIGURE 1. CARBURETORS, P/N 51548, 51984, 51984A, 51984B AND 51984C (CONT)

Index No.	McCulloch P/N	Name of Part	No. Req.	Used on These Codes	Also Used on Codes
1	100362	Screw - Fil hd 8-32 x 3/8 in. lg	1	A,B,C,D,S	
2	100252	Lockwasher	1	A,B,C,D,S	
3	51706	Bracket - Idle adjustment	1	A,B,C,D,S	
4	*103845	Screw - Hex hd 8-32 x 5/8 in. lg	1	A,B,C,D,S	
5	*51549	Washer - Idle adjustment	1	A,B,C,D,S	
6	*51705	Spring - Idle speed	1	A,B,C,D,S	ALL
7	*51701	Screw - Fuel strainer cover	1	A,B,C	Q,R
	*50797	Screw - Fuel strainer cover	1	D,S	E, F, G, H, J, K, L, M, N, P
8	50798	Gasket - Cover screw	1	D,S	E, F, G, H, J, K, L, M, N, P
9	51599	Cover - Fuel strainer	1	A,B	Q,R
	50796	Cover - Fuel strainer	1	D,S	E, F, G, H, J, K, L, M, N, P
10	51704	Gasket - Fuel strainer	1	A,B,C,D,S	E, F, G, H, J, K, L, M, N, P
11	*51504	Element - Fuel strainer	1	A, B, C	
	*50795	Element - Fuel strainer	1	D	E, F, G, H, J, K, L, M, N, P
	*53717	Element - Fuel strainer	1	S	
12	53565	Gasket - Fuel filter	1	S	
13	51597	Screw - Fil hd 6-32 x 3/4 in. lg	6	A,B,C,D,S	ALL
14	51596	Body - Fuel pump	1	A,B	Q,R
	50670	Body - Fuel pump	1	D,S	E, F, G, H, J, K, L, M, N, P
15	51595	Diaphragm - Fuel pump (Not available - Order Diaphragm P/N 57574A)	1	A, B	Q
	51595A	Diaphragm - Fuel pump (Not available - Order Diaphragm P/N 57574A)	1	C	E, H, J, M, R
	57574	Diaphragm - Fuel pump (Not available - Order Diaphragm P/N 57574A)	1	D	F, G, K, L, N, P
	*57574A	Diaphragm - Fuel pump	1	S	ALL
16	51594	Gasket - Fuel pump	1	A,B,C,D,S	ALL
17	51592	Cover - Diaphragm	1	A,B,C,D,S	ALL
18	51590	Diaphragm Assembly - (Not available - Order Diaphragm P/N 51590A)	1	A,B,C,D	ALL
	*51590A	Diaphragm Assembly	1	A,B,C,D,S	ALL
19	51591	Gasket - Diaphragm (Not available - Order Gasket P/N 51591A)	1	A,B,C,D	ALL
	51591A	Gasket - Diaphragm	1	S	ALL
20	*51702	Needle - Idle adjustment	1	A,B,C,D,S	ALL
21	*51712	Needle - Main adjustment	1	A,B,C,D	E, F, G, L, M, N, P
	*53718	Needle Assy - Main adjustment	1	S	
22	51703	"O" Ring - Adjustment needle	2	A,B,C,D,S	E, F, G, H, J, K, L, M, N, P
23	51589	Screw	1	A,B,C,D,S	ALL
24	*51710	Pin - Fulcrum	1	A,B,C,D,S	ALL
25	*51709	Lever - Inlet control	1	A,B,C,D,S	ALL
26	*51711	Spring - Inlet tension	1	A,B,C,D,S	ALL
27	51707	Needle, Seat and Gasket Assembly (Not available - Order Needle, Seat and Gasket Assembly P/N 51707A)	1	A,B,C	E, F, H, J, K, M
	*51707A	Needle, Seat and Gasket Assembly	1	D,S	G, L, N, P
28	51708	Gasket - Inlet seat	1	A,B,C,D,S	ALL
29	*51721	Screw - Sems, 4-40 x 1 in. lg	1	A,B,C,D	G, M, N, P
30	51587	Shutter - Choke	1	A,B,C,D	E, F, G, H, M, N, P
	53813	Shutter - Choke	1	S	
31	51585	Shaft - Choke	1	A,B,C,D	N, P
	53814	Shaft Assembly - Choke	1	S	
32	51586	Spring - Choke shaft.. (Order P/N 55511)	1	A	G, N, P
	*55511	Spring - Choke shaft	1	B,C,D,S	E, F, H, M
33	*51721	Screw - Sems, 4-40 x 1 in. lg	1	A,B,C,D,S	E, F, G, H, J, K, L, M, N, P
34	51720	Shutter - Throttle	1	A,B,C,D,S	E, F, G, H, J, K, L, M, N, P
35	*51719	Screw - Throttle	1	A,B,C,D,S	E, F, G, H, J, K, L, M, N, P
36	*100261	Lockwasher - #4	1	A,B,C,D,S	E, F, G, H, J, K, L, M, N, P
37	51718	Lever - Throttle	1	A,B,C	
	57893	Lever - Throttle (Not available - Order P/N 57893A)	1	D	
	57893A	Lever - Throttle	1	S	
38	51593	Spring - Tension	1	A	

\*Indicates this part is contained in the Repair Parts Kit.

This list is continued on page 5

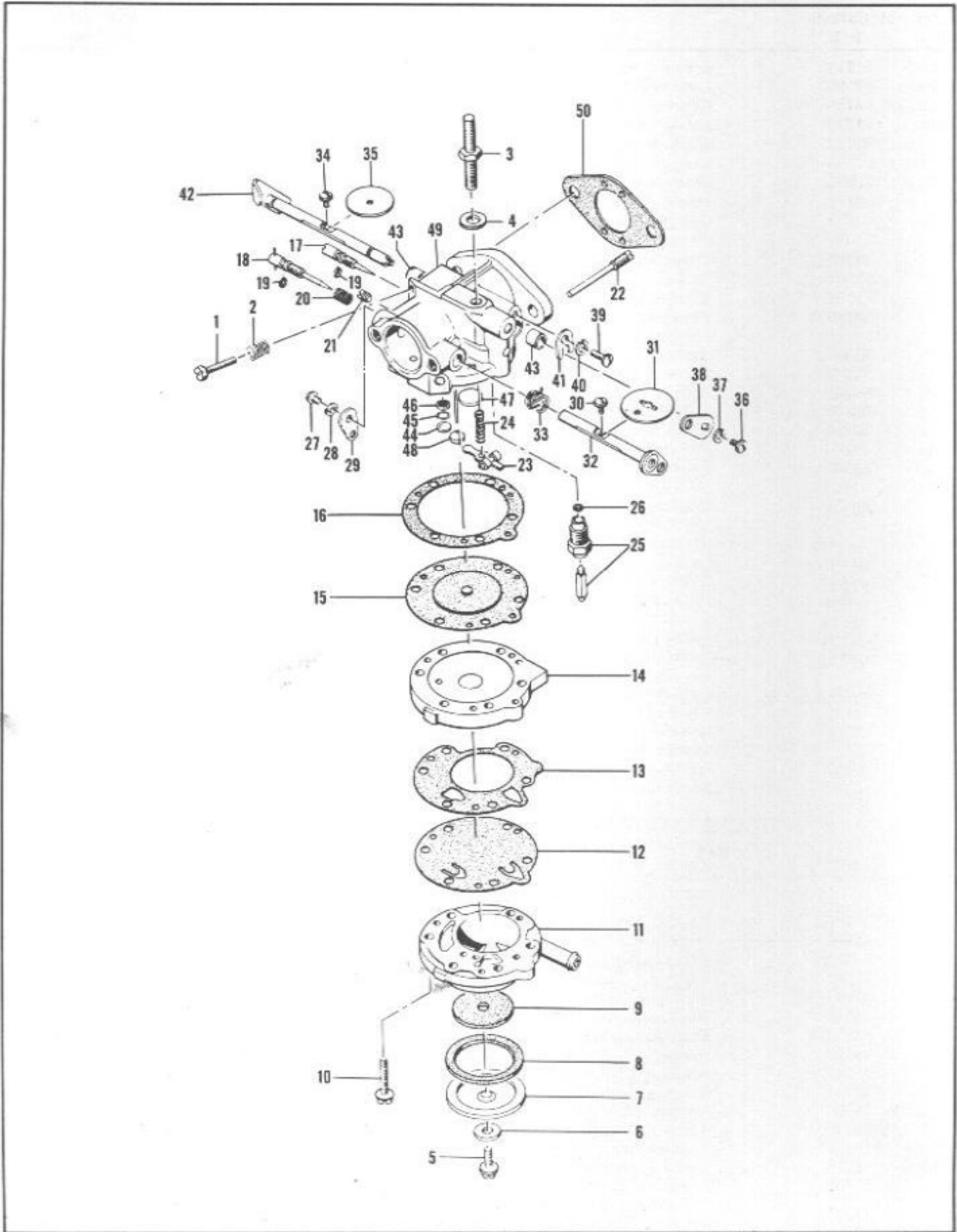


Figure 2. Carburetors, Part Number 50687, 50687A, 50687B, 50687C, 48730, 57182, 57182A, 57182B and 55874.

**FIGURE 1. CARBURETORS, P/N 51548, 51984, 51984A, 51984B AND 51984C (CONT)**

Index No.	McCulloch P/N	Name of Part	No. Req.	Used on These Codes	Also Used on Codes
39	51717	Screw - Throttle shaft	1	A,B,C,D,S	ALL
40	100252	Lockwasher	1	A,B,C,D,S	ALL
41	51716	Clip - Throttle shaft	1	A,B,C,D,S	ALL
42	51714	Shaft - Throttle	1	A	
	55512	Shaft Assembly - Throttle (Not available - Order P/N 53815)	1	B,C,D	
	53815	Shaft Assembly - Throttle	1	S	
	51588	Carburetor Body Assembly (Not available - Order Body Assembly P/N 51588B)	1	A	
	51588A	Carburetor Body Assembly (Not available - Order Body Assembly P/N 51588C)	1	B,C	
	51588B	Carburetor Body Assembly (Not available - Order P/N 51588C)	1	D	
	51588C	Carburetor Body Assembly	1	S	
43	51715	Bushing	2	A,B,C,D,S	ALL
44	*51582	Plug	1	A,B,C	E, F, H, J, K, M, Q, R
	*57653	Plug - Cup	1	D, S	G, L, N, P
45	57652	Ring - Retaining	1	D, S	G, L
46	57651	Screen - Carburetor body	1	D, S	G, L
47	*51583	Plug - Welch 3/8 in.	1	A, B, C, D, S	ALL
48	*51584	Plug - Welch 1/4 in.	1	A, B, C, D	E, F, G, H, J, K, L, M, N, P
	53718	Needle - Idle adjustment	1	S	
49		Body - Carburetor (Order Body Assembly P/N 51588C)	1	A, B, C, D, S	
50	51161C	Gasket - Carburetor	1	A, B, C, D, S	E, F, G, H, J, K, L, M, N, P
	*55513	Gasket and Packing Set	1	A, B, C	
	*50806	Gasket and Packing Set	1	D, S	E, F, G, H, J, K, L, M, N, P
	55514	Repair Parts Kit	1	A, B, C	
	53193	Repair Parts Kit	1	D	
	53719	Repair Parts Kit	1	S	

\*Indicates this part is contained in the Repair Parts Kit.

**FIGURE 2. CARBURETORS, P/N 50687, 50687A, 50687B, 50687C, 48730, 57182, 57182A, 57182B AND 55874**

Index No.	McCulloch P/N	Name of Part	No. Req.	Used on These Codes	Also Used on Codes
		Code: "E" indicates parts used on Carburetor P/N 50687 and 50687A (HL63A and HL63B).			
		"F" indicates parts used on Carburetor P/N 50687B (HL63C).			
		"G" indicates parts used on Carburetor P/N 50687C (HL63D).			
		"H" indicates parts used on Carburetor P/N 48730 (HL63BX).			
		"J" indicates parts used on Carburetor P/N 57182 (HL87A).			
		"K" indicates parts used on Carburetor P/N 57182A (HL87B).			
		"L" indicates parts used on Carburetor P/N 57182B (HL87C).			
		"M" indicates parts used on Carburetor P/N 55874 (HL103A).			
		"N" indicates parts used on Carburetor P/N 55874A (HL103B).			
		"P" indicates parts used on Carburetor P/N 55874B (HL103C).			
		"ALL" indicates parts used on all carburetors in this Illustrated Parts List.			
	50687	Tillotson Carburetor Assembly HL63A (Replaced by P/N 50687A)			
	50687A	Tillotson Carburetor Assembly HL63B (Replaced by P/N 50687B)		E	

This list is continued on page 6

**FIGURE 2. CARBURETORS, P/N 50687, 50687A, 50687B, 50687C,  
48730, 57182, 57182A, 57182B AND 55874 (CONT)**

Index No.	McCulloch P/N	Name of Part	No. Req.	Used on These Codes	Also Used on Codes
	50687B	Tillotson Carburetor Assembly HL63C (Very few units made - Replaced by P/N 50687C) .....		F	
	50687C	Tillotson Carburetor Assembly HL63D .....		G	
	48730	Tillotson Carburetor Assembly HL63BX (Replaced by P/N 48730A - See figure 3) .....		H	
	57182	Tillotson Carburetor Assembly HL87A (Replaced by P/N 57182A) .....		J	
	57182A	Tillotson Carburetor Assembly HL87B (Very few units made - Replaced by P/N 57182B) .....		K	
	57182B	Tillotson Carburetor Assembly HL87C .....		L	
	55874	Tillotson Carburetor Assembly HL103A (Replaced by P/N 55874A) .....		M	
	55874A	Tillotson Carburetor Assembly HL103B (Replaced by P/N 55874B) .....		N	
	55874B	Tillotson Carburetor Assembly HL103C .....		P	
1	*50799	. Screw - Idle speed regulating .....	1		E, F, G, H, J, K, L, M, N, P
2	*51705	. Spring - Idle speed .....	1	ALL	E, F, G, H, J, K, L, M, N, P
3	50785	. Stud - Air cleaner attaching .....	1		E, F, G, J, K, L
4	50786	. Gasket - Air cleaner attaching stud (Not available - order Gasket P/N 50786A) .....	1		E, J
	50786A	. Gasket - Air cleaner attaching stud .....	1		G, L
5	*50797	. Screw - Fuel strainer cover retaining ..	1	D	E, F, G, H, J, K, L, M, N, P
6	50798	. Gasket - Fuel strainer cover retaining .....	1	D	E, F, G, H, J, K, L, M, N, P
7	50796	. Cover - Fuel strainer .....	1	D	E, F, G, H, J, K, L, M, N, P
8	51704	. Gasket - Fuel strainer .....	1	A, B, C, D	E, F, G, H, J, K, L, M, N, P
9	*50795	. Element - Fuel strainer .....	1	D	E, F, G, H, J, K, L, M, N, P
10	51597	. Screw - Fil hd 6-32 x 3/4 in. lg .....	6	ALL	E, F, G, H, J, K, L, M, N, P
11	50670	. Body - Fuel pump .....	1	D	E, F, G, H, J, K, L, M, N, P
12	51595A	. Diaphragm - Fuel pump (Not available - Order Diaphragm P/N 57574) ..	1	C	E, H, J, M
	*57574	. Diaphragm - Fuel pump .....	1	D	F, G, K, L, N, P
13	51594	. Gasket - Fuel pump .....	1	ALL	E, F, G, H, J, K, L, M, N, P
14	51592	. Cover - Diaphragm .....	1	ALL	E, F, G, H, J, K, L, M, N, P
15	*51590	. Diaphragm .....	1	ALL	E, F, G, H, J, K, L, M, N, P
16	51591	. Gasket - Diaphragm .....	1	ALL	E, F, G, H, J, K, L, M, N, P
17	*51702	. Needle - Idle adjustment .....	1	A, B, C, D	E, F, G, L, M, N, P
	55645	. Needle - Idle adjustment (Includes "O" Ring P/N 51703) .....	1		H, J, K
18	*51712	. Needle - Main adjustment .....	1	A, B, C, D	E, F, G, L, M, N, P
	48731	. Needle - Main adjustment .....	1		H
	55644	. Needle - Main adjustment (includes "O" Ring P/N 51703) .....	1		J, K
19	51703	. "O" Ring - Adjustment needle .....	2	A, B, C, D	E, F, G, H, J, K, L, M, N, P
20	48741	. Spring - Main adjustment needle .....	1		H
21	51589	. Screw .....	1	ALL	E, F, G, H, J, K, L, M, N, P
22	*51710	. Pin - Fulcrum .....	1	ALL	E, F, G, H, J, K, L, M, N, P
23	*51709	. Lever - Inlet control .....	1	ALL	E, F, G, H, J, K, L, M, N, P
24	*51711	. Spring - Inlet tension .....	1	ALL	E, F, G, H, J, K, L, M, N, P
25	51707	. Needle, Seat and Gasket Assembly (Not available - Order Assembly P/N 51707A) .....	1	A, B, C	E, F, H, J, K, M
	*51707A	. Needle, Seat and Gasket Assembly .....	1	D	G, L, N, P
26	51708	. Gasket - Inlet seat .....	1	ALL	E, F, G, H, J, K, L, M, N, P
27	51719	. Screw - Choke .....	1		E, H
	51721	. Screw - Sems .....	1		G, M, N, P
28	100281	. Lockwasher - No. 4 .....	1	A, B, C, D	E, H

\*Indicates this part is also contained in Repair Parts Kit.

This list is continued on page 7

**FIGURE 2. CARBURETORS, P/N 50687, 50687A, 50687B, 50687C,  
48730, 57182, 57182A, 57182B AND 55874 (CONT)**

Index No.	McCulloch P/N	Name of Part	No. Req.	Used on These Codes	Also Used on Codes
29	51546	Lever - Choke .....	1		E, H
30	51721	Screw - Sems .....	1	A, B, C, D	E, H, M
31	51587	Shutter- Choke .....	1	A, B, C, D	E, F, G, H, M, N, P
32	50789	Shaft and Lever - Choke .....	1		E, F, G, H, M
	51585	Shaft Assembly - Choke .....	1	A, B, C, D	N, P
33	*55511	Spring - Torsion choke shutter retaining .....	1	D	E, F, H, M
	51586	Spring - Torsion choke shutter retaining .....	1	A, B, C	G, N, P
34	*51721	Screw - Sems .....	1	A, B, C, D	E, F, G, H, J, K, L, M, N, P
35	51720	Shutter - Throttle .....	1	A, B, C, D	E, F, G, H, J, K, L, M, N, P
36	*51719	Screw - Throttle .....	1	A, B, C, D	E, F, G, H, J, K, L, M, N, P
37	*100261	Lockwasher - No. 4 .....	1	A, B, C, D	E, F, G, H, J, K, L, M, N, P
38	50804	Lever - Throttle .....	1		E, F, G, H, J, K, L, M, N, P
39	51717	Screw - Throttle shaft .....	1	ALL	E, F, G, H, J, K, L, M, N, P
40	100252	Lockwasher .....	1	ALL	E, F, G, H, J, K, L, M, N, P
41	51716	Clip - Throttle shaft .....	1	ALL	E, F, G, H, J, K, L, M, N, P
42	50803	Throttle shaft and Lever .....	1		E, F, G, H, J, K, L, M, N, P
	50779A	Carburetor Body Assembly (Not available - Order Body Assembly P/N 50779B) .....	1		E, F
	50779B	Carburetor Body Assembly .....	1		G
		Carburetor Body Assembly (Not available - See Bulletin K102) .....	1		H
	57282	Carburetor Body Assembly (Not available - Order Body Assembly P/N 57282A) .....	1		J, K
	57282A	Carburetor Body Assembly .....	1		L
	55880	Carburetor Body Assembly (Not available - Order Body Assembly P/N 55880A) .....	1		M, N
	55880A	Carburetor Body Assembly .....	1		P
43	51715	Bushing .....	2	ALL	E, F, G, H, J, K, L, M, N, P
44	*51582	Plug .....	1	A, B, C, Q, R	E, F, H, J, K, M
	57653	Plug .....	1	D	G, L, N, P
45	57652	Ring - Retaining .....	1	D	G, L
46	57651	Screen - Carburetor body .....	1	D	G, L
47	*51583	Plug - Welch 3/8 in. ....	1	ALL	E, F, G, H, J, K, L, M, N, P
48	*51584	Plug - Welch 1/4 in. ....	1	A, B, C, D	E, F, G, H, J, K, L, M, N, P
49		Body - Carburetor (Order Body Assembly P/N 50779B) ..	1		E, F, G
		Body - Carburetor (Not available - See Bulletin K102) .....	1		H
		Body - Carburetor (Order Body Assembly P/N 57282A) ..	1		J, K, L
		Body - Carburetor (Order Body Assembly P/N 55880A) ..	1		M, N, P
50	51161C	Gasket - Carburetor .....	1	A, B, C, D	E, F, G, H, J, K, L, M, N, P
	*50806	Gasket and Packing Set .....	1	D	E, F, G, H, J, K, L, M, N, P
	50807	Repair Parts Kit .....	1		E, F, G, H, J, K, L, M, N, P

\*Indicates this part is contained in the Repair Parts Kit.

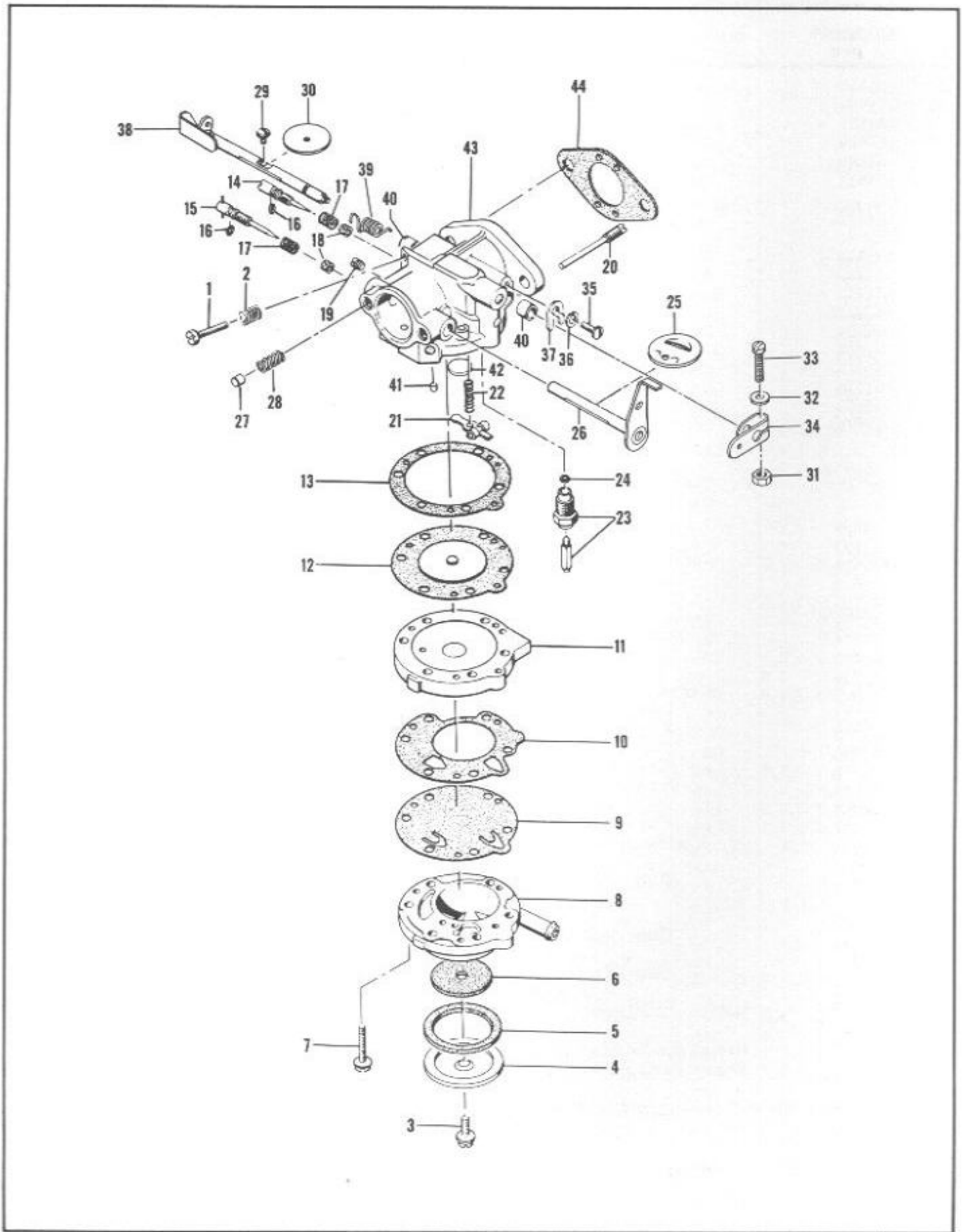


Figure 3. Carburetors Part Number 48730A and 48730B



**FIGURE 3. CARBURETORS, P/N 48730A AND 48730B**

Index No.	McCulloch P/N	Name of Part	No. Reg.	Used on These Codes	Also Used on Codes
	48730A	Tillotson Carburetor Assembly HL93A (Replaced by P/N 48730B) .....		Q	
	48730B	Tillotson Carburetor Assembly HL93B (Replaced by McCulloch Carburetor P/N 48811) .....		R	
1	*48767	. Screw - Idle speed regulating .....	1	Q,R	
2	*51705	. Spring - Idle speed .....	1	Q,R	ALL
3	*51701	. Screw - Fuel strainer cover .....	1	Q,R	A,B
4	51599	. Cover - Fuel strainer .....	1	Q,R	A,B
5	48762	. Gasket - Fuel strainer cover .....	1	Q,R	
6	*48761	. Screen - Fuel strainer .....	1	Q,R	
7	51597	. Screw - Fil hd 6-32 x 3/4 in. lg .....	6	Q,R	ALL
8	51596	. Body - Fuel pump .....	1	Q,R	A,B
9	51595	. Diaphragm - Fuel pump (Not available - Order Diaphragm P/N *57574) .....	1	Q	A,B
	51595A	. Diaphragm - Fuel pump (Not available - Order Diaphragm P/N *57574) .....	1	R	C,E,H,J,M,R
10	51594	. Gasket - Fuel pump .....	1	Q,R	ALL
11	51592	. Cover - Diaphragm .....	1	Q,R	ALL
12	*51590	. Diaphragm .....	1	Q,R	ALL
13	51591	. Gasket - Diaphragm .....	1	Q,R	ALL
14	*48763	. Screw - Idle adjustment .....	1	Q,R	
15	*48769	. Screw - Main adjustment .....	1	Q,R	
16	*48771	. Washer - Adjustment screw .....	2	Q,R	
17	*48770	. Spring - Adjustment screw .....	2	Q,R	
18	48772	. Packing - Adjustment screw .....	2	Q,R	
19	51589	. Screw .....	1	Q,R	ALL
20	*51710	. Pin - Fulcrum .....	1	Q,R	ALL
21	*51709	. Lever - Inlet control .....	1	Q,R	ALL
22	*51711	. Spring - Inlet tension .....	1	Q,R	ALL
23	*48768	. Needle, Seat and Gasket - Inlet .....	1	Q,R	ALL
24	51708	. Gasket - Inlet seat .....	1	Q,R	ALL
25	48757	. Shutter - Choke .....	1	Q,R	
26	48756	. Shaft and Lever - Choke .....	1	Q,R	
27	48758	. Pin - Choke friction .....	1	Q,R	
28	48759	. Spring - Choke friction .....	1	Q,R	
29	*48780	. Screw and Lockwasher - Throttle shutter .....	1	Q,R	
30	48779	. Shutter - Throttle .....	1	Q,R	
31	48778	. Nut - Throttle lever retaining screw ..	1	Q,R	
32	48777	. Washer - Throttle lever retaining screw .....	1	Q,R	
33	48776	. Screw and Lockwasher - Throttle lever retaining .....	1	Q,R	
34	48775	. Lever - Throttle .....	1	Q,R	
35	51717	. Screw - Throttle shaft .....	1	Q,R	ALL
36	100252	. Lockwasher .....	1	Q,R	ALL
37	51716	. Clip - Throttle shaft .....	1	Q,R	ALL
38	48773	. Shaft and Lever - Throttle .....	1	Q,R	
39	*48774	. Spring - Throttle shaft return .....	1	Q,R	

\*Indicates this part is contained in Repair Parts Kit.

This list is continued on page 10

**FIGURE 3. CARBURETORS, P/N 48730A AND 48730B (CONT)**

Index No.	McCulloch P/N	Name of Part	No. Req.	Used on These Codes	Also Used on Codes
	48782	Carburetor Body Assembly .....	1	Q,R	
40	51715	Bushing .....	2	Q,R	ALL
41	*51582	Plug .....	1	Q,R	A,B,C,E,F,H,J,K,M
42	*51583	Plug - Welch 3/8 in. ....	1	Q,R	ALL
43		Body - Carburetor (Not available - Order Body Assembly P/N 48782) ..	1	Q,R	
44	48760	Gasket - Flange .....	1	Q,R	
	*48781	Gasket and Packing Set .....	1	Q,R	
	48784	Repair Parts Kit .....	1	Q,R	

\*Indicates this part is contained in Repair Parts Kit.

**TABLE SHOWING TILLOTSON CARBURETOR USAGE**

McCulloch Part No.	Tillotson Part No.	Used on Models	Remarks
48730	HL63BX	MC-5	First 6000 units only. Replaced by 48730A (HL93A).
48730A 48730B	HL93A	MC-5, MC-6	Serial MC-5 6001 and up. Used as replacement for 48730A. Used on early MC-6 engines. Replaced by McCulloch Carburetor 48811.
50687 50687A 50687B 50687C	HL63A HL63B HL63C HL63D	D-30, D-36, 1-40, 1-50, 1-60, 1-51, 1-61, 1-52, 1-62	These carburetors are similar but not alike. Use 50687C (HL63D) as replacement.
51548	HL19B and HL19C	D44, S44, 55, S55	Replaced by 51984 (HL19D).
51984 51984A	HL19D	S44A, S55A	Replaced by 51984B (HL19E).
51984B	HL19E	1-72, 1-82, 1-85	Used as replacement for 51548 (HL19B and HL19C) and 51984 and 51984A (HL19D).
55874 55874A 55874B	HL103A HL103B HL103C	1-71, 1-81	Use 55874B (HL103C) as replacement.
57182 57182A	HL87A HL87B	1-41	Replaced by 57182B (HL87C).
57182B	HL87C	1-42	Use as replacement for 57182 (HL87A) and 57182A (HL87B).