

ILLUSTRATED PARTS LIST

TILLOTSON CARBURETORS used on McCULLOCH Chain Saw & Kart Engines

■ foreword

This Illustrated Parts List covers all Tillotson Carburetors used on McCulloch Chain Saw and Kart Engines to date of publication. The individual lists are coded to show the complete usage of each part. For example, item 20 of Figure 1 is used on carburetors having the code letters "A", "B", "C" and "D" appearing in Figure 1 and is also used on carburetors having the code letters "E", "F", "G", "L", "M", "N" and "P" appearing elsewhere in this Parts List. Item 22 of Figure 1 is coded "A", "B", "C" and "D" and is also coded "ALL" indicating that this part is used on all carburetors in this Parts List. For your convenience, both McCulloch and Tillotson part numbers are given.

■ contents

| McCulloch Part Number | Tillotson Carburetor | Page Number | Code |
|-----------------------|----------------------|-------------|------|
| 48730 | HL63BX | 6 | H |
| 48730A | HL93A | 9 | Q |
| 48730B | HL93B | 9 | R |
| 50687 | HL63A | 5 | E |
| 50687A | HL63B | 5 | E |
| 50687B | HL63C | 6 | F |
| 50687C | HL63D | 6 | G |
| 51548 | HL19B and HL19C | 3 | A |
| 51984 | HL19D | 3 | B |
| 51984A | HL19D | 3 | C |
| 51984B | HL19E | 3 | D |
| 55874 | HL103A | 6 | M |
| 55874A | HL103B | 6 | N |
| 55874B | HL103C | 6 | P |
| 57182 | HL87A | 6 | J |
| 57182A | HL87B | 6 | K |
| 57182B | HL87C | 6 | L |



Service Publications Department
McCULLOCH CORPORATION
 6101 West Century Boulevard, Los Angeles 45, California

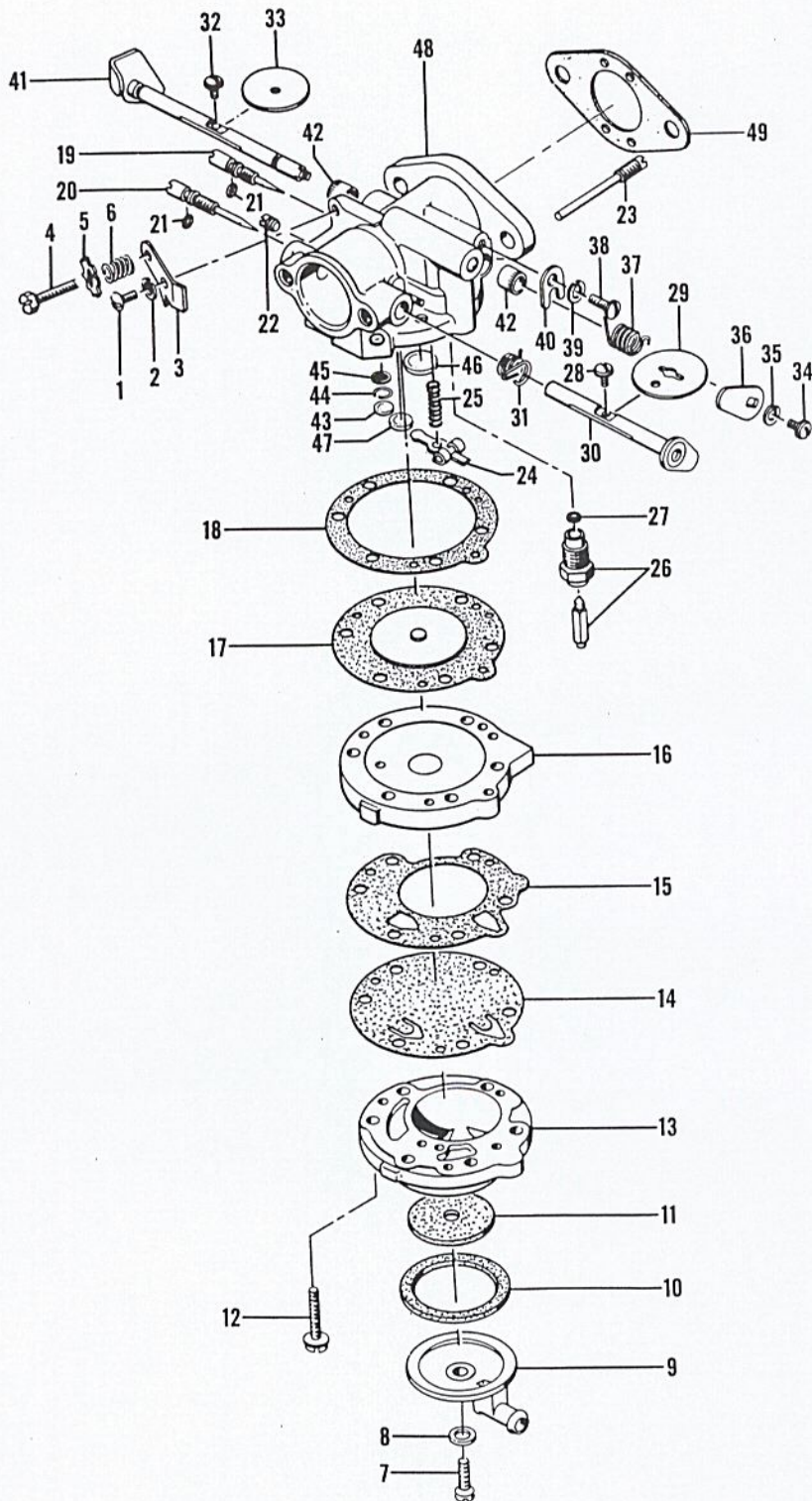


Figure 1. Carburetors, Part Numbers 51548, 51984, 51984A and 51984B

FIGURE 1. CARBURETORS, P/N 51548, 51984, 51984A AND 51984B

| Index No. | McCulloch P/N | Name of Part | No. Req. | Used on These Codes | Also Used on Codes |
|-----------|---------------|--|----------|---------------------|---------------------|
| | | Code: "A" indicates parts used on Carburetor P/N 51548 (HL19B and HL19C). | | | |
| | | "B" indicates parts used on Carburetor P/N 51984 (HL19D). | | | |
| | | "C" indicates parts used on Carburetor P/N 51984A (HL19D). | | | |
| | | "D" indicates parts used on Carburetor P/N 51984B (HL19E). | | | |
| | | "ALL" indicates parts used on all Carburetors in this Illustrated Parts List. | | | |
| | 51548 | Tillotson Carburetor Assembly HL19B and HL19C (Replaced by P/N 51984)... | | A | |
| | 51984 | Tillotson Carburetor Assembly HL19D (Replaced by P/N 51984A) | | B | |
| | 51984A | Tillotson Carburetor Assembly HL19D (Very few units made - Replaced by P/N 51984B) | | C | |
| | 51984B | Tillotson Carburetor Assembly HL19E (Replaces all above listed carburetors) | | D | |
| 1 | 100362 | . Screw - Fil hd mach 8-32 x 3/8 in. lg. | 1 | A,B,C,D | |
| 2 | 100252 | . Lockwasher | 1 | A,B,C,D | |
| 3 | 51706 | . Bracket - Idle adjustment | 1 | A,B,C,D | |
| 4 | *103845 | . Screw - Hex hd 8-32 x 5/8 in. lg | 1 | A,B,C,D | |
| 5 | *51549 | . Washer - Idle adjustment | 1 | A,B,C,D | |
| 6 | *51705 | . Spring - Idle speed | 1 | A,B,C,D | ALL |
| 7 | *51701 | . Screw - Fuel strainer cover | 1 | A,B | Q,R |
| | *50797 | . Screw - Fuel strainer cover | 1 | D | E,F,G,H,J,K,L,M,N,P |
| 8 | 50798 | . Gasket - Cover screw | 1 | D | E,F,G,H,J,K,L,M,N,P |
| 9 | 51599 | . Cover - Fuel strainer | 1 | A,B, | Q,R |
| | 50796 | . Cover - Fuel strainer | 1 | D | E,F,G,H,J,K,L,M,N,P |
| 10 | 51704 | . Gasket - Fuel strainer | 1 | A,B,C,D | E,F,G,H,J,K,L,M,N,P |
| 11 | *51504 | . Element - Fuel strainer | 1 | A,B, | |
| | *50795 | . Element - Fuel filter | 1 | D | E,F,G,H,J,K,L,M,N,P |
| 12 | 51597 | . Screw - Fil hd 6-32 x 3/4 in. lg | 6 | A,B,C,D | ALL |
| 13 | 51596 | . Body - Fuel pump | 1 | A,B | Q,R |
| | 50670 | . Body - Fuel pump | 1 | D | E,F,G,H,J,K,L,M,N,P |
| 14 | 51595 | . Diaphragm - Fuel pump (Not available - Order Diaphragm P/N 57574).. | 1 | A,B | Q |
| | 51595A | . Diaphragm - Fuel pump (Not available - Order Diaphragm P/N 57574).. | 1 | C | E,H,J,M,R |
| | *57574 | . Diaphragm - Fuel pump | 1 | D | F,G,K,L,N,P |
| 15 | 51594 | . Gasket - Fuel pump | 1 | A,B,C,D | ALL |
| 16 | 51592 | . Cover - Diaphragm | 1 | A,B,C,D | ALL |
| 17 | *51590 | . Diaphragm | 1 | A,B,C,D | ALL |
| 18 | 51591 | . Gasket - Diaphragm | 1 | A,B,C,D | ALL |
| 19 | *51702 | . Needle - Idle adjustment | 1 | A,B,C,D | E,F,G,L,M,N,P |
| 20 | *51712 | . Needle - Main adjustment | 1 | A,B,C,D | E,F,G,L,M,N,P |
| 21 | 51703 | . "O" Ring - Adjustment needle | 2 | A,B,C,D | E,F,G,H,J,K,L,M,N,P |
| 22 | 51589 | . Screw | 1 | A,B,C,D | ALL |
| 23 | *51710 | . Pin - Fulcrum | 1 | A,B,C,D | ALL |
| 24 | *51709 | . Lever - Inlet control | 1 | A,B,C,D | ALL |
| 25 | *51711 | . Spring - Inlet tension | 1 | A,B,C,D | ALL |
| 26 | 51707 | . Needle, Seat and Gasket Assembly (Not available - Order Needle, Seat and Gasket Assembly P/N 51707A) | 1 | A,B,C | E,F,H,J,K,M |
| | *51707A | . Needle, Seat and Gasket Assembly | 1 | D | G,L,N,P |
| 27 | 51708 | . Gasket - Inlet Seat | 1 | A,B,C,D | ALL |
| 28 | *51721 | . Screw - Sems | 1 | A,B,C,D | G,M,N,P |
| 29 | 51587 | . Shutter - Choke | 1 | A,B,C,D | E,F,G,H,M,N,P |
| 30 | 51585 | . Shaft - Choke | 1 | A,B,C,D | N,P |
| 31 | 51586 | . Spring - Choke shaft | 1 | A,B,C | G,N,P |

*Indicates this part is contained in the Repair Parts Kit.

This list is continued on page 5

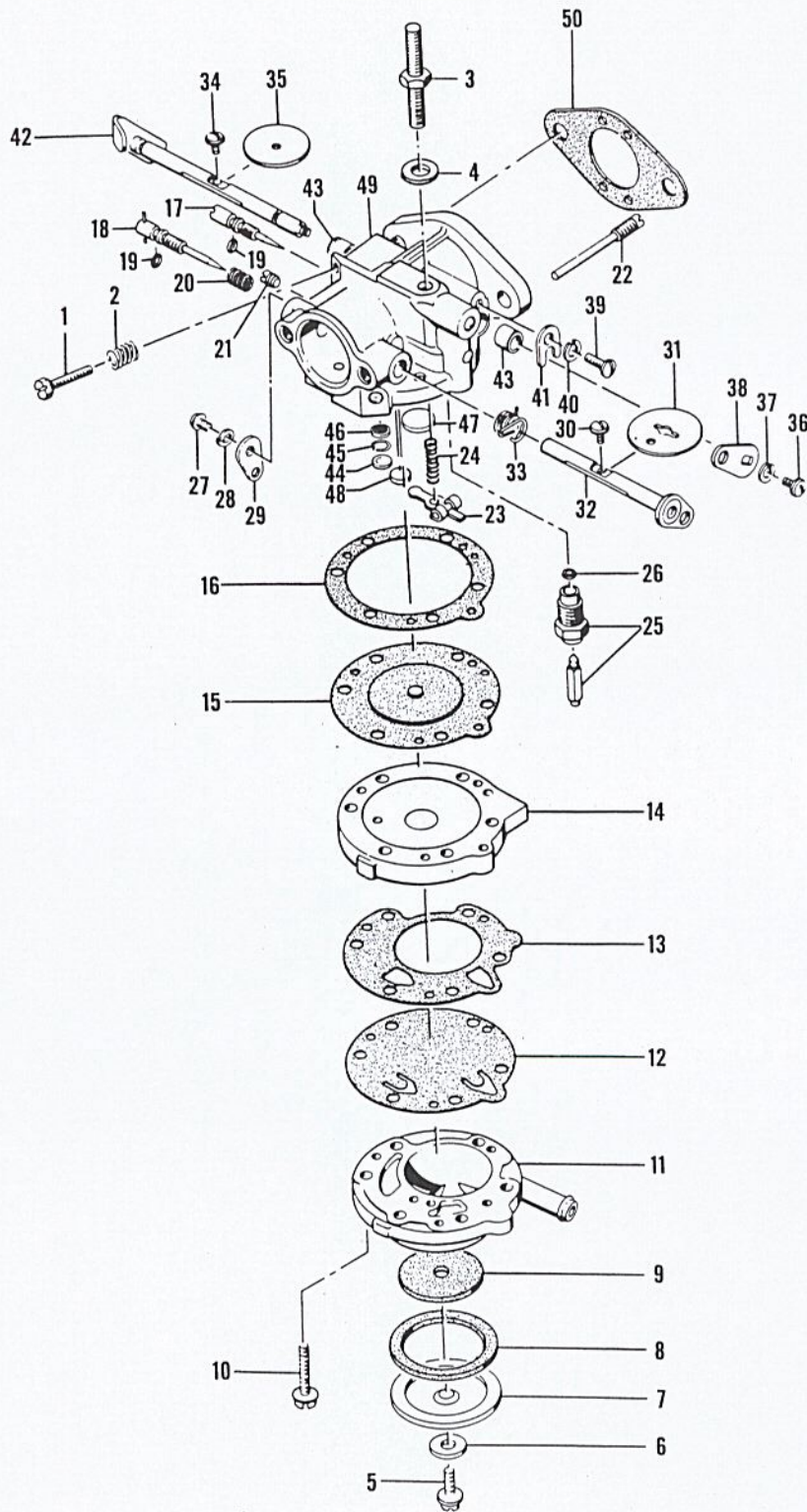


Figure 2. Carburetors, Part Number 50687, 50687A, 50687B, 50687C, 48730, 57182, 57182A, 57182B and 55874.

FIGURE 1. CARBURETORS, P/N 51548, 51984, 51984A AND 51984B (CONT)

| Index No. | McCulloch P/N | Name of Part | No. Req. | Used on | |
|-----------|---------------|---|----------|-------------|------------------------------|
| | | | | These Codes | Also Used on Codes |
| | *55511 | . Spring - Choke shaft | 1 | D | E, F, H, M |
| 32 | *51721 | . Screw - Sems | 1 | A, B, C, D | E, F, G, H, J, K, L, M, N, P |
| 33 | 51720 | . Shutter - Throttle | 1 | A, B, C, D | E, F, G, H, J, K, L, M, N, P |
| 34 | *51719 | . Screw - Throttle | 1 | A, B, C, D | E, F, G, H, J, K, L, M, N, P |
| 35 | *100261 | . Lockwasher - No. 4 | 1 | A, B, C, D | E, F, G, H, J, K, L, M, N, P |
| 36 | 51718 | . Lever - Throttle | 1 | A, B, C | |
| | 57893 | . Lever - Throttle | 1 | D | |
| 37 | 51593 | . Spring - Tension | 1 | A | |
| 38 | 51717 | . Screw - Throttle shaft | 1 | A, B, C, D | ALL |
| 39 | 100252 | . Lockwasher | 1 | A, B, C, D | ALL |
| 40 | 51716 | . Clip - Throttle shaft | 1 | A, B, C, D | ALL |
| 41 | 51714 | . Shaft - Throttle | 1 | A | |
| | 55512 | . Shaft Assembly - Throttle | 1 | B, C, D | |
| | 51588 | . Carburetor Body Assembly (Not available - Order Body Assembly P/N 51588B) | 1 | A | |
| | 51588A | . Carburetor Body Assembly (Not available - Order Body Assembly P/N 51588B) | 1 | B, C | |
| | 51588B | . Carburetor Body Assembly | 1 | D | |
| 42 | 51715 | . Bushing | 2 | A, B, C, D | ALL |
| 43 | *51582 | . Plug | 1 | A, B, C | E, F, H, J, K, M, Q, R |
| | *57653 | . Plug - Cup | 1 | D | G, L, N, P |
| 44 | 57652 | . Ring - Retaining | 1 | D | G, L |
| 45 | 57651 | . Screen - Carburetor body | 1 | D | G, L |
| 46 | *51583 | . Plug - Welch 3/8 in. | 1 | A, B, C, D | ALL |
| 47 | *51584 | . Plug - Welch 1/4 in. | 1 | A, B, C, D | E, F, G, H, J, K, L, M, N, P |
| 48 | | . Body - Carburetor (Order Body Assembly P/N 51588B) .. | 1 | A, B, C, D | |
| 49 | 51161C | Gasket - Carburetor | 1 | A, B, C, D | E, F, G, H, J, K, L, M, N, P |
| | *55513 | Gasket and Packing Set | 1 | A, B, C | |
| | *50806 | Gasket and Packing Set | 1 | D | E, F, G, H, J, K, L, M, N, P |
| | 55514 | Repair Parts Kit | 1 | A, B, C, | |
| | 53193 | Repair Parts Kit | 1 | D | |

*Indicates this part is contained in the Repair Parts Kit.

FIGURE 2. CARBURETORS, P/N 50687, 50687A, 50687B, 50687C, 48730, 57182, 57182A, 57182B AND 55874

| Index No. | McCulloch P/N | Name of Part | No. Req. | Used on | |
|-----------|---------------|--------------|----------|-------------|--------------------|
| | | | | These Codes | Also Used on Codes |

Code: "E" indicates parts used on Carburetor P/N 50687 and 50687A (HL63A and HL63B).

"F" indicates parts used on Carburetor P/N 50687B (HL63C).

"G" indicates parts used on Carburetor P/N 50687C (HL63D).

"H" indicates parts used on Carburetor P/N 48730 (HL63BX).

"J" indicates parts used on Carburetor P/N 57182 (HL87A).

"K" indicates parts used on Carburetor P/N 57182A (HL87B).

"L" indicates parts used on Carburetor P/N 57182B (HL87C).

"M" indicates parts used on Carburetor P/N 55874 (HL103A).

"N" indicates parts used on Carburetor P/N 55874A (HL103B).

"P" indicates parts used on Carburetor P/N 55874B (HL103C).

"ALL" indicates parts used on all carburetors in this Illustrated Parts List.

50687 Tillotson Carburetor Assembly HL63A (Replaced by P/N 50687A)

50687A Tillotson Carburetor Assembly HL63B (Replaced by P/N 50687B)

E

This list is continued on page 6

**FIGURE 2. CARBURETORS, P/N 50687, 50687A, 50687B, 50687C,
48730, 57182, 57182A, 57182B AND 55874 (CONT)**

| Index No. | McCulloch P/N | Name of Part | No. Req. | Used on These Codes | Also Used on Codes |
|-----------|---------------|---|----------|---------------------|------------------------------|
| | 50687B | Tillotson Carburetor Assembly HL63C (Very few units made - Replaced by P/N 50687C) | | F | |
| | 50687C | Tillotson Carburetor Assembly HL63D | | G | |
| | 48730 | Tillotson Carburetor Assembly HL63BX (Replaced by P/N 48730A - See figure 3) | | H | |
| | 57182 | Tillotson Carburetor Assembly HL87A (Replaced by P/N 57182A) | | J | |
| | 57182A | Tillotson Carburetor Assembly HL87B (Very few units made - Replaced by P/N 57182B) | | K | |
| | 57182B | Tillotson Carburetor Assembly HL87C | | L | |
| | 55874 | Tillotson Carburetor Assembly HL103A (Replaced by P/N 55874A) | | M | |
| | 55874A | Tillotson Carburetor Assembly HL103B (Replaced by P/N 55874B) | | N | |
| | 55874B | Tillotson Carburetor Assembly HL103C | | P | |
| 1 | *50799 | . Screw - Idle speed regulating | 1 | | E, F, G, H, J, K, L, M, N, P |
| 2 | *51705 | . Spring - Idle speed | 1 | ALL | E, F, G, H, J, K, L, M, N, P |
| 3 | 50785 | . Stud - Air cleaner attaching | 1 | | E, F, G, J, K, L |
| 4 | 50786 | . Gasket - Air cleaner attaching stud (Not available - order Gasket P/N 50786A) | 1 | | E, J |
| | 50786A | . Gasket - Air cleaner attaching stud | 1 | | G, L |
| 5 | *50797 | . Screw - Fuel strainer cover retaining | 1 | D | E, F, G, H, J, K, L, M, N, P |
| 6 | 50798 | . Gasket - Fuel strainer cover retaining | 1 | D | E, F, G, H, J, K, L, M, N, P |
| 7 | 50796 | . Cover - Fuel strainer | 1 | D | E, F, G, H, J, K, L, M, N, P |
| 8 | 51704 | . Gasket - Fuel strainer | 1 | A, B, C, D | E, F, G, H, J, K, L, M, N, P |
| 9 | *50795 | . Element - Fuel strainer | 1 | D | E, F, G, H, J, K, L, M, N, P |
| 10 | 51597 | . Screw - Fil hd 6-32 x 3/4 in. lg | 6 | ALL | E, F, G, H, J, K, L, M, N, P |
| 11 | 50670 | . Body - Fuel pump | 1 | D | E, F, G, H, J, K, L, M, N, P |
| 12 | 51595A | . Diaphragm - Fuel pump (Not available - Order Diaphragm P/N 57574) | 1 | C | E, H, J, M |
| | *57574 | . Diaphragm - Fuel pump | 1 | D | F, G, K, L, N, P |
| 13 | 51594 | . Gasket - Fuel pump | 1 | ALL | E, F, G, H, J, K, L, M, N, P |
| 14 | 51592 | . Cover - Diaphragm | 1 | ALL | E, F, G, H, J, K, L, M, N, P |
| 15 | *51590 | . Diaphragm | 1 | ALL | E, F, G, H, J, K, L, M, N, P |
| 16 | 51591 | . Gasket - Diaphragm | 1 | ALL | E, F, G, H, J, K, L, M, N, P |
| 17 | *51702 | . Needle - Idle adjustment | 1 | A, B, C, D | E, F, G, L, M, N, P |
| | 55645 | . Needle - Idle adjustment (Includes "O" Ring P/N 51703) | 1 | | H, J, K |
| 18 | *51712 | . Needle - Main adjustment | 1 | A, B, C, D | E, F, G, L, M, N, P |
| | 48731 | . Needle - Main adjustment | 1 | | H |
| | 55644 | . Needle - Main adjustment (includes "O" Ring P/N 51703) | 1 | | J, K |
| 19 | 51703 | . "O" Ring - Adjustment needle | 2 | A, B, C, D | E, F, G, H, J, K, L, M, N, P |
| 20 | 48741 | . Spring - Main adjustment needle | 1 | | H |
| 21 | 51589 | . Screw | 1 | ALL | E, F, G, H, J, K, L, M, N, P |
| 22 | *51710 | . Pin - Fulcrum | 1 | ALL | E, F, G, H, J, K, L, M, N, P |
| 23 | *51709 | . Lever - Inlet control | 1 | ALL | E, F, G, H, J, K, L, M, N, P |
| 24 | *51711 | . Spring - Inlet tension | 1 | ALL | E, F, G, H, J, K, L, M, N, P |
| 25 | 51707 | . Needle, Seat and Gasket Assembly (Not available - Order Assembly P/N 51707A) | 1 | A, B, C | E, F, H, J, K, M |
| | *51707A | . Needle, Seat and Gasket Assembly | 1 | D | G, L, N, P |
| 26 | 51708 | . Gasket - Inlet seat | 1 | ALL | E, F, G, H, J, K, L, M, N, P |
| 27 | 51719 | . Screw - Choke | 1 | | E, H |
| | 51721 | . Screw - Sems | 1 | A, B, C, D | G, M, N, P |
| 28 | 100261 | . Lockwasher - No. 4 | 1 | | E, H |

*Indicates this part is also contained in Repair Parts Kit.

This list is continued on page 7

**FIGURE 2. CARBURETORS, P/N 50687, 50687A, 50687B, 50687C,
48730, 57182, 57182A, 57182B AND 55874 (CONT)**

| Index No. | McCulloch P/N | Name of Part | No. Req. | Used on These Codes | Also Used on Codes |
|-----------|---------------|---|----------|---------------------|------------------------------|
| 29 | 51546 | Lever - Choke | 1 | | E, H |
| 30 | 51721 | Screw - Sems | 1 | A, B, C, D | E, H, M |
| 31 | 51587 | Shutter- Choke | 1 | A, B, C, D | E, F, G, H, M, N, P |
| 32 | 50789 | Shaft and Lever - Choke | 1 | | E, F, G, H, M |
| | 51585 | Shaft Assembly - Choke | 1 | A, B, C, D | N, P |
| 33 | *55511 | Spring - Torsion choke shutter retaining | 1 | D | E, F, H, M |
| | 51586 | Spring - Torsion choke shutter retaining | 1 | A, B, C | G, N, P |
| 34 | *51721 | Screw - Sems | 1 | A, B, C, D | E, F, G, H, J, K, L, M, N, P |
| 35 | 51720 | Shutter - Throttle | 1 | A, B, C, D | E, F, G, H, J, K, L, M, N, P |
| 36 | *51719 | Screw - Throttle | 1 | A, B, C, D | E, F, G, H, J, K, L, M, N, P |
| 37 | *100261 | Lockwasher - No. 4 | 1 | A, B, C, D | E, F, G, H, J, K, L, M, N, P |
| 38 | 50804 | Lever - Throttle | 1 | | E, F, G, H, J, K, L, M, N, P |
| 39 | 51717 | Screw - Throttle shaft | 1 | ALL | E, F, G, H, J, K, L, M, N, P |
| 40 | 100252 | Lockwasher | 1 | ALL | E, F, G, H, J, K, L, M, N, P |
| 41 | 51716 | Clip - Throttle shaft | 1 | ALL | E, F, G, H, J, K, L, M, N, P |
| 42 | 50803 | Throttle shaft and Lever | 1 | | E, F, G, H, J, K, L, M, N, P |
| | 50779A | Carburetor Body Assembly (Not available - Order Body Assembly P/N 50779B) | 1 | | E, F |
| | 50779B | Carburetor Body Assembly | 1 | | G |
| | | Carburetor Body Assembly (Not available - See Bulletin K102) | 1 | | H |
| | 57282 | Carburetor Body Assembly (Not available - Order Body Assembly P/N 57282A) | 1 | | J, K |
| | 57282A | Carburetor Body Assembly | 1 | | L |
| | 55880 | Carburetor Body Assembly (Not available - Order Body Assembly P/N 55880A) | 1 | | M, N |
| | 55880A | Carburetor Body Assembly | 1 | | P |
| 43 | 51715 | Bushing | 2 | ALL | E, F, G, H, J, K, L, M, N, P |
| 44 | *51582 | Plug | 1 | A, B, C, Q, R | E, F, H, J, K, M |
| | 57653 | Plug | 1 | D | G, L, N, P |
| 45 | 57652 | Ring - Retaining | 1 | D | G, L |
| 46 | 57651 | Screen - Carburetor body | 1 | D | G, L |
| 47 | *51583 | Plug - Welch 3/8 in. | 1 | ALL | E, F, G, H, J, K, L, M, N, P |
| 48 | *51584 | Plug - Welch 1/4 in. | 1 | A, B, C, D | E, F, G, H, J, K, L, M, N, P |
| 49 | | Body - Carburetor (Order Body Assembly P/N 50779B) .. | 1 | | E, F, G |
| | | Body - Carburetor (Not available - See Bulletin K102) | 1 | | H |
| | | Body - Carburetor (Order Body Assembly P/N 57282A) .. | 1 | | J, K, L |
| | | Body - Carburetor (Order Body Assembly P/N 55880A) .. | 1 | | M, N, P |
| 50 | 51161C | Gasket - Carburetor | 1 | A, B, C, D | E, F, G, H, J, K, L, M, N, P |
| | *50806 | Gasket and Packing Set | 1 | D | E, F, G, H, J, K, L, M, N, P |
| | 50807 | Repair Parts Kit | 1 | | E, F, G, H, J, K, L, M, N, P |

*Indicates this part is contained in the Repair Parts Kit.

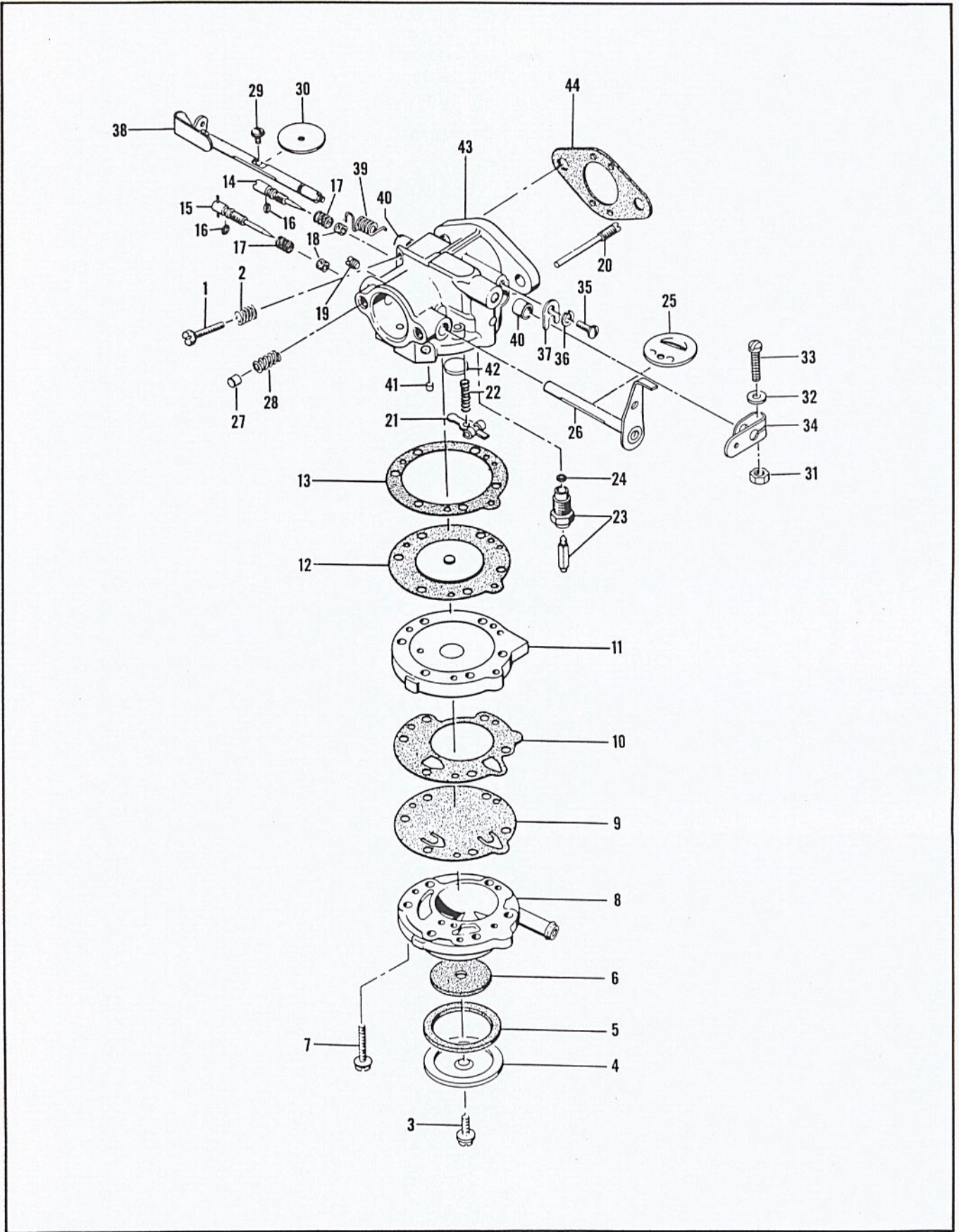


Figure 3. Carburetors Part Number 48730A and 48730B

FIGURE 3. CARBURETORS, P/N 48730A AND 48730B

| Index No. | McCulloch P/N | Name of Part | No. Reg. | Used on These Codes | Also Used on Codes |
|-----------|---------------|---|----------|---------------------|--------------------|
| | 48730A | Tillotson Carburetor Assembly HL93A (Replaced by P/N 48730B) | | Q | |
| | 48730B | Tillotson Carburetor Assembly HL93B (Replaced by McCulloch Carburetor P/N 48811) | | R | |
| 1 | *48767 | . Screw - Idle speed regulating | 1 | Q,R | |
| 2 | *51705 | . Spring - Idle speed | 1 | Q,R | ALL |
| 3 | *51701 | . Screw - Fuel strainer cover | 1 | Q,R | A,B |
| 4 | 51599 | . Cover - Fuel strainer | 1 | Q,R | A,B |
| 5 | 48762 | . Gasket - Fuel strainer cover | 1 | Q,R | |
| 6 | *48761 | . Screen - Fuel strainer | 1 | Q,R | |
| 7 | 51597 | . Screw - Fil hd 6-32 x 3/4 in. lg | 6 | Q,R | ALL |
| 8 | 51596 | . Body - Fuel pump | 1 | Q,R | A,B |
| 9 | 51595 | . Diaphragm - Fuel pump (Not available - Order Diaphragm P/N *57574) | 1 | Q | A,B |
| | 51595A | . Diaphragm - Fuel pump (Not available - Order Diaphragm P/N *57574) | 1 | R | C,E,H,J,M,R |
| 10 | 51594 | . Gasket - Fuel pump | 1 | Q,R | ALL |
| 11 | 51592 | . Cover - Diaphragm | 1 | Q,R | ALL |
| 12 | *51590 | . Diaphragm | 1 | Q,R | ALL |
| 13 | 51591 | . Gasket - Diaphragm | 1 | Q,R | ALL |
| 14 | *48763 | . Screw - Idle adjustment | 1 | Q,R | |
| 15 | *48769 | . Screw - Main adjustment | 1 | Q,R | |
| 16 | *48771 | . Washer - Adjustment screw | 2 | Q,R | |
| 17 | *48770 | . Spring - Adjustment screw | 2 | Q,R | |
| 18 | 48772 | . Packing - Adjustment screw | 2 | Q,R | |
| 19 | 51589 | . Screw | 1 | Q,R | ALL |
| 20 | *51710 | . Pin - Fulcrum | 1 | Q,R | ALL |
| 21 | *51709 | . Lever- Inlet control | 1 | Q,R | ALL |
| 22 | *51711 | . Spring - Inlet tension | 1 | Q,R | ALL |
| 23 | *48768 | . Needle, Seat and Gasket - Inlet | 1 | Q,R | |
| 24 | 51708 | . Gasket - Inlet seat | 1 | Q,R | ALL |
| 25 | 48757 | . Shutter - Choke | 1 | Q,R | |
| 26 | 48756 | . Shaft and Lever - Choke | 1 | Q,R | |
| 27 | 48758 | . Pin - Choke friction | 1 | Q,R | |
| 28 | 48759 | . Spring - Choke friction | 1 | Q,R | |
| 29 | *48780 | . Screw and Lockwasher - Throttle shutter | 1 | Q,R | |
| 30 | 48779 | . Shutter - Throttle | 1 | Q,R | |
| 31 | 48778 | . Nut - Throttle lever retaining screw .. | 1 | Q,R | |
| 32 | 48777 | . Washer - Throttle lever retaining screw | 1 | Q,R | |
| 33 | 48776 | . Screw and Lockwasher - Throttle lever retaining | 1 | Q,R | |
| 34 | 48775 | . Lever - Throttle | 1 | Q,R | |
| 35 | 51717 | . Screw - Throttle shaft | 1 | Q,R | ALL |
| 36 | 100252 | . Lockwasher | 1 | Q,R | ALL |
| 37 | 51716 | . Clip - Throttle shaft | 1 | Q,R | ALL |
| 38 | 48773 | . Shaft and Lever - Throttle | 1 | Q,R | |
| 39 | *48774 | . Spring - Throttle shaft return | 1 | Q,R | |

*Indicates this part is contained in Repair Parts Kit.

This list is continued on page 10

FIGURE 3. CARBURETORS, P/N 48730A AND 48730B (CONT)

| Index No. | McCulloch P/N | Name of Part | No. Req. | Used on These Codes | Also Used on Codes |
|-----------|---------------|--|----------|---------------------|--------------------|
| | 48782 | Carburetor Body Assembly | 1 | Q,R | |
| 40 | 51715 | Bushing | 2 | Q,R | ALL |
| 41 | *51582 | Plug | 1 | Q,R | A,B,C,E,F,H,J,K,M |
| 42 | *51583 | Plug - Welch 3/8 in. | 1 | Q,R | ALL |
| 43 | | Body - Carburetor (Not available - Order Body Assembly P/N 48782) .. | 1 | Q,R | |
| 44 | 48760 | Gasket - Flange | 1 | Q,R | |
| | *48781 | Gasket and Packing Set | 1 | Q,R | |
| | 48784 | Repair Parts Kit | 1 | Q,R | |

*Indicates this part is contained in Repair Parts Kit.

TABLE SHOWING TILLOTSON CARBURETOR USAGE

| McCulloch Part No. | Tillotson Part No. | Used on Models | Remarks |
|-------------------------------------|----------------------------------|---|--|
| 48730 | HL63BX | MC-5 | First 6000 units only. Replaced by 48730A (HL93A). |
| 48730A 48730B | HL93A | MC-5, MC-6 | Serial MC-5 6001 and up. Used as replacement for 48730A. Used on early MC-6 engines. Replaced by McCulloch Carburetor 48811. |
| 50687 50687A 50687B 50687C | HL63A HL63B HL63C HL63D | D-30, D-36, 1-40,1-50, 1-60, 1-51, 1-61, 1-52, 1-62 | These carburetors are similar but not alike. Use 50687C (HL63D) as replacement. |
| 51548 | HL19B and HL19C | D44, S44, 55, S55 | Replaced by 51984 (HL19D). |
| 51984 51984A | HL19D | S44A, S55A | Replaced by 51984B (HL19E). |
| 51984B | HL19E | 1-72, 1-82, 1-85 | Used as replacement for 51548 (HL19B and HL19C) and 51984 and 51984A (HL19D). |
| 55874 55874A 55874B | HL103A HL103B HL103C | 1-71, 1-81 | Use 55874B (HL103C) as replacement. |
| 57182 57182A | HL87A HL87B | 1-41 | Replaced by 57182B (HL87C). |
| 57182B | HL87C | 1-42 | Use as replacement for 57182 (HL87A) and 57182A (HL87B). |